



# Pneumatic Valve Products

Air Control Valves, Flow Controls & Accessories

Catalog 0600P-13



ENGINEERING YOUR SUCCESS.



**Distributor Network, Warning, Offer of Sale****DISTRIBUTION NETWORK**

**At Parker, we have the largest global distribution network in motion and control, with over 7,500 distributors serving more than 422,000 customers.**

**To find the distributor nearest you, please visit our DISTRIBUTOR LOCATOR at <http://www.parker.com/pneu/distributor>**



**ENGINEERING YOUR SUCCESS.**

**⚠ WARNING**

**FAILURE OR IMPROPER SELECTION OR IMPROPER USE OF THE PRODUCTS AND/OR SYSTEMS DESCRIBED HEREIN OR RELATED ITEMS CAN CAUSE DEATH, PERSONAL INJURY AND PROPERTY DAMAGE.**

This document and other information from Parker Hannifin Corporation, its subsidiaries and authorized distributors provide product and/or system options for further investigation by users having technical expertise. It is important that you analyze all aspects of your application including consequences of any failure, and review the information concerning the product or system in the current product catalog. Due to the variety of operating conditions and applications for these products or systems, the user, through its own analysis and testing, is solely responsible for making the final selection of the products and systems and assuring that all performance, safety and warning requirements of the application are met.

The products described herein, including without limitation, product features, specifications, designs, availability and pricing, are subject to change by Parker Hannifin Corporation and its subsidiaries at any time without notice.

**Offer of Sale**

The items described in this document are hereby offered for sale by Parker Hannifin Corporation, its subsidiaries or its authorized distributors. This offer and its acceptance are governed by the provisions stated on the separate page of this document entitled "Offer of Sale".





**Product Index,  
Engineering Data**

**A**

Product Index  
Engineering Data

**Direct Acting Valves**

***XM Series, 15mm Solenoid Valve***

**B**

Direct Acting  
Valves

**Inline Valves**

***Viking Lite Series, Viking Xtreme Series,  
"B" Series, Air Saver Unit, ADEX Series,  
"N" Series***

**C**

Inline Valves

**Subbase & Manifolds Valves**

***H Series Micro, Moduflex Series,  
H Series ISO, Fieldbus Systems,  
"DX" ISOMAX Series, Valvair II Series***

**D**

Subbase & Manifold  
Valves

**Manual Mechanical Valves**

***Directair 2 & 4 Series, Viking Xtreme  
Manual Series, "42" Lever / Pedal Series,  
"MO" Series, Safety, Brass Poppet /  
Sliding Seal / "PL" / "VL" / "HV" Series,  
Control Panel Products, Sensing Products***

**E**

Manual / Mechanical  
Valves

**Accessories**

***Flow Controls, Check Valves, Mufflers,  
Quick Exhaust & Shuttle Valves, Tank Valves,  
Breather Vents, Silencers, Blocking Valves,  
Blow Guns, Integrated Fittings***

**F**

Accessories

**Part Number Index, Safety  
Guide, Offer of Sale**

**G**

Page Number Index,  
Safety Guide,  
Offer of Sale



For inventory, lead time, and kit lookup, visit [www.pdnplu.com](http://www.pdnplu.com)



**A**

Product Index  
Engineering Data

Product Index

Engineering Data

## Direct Acting Valves

### XM Series - Direct Acting



**B2**

- Inline or stacking
- 1/8 inch ports
- Pressures 0 to 125 PSIG
- Temperatures 32°F to 125°F
- Flow - .15 Cv

### 15mm Series - Direct Acting



**B9**

- Subbase or manifold
- 1/8 inch ports
- Pressures VAC to 145 PSIG
- Temperatures 5°F to 140°F
- Flow - .033 to .05 Cv

## Inline Valves

### Viking Lite Series Valves



**C2**

- Inline or bar manifold
- 1/8 through 3/8 inch ports
- Pressures 22 to 145 PSIG
- Temperatures 14°F to 122°F
- Flow - .6 to 2.5 Cv

### Viking Xtreme Series Valves



**C11**

- Inline or bar manifold
- 1/8 through 1/2 inch ports
- Pressures VAC to 232 PSIG
- Temperatures -40°F to 140°F
- Flow - .7 to 2.7 Cv

### B Series Valves



**C41**

- Inline, subbase or bar manifold
- 1/8 through 3/4 inch ports
- Pressures VAC to 145 PSIG
- Temperatures 5°F to 120°F
- Flow - .75 to 7.0 Cv

### Air Saver Valve Units



**C74**

- Large reduction in air consumption
- Savings in compressor power consumption
- Reduction in plant CO<sup>2</sup> emissions
- Big contribution to energy-saving activities
- Improved efficiency

### ADEX Series Valves



**C83**

- Inline, subbase or bar manifold
- M3, M5, 1/8 inch ports
- Pressures VAC to 100 PSIG
- Temperatures 32°F to 122°F
- Flow - .1 to .47 Cv

### N Series - Inline Poppet Valves



**C96**

- Inline mounted
- 3/8 through 1-1/2 inch ports
- Pressures 30 to 250 PSIG
- Temperatures 0°F to 200°F
- Flow - 3.6 to 29.9 Cv



For inventory, lead times, and kit lookup, visit [www.pdnplu.com](http://www.pdnplu.com)



## Subbase & Manifold Valves

### H Series Micro Valve



D2

- Subbase or manifold
- 4mm through 1/4 tube
- Pressures VAC to 145 PSIG
- Temperatures 5°F to 120°F
- Flow - .35 Cv

## Manual / Mechanical Valves

### Directair 2 & 4



E2

- Manual / mechanical
- 1/8 and 1/4 inch ports
- Pressures VAC to 150 PSIG
- Temperatures 32°F to 175°F
- Flow - .20 to .84 Cv

### Moduflex Series Valves



D28

- Inline or stacking
- 4mm tube, 1/4, 3/8 inch ports
- Pressures VAC to 120 PSIG
- Temperatures 5°F to 140°F
- Flow - .18 to .80 Cv

### Viking Xtreme Lever Series



E14

- Manual / mechanical
- 1/8, 1/4 and 3/8 inch ports
- Pressures:
  - Type A & B - VAC to 232 PSIG
  - Type C & D - VAC to 174 PSIG
- Temperatures -40°F to 140°F
- Flow - .5 to 2.7 Cv

### H Series ISO Valve



D72

- Subbase or manifold
- 1/8 through 3/4 inch ports
- Pressures VAC to 145 PSIG
- Temperatures 5°F to 120°F
- Flow - .55 to 6.0 Cv

### 42 Lever / Pedal Series



E21

- Manual / mechanical
- 1/4 and 3/8 inch ports
- Pressures VAC to 150 PSIG
- Temperatures 0°F to 140°F
- Flow - 1.3 to 2.9 Cv

### Fieldbus Systems



D138

- Fieldbus interface for H Series and Moduflex valves
- Up to 256 inputs
- Up to 256 outputs
- Digital or analog

### MO Series



E24

- Air Pilot, Manual / mechanical
- 1/4 and 1 inch ports
- Pressures VAC to 225 PSIG
- Temperatures -15°F to 200°F
- Flow - .5 to 1.25 Cv

### DX ISOMAX Series



D203

- Subbase or manifold
- 1/8 through 3/4 inch ports
- Pressures VAC to 145 PSIG
- Temperatures 14°F to 140°F
- Flow - .55 to 4.15 Cv

### Safety



E52

- LV/EZ shut off valves
- Port sizes 3/8 through 1-1/4 inch
- Max. supply pressure 300 PSIG
- Max. operating temperature 175°F
- Cv from 3.7 to 14
- Two hand tiedown controls

### Valvair II Series



D247

- Subbase or manifold
- 3/8 through 1-1/2 inch ports
- Pressures VAC to 225 PSIG
- Temperatures 0°F to 200°F
- Flow - 1.9 to 12.0 Cv

### Brass Poppet, Sliding Seal



E62

- 4-way, 3-position rotary disc, direct air operated valves
- Pressures 0 to 150 PSIG
- Temperatures 18°F to 200°F
- Flow - 2.5 to 6.2 Cv



**A**

Product Index  
Engineering Data

Product Index

Engineering Data

## Manual / Mechanical Valves

### Control Panel Products



E67

- A wide variety of push buttons and selector switches
- Visual indicators
- Foot pedal switches
- Modular pneumatic / electric push buttons

### Sensing / Limit Switches



E77

- Limit switches in a variety of sizes and configurations
- Pressure switches with many adjustable ranges
- Components designed specifically for pneumatic technology using pressure variation, air bleed or blocking for detection

## Accessories

### Flow Control & Check Valves



F2

- Flow controls
  - 1/8 to 1-1/2 inch ports
- Check valves
  - 1/8 to 3/4 inch ports

### Misc Accessories



F14

- Exhaust mufflers
- Quick exhaust & shuttle valves
- Blocking valves
- Threshold valves
- Tank valves
- Blow guns

### Integrated Fittings



F25

- Flow controls
- Check valves
- Blocking valves

## Part Number Index, Safety Guides, Offer of Sale

G2

- Part Number to Page Number Index
- Safety Guide
- Offer of Sale

# PNEUMATIC DIVISION E-TOOLS

A
Product Index Engineering Data
Product Index
Engineering Data

## Pneumatic Division Part Lookup Tool

### Part Lookup Tool Overview

The purpose of this application is to provide users with more in depth detail, such as replacement kits or current inventory for specific pneumatic part numbers. The tool also provides cross reference information for products that have been previously obsoleted. Searches can be made by searching a portion or all of a part number. Use the drop down options available to narrow your search.



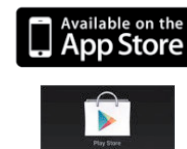
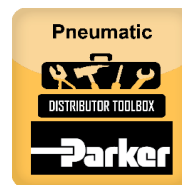
### Part Lookup Tool Contents

- Replacement KITS by part number
- Obsolete cross reference
- Inventory/stock levels
- Pricing (with distributor login only)
- Bulk part search
- Shipping location
- Lead time

### How to access the Tool

U.S. Parker Pneumatic Distributors

- [www.pdnpartlookup.com](http://www.pdnpartlookup.com)
- Or download the “Distributor Toolbox” app



Guest Users

- [www.pdnplu.com](http://www.pdnplu.com)

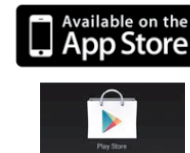
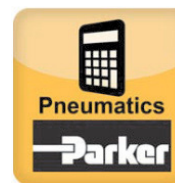
## Pneumatic Division Size & Selection Calculators

### Size, Selection and Cost of Air Calculators Overview

The purpose of this application is to provide users and designers of pneumatic systems with a handy collection of compressed air cost calculators, conversion tools and air valve (Cv) and flow (SCFM) calculations for air cylinder actuation. The size and select calculators are available to anyone for use. See details below.

### How to access the Tool

- [www.parkerpdncalc.com](http://www.parkerpdncalc.com)
- Or download the “Pneumatics” calculator app



### Calculator Contents

- Cost calculator for leaks
- Cost calculator for compressors
- Cost calculator for reverse flow regulators
- Vacuum flow through an orifice
- Air flow through an orifice
- Annual cost of air cylinder operation
- Valve/FRL sizing for cylinder actuation
- And more!



For inventory, lead time, and kit lookup, visit [www.pdnplu.com](http://www.pdnplu.com)

**A**

Product Index  
Engineering Data

Product Index

Engineering Data

# The Parker 5-Year Extended Warranty

**P**arker Hannifin Corporation will extend its warranty on all pneumatic components to sixty (60) months providing they are correctly installed and protected by Parker pneumatic filters which are properly maintained. Components covered by this warranty include all cylinders, valves and pneumatic automation components manufactured by Parker in any of our global facilities. This warranty covers our components anywhere in the world you may ship your equipment.

Parker's obligation under this warranty is limited to the replacement or repair of any failed components. The buyer understands that the seller will not be liable for any other costs or damages.

The buyers of quality Parker components and filters benefit by having ONE source for all pneumatic needs - Parker.



*Yoon Chung*  
Yoon "Michael" Chung  
President  
Automation Group





## Application Engineering Data

### Engineering Data

<a href="#">Selection Guide</a>	A2
<a href="#">Fluid Power Graphic Symbols</a>	A3
<a href="#">Direct Acting Solenoid Valves</a>	A4
<a href="#">Solenoid Air Pilot Valves</a>	A5-A7
<a href="#">Manual Valves</a>	A8
<a href="#">IP Ratings, Symbols</a>	A9
<a href="#">ISO Mounting Information</a>	A10

**A**

**Product Index  
Engineering Data**

**Product  
Index**

**Engineering  
Data**



For inventory, lead time, and kit lookup, visit [www.pdnplu.com](http://www.pdnplu.com)

**A**

**Product Index  
Engineering Data**

**Product Index**

**Engineering Data**

**Saving Money and Space by Sizing Your Valves Properly**  
This catalog gives you a flow rating (Cv) for each valve in the Parker Hannifin line. You can “plug” your requirements into the following simple formula, and determine the Cv needed to do the job. By not oversizing, you’ll save space and money, and you’ll ensure the valve you select will do the job.

Converting the Job Requirements Into Cv  
(Capacity Co-efficient).

$$Cv = \frac{\text{Cylinder Area (Sq. In.)} \times \text{Stroke (In.)} \times \text{Compression Factor (Table 2)} \times \text{“A” (Table 2)}}{\text{Stroke Time (sec.)} \times 28.8}$$

Let’s work through an example:

We want to extend a 3 1/4" bore cylinder which has a 12" stroke in one second, and we have a supply pressure of 80 PSI to do the work. Here’s what we know:

- Cylinder Area for a 3-1/4" Bore, from Table 1 ..... 8.30 sq. in.
- Cylinder Stroke ..... 12 in.
- Stroke Time Required in Seconds ..... 1 sec.
- Compression Factor at 80 PSI, from Table 2 ..... 6.4
- “A” Constant for 80 PSI, from Table 2 ..... .048

Substituting in the formula, we have:

$$Cv = \frac{8.30 \times 12 \times 6.4 \times .048}{1 \times 28.8} = 1.06$$

Any valve, therefore, which has a Cv of at least 1.06, will extend our cylinder the specified distance in the required time.

**Choosing the Valve “Series”**

Your next step is to choose a basic valve design to do the job. For a quick guide to valve designs, see Table 3.

Having selected the basic valve design, consult the Capacity Co-efficient (Cv) tables which describe the individual valve capacities.

**Selecting the Valve Model, Options and Accessories**

Having determined Cv, series, port size, flow-path configuration (pre-determined by circuit design), and actuation method, you’re ready to choose the exact valve model number.

Read the pertinent catalog pages; note the exact model numbers, options and accessories you want. Then phone or write your Parker Hannifin air valve distributor. They will give you prompt, accurate service.

**Note:** Need circuit design help? Contact your local Parker Hannifin distributor. They are backed up by our regional Sales Engineers and offices. Between them, you’ll find answers to all of your questions.

**Table 1**

**Effective Square-Inch Areas for Standard-Bore-Size Cylinders**

Bore Size	Cylinder Area (Sq. In.)	Bore Size	Cylinder Area (Sq. In.)
3/4"	.44	4"	12.57
1"	.79	4-1/2"	15.90
1-1/8"	.99	5"	19.64
1-1/4"	1.23	6"	28.27
1-1/2"	1.77	7"	38.48
1-3/4"	2.41	8"	50.27
2"	3.14	10"	78.54
2-1/2"	4.91	12"	113.10
3-1/4"	8.30	14"	153.94
3-5/8"	10.32		

**Table 2**

**Compression Factors and “A” Constants**

Inlet Pressure (PSIG)	Compression Factor	“A” Constants for Various Pressure Drop*		
		2 PSI ΔP	5 PSI ΔP	10 PSI ΔP
10	1.6	.152	.103	
20	2.3	.126	.084	.065
30	3.0	.111	.073	.055
40	3.7	.100	.065	.048
50	4.4	.091	.059	.044
60	5.1	.085	.055	.040
70	5.7	.079	.051	.037
80	6.4	.075	.048	.035
90	7.1	.071	.046	.033
100	7.8	.068	.044	.032
110	8.5	.065	.042	.030
120	9.2	.063	.040	.029
130	9.9	.061	.039	.028
140	10.6	.058	.037	.027
150	11.2	.057	.036	.026
160	11.9	.055	.035	.025
170	12.6	.053	.034	.024
180	13.3	.052	.033	.024
190	14.0	.051	.032	.023
200	14.7	.050	.032	.023

**Note:** Use “A” constant at 5 PSI ΔP for most applications. On very critical applications, use “A” at 2 PSI ΔP. You will find in many cases, a 10 PSI ΔP is not detrimental, and can save money and mounting space.

\* Tabulated values are the solution of  $\frac{1}{22.48} \sqrt{\frac{GT}{(P_1 - P_2) P_2}}$  where T is for 68°F and G = 1 for Air.

**Table 3**

**Characteristics of the Major Valve Designs**

<p><b>A. Poppet</b> 3-Way and 4-Way</p>	<ol style="list-style-type: none"> <li>High flow capacities</li> <li>Minimum lubrication requirements</li> <li>Fast response</li> <li>Self-cleaning poppet seats</li> <li>Pressures of 15 to 150 PSIG (modifications for vacuum to 250 PSIG)</li> </ol>
<p><b>B. Spool Valves (WCS)</b> 3-Way and 4-Way</p>	<ol style="list-style-type: none"> <li>Low friction</li> <li>Lower operating pressures</li> <li>Fast response</li> <li>Less wear</li> <li>Long Cycle Life - Under pressure, radial expansion of the seal occurs to maintain sealing contact with the valve bore</li> <li>Non-Lube Service - No lubrication required for continuous valve shifting</li> <li>Bi-Directional Spool Seals - Common spool used for any pressure, including vacuum</li> </ol>
<p><b>C. Packed Bore</b> 4-Way</p>	<ol style="list-style-type: none"> <li>Wide range of flow capacities</li> <li>Wide range of flow-path configurations</li> <li>Pilot-operated models available</li> <li>Pressures of vacuum to 150 PSIG</li> </ol>
<p><b>D. Rotary Or Reciprocating Disc</b> 4-Way, manually operated</p>	<ol style="list-style-type: none"> <li>Inexpensive</li> <li>Versatility in manual actuation</li> </ol>

**Cv – Capacity Co-efficients** (sometimes called Flow Factors). Each flow path through the valve has its own Cv value. All Cv ratings for each valve cataloged on this page are listed on the front side of this sheet.

Q = Flow in Standard Cubic Feet per minute (14.7 PSIA at 60°F)  
 $Cv = \frac{Q}{22.48} \sqrt{\frac{GT}{(P_1 - P_2) P_2}}$   
 P<sub>1</sub> = Inlet Absolute Pressure (gauge pressure + 14.7)  
 P<sub>2</sub> = Outlet Absolute Pressure (gauge pressure + 14.7)  
 Note: P<sub>2</sub> must be greater than .53 x P<sub>1</sub>  
 G = Specific Gravity of flowing medium (Air, G = 1)  
 T = Absolute Temperature of Air (460 + °F)

Cv = Q x “A” (Table 2)



For inventory, lead times, and kit lookup, visit [www.pdnplu.com](http://www.pdnplu.com)

**Air Preparation Units**

Symbol	Description
	Filter / Separator with manual drain
	Filter / Separator with automatic drain
	Oil Removal Filter
	Automatic Drain
	Lubricator less drain
	Lubricator with manual drain
	Lubricator with automatic filling
	Air Line Pressure Regulator adjustable, relieving
	Air Line Pressure Regulator pilot controlled, relieving
	Filter / Regulator (piggyback) manual drain relieving (with gauge)
	Filter / Regulator (piggyback) auto drain relieving
	Air Line Combo F-R-L simplified

**Pneumatic Valves**

Symbol	Description
	Check
	Flow Control
	Relief Valve
	2-Position, 2-Way
	2-Position, 3-Way
	2-Position, 4-Way
	2-Position, 4-Way 5-Ported

**Pneumatic Valves**

Symbol	Description
	3-Position, 4-Way, APB ports closed, center pos.
	3-Position, 4-Way, CE 5-Ported cylinder ports open to exhaust in center position
	3-Position, 4-Way, PC 5-Ported pressure port open to cylinder ports in center position
	Quick Exhaust
	Shuttle

**Valve Actuators**

Symbol	Description
	Manual general symbol
	Push Button
	Lever
	Pedal or Treadle
	Mechanical cam, toggle, etc.
	Spring
	Detent line indicates which detent is in use
	Piezo
	Solenoid
	Internal Pilot Supply
	Remote Pilot Supply complete
	Remote Pilot Supply simplified
	And / Or Composite solenoid and pilot or manual override
	And / Or Composite solenoid and pilot or manual override and pilot

**Cylinders**

Symbol	Description
	Standard double acting
	Single Acting
	Double Rod
	Spring Return
	Ram Type
	Telescope
	Tandem
	Duplex

**Lines and Functions**

Symbol	Description
	Solid Line - Main Line
	Dashed Line - Pilot Line
	Dotted Line - Exhaust or Drain Line
	Center Line - Enclosure Outline
	Lines Crossing (90° intersection not necessary)
	Lines Joining (90° intersection not necessary)
	Lines Joining
	Flow Direction hydraulic medium
	Flow Direction gaseous medium
	Energy Source
	Line with Fixed Restriction
	Line with Adjustable Restriction
	Flexible Line
	Plugged Port, Test Station, Power Take-off
	connected Quick Disconnect Without Checks
	disconnected Quick Disconnect Without Checks
	connected Quick Disconnect With Checks
	disconnected Quick Disconnect With Checks
	connected Quick Disconnect With One Check
	disconnected Quick Disconnect With One Check

**A**

Product Index  
 Engineering Data

Product Index

Engineering Data



For inventory, lead time, and kit lookup, visit [www.pdnplu.com](http://www.pdnplu.com)



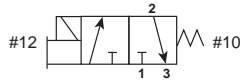
**A**

**Product Index  
Engineering Data**

**Product Index**

**Engineering Data**

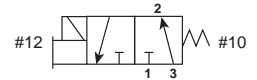
**3-Way, 2-Position,  
Normally Closed**



**De-energized position** – Solenoid #12 de-energized. Pressure at inlet port 1 blocked, outlet port 2 connected to exhaust port 3.

**Energized position** – Solenoid #12 energized. Pressure at inlet port 1 is connected to outlet port 2, exhaust port 3 is blocked.

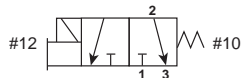
**3-Way, 2-Position,  
Normally Open**



**De-energized position** – Solenoid #12 de-energized. Pressure at inlet port 3 connected to outlet port 2, exhaust port 1 is blocked.

**Energized position** – Solenoid #12 energized. Pressure at inlet port 3 blocked, outlet port 2 connected to exhaust port 1.

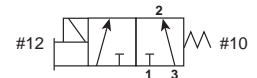
**3-Way, 2-Position,  
Diverter**



**De-energized position** – Solenoid #12 de-energized. Pressure at inlet port 2 connected to outlet port 3. Port 1 is blocked.

**Energized position** – Solenoid #12 energized. Pressure at inlet port 2 is connected to outlet port 1. Port 3 is blocked.

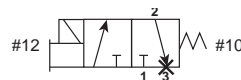
**3-Way, 2-Position,  
Selector**



**De-energized position** – Solenoid #12 de-energized. Pressure at inlet port 1 is blocked. Pressure at inlet port 3 is connected to outlet port 2.

**Energized position** – Solenoid #12 energized. Pressure at inlet port 1 is connected to outlet port 2. Pressure at port 3 is blocked.

**2-Way, 2-Position,  
Normally Closed**

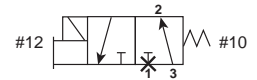


**De-energized position** – Solenoid #12 de-energized. Pressure at inlet port 1 blocked, port 2 is connected to port 3, which is plugged.

**Energized position** – Solenoid #12 energized. Pressure at inlet port 1 is connected to outlet port 2. Port 3 is blocked.

X Plug port 3.

**2-Way, 2-Position,  
Normally Open**

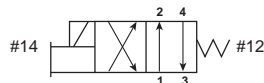


**De-energized position** – Solenoid #12 de-energized. Pressure at inlet port 3 is connected to outlet port 2. Port 1 is blocked.

**Energized position** – Solenoid #12 energized. Pressure at inlet port 3 is blocked. Port 2 is connected to port 1, which is plugged.

X Plug port 1.

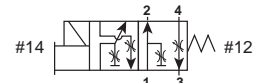
**4-Way, 2-Position**



**De-energized position** – Solenoid #14 de-energized. Pressure at inlet port 1 connected outlet port 2. Outlet port 4 connected to exhaust port 3.

**Energized position** – Solenoid #14 energized. Pressure at inlet port 1 is connected to outlet port 4. Outlet port 2 connected to exhaust port 3.

**4-Way, 2-Position  
with Flow Controls**



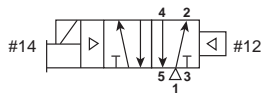
**De-energized position** – Solenoid #14 de-energized. Pressure at inlet port 1 connected outlet port 2. Outlet port 4 connected to exhaust port 3.

**Energized position** – Solenoid #14 energized. Pressure at inlet port 1 is connected to outlet port 4. Outlet port 2 connected to exhaust port 3.

Flow Controls meter exhaust from ports 2 and 4 separately into port 3.



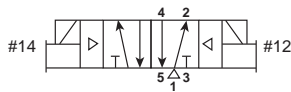
**Single Solenoid**  
**4-Way, 2-Position**



**De-energized position** – Solenoid operator #14 de-energized. Pressure at inlet port 1 connected to outlet port 2. Outlet port 4 connected to exhaust port 5.

**Energized position** – Solenoid operator #14 energized. Pressure at inlet port 1 connected to outlet port 4. Outlet port 2 connected to exhaust port 3.

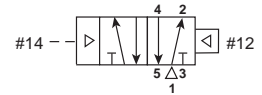
**Double Solenoid**  
**4-Way, 2-Position**



**Solenoid operator #14 energized last.** Pressure at inlet port 1 connected to outlet port 4. Outlet port 2 connected to exhaust port 3.

**Solenoid operator #12 energized last.** Pressure at inlet port 1 connected to outlet port 2. Outlet port 4 connected to exhaust port 5.

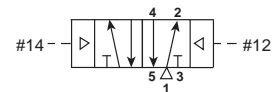
**Single Remote Pilot**  
**4-Way, 2-Position**



**Normal position** – Pressure at inlet port 1 connected to outlet port 2. Outlet port 4 connected to exhaust port 5.

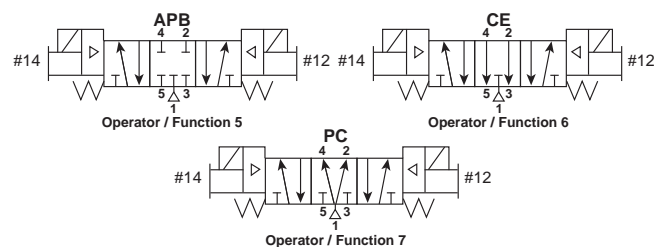
**Operated position** – Maintained air signal at port 14. Pressure at inlet port 1 connected to outlet port 4. Outlet port 2 connected to exhaust port 3.

**Double Remote Pilot**  
**4-Way, 2-Position**



**Momentary air signal at port 14 last.** Pressure at inlet port 1 connected to outlet port 4. Outlet port 2 connected to exhaust port 3.

**Momentary air signal at port 12 last.** Pressure at inlet port 1 connected to outlet port 2. Outlet port 4 connected to exhaust port 5.



**Double Solenoid**  
**4-Way, 3-Position**

**With #12 operator energized** – inlet port 1 connected to cylinder port 2, cylinder port 4 connected to exhaust port 5.

**With #14 operator energized** – inlet port 1 connected to cylinder port 4, cylinder port 2 connected to exhaust port 3.

**Function 5: All Ports Blocked**  
 All ports blocked in the center position.

**Function 6: Center Exhaust**  
 Cylinder ports 2 and 4 connected to exhaust ports 3 and 5 in center position. Port 1 is blocked.

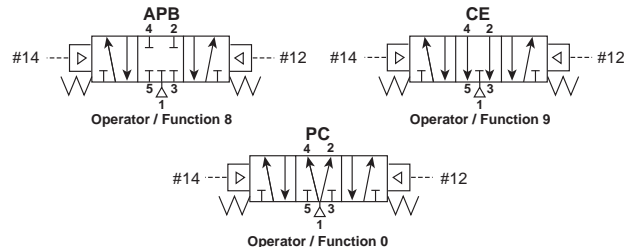
**Function 7: Pressure Center**  
 Pressure port 1 connected to cylinder ports 2 and 4, and exhaust ports 3 and 5 blocked in center position.

**Dual Pressure:**

May be used for dual pressure service with pressure at ports 3 & 5. (Use either external pilot source option “K”, “W” or “X”, or dual pressure pilot source option “D” or “E.”) If pilot source “D” or “E” is selected, the high pressure must be at port #3. If pilot source “K”, “W” or “X” is selected, the external pilot must be plumbed to port #14 or “X” respectively. Note: The “B6” valve is also available with dual pressure using Port 5 for high pressure (Option “G” & “H”). This is only to be used if converting from a “42” (“CM”) Series traditional valve.

In the 3-Position valve, the effect of dual pressure is extremely important when the valve is in the center position, as the CE and PC functions are reversed. Therefore, care should be used when selecting a 3-Position valve.

**Double Remote Pilot**  
**4-Way, 3-Position**



**With #12 operator signaled** – inlet port 1 connected to cylinder port 2, cylinder port 4 connected to exhaust port 5.

**With #14 operator signaled** – inlet port 1 connected to cylinder port 4, cylinder port 2 connected to exhaust port 3.

**Function 8: All Ports Blocked**  
 All ports blocked in the center position.

**Function 9: Center Exhaust**  
 Cylinder ports 2 and 4 connected to exhaust ports 3 and 5 in center position. Port 1 is blocked.

**Function 0: Pressure Center**  
 Pressure port 1 connected to cylinder ports 2 and 4, and exhaust ports 3 and 5 blocked in center position.

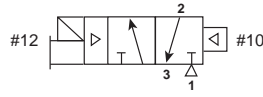
**A**

**Product Index**  
**Engineering Data**

**Product Index**

**Engineering Data**

**Single Solenoid**  
**3-Way, 2-Position, NC (NNP)**

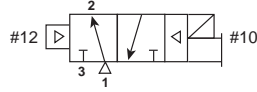


**Normally Closed:**

**De-energized position** – Solenoid #12 de-energized. Pressure at inlet port 1 blocked, outlet port 2 connected to exhaust port 3.

**Energized position** – Solenoid #12 energized. Pressure at inlet port 1 connected to outlet port 2, exhaust port 3 is blocked.

**Single Solenoid**  
**3-Way, 2-Position, NO (NP)**

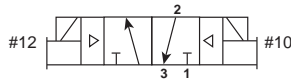


**Normally Open:**

**De-energized position** – Solenoid #10 de-energized. Pressure at inlet port 1 connected to outlet port 2, exhaust port 3 is blocked.

**Energized position** – Solenoid #10 energized. Pressure at inlet port 1 blocked, outlet port 2 connected to exhaust port 3.

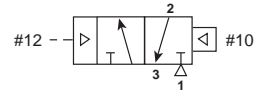
**Double Solenoid**  
**3-Way, 2-Position**



**Solenoid operator #12 energized last.** Pressure at inlet port 1 connected to outlet port 2, exhaust port 3 is blocked.

**Solenoid operator #10 energized last.** Pressure at inlet port 1 blocked, outlet port 2 connected to exhaust port 3.

**Single Remote Pilot**  
**3-Way, 2-Position, NC (NNP)**

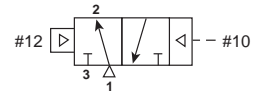


**Normally Closed:**

**Normal position** – Pressure at inlet port 1 blocked, outlet port 2 connected to exhaust port 3.

**Operated position** – Maintained air signal at port 12. Pressure at inlet port 1 connected to outlet port 2, exhaust port 3 is blocked.

**Single Remote Pilot**  
**3-Way, 2-Position, NO (NP)**

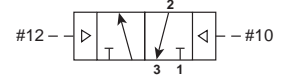


**Normally Open:**

**Normal position** – Pressure at inlet port 1 connected to outlet port 2, exhaust port 3 is blocked.

**Operated position** – Maintained air signal at port 10. Pressure at inlet port 1 blocked, outlet port 2 connected to exhaust port 3.

**Double Remote Pilot**  
**3-Way, 2-Position**



**Momentary air signal at port 12 last.** Pressure at inlet port 1 connected to outlet port 2, exhaust port 3 is blocked.

**Momentary air signal at port 10 last.** Pressure at inlet port 1 blocked, outlet port 2 connected to exhaust port 3.





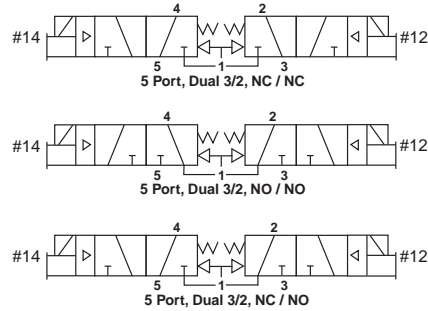
**Double Solenoid / Remote Pilot  
 Dual 3-Way, 2-Position NC / NC (NNP)**

With #14 & #12 operators both de-energized – pressure at inlet port 1 blocked, outlet port 4 connected to exhaust port 5, outlet port 2 connected to exhaust port 3.

With #14 operator energized – pressure at inlet port 1 connected to outlet port 4, exhaust port 5 blocked, outlet port 2 connected to exhaust port 3.

With #12 operator energized – pressure at inlet port 1 connected to outlet port 2, exhaust port 3 blocked, outlet port 4 connected to exhaust port 5.

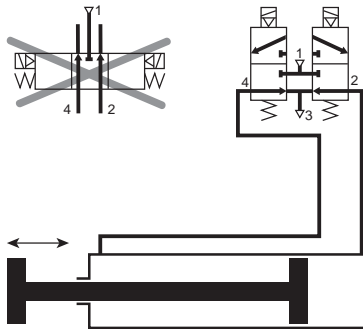
With #14 & #12 operators both energized – pressure at inlet port 1 connected to outlet ports 4 & 2, exhaust ports 3 & 5 blocked.



**Dual 3/2 valves replace 3-position valves for better performance**

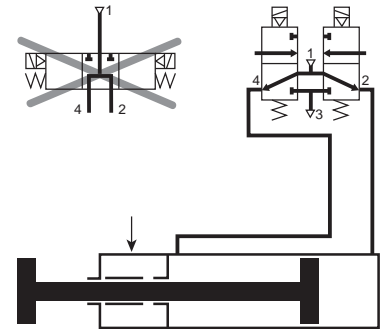
**3-position  
 center exhaust**

A traditional 5/3 center exhaust valve is now replaced by a double 3/2 NC+NC valve module. Both cylinder chambers are exhausted and rod and piston are free to move.



**3-position  
 pressure center**

A traditional 5/3 pressure center valve is now replaced by a double 3/2 NO+NO valve module. The function is identical.



**A**

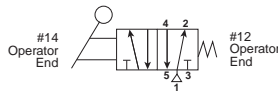
**Product Index**  
**Engineering Data**

**Product Index**

**Engineering Data**

**Lever Valves – Parallel & Perpendicular Operated**

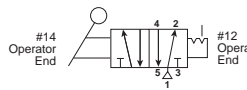
**2-Position, Spring Return**



**Single Pressure at Port #1** – The Hand Lever alternately pressurizes port 2 or 4 while exhausting at port 3 or 5. When actuating Hand Lever, port 4 is pressurized; when releasing Hand Lever, spring returns the spool, pressurizing port 2.

**Dual Pressure** – Pressure at port 3 & 5 alternately pressurizes port 2 or 4 while exhausting at port 1. When actuating Hand Lever, port 2 is pressurized; when releasing Hand Lever, spring returns the spool, pressurizing port 4. (Must be ordered as dual pressure)

**2-Position, Detent**

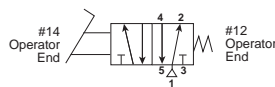


**Single Pressure at Port #1** – The Hand Lever alternately pressurizes port 2 or 4 while exhausting at port 3 or 5. When pulling Hand Lever, port 4 is pressurized; when pushing Hand Lever, port 2 is pressurized. Spool stays in last actuated position.

**Dual Pressure** – Pressure at port 3 & 5 alternately pressurizes port 2 or 4 while exhausting at port 1. When pulling Hand Lever, port 2 is pressurized; when pushing Hand Lever, port 4 is pressurized. Spool stays in last actuated position. (Must be ordered as dual pressure.)

**Foot Pedal Operated**

**2-Position, Spring Return**

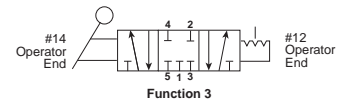


**CAUTION:**  
 This valve shall not be used to actuate a punch press.  
 Do not use this valve on punch presses or press brakes.  
 See OSHA 1910.217.

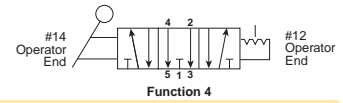
See Dimension page for Pedal Guard Kit.

**Single Pressure at Port #1** – The Foot Pedal alternately pressurizes port 2 or 4 while exhausting at port 3 or 5. When pressing Foot Pedal down, port 4 is pressurized; when releasing Foot Pedal, spring returns the spool, pressurizing port 2.

**Dual Pressure** – Pressure at port 3 & 5 alternately pressurizes port 2 or 4 while exhausting at port 1. When pressing Foot Pedal down, port 2 is pressurized; when releasing Foot Pedal, spring returns the spool, pressurizing port 4. (Must be ordered as dual pressure)



Function 3



Function 4

**3-Position, Detent**

**Single Pressure at Port #1** – The Hand Lever alternately pressurizes port 2 or 4 while exhausting at port 3 or 5. When pulling Hand Lever, port 4 is pressurized; when pushing Hand Lever, port 2 is pressurized. When Hand Lever is vertical, it is in the center position - either APB or CE. Spool stays in last actuated position.

**Center Functions**

All Ports Blocked – Function 3

Center Exhaust – Function 4



**CAUTION:**  
 For 3-Position lever function, do not restrict exhaust ports with speed controls.



**Electrical Enclosure IP Ratings**

		2nd Numeral: Degree of protection with respect to harmful ingress of water								
		0	1	2	3	4	5	6	7	8
1st Numeral: Degree of Protection with respect to persons and solid objects	Non Protected	Non Protected	Protected against dripping water	Protected against dripping water of ±15° angle	Protected against spraying water of ±60° angle	Protected against splashing water	Protected against water jets	Protected against heavy seas	Protected against immersion	Protected against submersion
	Non-Protected	0	IP00	IP01	IP02					
	Protected against solid objects greater than Ø50mm	1	IP10	IP11	IP12	IP13				
	Protected against solid objects greater than Ø12mm	2	IP20	IP21	IP22	IP23				
	Protected against solid objects greater than Ø2.5mm	3	IP30	IP31	IP32	IP33	IP34			
	Protected against solid objects greater than Ø1.0mm	4	IP40	IP41	IP42	IP43	IP44	IP45	IP46	
	Dust protected Depression 200mm water column, air flow 80 x volume of enclosure	5					IP54	IP55	IP56	
	Dust-tight Same test procedure	6						IP65	IP66	IP67

**A**

Product Index  
Engineering Data

Product Index

Engineering Data

**Functionality Explanation**

Fluid Power			Electrical	
Function	Symbol	Universal Description	Function	Symbol
Normally Closed (N.C.)	2-Way 	Normally Non-Passing (NNP)	Normally Open (N.O.)	
	3-Way 			
Normally Open (N.O.)	2-Way 	Normally Passing (NP)	Normally Closed (N.C.)	
	3-Way 			



For inventory, lead time, and kit lookup, visit [www.pdnplu.com](http://www.pdnplu.com)



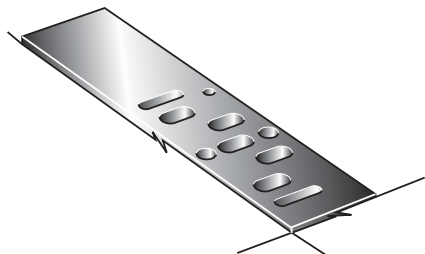
**A**



**International Standards Organization**

Crafted a set of rules you must follow to call your product an “ISO valve”.  
In valves ISO standard identifies the pneumatic interface between valve and the base.  
Defines pattern of mounting screws.  
Allows products to be interchangeable between manufacturers.

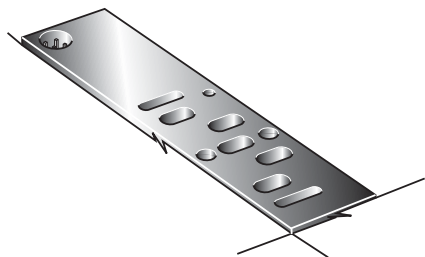
**15407-1**



**External Electrical Connection Subbase Valves**

The ISO Standard 15407-1 specifies an interface pattern for a common subbase valve consisting of pressure passages 1, 3, 5, 2, & 4, pilot passages 12 & 14. The width of the pattern and location of the 2-bolt holes are also specified. This ISO standard specifies 2 different sizes – 18mm as the smallest and 26mm as the largest.

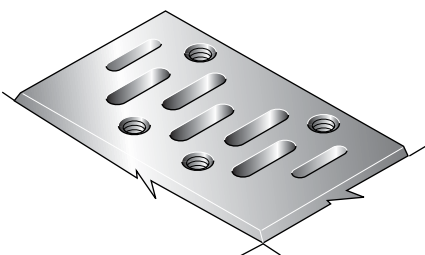
**15407-2**



**Body-to-Base Plug-In Subbase Valves**

The ISO Standard 15407-2 specifies an interface pattern for a common subbase valve consisting of pressure passages 1, 3, 5, 2, & 4, pilot passages 12 & 14, and a plug-in electrical connector. The width of the pattern and location of the 2-bolt holes are also specified. This ISO standard specifies 2 different sizes – 18mm as the smallest and 26mm as the largest.

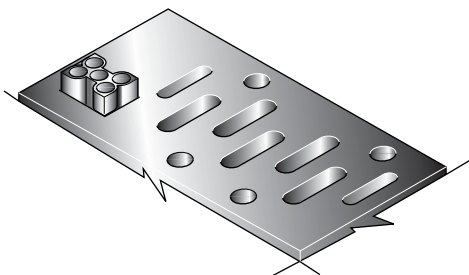
**5599-1**



**External Electrical Connection Subbase Valves**

The ISO Standard 5599-1 specifies an interface pattern for a common subbase valve consisting of pressure passages 1, 3, 5, 2, & 4, and pilot passages 12 & 14. The width of the pattern and location of the 4 bolt holes are also specified. There are no specifications for the type of external electrical connection used to control the valve.

**5599-2**



**Body-to-Base Plug-In Subbase Valves**

The ISO Standard 5599-2 specifies an interface pattern for a common subbase valve consisting of pressure passages 1, 3, 5, 2, & 4, pilot passages 12 & 14, and a plug-in electrical connector. The width of the pattern and location of the 4-bolt holes are also specified. This ISO standard specifies 6 different sizes – 1 as the smallest up to 6 as the largest. Manufacturers who produce ISO 5599-2 valves typically offer sizes 1, 2 & 3.

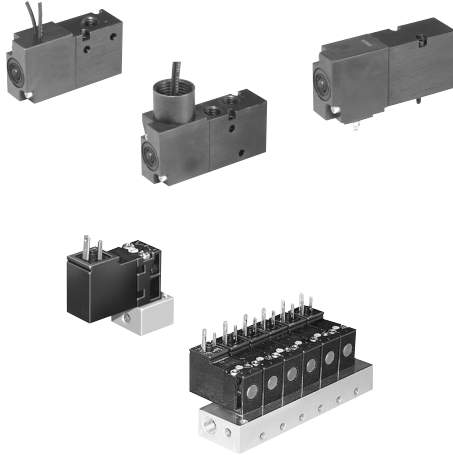


Product Index  
Engineering Data

Product Index

Engineering Data

**Pneumatic Valve Products**  
**Direct Acting Valve Series**



**XM Series**

Features	B1
Common Part Number / Ordering Information	B3-B5
Accessories	B6
Technical Data	B7
Dimensional Data	B8

**15mm Solenoid Valve**

Features	B9
Ordering Information	B10-B11
Dimensional Data	B11

**B**

Direct Acting Valves



**Features**

**XM Valve Series**

XM series is a 1/8 inch ported, 3-way and 4-way, 2-position, spring return, normally open or normally closed, general purpose air valve.

**Ports**

- 1/8" NPT

**Mounting**

- Inline
- IEM bar manifold
- Subbase valve manifold

**Solenoids**

- Continuous duty rated
- 24" grommet
- 15mm 3-pin (9.4mm pin spacing)
- 1/2" conduit
- 12VDC to 240VAC

**Balanced poppet**

- 3-way N.O. & N.C.
- Diverter
- Selector
- Vacuum option

**ROHS compliant**

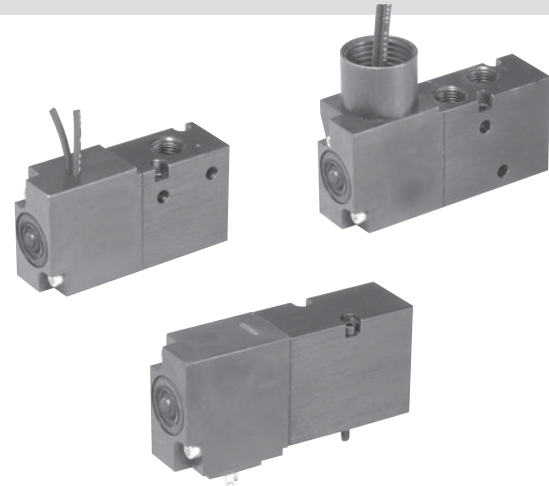
**Material specifications**

Body	Aluminum
Center post and armature	Stainless steel
Stem	Brass
Spring	Stainless steel
Seals	Buna N
Center post sleeve	Acetal
Coil	General purpose Class B, encapsulated

**Performance information**

Electrical					Flow	
Code	Voltage		Power consumption (W / VA)	Holding current (Amps)	Cv chart	
	AC	DC			3-way	4-way
	60Hz	50Hz				
42	24	22	—	4.8VA	.200	.15 .15
45*	—	—	12	4.5W	.375	.15 .15
49	—	—	24	4.5W	.188	.15 .15
53	120	110	—	4.32VA	.036	.15 .15
57	240	220	—	4.32VA	.018	.15 .15

\* Mobile voltage, +25/-30%  
 Note: Voltage tolerance: +10 / -15%  
 Cv tested per ANSI / (NFPA) T3.21.3



**Operating information**

3-way, N operating pressure:	0 to 125 PSIG
3-way, V* operating pressure:	0.28" Hg to 125 PSIG
4-way, N operating pressure:	0.28" Hg to 125 PSIG
Temperature range:	32°F to 125°F (0°C to 50°C)

\* For vacuum service

**Response time**

Code	Voltage	0 Cu. in. test chamber		12 Cu. in. test chamber	
		Fill	Exhaust	Fill	Exhaust
49	24VDC	.011	.007	.240	.384
53	120VAC	.011	.020	.240	.384


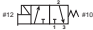



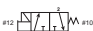
Average Fill Time (Seconds): With 100 PSIG supply, time required to fill from 0-90 PSIG and exhaust from 100 PSIG to 10 PSIG is measured from instant of energizing, or de-energizing solenoid. Times shown are average.  
 Tested per ANSI / (NFPA) T3.21.8.

**B**  
 Direct Acting Valves  
 XM Series  
 15mm Solenoid Valves








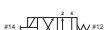
For inventory, lead times, and kit lookup, visit [www.pdnplu.com](http://www.pdnplu.com)

**3-way Inline Valves**

	Symbol	Port size	Cv	Voltage	Valve type	Weight	Part number
		1/8"	.15	24" Grommet, 24VDC	Inline	4 oz	<b>XM30NBG49A</b>
		1/8"	.15	24" Grommet, 120VAC	Inline	(.11 Kg)	<b>XM30NBG53A</b>
		1/8"	.15	3-Pin, 15mm, DIN 9.4mm, 24VDC	Inline	4 oz	<b>XM30NB549A</b>
		1/8"	.15	3-Pin, 15mm, DIN 9.4mm, 120VAC	Inline	(.11 Kg)	<b>XM30NB553A</b>
		1/8"	.15	1/2" Conduit / 24" leads, 24VDC	Inline	5 oz	<b>XM30NBH49A</b>
		1/8"	.15	1/2" Conduit / 24" leads, 120VAC	Inline	(.14 Kg)	<b>XM30NBH53A</b>


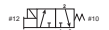

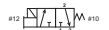
Note: All units with non-locking flush override. Can be used as N.O / N.C. / Diverter / Selector function.

**4-way Inline Valves**

	Symbol	Port size	Cv	Voltage	Valve type	Weight	Part number
		1/8"	.15	24" Grommet, 24VDC	Inline	4.3 oz	<b>XM40NBG49A</b>
		1/8"	.15	24" Grommet, 120VAC	Inline	(.12 Kg)	<b>XM40NBG53A</b>
		1/8"	.15	3-Pin, 15mm, DIN 9.4mm, 24VDC	Inline	4.3 oz	<b>XM40NB549A</b>
		1/8"	.15	3-Pin, 15mm, DIN 9.4mm, 120VAC	Inline	(.12 Kg)	<b>XM40NB553A</b>
		1/8"	.15	1/2" Conduit / 24" leads, 24VDC	Inline	5.3 oz	<b>XM40NBH49A</b>
		1/8"	.15	1/2" Conduit / 24" leads, 120VAC	Inline	(.15 Kg)	<b>XM40NBH53A</b>


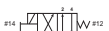

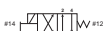
Note: All units with non-locking flush override.

**3-way Subbase Mount Valves**


	Symbol	Port size	Cv	Voltage	Valve type	Weight	Part number
		1/8"	.15	24" Grommet, 24VDC	Subbase mount	4 oz	<b>XM3VNBG49A</b>
		1/8"	.15	24" Grommet, 120VAC	Subbase mount	(.11 Kg)	<b>XM3VNBG53A</b>
		1/8"	.15	3-Pin, 15mm, DIN 9.4mm, 24VDC	Subbase mount	4 oz	<b>XM3VNB549A</b>
		1/8"	.15	3-Pin, 15mm, DIN 9.4mm, 120VAC	Subbase mount	(.11 Kg)	<b>XM3VNB553A</b>

Note: All units with non-locking flush override. Can be used as N.O / N.C. / Diverter / Selector function.

**4-way Subbase Mount Valves**

	Symbol	Port size	Cv	Voltage	Valve type	Weight	Part number
		1/8"	.15	24" Grommet, 24VDC	Subbase mount	4.3 oz	<b>XM4VNBG49A</b>
		1/8"	.15	24" Grommet, 120VAC	Subbase mount	(.12 Kg)	<b>XM4VNBG53A</b>
		1/8"	.15	3-Pin, 15mm, DIN 9.4mm, 24VDC	Subbase mount	4.3 oz	<b>XM4VNB549A</b>
		1/8"	.15	3-Pin, 15mm, DIN 9.4mm, 120VAC	Subbase mount	(.12 Kg)	<b>XM4VNB553A</b>

Note: All units with non-locking flush override.

 Most popular.

**B**

Direct Acting Valves

XM Series

15mm Solenoid Valves



For inventory, lead time, and kit lookup, visit [www.pdnplu.com](http://www.pdnplu.com)

**Model Number Index**

**B**  
 Direct Acting Valves  
 XM Series  
 15mm Solenoid Valves

**XM 4 0 N B G49 — A**

Operator / Function	
3-Way, Direct Operated, Single Solenoid, Spring Return	3
4-Way, Direct Operated, Single Solenoid, Spring Return	4

Port Size / Thread Type	
1/8" NPT Inline	0*
Subbase Valve Less Base	V

\* Available on IEM manifolds.

Pilot Source / Exhaust	
Direct Operated / Standard Pressure	N*
Direct Operated / Vacuum Service	V**

\* 3-Way Valve Positive Pressure,  
 4-Way Valve Vacuum or Positive Pressure  
 \*\* 3-Way Valve Vacuum Pressure.

Overrides	
Flush - Non-Locking	B

Engineering Level	
A	Current

Options	
Blank	None
F0*	Flow Control

\* 4-Way Valves Only.

Enclosures / Lead Length				
		Voltage		
		AC		DC
		60Hz	50Hz	
542	15mm 3-Pin DIN 9.4mm	24	22	
545*	15mm 3-Pin DIN 9.4mm			12
<b>549</b>	<b>15mm 3-Pin DIN 9.4mm</b>			<b>24</b>
<b>553</b>	<b>15mm 3-Pin DIN 9.4mm</b>	<b>120</b>	<b>110</b>	
G42	Grommet / Flying Leads 24"	24	22	
<b>G45*</b>	<b>Grommet / Flying Leads 24"</b>			<b>12</b>
<b>G49</b>	<b>Grommet / Flying Leads 24"</b>			<b>24</b>
<b>G53</b>	<b>Grommet / Flying Leads 24"</b>	<b>120</b>	<b>110</b>	
G57	Grommet / Flying Leads 24"	240	220	
H42†	1/2" Conduit / Flying Leads 24"	24	22	
H45*†	1/2" Conduit / Flying Leads 24"			12
<b>H49†</b>	<b>1/2" Conduit / Flying Leads 24"</b>			<b>24</b>
<b>H53†</b>	<b>1/2" Conduit / Flying Leads 24"</b>	<b>120</b>	<b>110</b>	

\* Mobile Voltage Rated.

† Inline Version Only.

**Notes:**

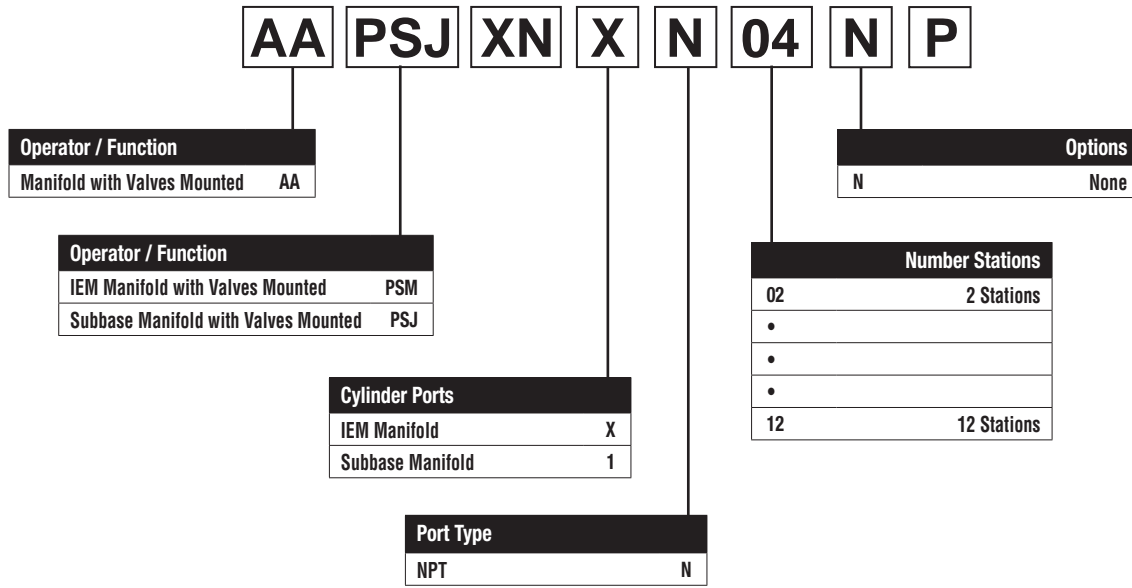
**Inline Valves**

Conduit Inline valves cannot be mounted to IEM or Subbase Manifolds.





**How to Order Manifold Assemblies**



**IEM Bar Manifold Assembly**

First line item describes IEM Assembly. Subsequent line items listed identify each station in the Manifold starting with Station Number 1.

**Ordering Example**

Item	Qty	Part Number
001	1	AAPSMXNXN04NP
002	2	XM30NBG49A - Station 1, 2 - Normally Closed
003	1	XM40NBG49A - Station 3
004	1	XM40NBG49FOA - Station 4

Notes: When ordering Add-A-Folds, list valves left to right when looking at the Port 1/3 side of the manifold. All 3-Way valves will be assembled as 3-Way N.C. valves.

**Component Ordering Example**

Item	Qty	Part Number
001	1	PSMXNXN04NP (IEM Kit)
002	2	XM30NBG49A (Valve)
003	1	XM40NBG49A (Valve)
004	1	XM40NBG49FOA (Valve)

**Subbase Manifold Assembly**

First line item describes Subbase Assembly. Subsequent line items listed identify each station in the Manifold starting with Station Number 1.

**Ordering Example**

Item	Qty	Part Number
001	1	AAPSJXN1N04NP
002	2	XM3VNBG49A - Station 1, 2 - Normally Closed
003	1	XM4VNBG49A - Station 3
004	1	XM4VNBG49FOA - Station 4

Notes: When ordering Add-A-Folds, list valves left to right when looking at the Port 2/4 side of the manifold. All 3-Way valves will be assembled as 3-Way N.C. valves. Isolator Discs are required for N.O. functions.

**Component Ordering Example**

Item	Qty	Part Number
001	1	PSXM31010P (End Plate Kit)
002	4	PSXM530CP (Subbase Kit)
003	2	XM3VNBG49A (Valve)
004	1	XM4VNBG49A (Valve)
005	1	XM4VNBG49FOA (Valve)



For inventory, lead time, and kit lookup, visit [www.pdnplu.com](http://www.pdnplu.com)

**Accessories**

**Manifold**



Description	Part number
IEM bar manifold (NPT)	<b>PSMXNXN##NP</b>

## - stations 02 to 12 (04 Shown)

**Subbase**



Description	Part number
Manifold subbase kit (NPT)	<b>PSXM530CP</b>

**Plug-in Electrical Connectors - 9.4mm**

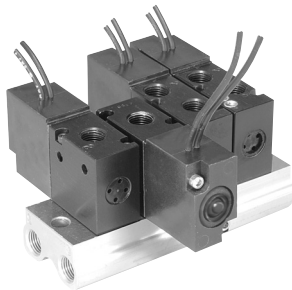


Description	Indication	Voltage	Part number
Unwired Plug	None	N/A	<b>PESC10</b>
	LED & Suppression	12/24V	<b>PESC2020B</b>
		120VAC	<b>PESC2001F</b>



Plug with 6" lead	None	N/A	<b>P8L-C2</b>
	LED & Suppression	12/24V	<b>PESC2220B</b>
		120VAC	<b>P8LC221E</b>

**IEM Bar Manifold Assembly**



IEM Bar Manifold allows for mounting of 3-Way and 4-Way Inline valves on the same manifold. 3-Way Valves can be mounted on the same manifold to provide a Normally Closed or Normally Open function by rotating the valves 180°. 4-Way valves can be mounted with or without Flow Controls.

IEM Bar Manifold Assemblies consist of valves and an IEM Manifold. Valves and IEM Manifold can be ordered separately.

**Direct Acting Valve Products  
XM Valve Series**

**Accessories**



Description	Part number
End plate kit (NPT)	<b>PSXM31010P</b>



Blanking plate kit	<b>PSXM8310P</b>
--------------------	------------------

Subbase Kit includes: (1) Plate, (3) Screws, (4) Gaskets  
Fits subbase or IEM type manifold.



Mounting Bracket - Inline valve	<b>PSXM8288P</b>
---------------------------------	------------------



Isolator plugs - Subbase manifold	<b>PSXM40900P</b>
-----------------------------------	-------------------



IEM valve / manifold o-ring kit	<b>PSXM2186P</b>
---------------------------------	------------------



Subbase valve / manifold bolt kit	<b>PSXM8100P</b>
-----------------------------------	------------------

**Subbase Manifold Assembly**



Subbase Manifold allows for mounting of 3-Way and 4-Way Subbase Valves can be mounted on the same manifold. 3-Way Valves can be mounted on the same manifold to provide a Normally Closed or Normally Open function through the use of port isolation kits. 4-Way valves can be mounted with or without Flow Controls.

Subbase Manifold Assemblies consist of Valves, End Plate Kit and Manifold Subbase Kits. Valves, End Plate Kit and Manifold Subbase Kits can be ordered separately.

**B**

Direct Acting Valves

XM Series

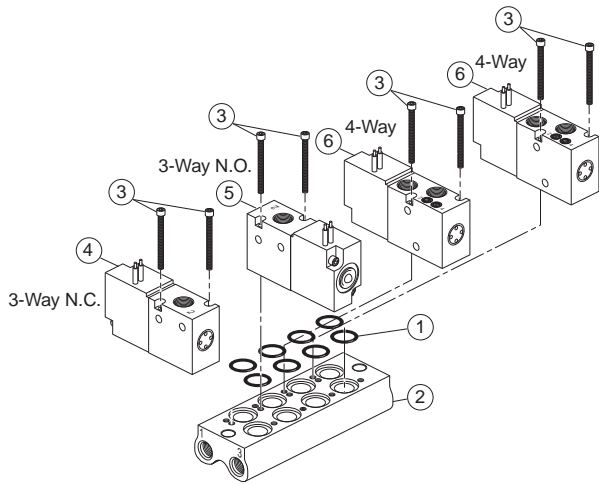
15mm Solenoid Valves



For inventory, lead times, and kit lookup, visit [www.pdnplu.com](http://www.pdnplu.com)

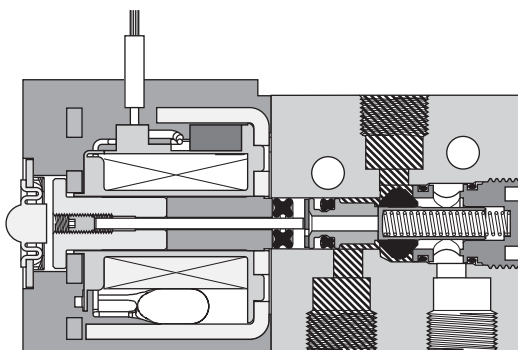
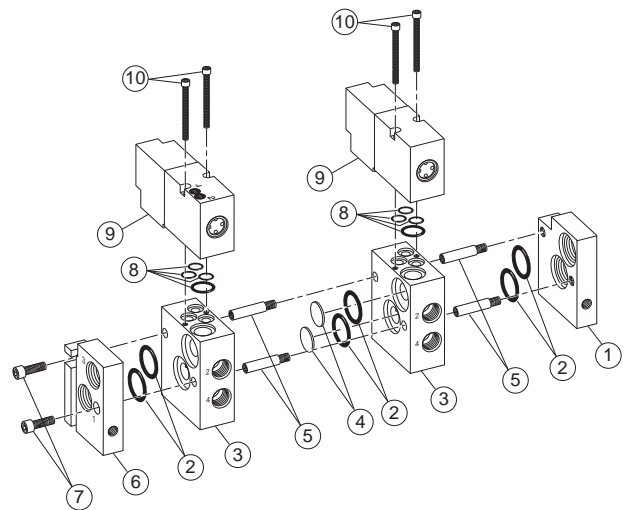
**Inline Valve on IEM Bar Manifold Assembly**

IEM Bar Manifold Assembly's are assembled by adding Inline Valves to an IEM Bar Manifold. O-rings are installed at each valve station in the counterbore on the top of the manifold. Valves are installed with 2 mounting screws. For 3-Way N.C. valve operation, line up the solenoid end of the Valve with Port 1 on the Manifold. For 3-Way N.O. operation, line up the solenoid end of the valve with Port 3 on the manifold. For 4-Way valve operation, line up the Solenoid end of the valve with Port 1 on the manifold. If manifolds are factory assembled, all 3-Way valves are N.C. To convert from N.C. to N.O. operation, remove valve from the base and place valve 180° from the original position with the solenoid end lined up with the 3-Port on the manifold.

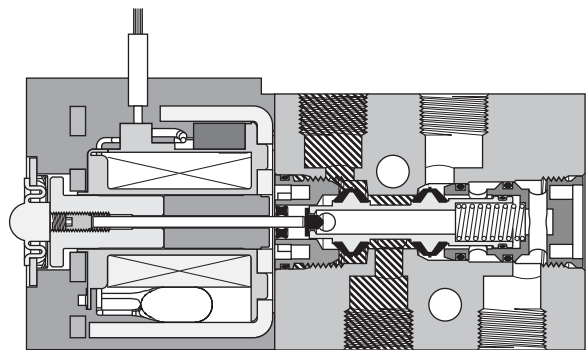


**Subbase Valve and Manifold Assembly**

Subbase Manifold Assembly's are assembled by adding tie rods and manifold bases to the end plate kit of the subbase end plate kit as shown below. Valves are added to each subbase per manifold design. 4-Way and 3-Way valves are mounted with Solenoids Coils facing away from subbase delivery ports 2 and 4. For 3-Way N.O. Functions, valves must be isolated from the other 3-Way N.C. and 4-Way valves on the manifold. This is achieved by placing port isolator discs in between the subbase of the first 3-Way N.O. Valve and the subbase of the last 3-Way N.C. or 4-Way valve in the Subbase Manifold. Inlet pressure is connected to Port 3 of the manifold for the 3-Way N.O. valves. Inlet pressure is connected to the Port 1 of the manifold for the 3-Way N.C. and 4-Way valves. Separate Inlet Pressure Ports and Exhaust Ports are required for N.O. and N.C. 3-way function valves.



**3-Way Inline Valve**  
 Shown Energized



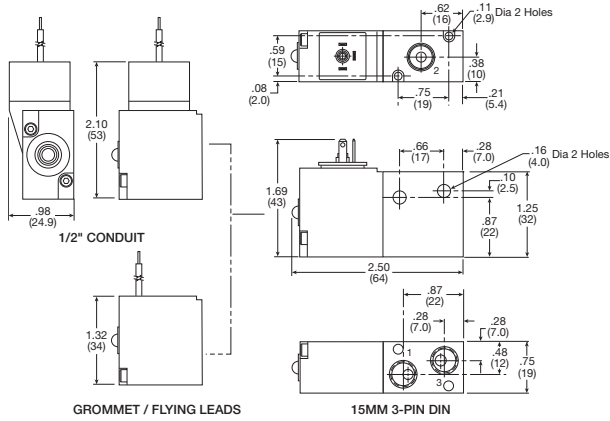
**4-Way Inline Valve**  
 Shown De-Energized

Pressure Exhaust

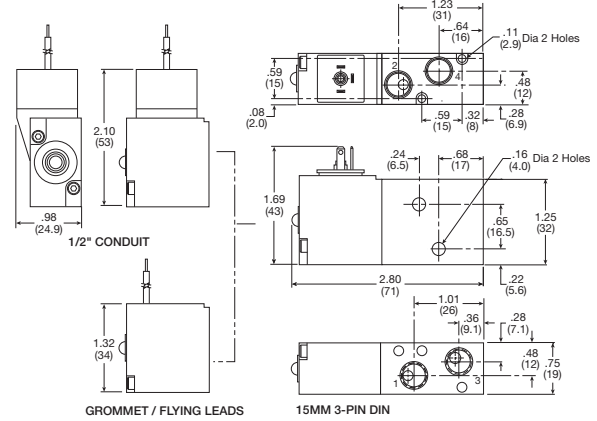


For inventory, lead time, and kit lookup, visit [www.pdnplu.com](http://www.pdnplu.com)

**XM 3-way Inline**



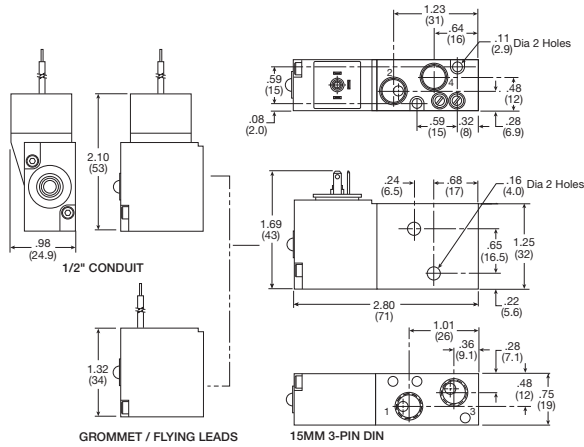
**XM 4-way Inline**



Inches (mm)  
 Note: 22 AWG black cross linked polyethylene insulated lead wire.

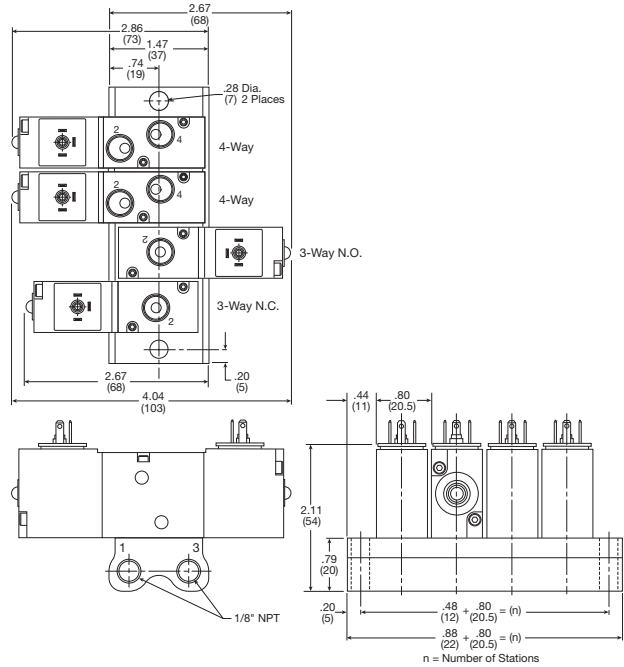
Inches (mm)  
 Note: 22 AWG black cross linked polyethylene insulated lead wire.

**XM 4-way Inline with Flow Controls**

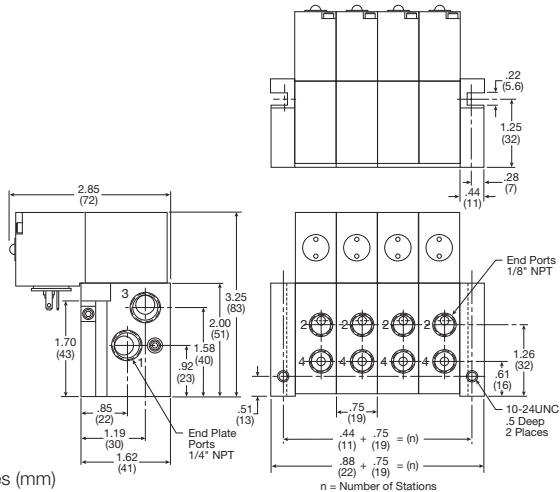


Inches (mm)  
 Note: 22 AWG black cross linked polyethylene insulated lead wire.

**XM IEM Manifold**

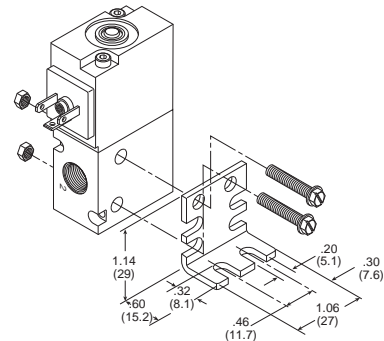


**XM IEM Subbase**



Inches (mm)

**Mounting Bracket Dimensions**



**15mm Solenoid Valve**

A compact 15mm, 3-way subbase or manifold mounted valve. Ideally suited for use in stationary or mobile equipment applications, where flow rates and low temperatures are a key consideration.

**Features**

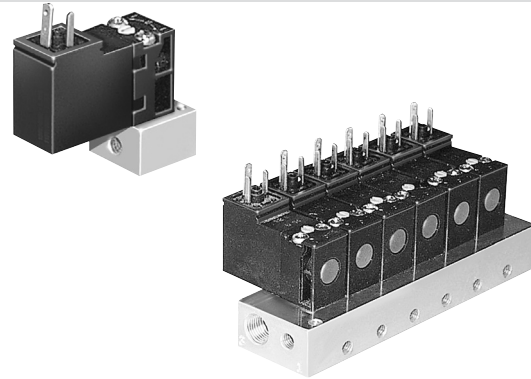
- Compact and simple design
- Utilizes 15mm solenoid operators
- Manifold allows mounting of normally open and normally closed operators simultaneously
- Up to 20 stations available

**Solenoids**

- 15mm low watt solenoids are UL certified and approved to be CE marked
- Wide range of voltages available

**Applications**

- Piloting for process control valves
  - pharmaceutical equipment
  - waste water treatment systems
  - food processing
  - chemical batching
- Industrial laundry equipment
- Paint spray & dyeing equipment
- Textile winding applications
- Vacuum and conveyor applications



**Operating information**

Operating pressure:	Vacuum to 145 PSIG (Vacuum to 10 bar)
Operating temperature:	
Standard Flow:	5°F to 140°F (-15°C to 60°C)
High Flow:	5°F to 122°F (-15°C to 50°C)
Mobile Applications (47 & 48 Voltage Options):	-40°F to 158°F (-40°C to 70°C)
Storage temperature:	
All applications:	-40°F to 158°F (-40°C to 70°C)

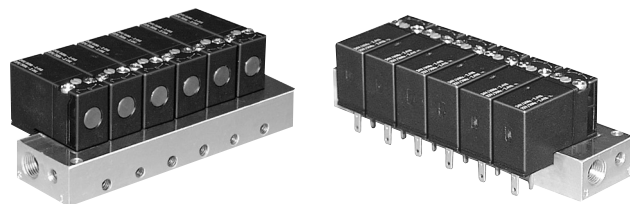
**Material specifications**

Body	Glass filled polyamide
Internal metal parts	Steel
Screws	Steel
Bottom plug	Thermoplastic
Poppet seals	Nitrile for standard, fluorocarbon for mobile

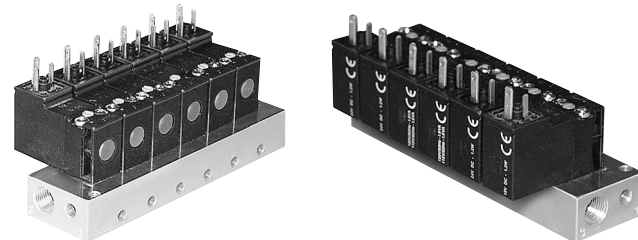
**Technical data**

Electrical interface per:	DIN 43650 Form C (EN175301-803C) 8mm pin spacing
Pneumatic interface per:	AFNOR E 0652 110 N
Protection:	IP65 (Washdown)
Air flow:	Standard flow 0.033 Cv (33 Lpm) (1.2W) (1.6VA)
Voltage tolerance:	All voltages except 47 & 48: Rated voltage +10% / -15% options 47 & 48: Rated voltage +25% / -30%

**Manifold - Pins Down**



**Manifold - Pins Up**



**B**

Direct Acting Valves

XM Series

15mm Solenoid Valves



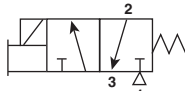
For inventory, lead time, and kit lookup, visit [www.pdnplu.com](http://www.pdnplu.com)



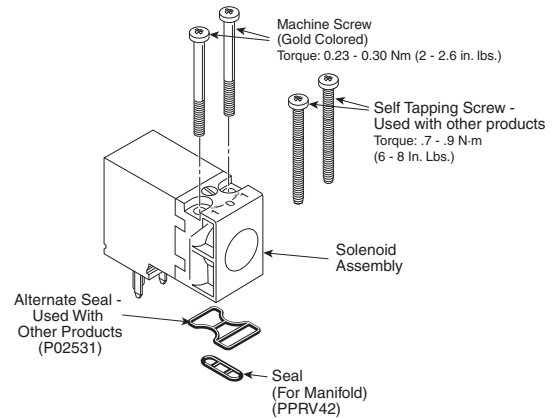
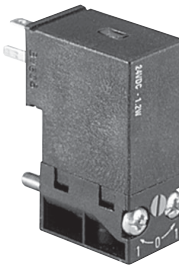
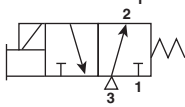
Ordering Information

15mm Solenoid Kit Information

3/2 Normally Non-passing (NNP) /  
Normally Closed (NC) Valves



3/2 Normally Passing (NP) /  
Normally Open (NO) Valves



NC (NNP) Solenoids / Kits

	## Voltage (S = Standard, O = Optional, — = N/A)					Kit No.
	42 (24VAC)	45 (12VDC)	49 (24VDC)	53 (120VAC)	57 (230VAC)	
* Override						
B (Non-lock, Flush)	O	O	S	S	O	<b>PS2982*##P</b> Pins: UP NC / NNP 1.2W / 1.6VA
C (Lock, Flush)	O	O	S	S	O	
D (Non-lock, Ext)	—	—	O	O	—	
B (Non-lock, Flush)	O	O	S	S	—	<b>PS3541*##P</b> Pins: DOWN NC / NNP 1.8W / 2.4VA
C (Lock, Flush)	O	O	S	S	—	
D (Non-lock, Ext)	—	—	O	O	—	
E (Lock, Ext)	—	—	O	O	—	
B (Non-lock, Flush)	O	O	O	O	O	<b>PS3441*##P</b> Pins: DOWN NC / NNP 1.2W / 1.6VA
C (Lock, Flush)	O	O	O	O	O	
B (Non-lock, Flush)	—	O	S	S	—	<b>PS3202*##P</b> Pins: UP NO / NP 1.2W / 1.6VA

\* Override, ## Voltage

Female Electrical Connectors

15mm 3-Pin DIN 43650C (Use with enclosure "5")

Description		Connector	Connector with cord
Unlighted	18 Inches	<b>PS2932BP</b>	<b>PS2932HBP</b>
Unlighted	6 Feet	<b>PS2932BP</b>	<b>PS2932JBP</b>
Light - 12VAC or DC	6 Feet	<b>PS294675BP</b>	<b>PS2946J75BP*</b>
Light - 24VAC or DC	6 Feet	<b>PS294679BP</b>	<b>PS2946J79BP*</b>
Light - 110/120VAC	6 Feet	<b>PS294683BP</b>	<b>PS2946J83BP*</b>
Light - 240/230VAC		<b>PS294687BP</b>	N/A

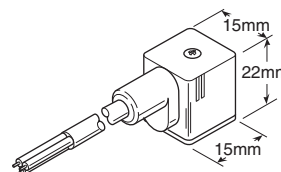
\* LED with surge suppression.

**Note:** Max ø6.5mm cable size required for connector w/o 6' (2m) cord.  
IP65 rated when properly installed.

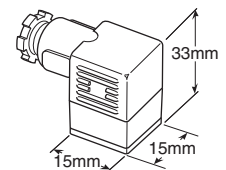
Engineering Data:

- Conductors: 2 poles plus ground
- Cable range (Connector only): 4 to 6mm (0.16 to 0.24 Inch)
- Contact spacing: 8mm

Most popular.



Connector with cord

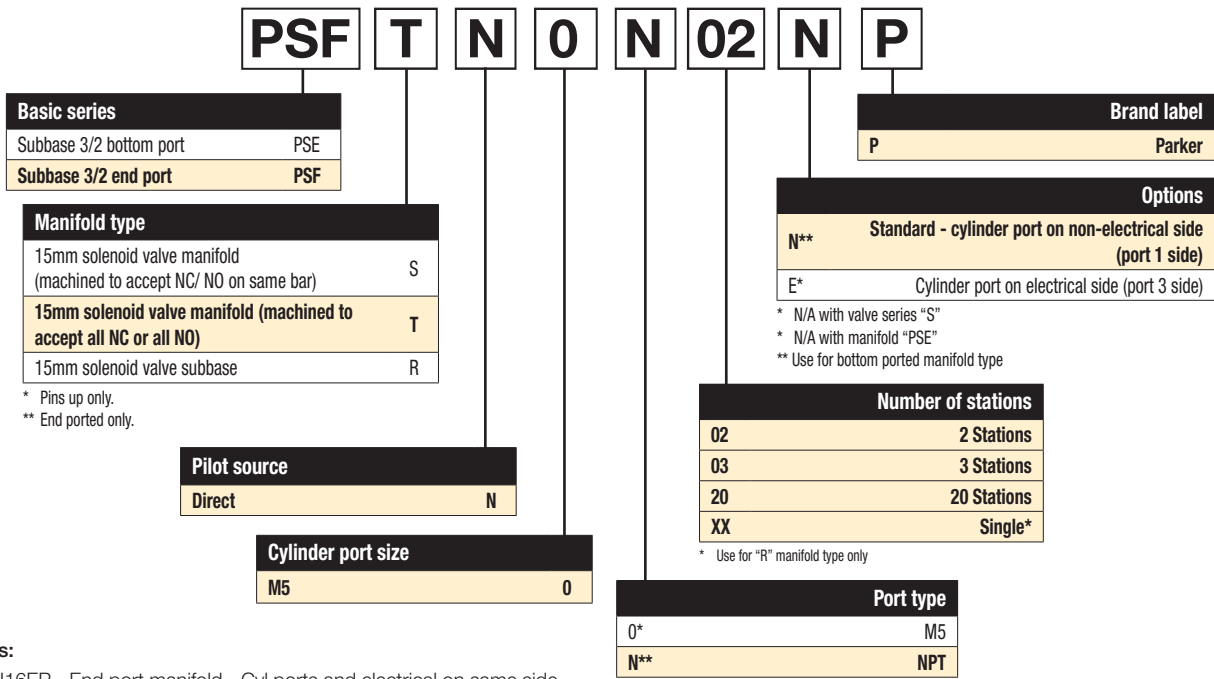


Connector only



For inventory, lead times, and kit lookup, visit [www.pdnplu.com](http://www.pdnplu.com)

**Model Number Index**

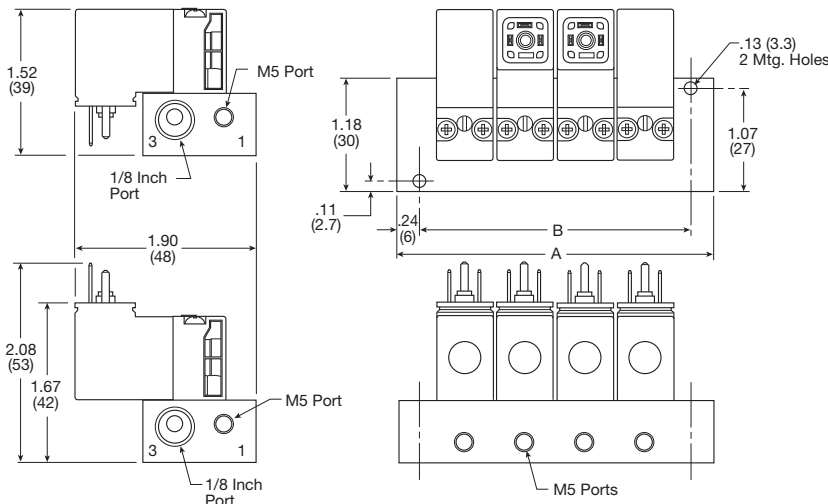


**Examples:**

PSFTNON16EP - End port manifold - Cyl ports and electrical on same side  
 PSESNON10NP - Bottom port manifold - N/C and N/O can be interchanged  
 PSFTNON10NP - End port manifold - Cyl ports and electrical are opposite

**Manifold Dimensions**

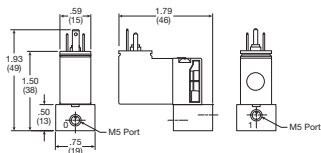
Special mounting considerations must be made for connector assembly clearance when mounting solenoid valves with pins down.



Number of stations	Dim. A	Dim. B
2	2.04 (52)	1.57 (40)
3	2.68 (68)	2.20 (56)
4	3.31 (84)	2.83 (72)
5	3.94 (100)	3.46 (88)
6	4.57 (116)	4.09 (104)
7	5.20 (132)	4.72 (120)
8	5.83 (148)	5.35 (136)
9	6.46 (164)	5.98 (152)
10	7.09 (180)	6.61 (168)
11	7.72 (196)	7.24 (184)
12	8.35 (212)	7.87 (200)
13	8.98 (228)	8.50 (216)
14	9.61 (244)	9.13 (232)
15	10.23 (260)	9.76 (248)
16	10.87 (276)	10.39 (264)
17	11.50 (292)	11.02 (280)
18	12.13 (308)	11.65 (296)
19	12.76 (324)	12.28 (312)
20	13.39 (340)	12.91 (328)

**Subbase Dimensions**

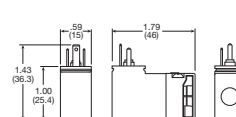
Pins up only.



Most popular.

**15mm Solenoid Dimensions**

Pins up only.



For inventory, lead time, and kit lookup, visit [www.pdnplu.com](http://www.pdnplu.com)

B11

**Parker Hannifin Corporation**  
 Pneumatic Division  
 Richland, Michigan  
[www.parker.com/pneumatics](http://www.parker.com/pneumatics)

**B**

Direct Acting Valves

XM Series

15mm Solenoid Valves

**B**

Direct Acting Valves

XM Series

15mm Solenoid Valves

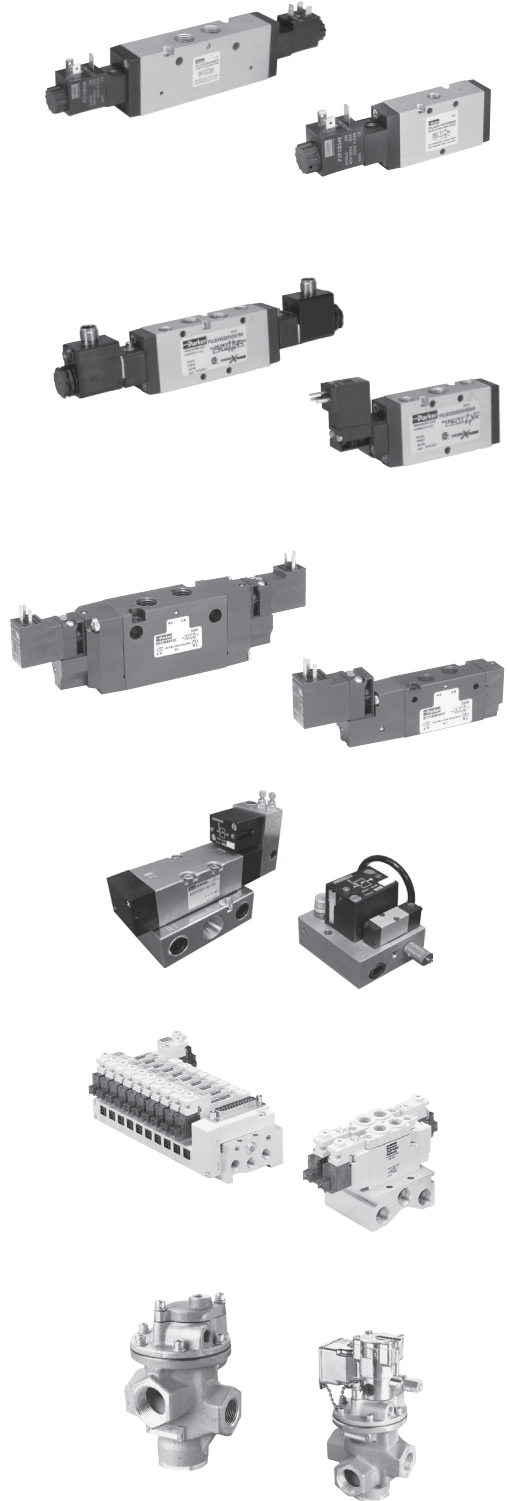


For inventory, lead times, and kit lookup, visit [www.pdnplu.com](http://www.pdnplu.com)

B12

**Parker Hannifin Corporation**  
Pneumatic Division  
Richland, Michigan  
[www.parker.com/pneumatics](http://www.parker.com/pneumatics)

**Pneumatic Valve Products**  
**Inline Valve Series**



**Viking Lite Series**

Features	C2
Common Part Numbers / Ordering Information	C3-C5
Accessories	C6
Dimensional Data	C7-C10

**Viking Xtreme Series**

Features	C11
Common Part Numbers / Ordering Information	C12-C19
Accessories	C20-C23, C28-C30
Technical Data	C24-C27, C31
Dimensional Data	C32-C40

**B Series**

Features	C41
Common Part Numbers / Ordering Information	C42-C48
Accessories	C49-C52, C54
Technical Data	C53, C55-C60
Dimensional Data	C61-C73

**Air Saver Series**

Features	C74-C75
Specifications	C76
Ordering Information / Dimensional Data	C77-C82

**ADEX Series**

Features	C83
Common Part Numbers / Ordering Information	C84
Accessories	C85-C89
Technical Data	C90-C91
Dimensional Data	C92-C95

**N Series**

Features	C96
Common Part Numbers / Ordering Information	C97-C100
Technical Data	C101-C106
Dimensional Data	C107-C113

**C**  
**Inline Valves**



For inventory, lead time, and kit lookup, visit [www.pdnplu.com](http://www.pdnplu.com)

## Viking Lite Series

The Viking Lite valve range is robust, versatile and combines a large flow capacity with short change-over times, designer may choose 1/8, 1/4 or 3/8 port sizes along with 24VDC and 120VAC voltage options. Viking Lite valves are fitted with dynamic bi-directional spool seals suitable for pressures up to 10 bar and ambient temperatures between -10°C to + 50°C. When in service, radial expansion of the spool seal occurs to maintain sealing contact with the valve bore. This sealing method reduces friction and produces a lower required pilot pressure. Valves do not require lubrication in operation but they can also be installed in systems that are lubricated.

### Ports

- P2LAZ: 1/8 inch NPT & BSPP, Cv = 0.6
- P2LBZ: 1/4 inch NPT & BSPP, Cv = 1.5
- P2LCZ: 3/8 inch NPT & BSPP, Cv = 2.5

### Mounting

- Inline
- IEM aluminum bar

### Solenoids

2.5 watts  
- 22mm, 3-pin (DIN 43650)  
24VDC and 120VAC

### • Certification / approval

- IP65 Rated, RoHS, CE

### Materials

Valve body	Anodized aluminium
End covers	Anodized aluminium
Spool	Aluminium
Piston	Acetal plastic / Anodized aluminium
End cover seals	Nitrile rubber
End cover screws	Zinc plated steel
Springs	Stainless steel
Mounting screws for solenoid	Stainless steel
Spool seals	Nitrile

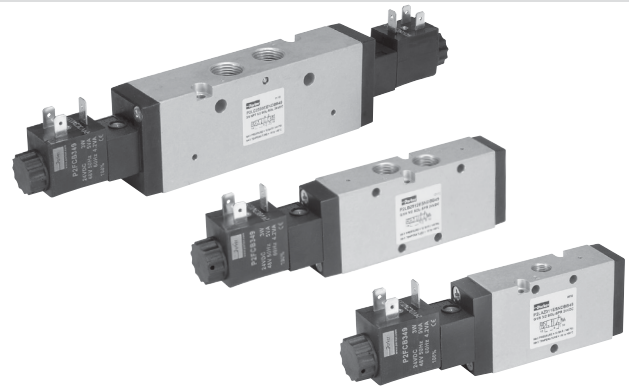
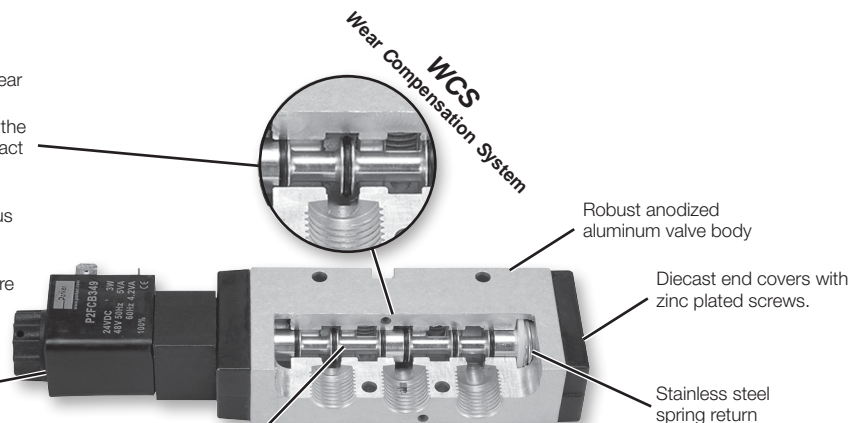
### Features

#### WCS

- Maximum Performance
  - Low friction - fast response - less wear
- Long Cycle Life
  - Under pressure, radial expansion of the seal occurs to maintain sealing contact with the valve bore
- Non-Lube Service
  - No lubrication required for continuous valve shifting
- Bi-Directional Spool Seals
  - Common spool used for any pressure

- Solenoid operated, IP65, RoHS, CE
- 90° rotation

The bore is polished to a very high surface finish for maximum flow capacity and long life.



### Operating information

Operating pressure: 145 PSIG (10 bar)  
Minimum: See chart  
Operating temperature: 14°F to 122°F (-10°C to 50°C)

### Minimum operating pressure, PSIG (bar)

Valve type - Internal pilot	P2LAZ	P2LBZ	P2LCZ
Single solenoid - spring return	43.5 (3.0)	43.5 (3.0)	43.5 (3.0)
Single remote pilot - spring return	43.5 (3.0)	43.5 (3.0)	43.5 (3.0)
Double solenoid - 2-position	22 (1.5)	22 (1.5)	22 (1.5)
Double remote pilot - 2-position	22 (1.5)	22 (1.5)	22 (1.5)
Double solenoid - 3-position (APB, PC, CE)	43.5 (3.0)	43.5 (3.0)	43.5 (3.0)
Double remote pilot - 3-position (APB, PC, CE)	43.5 (3.0)	43.5 (3.0)	43.5 (3.0)

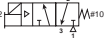

### Recommended air quality for valves

For best possible service life and trouble free operation, ISO 8573-1 quality class 3.4.3 should be used. This means 5µm filter (standard filter) dew point +3°C for indoor operation (a lower dew point should be selected for outdoor operation) and oil concentration 1.0 mg oil/m<sup>3</sup>, which is what a standard compressor with a standard filter gives.





**Common Part Numbers**

**3/2 - 2-Position Single Solenoid, Non-locking Manual Override**

#12 	Port size	Cv	Response time (msec)	Weight lb (kg)	Voltage	Part number	
						(NPT)	(BSPP)
	1/8	0.6	15 / 35	0.35 (0.16)	24VDC	<b>P2LAZ391ESNDBB49</b>	<b>P2LAZ311ESNDBB49</b>
					120VAC	<b>P2LAZ391ESNDBB53</b>	<b>P2LAZ311ESNDBB53</b>
	1/4	1.5	18 / 45	0.35 (0.16)	24VDC	<b>P2LBZ392ESNDBB49</b>	<b>P2LBZ312ESNDBB49</b>
					120VAC	<b>P2LBZ392ESNDBB53</b>	<b>P2LBZ312ESNDBB53</b>
	3/8	2.5	27 / 45	0.77 (0.35)	24VDC	<b>P2LCZ393ESNDBB49</b>	<b>P2LCZ313ESNDBB49</b>
					120VAC	<b>P2LCZ393ESNDBB53</b>	<b>P2LCZ313ESNDBB53</b>



P2LAZ Shown

**3/2 - 2-Position Double Solenoid, Non-locking Manual Override**

#12 	Port size	Cv	Response time (msec)	Weight lb (kg)	Voltage	Part number	
						(NPT)	(BSPP)
	1/8	0.6	10 / 10	0.40 (0.18)	24VDC	<b>P2LAZ391EENDBB49</b>	<b>P2LAZ311EENDBB49</b>
					120VAC	<b>P2LAZ391EENDBB53</b>	<b>P2LAZ311EENDBB53</b>
	1/4	1.5	12 / 12	0.40 (0.18)	24VDC	<b>P2LBZ392EENDBB49</b>	<b>P2LBZ312EENDBB49</b>
					120VAC	<b>P2LBZ392EENDBB53</b>	<b>P2LBZ312EENDBB53</b>
	3/8	2.5	17 / 17	0.80 (0.36)	24VDC	<b>P2LCZ393EENDBB49</b>	<b>P2LCZ313EENDBB49</b>
					120VAC	<b>P2LCZ393EENDBB53</b>	<b>P2LCZ313EENDBB53</b>



P2LAZ Shown

**5/2 - 2-Position Single Solenoid, Non-locking Manual Override**

Sol. 14 	Port size	Cv	Response time (msec)	Weight lb (kg)	Voltage	Part number	
						(NPT)	(BSPP)
	1/8	0.6	15 / 35	.037 (0.17)	24VDC	<b>P2LAZ591ESNDBB49</b>	<b>P2LAZ511ESNDBB49</b>
					120VAC	<b>P2LAZ591ESNDBB53</b>	<b>P2LAZ511ESNDBB53</b>
	1/4	1.5	18 / 45	0.44 (0.20)	24VDC	<b>P2LBZ592ESNDBB49</b>	<b>P2LBZ512ESNDBB49</b>
					120VAC	<b>P2LBZ592ESNDBB53</b>	<b>P2LBZ512ESNDBB53</b>
	3/8	2.5	27 / 45	0.95 (0.43)	24VDC	<b>P2LCZ593ESNDBB49</b>	<b>P2LCZ513ESNDBB49</b>
					120VAC	<b>P2LCZ593ESNDBB53</b>	<b>P2LCZ513ESNDBB53</b>



P2LAZ Shown

**5/2 - 2-Position Double Solenoid, Non-locking Manual Override**

Sol. 14 	Port size	Cv	Response time (msec)	Weight lb (kg)	Voltage	Part number	
						(NPT)	(BSPP)
	1/8	0.6	10 / 10	.042 (0.19)	24VDC	<b>P2LAZ591EENDBB49</b>	<b>P2LAZ511EENDBB49</b>
					120VAC	<b>P2LAZ591EENDBB53</b>	<b>P2LAZ511EENDBB53</b>
	1/4	1.5	12 / 12	0.46 (0.21)	24VDC	<b>P2LBZ592EENDBB49</b>	<b>P2LBZ512EENDBB49</b>
					120VAC	<b>P2LBZ592EENDBB53</b>	<b>P2LBZ512EENDBB53</b>
	3/8	2.5	17 / 17	0.97 (0.44)	24VDC	<b>P2LCZ593EENDBB49</b>	<b>P2LCZ513EENDBB49</b>
					120VAC	<b>P2LCZ593EENDBB53</b>	<b>P2LCZ513EENDBB53</b>

P2LAZ Shown

**5/3 - 3-Position, All Ports Blocked, Non-locking Manual Override**

Sol. 14 	Port size	Cv	Response time (msec)	Weight lb (kg)	Voltage	Part number	
						(NPT)	(BSPP)
	1/8	0.6	18 / 40	0.57 (0.26)	24VDC	<b>P2LAZ691EENDBB49</b>	<b>P2LAZ611EENDBB49</b>
					120VAC	<b>P2LAZ691EENDBB53</b>	<b>P2LAZ611EENDBB53</b>
	1/4	1.5	22 / 55	0.62 (0.28)	24VDC	<b>P2LBZ692EENDBB49</b>	<b>P2LBZ612EENDBB49</b>
					120VAC	<b>P2LBZ692EENDBB53</b>	<b>P2LBZ612EENDBB53</b>
	3/8	2.5	30 / 90	1.32 (0.60)	24VDC	<b>P2LCZ693EENDBB49</b>	<b>P2LCZ613EENDBB49</b>
					120VAC	<b>P2LCZ693EENDBB53</b>	<b>P2LCZ613EENDBB53</b>

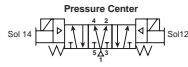
P2LAZ Shown

 **Most popular.** **Notes:** Response time: Actuate to 90% pressure / return to exhaust to 10% of supply pressure. 93 PSIG (6.3 bar) / temperature 68°F (20°C)



For inventory, lead time, and kit lookup, visit [www.pdnplu.com](http://www.pdnplu.com)

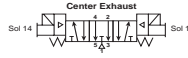
5/3 - 3-Position, Pressure Center, Non-locking Manual Override



P2LAZ Shown

Port size	Cv	Response time (msec)	Weight lb (kg)	Voltage	Part number (NPT)	Part number (BSPP)
1/8	0.6	18 / 40	0.57 (0.26)	24VDC	<b>P2LAZ791EENDBB49</b>	<b>P2LAZ711EENDBB49</b>
				120VAC	<b>P2LAZ791EENDBB53</b>	<b>P2LAZ711EENDBB53</b>
1/4	1.5	22 / 55	0.62 (0.28)	24VDC	<b>P2LBZ792EENDBB49</b>	<b>P2LBZ712EENDBB49</b>
				120VAC	<b>P2LBZ792EENDBB53</b>	<b>P2LBZ712EENDBB53</b>
3/8	2.5	30 / 90	1.32 (0.60)	24VDC	<b>P2LCZ793EENDBB49</b>	<b>P2LCZ713EENDBB49</b>
				120VAC	<b>P2LCZ793EENDCB53</b>	<b>P2LCZ713EENDBB53</b>

5/3 - 3-Position, Center Exhaust



P2LAZ Shown

Port size	Cv	Response time (msec)	Weight lb (kg)	Voltage	Part number (NPT)	Part number (BSPP)
1/8	0.6	18 / 40	0.57 (0.26)	24VDC	<b>P2LAZ891EENDBB49</b>	<b>P2LAZ811EENDBB49</b>
				120VAC	<b>P2LAZ891EENDBB53</b>	<b>P2LAZ811EENDBB53</b>
1/4	1.5	22 / 55	0.62 (0.28)	24VDC	<b>P2LBZ892EENDBB49</b>	<b>P2LBZ812EENDBB49</b>
				120VAC	<b>P2LBZ892EENDBB53</b>	<b>P2LBZ812EENDBB53</b>
3/8	2.5	30 / 90	1.32 (0.60)	24VDC	<b>P2LCZ893EENDBB49</b>	<b>P2LCZ813EENDBB49</b>
				120VAC	<b>P2LCZ893EENDBB53</b>	<b>P2LCZ813EENDBB53</b>

Notes: Response time: Actuate to 90% pressure / return to exhaust to 10% of supply pressure. 93 PSIG (6.3 bar) / temperature 68°F (20°C)

Viking Lite Single & Double Solenoid Operated Valves

**P2L A Z 5 91 ES N D C B 49**

**Valve size**

1/8"	A
1/4"	B
3/8"	C

**Series**

Viking Lite	Z
-------------	---

**Valve type / function**

<i>Internal pilot supply to solenoid</i>	
3/2 NC - 2-position	3
5/2 2-position	5
5/3 3-position, APB	6
5/3 3-position, PC	7
5/3 3-position, CE	8

**Main port thread**

G1/8 (P2LA)	11
G1/4 (P2LB)	12
G3/8 (P2LC)	13
1/8" NPT (P2LA)	91
1/4" NPT (P2LB)	92
3/8" NPT (P2LC)	93

**Voltage / frequency**

49	24VDC
53	120VAC
Blank	Valve less coil

**Enclosures / lead length**

B	22mm rectangular 3-pin - type B industrial (male only)
N	Valve less coil

**Overrides**

C	Extended - locking
B	Flush - non-locking

**Solenoid pilot type**

D	Pilot exhaust vented
---	----------------------

**Valve type**

N	14°F to 122°F (-10°C to 50°C)
---	-------------------------------

**12 End operator**

EE	Double solenoid
ES*	Single solenoid, spring return

\* Not available with 3-position valves.

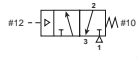
Most popular.



For inventory, lead times, and kit lookup, visit [www.pdnplu.com](http://www.pdnplu.com)

Part Numbers / Ordering Information

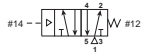
Single Remote Air Pilot, 3-way, 2-position



P2LBZ Shown

Port size (NPT)	Cv	Response time (msec)	Weight lb (kg)	Valve type	Part number
1/8"	0.7	15 / 45	0.25 (0.11)	P2LAX	<b>P2LAZ391PS</b>
1/4"	1.3	25 / 65	0.25 (0.11)	P2LBX	<b>P2LBZ392PS</b>
3/8"	2.5	25 / 65	0.67 (0.30)	P2LCX	<b>P2LCZ393PS</b>

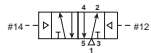
Single Remote Air Pilot, 4-way, 2-position



P2LBZ Shown

Port size (NPT)	Cv	Response time (msec)	Weight lb (kg)	Valve type	Part number
1/8"	0.7	15 / 45	0.27 (0.12)	P2LAX	<b>P2LAZ591PS</b>
1/4"	1.3	20 / 55	0.27 (0.12)	P2LBX	<b>P2LBZ592PS</b>
3/8"	2.5	25 / 85	0.85 (0.35)	P2LCX	<b>P2LCZ593PS</b>

Double Remote Air Pilot, 4-way, 2-position



P2LBZ Shown

Port size (NPT)	Cv	Response time (msec)	Weight lb (kg)	Valve type	Part number
1/8"	0.7	11 / 11	0.22 (0.10)	P2LAX	<b>P2LAZ591PP</b>
1/4"	1.3	13 / 13	0.26 (0.12)	P2LBX	<b>P2LBZ592PP</b>
3/8"	2.5	18 / 18	0.77 (0.35)	P2LCX	<b>P2LCZ593PP</b>

Notes: Response time: Actuate to 90% pressure / return to exhaust to 10% of supply pressure. 93 PSIG (6.3 bar) / temperature 68°F (20°C).

Viking Lite Remote Air Pilot Operated Valves

**P2LAZ591PS**

Valve size	
1/8"	A
1/4"	B
3/8"	C

Operators / return	
PP	Double remote pilot, 5/32" (4mm) tube
PS*	Single remote pilot, spring return, 5/32" (4mm) tube

\* Not available with 3-position valves.

Valve type / function	
<i>Internal pilot supply to solenoid</i>	
3/2 NC - 2-position	3
5/2 2-position	5
5/3 3-position, APB	6
5/3 3-position, PC	7
5/3 3-position, CE	8

Main port thread	
11	G1/8 (P2LA)
12	G1/4 (P2LB)
13	G3/8 (P2LC)
<b>91</b>	<b>1/8" NPT (P2LA)</b>
<b>92</b>	<b>1/4" NPT (P2LB)</b>
<b>93</b>	<b>3/8" NPT (P2LC)</b>

   Most popular.



For inventory, lead time, and kit lookup, visit [www.pdnplu.com](http://www.pdnplu.com)

Accessories

IEM Bar Manifold, Inline Valve Only\*



Valve series	Valve function	# of Stations	Weight lb (kg)	Manifold only (NPT)	Manifold only (BSPP)
P2LAZ / P2LBZ	3-way	2	0.84 (0.38)	<b>91213202SXZN</b>	<b>91213202SXZ</b>
P2LAZ / P2LBZ	3-way	4	1.41 (0.64)	<b>91213204SXZN</b>	<b>91213204SXZ</b>
P2LAZ / P2LBZ	3-way	6	1.96 (0.89)	<b>91213206SXZN</b>	<b>91213206SXZ</b>
P2LAZ / P2LBZ	3-way	8	2.54 (1.15)	<b>91213208SXZN</b>	<b>91213208SXZ</b>
P2LAZ / P2LBZ	3-way	10	3.09 (1.40)	<b>91213210SXZN</b>	<b>91213210SXZ</b>

Kits include: Manifold, valve hold down bolts, gaskets.



Valve series	Valve function	# of Stations	Weight lb (kg)	Manifold only (NPT)	Manifold only (BSPP)
P2LAZ	4-way	2	0.68 (0.31)	<b>9121658068N</b>	<b>9121658068</b>
P2LAZ	4-way	4	1.06 (0.48)	<b>9121658075N</b>	<b>9121658075</b>
P2LAZ	4-way	6	1.39 (0.63)	<b>9121658076N</b>	<b>9121658076</b>
P2LAZ	4-way	8	1.76 (0.80)	<b>9121658077N</b>	<b>9121658077</b>
P2LAZ	4-way	10	2.16 (0.98)	<b>9121658078N</b>	<b>9121658078</b>

Kits include: Manifold, valve hold down bolts, gaskets.



Valve series	Valve function	# of Stations	Weight lb (kg)	Manifold only (NPT)	Manifold only (BSPP)
P2LBZ	4-way	2	1.53 (0.69)	<b>9121594805XN</b>	<b>9121594805X</b>
P2LBZ	4-way	4	2.49 (1.13)	<b>9121594806XN</b>	<b>9121594806X</b>
P2LBZ	4-way	6	3.44 (1.56)	<b>9121594807XN</b>	<b>9121594807X</b>
P2LBZ	4-way	8	4.41 (2.00)	<b>9121594808XN</b>	<b>9121594808X</b>
P2LBZ	4-way	10	5.40 (2.45)	<b>9121594812XN</b>	<b>9121594812X</b>

Kits include: Manifold, valve hold down bolts, gaskets.

\* For odd number of stations, consider Viking Xtreme bar manifold.

IEM Bar Manifold, Inline Valve Only



Valve series	Valve function	# of Stations	Manifold only (NPT & BSPP)
P2LCZ	4-way		Use Viking Xtreme IEM bar manifold

Note: Only 4-way Viking Lite will mount on Viking Xtreme manifold. If 3-way desired, use 4-way and plug part #2 for N.C. valve function.

Manifold Accessories / Parts



Valve series	Description	Weight lb (kg)	Kit number
P2LAZ / P2LBZ *	3-way: Blanking kit with mounting screws (2)	0.22 (0.10)	<b>912132BPSXZ</b>
P2LAZ *	4-way: Blanking kit with mounting screws (2)	0.11 (0.05)	<b>9121658063</b>
P2LBZ *	4-way: Blanking kit with mounting screws (2)	0.04 (0.02)	<b>9121594809X</b>

\*Note: O-ring for blanking kit included with manifold. For replacement o-rings or fastener bolts, use Viking Xtreme Kits.

22mm Rectangular 3-Pin – Type B Industrial  
(Use with Enclosure “B”)

Description	Connector with 6' (2m) cord	Connector
Unlighted	<b>PS2429JBP</b>	<b>PS2429BP</b>
Light – 24VDC	<b>PS2430J79BP*</b>	<b>PS243079BP</b>
Light – 120V/60Hz	<b>PS2430J83BP*</b>	<b>PS243083BP</b>

\* LED with surge suppression.

**Note:** Max ø6.5mm cable size required for connector w/o 6' (2m) cord.  
IP65 rated when properly installed.

Engineering data:

conductors: 2 poles plus ground; cable range (connector only):  
6 to 8mm (0.24 To 0.31 Inch); contact spacing: 11mm

Most popular.

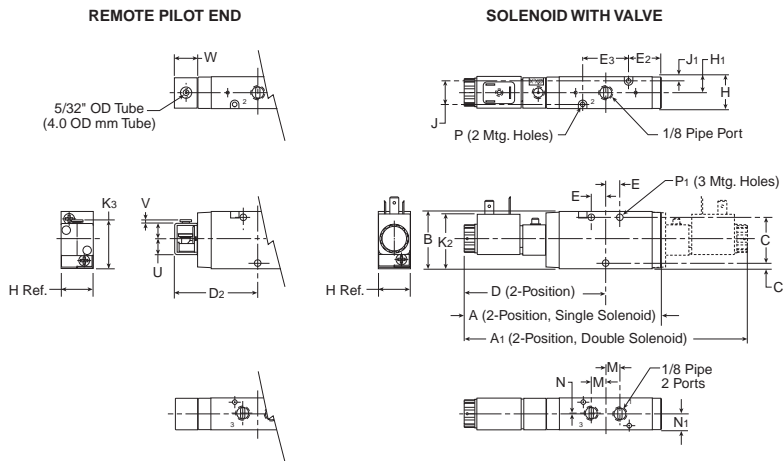
Replacement Parts

Description	Part number
24VDC solenoid coil kit	<b>P2FCB449</b>
110VAC solenoid coil kit	<b>P2FCB453</b>
Remote pilot kit	<b>P2FP1P</b>
*Includes adaptor, gasket, screws	
Solenoid nut, diffuser	<b>PS1556</b>
Solenoid nut, vented	<b>PS2892P</b>



For inventory, lead times, and kit lookup, visit [www.pdnplu.com](http://www.pdnplu.com)

**P2LAZ 3/2 Single & Double Operators – Solenoid & Remote Air Pilot**

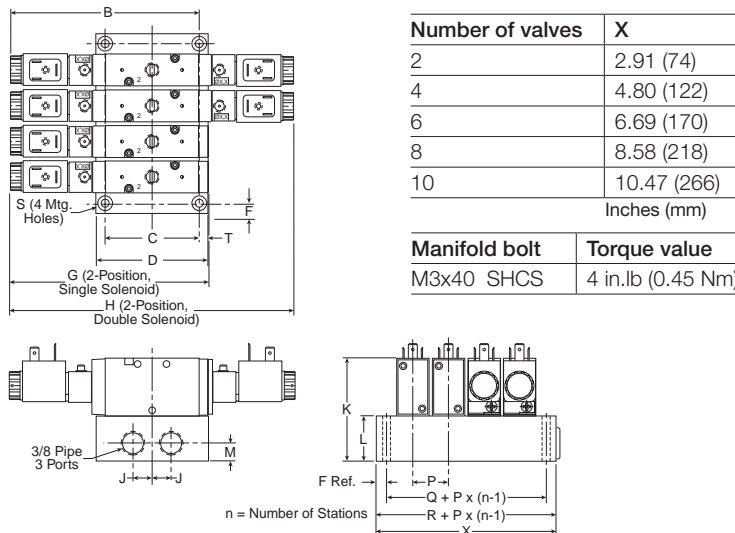


**P2LAZ 3/2  
 Solenoid & remote air pilot**

A	A1	B	C	C1	D
5.35 (136)	7.68 (195)	1.57 (40)	1.26 (32)	.16 (4)	3.84 (97.5)
D2	E	E2	E3	H	H1
2.28 (58)	.39 (10)	.91 (23)	1.26 (32)	.87 (22)	.43 (11)
J	J1	K2	K3	M	N
.65 (16.5)	.11 (2.75)	1.50 (38)	1.31 (33.2)	.39 (10)	.02 (.5)
N1	P	P1	U	V	W
.43 (11)	Ø .12 Ø (3.1)	Ø .17 Ø (4.3)	0.43 (11)	0.087 (2.2)	0.59 (15.2)

Inches (mm)

**P2LAZ 3/2 Single & Double Operators – IEM Aluminum Bar Manifold**

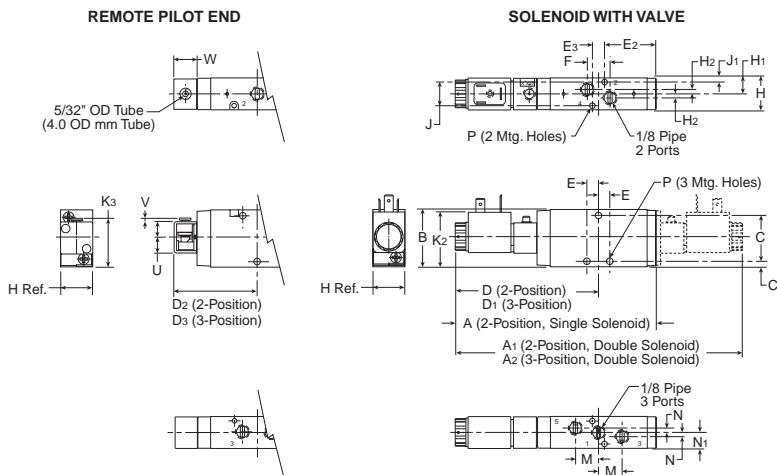


**P2LAZ 3/2  
 IEM Aluminum bar manifold**

B	C	D	F	G
5.06 (128.5)	2.44 (62)	2.99 (76)	.28 (7)	5.35 (136)
H	J	K	L	M
7.68 (195)	.51 (13)	2.78 (70.5)	1.20 (30.5)	.47 (12)
P	Q	R	S	T
.94 (24)	1.42 (36)	1.97 (50)	Ø .22 Ø (5.5)	.88 (7)

Inches (mm)

**P2LAZ 5/2 & 5/3 Single & Double Operators – Solenoid & Remote Air Pilot**



**P2LAZ 5/2 & 5/3  
 Solenoid & remote air pilot**

A	A1	A2	B	C	C1
5.47 (139)	7.76 (197)	8.70 (221)	1.57 (40)	1.30 (33)	.14 (3.5)
D	D1	D2	D3	E	E2
3.88 (98.5)	4.35 (110.5)	2.33 (59.3)	2.80 (71)	.31 (8)	1.86 (47.3)
E3	F	H	H1	H2	J
.33 (8.5)	.63 (16)	.87 (22)	.43 (11)	.12 (3)	.63 (16)
J1	K2	K3	M	N	N1
.12 (3)	1.50 (38)	1.31 (33.2)	.63 (16)	.12 (3)	.43 (11)
P	U	V	W		
Ø .16 Ø (4.1)	0.43 (11)	0.087 (2.2)	0.59 (15.2)		

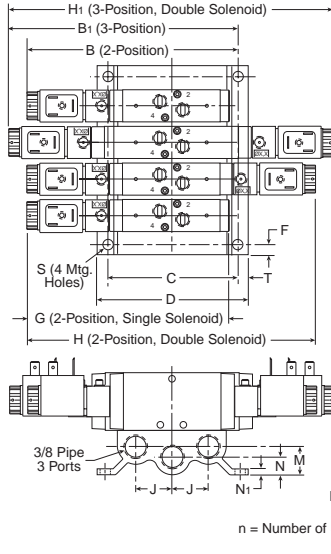
Inches (mm)



For inventory, lead time, and kit lookup, visit [www.pdnplu.com](http://www.pdnplu.com)



**P2LAZ 5/2 & 5/3 Single & Double Operators – IEM Aluminum Bar Manifold**

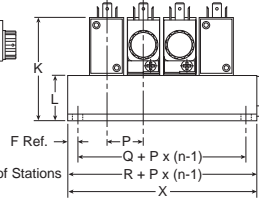


Number of valves	X
2	3.07 (78)
4	4.96 (126)
6	6.85 (174)
8	8.74 (222)
10	10.63 (270)
Inches (mm)	
Manifold bolt	Torque value
M4x45 Screw MRX	9 in.lb (0.75 Nm)

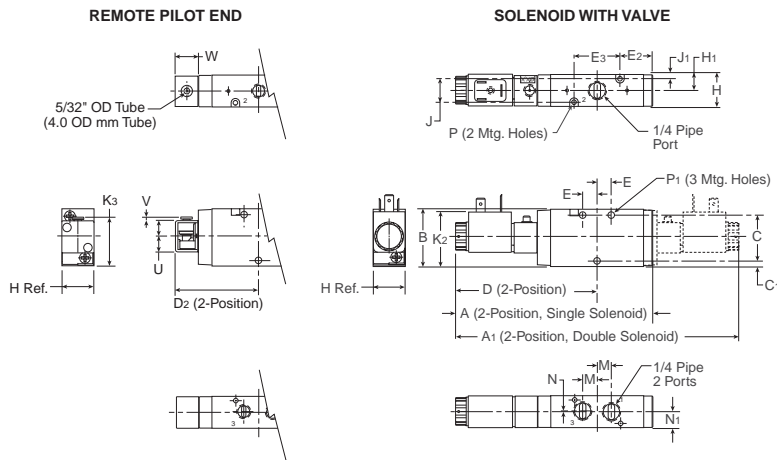
**P2LAZ 5/2 & 5/3  
 IEM Aluminum bar manifold**

B	B <sub>1</sub>	C	D	F
5.10 (149.5)	6.36 (161.5)	3.46 (88)	4.02 (102)	.28 (7)
G	H	H <sub>1</sub>	J	K
5.47 (139)	7.76 (197)	8.70 (221)	.96 (24.5)	2.76 (70)
L	M	N	N <sub>1</sub>	P
1.18 (30)	.75 (19)	.47 (12)	.16 (4)	.94 (24)
Q	R	S	T	
1.57 (40)	2.13 (54)	∅.28 ∅ (7)	.28 (7)	
Inches (mm)				

n = Number of Stations



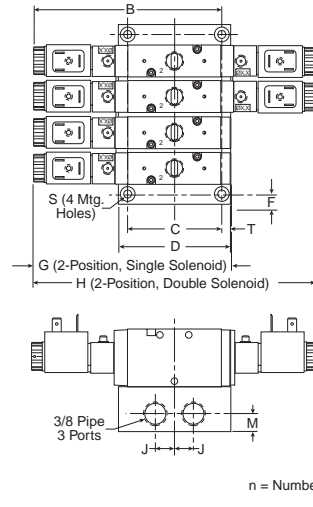
**P2LBZ 3/2 Single & Double Operators – Solenoid & Remote Air Pilot**



**P2LBZ 3/2  
 Solenoid & remote air pilot**

A	A <sub>1</sub>	B	C	C <sub>1</sub>	D
5.35 (136)	7.68 (195)	1.57 (40)	1.26 (32)	.16 (4)	3.84 (97.5)
D <sub>2</sub>	E	E <sub>1</sub>	E <sub>3</sub>	H	H <sub>1</sub>
2.28 (58)	.39 (10)	.91 (23)	1.26 (32)	.87 (22)	.43 (11)
J	J <sub>1</sub>	K <sub>2</sub>	K <sub>3</sub>	M	N
.65 (16.5)	.11 (2.75)	1.50 (38)	1.31 (33.2)	.39 (10)	.02 (.5)
N <sub>1</sub>	P	P <sub>1</sub>	U	V	W
.43 (11)	∅.12 ∅ (3.1)	∅.17 ∅ (4.3)	0.43 (11)	0.087 (2.2)	0.59 (15.2)
Inches (mm)					

**P2LBZ 3/2 Single & Double Operators – IEM Aluminum Bar Manifold**

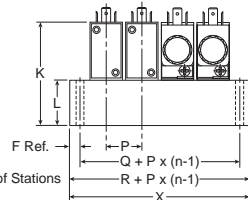


Number of valves	X
2	2.91 (74)
4	4.80 (122)
6	6.69 (170)
8	8.58 (218)
10	10.47 (266)
Inches (mm)	
Manifold bolt	Torque value
M3x40 SCHS	4 in.lb (0.45 Nm)

**P2LBZ 3/2  
 IEM Aluminum bar manifold**

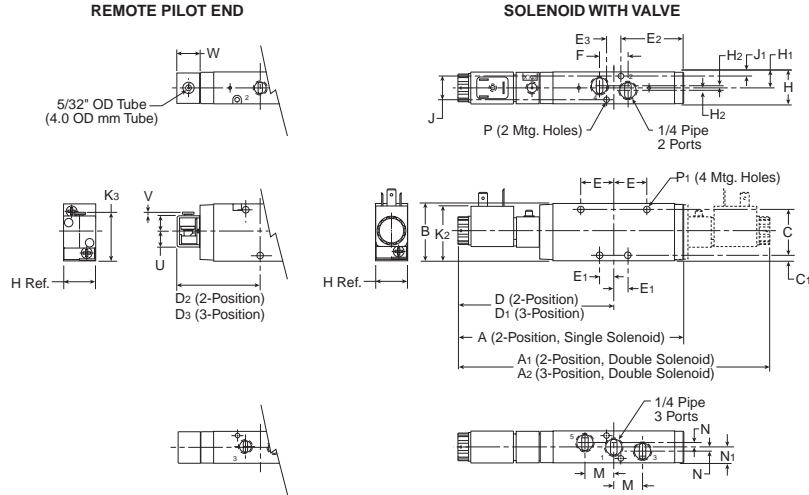
B	C	D	F	G
5.06 (128.5)	2.44 (62)	2.99 (76)	.28 (7)	5.35 (136)
H	J	K	L	M
7.68 (195)	.51 (13)	2.78 (70.5)	1.20 (30.5)	.47 (12)
P	Q	R	S	T
.94 (24)	1.42 (36)	1.97 (50)	∅.22 ∅ (5.5)	.88 (7)
Inches (mm)				

n = Number of Stations



For inventory, lead times, and kit lookup, visit [www.pdnplu.com](http://www.pdnplu.com)

**P2LBZ 5/2 & 5/3 Single & Double Operators – Solenoid & Remote Air Pilot**

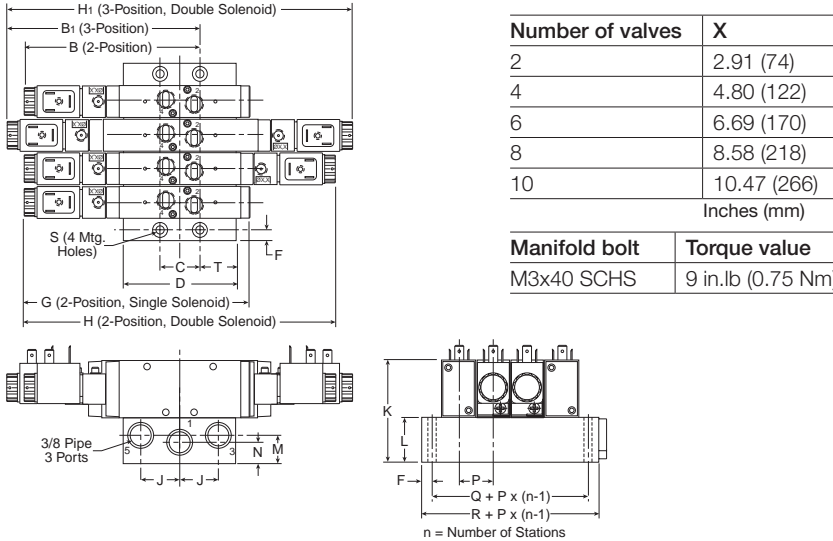


**P2LBZ 5/2 & 5/3 Solenoid & remote air pilot**

<b>A</b>	<b>A1</b>	<b>A2</b>	<b>B</b>	<b>C</b>	<b>C1</b>
6.14 (156)	8.46 (215)	9.29 (236)	1.57 (40)	1.26 (32)	.16 (4)
<b>D</b>	<b>D1</b>	<b>D2</b>	<b>D3</b>	<b>E</b>	<b>E1</b>
4.23 (107.5)	4.65 (118)	2.68 (68)	3.09 (78.5)	.91 (23)	.39 (10)
<b>E2</b>	<b>E3</b>	<b>F</b>	<b>H</b>	<b>H1</b>	<b>H2</b>
1.14 (29)	.39 (10)	.79 (20)	.87 (22)	.43 (11)	.06 (1.5)
<b>J</b>	<b>J1</b>	<b>K2</b>	<b>K3</b>	<b>M</b>	<b>N</b>
.65 (16.5)	.11 (2.8)	1.50 (38)	1.31 (33.2)	.79 (20)	.08 (2)
<b>N1</b>	<b>P</b>	<b>P1</b>	<b>U</b>	<b>V</b>	<b>W</b>
.43 (11)	Ø .12 Ø (3.1)	Ø .17 Ø (4.3)	0.43 (11)	0.087 (2.2)	0.59 (15.2)

Inches (mm)

**P2LBZ 5/2 & 5/3 Single & Double Operators – IEM Aluminum Bar Manifold**

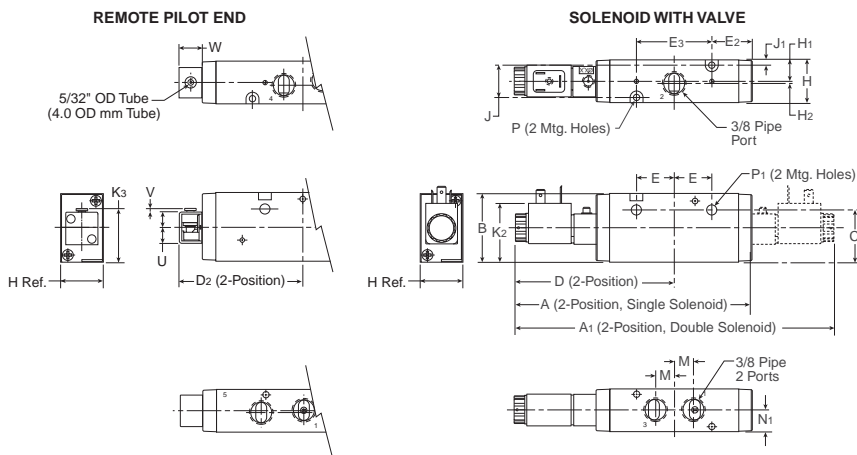


**P2LBZ 5/2 & 5/3 IEM Aluminum bar manifold**

<b>B</b>	<b>B1</b>	<b>C</b>	<b>D</b>	<b>F</b>
4.43 (112.5)	4.84 (123)	1.04 (26.5)	2.99 (76)	.28 (7)
<b>G</b>	<b>H</b>	<b>H1</b>	<b>J</b>	<b>K</b>
6.14 (156)	8.46 (215)	9.29 (236)	1.02 (26)	2.781 (70.5)
<b>L</b>	<b>M</b>	<b>N</b>	<b>P</b>	<b>Q</b>
1.20 (30.5)	.75 (19)	.57 (14.5)	.94 (24)	1.57 (40)
<b>R</b>	<b>S</b>	<b>T</b>		
1.97 (50)	Ø .22 Ø (5.5)	.97 (25)		

Inches (mm)

**P2LCZ 3/2 Single & Double Operators – Solenoid & Remote Pilot**



**P2LCZ 3/2 Solenoid & remote air pilot**

<b>A</b>	<b>A1</b>	<b>B</b>	<b>C</b>	<b>D</b>	<b>D2</b>
6.50 (165)	8.66 (220)	1.89 (48)	1.46 (37)	4.33 (110)	2.78 (70.5)
<b>E</b>	<b>E2</b>	<b>E3</b>	<b>H</b>	<b>H1</b>	<b>H2</b>
1.04 (26.5)	1.10 (28)	2.09 (53)	1.18 (30)	.59 (15)	.06 (1.55)
<b>J</b>	<b>J1</b>	<b>K2</b>	<b>K3</b>	<b>M</b>	<b>N1</b>
.91 (23)	.14 (3.5)	1.50 (38)	1.46 (37.2)	.53 (13.5)	.59 (15)
<b>P</b>	<b>P1</b>	<b>U</b>	<b>V</b>	<b>W</b>	
Ø .17 Ø (4.4)	Ø .27 Ø (6.9)	0.43 (11)	0.087 (2.2)	0.59 (15.2)	

Inches (mm)



For inventory, lead time, and kit lookup, visit [www.pdnplu.com](http://www.pdnplu.com)

C

Inline Valves

Viking Lite

Viking Extreme

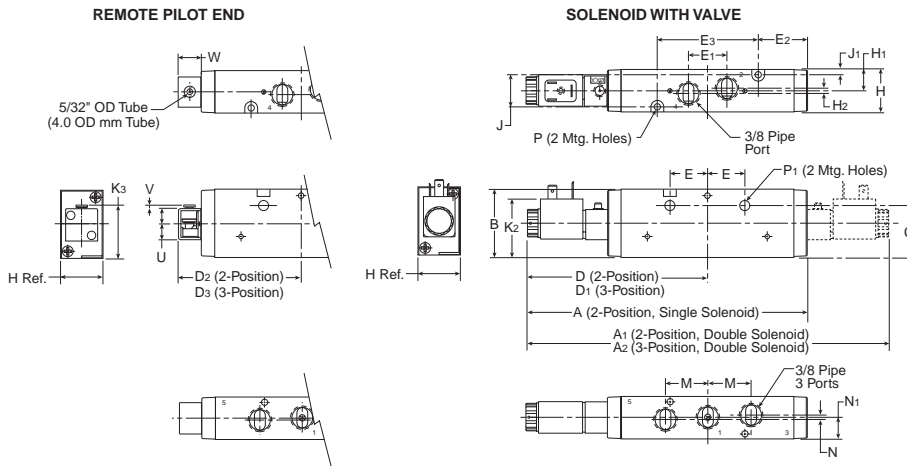
"B" Series

Air Saver Unit

ADEX Series

"N" Series

**P2LCZ 5/2 & 5/3 Single & Double Operators – Solenoid & Remote Air Pilot**

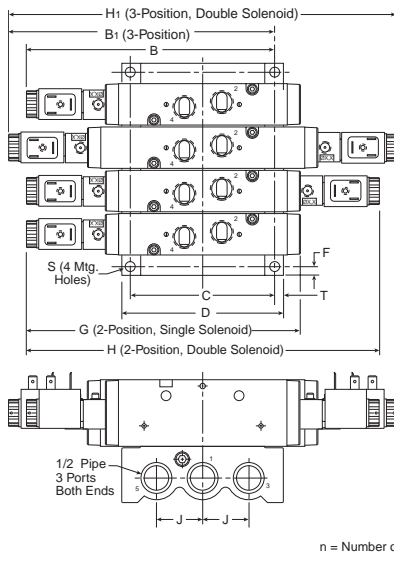


**P2LBZ 5/2 & 5/3  
 Solenoid & remote air pilot**

<b>A</b>	<b>A1</b>	<b>A2</b>	<b>B</b>	<b>C</b>
7.68 (195)	9.88 (251)	10.70 (272)	1.89 (48)	1.46 (37)
<b>D</b>	<b>D1</b>	<b>D2</b>	<b>D3</b>	<b>E</b>
4.94 (125.5)	5.35 (136)	3.39 (86)	3.80 (96.5)	1.04 (26.5)
<b>E1</b>	<b>E2</b>	<b>E3</b>	<b>H</b>	<b>H1</b>
1.06 (27)	1.71 (43.5)	2.80 (71)	1.18 (30)	.59 (15)
<b>H2</b>	<b>J</b>	<b>J1</b>	<b>K2</b>	<b>K3</b>
.12 (.3)	.91 (23)	.14 (3.5)	1.50 (38)	1.48 (37.5)
<b>M</b>	<b>N</b>	<b>N1</b>	<b>P</b>	<b>P1</b>
1.18 (30)	.08 (2)	.59 (15)	Ø .17 (Ø 4.4)	Ø .27 (Ø 6.9)
<b>U</b>	<b>V</b>	<b>W</b>		
0.43 (11)	0.087 (2.2)	0.59 (15.2)		

Inches (mm)

**P2LCZ 5/2 & 5/3 Single & Double Operators – IEM Aluminum Bar Manifold**



<b>Number of valves</b>	<b>X</b>
2	3.29 (84)
4	5.96 (152)
6	8.44 (215)
8	10.93 (278)
10	13.41 (341)
Inches (mm)	

<b>Manifold bolt</b>	<b>Torque value</b>
M4x50 SCHS	15 in.lb (2.0 Nm)

**P2LCZ 5/2 & 5/3  
 IEM Aluminum bar manifold**

<b>C</b>	<b>D</b>	<b>F</b>	<b>G</b>	<b>H</b>
3.97 (101)	4.41 (112)	.24 (6)	7.68 (195)	9.88 (251)
<b>H1</b>	<b>J</b>	<b>K</b>	<b>L</b>	<b>P</b>
10.70 (272)	1.26 (32)	3.43 (87)	1.54 (39)	1.24 (31.5)
<b>Q</b>	<b>R</b>	<b>S</b>	<b>T</b>	
1.77 (45)	2.24 (57)	Ø .26 (Ø 6.5)	.24 (6)	

Inches (mm)

**C**  
 Inline Valves  
 Viking Lite  
 Viking Extreme  
 "B" Series  
 Air Saver Unit  
 ADEX Series  
 "N" Series



For inventory, lead times, and kit lookup, visit [www.pdnplu.com](http://www.pdnplu.com)

## Viking Xtreme Series

The Viking Xtreme valve range is robust, versatile and combines high performance with compact installation dimensions. Large flow capacity, short change-over times and low change-over pressure are important characteristics of this valve range.

### Ports

- P2LAX: 1/8 inch NPT & BSPP
- P2LBX: 1/4 inch NPT & BSPP
- P2LCX: 3/8 inch NPT & BSPP
- P2LDX: 1/2 inch NPT & BSPP

### Mounting

- Inline
- IEM aluminum bar

### Solenoids

1.2 watts to 7.3 watts

- 22mm (Type B) & 30mm 3-pin (DIN 43650)
- 15mm 3-pin (EN 17530-803)
- M12, 4-pin, surge suppression
- Grommet, surge suppression
- Conduit
- Deutsche Connectors, surge suppression

- 12VDC to 240VAC

### Certification / approval

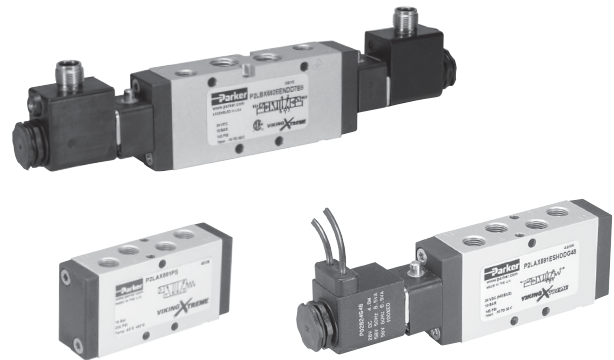
- IP65 Rated, RoHS, CE
- CSA Approved to 145 PSIG (10 bar)
- ATEX option available

### Mobile applications

- Viking Xtreme tested to +5g shock and vibration
- Solenoids operate with wide voltage tolerance bands
- Corrosion resistant design
- Passed 500 hour salt spray test

### Material specifications

Body	Anodized aluminum
End caps	Anodized aluminum
Coils	Thermoplastic
Fasteners	Stainless steel
Spool	Aluminum and nitrile rubber
Springs	Stainless steel



### Operating information

#### Operating pressure:

Normal: Vacuum to 145 PSIG (Vacuum to 10 bar)  
 Xtreme: (P2LAX & P2LBX) Vacuum to 232 PSIG (Vacuum to 16 bar)  
 (P2LCX & P2LDX) Vacuum to 174 PSIG (Vacuum to 12 bar)  
 Minimum: See chart

#### Operating temperature:

Normal: 14°F to 122°F (-10°C to 50°C)  
 Xtreme: -40°F to 158°F (-40°C to 70°C)

### Minimum operating pressure, PSIG (bar)

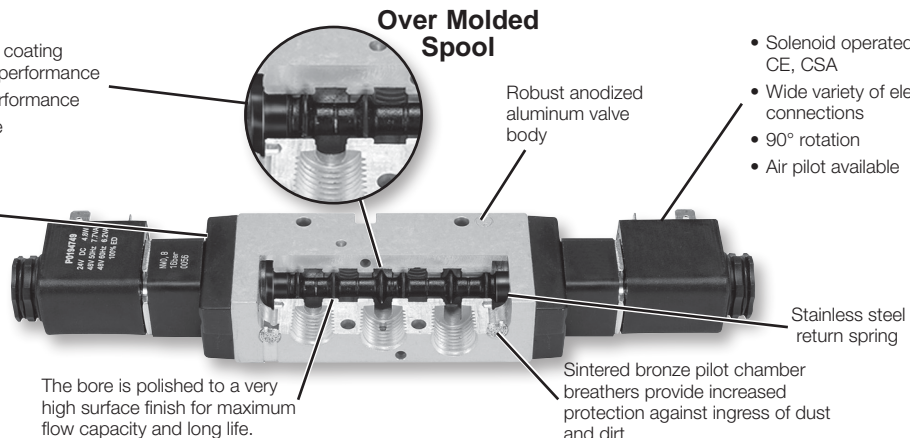
Valve type - Internal pilot	P2LAX	P2LBX	P2LCX	P2LDX
Single solenoid - spring return	46 (3.2)	51 (3.5)	51 (3.5)	51 (3.5)
Single remote pilot - spring return	46 (3.2)	51 (3.5)	51 (3.5)	51 (3.5)
Double solenoid - 2-position	22 (1.5)	22 (1.5)	22 (1.5)	22 (1.5)
Double remote pilot - 2-position	22 (1.5)	22 (1.5)	22 (1.5)	22 (1.5)
Double solenoid - 3-position (APB, PC, CE)	51 (3.5)	51 (3.5)	51 (3.5)	51 (3.5)
Double remote pilot - 3-position (APB, PC, CE)	51 (3.5)	51 (3.5)	51 (3.5)	51 (3.5)

## Features

### Over Molded Spool





- Aluminum spool with nitrile rubber coating ground to exact size for optimum performance
- Precision ground for maximum performance
- Wide operating temperature range
  - Low temperature to -40°

Diecast end covers with stainless steel screws to resist aggressive environments.



For inventory, lead time, and kit lookup, visit [www.pdnplu.com](http://www.pdnplu.com)

**Single Solenoid, 3-way, 2-position, Normal Operating Pressure / Temperature, Non-locking Manual Override**

Solenoid	Port size (NPT)	Cv	Valve type	Response time (msec)	Weight lb (kg)	Voltage	Part number		
 <p>P2LAX 22mm DIN Shown</p>	1/8"	0.7	P2LAX	18 / 40	0.84 (0.38)	24VDC	<b>P2LAX391ESNDDDB49</b>		
						120VAC	<b>P2LAX391ESNDDDB53</b>		
		1/4"	1.3	P2LBX	18 / 45	0.84 (0.38)	24VDC	<b>P2LBX392ESNDDDB49</b>	
							120VAC	<b>P2LBX392ESNDDDB53</b>	
	3/8"	2.5	P2LCX	25 / 75	1.72 (0.78)	24VDC	<b>P2LCX393ESNDDDB49</b>		
						120VAC	<b>P2LCX393ESNDDDB53</b>		
	1/2"	2.7	P2LDX	25 / 75	1.72 (0.78)	24VDC	<b>P2LDX394ESNDDDB49</b>		
	 <p>P2LAX 18" Grommet Shown</p>	1/8"	0.7	P2LAX	18 / 40	0.84 (0.38)	24VDC	<b>P2LAX391ESNDDDG49</b>	
							120VAC	<b>P2LAX391ESNDDDG53</b>	
			1/4"	1.3	P2LBX	18 / 45	0.84 (0.38)	24VDC	<b>P2LBX392ESNDDDG49</b>
								120VAC	<b>P2LBX392ESNDDDG53</b>
		3/8"	2.5	P2LCX	25 / 75	1.72 (0.78)	24VDC	<b>P2LCX393ESNDDDG49</b>	
120VAC							<b>P2LCX393ESNDDDG53</b>		
1/2"		2.7	P2LDX	25 / 75	1.72 (0.78)	24VDC	<b>P2LDX394ESNDDDG49</b>		
 <p>P2LAX M12 Coil Shown</p>		1/8"	0.7	P2LAX	18 / 40	0.84 (0.38)	24VDC	<b>P2LAX391ESNDD7B9</b>	
							120VAC	<b>P2LAX391ESNDD7B9</b>	
			1/4"	1.3	P2LBX	18 / 45	0.84 (0.38)	24VDC	<b>P2LBX392ESNDD7B9</b>
								120VAC	<b>P2LBX392ESNDD7B9</b>
		3/8"	2.5	P2LCX	25 / 75	1.72 (0.78)	24VDC	<b>P2LCX393ESNDD7B9</b>	
	120VAC						<b>P2LCX393ESNDD7B9</b>		
	1/2"	2.7	P2LDX	25 / 75	1.72 (0.78)	24VDC	<b>P2LDX394ESNDD7B9</b>		
	 <p>P2LAX 15mm DIN Shown</p>	1/8"	0.7	P2LAX	18 / 40	0.84 (0.38)	24VDC	<b>P2LAX391ESNXB549</b>	
							120VAC	<b>P2LAX391ESNXB553</b>	
			1/4"	1.3	P2LBX	18 / 45	0.84 (0.38)	24VDC	<b>P2LBX392ESNXB549</b>
								120VAC	<b>P2LBX392ESNXB553</b>
		3/8"	2.5	P2LCX	25 / 75	1.72 (0.78)	24VDC	<b>P2LCX393ESNXB549</b>	
120VAC							<b>P2LCX393ESNXB553</b>		
1/2"		2.7	P2LDX	25 / 75	1.72 (0.78)	24VDC	<b>P2LDX394ESNXB549</b>		
120VAC		<b>P2LDX394ESNXB553</b>							

**Notes:** Above valves are rated for an operating temperature from 14°F to 122°F (-10°C to 50°C). See model code matrix for additional options.  
Response time: Actuate to 90% pressure / return to exhaust to 10% of supply pressure. 93 PSIG (6.3 bar) / temperature 68°F (20°C).

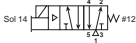




 Most popular.



For inventory, lead times, and kit lookup, visit [www.pdnplu.com](http://www.pdnplu.com)

**C**  
 Inline Valves  
 Viking Lite  
 Viking Extreme  
 "B" Series  
 Air Saver Unit  
 ADEX Series  
 "N" Series

**Single Solenoid, 4-way, 2-position, Normal Operating Pressure / Temperature, Non-locking Manual Override**

	Solenoid	Port size (NPT)	Cv	Valve type	Response time (msec)	Weight lb (kg)	Voltage	Part number	
  P2LAX 22mm DIN Shown	22mm DIN	1/8"	0.7	P2LAX	15 / 35	0.49 (0.22)	24VDC 120VAC	P2LAX591ESNDDDB49 P2LAX591ESNDDDB53	
		1/4"	1.3	P2LBX	18 / 45	0.84 (0.38)	24VDC 120VAC	P2LBX592ESNDDDB49 P2LBX592ESNDDDB53	
		3/8"	2.5	P2LCX	27 / 75	1.68 (0.76)	24VDC 120VAC	P2LCX593ESNDDDB49 P2LCX593ESNDDDB53	
		1/2"	2.7	P2LDX	25 / 75	1.68 (0.76)	24VDC 120VAC	P2LDX594ESNDDDB49 P2LDX594ESNDDDB53	
	 P2LAX 18" Grommet Shown	18" Grommet	1/8"	0.7	P2LAX	15 / 35	0.49 (0.22)	24VDC 120VAC	P2LAX591ESNDDDG49 P2LAX591ESNDDDG53
			1/4"	1.3	P2LBX	18 / 45	0.84 (0.38)	24VDC 120VAC	P2LBX592ESNDDDG49 P2LBX592ESNDDDG53
			3/8"	2.5	P2LCX	27 / 75	1.68 (0.76)	24VDC 120VAC	P2LCX593ESNDDDG49 P2LCX593ESNDDDG53
			1/2"	2.7	P2LDX	25 / 75	1.68 (0.76)	24VDC 120VAC	P2LDX594ESNDDDG49 P2LDX594ESNDDDG53
	 P2LAX M12 Coil Shown	M12 Coil with LED	1/8"	0.7	P2LAX	15 / 35	0.49 (0.22)	24VDC	P2LAX591ESNDD7B9
			1/4"	1.3	P2LBX	18 / 45	0.84 (0.38)	24VDC	P2LBX592ESNDD7B9
			3/8"	2.5	P2LCX	27 / 75	1.68 (0.76)	24VDC	P2LCX593ESNDD7B9
			1/2"	2.7	P2LDX	25 / 75	1.68 (0.76)	24VDC	P2LDX594ESNDD7B9
 P2LAX 15mm DIN Shown	15mm DIN	1/8"	0.7	P2LAX	15 / 35	0.49 (0.22)	24VDC 120VAC	P2LAX591ESNXB549 P2LAX591ESNXB553	
		1/4"	1.3	P2LBX	18 / 45	0.84 (0.38)	24VDC 120VAC	P2LBX592ESNXB549 P2LBX592ESNXB553	
		3/8"	2.5	P2LCX	27 / 75	1.68 (0.76)	24VDC 120VAC	P2LCX593ESNXB549 P2LCX593ESNXB553	
		1/2"	2.7	P2LDX	25 / 75	1.68 (0.76)	24VDC 120VAC	P2LDX594ESNXB549 P2LDX594ESNXB553	

**Notes:** Above valves are rated for an operating temperature from 14°F to 122°F (-10°C to 50°C). See model code matrix for additional options.  
Response time: Actuate to 90% pressure / return to exhaust to 10% of supply pressure. 93 PSIG (6.3 bar) / temperature 68°F (20°C).

C	Inline Valves
	Viking Lite
	Viking Extreme
	"B" Series
Air Saver Unit	
ADEX Series	
"N" Series	






 Most popular.



For inventory, lead time, and kit lookup, visit [www.pdnplu.com](http://www.pdnplu.com)



**Double Solenoid, 4-way, 2-position, Normal Operating Pressure / Temperature, Non-locking Manual Override**

Solenoid	Port size (NPT)	Cv	Valve type	Response time (msec)	Weight lb (kg)	Voltage	Part number		
  22mm DIN P2LBX 22mm DIN Shown	1/8"	0.7	P2LAX	10 / 10	0.60 (0.27)	24VDC 120VAC	P2LAX591EENDDDB49 P2LAX591EENDDDB53		
	1/4"	1.3	P2LBX	12 / 12	0.93 (0.42)	24VDC 120VAC	P2LBX592EENDDDB49 P2LBX592EENDDDB53		
	3/8"	2.5	P2LCX	17 / 17	1.78 (0.81)	24VDC 120VAC	P2LCX593EENDDDB49 P2LCX593EENDDDB53		
	1/2"	2.7	P2LDX	17 / 17	1.78 (0.81)	24VDC 120VAC	P2LDX594EENDDDB49 P2LDX594EENDDDB53		
	 18" Grommet P2LAX 18" Grommet Shown	1/8"	0.7	P2LAX	10 / 10	0.60 (0.27)	24VDC 120VAC	P2LAX591EENDDG49 P2LAX591EENDDG53	
		1/4"	1.3	P2LBX	12 / 12	0.93 (0.42)	24VDC 120VAC	P2LBX592EENDDG49 P2LBX592EENDDG53	
		3/8"	2.5	P2LCX	17 / 17	1.78 (0.81)	24VDC 120VAC	P2LCX593EENDDG49 P2LCX593EENDDG53	
		1/2"	2.7	P2LDX	17 / 17	1.78 (0.81)	24VDC 120VAC	P2LDX594EENDDG49 P2LDX594EENDDG53	
		 M12 Coil with LED P2LBX M12 Coil Shown	1/8"	0.7	P2LAX	10 / 10	0.60 (0.27)	24VDC	P2LAX591EENDD7B9
			1/4"	1.3	P2LBX	12 / 12	0.93 (0.42)	24VDC	P2LBX592EENDD7B9
			3/8"	2.5	P2LCX	17 / 17	1.78 (0.81)	24VDC	P2LCX593EENDD7B9
			1/2"	2.7	P2LDX	17 / 17	1.78 (0.81)	24VDC	P2LDX594EENDD7B9
 15mm DIN P2LAX 15mm DIN Shown			1/8"	0.7	P2LAX	10 / 10	0.60 (0.27)	24VDC 120VAC	P2LAX591EENXB549 P2LAX591EENXB553
			1/4"	1.3	P2LBX	12 / 12	0.93 (0.42)	24VDC 120VAC	P2LBX592EENXB549 P2LBX592EENXB553
			3/8"	2.5	P2LCX	17 / 17	1.78 (0.81)	24VDC 120VAC	P2LCX593EENXB549 P2LCX593EENXB553
			1/2"	2.7	P2LDX	17 / 17	1.78 (0.81)	24VDC 120VAC	P2LDX594EENXB549 P2LDX594EENXB553

**Notes:** Above valves are rated for an operating temperature from 14°F to 122°F (-10°C to 50°C). See model code matrix for additional options.  
 Response time: Actuate to 90% pressure / return to exhaust to 10% of supply pressure. 93 PSIG (6.3 bar) / temperature 68°F (20°C).

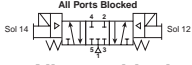
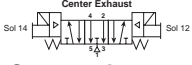




 Most popular.



For inventory, lead times, and kit lookup, visit [www.pdnplu.com](http://www.pdnplu.com)

**C**  
 Inline Valves  
 Viking Lite  
 Viking Extreme  
 "B" Series  
 Air Saver Unit  
 ADEX Series  
 "N" Series

**Double Solenoid, 4-way, 3-position All Ports Blocked, 3-position Center Exhaust,  
Normal Operating Pressure / Temperature, Non-locking Manual Override**

								Part number		
		Port size (NPT)	Valve Cv	Response time (msec)	Weight lb (kg)	Voltage				
Solenoid							All ports blocked		Center exhaust	
 22mm DIN P2LBX 22mm DIN Shown	1/8"	0.5	P2LAX	18 / 40	0.62 (0.28)	24VDC 120VAC	<b>P2LAX691EENDDDB49</b> <b>P2LAX691EENDDDB53</b>		<b>P2LAX891EENDDDB49</b> <b>P2LAX891EENDDDB53</b>	
	1/4"	0.9	P2LBX	22 / 55	0.97 (0.44)	24VDC 120VAC	<b>P2LBX692EENDDDB49</b> <b>P2LBX692EENDDDB53</b>		<b>P2LBX892EENDDDB49</b> <b>P2LBX892EENDDDB53</b>	
	3/8"	1.8	P2LCX	30 / 90	2.45 (1.11)	24VDC 120VAC	<b>P2LCX693EENDDDB49</b> <b>P2LCX693EENDDDB53</b>		<b>P2LCX893EENDDDB49</b> <b>P2LCX893EENDDDB53</b>	
	1/2"	1.9	P2LDX	30 / 90	2.45 (1.11)	24VDC 120VAC	<b>P2LDX694EENDDDB49</b> <b>P2LDX694EENDDDB53</b>		<b>P2LDX894EENDDDB49</b> <b>P2LDX894EENDDDB53</b>	
 18" Grommet P2LBX 18" Grommet Shown	1/8"	0.5	P2LAX	18 / 40	0.62 (0.28)	24VDC 120VAC	<b>P2LAX691EENDDG49</b> <b>P2LAX691EENDDG53</b>		<b>P2LAX891EENDDG49</b> <b>P2LAX891EENDDG53</b>	
	1/4"	0.9	P2LBX	22 / 55	0.97 (0.44)	24VDC 120VAC	<b>P2LBX692EENDDG49</b> <b>P2LBX692EENDDG53</b>		<b>P2LBX892EENDDG49</b> <b>P2LBX892EENDDG53</b>	
	3/8"	1.8	P2LCX	30 / 90	2.45 (1.11)	24VDC 120VAC	<b>P2LCX693EENDDG49</b> <b>P2LCX693EENDDG53</b>		<b>P2LCX893EENDDG49</b> <b>P2LCX893EENDDG53</b>	
	1/2"	1.9	P2LDX	30 / 90	2.45 (1.11)	24VDC 120VAC	<b>P2LDX694EENDDG49</b> <b>P2LDX694EENDDG53</b>		<b>P2LDX894EENDDG49</b> <b>P2LDX894EENDDG53</b>	
 M12 Coil with LED P2LBX M12 Coil Shown	1/8"	0.5	P2LAX	18 / 40	0.62 (0.28)	24VDC	<b>P2LAX691EENDD7B9</b>		<b>P2LAX891EENDD7B9</b>	
	1/4"	0.9	P2LBX	22 / 55	0.97 (0.44)	24VDC	<b>P2LBX692EENDD7B9</b>		<b>P2LBX892EENDD7B9</b>	
	3/8"	1.8	P2LCX	30 / 90	2.45 (1.11)	24VDC	<b>P2LCX693EENDD7B9</b>		<b>P2LCX893EENDD7B9</b>	
	1/2"	1.9	P2LDX	30 / 90	2.45 (1.11)	24VDC	<b>P2LDX694EENDD7B9</b>		<b>P2LDX894EENDD7B9</b>	
 15mm DIN P2LBX 15mm DIN Shown	1/8"	0.5	P2LAX	18 / 40	0.62 (0.28)	24VDC 120VAC	<b>P2LAX691EENXB549</b> <b>P2LAX691EENXB553</b>		<b>P2LAX891EENXB549</b> <b>P2LAX891EENXB553</b>	
	1/4"	0.9	P2LBX	22 / 55	0.97 (0.44)	24VDC 120VAC	<b>P2LBX692EENXB549</b> <b>P2LBX692EENXB553</b>		<b>P2LBX892EENXB549</b> <b>P2LBX892EENXB553</b>	
	3/8"	1.8	P2LCX	30 / 90	2.45 (1.11)	24VDC 120VAC	<b>P2LCX693EENXB549</b> <b>P2LCX693EENXB553</b>		<b>P2LCX893EENXB549</b> <b>P2LCX893EENXB553</b>	
	1/2"	1.9	P2LDX	30 / 90	2.45 (1.11)	24VDC 120VAC	<b>P2LDX694EENXB549</b> <b>P2LDX694EENXB553</b>		<b>P2LDX894EENXB549</b> <b>P2LDX894EENXB553</b>	

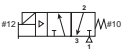



**Notes:** Above valves are rated for an operating temperature from 14°F to 122°F (-10°C to 50°C). See model code matrix for additional options.  
 Response time: Actuate to 90% pressure / return to exhaust to 10% of supply pressure. 93 PSIG (6.3 bar) / temperature 68°F (20°C).

 Most popular.



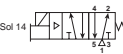



For inventory, lead time, and kit lookup, visit [www.pdnplu.com](http://www.pdnplu.com)

**Single Solenoid, 3-way, 2-position, Xtreme Operating Pressure / Temperature, Non-locking Manual Override**

Solenoid	Port size (NPT)	Cv	Valve type	Response time (msec)	Weight lb (kg)	Voltage	Part number
  P2LBX 22mm DIN Shown	1/8"	0.7	P2LAX	15 / 45	0.84 (0.38)	12VDC	<b>P2LAX391ESHDDDB47</b>
						24VDC	<b>P2LAX391ESHDDDB48</b>
	1/4"	1.3	P2LBX	25 / 65	0.84 (0.38)	12VDC	<b>P2LBX392ESHDDDB47</b>
						24VDC	<b>P2LBX392ESHDDDB48</b>
	3/8"	2.5	P2LCX	25 / 85	1.01 (0.46)	12VDC	<b>P2LCX393ESHDDDB47</b>
						24VDC	<b>P2LCX393ESHDDDB48</b>
	1/2"	2.7	P2LDX	25 / 85	1.01 (0.46)	12VDC	<b>P2LDX394ESHDDDB47</b>
						24VDC	<b>P2LDX394ESHDDDB48</b>
  P2LBX 18" Grommet Shown	1/8"	0.7	P2LAX	15 / 45	0.84 (0.38)	12VDC	<b>P2LAX391ESHDDG47</b>
						24VDC	<b>P2LAX391ESHDDG48</b>
	1/4"	1.3	P2LBX	25 / 65	0.84 (0.38)	12VDC	<b>P2LBX392ESHDDG47</b>
						24VDC	<b>P2LBX392ESHDDG48</b>
	3/8"	2.5	P2LCX	25 / 85	1.01 (0.46)	12VDC	<b>P2LCX393ESHDDG47</b>
						24VDC	<b>P2LCX393ESHDDG48</b>
	1/2"	2.7	P2LDX	25 / 85	1.01 (0.46)	12VDC	<b>P2LDX394ESHDDG47</b>
						24VDC	<b>P2LDX394ESHDDG48</b>

**Notes:** Above valves have Mobile Rated Coils and are rated for an operating temperature from -40°F to 158°F (-40°C to 70°C). See model code matrix for additional options.  
Response time: Actuate to 90% pressure / return to exhaust to 10% of supply pressure. 93 PSIG (6.3 bar) / temperature 68°F (20°C).

**Single Solenoid, 4-way, 2-position, Xtreme Operating Pressure / Temperature Non-locking Manual Override**

Solenoid	Port size (NPT)	Cv	Valve type	Response time (msec)	Weight lb (kg)	Voltage	Part number
  P2LBX 22mm DIN Shown	1/8"	0.7	P2LAX	15 / 45	0.84 (0.38)	12VDC	<b>P2LAX591ESHDDDB47</b>
						24VDC	<b>P2LAX591ESHDDDB48</b>
	1/4"	1.3	P2LBX	20 / 55	0.84 (0.38)	12VDC	<b>P2LBX592ESHDDDB47</b>
						24VDC	<b>P2LBX592ESHDDDB48</b>
	3/8"	2.5	P2LCX	25 / 85	1.01 (0.46)	12VDC	<b>P2LCX593ESHDDDB47</b>
						24VDC	<b>P2LCX593ESHDDDB48</b>
	1/2"	2.7	P2LDX	25 / 85	1.01 (0.46)	12VDC	<b>P2LDX594ESHDDDB47</b>
						24VDC	<b>P2LDX594ESHDDDB48</b>
  P2LAX 18" Grommet Shown	1/8"	0.7	P2LAX	15 / 45	0.84 (0.38)	12VDC	<b>P2LAX591ESHDDG47</b>
						24VDC	<b>P2LAX591ESHDDG48</b>
	1/4"	1.3	P2LBX	25 / 65	0.84 (0.38)	12VDC	<b>P2LBX592ESHDDG47</b>
						24VDC	<b>P2LBX592ESHDDG48</b>
	3/8"	2.5	P2LCX	28 / 85	1.01 (0.46)	12VDC	<b>P2LCX593ESHDDG47</b>
						24VDC	<b>P2LCX593ESHDDG48</b>
	1/2"	2.7	P2LDX	25 / 85	1.01 (0.46)	12VDC	<b>P2LDX594ESHDDG47</b>
						24VDC	<b>P2LDX594ESHDDG48</b>

**Notes:** Above valves have Mobile Rated Coils and are rated for an operating temperature from -40°F to 158°F (-40°C to 70°C). See model code matrix for additional options.  
Response time: Actuate to 90% pressure / return to exhaust to 10% of supply pressure. 93 PSIG (6.3 bar) / temperature 68°F (20°C).



 Most popular.



For inventory, lead times, and kit lookup, visit [www.pdnplu.com](http://www.pdnplu.com)



Common Part Numbers

Double Solenoid, 4-way, 2-position, Xtreme Operating Pressure / Temperature, Non-locking Manual Override

Solenoid	Port size (NPT)	Cv	Valve type	Response time (msec)	Weight lb (kg)	Voltage	Part number	
 <p>22mm DIN</p> <p>P2LBX 22mm DIN Shown</p>	1/8"	0.7	P2LAX	11 / 11	0.60 (0.27)	12VDC	<b>P2LAX591EEHDDDB47</b>	
						24VDC	<b>P2LAX591EEHDDDB48</b>	
	1/4"	1.3	P2LBX	13 / 13	0.93 (0.42)	0.93 (0.42)	12VDC	<b>P2LBX592EEHDDDB47</b>
							24VDC	<b>P2LBX592EEHDDDB48</b>
	3/8"	2.5	P2LCX	18 / 18	1.06 (0.48)	1.06 (0.48)	12VDC	<b>P2LCX593EEHDDDB47</b>
							24VDC	<b>P2LCX593EEHDDDB48</b>
1/2"	2.7	P2LDX	18 / 18	1.06 (0.48)	1.06 (0.48)	12VDC	<b>P2LDX594EEHDDDB47</b>	
						24VDC	<b>P2LDX594EEHDDDB48</b>	
 <p>18" Grommet</p> <p>P2LAX 18" Grommet Shown</p>	1/8"	0.7	P2LAX	11 / 11	0.60 (0.27)	12VDC	<b>P2LAX591EEHDDG47</b>	
						24VDC	<b>P2LAX591EEHDDG48</b>	
	1/4"	1.3	P2LBX	13 / 13	0.93 (0.42)	0.93 (0.42)	12VDC	<b>P2LBX592EEHDDG47</b>
							24VDC	<b>P2LBX592EEHDDG48</b>
	3/8"	2.5	P2LCX	18 / 18	1.06 (0.48)	1.06 (0.48)	12VDC	<b>P2LCX593EEHDDG47</b>
							24VDC	<b>P2LCX593EEHDDG48</b>
1/2"	2.7	P2LDX	18 / 18	1.06 (0.48)	1.06 (0.48)	12VDC	<b>P2LDX594EEHDDG47</b>	
						24VDC	<b>P2LDX594EEHDDG48</b>	

**Notes:** Above valves have Mobile Rated Coils and are rated for an operating temperature from -40°F to 158°F (-40°C to 70°C). See model code matrix for additional options. Response time: Actuate to 90% pressure / return to exhaust to 10% of supply pressure. 93 PSIG (6.3 bar) / temperature 68°F (20°C).

Double Solenoid, 4-way, 3-position All Ports Blocked, 3-position Center Exhaust, Xtreme Operating Pressure / Temperature Non-locking Manual Override

Solenoid	Port size	Cv	Valve type (NPT)	Response time (msec)	Weight lb (kg)	Voltage	Part number		
							All ports blocked	Center exhaust	
 <p>22mm DIN</p> <p>P2LBX 22mm DIN Shown</p>	1/8"	0.5	P2LAX	18 / 40	0.62 (0.28)	12VDC	<b>P2LAX691EEHDDDB47</b>	<b>P2LAX891EEHDDDB47</b>	
							24VDC	<b>P2LAX691EEHDDDB48</b>	<b>P2LAX891EEHDDDB48</b>
	1/4"	0.9	P2LBX	22 / 55	0.97 (0.44)	0.97 (0.44)	12VDC	<b>P2LBX692EEHDDDB47</b>	<b>P2LBX892EEHDDDB47</b>
								24VDC	<b>P2LBX692EEHDDDB48</b>
	3/8"	1.8	P2LCX	30 / 90	2.45 (1.11)	2.45 (1.11)	12VDC	<b>P2LCX693EEHDDDB47</b>	<b>P2LCX893EEHDDDB47</b>
								24VDC	<b>P2LCX693EEHDDDB48</b>
1/2"	1.9	P2LDX	30 / 90	2.45 (1.11)	2.45 (1.11)	12VDC	<b>P2LDX694EEHDDDB47</b>	<b>P2LDX894EEHDDDB47</b>	
							24VDC	<b>P2LDX694EEHDDDB48</b>	<b>P2LDX894EEHDDDB48</b>
 <p>18" Grommet</p> <p>P2LBX 18" Grommet Shown</p>	1/8"	0.5	P2LAX	18 / 40	0.62 (0.28)	12VDC	<b>P2LAX691EEHDDG47</b>	<b>P2LAX891EEHDDG47</b>	
							24VDC	<b>P2LAX691EEHDDG48</b>	<b>P2LAX891EEHDDG48</b>
	1/4"	0.9	P2LBX	22 / 55	0.97 (0.44)	0.97 (0.44)	12VDC	<b>P2LBX692EEHDDG47</b>	<b>P2LBX892EEHDDG47</b>
								24VDC	<b>P2LBX692EEHDDG48</b>
	3/8"	1.8	P2LCX	30 / 90	2.45 (1.11)	2.45 (1.11)	12VDC	<b>P2LCX693EEHDDG47</b>	<b>P2LCX893EEHDDG47</b>
								24VDC	<b>P2LCX693EEHDDG48</b>
1/2"	1.9	P2LDX	30 / 90	2.45 (1.11)	2.45 (1.11)	12VDC	<b>P2LDX694EEHDDG47</b>	<b>P2LDX894EEHDDG47</b>	
							24VDC	<b>P2LDX694EEHDDG48</b>	<b>P2LDX894EEHDDG48</b>

**Notes:** Above valves have Mobile Rated Coils and are rated for an operating temperature from -40°F to 158°F (-40°C to 70°C). See model code matrix for additional options. Response time: Actuate to 90% pressure / return to exhaust to 10% of supply pressure. 93 PSIG (6.3 bar) / temperature 68°F (20°C).

 Most popular.



For inventory, lead time, and kit lookup, visit [www.pdnplu.com](http://www.pdnplu.com)

**Viking Xtreme Single & Double Solenoid Operated Valves**

**P2L A X 5 91 ES H D D G 49**

Valve size	
1/8"	A
1/4"	B
3/8"	C
1/2"	D

Series	
Viking Xtreme	X

Voltage	
<b>B9 ‡</b>	<b>24 VDC w/ surge suppression &amp; LED</b>
42	24VAC
45	12VDC
<b>46 †</b>	<b>12VDC mobile with surge suppression</b>
<b>47 *</b>	<b>12 VDC mobile</b>
<b>48 *</b>	<b>24 VDC mobile</b>
<b>49</b>	<b>24VDC</b>
<b>53</b>	<b>120VAC</b>
57	240VAC
Blank	Valve less coil

\* Only available with enclosures "A", "B", "G" & "5".

‡ Enclosure "7" only

† Enclosure "G", "T", "V" only.

Valve type / function	
<b>Internal pilot supply to solenoid*</b>	
3/2 NC - 2-position	3
5/2 2-position	5
5/3 3-position, APB	6
5/3 3-position, PC	7
5/3 3-position, CE	8
<b>External pilot supply to the solenoids through ports #12 &amp; #14</b>	
3/2 NC - 2-position	L
5/2 2-position	N
5/3 3-position, APB	P
5/3 3-position, PC	Q
5/3 3-position, CE	R

\* Size A & B solenoid valves can be field converted from internal to external pilot. See page C25 for details.

Main port thread	
G1/8 (P2LA)	11
G1/4 (P2LB)	12
G1/4 (P2LB) NAMUR Mount	1N*
G3/8 (P2LC)	13
G1/2 (P2LD)	14
<b>1/8" NPT (P2LA)</b>	<b>91</b>
<b>1/4" NPT (P2LB)</b>	<b>92</b>
<b>1/4" NPT (P2LB) NAMUR Mount</b>	<b>9N*</b>
<b>3/8" NPT (P2LC)</b>	<b>93</b>
<b>1/2" NPT (P2LD)</b>	<b>94</b>

\* NAMUR mount available for 5/2, 2-position only.

Operator return	
Double solenoid	EE
Single solenoid, spring return	ES*

\* Not available with 3-position valves.

Enclosures / lead length	
<b>5 †</b>	<b>15mm, 3-pin DIN 43650C, 8mm pin spacing</b>
<b>7 §</b>	<b>M12 4-pin coil with surge suppression &amp; LED</b>
A	30mm square 3-pin – ISO 4400 Form A (male only)
<b>B</b>	<b>22mm rectangular 3-pin – type B industrial (male only)</b>
E*	Intrinsically safe, FM / CSA
F †	Hazardous duty 1/2" NPT, FM / CSA
<b>G</b>	<b>Grommet - 18" leads</b>
H	1/2" NPT conduit - 18" leads
N**	Valve less "A - V, 7" enclosure
<b>T #</b>	<b>Grommet, single solenoid, 2-pin deutsche connector, surge suppression</b>
<b>V #</b>	<b>Grommet, double solenoid, 4-pin deutsche connector, surge suppression</b>
X †	Valve less 15mm solenoid

\* Only available with voltage code "49" & override option "A", valve type "N" Only. Solenoid coil only CSA approved.

\*\* Solenoid pilot type "D" & "N" only.

# Voltage code "46" only.

‡ Valve Type "N" Only. Solenoid coil only CSA approved.

† Solenoid pilot type "X" only.

§ Voltage code "B9" only.

Valve type / operating pressure and temperature	
Normal, vacuum to 145 PSIG (10 bar), 14°F to 122°F (-10°C to 50°C), CSA Approved	N
Xtreme, vacuum to 145 PSIG (10 bar), -40°F to 140°F (-40°C to 70°C), CSA Approved	K
Xtreme, vacuum to 232 PSIG (16 bar), -40°F to 140°F (-40°C to 70°C)	H*

\* P2LC and P2LD solenoid operated valves have a maximum pressure rating of 175 PSIG (12 bar)

Solenoid pilot type	
<b>D**</b>	<b>Vented pilot exhaust</b>
N**	Tapped pilot exhaust
X*	15mm solenoid vented pilot exhaust

\* Available enclosure "5", "X" and valve type "N" only.

\*\* Not available on enclosure "5" & "X".

Overrides	
A**	No override
<b>B †</b>	<b>Flush - Non-locking</b>
C *	Flush - locking
D	Extended non-locking
<b>E* †</b>	<b>Extended - locking</b>
X †	Valve less 15mm solenoid

\* Override for valve type "N" only.

\*\* Not available on enclosure "5", 15mm solenoid. Available solenoid pilot type "D" & "N" only.

† Available solenoid pilot type "X" only.

Most popular.



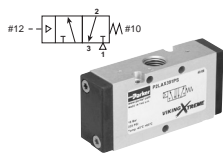
For inventory, lead times, and kit lookup, visit [www.pdnplu.com](http://www.pdnplu.com)



Part Numbers / Ordering Information

Remote Pilot Valves

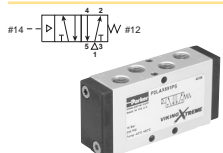
Single Remote Pilot, 3-way, 2-position, Xtreme Operating Pressure / Temperature, Non-locking Manual Override



P2LAX Shown

Port size (NPT)	Cv	Response time (msec)	Weight lb (kg)	Valve type	Part number
1/8"	0.7	15 / 45	0.68 (0.31)	P2LAX	P2LAX391PS
1/4"	1.3	25 / 65	0.68 (0.31)	P2LBX	P2LBX392PS
3/8"	2.5	25 / 65	0.88 (0.40)	P2LCX	P2LCX393PS
1/2"	2.7	25 / 65	0.88 (0.40)	P2LDX	P2LDX394PS

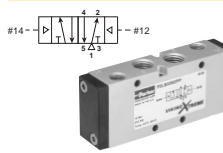
Single Remote Pilot, 4-way, 2-position, Xtreme Operating Pressure / Temperature, Non-locking Manual Override



P2LAX Shown

Port size (NPT)	Cv	Response time (msec)	Weight lb (kg)	Valve type	Part number
1/8"	0.7	15 / 45	0.33 (0.15)	P2LAX	P2LAX591PS
1/4"	1.3	20 / 55	0.68 (0.31)	P2LBX	P2LBX592PS
3/8"	2.5	25 / 85	0.90 (0.41)	P2LCX	P2LCX593PS
1/2"	2.7	25 / 85	0.90 (0.41)	P2LDX	P2LDX594PS

Double Remote Pilot, 4-way, 2-position, Xtreme Operating Pressure / Temperature, Non-locking Manual Override



P2LBX Shown

Port size (NPT)	Cv	Response time (msec)	Weight lb (kg)	Valve type	Part number
1/8"	0.7	11 / 11	0.33 (0.15)	P2LAX	P2LAX591PP
1/4"	1.3	13 / 13	0.68 (0.31)	P2LBX	P2LBX592PP
3/8"	2.5	18 / 18	0.90 (0.41)	P2LCX	P2LCX593PP
1/2"	2.7	18 / 18	0.90 (0.41)	P2LDX	P2LDX594PP

Double Remote Pilot, 4-way, 3-position All Ports Blocked, 3-position Center Exhaust, Xtreme Operating Pressure / Temperature, Non-locking Manual Override



P2LBX Shown

Port size (NPT)	Cv	Response time (msec)	Weight lb (kg)	Valve type	Part number	
					All ports blocked	Center exhaust
1/8"	0.5	18 / 50	0.31 (0.14)	P2LAX	P2LAX691PP	P2LAX891PP
1/4"	0.9	25 / 65	0.73 (0.33)	P2LBX	P2LBX692PP	P2LBX892PP
3/8"	1.8	30 / 90	0.93 (0.42)	P2LCX	P2LCX693PP	P2LCX893PP
1/2"	1.9	30 / 90	0.93 (0.42)	P2LDX	P2LDX694PP	P2LDX894PP

Notes: Above valves are rated for an operating temperature from -40°F to 158°F (-40°C to 70°C). See model code matrix for additional options. Response time: Actuate to 90% pressure / return to exhaust to 10% of supply pressure. 93 PSIG (6.3 bar) / temperature 68°F (20°C).

Viking Xtreme Remote Air Pilot Operated Valves

**Operating information**

Operating pressure:  
 (P2LAX & P2LBX)  
 Vacuum to 232 PSIG (Vacuum to 16 bar)  
 (P2LCX & P2LDX)  
 Vacuum to 174 PSIG (Vacuum to 12 bar)

Operating temperature:  
 -40°F to 158°F (-40°C to 70°C)

**P2 A X 5 91 PS**

Valve size	
1/8"	A
1/4"	B
3/8"	C*
1/2"	D*

\* P2LCX and P2LDX manual & remote air pilot valves have a maximum pressure rating of 175 PSIG (12 bar).

Valve type / function	
<i>Internal pilot supply to solenoid</i>	
3/2 NC - 2-position	3
5/2 2-position	5
5/3 3-position, APB	6
5/3 3-position, PC	7
5/3 3-position, CE	8

Operators / return	
PP	Double remote pilot
PS*	Single remote pilot, spring return

\* Not available with 3-position valves.

Main port thread	
11	G1/8 (P2LA)
12	G1/4 (P2LB)
1N*	G1/4 NPT (P2LB) NAMUR mount
13	G3/8 (P2LC)
14	G1/2 (P2LD)
91	1/8" NPT (P2LA)
92	1/4" NPT (P2LB)
9N*	1/4 NPT (P2LB) NAMUR mount
93	3/8" NPT (P2LC)
94	1/2" NPT (P2LD)

\* 5/2, 2-position valve only.

Most popular.



For inventory, lead time, and kit lookup, visit [www.pdnplu.com](http://www.pdnplu.com)

C

Inline Valves

Viking Lite

Viking Xtreme

"B" Series

Air Saver Unit

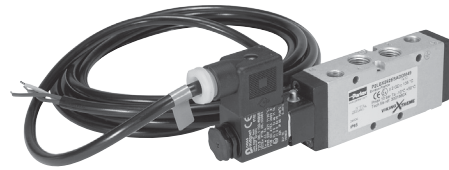
ADEX Series

"N" Series



**ATEX Certified Single & Double Solenoid Operated Valves**

Viking ATEX valves meet ATEX directive 94/9/EC with the following classification : CE Ex II 2GD c 135oc. This directive lays down minimum safety requirements for products intended for use in potentially explosive atmospheres. The Directive is commonly referred to as the 'ATEX' Directive ('ATmospheres EXplosibles'), but may also be called the ATEX Equipment Directive or ATEX 95. Both ATEX certified solenoid, remote pilot and manual operated valves, as well as complete solenoid pilot assemblies are available.



ATEX classification details:

- CE Ex: fulfils the ATEX directive
- II : Group II Equipment Area
- 2GD : Equipment Category 2. Gas Zone 1,2 and Dust Zone 21,22
- c : Safe Design ( EN13463-5 )
- 135°C : Real temperature of the surface of product for test

Temperature Class of Solenoid : T4 135°C, ATEX 8-22T

**Operating information**

Operating pressure: Vacuum to 145 PSIG (vacuum to 10 bar)  
 Operating temperature: 14°F to 122°F (-10°C to 50°C)

**C**

Inline Valves

Viking Lite

Viking Extreme

Series "B"

Air Saver Unit

ADEX Series

Series "N"

**P2L A X 5 91 ES A D D M 49**

Valve size	
1/8"	A
1/4"	B
3/8"	C
1/2"	D

Voltage	
49	24VDC

Enclosures	
M	ATEX 8-22T EExm T4 135°C

Valve type / function		
<b>Internal Pilot Supply to Solenoid</b>		
2-position valve		5
3-position valve APB		6
3-position valve PC		7
3-position valve CE		8
<b>External Pilot Supply to Solenoids through Ports #12 &amp; #14</b>		
2-position valve		N
3-position valve APB		P
3-position valve PC		Q
3-position valve CE		R

Overrides	
D	Extended non-locking

Solenoid pilot type	
D	Vented pilot exhaust
N	Tapped pilot exhaust (M5)

Operator return	
EE	Double solenoid
ES*	Single solenoid, spring return

\* Not available with 3-position valves.

Main port thread	
G1/8 (P2LA)	11
G1/4 (P2LB)	12
G3/8 (P2LC)	13
G1/2 (P2LD)	14
1/8" NPT (P2LA)	91
1/4" NPT (P2LB)	92
3/8" NPT (P2LC)	93
1/2" NPT (P2LD)	94

**NOTE:**

1. ATEX Valve includes a coil with sealed 3 meter cable.
2. Replacement solenoid kit P2FS13A3DM49 includes coil with sealed 3 meter cable, valve armature, solenoid, solenoid nut, screws and o-rings.

These products are designed for utilization in applications falling under the scope of ATEX Directive 94/9/EC. This coverage could only be referred to as long as operations required for the installation and the maintenance of these products are complying with related standards.



For inventory, lead times, and kit lookup, visit [www.pdnplu.com](http://www.pdnplu.com)

Accessories

IEM Bar Manifolds

IEM Bar Manifold, Viking Xtreme Solenoid / Remote Pilot Valves †



Valve series	Valve function	## - Stations	Manifold only (NPT)	Manifold only (BSPP)
P2LAX*	3-way	02 - 12	P2LAXGAXN##NP	P2LAXGAXG##NP
P2LAX*	4-way	02 - 12	P2LAXMAXN##NP	P2LAXMAXG##NP
P2LBX*	3-way	02 - 12	P2LBXGAXN##NP	P2LBXGAXG##NP
P2LBX*	4-way	02 - 12	P2LBXMAXN##NP	P2LBXMAXG##NP
P2LCX*	3-way / 4-way	02 - 12	P2LCXMAXN##NP	P2LCXMAXG##NP

Kits include: (1) manifold, valve hold down bolts and o-rings. Replace ## with number of valve stations. Valve size A, B, C only.

\* Enclosure option A,E & F can not be mounted on size A & B manifolds and enclosure F can not be mounted on size C manifolds due to width of solenoid,

Enclosure option A & E can be mounted on size A & B manifolds if valve is a single solenoid valve and if every other valve is mounted in reverse (staggered).

† Consider Viking Lite manifolds for alternative solutions.

IEM Bar Manifold Add-A-Fold Assembly (Viking Xtreme Solenoid / Remote Air Pilot Valves Only)



Valve series	Valve function	## - Stations	Manifold only (NPT)	Manifold only (BSPP)
P2LAX*	3-way	02 - 12	AAP2LAXGAXN##NP	AAP2LAXGAXG##NP
P2LAX*	4-way	02 - 12	AAP2LAXMAXN##NP	AAP2LAXMAXG##NP
P2LBX*	3-way	02 - 12	AAP2LBXGAXN##NP	AAP2LBXGAXG##NP
P2LBX*	4-way	02 - 12	AAP2LBXMAXN##NP	AAP2LBXMAXG##NP
P2LCX*	3-way / 4-way	02 - 12	AAP2LCXMAXN##NP	AAP2LCXMAXG##NP

Kits include: (1) manifold, valve hold down bolts, o-rings and assembly. Replace ## with number of valve stations. Valve size A, B, C only.

\* Enclosure option A,E & F can not be mounted on size A & B manifolds and enclosure F can not be mounted on size C manifolds due to width of solenoid,

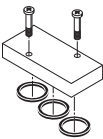
How to Order: 1. List Add-A-Fold assembly part number as line item 1

2. List the desired valves series part number in subsequent line items after the Add-A-Fold Assembly part number to complete the ordering code. Include all valves and blanking kits required. The left most station is station # 1 looking at the #12 end of the manifold.

Example: Viking Size B, 2 Station manifold, with 2, 4-way single solenoid valves

Line	Qty	Part number	Comment
1	1	AAP2LBXMAXN02NP	Add-A-Fold Assembly, 2-station IEM bar manifold
2	2	P2LBX592ESHDDB49	4-way, Station 1, 2

Blanking Plate



Type	Kit number
P2LAX 4-way	9121658063
P2LBX 4-way	9121594809X
P2LCX 3 & 4 way	P2LCXK20P
P2LAX 3-way	912132BPSXZ
P2LBX 3-way	912132BPSXZ

Kit includes: plate, screws, o-rings

Manifold Bolts

Type	Qty.	Kit number
P2LAX	12	P2LAXK87P
P2LBX	12	P2LBXK87P
P2LCX	12	P2LCXK87P

Manifold O-rings

Type	Qty.	Kit number
P2LAX	30	P2LAXK84P
P2LBX	18	P2LBXK84P
P2LCX	12	P2LCXK84P

Most popular.



For inventory, lead time, and kit lookup, visit [www.pdnplu.com](http://www.pdnplu.com)

**Solenoids with Deutsche Connections : Environmentally-Sealed Transportation Connectors**

Viking valves with solenoid options “T” & “V” include a grommet lead wire solenoid with internal surge suppression connected to Deutsche DTP Series male connectors. Heat shrunk cover holds the grommet lead wires together between the solenoid and deutsche connector. An environmentally-sealed connector designed specifically for cable to cable applications in harsh environments such as on the engine or transmission, under the hood, on the chassis or in the cab applications. On signal

level circuits where even a small degradation in connection may be critical, these connectors will provide the reliability and performance when properly connected to DTP female connector assemblies. Thermoplastic housings with silicone seals are used to allow the connector to withstand conditions of extreme temperature and moisture. Properly wired and mated connection will withstand immersion under three feet of water without loss of electronic qualities or leakage.

**Deutsche Connector & Solenoid Information**

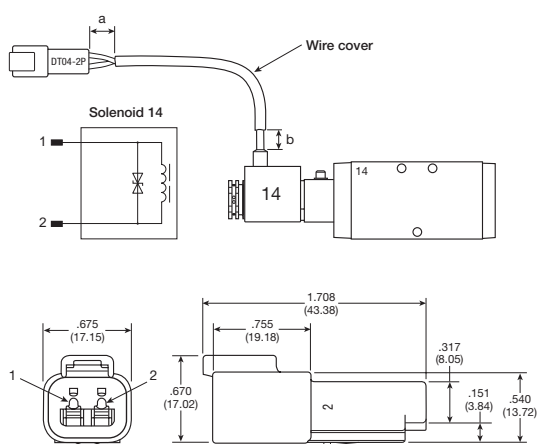
		“T” Single Solenoid Option	“V” Double Solenoid Option
Solenoid Kit		<b>P2FCT446</b>	<b>P2FCV446</b>
Connector Information	Housing material	Thermoplastic	Thermoplastic
	Grommet seal material	Silicone	Silicone
	Connector housing / seal number	DT04-2P*	DT04-4P*
	Contact material	Copper alloy	Copper alloy
	Contact number	0460-202-16141*	0460-202-16141*
	Sealing plug ( Wedge ) material	Thermoplastic	Thermoplastic
	Wedge number	W2P*	W4P*
	Temperature rating of connector	-67°F (-55°C) to +257°F (+125°C)	-67°F (-55°C) to +257°F (+125°C)
Solenoid	Voltage	12VDC +10%, -30% mobile with bi-directional surge suppression	12VDC +10%, -30% mobile with bi-directional surge suppression
	Number of solenoids	1	2
	Connector pin out	pin 1 & 2	12 solenoid : pin 1 & 2 14 solenoid : pin 3 & 4
	Wire length (Connector to solenoid)	19" (483mm)	12 Solenoid : 19" (482mm) 14 Solenoid : 7.75" (196.5mm)
	Exposed insulated wire ( a )	0.25" (6.4mm) - 0.5" (12.7mm)	0.25" (6.4mm) - 0.5" (12.7mm)
	Exposed insulated wire ( b )	0.75" (19.1mm) - 1.5" (38.1mm)	0.75" (19.1mm) - 1.5" (38.1mm)
	Wire cover material	Heat shrunk PVC	Heat shrunk PVC

\* Deutsche Industrial reference numbers. Male connections provided, mating female components and assemblies can be sourced from qualified Deutsche connector distributors.

**Enclosure / Lead Length - Option “T”**



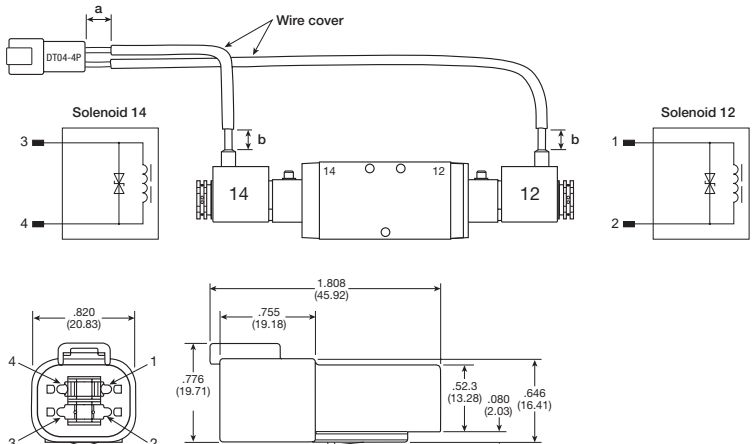
Solenoid Kit P2FCT446 shown



**Enclosure / Lead Length - Option “V”**



Solenoid Kit P2FCV446 shown



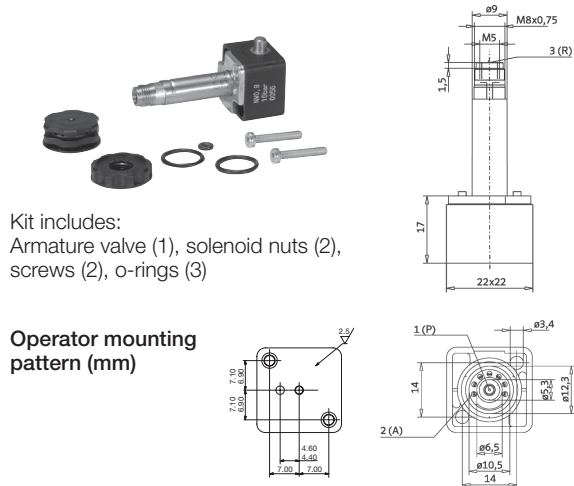
**Pilot Operator Kits**

**P2FP13 N 4 C**

Type	Overrides
Pilot operator kit P2FP13	<b>A</b> No override
	<b>C*</b> Locking (bistable) flush - plastic
	<b>D</b> Non-locking (monostable) extended - brass

\* Only available with "N" Pressure / Temperature option.

Pressure / temperature	
145 PSIG (10 bar) 14°F to 122°F (-10°C to 50°C)	N
232 PSIG (16 bar) -40°F to 158°F (-40°C to 70°C)	H



**Solenoid Pilot Operators & Coils**

**Solenoid pilot options**

The P2FP13\*4\* (NC) 3/2 solenoid pilot operators are designed for piloting pneumatic control valves with compressed air or other inert gases.

The P2FP operator is available for Normal operating pressures up to 10 bar or the Xtreme maximum operating pressure of 16 bar and wide band voltage tolerances required for mobile applications.

**Corrosion resistant design**

The pilot valve body is manufactured in thermoplastic PA6 material and the core tube brass / stainless steel. The plunger / core is made from stainless steel and the valve seats from FKM.

**Solenoid pilot exhaust**

These operators all exhaust out of the top of the core tube which is tapped M5. The standard solenoid nut (Solenoid pilot type "D") fitted to the core tube is a diffuser nut which allows the exhaust to escape to atmosphere. This nut also minimizes ingress of dirt into the valve through this port. The alternative plastic knurled nut (Solenoid pilot type "N") can be specified (refer to part number system) if the exhaust air needs captured and piped away using the M5 tapped port.

**Mobile applications**

Viking Xtreme valves are tested to +5g shock and vibration. Solenoid operated valves are designed to operate with wide voltage tolerance bands within the ambient temperature ranges stated in the technical section.

**Coils**

Coils are wound with enameled copper wire, having a temperature index of 180°C with class F insulation (155°C) and are encapsulated in Thermoplastic resin. When fitted with suitable connector and correct gasket, they give protection to IP65.

  Most popular.

**Manual override options**

The pilot operators can be supplied with locking or non-locking manual override. The standard manual override is the monostable (spring return) extended brass override. Alternatively the bistable (locking) override can be specified as an alternative for the Normal duty 10 bar option.

**Spares**

Solenoid operators are available as spares complete with mounting screws and seals. Coils and connectors should be ordered separately unless ATEX certified and intrinsically safe is needed. ATEX certified operators and coils must be ordered together.

**Transients**

Interrupting the current through the solenoid coil produces momentary voltage peaks which, under unfavorable conditions, can amount to several hundred times the rated operating voltage. Normally, these transients do not cause problems, but to achieve the maximum life of relays in the circuit (and particularly of transistors, thyristors and integrated circuits) it is desirable to provide protection by means of voltage-dependent resistors (varistors). All connectors / cable plugs with LEDs include this type of circuit protection.

**Materials**

<b>Pilot Valve</b>	
Body .....	Polyamide
Armature tube:	
Normal pilot operator .....	Brass
Xtreme pilot operator.....	Stainless steel
Plunger & core.....	Corrosion resistant CR-NI steel
Seals .....	FKM
Screws .....	Stainless steel
<b>Coil</b>	
Encapsulation material.....	Thermoplastic



For inventory, lead time, and kit lookup, visit [www.pdnplu.com](http://www.pdnplu.com)

**Solenoid Kits**

**Solenoid Enclosures**

**P2FC B 4 49**

Type	
Solenoid Kit	C

	Voltage
<b>B9 ‡</b>	<b>24 VDC w/ surge suppression &amp; LED</b>
42	24VAC
45	12VDC
<b>46 †</b>	<b>12 VDC mobile w/ surge suppression</b>
47*	12 VDC mobile
48*	24 VDC mobile
49	24VDC
53	120VAC
57	240VAC

Enclosures / lead length	
M12 4-pin coil with surge suppression & LED	7 §
30mm square 3-pin – ISO 4400 Form A (male only)	A
22mm rectangular 3-pin – Type B Industrial (male only)	B
Hazardous duty, FM / CSA	F*
Grommet - 18" leads	G
1/2" NPT conduit - 18" leads	H
Grommet, single solenoid, 2-pin deutsche connector, surge suppression	T #
Grommet, double solenoid, 4-pin deutsche connector, surge suppression	V #
Grommet 72" leads	Q
1/2" conduit 72" leads	R

\* Only available with enclosures "A", "B" & "G". Additional voltages are available upon request. Contact customer support for more information.

‡ Enclosure 7 only

† Enclosure G, T, V only.

\* Only available with voltage codes "45", "49", "53" & "57". Not for use with the Xtreme version (-40°C to 70°C).

# Voltage code 46 only.

§ Voltage code B9 only.



**Option 7**  
M12, 4-Pin Coil with Surge Suppression



**Option A**  
30mm Square, 3-Pin ISO 4400, DIN 43650A



**Option B**  
22mm Rectangular, 3-Pin DIN, Type B Industrial



**Option G & Q**  
Grommet, 18" or 72" Leads



**Option H & R**  
1/2" Conduit, 18" or 72" Leads

**Solenoid Kits – 3-Pin, EN175301-803 (Former DIN 43650C), 15mm, 8mm**



**Standard**

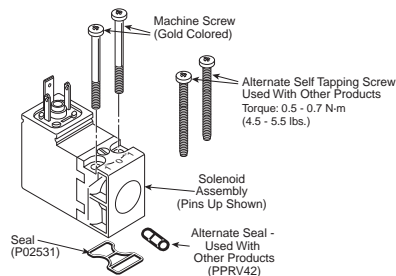
**PS2982\*##P – Enclosure '5'**

*	## Voltage						
Override	42	45	47 †	48 †	49	53	57
B	O	O	-	-	S	S	O
C	O	O	-	-	S	S	O
D	-	-	O	O	O	O	-
E	-	-	O	O	O	O	-

S - Standard; O - Option

† Mobile voltage

Kit includes: Solenoid, (2) machine screws, (2) self threading screws, (1) gasket, (1) 3-cell gasket.



**Solenoid Information (Solenoids are rated for continuous duty.)**

Voltage	Enclosure "5"			Enclosure "A"			Enclosure "7", "B" to "R"		
	AC 60Hz	50Hz	DC	Power consumption	Holding (Amps)	Power consumption	Holding (amps)	Power consumption	Holding (amps)
B9†	24	-	-	-	-	-	-	4.8W	.20
42	24	22	-	1.6VA	.065	3.9VA	.14	7.3VA	.31
45	-	-	12	1.2W	.098	2.6W	.21	4.6W	.37
46†	-	-	12	-	-	-	-	5.5W	.46
47*	-	-	12	0.91W	.074	6.2W	.52	5.5W	.46
48*	-	-	24	0.91W	.033	6.8W	.29	6.0W	.25
49	-	-	24	1.2W	.049	2.7W	.11	4.8W	.20
53	120	110	-	1.6W	.013	4.1VA	.04	6.3VA	.05
57	240	230	-	1.6W	.007	3.7VA	.02	6.4VA	.03

\* Mobile voltages. † Surge suppression.

■ Most popular.



For inventory, lead times, and kit lookup, visit [www.pdnplu.com](http://www.pdnplu.com)

**Intrinsically safe solenoid valves (“E” option)**

**Hazardous location class:**

**Class I; Groups A, B, C & D**

**Class II; Groups E, F, & G**

**Class III; Div. I**

For use in low voltage (24VDC) Intrinsically Safe applications.  
 NO OTHER VOLTAGE IS APPROVED.

Comes standard with non-lighted solenoid connector.

36mm Coil width.

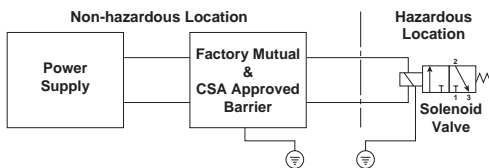
Must be connected to an FM approved Barrier.

For dimensions, reference standard solenoid models.

Maximum internally piloted valve pressure is 115 PSIG.

Pressures to 145 PSIG can be used when external pilot is utilized and pilot pressure is limited to 115 PSIG.

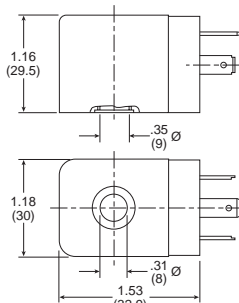
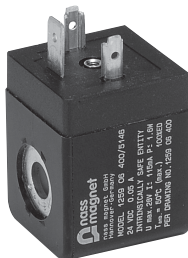
The intrinsically safe coil width (30mm) is wider than the body width of valve type A & B valves. If mounted on a manifold, the valves need to be staggered to fit and must be single solenoid valves only.



**Intrinsically safe solenoid pilot assembly kits**

Description	Part number
24VDC	<b>P2FS13N1AE49</b>

Kit includes: coil, armature, connector, o-ring & screws



**Hazardous duty solenoid valves (“F” option)**

**Hazardous location class:**

**Class I; Zone I EX, M, II & T4**

**Class I; Div. I, Groups A, B, C, & D**

**Class II & III; Div. I, Groups E, F, & G**

Comes standard with 1/2" conduit connection.

Voltage range = ±10%

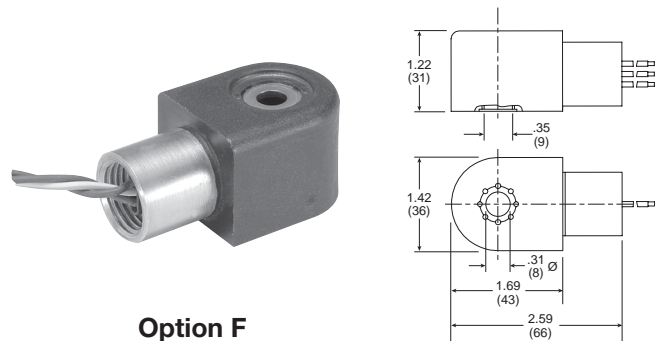
Ambient temperature range = -20°C (-4°F) to 60°C (140°F)

Duty factor = 100%

IP65 Rated (with connected conduit connector)

**Notes:**

- Maximum non-hazardous location voltage not to exceed 250V RMS.
- Factory Mutual requires connections per ISA RP 12.6 instructions.
- CSA requires “Installation to be in accordance with the Canadian Electrical Code, Part I.”
- The hazardous duty coil width (36mm) is wider than the body width of valve type A, B, C & D valves. Valves can not be mounted to IEM manifolds without installing a blanking plate between valves.



**Option F  
 Hazardous Duty FM / CSA**

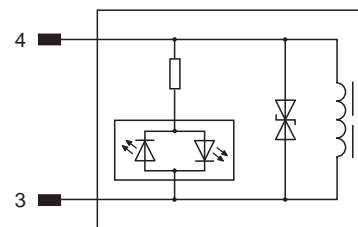
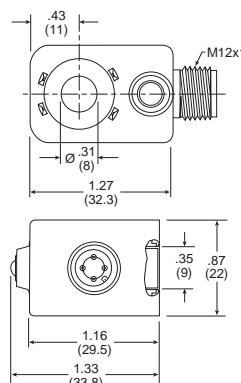
**M12, 24VDC solenoid coil (“7” option)**

Connection type: M12, metal thread, M12 x 1

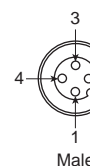
DIN EN 60947-5-2 appendix D

LED color: yellow

Bi-directional surge suppression



- Not Used
- Not Used
- +/- (blue)
- +/- (black)



4-Pin Female Wiring Diagram  
 (only Pins 4 & 3 are used)  
 Per ISO 20401



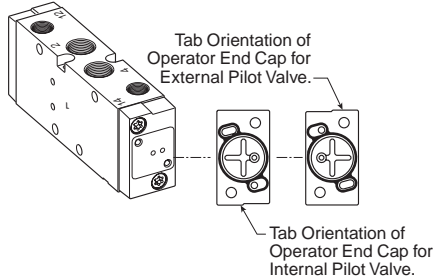
For inventory, lead time, and kit lookup, visit [www.pdnplu.com](http://www.pdnplu.com)

C
Inline Valves
Viking Lite
Viking Xtreme
“B” Series
Air Saver Unit
ADEX Series
“N” Series

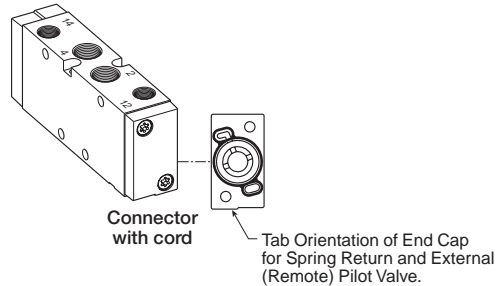


**Internal to external pilot conversion (size A & B only)**

To convert from Internal to External Pilot Valve, simply remove the (2) fasteners that attach the end cap to the valve body. Rotate the end cap 180° and attach back to the valve body. For single solenoid valves, only the 14-End needs to be rotated. For double solenoid valves, both ends must be converted for proper function.



The 12 & 14-Ports are always tapped no matter what Valve Type / Function is selected. For Internal Pilot Function, ports do NOT need to be plugged.



**22mm Rectangular 3-Pin – Type B Industrial**  
 (Use with Enclosure “B”)

Description	Connector with 6' (2m) cord	Connector
Unlighted	<b>PS2429JBP</b>	<b>PS2429BP</b>
Light – 24V/60Hz, 24VDC	<b>PS2430J79BP*</b>	<b>PS243079BP</b>
Light – 120V/60Hz	<b>PS2430J83BP*</b>	<b>PS243083BP</b>
Light – 240V/60Hz	N/A	<b>PS243087BP</b>

\* LED with surge suppression.  
**Note:** Max ø6.5mm cable size required for connector w/o 6' (2m) cord. IP65 rated when properly installed.

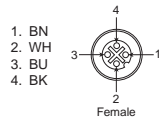
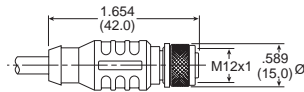
**Engineering Data:**  
 Conductors: 2 Poles Plus Ground; Cable Range (Connector Only): 6 to 8mm (0.24 to 0.31 Inch); Contact Spacing: 11mm

**M12 A-code Cables**

Description	Part number
4-Pin female to flying lead cable, PVC, 2m	<b>RKC 4.4T-2</b>

**RKC Female Sockets**

\* Only pins 3 and 4 are used with solenoids Option “7”.



**15mm Solenoid Mount**

Description	Part number
15mm solenoid mount	<b>P2FA22-15</b>



Kit includes: adapter (1), O-rings (2), gasket (1), screws (4)

  Most popular.

**15mm 3-Pin DIN 43650C**  
 (Use with Enclosure “5”)

	Cord length	Connector	Connector only	Connector with cord
Unlighted	18 Inches	<b>PS2932BP</b>	<b>PS2932BP</b>	<b>PS2932HBP</b>
Unlighted	6 Feet	<b>PS2932BP</b>	<b>PS2932BP</b>	<b>PS2932JBP</b>
Light – 12VAC or DC	6 Feet	<b>PS294675BP</b>	<b>PS294675BP</b>	<b>PS2946J75BP*</b>
Light – 24VAC or DC	6 Feet	<b>PS294679BP</b>	<b>PS294679BP</b>	<b>PS2946J79BP*</b>
Light – 110/120VAC	6 Feet	<b>PS294683BP</b>	<b>PS294683BP</b>	<b>PS2946J83BP*</b>
Light – 240/230VAC		<b>PS294687BP</b>	N/A	N/A

\* LED with surge suppression.  
**Note:** Max ø6.5mm cable size required for connector w/o 6' (2m) cord. IP65 rated when properly installed.

**Engineering data:**

Conductors: 2 poles plus ground Cable range (connector only): 4 to 6mm (0.16 to 0.24 Inch) Contact spacing: 8mm

**30mm Square 3-Pin – ISO 4400, DIN 43650A**  
 (Use with Enclosure “A”)

Description	Connector with 6' (2m) cord	Connector
Unlighted	<b>PS2028JCP</b>	<b>PS2028BP</b>
Light – 6-48V, 50/60Hz, 6-48VDC	<b>PS2032J79CP*</b>	<b>PS203279BP</b>
Light – 120V/60Hz	<b>PS2032J83CP*</b>	<b>PS203283BP</b>
Light – 240V/60Hz	N/A	<b>PS203283BP</b>

\* LED with surge suppression.  
**Note:** Max ø6.5mm cable size required for connector w/o 6' (2m) cord. IP65 rated when properly installed.

**Engineering data:**

Conductors: 2 poles plus ground; cable range (connector only): 8 to 10mm (0.31 To 0.39 Inch); contact spacing: 18mm

**Replacement Solenoid Nut**

Description	Part number	Description	Part number
Solenoid diffuser nut	<b>PS1556</b>	Solenoid vented nut	<b>PS2892P</b>



For inventory, lead times, and kit lookup, visit [www.pdnplu.com](http://www.pdnplu.com)

It is the users responsibility to verify product performance when applied at maximum tolerance ranges of multiple technical specifications simultaneously.

**Operating temperature**

- **Normal**.....14°F to 122°F (-10°C to 50°C)
- **Xtreme**..... -40°F to 158°F (-40°C to 70°C)

**Flow Rating**

Valve size	Port size	2-position	3-position
P2LAX	1/8"	0.7	0.5
P2LBX	1/4"	1.3	0.9
P2LCX	3/8"	2.5	1.8
P2LDX	1/2"	2.7	1.9

**Operating pressure\***

**Maximum: Normal.....145 PSIG (10 bar)**  
**Xtreme.....232 PSIG (16 bar)**

**Minimum:**

Valve type - internal pilot	Minimum PSIG (bar)			
	P2LAX	P2LBX	P2LCX	P2LDX
Single solenoid - spring return	46 (3.2)	51 (3.5)	51 (3.5)	51 (3.5)
Single remote pilot - spring return	46 (3.2)	51 (3.5)	51 (3.5)	51 (3.5)
Double solenoid - 2-position	22 (1.5)	22 (1.5)	22 (1.5)	22 (1.5)
Double remote pilot - 2-position	22 (1.5)	22 (1.5)	22 (1.5)	22 (1.5)
Double solenoid - 3-position (APB, PC, CE)	51 (3.5)	51 (3.5)	51 (3.5)	51 (3.5)
Double remote pilot - 3-position (APB, PC, CE)	51 (3.5)	51 (3.5)	51 (3.5)	51 (3.5)

Valve type - External pilot	P2LAX	P2LBX	P2LCX	P2LDX
All Viking series	Vacuum			

\* P2LC and P2LD solenoid operated valves have a maximum pressure rating of 175 PSIG (12 bar).

Size A and B solenoid valves can be field converted from internal pilot to external pilot and visa versa. See previous page for information.

**Solenoid voltage characteristics**

**Non-Mobile Coil -**

**Voltage Code 42, 45, 49, 53, 57**  
 15mm, DIN 43650C (Enclosure: 5)  
 +10%, -15%

**Mobile Coil -**

**Voltage Code 47, 48**  
 15mm, Din 43650C (Enclosure: 5)  
 +25%, -30%

**Voltage Code 46**  
 (Enclosure G,T,V)  
 +10%, -30%

**Solenoid voltage characteristics**

**Non-mobile coils -**

**Voltage code B9, 42, 45, 49, 53, 57**  
 Enclosure (7, A, B, E, F, G, H)  
 +10%, -10%

**Mobile coils - (valve type N)**

**22mm 12 & 24VDC - Mobile (47 & 48 voltage code)**

Operating temperature			
Minimum inlet pressure (bar)	-10°C	+10°C	+50°C
3	+30 / -25% VDC	+30 / -20% VDC	+25 / -15% VDC
6	+30 / -30% VDC	+30 / -25% VDC	+25 / -20% VDC
8	+30 / -30% VDC	+30 / -30% VDC	+25 / -25% VDC
10	+30 / -30% VDC	+30 / -30% VDC	+25 / -30% VDC

**30mm 12 & 24VDC - Mobile (47 & 48 voltage code)**

Operating temperature			
Minimum inlet pressure (bar)	-10°C	+10°C	+50°C
3	+30 / -30% VDC	+30 / -30% VDC	+25 / -30% VDC
6	+30 / -30% VDC	+30 / -30% VDC	+25 / -30% VDC
8	+30 / -30% VDC	+30 / -30% VDC	+25 / -30% VDC
10	+30 / -30% VDC	+30 / -30% VDC	+25 / -30% VDC

**Mobile coils - (valve type K & H)**

**22mm 12 & 24VDC - Mobile (47 & 48 voltage code)**

Operating temperature				
Minimum inlet pressure (bar)	-40°C	+10°C	+50°C	+70°C
4	+30 / -25% VDC	+30 / -25% VDC	+30 / -10% VDC	+20 / -10% VDC
8	+30 / -30% VDC	+30 / -25% VDC	+30 / -15% VDC	+20 / -15% VDC
12	+30 / -30% VDC	+30 / -30% VDC	+30 / -15% VDC	+20 / -15% VDC
16	+30 / -30% VDC	+30 / -30% VDC	+30 / -20% VDC	+20 / -20% VDC

**30mm 12 & 24VDC - Mobile (47 & 48 voltage code)**

Operating temperature				
Minimum inlet pressure (bar)	-40°C	+10°C	+50°C	+70°C
4	+30 / -30% VDC	+30 / -30% VDC	+25 / -30% VDC	+15 / -30% VDC
8	+30 / -30% VDC	+30 / -30% VDC	+25 / -30% VDC	+15 / -30% VDC
12	+30 / -30% VDC	+30 / -30% VDC	+25 / -30% VDC	+15 / -30% VDC
16	+30 / -30% VDC	+30 / -30% VDC	+25 / -30% VDC	+15 / -30% VDC

**Note:** All table ratings are based on 100% continuous duty and 5G shock vibration. At 50% continuous duty all ratings are +30% / -30% for all Temperatures and Pressures.

**C**

**Inline Valves**

**Viking Lite**

**Viking Extreme**

**"B" Series**

**Air Saver Unit**

**ADEX Series**

**"N" Series**



For inventory, lead time, and kit lookup, visit [www.pdnplu.com](http://www.pdnplu.com)

**Exhaust Protector**

**Features**

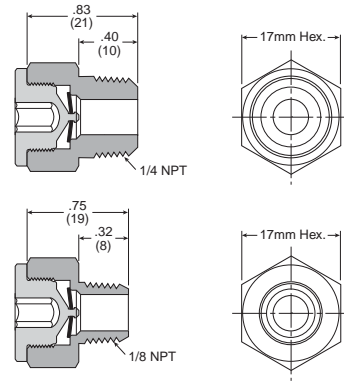
- 1/8 and 1/4 NPT male sizes
- Fitted with a brass pipe adapter and a fluorocarbon membrane
- Resistant to rust, clog, wash down and contamination

**Applications**

These protectors are intended for mobile applications, quick venting applications and alternative exhaust port breathers that require protection against clogging.

Ideal for valves exposed to harsh environmental conditions (which can cause a "caking up" in the exhaust pipe ports where the bronze mufflers or breather vents are installed).

Particularly suitable for time-sensitive applications such as axle-lift suspensions or pushers or tag axles.



**Operating information**

Operating pressure:	0 to 150 PSIG (0 to 10 bar)
Operating temperature:	-40°F to 140°F (-40°C to 60°C)

**Flow data (SCFM)**

Size	60 PSIG Inlet	90 PSIG Inlet	125 PSIG Inlet	Part number
1/8"	40.1	56.5	75.5	<b>E90016</b>
1/4"	44.6	62.7	83.5	<b>E90017</b>

**Material specifications**

Body & pipe adapter	Brass
Membrane	Fluorocarbon

**Exhaust Mufflers**

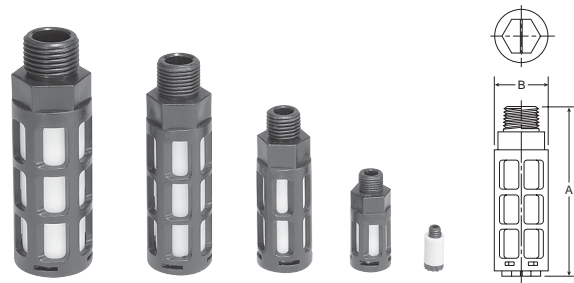
Pipe thread	Part number
M5	<b>P6M-PAC5</b>
1/8" NPT	<b>EM12</b>
1/4" NPT	<b>EM25</b>
3/8" NPT	<b>EM37</b>
1/2" NPT	<b>EM50</b>

P6M - Plastic; EM - Sintered bronze



**Plastic Silencers**

Thread size	A (mm)	B (mm)	Part number		
			NPT	BSPT	Metric
M5	.43 (11)	.32 (8)	-	-	<b>AS-5</b>
1/8"	1.57 (40)	.63 (16)	<b>ASN-6</b>	<b>AS-6</b>	-
1/4"	2.56 (65)	.83 (21)	<b>ASN-8</b>	<b>AS-8</b>	-
3/8"	3.35 (85)	.98 (25)	<b>ASN-10</b>	<b>AS-10</b>	-
1/2"	3.74 (95)	1.18 (30)	<b>ASN-15</b>	<b>AS-15</b>	-



C

Inline Valves

Viking Lite

Viking Extreme

"B" Series

Air Saver Unit

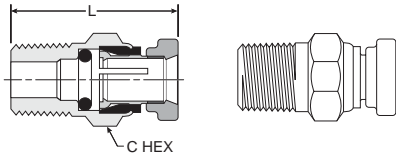
ADEX Series

"N" Series

**Accessories**

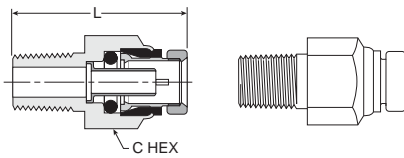
**Inline Valve Products, Viking Xtreme Connectors**

**68PM Male Connector**



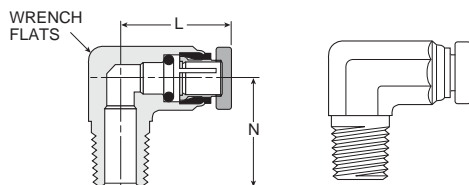
Part number	Tube size	Pipe thread (NPTF)	C hex	L
68PM-2-1	1/8	1/16	3/82	0.93
68PM-2-2	1/8	1/8	7/16	0.88
68PM-5/32-1	5/32	1/16	3/8	0.95
68PM-5/32-2	5/32	1/8	7/16	0.74
68PM-5/32-4	5/32	1/4	9/16	0.99
68PM-3-1	3/16	1/16	7/16	0.95
68PM-3-2	3/16	1/8	7/16	0.92
68PM-3-4	3/16	1/4	9/16	1.10

**68PMT Male Connector**



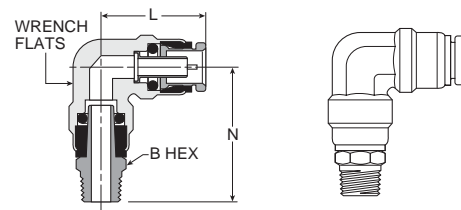
Part number	Tube size	Pipe thread (NPTF)	C hex	L
68PMT-4-2	1/4	1/8	1/2	1.06
68PMT-4-4	1/4	1/4	9/16	1.19
68PMT-4-6	1/4	3/8	3/4	1.27
68PMT-6-2	3/8	1/8	3/4	1.37
68PMT-6-4	3/8	1/4	3/4	1.43
68PMT-6-6	3/8	3/8	3/4	1.33
68PMT-6-8	3/8	1/2	7/8	1.38
68PMT-8-4	1/2	1/4	7/8	1.72
68PMT-8-6	1/2	3/8	7/8	1.52
68PMT-8-8	1/2	1/2	7/8	1.44
68PMT-10-6	5/8	3/8	1	1.88
68PMT-10-8	5/8	1/2	1	1.88
68PMT-12-8	3/4	1/2	1-3/16	2.03

**169PMNS Male Elbow Non-Swivel 90°**



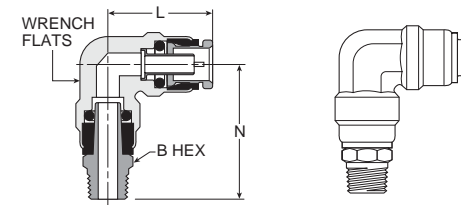
Part number	Tube size	Pipe thread (NPTF)	Wrench flats	L	N
169PMNS-2-2	1/8	1/8	3/8	0.86	0.68
169PMNS-5/32-2	5/32	1/8	3/8	0.88	0.68
169PMNS-3-2	3/16	1/8	3/8	0.75	0.67
169PMNS-3-4	3/16	1/4	1/2	0.74	0.93

**169PMT Male Elbow Swivel 90°**



Part number	Tube size	Pipe Thread (NPTF)	Wrench flats	B hex	L	N
169PMT-4-2	1/4	1/8	13/32	7/16	0.84	1.21
169PMT-4-4	1/4	1/4	13/32	9/16	0.84	1.43
169PMT-4-6	1/4	3/8	13/32	11/16	0.84	1.43
169PMT-6-2	3/8	1/8	9/16	9/16	1.11	1.41
169PMT-6-4	3/8	1/4	9/16	9/16	1.11	1.58
169PMT-6-6	3/8	3/8	9/16	11/16	1.11	1.58
169PMT-6-8	3/8	1/2	9/16	7/8	1.11	1.79
169PMT-8-4	1/2	1/4	11/16	5/8	1.27	1.73
169PMT-8-6	1/2	3/8	11/16	3/4	1.27	1.81
169PMT-8-8	1/2	1/2	11/16	7/8	1.27	1.96
169PMT-10-6	5/8	3/8	7/8	3/4	1.53	2.03
169PMT-10-8	5/8	1/2	7/8	7/8	1.53	2.18

**169PMTL Male Elbow Long Non-Swivel 90°**



Part number	Tube size	Pipe Thread (NPTF)	Wrench flats	B hex	L	N
169PMTL-6-4	3/8	1/4	9/16	9/16	1.06	1.63
169PMTL-6-6	3/8	3/8	9/16	7/8	1.19	2.50
169PMTL-6-8	3/8	1/2	9/16	7/8	1.19	2.50
169PMTL-8-8	1/2	1/2	11/16	7/8	1.22	2.50
169PMTL-10-8	5/8	1/2	7/8	7/8	1.46	2.50

**C**

Inline Valves

Viking Lite

Viking Extreme

"B" Series

Air Saver Unit

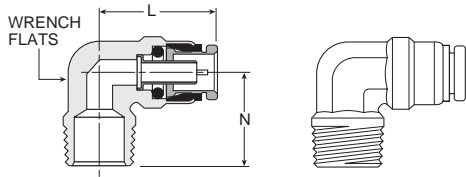
ADEX Series

"N" Series



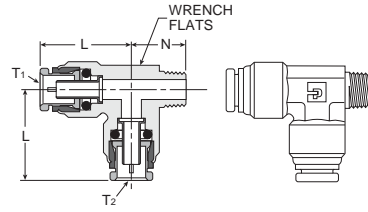
For inventory, lead time, and kit lookup, visit [www.pdnplu.com](http://www.pdnplu.com)

**169PMTNS Male Elbow Non-Swivel 90°**



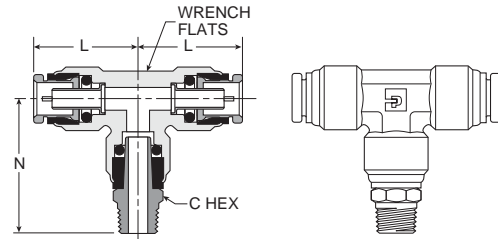
Part number	Tube size	Pipe thread (NPTF)	Wrench flats	L	N
169PMTNS-4-2	1/4	1/8	1/2	0.84	0.72
169PMTNS-4-4	1/4	1/4	1/2	0.84	0.90
169PMTNS-4-6	1/4	3/8	1/2	0.84	1.06
169PMTNS-6-2	3/8	1/8	9/16	1.05	0.75
169PMTNS-6-4	3/8	1/4	9/16	1.05	0.94
169PMTNS-6-6	3/8	3/8	3/4	1.05	0.94
169PMTNS-6-8	3/8	1/2	11/16	1.12	1.26
169PMTNS-8-4	1/2	1/4	11/16	1.17	1.06
169PMTNS-8-6	1/2	3/8	11/16	1.22	1.06
169PMTNS-8-8	1/2	1/2	11/16	1.22	1.26
169PMTNS-10-6	5/8	3/8	7/8	1.46	1.11
169PMTNS-10-8	5/8	1/2	7/8	1.46	1.32
169PMTNS-12-8	3/4	1/2	1	1.81	1.44

**171PMTNS Male Run Tee Non-Swivel**



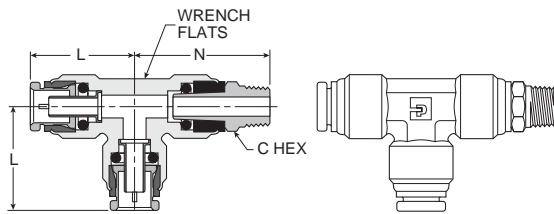
Part number	Tube 1 size	Tube 2 size	Pipe thread (NPTF)	Wrench flats	L1	L2	N
171PMTNS-4-4	1/4	1/4	1/4	15-32	0.91	0.91	0.94
171PMTNS-4-6-4	1/4	3/8	1/4	5/8	0.93	1.21	0.97
171PMTNS-6-4	3/8	3/8	1/4	5/8	1.21	1.21	0.97
171PMTNS-6-4-4	3/8	1/4	1/4	5/8	1.21	0.93	0.97
171PMTNS-6-4-6	3/8	1/4	3/8	5/8	1.22	0.97	0.93
171PMTNS-6-6	1/2	3/8	3/8	5/8	1.21	1.27	0.97
171PMTNS-6-8	1/2	3/8	1/2	5/8	1.17	1.27	1.26
171PMTNS-8-4	1/2	1/2	1/4	7/8	1.28	1.27	1.06

**172PMT Male Branch Tee Swivel**



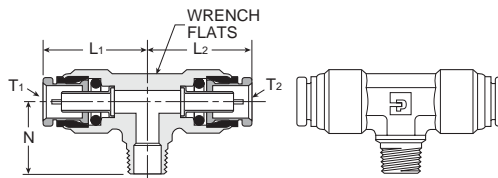
Part number	Tube size	Pipe thread (NPTF)	Wrench flats	C hex	L	N
172PMT-4-2	1/4	1/8	1/2	7/16	0.85	1.25
172PMT-4-4	1/4	1/4	1/2	9/16	0.85	1.43
172PMT-6-2	3/8	1/8	5/8	9/16	1.22	1.66
172PMT-6-4	3/8	1/4	5/8	5/8	1.22	1.83
172PMT-6-6	3/8	3/8	5/8	3/4	1.22	1.83
172PMT-8-4	1/2	1/4	7/8	5/8	1.27	1.73
172PMT-8-6	1/2	3/8	7/8	3/4	1.27	1.79
172PMT-8-8	1/2	1/2	7/8	7/8	1.27	1.97

**171PMT Male Run Tee Swivel**



Part number	Tube size	Pipe thread (NPTF)	Wrench flats	L	N	N
171PMT-4-2	1/4	1/8	1/2	7/16	.85	1.25
171PMT-4-4	1/4	1/4	1/2	9/16	.85	1.48
171PMT-4-6	1/4	3/8	1/2	11/16	.85	1.43
171PMT-6-4	3/8	1/4	5/8	9/16	1.21	1.83
171PMT-6-6	3/8	3/8	5/8	11/16	1.21	1.83
171PMT-8-4	1/2	1/4	7/8	5/8	1.27	1.74
171PMT-8-6	1/2	3/8	7/8	3/4	1.27	1.83
171PMT-8-8	1/2	1/2	7/8	7/8	1.27	1.99

**172PMTNS Male Branch Tee Non-Swivel**



Part number	Tube 1 size	Tube 2 size	Pipe thread (NPTF)	Wrench flats	L1	L2	N
172PMTNS-4-2	1/4	1/4	1/8	1/2	0.91	0.91	0.78
172PMTNS-6-4	3/8	3/8	1/4	5/8	1.21	1.21	0.97
172PMTNS-6-4-4	3/8	1/4	1/4	5/8	1.21	.93	0.97
172PMTNS-6-6	3/8	3/8	3/8	5/8	1.21	1.21	0.97
172PMTNS-6-8	3/8	3/8	1/2	7/8	1.17	1.17	1.26
172PMTNS-8-6	1/2	1/2	3/8	7/8	1.28	1.28	1.06
172PMTNS-8-6-8	1/2	3/8	1/2	7/8	1.25	1.25	1.25
172PMTNS-8-8	1/2	1/2	1/2	7/8	1.34	1.25	1.25

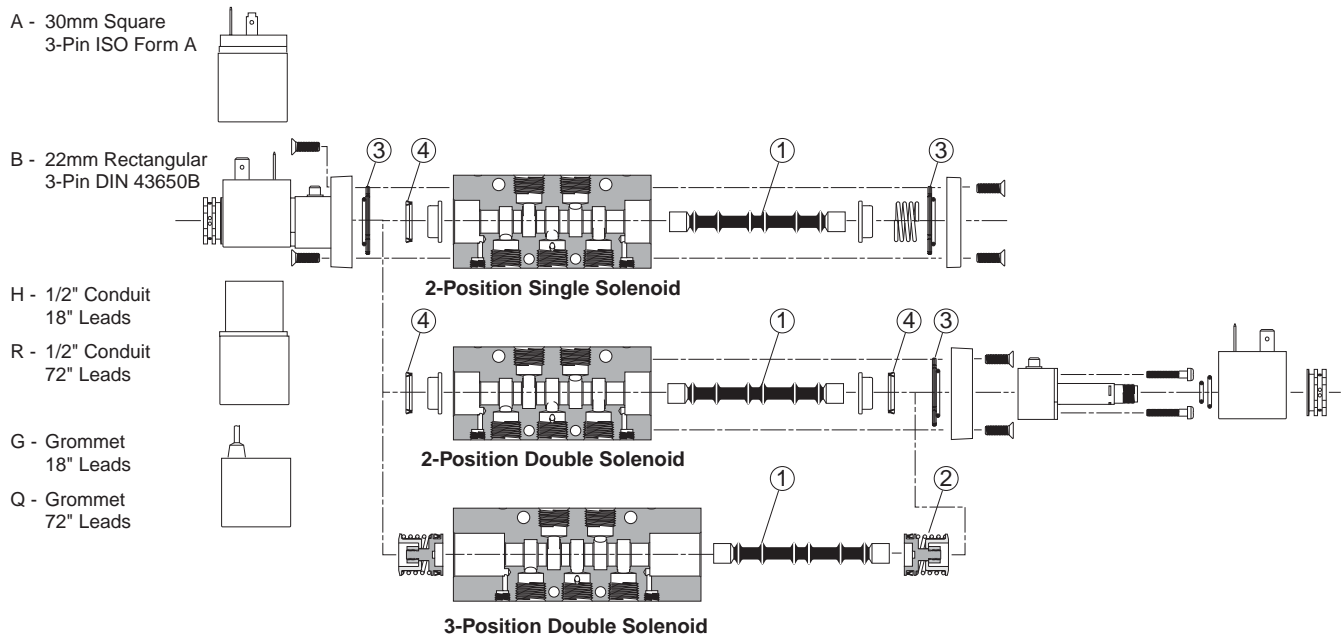
C
Inline Valves
Viking Lite
Viking Extreme
"B" Series
Air Saver Unit
ADEX Series
"N" Series



For inventory, lead times, and kit lookup, visit [www.pdnplu.com](http://www.pdnplu.com)

**Spool Service Kits**

Description	Includes items (qty.)	Part number
Size A, 4-way, 2-position, solenoid & air pilot valves	1 (1), 3 (2), 4 (2)	<b>P2LAXSK1</b>
Size A, 4-way, 3-position, solenoid & air pilot valves	1 (1), 2 (2), 3 (2), 4 (2)	<b>P2LAXSK2</b>
Size A & Size B, 3-way, 2-position, solenoid & air pilot valves	1 (1), 3 (2), 4 (2)	<b>P2LAXBXSK1</b>
Size B, 4-way, 2 & 3-position valves	1 (1), 3 (2), 4 (2)	<b>P2LBXSK1</b>
Size C & Size D, 3-way, 2-position valves	1 (1), 3 (2), 4 (2)	<b>P2LCXDYSK1</b>
Size C & Size D, 4-way, 2 & 3-position valves	1 (1), 3 (2), 4 (2)	<b>P2LCXDYSK1</b>



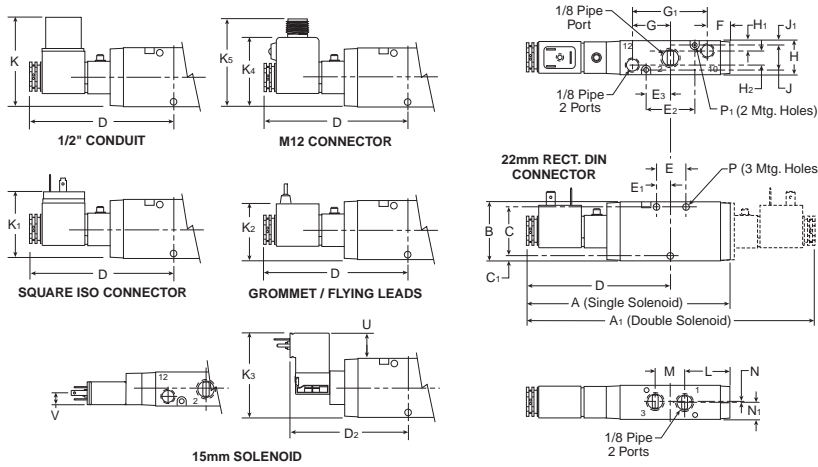
<b>C</b>
Inline Valves
Viking Lite
Viking Xtreme
"B" Series
Air Saver Unit
ADEX Series
"N" Series



For inventory, lead time, and kit lookup, visit [www.pdnplu.com](http://www.pdnplu.com)



**P2LAX 3/2 Single & Double Operators – Solenoid**

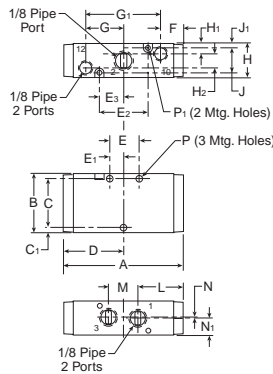


**P2LAX 3/2 (solenoid)**

A	A1	B	C	C1	D
5.35 (136)	7.60 (193)	1.57 (40)	1.26 (32)	.16 (4)	3.80 (97)
D2	E	E1	E2	E3	F
3.00 (76.8)	.79 (20)	.39 (10)	1.26 (32)	.63 (16)	.55 (14)
G	G1	H	H1	H2	J
.98 (25)	1.97 (50)	.87 (22)	.26 (6.6)	.35 (9)	.65 (16.5)
J1	K	K1	K2	K3	K4
.11 (2.9)	2.36 (60)	1.61 (41)	1.50 (38)	2.24 (57)	1.70 (43.3)
K5	L	M	N	N1	P
2.10 (53.3)	1.14 (29)	.79 (20)	.02 (0.5)	.42 (11)	Ø .17 Ø (4.3)
P1	U	V			
Ø .12 Ø (3.1)	0.81 (20.5)	0.29 (7.5)			

Inches (mm)

**P2LAX 3/2 Single & Double Operators – Remote Air Pilot**

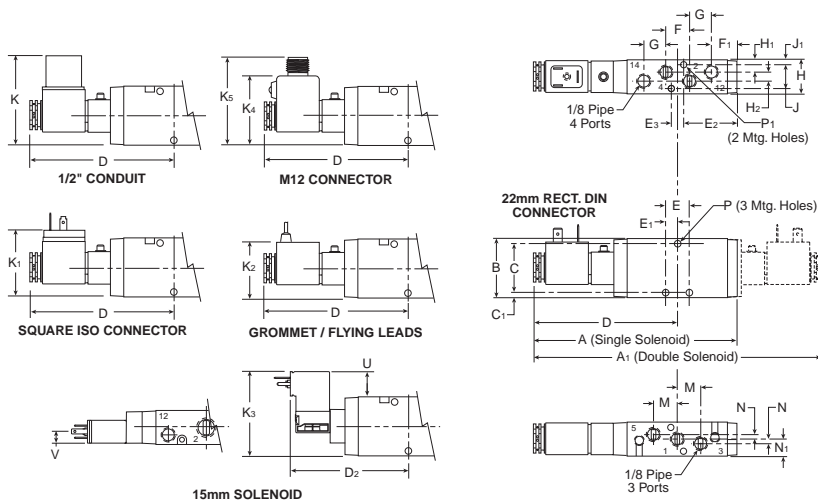


**P2LAX 3/2 (remote air pilot)**

A	B	C	C1	D	E
3.07 (78)	1.57 (40)	1.26 (32)	.16 (4)	1.54 (39)	.79 (20)
E1	E2	E3	F	G	G1
.39 (10)	1.26 (32)	.63 (16)	.55 (14)	.98 (25)	1.97 (50)
H	H1	H2	J	J1	L
.87 (22)	.26 (6.6)	.35 (9)	.65 (16.5)	.11 (2.9)	1.14 (29)
M	N	N1	P	P1	
.79 (20)	.02 (0.5)	.42 (11)	Ø .17 Ø (4.3)	Ø .12 Ø (3.1)	

Inches (mm)

**P2LAX 5/2 & 5/3 Single & Double Operators, 4-way**



**P2LAX 5/2 & 5/3 (solenoid)**

A	A1	B	C	C1	D
5.47 (139)	7.72 (196)	1.57 (40)	1.30 (33)	.14 (3.5)	3.86 (98)
D2	E	E1	E2	E3	F
3.48 (88.3)	.63 (16)	.31 (8)	1.42 (36)	.33 (8.5)	.63 (16)
F1	G	H	H1	H2	J
.67 (17)	.59 (15)	.87 (22)	.31 (8)	.24 (6)	.63 (16)
J1	K	K1	K2	K3	K4
.12 (3.9)	2.36 (60)	1.61 (41)	1.50 (38)	2.24 (57)	1.63 (41.3)
K5	M	N	N1	P	P1
2.10 (53.3)	.63 (16)	.12 (3)	.43 (11)	Ø .17 Ø (4.3)	Ø .12 Ø (3.1)
U	V				
0.81 (20.5)	0.29 (7.5)				

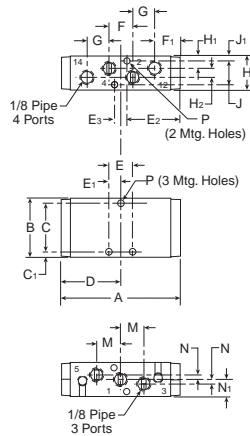
Inches (mm)

**C**  
 Inline Valves  
 Viking  
 Lite  
 Viking  
 Extreme  
 "B"  
 Series  
 Air Saver  
 Unit  
 ADEX  
 Series  
 "N"  
 Series



For inventory, lead times, and kit lookup, visit [www.pdnplu.com](http://www.pdnplu.com)

**P2LAX 5/2 & 5/3 Single & Double Operators – Remote Pilot**

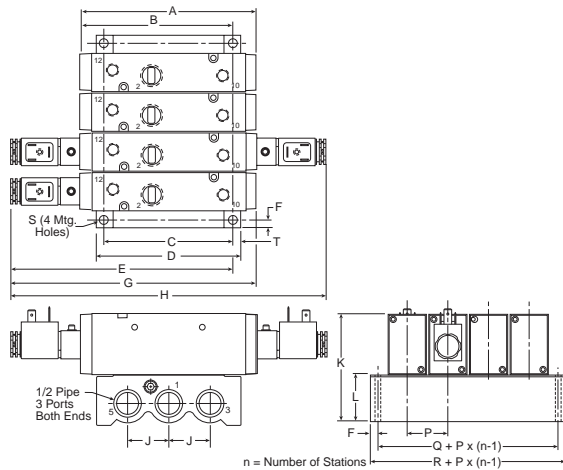


**P2LAX 5/2 & 5/3 (remote)**

A	B	C	C <sub>1</sub>	D
3.19 (81)	1.57 (40)	1.30 (33)	.14 (3.5)	1.59 (40.5)
E	E <sub>1</sub>	E <sub>2</sub>	E <sub>3</sub>	F
1.47 (16)	.31 (8)	1.42 (36)	.33 (8.5)	.63 (16)
F <sub>1</sub>	G	H	H <sub>1</sub>	H <sub>2</sub>
.67 (17)	.59 (15)	.87 (22)	.31 (8)	.24 (6)
J	J <sub>1</sub>	M	N	N <sub>1</sub>
.63 (16)	.12 (3)	.63 (16)	.12 (3)	.43 (11)
P	P <sub>1</sub>			
Ø .17 Ø (4.3)	Ø .12 Ø (3.1)			

Inches (mm)

**P2LAX 3/2 Single & Double Operators – IEM Aluminum Bar Manifold**

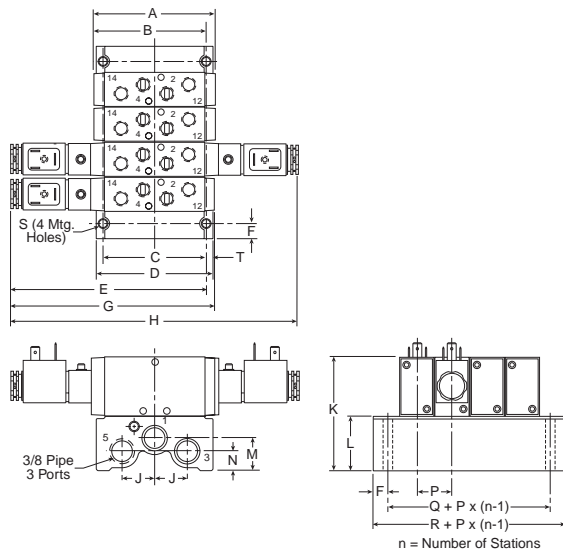


**P2LAX 3/2  
 IEM Aluminum bar manifold**

A	B	C	D	E
3.07 (78)	2.83 (72)	2.76 (70)	3.12 (79)	5.18 (132)
F	G	H	J	K
41 (10.5)	5.35 (136)	7.72 (193)	.87 (22)	3.11 (79)
L	M	N	P	Q
1.54 (39)	.87 (22)	.52 (13.2)	.93 (23.5)	1.56 (39.5)
R	S	T		
2.36 (60)	Ø .22 Ø (5.5)	.18 (4.5)		

Inches (mm)

**P2LAX 5/2 & 5/3 Single & Double Operators – IEM Aluminum Bar Manifold**



**P2LAX 5/2 & 5/3  
 IEM Aluminum bar manifold**

A	B	C	D	E
3.19 (81)	2.97 (76)	2.76 (70)	3.12 (79)	5.26 (134)
F	G	H	J	K
41 (10.5)	5.47 (139)	7.72 (196)	.87 (22)	3.11 (79)
L	M	N	P	Q
1.54 (39)	.87 (22)	.52 (13.2)	.93 (23.5)	1.56 (39.5)
R	S	T		
2.36 (60)	Ø .22 Ø (5.5)	.18 (4.5)		

Inches (mm)

C

Inline Valves

Viking Lite

Viking Xtreme

"B" Series

Air Saver Unit

ADEX Series

"N" Series

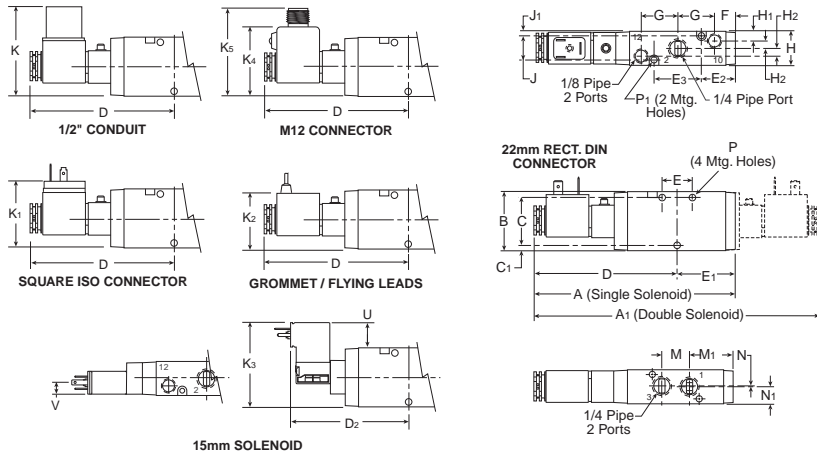


For inventory, lead time, and kit lookup, visit [www.pdnplu.com](http://www.pdnplu.com)

C33

**Parker Hannifin Corporation**  
 Pneumatic Division  
 Richland, Michigan  
[www.parker.com/pneumatics](http://www.parker.com/pneumatics)

**P2LBX 3/2 Single & Double Operators – Solenoid**

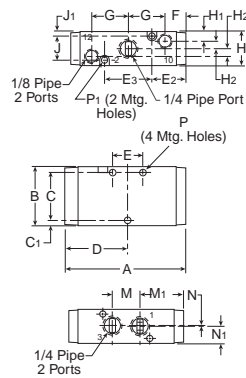


**P2LBX 3/2 (solenoid)**

A	A1	B	C	C1	D
5.35 (136)	7.60 (193)	1.57 (40)	1.26 (32)	.16 (4)	3.80 (96.5)
D2	E	E1	E2	E3	F
3.02 (76.8)	.79 (20)	1.54 (39)	.51 (13)	1.26 (32)	.55 (14)
G	H	H1	H2	J	J1
.98 (25)	.87 (22)	.26 (6.6)	.18 (4.5)	.65 (16.5)	.11 (2.9)
K	K1	K2	K3	K4	K5
2.36 (60)	1.61 (41)	1.50 (38)	2.24 (57)	1.63 (41.3)	2.10 (53.3)
M	M1	N	N1	P	P1
.79 (20)	1.14 (29)	.02 (0.5)	.42 (11)	Ø .17 Ø (4.3)	Ø .12 Ø (3.1)
U	V				
0.81 (20.5)	0.29 (7.5)				

Inches (mm)

**P2LBX 3/2 Single & Double Operators – Remote Air Pilot**

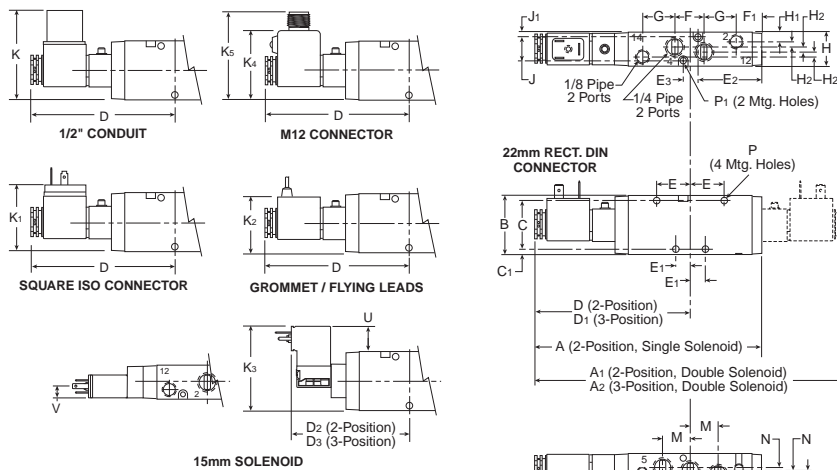


**P2LBX 3/2 (remote air pilot)**

A	B	C	C1	D	E
3.08 (78)	1.57 (40)	1.26 (32)	.16 (4)	1.54 (39)	.79 (20)
E2	E3	F	G	H	H1
.51 (13)	1.26 (32)	.55 (14)	.98 (25)	.87 (22)	.26 (6.6)
H2	J	J1	M	M1	N
.18 (4.5)	.65 (16.5)	.11 (2.9)	.79 (20)	1.14 (29)	.02 (0.5)
N1	P	P1			
.42 (11)	Ø .17 Ø (4.3)	Ø .12 Ø (3.1)			

Inches (mm)

**P2LBX 5/2 & 5/3 Single & Double Operators – Solenoid**



**P2LBX 5/2 & 5/3 (solenoid)**

A	A1	A2	B	C	C1
6.14 (156)	8.39 (213)	9.23 (235)	1.57 (40)	1.26 (32)	.16 (4)
D	D1	D2	D3	E	E1
4.21 (107)	4.64 (118)	3.48 (88.3)	3.92 (99.6)	.91 (23)	.39 (10)
E2	E3	F	F1	G	H
1.73 (44)	.39 (10)	.79 (20)	.67 (17)	.87 (22)	.87 (22)
H1	H2	J	J1	K	K1
.26 (6.6)	.12 (3)	.65 (16.5)	.12 (3)	2.36 (60)	1.61 (41)
K2	K3	K4	K5	M	N
1.50 (38)	2.24 (57)	1.70 (43.3)	2.10 (53.3)	.79 (20)	.08 (2)
N1	P	P1	U	V	
.43 (11)	Ø .17 Ø (4.3)	Ø .12 Ø (3.1)	0.81 (20.5)	0.29 (7.5)	

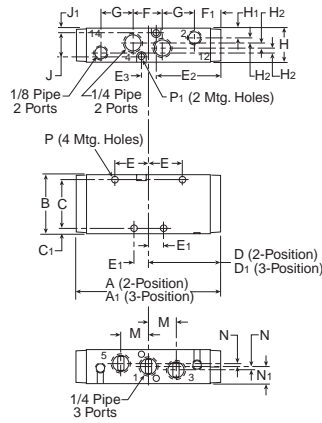
Inches (mm)

**C**  
 Inline Valves  
 Viking  
 Lite  
 Viking  
 Extreme  
 Series  
 "B"  
 Air Saver  
 Unit  
 ADEX  
 Series  
 "N"  
 Series



For inventory, lead times, and kit lookup, visit [www.pdnplu.com](http://www.pdnplu.com)

**P2LBX 5/2 & 5/3 Single & Double Operators – Remote Air Pilot**

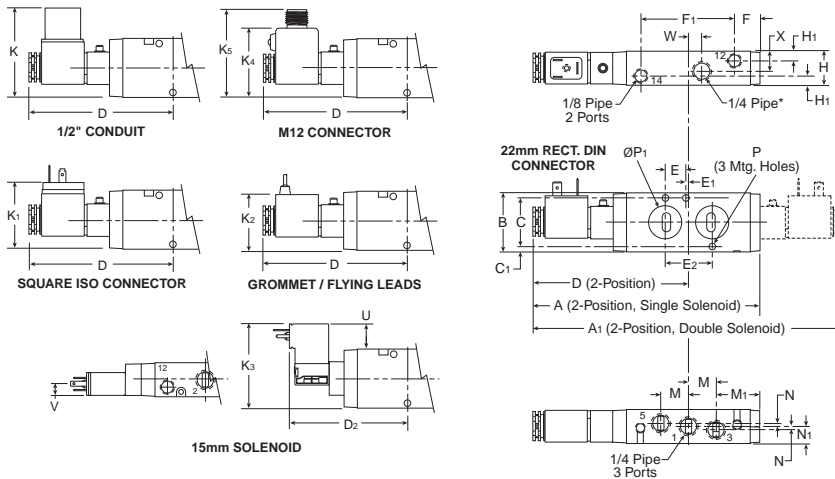


**P2LBX 5/2 & 5/3 (remote air pilot)**

A	A1	B	C	C1	D
3.95 (100)	4.61 (117)	1.57 (40)	1.26 (32)	.16 (4)	1.93 (49)
D1	E	E1	E2	E3	F
2.28 (58)	.91 (23)	.39 (10)	1.73 (44)	.39 (10)	.79 (20)
F1	G	H	H1	H2	J
.67 (17)	.87 (22)	.8 (22)	.26 (6.6)	.12 (3)	.65 (16.5)
J1	K	M	N	N1	P
.11 (2.8)	2.90 (74)	.79 (20)	.08 (2)	.43 (11)	Ø .17 Ø (4.3)
P1					
Ø .12 Ø (3.1)					

Inches (mm)

**P2LBX 5/2 Single & Double Operators – Solenoid NAMUR**



**P2LBX 5/2 (NAMUR)**

A	A1	B	C	C1	D
6.15 (156)	8.39 (213)	1.57 (40)	1.26 (32)	.16 (4)	4.21 (107)
D2	E	E1	E2	F	F1
3.48 (88.3)	.47 (12)	.08 (2)	.94 (24)	.67 (17)	2.52 (64)
K	K1	K2	K3	K4	K5
2.36 (60)	1.61 (41)	1.50 (38)	2.24 (57)	1.70 (43.3)	2.10 (53.3)
H	H1	M	M1	N	N1
.87 (22)	.26 (6.6)	.79 (20)	1.14 (29)	.08 (2)	.43 (11)
P	P1	U	V	W	X
Ø .22 Ø (5.5)	Ø .76 Ø (19.4)	0.81 (20.5)	0.29 (7.5)	0.39 (10)	0.50 (12.6)

Inches (mm)

\* Valve includes 1/4 pipe plug, o-rings and mounting bolts.

C

Inline Valves

Viking Lite

Viking Extreme

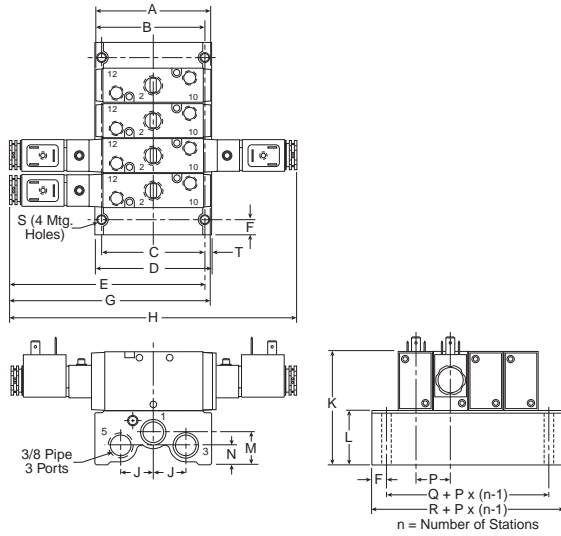
"B" Series

Air Saver Unit

ADEX Series

"N" Series

**P2LBX 3/2 Single & Double Operators – IEM Aluminum Bar Manifold**



**P2LBX 3/2**  
**IEM Aluminum bar manifold**

A	B	C	D	E
3.86 (78)	2.91 (74)	2.76 (70)	3.12 (79)	5.17 (131)

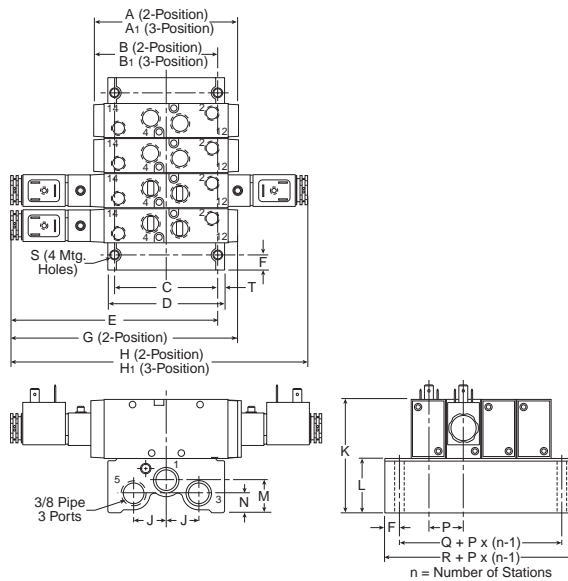
F	G	H	J	K
.40 (10.2)	5.33 (136)	7.6 (193)	.87 (22)	3.11 (79)

L	M	N	P	Q
1.47 (37)	.87 (22)	.52 (13.2)	.93 (23.5)	1.56 (39.6)

R	S	T
2.36 (60)	Ø .22 (5.5)	.18 (4.6)

Inches (mm)

**P2LBX 5/2 & 5/3 Single & Double Operators – IEM Aluminum Bar Manifold**



**P2LBX 5/2 & 5/3**  
**IEM Aluminum bar manifold**

A	A1	B	B1	C
3.86 (98)	4.70 (120)	3.42 (84)	3.73 (95)	2.76 (70)

D	E	F	G	H
3.12 (79)	5.59 (142)	.40 (10.2)	6.14 (156)	8.39 (213)

H1	J	K	L	M
9.23 (235)	.87 (22)	3.11 (79)	1.47 (37)	.87 (22)

N	P	Q	R	S
.52 (13.2)	.93 (23.5)	1.56 (39.6)	2.36 (60)	Ø .22 (5.5)

T
.18 (4.6)

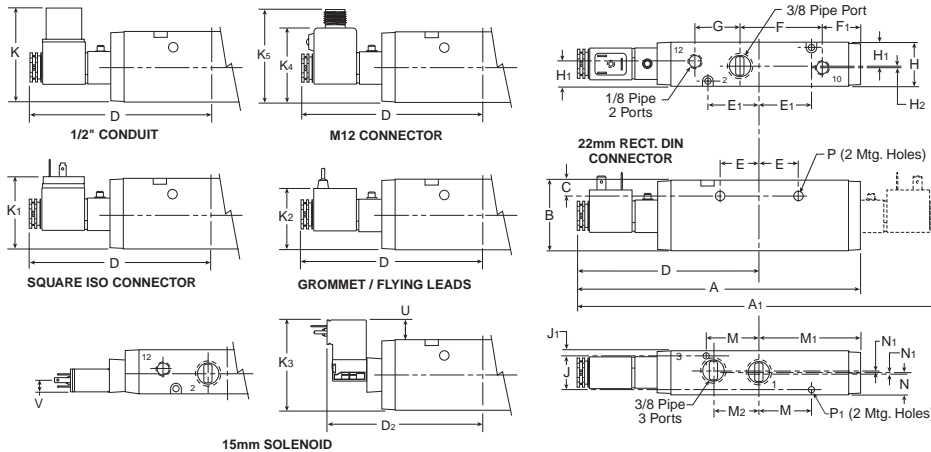
Inches (mm)

**C**  
 Inline Valves  
 Viking  
 Lite  
 Viking  
 Extreme  
 "B"  
 Series  
 Air Saver  
 Unit  
 ADEX  
 Series  
 "N"  
 Series



For inventory, lead times, and kit lookup, visit [www.pdnplu.com](http://www.pdnplu.com)

**P2LCX 3/2 Single & Double Operators – Solenoid**

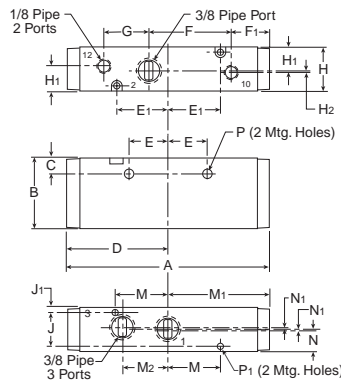


**P2LCX 3/2 (solenoid)**

<b>A</b>	<b>A<sub>1</sub></b>	<b>B</b>	<b>C</b>	<b>D</b>
7.66 (194.5)	9.80 (249)	1.89 (48)	.43 (11)	4.90 (124.5)
<b>D<sub>2</sub></b>	<b>E</b>	<b>E<sub>1</sub></b>	<b>F</b>	<b>F<sub>1</sub></b>
4.17 (105.8)	1.04 (26.5)	1.40 (35.5)	2.24 (57)	1.02 (26)
<b>G</b>	<b>H</b>	<b>H<sub>1</sub></b>	<b>H<sub>2</sub></b>	<b>J</b>
1.22 (31)	1.18 (30)	.67 (17)	.02 (0.5)	.91 (23)
<b>J<sub>1</sub></b>	<b>K</b>	<b>K<sub>1</sub></b>	<b>K<sub>2</sub></b>	<b>K<sub>3</sub></b>
.14 (3.5)	2.52 (64)	1.77 (45)	1.65 (42)	2.41 (61.3)
<b>K<sub>4</sub></b>	<b>K<sub>5</sub></b>	<b>M</b>	<b>M<sub>1</sub></b>	<b>M<sub>2</sub></b>
1.78 (45.3)	2.26 (57.3)	1.40 (35.5)	2.76 (70)	1.18 (30)
<b>N</b>	<b>N<sub>1</sub></b>	<b>P</b>	<b>P<sub>1</sub></b>	<b>U</b>
.55 (14)	.04 (1)	Ø .27 (6.9)	Ø .17 (4.4)	0.52 (13.3)
<b>V</b>				
0.65 (7.5)				

Inches (mm)

**P2LCX 3/2 Single & Double Operators – Remote Air Pilot**



**P2LCX 3/2 (remote air pilot)**

<b>A</b>	<b>B</b>	<b>C</b>	<b>D</b>	<b>E</b>
5.51 (140)	1.89 (48)	.43 (11)	2.76 (70)	1.04 (26.5)
<b>E<sub>1</sub></b>	<b>F</b>	<b>F<sub>1</sub></b>	<b>G</b>	<b>H</b>
1.40 (35.5)	2.24 (57)	1.02 (26)	1.22 (31)	1.18 (30)
<b>H<sub>1</sub></b>	<b>H<sub>2</sub></b>	<b>J</b>	<b>J<sub>1</sub></b>	<b>M</b>
.67 (17)	.02 (0.5)	.91 (23)	.14 (3.5)	1.40 (35.5)
<b>M<sub>1</sub></b>	<b>M<sub>2</sub></b>	<b>N</b>	<b>N<sub>1</sub></b>	<b>P</b>
2.76 (70)	1.18 (30)	.55 (14)	.04 (1)	Ø .27 (6.9)
<b>P<sub>1</sub></b>				
Ø .17 (4.4)				

Inches (mm)

**C**

Inline Valves

Viking Lite

Viking Extreme

"B" Series

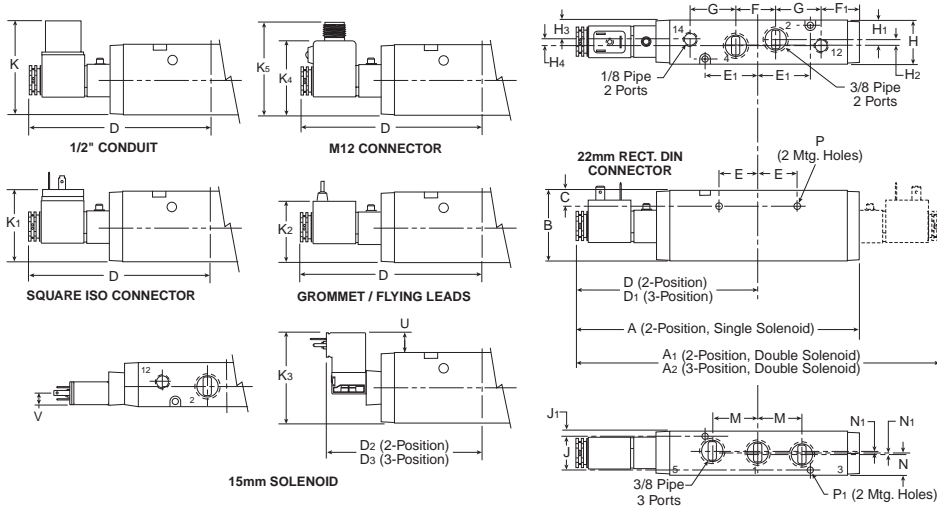
Air Saver Unit

ADEX Series

"N" Series



**P2LCX 5/2 & 5/3 Single & Double Operators – Solenoid**

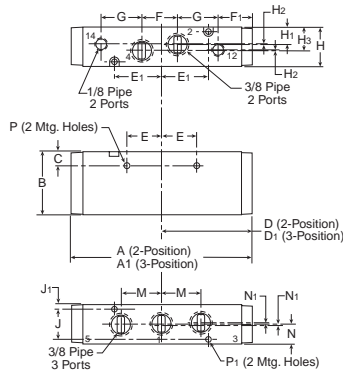


**P2LCX 5/2 & 5/3 (solenoid)**

<b>A</b>	<b>A<sub>1</sub></b>	<b>A<sub>2</sub></b>	<b>B</b>	<b>C</b>
7.68 (195)	9.84 (250)	10.71 (272)	1.89 (48)	.43 (11)
<b>D</b>	<b>D<sub>1</sub></b>	<b>D<sub>2</sub></b>	<b>D<sub>3</sub></b>	<b>E</b>
4.92 (125)	5.35 (136)	4.17 (105.8)	4.61 (117.2)	1.04 (26.5)
<b>E<sub>1</sub></b>	<b>F</b>	<b>F<sub>1</sub></b>	<b>G</b>	<b>H</b>
1.40 (35.5)	1.06 (27)	1.02 (26)	1.22 (31)	1.18 (30)
<b>H<sub>1</sub></b>	<b>H<sub>2</sub></b>	<b>H<sub>3</sub></b>	<b>H<sub>4</sub></b>	<b>J</b>
.53 (13.5)	.12 (3)	.51 (13)	.16 (4)	.91 (23)
<b>J<sub>1</sub></b>	<b>K</b>	<b>K<sub>1</sub></b>	<b>K<sub>2</sub></b>	<b>K<sub>3</sub></b>
.14 (3.5)	2.52 (64)	1.77 (45)	1.65 (42)	2.41 (61.3)
<b>K<sub>4</sub></b>	<b>K<sub>5</sub></b>	<b>M</b>	<b>N</b>	<b>N<sub>1</sub></b>
1.78 (45.3)	2.26 (57.3)	1.18 (30)	.55 (14)	.04 (1)
<b>P</b>	<b>P<sub>1</sub></b>	<b>U</b>	<b>V</b>	
Ø .27 (6.9)	Ø .17 (4.4)	0.52 (13.3)	0.29 (7.5)	

Inches (mm)

**P2LCX 5/2 & 5/3 Single & Double Operators – Remote Air Pilot**

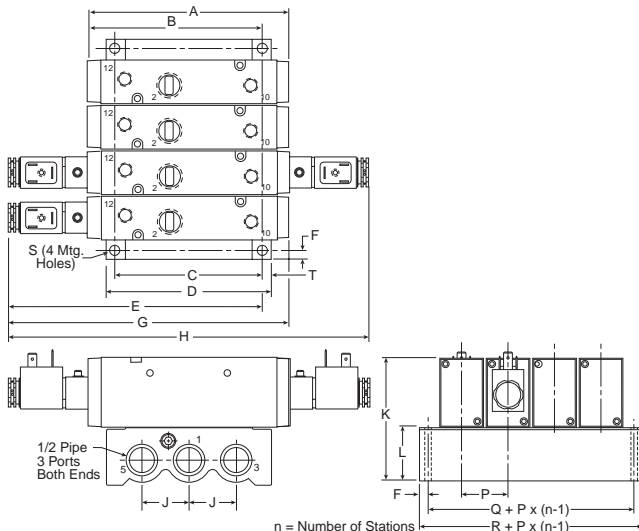


**P2LCX 5/2 & 5/3 (remote air pilot)**

<b>A</b>	<b>A<sub>1</sub></b>	<b>B</b>	<b>C</b>	<b>D</b>	<b>D<sub>1</sub></b>
5.51 (140)	6.38 (162)	1.89 (48)	.43 (11)	2.76 (70)	3.18 (81)
<b>E</b>	<b>E<sub>1</sub></b>	<b>F</b>	<b>F<sub>1</sub></b>	<b>G</b>	<b>H</b>
1.04 (26.5)	1.40 (35.5)	1.06 (27)	1.02 (26)	1.22 (31)	1.18 (30)
<b>H<sub>1</sub></b>	<b>H<sub>2</sub></b>	<b>H<sub>3</sub></b>	<b>J</b>	<b>J<sub>1</sub></b>	<b>M</b>
.51 (13)	.02 (0.5)	.12 (3)	.91 (23)	.14 (3.5)	1.18 (30)
<b>N</b>	<b>N<sub>1</sub></b>	<b>P</b>	<b>P<sub>1</sub></b>		
.55 (14)	.04 (1)	Ø .27 (6.9)	Ø .17 (4.4)		

Inches (mm)

**P2LCX 3/2 Single & Double Operators – IEM Aluminum Bar Manifold**



**P2LCX 3/2  
 IEM Aluminum bar manifold**

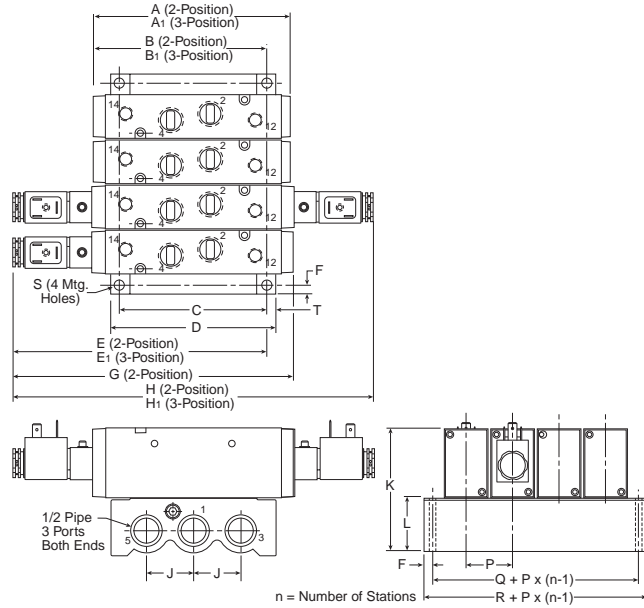
<b>A</b>	<b>B</b>	<b>C</b>	<b>D</b>	<b>E</b>	<b>F</b>
5.51 (140)	4.96 (126)	3.94 (100)	4.41 (112)	7.11 (180.5)	.24 (6)
<b>G</b>	<b>H</b>	<b>J</b>	<b>K</b>	<b>L</b>	<b>P</b>
7.66 (194.5)	9.80 (249)	1.26 (32)	3.43 (87)	1.54 (39)	1.24 (31.5)
<b>Q</b>	<b>R</b>	<b>S</b>	<b>T</b>		
1.77 (45)	2.24 (57)	Ø .26 (6.5)	.24 (6)		

Inches (mm)



For inventory, lead times, and kit lookup, visit [www.pdnplu.com](http://www.pdnplu.com)

**P2LCX 5/2 & 5/3 Single & Double Operators – IEM Aluminum Bar Manifold**

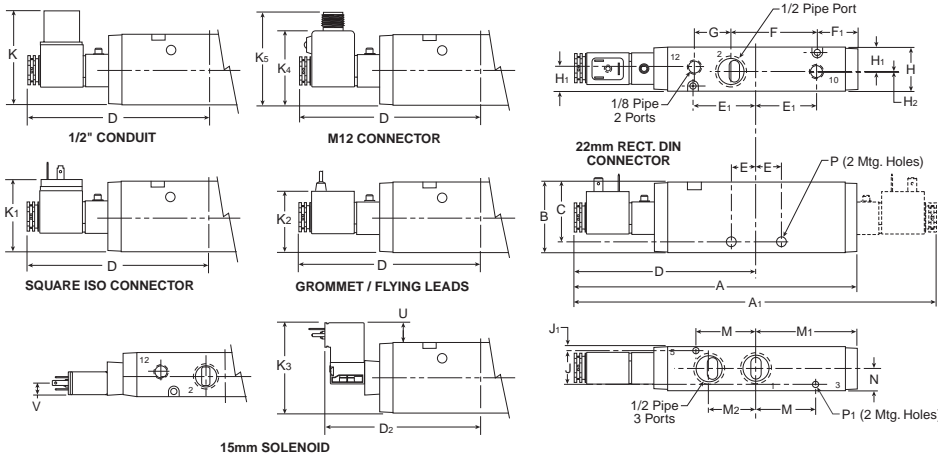


**P2PCX 5/2 & 5/3  
 IEM Aluminum bar manifold**

A	A <sub>1</sub>	B	B <sub>1</sub>	C
5.51 (140)	6.38 (162)	4.72 (120)	5.16 (131)	3.94 (100)
D	E	E <sub>1</sub>	F	G
4.41 (112)	6.89 (170)	7.13 (181)	.24 (6)	7.68 (195)
H	H <sub>1</sub>	J	K	L
9.84 (250)	10.71 (272)	1.26 (32)	3.43 (87)	1.54 (39)
P	Q	R	S	T
1.24 (31.5)	1.77 (45)	2.24 (57)	Ø .26 (6.5)	.24 (6)

Inches (mm)

**P2LDX 3/2 Single & Double Operators – Solenoid**



**P2LDX 3/2 (solenoid)**

A	A <sub>1</sub>	B	C	D
7.66 (194.5)	9.80 (249)	1.89 (48)	1.59 (40.5)	4.90 (124.5)
D <sub>2</sub>	E	E <sub>1</sub>	F	F <sub>1</sub>
4.17 (105.8)	.67 (17)	1.65 (42)	2.36 (60)	1.08 (27.5)
G	H	H <sub>1</sub>	H <sub>2</sub>	J
.98 (25)	1.18 (30)	.67 (17)	.02 (0.5)	.91 (23)
J <sub>1</sub>	K	K <sub>1</sub>	K <sub>2</sub>	K <sub>3</sub>
.14 (3.5)	2.52 (64)	1.77 (45)	1.65 (42)	2.41 (61.3)
K <sub>4</sub>	K <sub>5</sub>	M	M <sub>1</sub>	M <sub>2</sub>
1.78 (45.3)	2.26 (57.3)	1.65 (42)	2.76 (70)	1.30 (33)
N	P	P <sub>1</sub>	U	V
.59 (15)	Ø .26 (6.6)	Ø .17 (4.4)	0.65 (16.5)	0.29 (7.5)

Inches (mm)

C

Inline Valves

Viking Lite

Viking Extreme

"B" Series

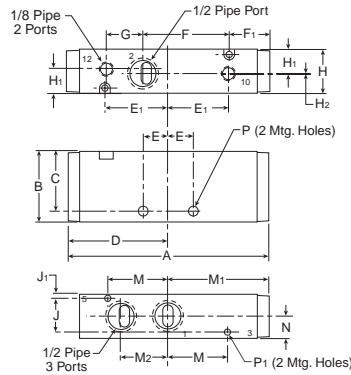
Air Saver Unit

ADEX Series

"N" Series



**P2LDX 3/2 Single & Double Operators – Remote Air Pilot**

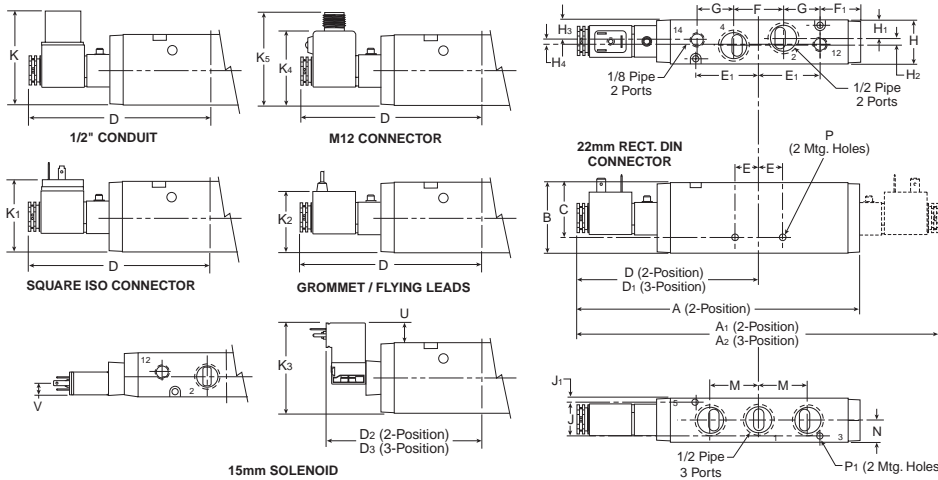


**P2LDX 3/2 (remote air pilot)**

A	B	C	D	E
5.51 (140)	1.89 (48)	1.59 (40.5)	2.76 (70)	.67 (17)
E <sub>1</sub>	F	F <sub>1</sub>	G	H
1.65 (42)	2.36 (60)	1.08 (27.5)	.98 (25)	1.18 (30)
H <sub>1</sub>	H <sub>2</sub>	J	J <sub>1</sub>	M
.67 (17)	.02 (0.5)	.91 (23)	.14 (3.5)	1.65 (42)
M <sub>1</sub>	M <sub>2</sub>	N	P	P <sub>1</sub>
2.76 (70)	1.30 (33)	.59 (15)	Ø .26 Ø (6.6)	Ø .17 Ø (4.4)

Inches (mm)

**P2LDX 5/2 & 5/3 Single & Double Operators – Solenoid**

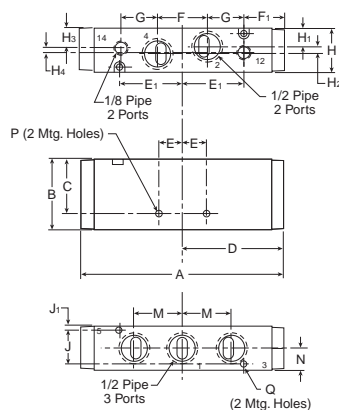


**P2LDX 5/2 & 5/3 (solenoid)**

A	A <sub>1</sub>	A <sub>2</sub>	B	C
7.67 (195)	9.84 (250)	10.7 (272)	1.89 (48)	1.59 (40.5)
D	D <sub>1</sub>	D <sub>2</sub>	D <sub>3</sub>	E
4.92 (125)	5.79 (147)	4.17 (105.3)	4.61 (117.2)	.67 (17)
E <sub>1</sub>	F	F <sub>1</sub>	G	H
1.65 (42)	1.34 (34)	1.10 (28)	.98 (25)	1.18 (30)
H <sub>1</sub>	H <sub>2</sub>	H <sub>3</sub>	H <sub>4</sub>	J
.49 (12.5)	.20 (5)	.51 (13)	.16 (4)	.91 (23)
J <sub>1</sub>	K	K <sub>1</sub>	K <sub>2</sub>	K <sub>3</sub>
.14 (3.5)	2.52 (64)	1.77 (45)	1.65 (42)	2.41 (61.3)
K <sub>4</sub>	K <sub>5</sub>	M	N	P
1.78 (45.3)	2.26 (57.3)	1.30 (33)	.59 (15)	Ø .26 Ø (6.6)
P <sub>1</sub>	U	V		
Ø .17 Ø (4.4)	0.52 (13.3)	0.29 (7.5)		

Inches (mm)

**P2LDX 5/2 & 5/3 Single & Double Operators – Remote Pilot**



**P2LDX 5/2 & 5/3 (remote)**

A	B	C	D	E
5.47 (139)	1.89 (48)	1.59 (40.5)	2.63 (67)	.67 (17)
E <sub>1</sub>	F	F <sub>1</sub>	G	H
1.65 (42)	1.34 (34)	1.08 (27.5)	.98 (25)	1.18 (30)
H <sub>1</sub>	H <sub>2</sub>	H <sub>3</sub>	H <sub>4</sub>	J
.49 (12.5)	.20 (5)	.51 (13)	.16 (4)	.91 (23)
J <sub>1</sub>	P	M	N	Q
.14 (3.5)	Ø .26 Ø (6.6)	1.29 (32.7)	.59 (15)	Ø .17 Ø (4.4)

Inches (mm)

**C**  
**Inline Valves**  
**Viking**  
**Lite**  
**Viking**  
**Extreme**  
**"B"**  
**Series**  
**Air Saver**  
**Unit**  
**ADEX**  
**Series**  
**"N"**  
**Series**



For inventory, lead times, and kit lookup, visit [www.pdnplu.com](http://www.pdnplu.com)

Features

**B Series**

B Series, an exceptional performing industrial valve in a compact size with an enhanced flow range.

Available in solenoid pilot operated and remote air pilot models. The B series features Parker's proven WCS (Wear Compensating Seal) system ensuring long life and fast response.

**Ports**

- B3: 1/8, 1/4 inch – 0.75 Cv
- B5: 1/4, 3/8 inch – 1.40 Cv
- B6: 3/8 inch – 2.50 Cv
- B7: 1/2 inch – 5.90 Cv
- B8: 3/4 inch – 7.00 Cv

**Mounting**

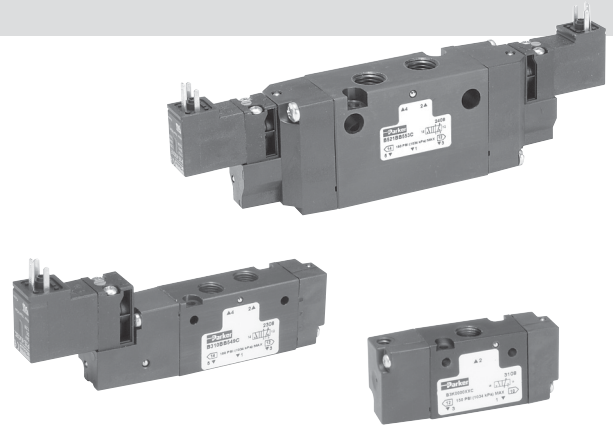
- Inline
- Subbase
- IEM stackable base
- IEM aluminum bar
- 5-port subbase aluminum bar

**Solenoids**

- 1.2 W – 15mm, 3-pin EN175301-803
- 2.5 to 7.3 watt - conduit, grommet, 22mm & 30mm, 3-pin DIN (433650)
- 12VDC to 240VAC
- Female DIN electrical connectors

**Certification / Approval**

- Approved to be CE marked
- IP65 rated
- CSA, C/US†



**Operating information**

Operating pressure:	Vacuum to 145 PSIG (Vacuum to 10 bar)
Minimum:	See chart below
CSA-NRTL/C:	See chart below
Operating temperature:	5°F to 120°F (-15°C to 49°C)

**Material specifications**

Body	Anodized aluminum
End caps	Nylon polymer - 33% glass filled
Seals	Nitrile
Solenoid	Polyamide
Spool	Aluminum

**Minimum operating pressure**

Operator / function	Internal pilot	Minimum PSIG (kPa)				
		B3	B5	B6	B7	B8
1. G. H	Single solenoid - air return					
2. A. J. S	Double solenoid	20 (138)	20 (138)	20 (138)	35 (241)	35 (241)
3. K. L	Single remote pilot - air return					
4. M	Double remote pilot	Vacuum				
5. 6. 7	Double solenoid - APB, CE, PC	30 (207)	30 (207)	30 (207)	45 (310)	45 (310)
8. 9. 0	Double remote pilot - APB, CE, PC	Vacuum				
E. V. W	Single solenoid - air return / spring assist	35 (241)	35 (241)	35 (241)	35 (241)	35 (241)
F. X. Y	Single remote pilot - air return / spring assist					
<b>External pilot**</b>						
All	"B" series	Vacuum				

\* External Pilot Pressure / Remote Pilot Signal 35-145 PSIG (241-1000 kPa).

† Not Available with B3 Dual 3/2.

**‡ CSA-NRTL/C operating pressure**

Note: For CSA-NRTL/C approved solenoid valves – insert an 'L' at the end of the valve part number.

Valve	Maximum PSIG (kPa)
B3	120 (827)
B5 & B6	145 (1000)*§
B7 & B8	145 (1000)*†

\* Enclosure Option E is CSA / FM approved at source. For certification of valve / solenoid assembly, consult factory.

† Not Available with Enclosure 5

§ Not available with Enclosures 0. 5 & X

C

Inline Valves

Viking Lite

Viking Extreme

"B" Series

Air Saver Unit

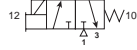
ADEX Series

"N" Series



For inventory, lead time, and kit lookup, visit [www.pdnplu.com](http://www.pdnplu.com)

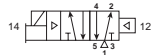
**Single Solenoid, 3-way, 2-position, NC**



Symbol	Port size	Cv	Voltage	Valve type	Part number
	1/8"	0.75 Cv	120VAC 24VDC	B3 Inline	<b>B3G0BB553C</b> <b>B3G0BB549C</b>
	1/4"	1.4 Cv	120VAC 24VDC	B5 Inline	<b>B5G1BB553C</b> <b>B5G1BB549C</b>
	3/8"	1.4 Cv	120VAC 24VDC	B5 Inline	<b>B5G2BB553C</b> <b>B5G2BB549C</b>
	3/8"	2.7 Cv	120VAC 24VDC	B6 Inline	<b>B6V2BB553A</b> <b>B6V2BB549A</b>
	1/2"	5.9 Cv	120VAC 24VDC	B7 Inline	<b>B7V3BB553A</b> <b>B7V3BB549A</b>
	3/4"	7.0 Cv	120VAC 24VDC	B8 Inline	<b>B8V4BB553A</b> <b>B8V4BB549A</b>

B3 shown, 3-Pin DIN 43650C electrical connection. Non-locking flush override.

**Single Solenoid, 4-way, 2-position**



Symbol	Port size	Cv	Voltage	Valve type	Part number
	1/8"	0.75 Cv	120VAC 24VDC	B3 Inline	<b>B310BB553C</b> <b>B310BB549C</b>
	1/4"	1.4 Cv	120VAC 24VDC	B5 Inline	<b>B511BB553C</b> <b>B511BB549C</b>
	3/8"	1.4 Cv	120VAC 24VDC	B5 Inline	<b>B512BB553C</b> <b>B512BB549C</b>
	3/8"	2.7 Cv	120VAC 24VDC	B6 Inline	<b>B612BB553A</b> <b>B612BB549A</b>
	1/2"	5.9 Cv	120VAC 24VDC	B7 Inline	<b>B713BB553A</b> <b>B713BB549A</b>
	3/4"	7.0 Cv	120VAC 24VDC	B8 Inline	<b>B814BB553A</b> <b>B814BB549A</b>
	Less base	0.65 Cv	120VAC 24VDC	B3 Subbase	<b>B31VBB553C</b> <b>B31VBB549C</b>

B3 shown, 3-Pin DIN 43650C electrical connection. Non-locking flush override.

**Double Solenoid, 4-way, 2-position**



Symbol	Port size	Cv	Voltage	Valve type	Part number
	1/8"	0.75 Cv	120VAC 24VDC	B3 Inline	<b>B320BB553C</b> <b>B320BB549C</b>
	1/4"	1.4 Cv	120VAC 24VDC	B5 Inline	<b>B521BB553C</b> <b>B521BB549C</b>
	3/8"	1.4 Cv	120VAC 24VDC	B5 Inline	<b>B522BB553C</b> <b>B522BB549C</b>
	3/8"	2.7 Cv	120VAC 24VDC	B6 Inline	<b>B622BB553A</b> <b>B622BB549A</b>
	1/2"	5.9 Cv	120VAC 24VDC	B7 Inline	<b>B723BB553A</b> <b>B723BB549A</b>
	3/4"	7.0 Cv	120VAC 24VDC	B8 Inline	<b>B824BB553A</b> <b>B824BB549A</b>
	Less base	0.65 Cv	120VAC 24VDC	B3 Subbase	<b>B32VBB553C</b> <b>B32VBB549C</b>

B5 shown, 3-Pin DIN 43650C electrical connection. Non-locking flush override.

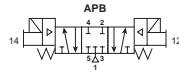
ANSI / (NFPA) T3.21.3-1990 standard for Cv measurement.

  Most popular.



For inventory, lead times, and kit lookup, visit [www.pdnplu.com](http://www.pdnplu.com)

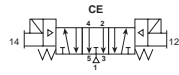
**Double Solenoid, 4-way, 3-position, APB**



Symbol	Port size	Cv	Voltage	Valve type	Part number
	1/8"	0.60 Cv	120VAC 24VDC	B3 Inline	<b>B350BB553C</b> <b>B350BB549C</b>
	1/4"	1.1 Cv	120VAC 24VDC	B5 Inline	<b>B551BB553C</b> <b>B551BB549C</b>
	3/8"	1.1 Cv	120VAC 24VDC	B5 Inline	<b>B552BB553C</b> <b>B552BB549C</b>
	3/8"	2.1 Cv	120VAC 24VDC	B6 Inline	<b>B652BB553A</b> <b>B652BB549A</b>
	1/2"	5.7 Cv	120VAC 24VDC	B7 Inline	<b>B753BB553A</b> <b>B753BB549A</b>
	3/4"	6.6 Cv	120VAC 24VDC	B8 Inline	<b>B854BB553A</b> <b>B854BB549A</b>
	Less base	0.50 Cv	120VAC 24VDC	B3 Subbase	<b>B35VBB553C</b> <b>B35VBB549C</b>

B5 shown, 3-Pin DIN 43650C electrical connection. Non-locking flush override.

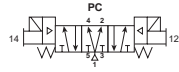
**Double Solenoid, 4-way, 3-position, CE**



Symbol	Port size	Cv	Voltage	Valve type	Part number
	1/8"	0.60 Cv	120VAC 24VDC	B3 Inline	<b>B360BB553C</b> <b>B360BB549C</b>
	1/4"	1.1 Cv	120VAC 24VDC	B5 Inline	<b>B561BB553C</b> <b>B561BB549C</b>
	3/8"	1.1 Cv	120VAC 24VDC	B5 Inline	<b>B562BB553C</b> <b>B562BB549C</b>
	3/8"	2.1 Cv	120VAC 24VDC	B6 Inline	<b>B662BB553A</b> <b>B662BB549A</b>
	1/2"	5.7 Cv	120VAC 24VDC	B7 Inline	<b>B763BB553A</b> <b>B763BB549A</b>
	3/4"	6.6 Cv	120VAC 24VDC	B8 Inline	<b>B864BB553A</b> <b>B864BB549A</b>
	Less base	0.50 Cv	120VAC 24VDC	B3 Subbase	<b>B36VBB553C</b> <b>B36VBB549C</b>

B5 shown, 3-Pin DIN 43650C electrical connection. Non-locking flush override.

**Double Solenoid, 4-way, 3-position, PC**



Symbol	Port size	Cv	Voltage	Valve type	Part number
	1/8"	0.60 Cv	120VAC 24VDC	B3 Inline	<b>B370BB553C</b> <b>B370BB549C</b>
	1/4"	1.1 Cv	120VAC 24VDC	B5 Inline	<b>B571BB553C</b> <b>B571BB549C</b>
	3/8"	1.1 Cv	120VAC 24VDC	B5 Inline	<b>B572BB553C</b> <b>B572BB549C</b>
	3/8"	2.1 Cv	120VAC 24VDC	B6 Inline	<b>B672BB553A</b> <b>B672BB549A</b>
	1/2"	5.7 Cv	120VAC 24VDC	B7 Inline	<b>B773BB553A</b> <b>B773BB549A</b>
	3/4"	6.6 Cv	120VAC 24VDC	B8 Inline	<b>B874BB553A</b> <b>B874BB549A</b>
	Less base	0.50 Cv	120VAC 24VDC	B3 Subbase	<b>B37VBB553C</b> <b>B37VBB549C</b>

B5 shown, 3-Pin DIN 43650C electrical connection. Non-locking flush override.

ANSI / (NFPA) T3.21.3-1990 standard for Cv measurement.

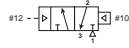
   Most popular.



For inventory, lead time, and kit lookup, visit [www.pdnplu.com](http://www.pdnplu.com)



**Single Remote Pilot, 3-way, 2-position, NC**



B3 Shown, M5 remote pilot ports

Symbol	Port size	Cv	Valve type	Part number
	1/8"	0.75 Cv	B3 Inline, remote pilot	<b>B3K000XXC</b>
	1/4"	1.4 Cv	B5 Inline, remote pilot	<b>B5K1000XXC</b>
	3/8"	1.4 Cv	B5 Inline, remote pilot	<b>B5K2000XXC</b>
	3/8"	2.7 Cv	B6 Inline, remote pilot	<b>B6X2000XXA</b>
	1/2"	5.9 Cv	B7 Inline, remote pilot	<b>B7X3000XXA</b>
	3/4"	7.0 Cv	B8 Inline, remote pilot	<b>B8X4000XXA</b>

**Single Remote Pilot, 4-way, 2-position**



B5 Shown, M5 remote pilot ports

Symbol	Port size	Cv	Valve type	Part number
	1/8"	0.75 Cv	B3 Inline, remote pilot	<b>B330000XXC</b>
	1/4"	1.4 Cv	B5 Inline, remote pilot	<b>B531000XXC</b>
	3/8"	1.4 Cv	B5 Inline, remote pilot	<b>B532000XXC</b>
	3/8"	2.7 Cv	B6 Inline, remote pilot	<b>B632000XXA</b>
	1/2"	5.9 Cv	B7 Inline, remote pilot	<b>B733000XXA</b>
	3/4"	7.0 Cv	B8 Inline, remote pilot	<b>B834000XXA</b>
	Less base	0.65 Cv	B3 Subbase, remote pilot	<b>B33V000XXC</b>

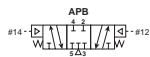
**Double Remote Pilot, 4-way, 2-position**



B5 Shown, M5 remote pilot ports

Symbol	Port size	Cv	Valve type	Part number
	1/8"	0.75 Cv	B3 Inline, remote pilot	<b>B340000XXC</b>
	1/4"	1.4 Cv	B5 Inline, remote pilot	<b>B541000XXC</b>
	3/8"	1.4 Cv	B5 Inline, remote pilot	<b>B542000XXC</b>
	3/8"	2.7 Cv	B6 Inline, remote pilot	<b>B642000XXA</b>
	1/2"	5.9 Cv	B7 Inline, remote pilot	<b>B743000XXA</b>
	3/4"	7.0 Cv	B8 Inline, remote pilot	<b>B844000XXA</b>
	Less base	0.65 Cv	B3 Subbase, remote pilot	<b>B34V000XXC</b>

**Double Remote Pilot, 4-way, 3-position, APB**



B5 Shown, M5 remote pilot ports

Symbol	Port size	Cv	Valve type	Part number
	1/8"	0.60 Cv	B3 Inline, remote pilot	<b>B380000XXC</b>
	1/4"	1.1 Cv	B5 Inline, remote pilot	<b>B581000XXC</b>
	3/8"	1.1 Cv	B5 Inline, remote pilot	<b>B582000XXC</b>
	3/8"	2.1 Cv	B6 Inline, remote pilot	<b>B682000XXA</b>
	1/2"	5.7 Cv	B7 Inline, remote pilot	<b>B783000XXA</b>
	3/4"	6.6 Cv	B8 Inline, remote pilot	<b>B884000XXA</b>
	Less Base	0.50 Cv	B3 Subbase, remote pilot	<b>B38V000XXC</b>

ANSI / (NFPA) T3.21.3-1990 standard for Cv measurement.

Most popular.



For inventory, lead times, and kit lookup, visit [www.pdnplu.com](http://www.pdnplu.com)

**B3 Series**

**B3 1 0 B B 5 49 - C**

Basic series	
B3 series	B3

Engineering level	
C	Current
CL	CSA Current

Operator Function	
3-way	
Single solenoid, 2-position NC - air return	G
Single solenoid, 2-position NO - air return	H
Double solenoid, 2-position	J
Single remote pilot, 2-position NC - air return	K
Single remote pilot, 2-position NO - air return	L
Double remote pilot, 2-position	M
Single solenoid, 2-position NC - air return / spring assist	V
Single solenoid, 2-position NO - air return / spring assist	W
Single remote pilot, 2-position NC - air return / spring assist	X
Single remote pilot, 2-position NO - air return / spring assist	Y
4-way	
Single solenoid, 2-position - air return	1
Double solenoid, 2-position	2
Single remote pilot, 2-position - air return	3
Double remote pilot, 2-position	4
Double solenoid, 3-position - APB	5
Double solenoid, 3-position - CE	6
Double solenoid, 3-position - PC	7
Double remote pilot, 3-position - APB	8
Double remote pilot, 3-position - CE	9
Double remote pilot, 3-position - PC	0
Single solenoid, 2-position - air return / spring assist	E
Single remote pilot, 2-position - air return / spring assist	F

Options	
Blank	None
02	Solenoid rotated 180° - pins down

	Voltage <sup>§</sup>		
	AC		DC
	60Hz	50Hz	
42	24	22	
45			12
49			24
53	120	110	
57	240	230	
XX	Remote pilot - M5 or valve less 15mm solenoid		
YY	Remote pilot - 5/32" (4mm) tube		

Enclosure / lead length	
0	None, remote pilot valve
5	15mm 3-pin DIN 43650C (male only)
X	Valve less 15mm solenoid

Overrides <sup>§</sup>	
0	None, remote pilot valve
B	Flush - non-locking
C	Flush - locking
D	Extended - non-locking
E	Extended - locking
X	Valve less 15mm solenoid

Port size / thread type	
3-way	
1/8" NPT inline	0*
1/8" BSPP "G" inline	5*
4-way	
1/8" NPT inline	0*
1/8" BSPP "G" inline	5*
1/4" NPT subbase	H†
1/8" NPT face mount	T**
Subbase valve less base	V‡

\* Available for use on IEM Manifolds.  
 \*\* 4-way only.  
 † Subbase valves available for 4-way valves only, included base.

Pilot source / pilot exhaust	
0	None, remote pilot valve
B†	Internal - port #1 / vented
E*	Dual pressure - port #3 / vented
K†	External - body / tapped M5
X†	External - manifold / vented

\* Not available for 3-way Valves.  
 † Not available for Remote Pilot Valves.  
 ‡ See Pilot Source Note below.

§ Enclosure '5'  
 - Override / Voltage Availability

S - Standard  
 O - Option

Voltage code	Override code			
	B	C	D	E
42	O	O	-	-
45	O	O	-	-
49	S	S	O	O
53	S	S	O	O
57	O	O	-	-
Voltage code	"02" Option			
	B	C	D	E
42	O	O	-	-
45	O	O	-	-
49	S	S	O	O
53	S	S	O	O
57	O	O	-	-

C	Inline Valves
	Viking Lite
	Viking Extreme
"B"	Series
Air Saver	Unit
ADEX	Series
"N"	Series

**Pilot Source 'X'**  
 External-Manifold / Vented

**INLINE & SUBBASE Valves -**  
 Only used IF an IEM or 5-Ported Subbase Aluminum Bar Manifold requires a common external pilot signal through the manifold for low pressure / vacuum applications OR when used with Sandwich Regulators.

Most popular.



For inventory, lead time, and kit lookup, visit [www.pdnplu.com](http://www.pdnplu.com)

**B5 Series**

**B5 1 1 B B 5 49 - C**

Basic series	
B5 series	B5

Engineering level	
C	Current
CL	CSA Current

Operator function	
3-way	
Single solenoid, 2-position NC - air return	G
Single solenoid, 2-position NO - air return	H
Double solenoid, 2-position	J
Single remote pilot, 2-position NC - air return	K*
Single remote pilot, 2-position NO - air return	L*
Double remote pilot, 2-position	M*
Single solenoid, 2-position NC - air return / spring assist	V
Single solenoid, 2-position NO - air return / spring assist	W
Single remote pilot, 2-position NC - air return / spring assist	X*
Single remote pilot, 2-position NO - air return / spring assist	Y*
4-way	
Single solenoid, 2-position - air return	1
Double solenoid, 2-position	2
Single remote pilot, 2-position - air return	3*
Double remote pilot, 2-position	4*
Double solenoid, 3-position - APB	5
Double solenoid, 3-position - CE	6
Double solenoid, 3-position - PC	7
Double remote pilot, 3-position - APB	8*
Double remote pilot, 3-position - CE	9*
Double remote pilot, 3-position - PC	0*
Single solenoid, 2-position - air return / spring assist	E
Single remote pilot, 2-position - air return / spring assist	F*

Options	
Blank	None
02	Solenoid rotated 180° - pins down
MD††	Manual detent

†† Only available with operator function 1 & 3 and Enclosure "N", "X" or mobile voltages upon request.

Voltage §			
	AC		DC
	60Hz	50Hz	
42	24	22	
45			12
49			24
53	120	110	
57	240	230	
XX	Remote pilot - M5 or valve less solenoid		
YY	Remote pilot - 5/32" (4mm) tube		

Enclosure / lead length	
0	None, remote pilot valve
5	15mm 3-pin DIN 43650C (male only)
A	30mm square 3-pin - ISO 4400 form A (male only)
B	22mm rectangular 3-pin - type B industrial (male only)
C	3-pin automotive - mini
D	5-pin automotive - mini
E*	Intrinsically safe - 30mm 3-pin
F**	Hazardous duty 1/2" NPT conduit - 18" leads
G	Grommet - 18" leads
H	1/2" NPT conduit - 18" leads
N	Valve less "A - R" coil
Q†	Grommet - 72" leads
R	1/2" NPT conduit - 72" leads
X	Valve less 15mm solenoid

\* 24 VDC & override "A" only.  
 \*\* 12 VDC, 24 VDC, 120 VAC or 240 VAC.  
 † 24 VDC only.

Port Size / Thread Type	
3-way	
1/4" NPT inline	1*
3/8" NPT inline	2*
1/4" BSPP "G" inline	6*
3/8" BSPP "G" inline	7*
4-way	
1/4" NPT inline	1*
3/8" NPT inline	2*
1/4" BSPP "G" inline	6*
3/8" BSPP "G" inline	7*
3/8" NPT subbase	J†
1/4" NPT NAMUR mount	T††
Subbase valve less base	V‡
1/4" BSPP "G" NAMUR mount	W††

Pilot Source / Pilot Exhaust	
Enclosures "0, 5 & X"	
None, remote pilot valve	0
Internal - port #1 / vented	B†
Dual pressure - port #3 / vented	E*
External - body / tapped M5	K†
External - manifold / vented	X†
Enclosures "A, B, C, D, E, F, G, H, N, Q & R"	
Internal - port #1 / tapped M5	A†
Internal - port #1 / vented	B†
Dual pressure - port #3 / tapped M5	D*†
External - body / tapped 1/8"	K†

\* Not available for 3-way valves.  
 † Not available for remote pilot valves.  
 ‡ See pilot source note below.

Overrides §	
None. Remote pilot valve	0
No override	A†
Flush - non-locking	B*
Flush - locking	C
Extended - non-locking	D
Extended - locking	E*
Valve less 15mm solenoid	X

\* Only available with encl. "5".  
 † Only available with encl. "E".

\* Available for use on IEM manifolds.  
 † 4-way only includes base.  
 ‡ Available with pilot source "0", "A", and "B" only.

**Pilot Source 'X'**  
 External-Manifold / Vented or Tapped M5

**INLINE & SUBBASE Valves -**  
 Only used IF an IEM Aluminum Bar Manifold requires a common external pilot signal through the manifold for low pressure / vacuum applications.

§ Enclosure '5' - Override / Voltage Availability  
 S - Standard  
 O - Option

Voltage code	Override code Standard				Voltage code	Override code "02" Option			
	B	C	D	E		B	C	D	E
42	O	O	-	-	42	O	O	-	-
45	O	O	-	-	45	O	O	-	-
49	S	S	O	O	49	S	S	O	O
53	S	S	O	O	53	S	S	O	O
57	O	O	-	-	57	O	O	-	-

Most popular.



For inventory, lead times, and kit lookup, visit [www.pdnplu.com](http://www.pdnplu.com)

**B6 Series**

**B6 1 2 B B 5 49 - A**

Basic series	
B6 series	B6

Engineering level	
A	Current
AL	CSA Current

Operator function	
3-way	
Single solenoid, 2-position NC - air return / spring assist	V
Single solenoid, 2-position NO - air return / spring assist	W
Single remote pilot, 2-position NC - air return / spring assist	X
Single remote pilot, 2-position NO - air return / spring assist	Y
4-way	
Single solenoid, 2-position - air return	1
Double solenoid, 2-position	2
Single remote pilot, 2-position - air return	3
Double remote pilot, 2-position	4
Double solenoid, 3-position - APB	5
Double solenoid, 3-position - CE	6
Double solenoid, 3-position - PC	7
Double remote pilot, 3-position - APB	8
Double remote pilot, 3-position - CE	9
Double remote pilot, 3-position - PC	0
Single solenoid, 2-position - air return / spring assist	E
Single remote pilot, 2-position - air return / spring assist	F

Options	
Blank	None
02	Solenoid rotated 180° - pins down

Voltage §			
	AC		DC
	60Hz	50Hz	
42	24	22	
45			12
49			24
53	120	110	
57	240	230	
XX	Remote pilot - M5 or valve less 15mm solenoid		
YY	Remote pilot - 5/32" (4mm) tube		

Port size / thread type	
3-way / 4-way	
3/8" NPT inline	2*
3/8" BSPP "G" inline	7*
3/8" NPT NAMUR mount	T†

\* Available for use on IEM manifolds.  
 † 4-way only. Available with pilot source "0", "A" and "B" only.

Pilot source / pilot exhaust	
Enclosures "0, 5 & X"	
None. Remote pilot valve	0
Internal - Port #1 / vented	B†
Dual pressure - port #5 / vented	H*
External - Body / tapped M5	K†
Enclosures "A, B, C, D, E, F, G, H, N, Q & R"	
Internal - Port #1 / tapped M5	A†
Internal - Port #1 / vented	B†
External - Body / tapped 1/8"	K†

\* Not available for 3-way valves.  
 † Not available for remote pilot valves.

Overrides§	
None, remote pilot valve	0
No override	A†
Flush - non-locking	B*
Flush - locking	C
Extended - non-locking	D
Extended - locking	E*
Valve less 15mm solenoid	X

\* Only available with enclosure "5".  
 † Only available with enclosure "E".

Enclosure / lead length	
0	None, remote pilot valve
5	15mm 3-pin DIN 43650C (male only)
A	30mm square 3-pin - ISO 4400 form A (male only)
B	22mm rectangular 3-pin - Type B industrial (male only)
E*	Intrinsically safe - 30mm 3-pin
F**	Hazardous duty 1/2" NPT conduit - 18" leads
G	Grommet - 18" leads
H	1/2" NPT conduit - 18" leads
N	Valve less "A - R" coil
Q	Grommet - 72" leads
R	1/2" NPT conduit - 72" leads
X	Valve less 15mm solenoid

\* 24 VDC & override "A" only.  
 \*\* 12 VDC, 24 VDC, 120 VAC or 240 VAC.  
 † 24 VDC only.

§ Enclosure '5' - Override / Voltage Availability  
 S - Standard  
 O - Option

Voltage code	Override code				Voltage code	Override code			
	B	C	D	E		B	C	D	E
42	O	O	-	-	42	O	O	-	-
45	O	O	-	-	45	O	O	-	-
49	S	S	O	O	49	S	S	O	O
53	S	S	O	O	53	S	S	O	O
57	O	O	-	-	57	O	O	-	-

**INLINE Valves -**  
 Only used IF an IEM Aluminum Bar Manifold requires a common external pilot signal through the manifold for low pressure / vacuum applications.

Most popular.



For inventory, lead time, and kit lookup, visit [www.pdnplu.com](http://www.pdnplu.com)

**C**

Inline Valves

Viking Lite

Viking Extreme

"B" Series

Air Saver Unit

ADEX Series

"N" Series

**B7 & B8 Series**

**B7 1 3 A B G 53 - A**

Basic series	
B7 series	B7
B8 series	B8

Engineering level	
A	Current
AL	CSA Current

Options	
Blank	None

Operator function	
<b>3-way</b>	
Single solenoid, 2-position NC - air return / spring assist	V
Single solenoid, 2-position NO - air return / spring assist	W
Single remote pilot, 2-position NC - air return / spring assist	X
Single remote pilot, 2-position NO - air return / spring assist	Y
<b>4-way</b>	
Single solenoid, 2-position - air return	1
Double solenoid, 2-position	2
Single remote pilot, 2-position - air return	3
Double remote pilot, 2-position	4
Double solenoid, 3-position - APB	5
Double solenoid, 3-position - CE	6
Double solenoid, 3-position - PC	7
Double remote pilot, 3-position - APB	8
Double remote pilot, 3-position - CE	9
Double remote pilot, 3-position - PC	0
Single solenoid, 2-position - air return / spring assist	E
Single remote pilot, 2-position - air return / spring assist	F

	AC		DC
	60Hz	50Hz	
42	24	22	
45			12
49			24
53	120	110	
57	240	230	
XX	Remote pilot - M5 or valve less solenoid		
YY	Remote pilot - 5/32" (4mm) tube		

Enclosure / lead length	
0	None, remote pilot valve
5	15mm 3-pin DIN 43650C (male only)
A	30mm square 3-pin - ISO 4400 form A (male only)
B	22mm rectangular 3-pin - Type B industrial (male only)
E*	Intrinsically safe - 30mm 3-pin
F**	Hazardous duty 1/2" NPT conduit - 18" leads
G	Grommet - 18" leads
H	1/2" NPT conduit - 18" leads
N	Valve less "A - R" coil
R	1/2" NPT conduit - 72" leads
X	Valve less 15mm solenoid

Port size / thread type	
<b>B7 series</b>	
1/2" NPT inline	3*
1/2" BSPP "G" inline	8*
<b>B8 series</b>	
3/4" NPT inline	4*
3/4" BSPP "G" inline	9*

\* Available for use on IEM manifolds.

Pilot source / pilot exhaust	
<b>Enclosures "0, 5 &amp; X"</b>	
None. Remote pilot valve	0
Internal - Port #1 / vented	B†
External - Body / tapped M5	K†
<b>Enclosures "A, B, C, D, E, F, G, H, N, Q &amp; R"</b>	
Internal - Port #1 / tapped M5	A†
Internal - Port #1 / vented	B†
External - Body / tapped 1/8"	K†

† Not available for remote pilot valves.

Overrides§	
None, remote pilot valve	0
No override	A†
Flush - non-locking	B*
Flush - locking	C
Extended - non-locking	D
Extended - locking	E*
Valve less 15mm solenoid	X

\* Only available with encl. "5".

† Only available with encl. "E".

\* 24 VDC & Override "A" only.

\*\* 12 VDC, 24 VDC, 120 VAC or 240 VAC.

§ Enclosure "5" - Override / Voltage Availability

S - Standard

O - Option

Voltage code	Override code			
	B	C	D	E
42	O	O	-	-
45	O	O	-	-
49	S	S	O	O
53	S	S	O	O
57	O	O	-	-

**C**  
 Inline Valves  
 Viking Lite  
 Viking Extreme  
 "B" Series  
 Air Saver Unit  
 ADEX Series  
 "N" Series

**INLINE Valves -**  
 Only used IF an IEM Aluminum Bar Manifold requires a common external pilot signal through the manifold for low pressure / vacuum applications.

Most popular.



For inventory, lead times, and kit lookup, visit [www.pdnplu.com](http://www.pdnplu.com)

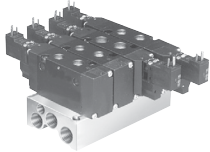
**IEM Bar Manifold, Inline Valves Only**



Valve series	Valve function	## – Stations	Manifold only (NPT)	Manifold only (BSPP)
B3	3-way	02 to 12	PSG3BXN##NP	PSG3BXG##NP
B3	4-way	02 to 12	PSM3BXN##NP	PSM3BXG##NP
B5	3-way	02 to 12	PSG5BXN##NP	PSG5BXG##NP
B5	4-way	02 to 12	PSM5BXN##NP	PSM5BXG##NP
B6	3-way	02 to 12	PSG6BXN##NP	PSG6BXG##NP
B6	4-way	02 to 12	PSM6BXN##NP	PSM6BXG##NP
B7, B8	4-way	02 to 12	PSM7BXN##NP	PSM7BXG##NP

Kits include: (1) manifold, valve hold down bolts, gaskets. For external pilot valve option "X", external manifold galley must be pressurized.

**IEM Bar Manifold Add-A-Fold Assembly**



Valve series	Valve function	## – Stations	Manifold assembly (NPT)	Manifold assembly (BSPP)
B3	3-way, 1/4	02 to 12	AAPSG3BXN##NP	AAPSG3BXG##NP
B3	4-way, 1/4	02 to 12	AAPSM3BXN##NP	AAPSM3BXG##NP
B5	3-way, 3/8	02 to 12	AAPSG5BXN##NP	AAPSG5BXG##NP
B5	4-way, 3/8	02 to 12	AAPSM5BXN##NP	AAPSM5BXG##NP
B6	3-way, 1/2	02 to 12	AAPSG6BXN##NP	AAPSG6BXG##NP
B6	4-way, 1/2	02 to 12	AAPSM6BXN##NP	AAPSM6BXG##NP
B7, B8	4-way, 1/2	02 to 12	AAPSM7BXN##NP	AAPSM7BXG##NP

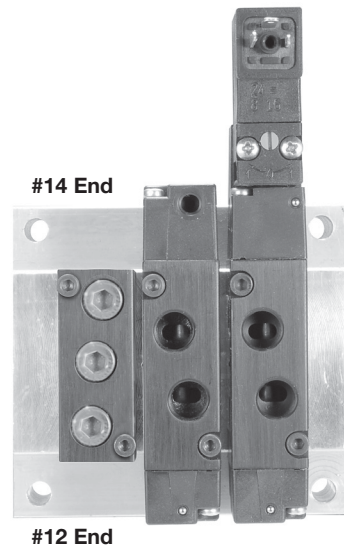
Kits include: (1) manifold, valve hold down bolts, gaskets and assembly. For external pilot valve option "X", external manifold galley must be pressurized.

**How to Order:**

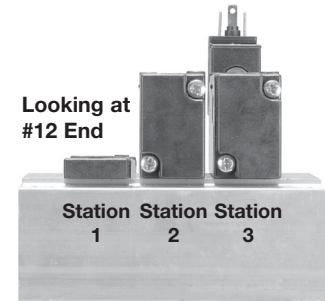
1. List Add-A-Fold Assembly Part Number as line item 1
2. List the desired valves series part number in subsequent line items after the Add-A-Fold Assembly part number to complete the ordering code. Include all valves and blanking kits required. The left most station is station # 1 looking at the #12 end of the manifold.

**Example:** B3, 4-way manifold with station #1 blanked off with valves assembled

Line	Qty	Part number	Comment
1	1	AAPSM3BXN03NP	Add-A-Fold Assembly
2	1	PS2920P	Blank Plate - station 1
3	1	B3100BB549C	4-way B3 - station 2
4	1	B330000XXC	4-way B3 - station 3



#12 End



Looking at #12 End

Station Station Station  
1 2 3

Most popular.



For inventory, lead time, and kit lookup, visit [www.pdnplu.com](http://www.pdnplu.com)



**B3 Subbase Side Ported Manifold, Subbase Valves Only**

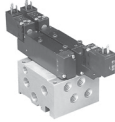


Valve series	Valve function	## – Stations	Manifold only (NPT)	Manifold only (BSPP)
B3	4-way	02 to 12	<b>PSJ3B1N##NP</b>	<b>PSJ3B1G##NP</b>

Kits include: (1) manifold, valve hold down bolts, gaskets. For external pilot valve option "X", external manifold galley must be pressurized. Replace ## with number of valve stations.

35mm DIN Rail Mount

**B3 Subbase Side Ported Manifold Add-A-Fold Assembly**



Valve series	Valve function	## – Stations	Manifold assembly (NPT)	Manifold assembly (BSPP)
B3	4-way	02 to 12	<b>AAPSJ3B1N##NP</b>	<b>AAPSJ3B1G##NP</b>

Kits include: (1) manifold, valve hold down bolts, gaskets and assembly. For external pilot valve option "X", external manifold galley must be pressurized.

- Utilizes Subbase mount B3 valves.
- Available for 4-Way valves. If 3-way function is required, plug a cylinder port.
- Common External Pilot galley is standard.
- Standard Internal Pilot valves need not use this galley, and the galley does not need to be plugged.
- External Pilot Valves – "X", must have Common External Galley pressurized.

**IEM Stackable Manifolds**

- Individual Manifold Bases stack together to form lightweight custom length manifold system.
- Easy-to-connect male / female tie rods for modular assembly.
- Utilizes B3 and B5 4-way Inline Valves.
- Low-cost built-in Flow Controls with heavy-duty brass adjusting needles to control meter-out exhaust flow.
- Accessories include Isolator Plugs for pressure isolation and Universal Blanking Plates for auxiliary inlet and exhaust supply and future valve additions.

Series	Type	Kit number	
		Standard	Flow control
B3	4-way	<b>PS2917P</b>	<b>PS2918P</b>
B5	4-way	<b>PS2817P</b>	<b>PS2818P</b>

Kit includes: (1) manifold base, (2) hold-down bolts, tie-rods, gaskets and o-rings.

**Isolator Plugs**

Series	Description	Kit number
B3	4-way, IEM stackable	<b>PS2919P</b>
B5	4-way, IEM stackable	<b>PS2819P</b>

Used to isolate the #1, #3 or #5 gallery between two manifold bases. (IEM stackable only)

Kit includes: (3) plugs and (6) o-rings

**End Plate Kits**

Series	Type	Port Type	Kit number
B3	4-way, NPT	1/8	<b>PS2915P</b>
B5	4-way, NPT	1/4	<b>PS2815P*</b>

Kit includes: right and left end plate, o-rings, socket head cap screws, flat washers and lockwashers.

\* B5 4-Way use the same kit

Most popular.

**Single Subbase (subbase valves only)**

Series	Type	Kit number
B3	4-way, 1/4" NPT	<b>PS2934P</b>
B5	4-way, 3/8" NPT	<b>PS2834P</b>

Kit includes: (1) subbase. (Hold down bolts & gasket are included with valve.)

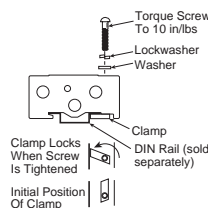
**Blanking Plate**

	IEM universal	IEM		Subbase	
		NPT	BSPP "G"	Blank	Blank
B3	3-way	<b>PS2966P</b>	<b>PS2967P</b>	<b>PS2968P</b>	—
	4-way	<b>PS2920P</b>	<b>PS2921P</b>	<b>PS2969P</b>	<b>PS2994P</b>
B5	3-way	<b>PS2866P</b>	<b>PS2867P</b>	<b>PS2868P</b>	—
	4-way	<b>PS2820P</b>	—	<b>PS2869P</b>	—
B6	3-way	<b>PS2620P</b>	—	—	—
	4-way	—	—	—	—
B7-B8	4-way	<b>PS2520P</b>	—	<b>PS2569P</b>	—

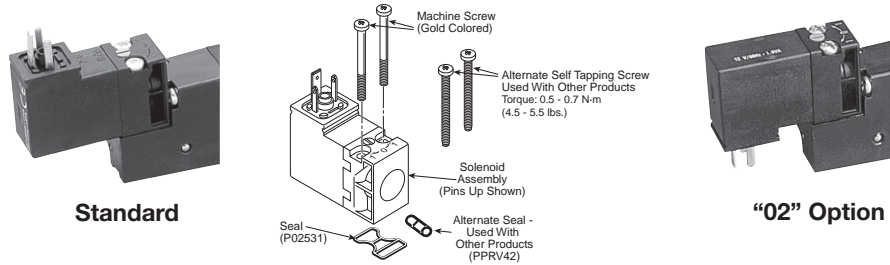
Kit includes: (1) plate, (2) screws, seal / gaskets

**DIN Rail Hardware Kit**

Valve type	IEM bar	Part number
B3	(2) Screws, (2) Nuts, (2) Clamps	<b>PS2991P</b>



**Solenoid Kits – B3 ‘C’, B5 ‘C’, B6 ‘A’, B7 ‘A’, B8 ‘A’ 3-Pin, EN175301-803 (Former DIN 43650C), 15mm**



**PS2982\*##P – Enclosure ‘5’**

Override *	## Voltage						
	42	45	47†	48†	49	53	57
B	O	O	-	-	S	S	O
C	O	O	-	-	S	S	O
D	-	-	O	O	O	O	-
E	-	-	O	O	O	O	-

S - Standard; O - Option

† Mobile voltage

Kit includes: Solenoid, (2) machine screws, (2) self threading screws, (1) gasket, (1) 3-cell gasket.

**PS3541\*##P – Enclosure ‘5 with “02” Option**

Override *	## Voltage				
	42	45	49	53	57
B	O	O	S	S	O
C	O	O	S	S	O
D	-	-	O	O	-
E	-	-	O	O	-

**Solenoid Kits Alternate Enclosures**

**P2FC A 4 49**

Enclosures / lead length	
30mm square 3-pin – ISO 4400 form A (male only)	A
22mm rectangular 3-pin – type B industrial (male only)	B
Hazardous duty, FM / CSA	F*
Grommet - 18" leads	G
1/2" NPT conduit - 18" leads	H
Grommet 72" leads	Q
1/2" Conduit 72" leads	R

Voltage / frequency	
42	24VAC
45	12VDC
47*	12 VDC mobile
48*	24 VDC mobile
49	24VDC
53	120VAC
57	240VAC

\* Only available with enclosures "A", "B" & "G".

\* Only available with voltage codes "45", "49", "53" & "57".



**Option A & E**  
 30mm Square  
 3-pin ISO 4400, DIN 43650A



**Option B**  
 22mm Rectangular  
 3-pin DIN, Type B Industrial



**Option G & Q**  
 Grommet, 18" or 72" Leads

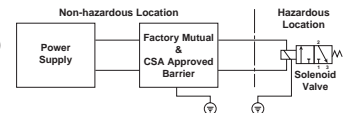


**Option F, H & R**  
 1/2" Conduit, 18" or 72" Leads

  Most popular.

**Intrinsically Safe Solenoid Valves (“E” Option)**

**Hazardous Location Class:**  
**Class I; Groups A, B, C & D**  
**Class II; Groups E, F, & G**  
**Class III; Div. I**



For use in low voltage (24VDC) Intrinsically Safe applications. **NO OTHER VOLTAGE IS APPROVED. 1.6W coil.**

36mm coil width.

Comes standard with non-lighted solenoid connector.

**Must be connected to an FM approved Barrier.**

For dimensions, reference standard solenoid models.

Maximum internally piloted valve pressure is 115 PSIG.

Pressures to 145 PSIG can be used when external pilot is utilized and pilot pressure is limited to 115 PSIG.

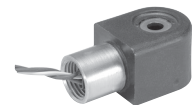
**Intrinsically Safe Solenoid Pilot Assembly Kits**

Description	Part number
24VDC	<b>P2FS13N1AE49</b>

Kit includes: coil, armature, connector, o-ring and screws.

**Hazardous Duty Solenoid Valves (“F” Option)**

**Hazardous Location Class:**  
**Class I; Zone I EX, M, II & T4**  
**Class I; Div. I. Groups A, B, C, & D**  
**Class II & III; Div. I. Groups E, F, & G**



Comes standard with 1/2" conduit connection.

Voltage range = ± 10%, 4.6W

Ambient temperature range = -20°C (-4°F) to 60°C (140°F)

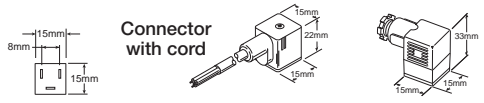
Duty factor = 100%

IP65 rated (with connected conduit connector)

Notes:

1. Maximum non-hazardous location voltage not to exceed 250V RMS.
2. Factory Mutual requires connections per ISA RP 12.6 instructions.
3. CSA requires "Installation to be in accordance with the Canadian Electrical Code. Part I."
4. The hazardous duty coils are wider in size than both the B5 and the B6 valve. If mounted on a manifold, the valves need to be staggered to fit.

### 15mm 3-Pin DIN 43650C, 8mm Pin Spacing

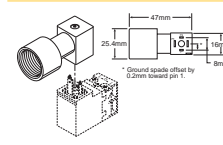


	Cord length	Connector	Connector with cord
Unlighted	18 Inches	<b>PS2932BP</b>	<b>PS2932HBP</b>
Unlighted	6 Feet	<b>PS2932BP</b>	<b>PS2932JBP</b>
Light – 12VAC or DC	6 Feet	<b>PS294675BP</b>	<b>PS2946J75BP*</b>
Light – 24VAC or DC	6 Feet	<b>PS294679BP</b>	<b>PS2946J79BP*</b>
Light – 110/120VAC	6 Feet	<b>PS294683BP</b>	<b>PS2946J83BP*</b>
Light – 240/230VAC		<b>PS294687BP</b>	N/A

\* LED with surge suppression.  
**Note:** Max ø6.5mm cable size required for connector w/o 6' (2m) cord.  
 IP65 rated when properly installed.

**Engineering data:**  
 Conductors: 2 poles plus ground, polarity insensitive  
 Cable range (connector only): 4 to 6mm (0.16 To 0.24 Inch)  
 Contact spacing: 8mm

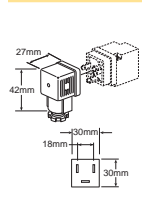
### 15mm 3-Pin DIN 43650C to 1/2" Conduit



Description	Connector
1/2" NPTF conduit – Unlighted with 3' (1m) leads 20 AWG wire	<b>PS2998P</b>

**Note:** Rated up to 250VAC or VDC; 6 amps  
 IP65 rated when properly installed.

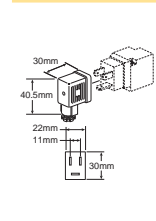
### 30mm Square 3-Pin – ISO 4400, DIN 43650A (Use with Enclosure "A")



Description	Connector with 6' (2m) cord	Connector
Unlighted	<b>PS2028JCP</b>	<b>PS2028BP</b>
Light – 6-48V, 50/60Hz, 6-48VDC	<b>PS2032J79CP*</b>	<b>PS203279BP</b>
Light – 120V/60Hz	<b>PS2032J83CP*</b>	<b>PS203283BP</b>
Light – 240V/60Hz	N/A	<b>PS203283BP</b>

\* LED with surge suppression.  
**Note:** Max ø6.5mm cable size required for connector w/o 6' (2m) cord. IP65 rated when properly installed.  
**Engineering data:**  
 Conductors: 2 poles plus ground; cable range (connector only): 8 to 10mm (0.31 To 0.39 Inch); contact spacing: 18mm

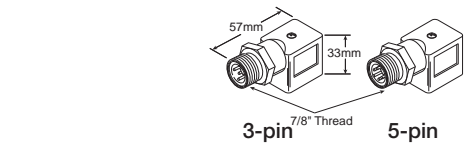
### 22mm Rectangular 3-Pin – Type B Industrial (Use with Enclosure "B")



Description	Connector with 6' (2m) cord	Connector
Unlighted	<b>PS2429JBP</b>	<b>PS2429BP</b>
Light – 24V60Hz, 24VDC	<b>PS2430J79BP*</b>	<b>PS243079BP</b>
Light – 120V/60Hz	<b>PS2430J83BP*</b>	<b>PS243083BP</b>
Light – 240V/60Hz	N/A	<b>PS243087BP</b>

\* LED with surge suppression.  
**Note:** Max ø6.5mm cable size required for connector w/o 6' (2m) cord. IP65 rated when properly installed.  
**Engineering Data:**  
 Conductors: 2 Poles Plus Ground; Cable Range (Connector Only): 6 to 8mm (0.24 to 0.31 Inch); Contact Spacing: 11mm

### 3-Pin / 5-Pin Male Automotive Connectors (Use on 22mm Rectangular 3-Pin Solenoid)



Description	3-pin	5-pin
Unlighted	<b>PS2893CP</b>	<b>PS2893DP</b>
Lighted - Voltage	<b>PS2893C##P</b>	<b>PS2893D##P</b>

## — 79 = 6 to 48VAC/VDC  
 83 = 100 to 240VAC/48 to 120 VDC

C  
 Inline Valves  
 Viking Lite  
 Viking Extreme  
 Series "B"  
 Air Saver Unit  
 ADEX Series  
 "N" Series

 Most popular.



For inventory, lead times, and kit lookup, visit [www.pdnplu.com](http://www.pdnplu.com)

**Solenoid Information (Solenoids are rated for continuous duty.)**

Voltage						Voltage							
AC			Enclosure "5"			AC			Enclosure "A"				
Code	60Hz	50Hz	DC	Power Consumption	Holding (Amps)	Code	60Hz	50Hz	DC	Power Consumption	Holding (Amps)	Power Consumption	Holding (Amps)
42	24	22		1.6VA	.065	42	24	22		3.9VA	.136	7.3VA	.309
45			12	1.2W	.098	45			12	2.6W	.208	4.6W	.365
47*			12	0.91W	.074	47*			12	—	—	4.9W	.298
48*			24	0.91W	.033	48*			24	—	—	4.8W	.142
49			24	1.2W	.049	49			24	2.7W	.112	4.8W	.200
53	120	110		1.6W	.013	53	120	110		4.1VA	.033	6.3VA	.047
57	240	230		1.6W	.007	57	240	230		3.7VA	.017	6.4VA	.026

**Note:** For enclosure "5" with "02" Option, solenoid wattage is 1.8W (2.4VA). Response time is 10% faster. Voltage rated +10 / -15%.

\* 47 and 48 code are mobile voltages. voltage +25 / -30%.

**Response Time (Sec)**

Valve Size	Port Size	Enclosure "5"				Enclosure "A, B, C, D, G, H, Q & R"			
		0 Cu. In. Test Chamber		25* Cu. In. Test Chamber		0 Cu. In. Test Chamber		25* Cu. In. Test Chamber	
		Fill	Exhaust	Fill	Exhaust	Fill	Exhaust	Fill	Exhaust
<b>2-Position Single Solenoid / Internal Air Return</b>									
B3	1/8"	.024	.026	.149	.242	—	—	—	—
B5	1/4"	.038	.040	.106	.156	.025	.026	.090	.142
B5*	3/8"	.039	.041	.150	.245	.025	.027	.141	.241
B6*	3/8"	.037	.038	.096	.132	.016	.018	.084	.119
B7	1/2"	.073	.075	.195	.275	.049	.051	.167	.249
B8	3/4"	.072	.074	.166	.226	.049	.051	.142	.206
<b>2-Position Single Solenoid Spring / Air Return</b>									
B3	1/8"	.019	.022	.128	.217	—	—	—	—
B5	1/4"	.039	.041	.108	.162	.024	.026	.091	.143
B5*	3/8"	.040	.042	.169	.261	.024	.026	.143	.240
B6*	3/8"	.035	.036	.096	.133	.023	.024	.083	.120
B7	1/2"	.071	.074	.194	.275	.049	.051	.167	.249
B8	3/4"	.072	.074	.176	.239	.046	.048	.142	.204
<b>2-Position Double Solenoid</b>									
B3	1/8"	.013	.015	.122	.213	—	—	—	—
B5	1/4"	.016	.018	.082	.132	.012	.014	.077	.128
B5*	3/8"	.016	.018	.129	.222	.016	.018	.128	.225
B6*	3/8"	.016	.017	.074	.110	.012	.013	.071	.107
B7	1/2"	.026	.028	.145	.228	.022	.024	.138	.225
B8	3/4"	.026	.028	.123	.185	.022	.024	.115	.178
<b>3-Position Double Solenoid</b>									
B3	1/8"	.021	.023	.091	.141	—	—	—	—
B5	1/4"	.022	.023	.091	.141	.011	.011	.079	.135
B5*	3/8"	.022	.024	.135	.229	.016	.019	.135	.234
B6*	3/8"	.024	.026	.094	.139	.016	.018	.084	.132
B7	1/2"	.049	.051	.167	.257	.028	.030	.148	.238
B8	3/4"	.035	.037	.136	.206	.028	.030	.130	.195

**Average Fill Time (Seconds):** With 100 PSIG supply, time required to fill from 0-90 PSIG and exhaust from 100 PSIG to 10 PSIG is measured from instant of energizing, or de-energizing 120V/60Hz solenoid. Times shown are average.

\* For 3/8" ported, 50 cu. in. test chamber is used. For 1/2" & 3/4", a 200 cu. in. test chamber is used.

C

Inline Valves

Viking Lite

Viking Extreme

"B" Series

Air Saver Unit

ADEX Series

"N" Series



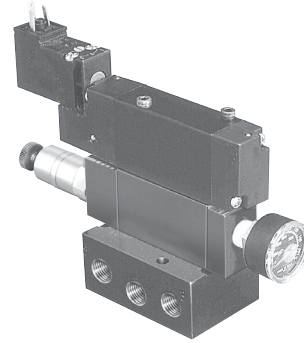
For inventory, lead time, and kit lookup, visit [www.pdnplu.com](http://www.pdnplu.com)

**Sandwich Regulators**

- Use with B3 subbase valves on 5-ported subbase bar manifolds.
- Common port or dual port regulation control.
- Unregulated pressure supplied to valve pilot - use pilot source - 'X'.
- Easy adjust knob control.

Pressure range	Cv	Common port with gauge *	Dual port without gauge
5-125 PSI	.33	<b>PS2930166P</b>	<b>PS2930233P</b>

\* Gauge is 160 PSI. Gauge shipped unassembled. For different gauge mounting configuration, use brass adapters listed at bottom of page.



**Brass Adapters for Gauge –**

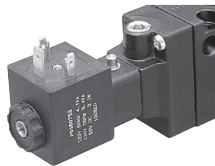
1/8" to 1/8" Female Coupling .....	207P-2	1/8" to 1/8" 45° Female Elbow .....	2201P-2-2
1/8" Male to Female Adapter .....	222P-2-2	1/8" to 1/8" 90° Female Elbow .....	2200P-2-2

**Gauge 1" Face –**

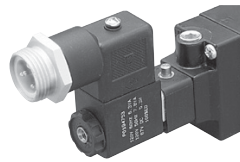
0-160 PSI ..... PS4051160BP

**Alternate Solenoid Enclosures**

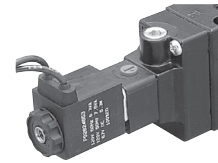
- Enclosure "A": 2.6W - 4.1VA (Coil rotates in 45° increments)
- Enclosure "B" - "R": 4.6W - 7.3VA (Coil rotates in 90° increments)



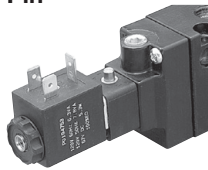
"A" 30mm 3-Pin



"C" 3-Pin Mini



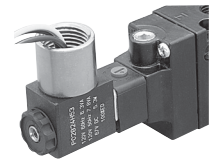
"G". "Q" Grommet



"B" 22mm 3-Pin



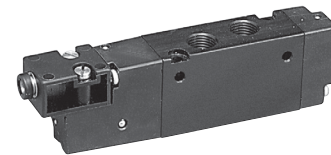
"D" 5-Pin Mini



"F". "H". "R" 1/2" Conduit

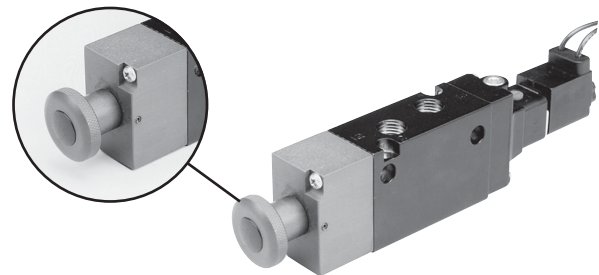
**Tube Fitting Remote Pilot**

- "YY" Option
- 5/32" (4mm) Tube Fitting



**B5 With Manual Detent**

- Positive mechanical contact of the override knob assures actuation of valve, however, knob does not move during normal cycling.
- Hard coated override to resist harsh environments.
- Override return spring is stainless steel, for harsh environments.
- Heavy duty locking mechanism to maintain position.
- Use in combination with mobile voltages or valve less solenoid.



Most popular.

C

Inline Valves

Viking Lite

Viking Extreme

"B" Series

Air Saver Unit

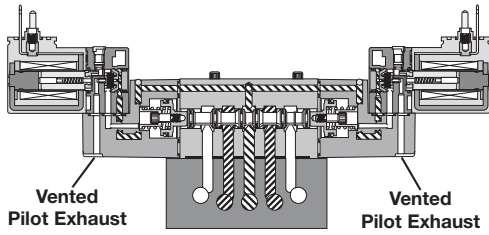
ADEX Series

"N" Series



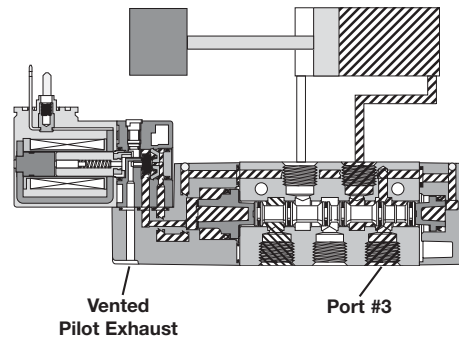
**Pilot Configuration**

**B - Internal - Port #1 / Vented (B3 Shown)**



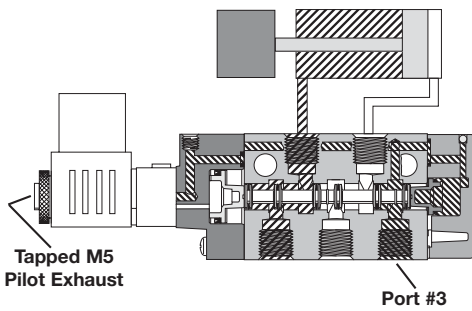
**E - Dual Pressure - Port #3 / Vented (B3 Shown)**

**H - Dual Pressure - Port #5 / Vented (Similar)**

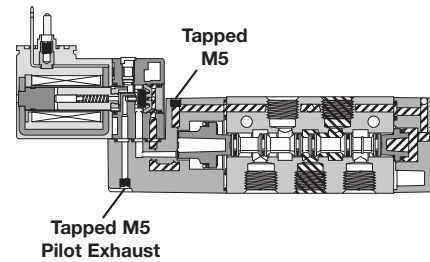


**D - Dual Pressure - Port #3 / Tapped M5 (B5 Shown)**

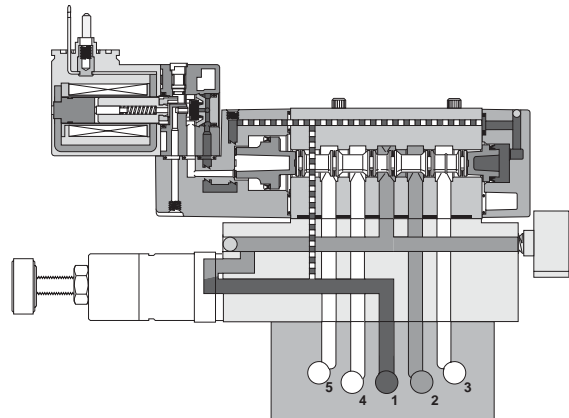
**G - Dual Pressure - Port #5 / Tapped M5 (Similar)**



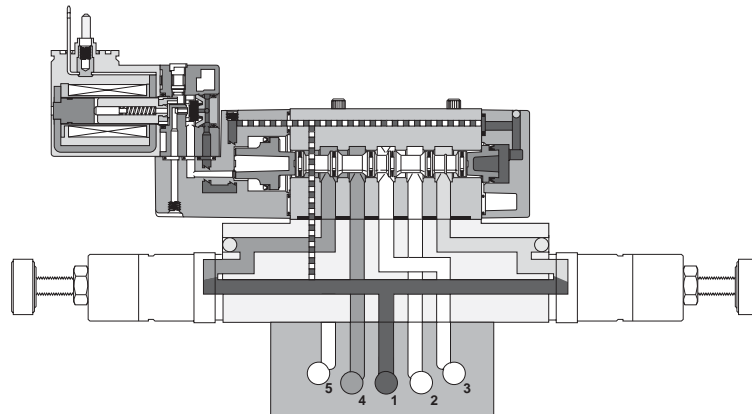
**K - External - Body / Tapped M5 (B3 Shown)**



**Common Port**



**Dual Port**



**C**

Inline Valves

Viking Lite

Viking Extreme

"B" Series

Air Saver Unit

ADEX Series

"N" Series



For inventory, lead time, and kit lookup, visit [www.pdnplu.com](http://www.pdnplu.com)

C55

**Parker Hannifin Corporation**  
 Pneumatic Division  
 Richland, Michigan  
[www.parker.com/pneumatics](http://www.parker.com/pneumatics)



**B3C Series**

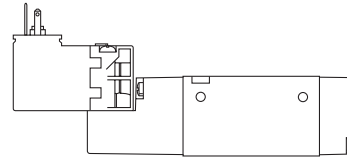
**Spool / Body Service Kits**

*Kit Includes:*

PS2901CP	4-Way, 2-Pos	Item 15, 21 (2), 24, 25, 31 (2), grease packet
PS2902CP	4-Way, 3-Pos APB	Item 16, 21 (2), 31 (2), grease packet
PS2903CP	4-Way, 3-Pos CE	Item 16, 21 (2), 31 (2), grease packet
PS2904CP	4-Way, 3-Pos PC	Item 16, 21 (2), 31 (2), grease packet
PS2971CP	3-Way, 2-Pos	Item 15, 21 (2), 24, 25, 31 (2), grease packet

**Valve to Manifold Kits**

PS2980P	Gasket (10) - Inline 3-Way Valve to Segmented Manifold
PS2981P	Gasket (10) - Inline 4-Way Valve to Segmented Manifold
PS2984P	O-ring (10) - Inline Valve to IEM Bar Manifold
PS2986P	Gasket - Subbase Valve to Subbase Bar Manifold; Item 4 (10), 39 (10)
PS2987P	Mounting Bolts (10) - Inline Valve / Subbase Valve



**Manifold to Manifold Kit**

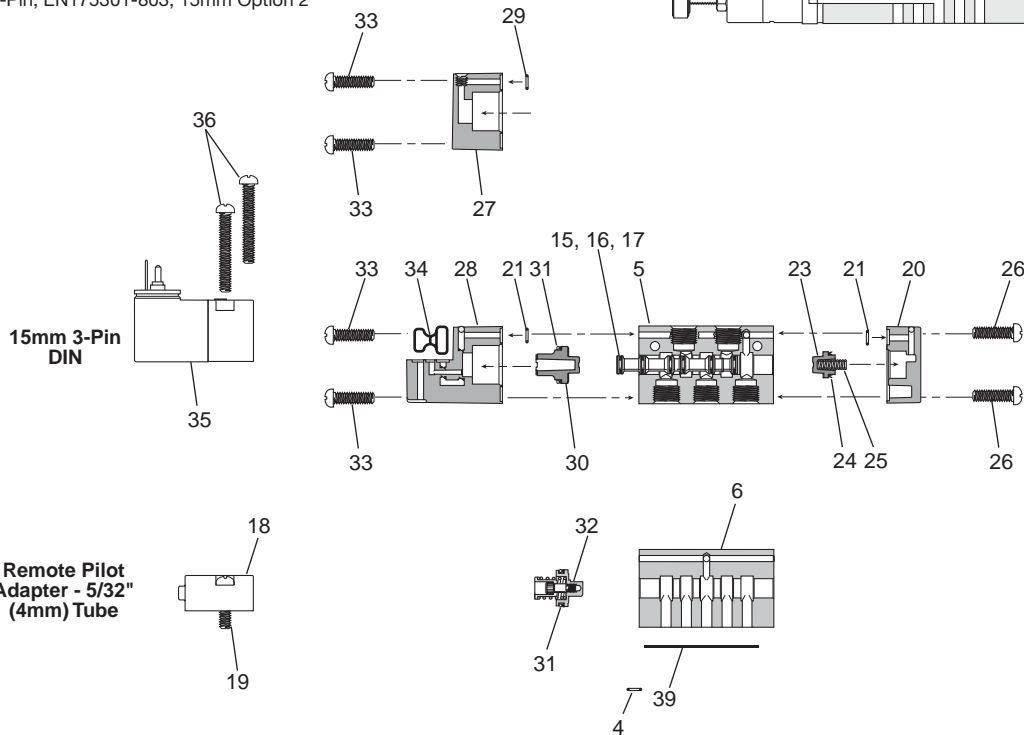
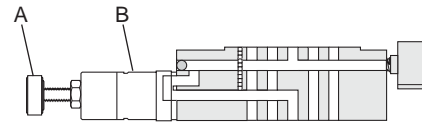
PS2996P	Gasket (10), Tie Rods (10) - 4-Way Manifold
---------	---------------------------------------------

**Sandwich Regulator Cartridge Kit**

PS299922P	2-60 PSI Cartridge (Item A, B)
PS299933P	5-125 PSI Cartridge (Item A, B)

**Solenoid Kit Kit Includes: 35, 36, 34**

PS2982*##P	3-Pin, EN175301-803, 15mm
PS3541*##P	3-Pin, EN175301-803, 15mm Option 2



**Item List** – Parts not sold separately.

Item Description	Item Description	Item Description
4* O-ring - Ext Pilot Valve to Manifold	23 Return Piston	31* Lip Seal - Operator Piston
5 Inline Body - Tapped Ports	24* Lip Seal - Return Piston	32 Operator Piston Mechanism - 3-Position
6 Subbase Body	25* Spring, Return Assist	33 Screws - Operator Adapter
7 Inline Body - Tube Ports	26 Screws - Return Operator	34* Gasket - Solenoid to Adapter
15* Spool - 2-Position (Seals Assembled)	27 Remote Pilot Operator	35* 15mm Solenoid
16* Spool - 3-Position (Seals Assembled)	28a Solenoid Adapter - Vent Exhaust	36* Self Tapping Screw - Solenoid (Effective May 99)
17* Spool Seal	28b Solenoid Adapter - Ext Pilot. Vent Exhaust	36* Machine Screw - Solenoid (Jan 96 - May 99)
18 Remote Pilot Adapter (PVAP111)	28c Solenoid Adapter - Ext Pilot. Tapped Exhaust	39* Gasket - Subbase Valve to Base
19 Screw - Remote Pilot Adapter	28d Solenoid Adapter - Tapped Exhaust	40* Mounting Screws - Subbase Valve
20 Return Operator	29 O-ring - Remote Pilot	
21* Gasket - Body to Operator	30 Operator Piston - 2-Position	

**Note:** \* Parts are available in kits shown. For kit components, order VALVE LESS SOLENOID for assembled and tested repair valve.

**C**  
 Inline Valves  
 Viking Lite  
 Viking Extreme  
 Series "B"  
 Air Saver Unit  
 ADEX Series  
 "N" Series



For inventory, lead times, and kit lookup, visit [www.pdnplu.com](http://www.pdnplu.com)

**B5C Series**

**Spool / Body Service Kits**

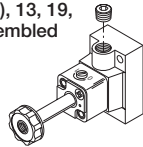
PS2801*P	4-Way, 2-Pos	<i>Kit Includes:</i>	Item 2, 10 (2), 14, 15, 116, 6 (2), grease packet
PS2802*P	4-Way, 3-Pos APB		Item 3, 6 (2), 10 (2), 13 (2), grease packet
PS2803*P	4-Way, 3-Pos CE		Item 3, 6 (2), 10 (2), 13 (2), grease packet
PS2804*P	4-Way, 3-Pos PC		Item 3, 6 (2), 10 (2), 13 (2), grease packet
PS2871*P	3-Way, 2-Pos NC		Item 2, 10 (2), 14, 15, 116, 6 (2), grease packet

\* Fluorocarbon Seal Kit (i.e. PS2801VP)

**Pilot Replacement Kit – Alternate Enclosure**

*Kit Includes:* Item 6, 9, 10, 11, 17 (2), 18 (2), 13, 19, 20, 22, 23, 24 (2), 57, 58 Assembled

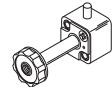
PS2897GBP	Non-Locking, BSPP
PS2897GCP	Locking, BSPP
PS2897NBP	Non-Locking, NPT
PS2897NCP	Locking, NPT



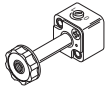
**Armature / Override Kit**

*Kit Includes:* Item 22, 23, 24 (2), 57, 58 Assembled

P2FP13N4D\*  
Non-Locking

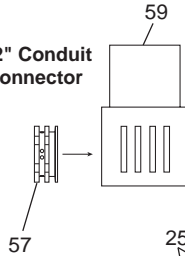


P2FP13N4C\*  
Locking

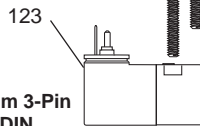


\* Comes with a Thru Nut and A Diffuser Nut.

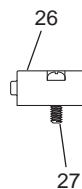
1/2" Conduit Connector



15mm 3-Pin DIN



Remote Pilot Adapter - 5/32" (4mm) Tube



**Valve to Manifold Kits**

PS2884P	O-ring (10) - Inline Valve to IEM Manifold (All)
PS2886P	Gasket (10) - Subbase Valve to Subbase
PS2887P	Mounting Bolts (10) - Inline & Subbase Valve

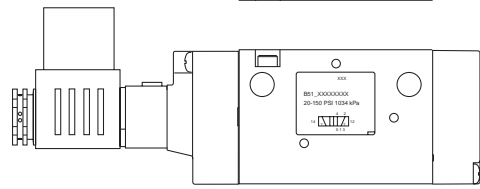
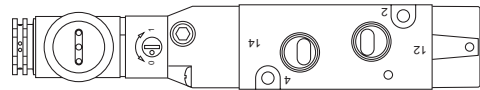
**Manifold to Manifold Kit**

PS2896P	Gasket (10), Tie Rods (10) - 4-Way Manifold
---------	---------------------------------------------

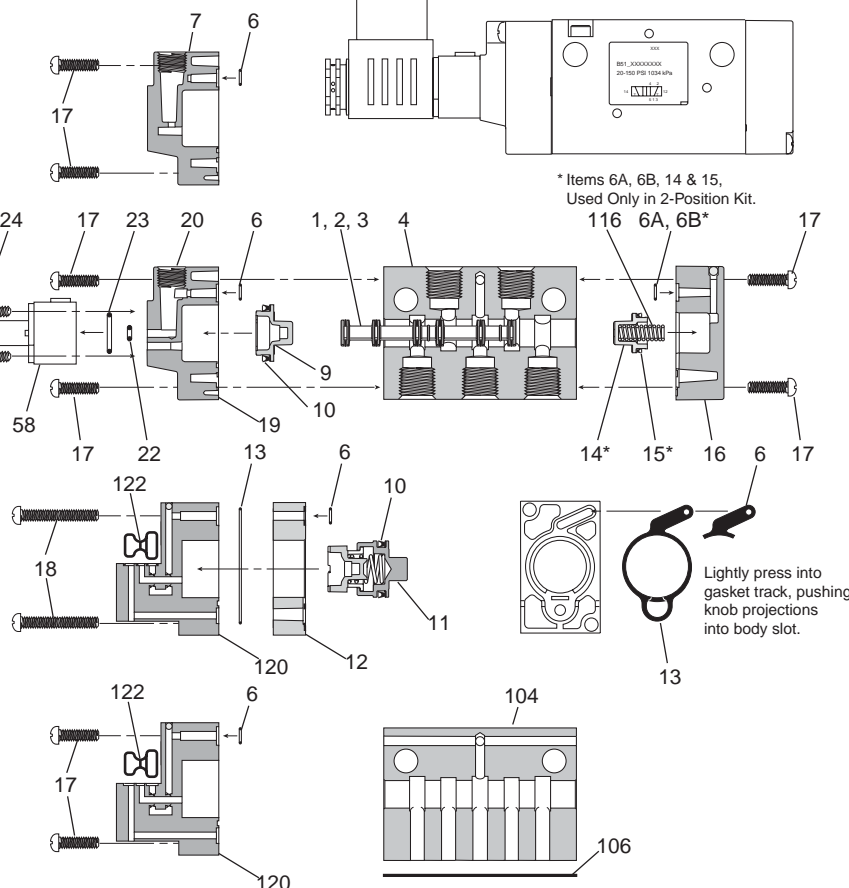
**Solenoid Kit**

*Kit Includes:* 25, 122, 123

PS2982*##P	3-Pin, EN175301-803, 15mm
PS3541*##P	3-Pin, EN175301-803, 15mm Option 2



\* Items 6A, 6B, 14 & 15, Used Only in 2-Position Kit.



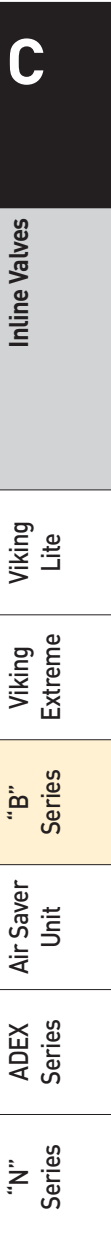
**Item List – Parts not sold separately.**

Item	Description	Item	Description	Item	Description
1*	Spool Seal	15*	Lip Seal - Return Piston	57*	Solenoid Nut
2*	Spool - 2-Position (Seals Assembled)	16	Return Operator	58a*	Solenoid Base Assembly - Locking
3*	Spool - 3-Position (Seals Assembled)	17*	Screws - Operator Adapter - 2-Position	58b*	Solenoid Base Assembly - Non Locking
4	Inline Body	18*	Screws - Operator Adapter - 3-Position	59*	Coil - Alternate Enclosure (see Page C51)
6A*	Gasket - Body to Operator	19*	Operator Adapter - Alt Enclosure	104	Subbase Body
6B	O-ring - Body to Operator (Effective July 2007)	20*	1/8" NPT Pipe Plug	106*	Gasket - Subbase Valve to Base
7	Remote Pilot Operator	22*	O-ring - Small - Solenoid Base	116*	Spring, Return Assist
9	Operator Piston - 2-Position	23*	O-ring - Large - Solenoid Base	120a	Solenoid Adapter - Vent Exhaust
10*	Lip Seal - Operator Piston	24*	Bolts - Solenoid Base	120b	Solenoid Adapter - Tapped Exhaust
11	Operator Piston Mechanism - 3-Position	25a*	Self Tapping Screw - Solenoid (Effective May 99)	120d	Solenoid Adapter - Ext Pilot. Vent Exhaust
12	Adapter - 3-Position	25b*	Machine Screw - Solenoid (Jan 96 - May 99)	120e	Solenoid Adapter - Ext Pilot. Tapped Exhaust
13*	Gasket - 3-Position Adapter to Body	26	Remote Pilot Adapter - 5/32" Tube (PVAP111)	122*	Gasket - Solenoid to Adapter
14	Return Piston	27	Screws - Remote Pilot Adapter	123*	15mm Solenoid

**Note:** \* Parts are available in kits shown. For kit components, order VALVE LESS SOLENOID for assembled and tested repair valve.



For inventory, lead time, and kit lookup, visit [www.pdnplu.com](http://www.pdnplu.com)



**B6A Series**

**Spool / Body Service Kits**

PS2601P	4-Way, 2-Pos	Kit Includes:
PS2602P	4-Way, 3-Pos APB	Item 2, 6 (2), 9 (2), 11, 14, grease packet
PS2603P	4-Way, 3-Pos CE	Item 3, 6 (2), 9 (2), 13 (2), grease packet
PS2604P	4-Way, 3-Pos PC	Item 3, 6 (2), 9 (2), 13 (2), grease packet
PS267101P	3-Way, 2-Pos. NC	Item 2, 6, 9, 14, grease packet
PS267102P	3-Way, 2-Pos. NO	Item 2, 6, 9, 14, grease packet

**Valve to Manifold Kits**

PS2684P	O-ring (10) - Inline Valve to IEM Manifold
PS2887P	Mounting Bolts (10) - Inline Valve

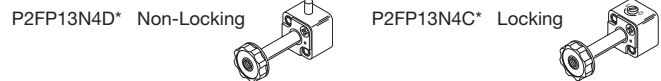
**Pilot Replacement Kit – Alternate Enclosure**

Kit Includes: Item 6, 8, 9, 10, 16 (2), 17 (2), 18, 13, 20, 22, 23, 24 (2), 57, 58 Assembled

PS2897GBP	Non-Locking, BSPP
PS2897GCP	Locking, BSPP
PS2897NBP	Non-Locking, NPT
PS2897NCP	Locking, NPT

**Armature / Override Kit –**

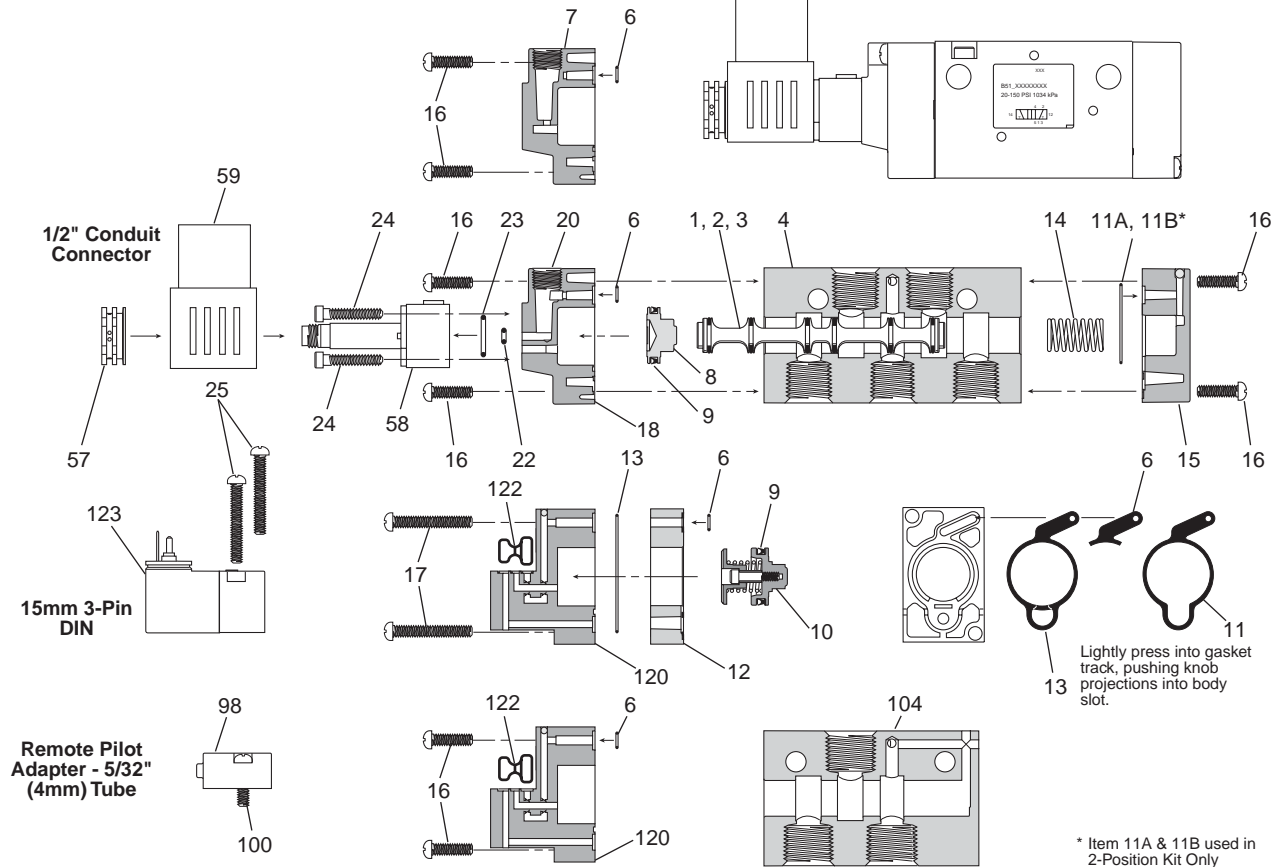
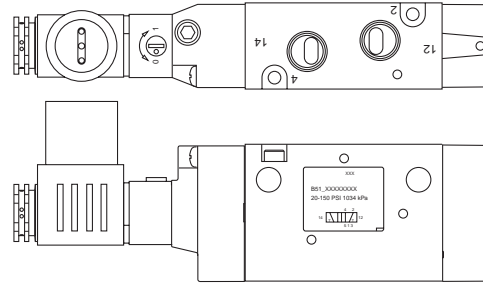
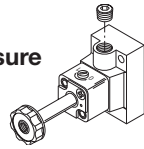
Kit Includes: Item 22, 23, 24 (2), 57, 58 Assembled



\* Comes with a Thru Nut and A Diffuser Nut.

**Solenoid Kit Kit Includes: 25, 122, 123**

PS2982*##P	3-Pin, EN175301-803, 15mm
PS3541*##P	3-Pin, EN175301-803, 15mm Option 2



\* Item 11A & 11B used in 2-Position Kit Only

**Item List – Parts not sold separately.**

Item	Description	Item	Description	Item	Description
1*	Spool Seal	14*	Spring, Return Assist	58a*	Solenoid Base Assembly - Locking
2*	Spool - 2-Position (Seals Assembled)	15a	Return Operator	58b*	Solenoid Base Assembly - Non Locking
3*	Spool - 3-Position (Seals Assembled)	15b	Return Operator - CSA Option	59*	Coil - Alternate Enclosure (see Page C51)
4	Inline Body - 4-Way	16*	Screws - Operator Adapter - 2-Position	98*	Remote Pilot Adapter - 5/32" Tube (PVAP111)
6*	Gasket - Body to Operator	17*	Screws - Operator Adapter - 3-Position	100	Screws - Remote Pilot Adapter
7	Remote Pilot Operator	18*	Operator Adapter - Alt Enclosure	104	Inline Body - 3-Way
8	Operator Piston - 2-Position	20*	1/8" NPT Pipe Plug	120a	Solenoid Adapter - Vent Exhaust
9*	Lip Seal - Operator Piston	22*	O-ring - Small - Solenoid Base	120b	Solenoid Adapter - Tapped Exhaust
10	Operator Piston Mechanism - 3-Position	23*	O-ring - Large - Solenoid Base	120c	Solenoid Adapter - Ext Pilot. Vent Exhaust
11A*	Gasket - Body to Return Cap	24*	Bolts - Solenoid Base	120d	Solenoid Adapter - Ext Pilot. Tapped Exhaust
11B*	O-ring - Body to Operator (Effective Feb. 2008)	25*	Self Tapping Screw - Solenoid (Effective Jan 00)	122*	Gasket - Solenoid to Adapter
12	Adapter - 3-Position	57*	Solenoid Nut	123*	15mm Solenoid
13	Gasket - 3-Position Adapter to Body				

**Note:** \* Parts are available in kits shown. For kit components, order VALVE LESS SOLENOID for assembled and tested repair valve.

**C**  
 Inline Valves  
 Viking Lite  
 Viking Extreme  
 "B" Series  
 Air Saver Unit  
 ADEX Series  
 "N" Series



For inventory, lead times, and kit lookup, visit [www.pdnplu.com](http://www.pdnplu.com)

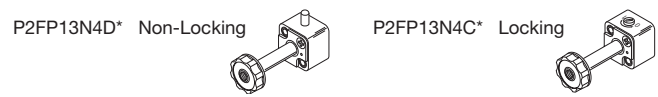
**B7A / B8A Series**

**Spool / Body Service Kits**

		<i>Kit Includes:</i>
PS2501P	4-Way, 2-Pos	Item 2, 6 (2), 9 (2), 11, grease packet
PS2502P	4-Way, 3-Pos APB	Item 3, 6 (2), 9 (2), 13 (2), grease packet
PS2503P	4-Way, 3-Pos CE	Item 3, 6 (2), 9 (2), 13 (2), grease packet
PS2504P	4-Way, 3-Pos PC	Item 3, 6 (2), 9 (2), 13 (2), grease packet
PS257101P	3-Way, 2-Pos. NC	Item 2, 6, 9, grease packet
PS257102P	3-Way, 2-Pos. NO	Item 2, 6, 9, grease packet

**Armature / Override Kit –**

*Kit Includes:* Item 22, 23, 24 (2), 57, 58 Assembled



\* Comes with a Thru Nut and A Diffuser Nut.

**Valve to Manifold Kits**

PS2584P	O-ring (10) - Inline Valve to IEM Manifold
PS2587P	Mounting Bolts (10) - Inline Valve

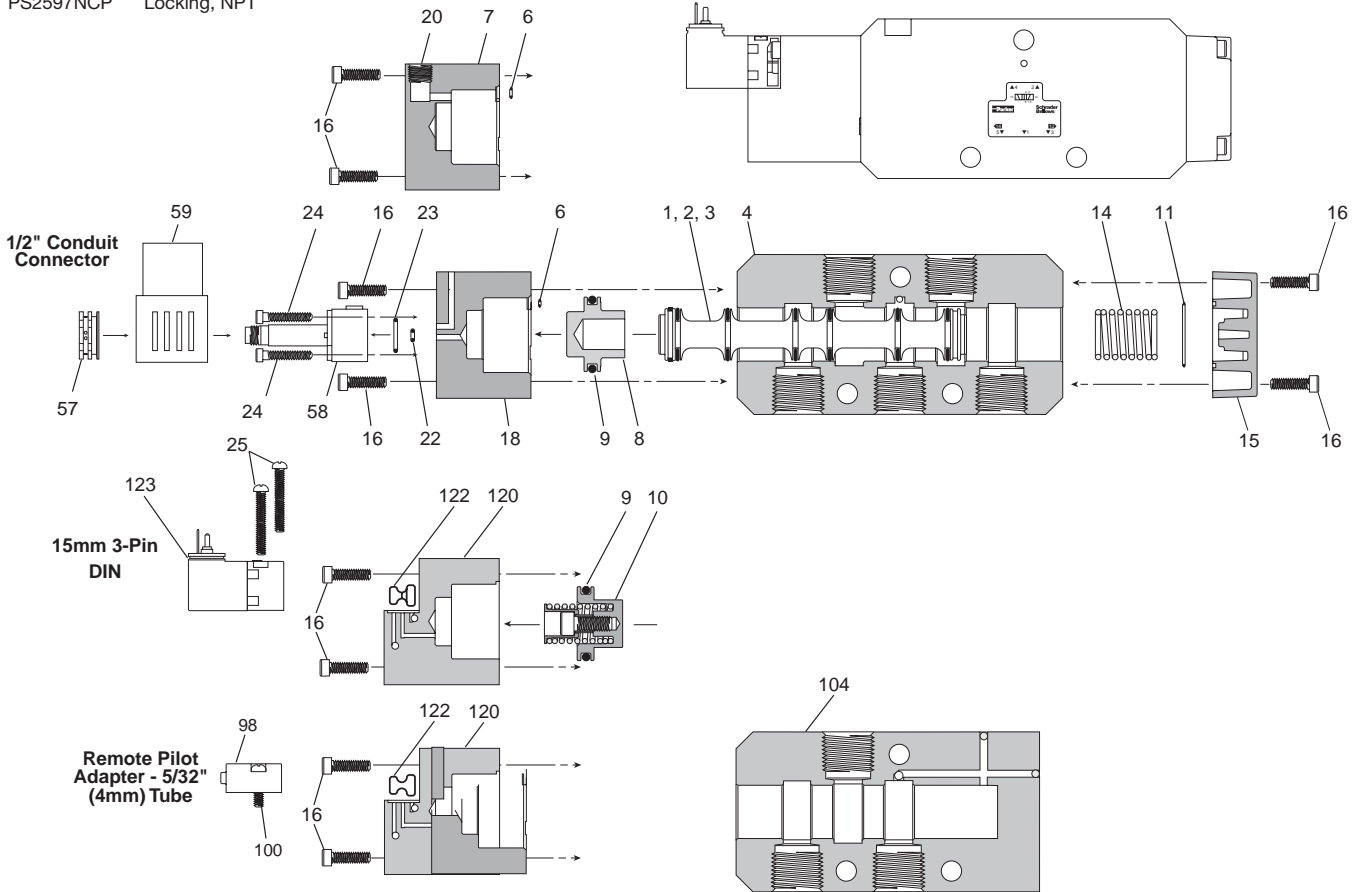
**Solenoid Kit** *Kit Includes:* 25, 122, 123

PS2982*##P	3-Pin, EN175301-803, 15mm
PS3541*##P	3-Pin, EN175301-803, 15mm Option 2

**Pilot Replacement Kit – Alternate Enclosure**

*Kit Includes:* Item 6, 8, 9, 10, 16 (4), 18, 20, 22, 23, 24 (2), 57, 58 Assembled

PS2597GBP	Non-Locking, BSPP
PS2597GCP	Locking, BSPP
PS2597NBP	Non-Locking, NPT
PS2597NCP	Locking, NPT



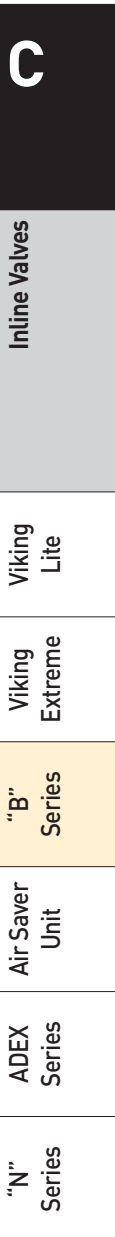
**Item List – Parts not sold separately.**

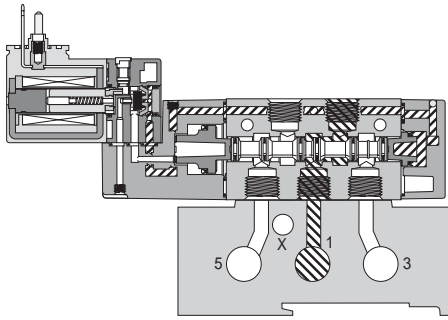
Item	Description	Item	Description	Item	Description
1*	Spool Seal	15a	Return Operator	58b*	Solenoid Base Assembly - Non Locking
2*	Spool - 2-Position (Seals Assembled)	16*	Screws - Operator Adapter	59*	Coil - Alternate Enclosure (see Page C51)
3*	Spool - 3-Position (Seals Assembled)	8*	Operator Adapter - Alt Enclosure	98*	Remote Pilot Adapter - 5/32" Tube (PVAP111)
4	Inline Body - 4-Way	20*	1/8" NPT Pipe Plug	100	Screws - Remote Pilot Adapter
6*	Gasket - Body to Operator	22*	O-ring - Small - Solenoid Base	104	Inline Body - 3-Way
7	Remote Pilot Operator	23*	O-ring - Large - Solenoid Base	120a	Solenoid Adapter - Vent Exhaust
8	Operator Piston - 2-Position	24*	Bolts - Solenoid Base	120b	Solenoid Adapter - Tapped Exhaust
9*	Lip Seal - Operator Piston	25*	Self Tapping Screw - Solenoid (Effective Jan 00)	120c	Solenoid Adapter - Ext Pilot. Vent Exhaust
10	Operator Piston Mechanism - 3-Position	57*	Solenoid Nut	120d	Solenoid Adapter - Ext Pilot. Tapped Exhaust
11*	Gasket - Body to Return Cap	58a*	Solenoid Base Assembly - Locking	122*	Gasket - Solenoid to Adapter
14*	Spring, Return Assist			123*	15mm Solenoid

**Note:** \* Parts are available in kits shown. For kit components, order VALVE LESS SOLENOID for assembled and tested repair valve.



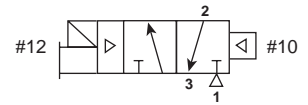
For inventory, lead time, and kit lookup, visit [www.pdnplu.com](http://www.pdnplu.com)





**B3 Single Solenoid IEM Aluminum Bar Manifold**  
 Shown De-Energized

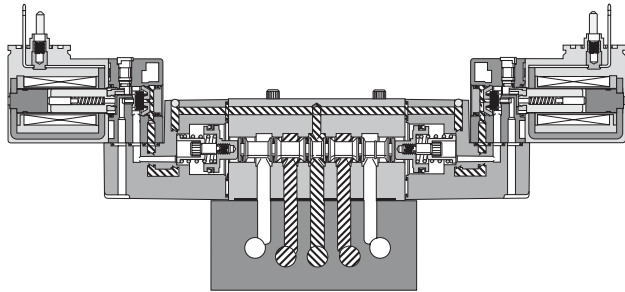
**Single Solenoid**  
**3-Way, 2-Position**  
**NC (NPP)**



**Normally Closed:**

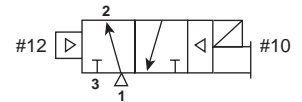
*De-energized position* – Solenoid #12 de-energized. Pressure at inlet port 1 blocked, outlet port 2 connected to exhaust port 3.

*Energized position* – Solenoid #12 energized. Pressure at inlet port 1 connected to outlet port 2, exhaust port 3 is blocked.



**B3 Double Solenoid 3-Position Subbase Mounted**  
 Shown De-Energized

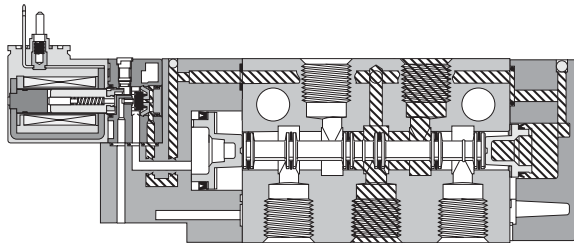
**Single Solenoid**  
**3-Way, 2-Position**  
**NO (NP)**



**Normally Open:**

*De-energized position* – Solenoid #10 de-energized. Pressure at inlet port 1 connected to outlet port 2, exhaust port 3 is blocked.

*Energized position* – Solenoid #10 energized. Pressure at inlet port 1 blocked, outlet port 2 connected to exhaust port 3.



**B5 Single Solenoid Inline - Air Return**  
 Shown De-Energized

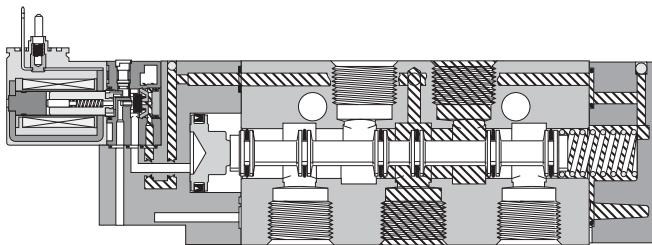
**3-Way Configuration**

**B6, B7, B8:**

Looking at the #1 and #3 ports, the solenoid (or remote operator) is always on the #3 port end. Different spools are used for NO and NC functions.

**B3, B5:**

Looking at the #1 and #3 ports, the solenoid (or remote operator) is on the #3 port end for NC and the #1 port end for NO. The same spool is used for both.



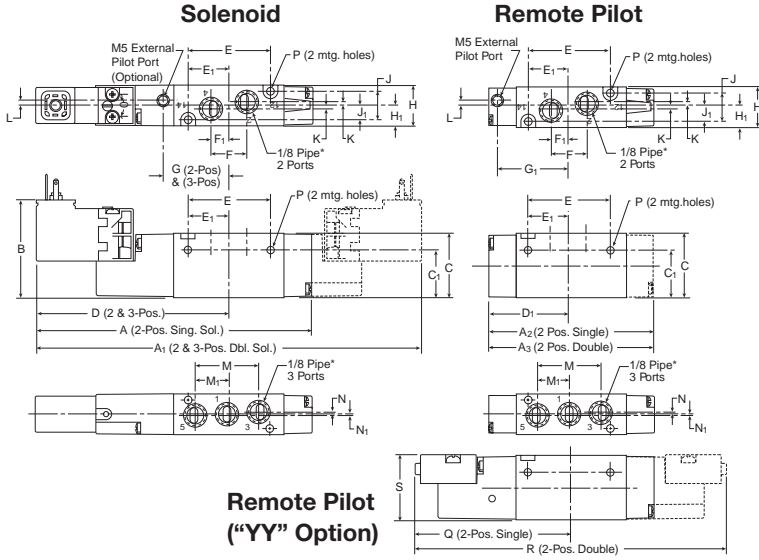
**B6, B7 & B8 Single Solenoid Inline - Spring / Air Return**  
 Shown De-Energized

Pressure Exhaust

C	Inline Valves
	Viking Lite
Viking Extreme	"B" Series
	Air Saver Unit
ADEX Series	"N" Series



**B3 Single & Double Operators – 4-way Inline**

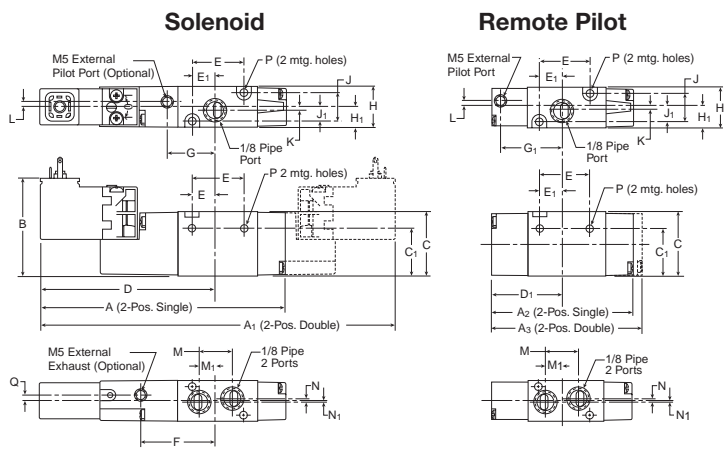


**B3 4-way Inline**

<b>A</b> 4.67 (119)	<b>A1</b> 6.44 (164)	<b>A2</b> 3.12 (79)	<b>A3</b> 3.33 (85)	<b>B</b> 1.66 (42)
<b>C</b> 1.13 (39)	<b>C1</b> .84 (21)	<b>D</b> 3.22 (82)	<b>D1</b> 1.66 (42)	<b>E</b> 1.47 (37)
<b>E1</b> .74 (19)	<b>F</b> .63 (16)	<b>F1</b> .32 (8)	<b>G</b> 1.13 (29)	<b>G1</b> 1.50 (38)
<b>H</b> .71 (18)	<b>H1</b> .36 (9)	<b>J</b> .51 (13)	<b>J1</b> .26 (7)	<b>K</b> .06 (2)
<b>L</b> .11 (3)	<b>M</b> 1.12 (28)	<b>M1</b> .56 (14)	<b>N</b> .05 (1)	<b>N1</b> .05 (1)
<b>P</b> Ø .13 (3.3)	<b>Q</b> 2.69 (68)	<b>R</b> 5.37 (136)	<b>S</b> 1.16 (29)	

Inches (mm)

**B3 Single & Double Operators – 3-way Inline**

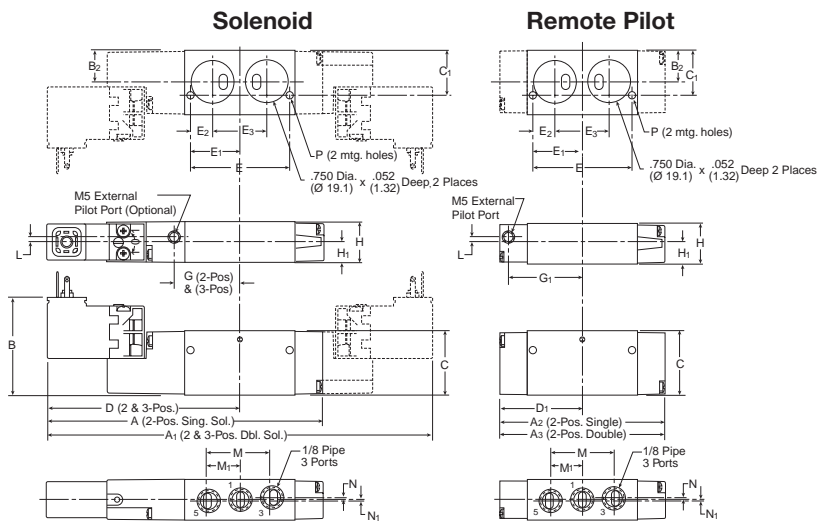


**B3 3-way Inline**

<b>A</b> 4.20 (107)	<b>A1</b> 5.96 (151)	<b>A2</b> 2.65 (67)	<b>A3</b> 2.86 (73)	<b>B</b> 1.66 (42)
<b>C</b> 1.13 (39)	<b>C1</b> .84 (21)	<b>D</b> 2.93 (74)	<b>D1</b> 1.38 (35)	<b>E</b> .98 (25)
<b>E1</b> .44 (11)	<b>F</b> 1.32 (34)	<b>G</b> .85 (22)	<b>G1</b> 1.22 (31)	<b>H</b> .71 (18)
<b>H1</b> .36 (9)	<b>J</b> .51 (13)	<b>J1</b> .26 (7)	<b>K</b> .06 (2)	<b>L</b> .11 (3)
<b>M</b> .63 (16)	<b>M1</b> .27 (7)	<b>N</b> .12 (3)	<b>N1</b> .06 (2)	<b>P</b> Ø .13 (3.3)
<b>Q</b> .08 (2)				

Inches (mm)

**B3 Single & Double Operators – 4-way Face Mount**



**B3 4-way Face Mount**

<b>A</b> 4.67 (119)	<b>A1</b> 6.44 (164)	<b>A2</b> 3.12 (79)	<b>A3</b> 3.33 (85)	<b>B</b> 1.66 (42)
<b>B2</b> .58 (15)	<b>C</b> 1.13 (29)	<b>C1</b> .81 (21)	<b>D</b> 3.22 (82)	<b>D1</b> 1.66 (42)
<b>E</b> 1.74 (44)	<b>E1</b> .87 (22)	<b>E2</b> .39 (10)	<b>E3</b> .95 (24)	<b>G</b> 1.13 (29)
<b>G1</b> 1.50 (38)	<b>H</b> .71 (18)	<b>H1</b> .36 (9)	<b>L</b> .11 (3)	<b>M</b> 1.12 (28)
<b>M1</b> .56 (14)	<b>N</b> .05 (1)	<b>N1</b> .05 (1)	<b>P</b> Ø .13 (3.3)	

Inches (mm)

**C**  
**Inline Valves**  
**Viking Lite**  
**Viking Extreme**  
**"B" Series**  
**Air Saver Unit**  
**ADEX Series**  
**"N" Series**



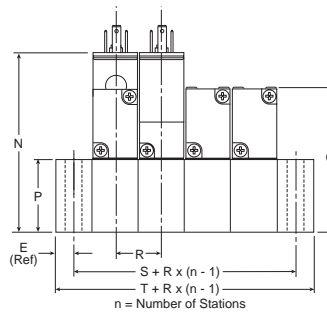
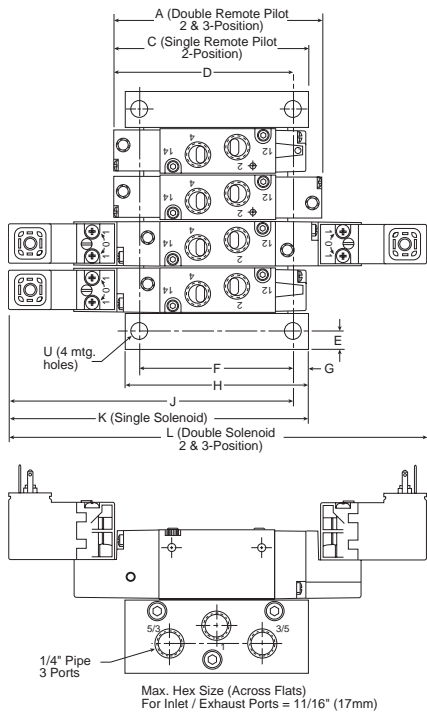
For inventory, lead time, and kit lookup, visit [www.pdnplu.com](http://www.pdnplu.com)

C61

**Parker Hannifin Corporation**  
 Pneumatic Division  
 Richland, Michigan  
[www.parker.com/pneumatics](http://www.parker.com/pneumatics)



**B3 Single & Double Operators – 4-way IEM Stackable**

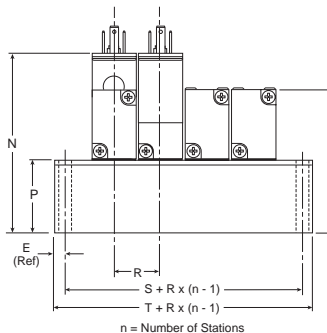
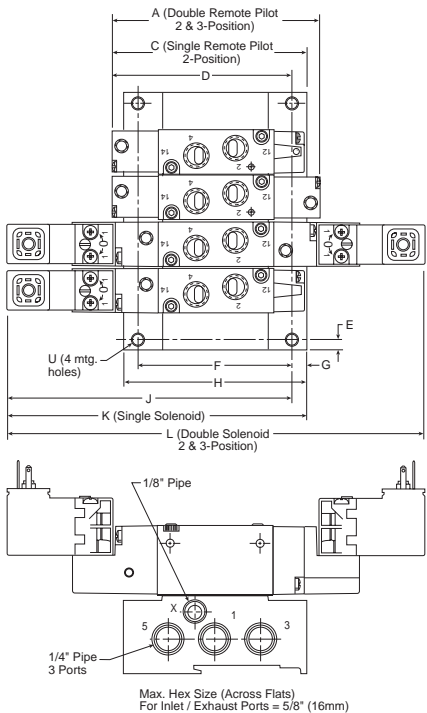


**B3 4-way IEM Stackable**

<b>A</b>	<b>C</b>	<b>D</b>	<b>E</b>	<b>F</b>
3.33 (84.6)	3.12 (79.2)	2.91 (73.9)	.30 (7.6)	2.49 (63.3)
<b>G</b>	<b>H</b>	<b>J</b>	<b>K</b>	<b>L</b>
.25 (6.4)	3.00 (76.2)	4.46 (113.3)	4.67 (118.6)	6.43 (163.3)
<b>N</b>	<b>P</b>	<b>Q</b>	<b>R</b>	
2.91 (73.9)	1.25 (31.8)	2.38 (60.5)	.74 ±.01 (18.8) ± .3	
<b>S</b>	<b>T</b>	<b>U</b>		
1.34 (34.0)	1.94 (49.3)	Ø .28 Ø (7.1)		

Inches (mm)

**B3 Single & Double Operators – 4-way IEM Aluminum Bar**

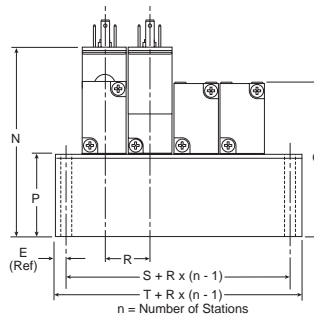
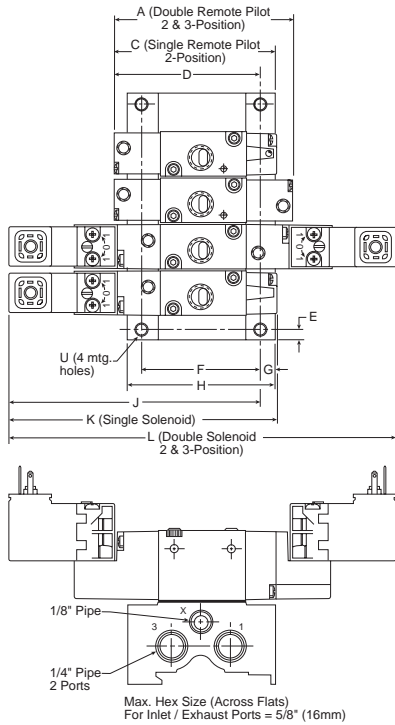


**B3 4-way IEM Aluminum Bar Manifold**

<b>A</b>	<b>C</b>	<b>D</b>	<b>E</b>	<b>F</b>
3.33 (84.6)	3.17 (80.5)	2.94 (74.7)	.25 (6.4)	2.54 (64.5)
<b>G</b>	<b>H</b>	<b>J</b>	<b>K</b>	<b>L</b>
.23 (5.9)	3.00 (76.2)	4.50 (114.2)	4.73 (120.1)	6.43 (163.3)
<b>N</b>	<b>P</b>	<b>Q</b>	<b>R</b>	<b>S</b>
2.94 (74.7)	1.28 (32.5)	2.41 (61.2)	.81 (20.5)	1.13 (28.8)
<b>T</b>	<b>U</b>			
1.64 (41.6)	Ø .23 Ø (5.8)			

Inches (mm)

**B3 Single & Double Operators – 3-way IEM Aluminum Bar**

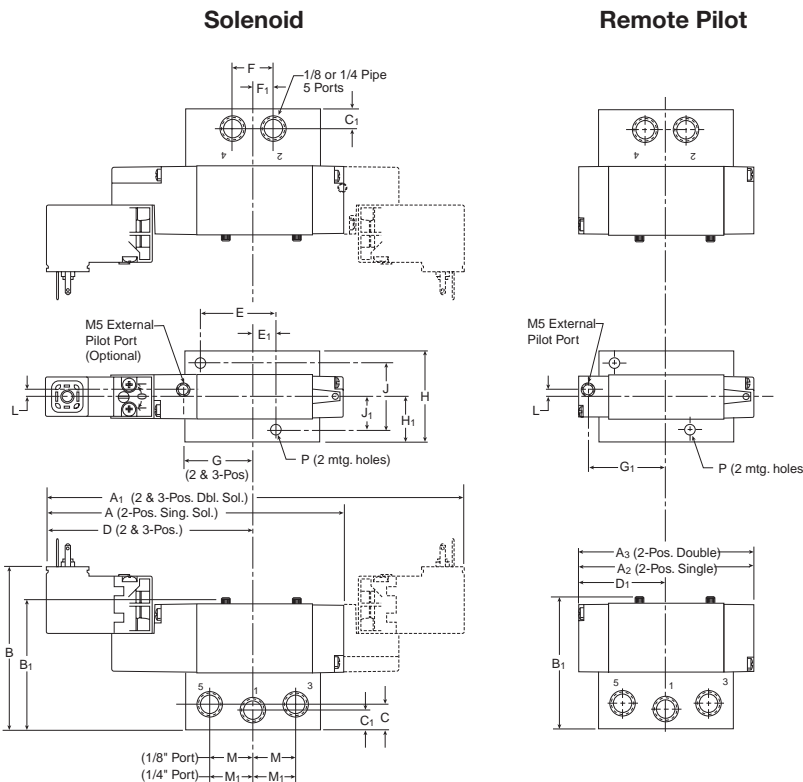


**B3 4-way IEM Aluminum Bar Manifold**

A	C	D	E	F
2.86 (72.6)	2.65 (67.3)	2.33 (59.2)	.25 (6.4)	1.80 (45.7)
G	H	J	K	L
.23 (5.9)	2.25 (57.2)	3.88 (98.6)	4.20 (106.7)	5.96 (151.4)
N	P	Q	R	S
2.93 (74.5)	1.27 (32.4)	2.40 (61.1)	.81 (20.5)	1.13 (28.8)
T	U			
1.64 (41.6)	Ø .23 Ø (5.8)			

Inches (mm)

**B3 Single & Double Operators (– 4-way Single Subbase)**



**B3 4-way Single Subbase**

A	A <sub>1</sub>	A <sub>2</sub>	A <sub>3</sub>	B
4.67 (119)	6.44 (164)	3.12 (79)	3.33 (85)	2.63 (67)
B <sub>1</sub>	C	C <sub>1</sub>	D	D <sub>1</sub>
2.21 (56)	.47 (12)	.37 (9)	3.22 (82)	1.66 (42)
E	E <sub>1</sub>	F	F <sub>1</sub>	G
1.25 (32)	.38 (10)	.69 (18)	.34 (9)	1.13 (29)
G <sub>1</sub>	H	H <sub>1</sub>	J	J <sub>1</sub>
1.50 (38)	1.50 (38)	.75 (19)	1.12 (28)	.56 (14)
L	M	M <sub>1</sub>	P	
.11 (3)	.71 (18)	.76 (19)	Ø .18 Ø (4)	

Inches (mm)

C

Inline Valves

Viking Lite

Viking Extreme

"B" Series

Air Saver Unit

ADEX Series

"N" Series

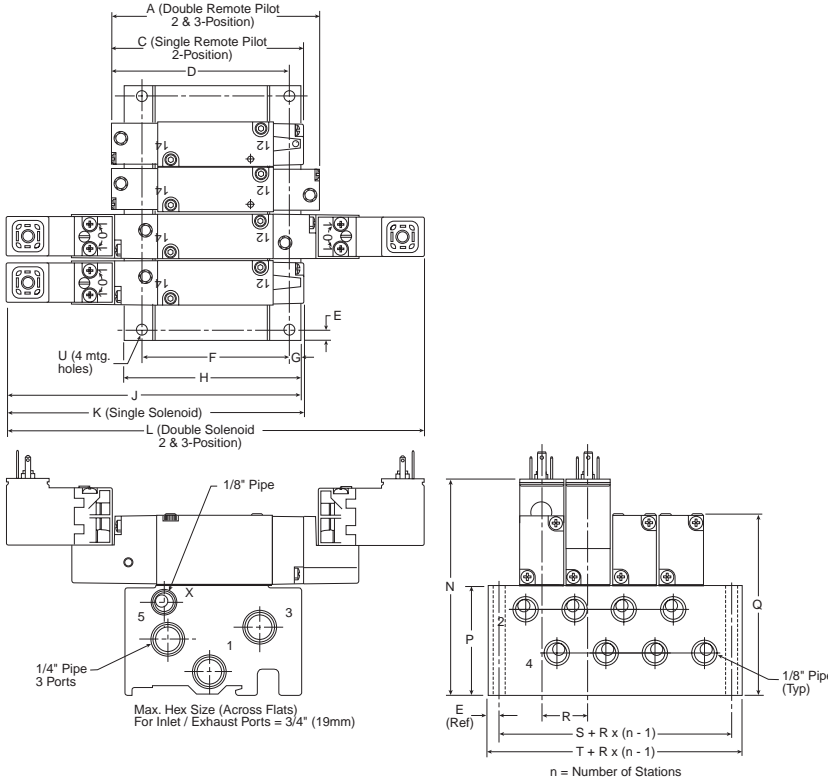


For inventory, lead time, and kit lookup, visit [www.pdnplu.com](http://www.pdnplu.com)

C63

**Parker Hannifin Corporation**  
 Pneumatic Division  
 Richland, Michigan  
[www.parker.com/pneumatics](http://www.parker.com/pneumatics)

**B3 Single & Double Operators – 5-port Subbase Bar Manifold**

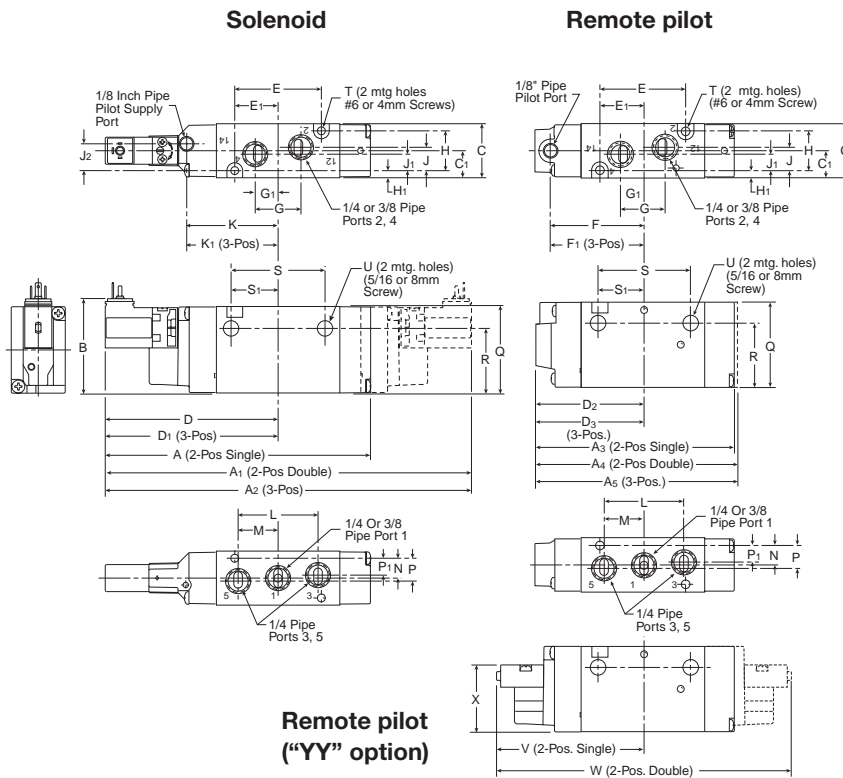


**B3 5-port Subbase Bar Manifold**

A	C	D	E	F
3.33 (84.6)	3.12 (79.2)	2.88 (73.2)	.25 (6.3)	2.43 (61.7)
G	H	J	K	L
.22 (5.5)	2.93 (74.5)	4.66 (118.3)	4.67 (118.6)	6.43 (166.3)
N	P	Q	R	S
3.47 (88.2)	1.81 (46.0)	2.94 (74.7)	.81 (20.5)	1.39 (35.4)
T	U			
1.89 (48.0)	Ø .22 Ø (5.6)			

Inches (mm)

**B5 Single & Double Operators – 4-way Inline**



**B5 4-way Inline**

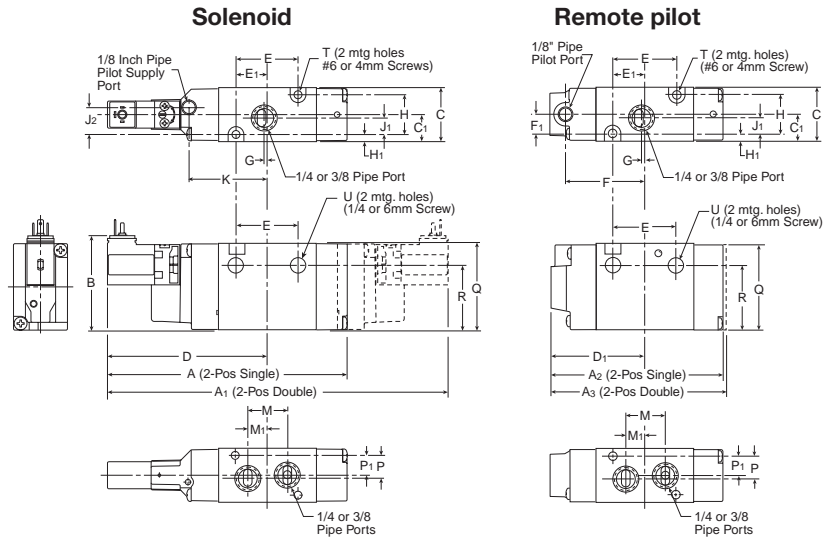
A	A1	A2	A3	A4
5.78 (147)	7.51 (191)	8.45 (215)	4.37 (110)	4.70 (119)
A5	B	C	C1	D
5.64 (143)	2.06 (52)	1.18 (30)	.59 (15)	3.76 (96)
D1	D2	D3	E	E1
4.23 (107)	2.35 (60)	2.82 (72)	1.89 (48)	.95 (24)
F	F1	G	G1	H
2.01 (51)	2.47 (63)	1.00 (25)	.50 (13)	.87 (22)
H1	J	J1	J	K
.16 (4)	.51 (13)	.36 (9)	.58 (15)	2.00 (51)
K1	L	M	N	P
2.47 (63)	1.75 (44)	.88 (22)	.43 (48)	.50 (13)
P1	Q	R	S	S1
.37 (92)	1.89 (48)	1.41 (36)	2.05 (52)	1.03 (26)
T	U	V	W	X
Ø .177 Ø (4.5)	Ø .34 Ø (9)	3.24 (82)	6.48 (165)	1.50 (383)

Inches (mm)



For inventory, lead times, and kit lookup, visit [www.pdnplu.com](http://www.pdnplu.com)

**B5 Single & Double Operators – 3-way Inline**

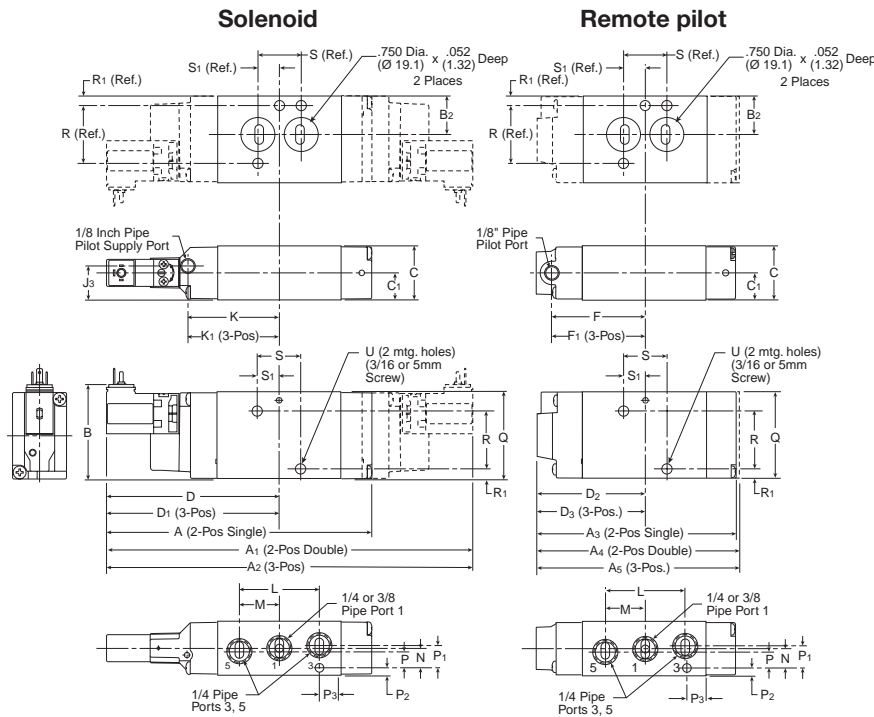


**B5 3-way Inline**

<b>A</b> 5.29 (134)	<b>A<sub>1</sub></b> 7.03 (179)	<b>A<sub>2</sub></b> 3.88 (99)	<b>A<sub>3</sub></b> 4.21 (107)	<b>B</b> 2.06 (52)
<b>C</b> 1.18 (30)	<b>C<sub>1</sub></b> .59 (15)	<b>D</b> 3.43 (87)	<b>D<sub>1</sub></b> 2.11 (54)	<b>E</b> 1.40 (36)
<b>E<sub>1</sub></b> .70 (18)	<b>F</b> 1.77 (45)	<b>F<sub>1</sub></b> .43 (11)	<b>G</b> .06 (2)	<b>H</b> .87 (22)
<b>H<sub>1</sub></b> .16 (4)	<b>J<sub>1</sub></b> .36 (9)	<b>J<sub>2</sub></b> .58 (15)	<b>K</b> 1.67 (42)	<b>M</b> .88 (22)
<b>M<sub>1</sub></b> .44 (11)	<b>P</b> .50 (13)	<b>P<sub>1</sub></b> .37 (9)	<b>Q</b> 1.89 (48)	<b>R</b> 1.41 (36)
<b>T</b> Ø .177 Ø (4.5)		<b>U</b> Ø .26 Ø (6.6)		

Inches (mm)

**B5 Single & Double Operators – 4-way NAMUR Mount**

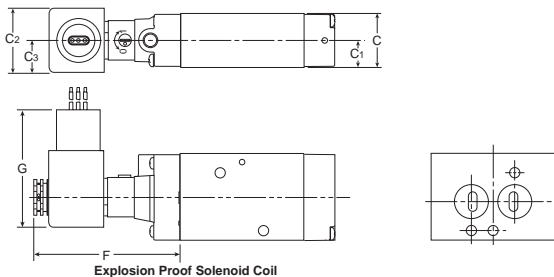


**B5 4-way NAMUR Mount**

<b>A</b> 5.78 (147)	<b>A<sub>1</sub></b> 7.51 (191)	<b>A<sub>2</sub></b> 8.45 (215)	<b>A<sub>3</sub></b> 4.37 (110)	<b>A<sub>4</sub></b> 4.70 (119)
<b>A<sub>5</sub></b> 5.64 (143)	<b>B</b> 2.06 (52)	<b>B<sub>2</sub></b> .84 (21)	<b>C</b> 1.18 (30)	<b>C<sub>1</sub></b> .59 (15)
<b>D</b> 3.76 (96)	<b>D<sub>1</sub></b> 4.23 (107)	<b>D<sub>2</sub></b> 2.35 (60)	<b>D<sub>3</sub></b> 2.82 (72)	<b>F</b> 2.01 (51)
<b>F<sub>1</sub></b> 2.47 (63)	<b>J<sub>3</sub></b> .74 (19)	<b>K</b> 2.00 (51)	<b>K<sub>1</sub></b> 2.47 (63)	<b>L</b> 1.75 (44)
<b>M</b> .88 (22)	<b>N</b> .44 (11)	<b>P</b> .37 (9.4)	<b>P<sub>1</sub></b> .50 (13)	<b>P<sub>2</sub></b> .16 (4)
<b>P<sub>3</sub></b> .40 (10)	<b>Q</b> 1.89 (48)	<b>R</b> 1.26 (32)	<b>R<sub>1</sub></b> .21 (5)	<b>S</b> .94 (24)
<b>S<sub>1</sub></b> .47 (12)		<b>U</b> Ø .224 Ø (5.7)		

Inches (mm)

**B5 Alternative Electrical Enclosure Option F**



**B5 4-way NAMUR Mount with Option F Enclosure**

<b>C</b> 1.18 (30)	<b>C<sub>1</sub></b> .59 (15)	<b>C<sub>2</sub></b> 1.42 (36)	<b>C<sub>3</sub></b> .71 (18)	<b>F</b> 3.15 (80)
<b>G</b> 2.60 (66)				

Inches (mm)



For inventory, lead time, and kit lookup, visit [www.pdnplu.com](http://www.pdnplu.com)

C65

**Parker Hannifin Corporation**  
 Pneumatic Division  
 Richland, Michigan  
[www.parker.com/pneumatics](http://www.parker.com/pneumatics)

C

Inline Valves

Viking Lite

Viking Extreme

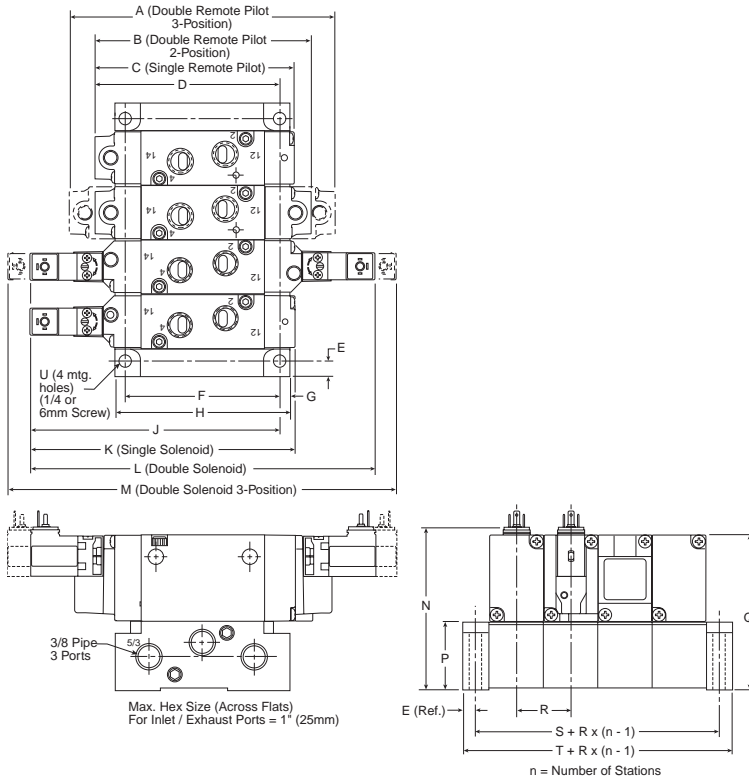
"B" Series

Air Saver Unit

ADEX Series

"N" Series

**B5 Single & Double Operators – 4-way IEM Stackable**



**B5 4-way IEM Stackable**

A	B	C	D	E
5.64 (143.3)	4.70 (119.4)	4.37 (110.0)	4.29 (109.0)	.29 (7.4)
F	G	H	J	K
3.44 (87.4)	.24 (6.1)	3.92 (99.6)	5.48 (139.2)	5.78 (146.8)
L	M	N	P	Q
7.52 (191.0)	8.46 (214.9)	3.56 (90.4)	1.50 (38.1)	3.42 (86.9)
R	S	T	U	
1.21 ± .01 (30.7) ± (.3)	1.79 (45.5)	2.37 (60.2)	Ø .28 (7.1)	

Inches (mm)

C

Inline Valves

Viking Lite

Viking Extreme

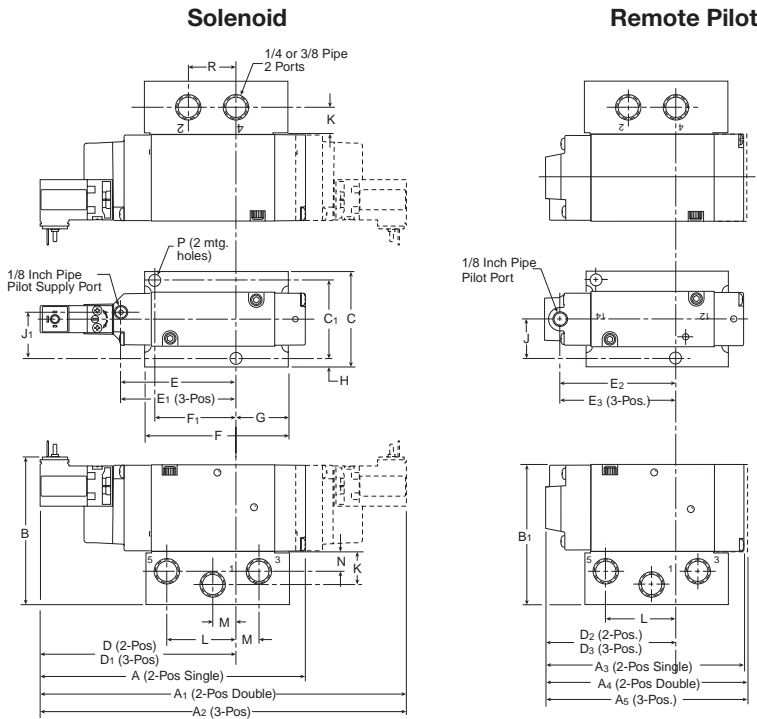
Series "B"

Air Saver Unit

ADEX Series

"N" Series

**B5 Single & Double Operators – 4-way Single Subbase**



**B5 4-way Subbase**

A	A <sub>1</sub>	A <sub>2</sub>	A <sub>3</sub>	A <sub>4</sub>
5.78 (147)	7.52 (191)	8.46 (215)	4.37 (110)	4.70 (119)
A <sub>5</sub>	B	B <sub>1</sub>	C	C <sub>1</sub>
5.64 (143)	3.21 (82)	3.03 (77)	2.12 (54)	1.69 (43)
D	D <sub>1</sub>	D <sub>2</sub>	D <sub>3</sub>	E
4.26 (108)	4.73 (120)	2.85 (72)	3.32 (84)	2.51 (65)
E <sub>1</sub>	E <sub>2</sub>	E <sub>3</sub>	F	F <sub>1</sub>
2.98 (76)	2.60 (66)	3.07 (80)	2.90 (74)	1.69 (43)
G	H	J	J <sub>1</sub>	K
.95 (24)	.22 (5)	.84 (21)	.99 (25)	.71 (18)
L	M	N	P	R
1.50 (38)	.50 (13)	.46 (12)	Ø .27 (7)	1.00 (25)

Inches (mm)

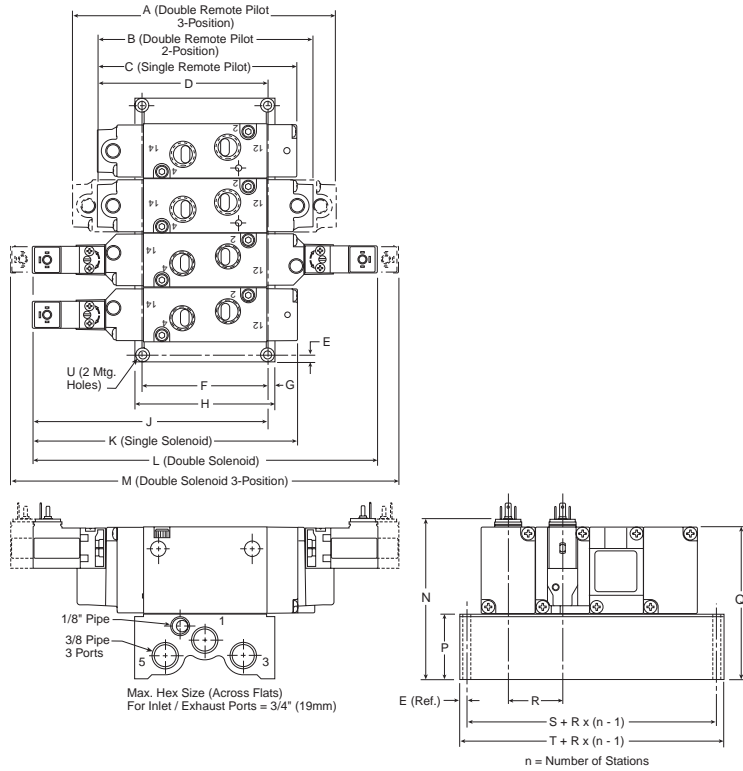


For inventory, lead times, and kit lookup, visit [www.pdnplu.com](http://www.pdnplu.com)

C66

**Parker Hannifin Corporation**  
 Pneumatic Division  
 Richland, Michigan  
[www.parker.com/pneumatics](http://www.parker.com/pneumatics)

**B5 Single & Double Operators – 4-way IEM Aluminum Bar**

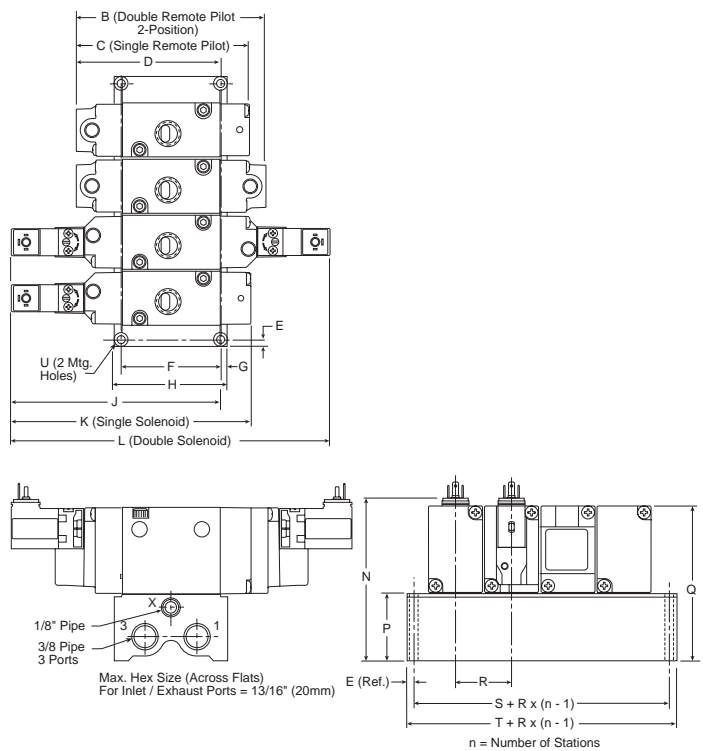


**B5 4-way IEM Aluminum Bar Manifold**

A	B	C	D	E
5.64 (143.3)	4.70 (119.4)	4.37 (110.0)	3.74 (95.0)	.18 (4.6)
F	G	H	J	K
2.78 (70.6)	.17 (4.3)	3.12 (79.2)	5.15 (130.8)	5.78 (146.8)
L	M	N	P	Q
7.52 (191.0)	8.46 (214.9)	3.50 (89.0)	1.44 (36.6)	3.36 (85.3)
R	S	T	U	
1.26 (32.0)	1.78 (45.2)	2.14 (54.4)	Ø .22 Ø (5.5)	

Inches (mm)

**B5 Single & Double Operators – 3-way IEM Aluminum Bar**



**B5 3-way IEM Aluminum Bar Manifold**

B	C	D	E	F
4.21 (106.9)	3.88 (98.6)	3.41 (86.6)	.18 (4.6)	2.12 (53.8)
G	H	J	K	L
.17 (4.3)	2.46 (62.5)	4.82 (122.4)	5.29 (134.4)	7.03 (178.6)
N	P	Q	R	S
3.50 (89.0)	1.44 (36.6)	3.36 (85.3)	1.26 (32.0)	1.76 (44.7)
T	U			
2.12 (53.8)	Ø .18 Ø (4.6)			

Inches (mm)

C

Inline Valves

---

Viking Lite

---

Viking Extreme

---

"B" Series

---

Air Saver Unit

---

ADEX Series

---

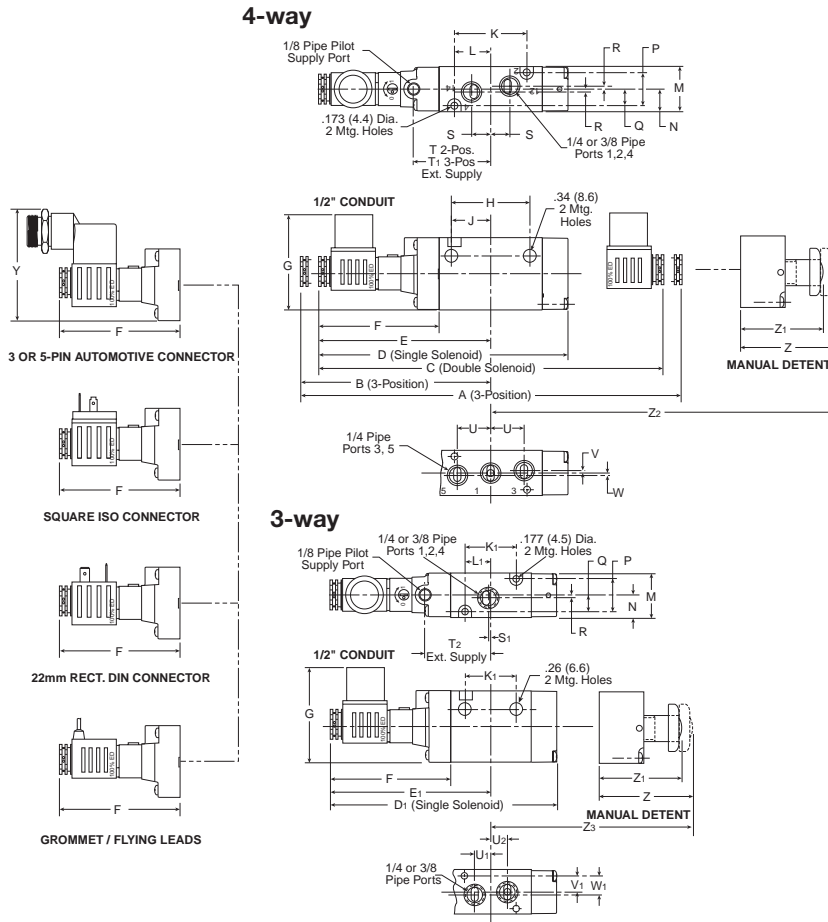
"N" Series



For inventory, lead time, and kit lookup, visit [www.pdnplu.com](http://www.pdnplu.com)



**B5 3 & 4-way Alternative Electrical Enclosures**

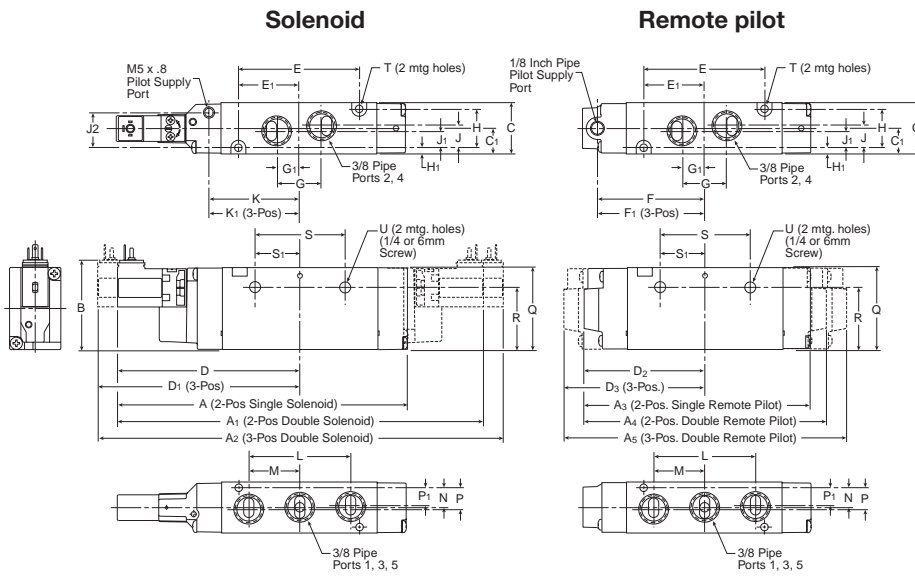


**B5 Alternative – Electrical Enclosures**

<b>A</b>	<b>A1</b>	<b>B</b>	<b>C</b>	<b>D</b>
9.94 (252.5)	.872 (221.4)	4.97 (126.2)	9.00 (228.6)	6.52 (165.6)
<b>D1</b>	<b>E</b>	<b>E1</b>	<b>F</b>	<b>G</b>
6.02 (152.9)	4.50 (114.3)	4.26 (108.1)	3.15 (80.0)	2.47 (62.8)
<b>H</b>	<b>J</b>	<b>K</b>	<b>K1</b>	<b>L</b>
2.05 (52.1)	1.03 (26.2)	1.89 (48.0)	1.40 (35.5)	.95 (24.1)
<b>L1</b>	<b>M</b>	<b>N</b>	<b>P</b>	<b>Q</b>
.70 (17.8)	1.18 (30.0)	.59 (15.0)	.87 (22.1)	.43 (10.9)
<b>R</b>	<b>S</b>	<b>S1</b>	<b>T</b>	<b>T1</b>
.08 (2.0)	.50 (12.7)	.06 (1.5)	2.01 (51.1)	2.47 (62.7)
<b>T2</b>	<b>U</b>	<b>U1</b>	<b>U2</b>	<b>V</b>
1.76 (44.8)	.87 (22.1)	.43 (10.9)	.45 (11.3)	.06 (1.5)
<b>V1</b>	<b>W</b>	<b>W1</b>	<b>Y</b>	<b>Z</b>
.37 (9.3)	.07 (1.8)	.50 (13)	2.90 (73.6)	2.40 (60.9)
<b>Z1</b>	<b>Z2</b>	<b>Z3</b>		
2.12 (53.8)	3.75 (95.2)	4.17 (105.8)		

Inches (mm)

**B6 Single & Double Operators – 4-way Inline**



**B6 4-way Inline**

<b>A</b>	<b>A1</b>	<b>A2</b>	<b>A3</b>	<b>A4</b>
6.67 (169.5)	8.41 (213.7)	9.35 (237.6)	5.26 (133.7)	5.59 (142.1)
<b>A5</b>	<b>B</b>	<b>C</b>	<b>C1</b>	<b>D</b>
6.54 (166)	2.06 (52)	1.18 (30.0)	.59 (15)	4.21 (106.8)
<b>D1</b>	<b>D2</b>	<b>D3</b>	<b>E</b>	<b>E1</b>
4.68 (118.8)	2.80 (71)	3.27 (83.0)	2.79 (70.8)	1.39 (35.4)
<b>F</b>	<b>F1</b>	<b>G</b>	<b>G1</b>	<b>H</b>
2.45 (62.3)	2.92 (74.3)	1.03 (26.1)	.51 (13.1)	.91 (23)
<b>H1</b>	<b>J</b>	<b>J1</b>	<b>J2</b>	<b>K</b>
.14 (3.5)	.51 (13.1)	.39 (10)	.81 (20.6)	2.09 (53)
<b>K1</b>	<b>L</b>	<b>M</b>	<b>N</b>	<b>P</b>
2.56 (64.9)	2.34 (59.4)	1.17 (29.7)	.45 (11.5)	.49 (12.5)
<b>P1</b>	<b>Q</b>	<b>R</b>	<b>S</b>	<b>S1</b>
.41 (10.5)	1.89 (48)	1.45 (36.8)	2.09 (53)	1.04 (26.5)

**T**  
 Ø .17    Ø .27  
 Ø (4.4)    Ø (6.9)  
 Inches (mm)

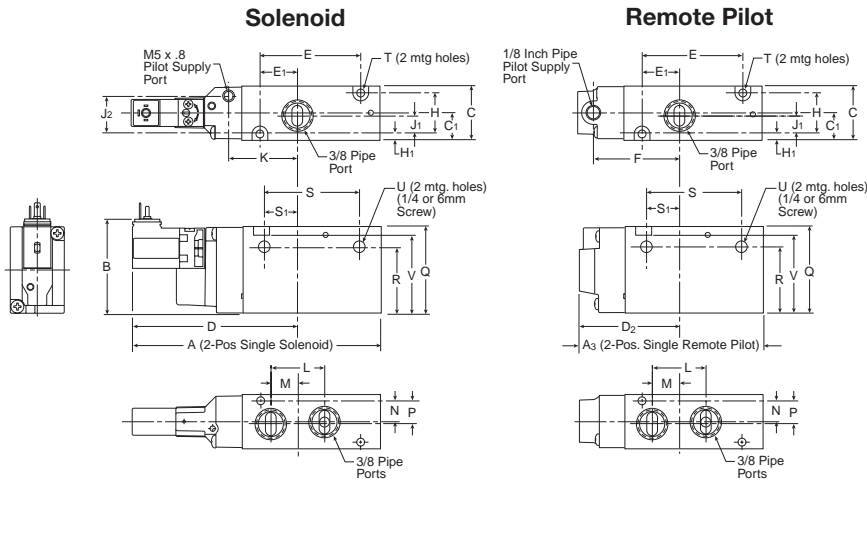


For inventory, lead times, and kit lookup, visit [www.pdnplu.com](http://www.pdnplu.com)

C68

**Parker Hannifin Corporation**  
 Pneumatic Division  
 Richland, Michigan  
[www.parker.com/pneumatics](http://www.parker.com/pneumatics)

**B6 Single Operators – 3-way Inline**

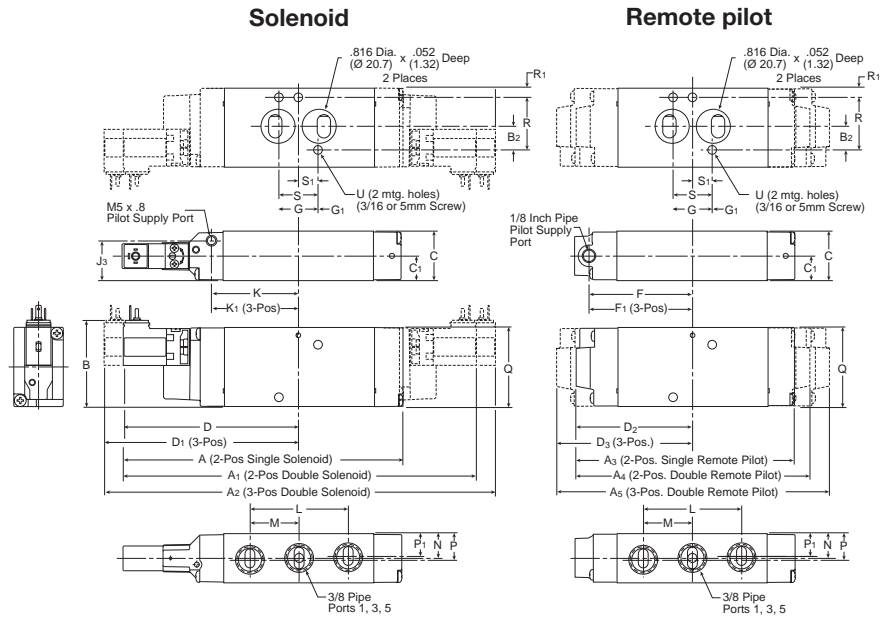


**B6 3-way Inline**

<b>A</b>	<b>A3</b>	<b>B</b>	<b>C</b>	<b>C1</b>
5.42 (137.7)	4.01 (101.9)	2.06 (52)	1.18 (30.0)	.59 (15.0)
<b>D</b>	<b>D2</b>	<b>E</b>	<b>E1</b>	<b>F</b>
3.63 (92.1)	2.22 (56.3)	2.19 (55.6)	0.82 (20.7)	1.87 (47.6)
<b>H</b>	<b>H1</b>	<b>J1</b>	<b>J2</b>	<b>K</b>
.91 (23.0)	.14 (3.5)	.39 (10.0)	.81 (20.6)	1.51 (38.3)
<b>L</b>	<b>M</b>	<b>N</b>	<b>P</b>	<b>Q</b>
1.17 (29.7)	.59 (15.0)	.45 (11.5)	.49 (12.5)	1.89 (48.0)
<b>R</b>	<b>S</b>	<b>S1</b>	<b>T</b>	<b>U</b>
1.45 (36.8)	2.09 (53.0)	0.76 (19.4)	Ø .17 Ø (4.4)	Ø .27 Ø (6.9)
<b>V</b>				
1.69 (43.0)				

Inches (mm)

**B6 Single & Double Operators – 4-way NAMUR Mount**

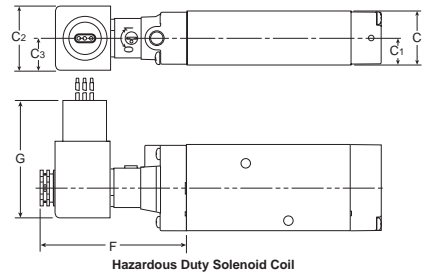


**B6 4-way NAMUR Mount**

<b>A</b>	<b>A1</b>	<b>A2</b>	<b>A3</b>	<b>A4</b>
6.67 (169.5)	8.41 (213.7)	9.35 (237.6)	5.26 (133.7)	5.59 (142.1)
<b>A5</b>	<b>B</b>	<b>B2</b>	<b>C</b>	<b>C1</b>
6.54 (166.0)	2.06 (52)	.57 (14.4)	1.18 (30.0)	.59 (15)
<b>D</b>	<b>D1</b>	<b>D2</b>	<b>D3</b>	<b>F</b>
4.21 (106.8)	4.68 (118.8)	2.80 (71.0)	3.27 (83.0)	2.45 (62.3)
<b>F1</b>	<b>G</b>	<b>G1</b>	<b>J3</b>	<b>K</b>
2.92 (74.3)	.95 (24.2)	.02 (0.53)	.95 (24.1)	2.09 (53.0)
<b>K1</b>	<b>L</b>	<b>M</b>	<b>N</b>	<b>P</b>
2.56 (64.9)	2.34 (59.4)	1.17 (29.7)	.59 (15)	.63 (16)
<b>P1</b>	<b>Q</b>	<b>R</b>	<b>R1</b>	<b>S</b>
.55 (14)	1.89 (48.0)	1.26 (32)	.22 (5.5)	.94 (24)
<b>S1</b>	<b>T</b>	<b>U</b>		
.47 (12)	Ø .17 Ø (4.4)	Ø .27 Ø (6.9)		

Inches (mm)

**B6 Alternative Electrical Enclosure Option F**



**B6 4-way NAMUR Mount with Option F Enclosure**

<b>C</b>	<b>C1</b>	<b>C2</b>	<b>C3</b>	<b>F</b>
1.18 (30)	.59 (15)	1.42 (36)	.71 (18)	3.15 (80)
<b>G</b>				
2.60 (66)				

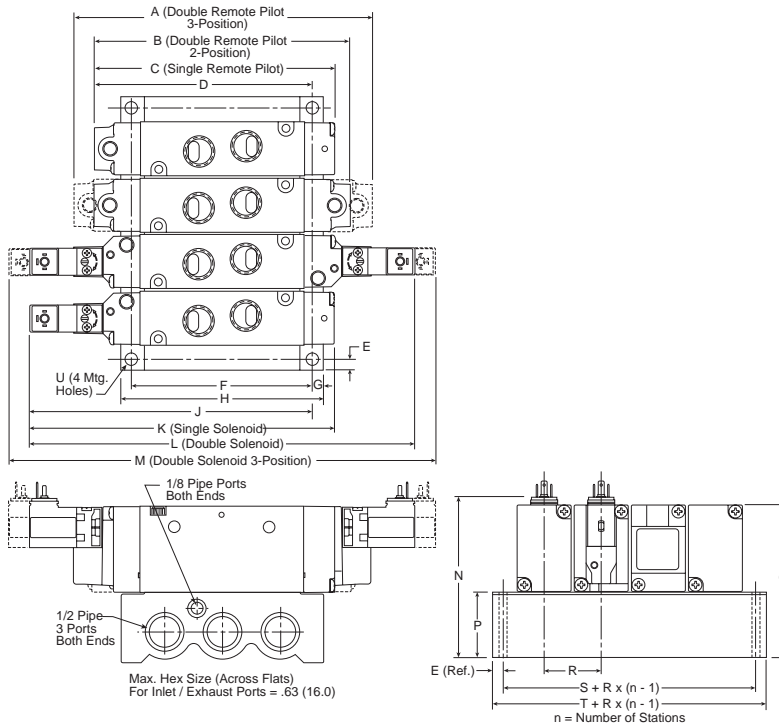
Inches (mm)

**C**  
 Inline Valves  
 Viking Lite  
 Viking Extreme  
 "B" Series  
 Air Saver Unit  
 ADEX Series  
 "N" Series



For inventory, lead time, and kit lookup, visit [www.pdnplu.com](http://www.pdnplu.com)

**B6 Single & Double Operators – 4-way IEM Aluminum Bar**

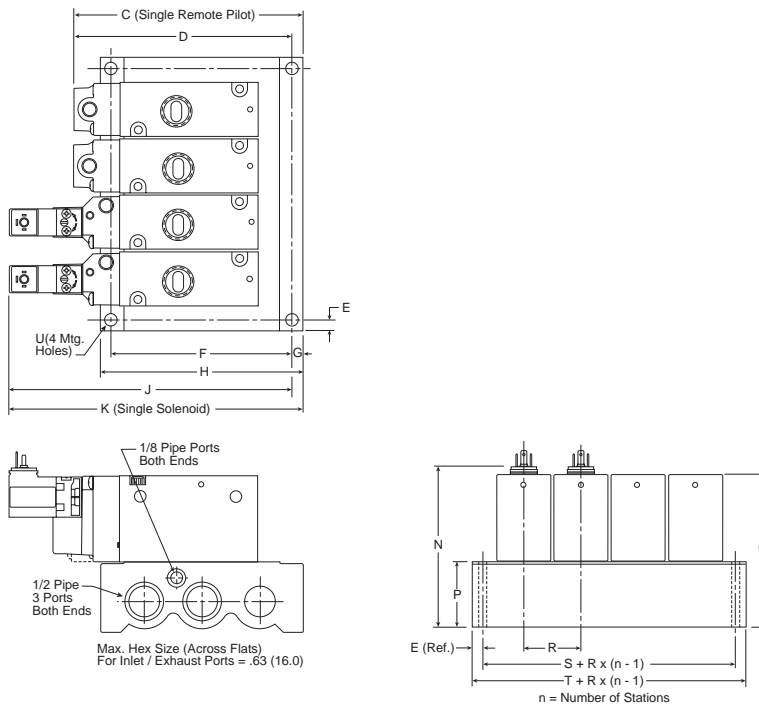


**B6 4-way IEM Aluminum Bar Manifold**

A	B	C	D	E
6.54 (166.0)	5.59 (142.1)	5.26 (133.7)	4.76 (121.0)	.24 (6.0)
F	G	H	J	K
3.94 (100.0)	.24 (6.0)	4.41 (112.0)	6.17 (156.8)	6.67 (169.5)
L	M	N	P	Q
8.41 (213.7)	9.35 (237.6)	3.60 (91.3)	1.54 (39.0)	3.43 (87.0)
R	S	T	U	
1.24 (31.5)	1.77 (45.0)	2.24 (57.0)	∅ .26 ∅ (6.5)	

Inches (mm)

**B6 Single Operators – 3-way IEM Aluminum Bar**

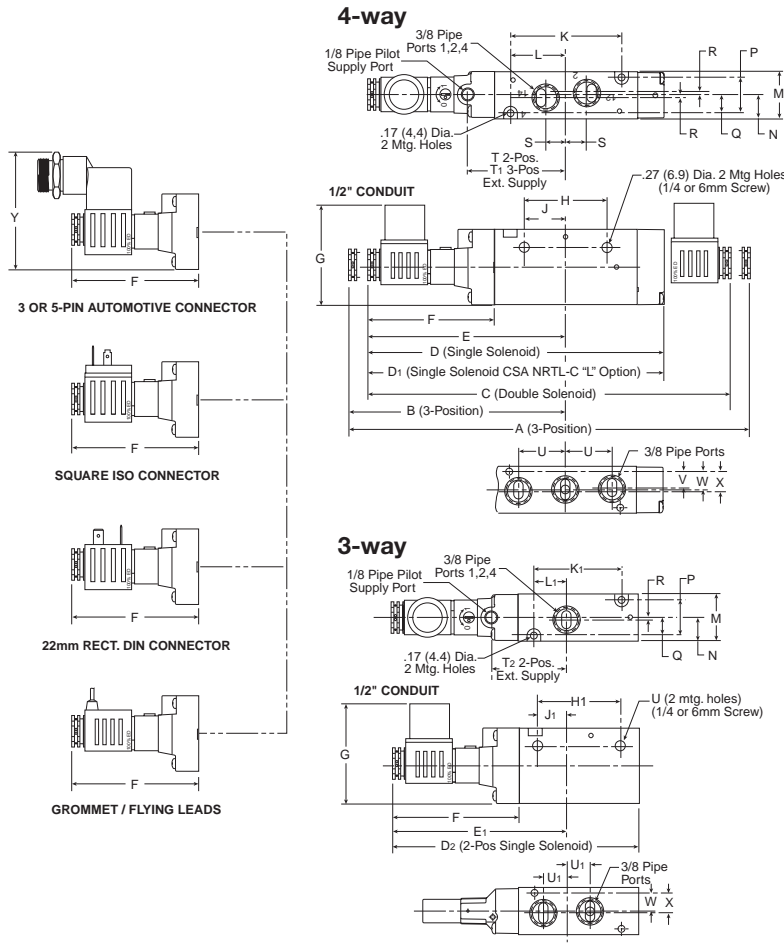


**B6 3-way IEM Aluminum Bar Manifold**

C	D	E	F	G
5.00 (127.0)	4.76 (121.0)	.24 (6.0)	3.94 (100.0)	.24 (6.0)
H	J	K	N	P
4.41 (112.0)	6.17 (156.8)	6.41 (162.8)	3.60 (91.3)	1.54 (39.0)
Q	R	S	T	U
3.43 (87.0)	1.24 (31.5)	1.77 (45.0)	2.24 (57.0)	∅ .26 ∅ (6.5)

Inches (mm)

**B6 3 & 4-way Alternative Electrical Enclosures**

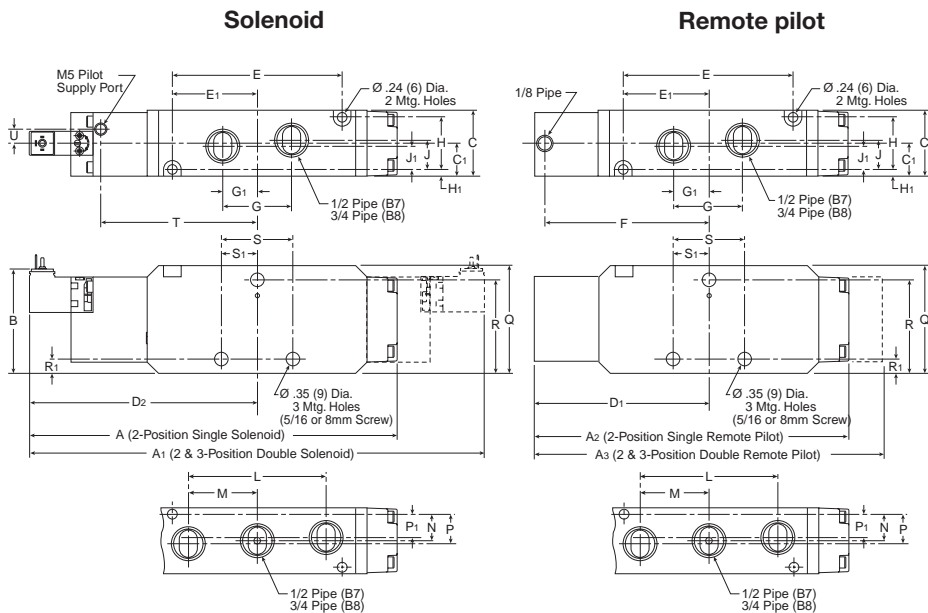


**B6 Alternative – Electrical Enclosures**

<b>A</b>	<b>B</b>	<b>C</b>	<b>D</b>	<b>D1</b>
10.84 (275.3)	5.41 (137.5)	9.89 (251.3)	7.41 (188.2)	7.74 (196.6)
<b>D2</b>	<b>E</b>	<b>E2</b>	<b>F</b>	<b>G</b>
6.17 (156.6)	4.94 (125.6)	4.37 (111.0)	3.15 (80.0)	2.47 (62.8)
<b>H</b>	<b>H1</b>	<b>J</b>	<b>J1</b>	<b>K</b>
2.09 (53.0)	2.09 (53.0)	1.04 (26.5)	0.76 (19.4)	2.79 (70.8)
<b>K1</b>	<b>L</b>	<b>L1</b>	<b>M</b>	<b>N</b>
2.19 (55.6)	1.39 (35.4)	.82 (20.7)	1.18 (30.0)	.59 (15.0)
<b>P</b>	<b>Q</b>	<b>R</b>	<b>S</b>	<b>T</b>
.91 (23.0)	.45 (11.5)	.06 (1.6)	.51 (13.1)	2.45 (62.3)
<b>T1</b>	<b>T2</b>	<b>U</b>	<b>U1</b>	<b>V</b>
2.93 (29.7)	1.89 (48.0)	.59 (15.0)	.59 (15.0)	.41 (10.5)
<b>W</b>	<b>X</b>	<b>Y</b>		
.45 (11.5)	.49 (12.5)	2.90 (73.6)		

Inches (mm)

**B7& B8 Single & Double Operators – 4-way Inline**



**B7 & B8 4-way Inline**

<b>A</b>	<b>A1</b>	<b>A2</b>	<b>A3</b>	<b>B</b>
9.13 (232)	11.29 (287)	7.79 (198)	8.62 (219)	2.59 (66)
<b>C</b>	<b>C1</b>	<b>D1</b>	<b>D2</b>	<b>E</b>
1.65 (42)	.83 (21)	4.29 (109)	5.63 (143)	4.21 (107)
<b>E1</b>	<b>F</b>	<b>G</b>	<b>G1</b>	<b>H</b>
2.13 (54)	4.06 (103)	1.73 (44)	.87 (22)	1.29 (33)
<b>H1</b>	<b>J</b>	<b>J1</b>	<b>L</b>	<b>M</b>
.16 (4)	.75 (19)	.59 (15)	3.39 (86)	1.69 (43)
<b>N</b>	<b>P</b>	<b>P1</b>	<b>Q</b>	<b>R</b>
.67 (17)	.75 (19)	.59 (15)	2.68 (68)	2.32 (59)
<b>R1</b>	<b>S</b>	<b>S1</b>	<b>T</b>	<b>U</b>
.35 (9)	1.81 (46)	.90 (23)	3.94 (100)	.35 (9)

Inches (mm)



For inventory, lead time, and kit lookup, visit [www.pdnplu.com](http://www.pdnplu.com)

C71

**Parker Hannifin Corporation**  
 Pneumatic Division  
 Richland, Michigan  
[www.parker.com/pneumatics](http://www.parker.com/pneumatics)

C

Inline Valves

Viking Lite

Viking Extreme

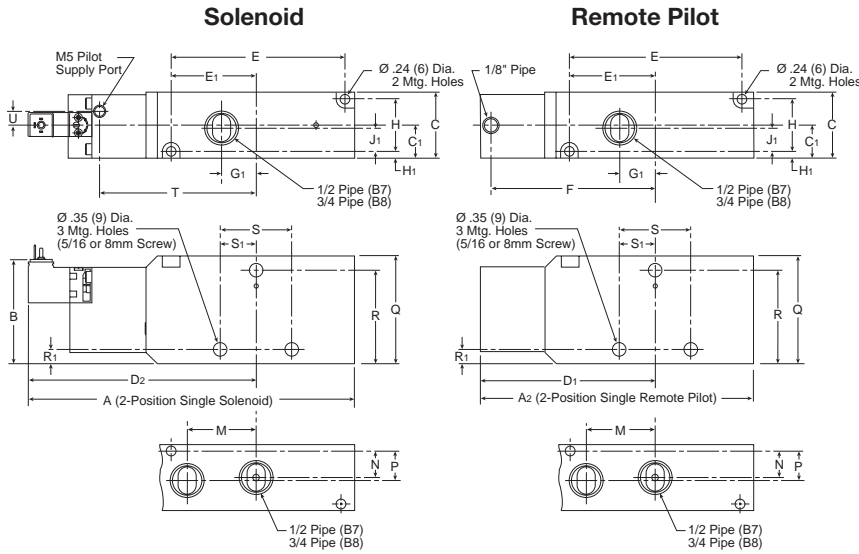
"B" Series

Air Saver Unit

ADEX Series

"N" Series

**B7 & B8 Single Operators – 3-way Inline**

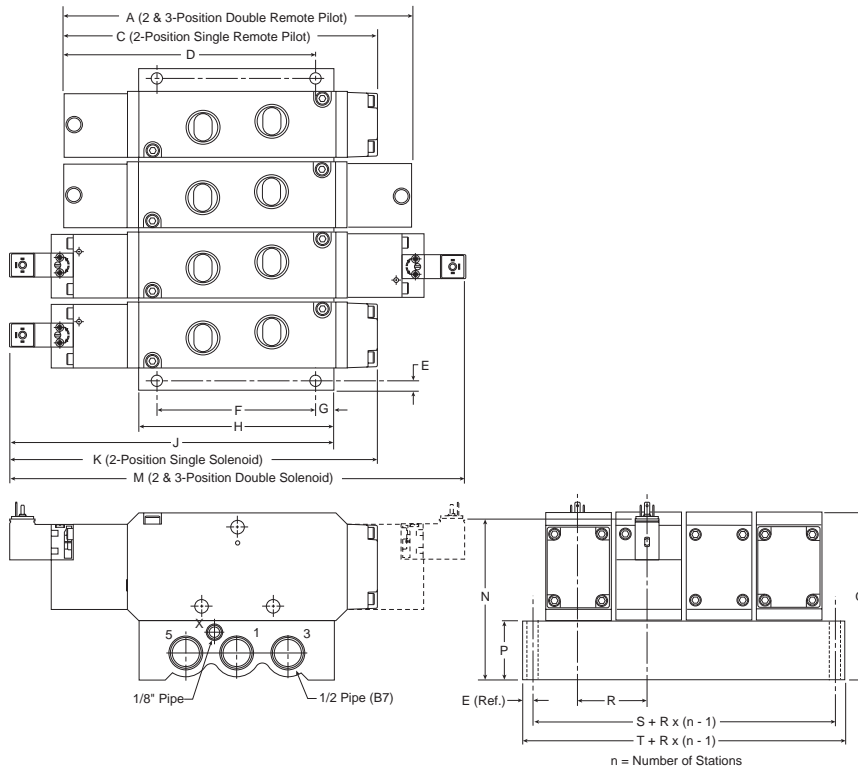


**B7 & B8 3-way Inline**

<b>A</b>	<b>A<sub>2</sub></b>	<b>B</b>	<b>C</b>	<b>C<sub>1</sub></b>
7.99 (203)	6.65 (169)	2.59 (66)	1.65 (42)	.83 (21)
<b>D<sub>1</sub></b>	<b>D<sub>2</sub></b>	<b>E</b>	<b>E<sub>1</sub></b>	<b>F</b>
4.29 (109)	5.63 (143)	4.21 (107)	2.13 (54)	4.06 (103)
<b>G<sub>1</sub></b>	<b>H</b>	<b>H<sub>1</sub></b>	<b>J<sub>1</sub></b>	<b>M</b>
.86 (22)	1.29 (33)	.16 (4)	.59 (15)	1.69 (43)
<b>N</b>	<b>P</b>	<b>Q</b>	<b>R</b>	<b>R<sub>1</sub></b>
.67 (17)	.75 (19)	2.68 (68)	2.32 (59)	.35 (9)
<b>S</b>	<b>S<sub>1</sub></b>	<b>T</b>	<b>U</b>	
1.81 (46)	.90 (23)	3.94 (100)	.35 (9)	

Inches (mm)

**B7 & B8 Single & Double Operators – 4-way IEM Aluminum Bar**

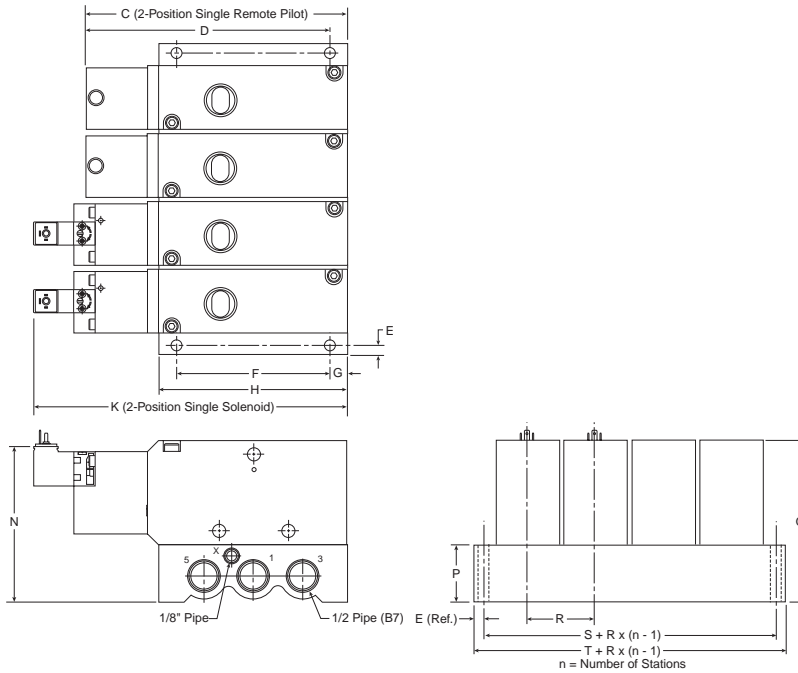


**B7 & B8 4-way IEM  
 Aluminum Bar Manifold**

<b>A</b>	<b>C</b>	<b>D</b>	<b>E</b>	<b>F</b>
7.79 (198)	8.62 (219)	6.26 (159)	.24 (6)	3.94 (100)
<b>G</b>	<b>H</b>	<b>J</b>	<b>K</b>	<b>M</b>
.45 (11.5)	4.84 (123)	8.07 (205)	9.13 (232)	11.29 (287)
<b>N</b>	<b>P</b>	<b>Q</b>	<b>R</b>	<b>S</b>
4.00 (101.5)	1.48 (37.5)	4.15 (105.5)	1.77 (45)	2.24 (57)
<b>T</b>				
2.72 (69)				

Inches (mm)

**B7 & B8 Single Operators – 3-way IEM Aluminum Bar**

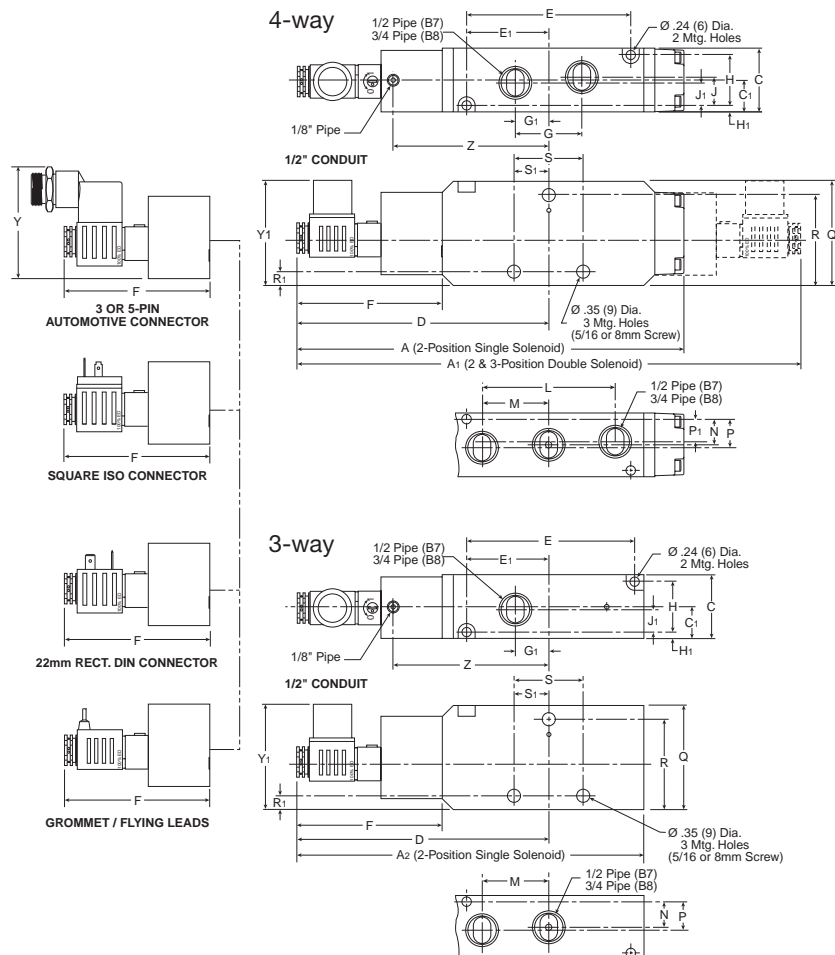


**B7 & B8 3-way IEM Aluminum Bar Manifold**

C	D	E	F	G
6.65 (169)	4.92 (124.9)	.24 (6)	3.94 (100)	.45 (11.5)
H	K	N	P	Q
4.84 (123)	7.99 (203)	4.00 (101.5)	1.48 (37.5)	4.15 (105.5)
R	S	T		
1.77 (45)	2.24 (57)	2.72 (69)		

Inches (mm)

**B7 & B8 3 & 4-way Alternative Electrical Enclosures**



**B7 & B8 3 & 4-way Alternative Electrical Enclosures**

A	A <sub>1</sub>	A <sub>2</sub>	C	C <sub>1</sub>
9.92 (252)	12.91 (328)	8.78 (223)	1.65 (42)	.83 (21)
D	E	E <sub>1</sub>	F	G
6.46 (164)	4.21 (107)	2.13 (54)	3.74 (95)	1.73 (44)
G <sub>1</sub>	H	H <sub>1</sub>	J	J <sub>1</sub>
.86 (22)	1.29 (33)	.16 (4)	.75 (19)	.59 (15)
L	M	N	P	P <sub>1</sub>
3.39 (86)	1.69 (43)	.67 (17)	.75 (19)	.59 (15)
Q	R	R <sub>1</sub>	S	S <sub>1</sub>
2.68 (68)	2.32 (59)	.35 (9)	1.81 (46)	.90 (23)
Y	Y <sub>1</sub>	Z		
2.87 (73)	2.71 (69)	3.98 (101)		

Inches (mm)

**C**

**Inline Valves**

---

**Viking Lite**

---

**Viking Extreme**

---

**"B" Series**

---

**Air Saver Unit**

---

**ADEX Series**

---

**"N" Series**



For inventory, lead time, and kit lookup, visit [www.pdnplu.com](http://www.pdnplu.com)

C73

**Parker Hannifin Corporation**  
 Pneumatic Division  
 Richland, Michigan  
[www.parker.com/pneumatics](http://www.parker.com/pneumatics)



**Features**

**Air Saver Unit**

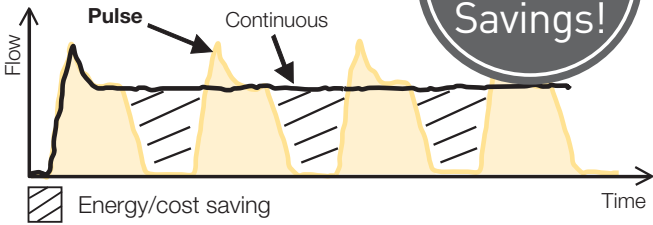
**An easy solution to your environmental protection efforts!**  
**The Air Saver Unit contributes to power savings and CO<sub>2</sub> reduction.**

**Parker Air Saver Unit**

Up to **50%\*** Savings!

**Pulsing air technology reduces consumption.**

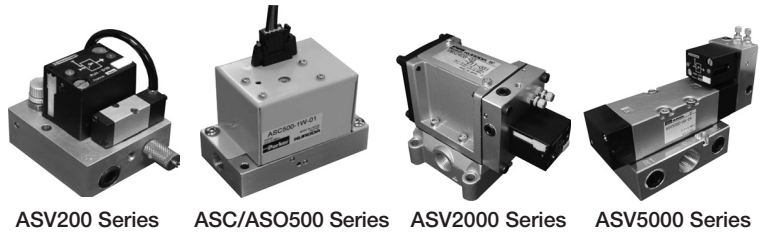
The Air Saver Unit is a valve that converts a continuous air blow to a pulsed air blow without the need for any other external control. Air is blown with a series of ON and OFF pulses. When the blow is OFF, there is no air consumption.



When using an Air Saver Unit several significant benefits can be achieved. Air blowing accounts for almost 50% of all compressed air used in plants. By using switching valve technology the Air Saver Unit can reduce air consumption by up to 50%!

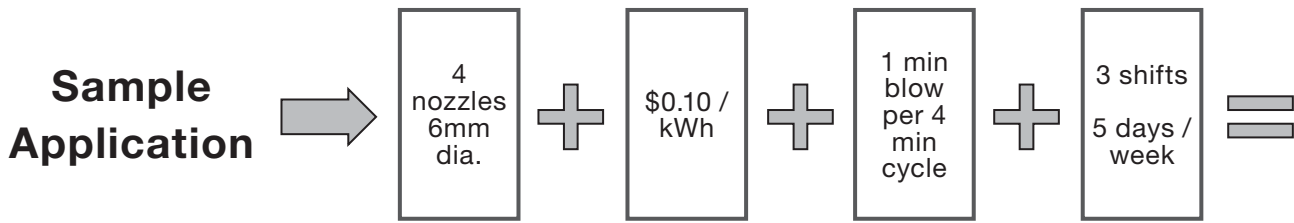
\* To achieve the benefits of pulsed air, the Air Saver Unit should be installed no more than 3 meters away from the air blow orifice. For optimal results install within 1 meter.

- Large reductions in air consumption.
- Savings in compressor power consumption.
- Reduction in plant CO<sub>2</sub> emissions.
- Big contribution to energy-saving activities.
- Improved efficiency.



C  
 Inline Valves  
 Viking Lite  
 Viking Extreme  
 "B" Series  
 Air Saver Unit  
 ADEX Series  
 "N" Series

Try our fast and easy online savings calculator! [www.linktovms.com/airsaver](http://www.linktovms.com/airsaver)



ENGINEERING YOUR SUCCESS.

Prepared for \_\_\_\_\_ Prepared by \_\_\_\_\_ **Air Saver Unit Valve Calculator Summary Sheet**

**VALUE IMPACT SUMMARY**

Reduced Total Annual Air Discharge Per Blowing Nozzle (cfm) by:	3,232,005
Reduced Annual CO <sub>2</sub> Emissions Generated (Per Blowing Nozzle - in Tons) by:	5.77 tons
Reduced Annual Air Generating Costs Per Blowing Nozzle by:	\$ 892.03
Quantity of Air Blowing Nozzles With Same Application Specifications	4
Reduced Annual Air Generating Costs For All Nozzles by:	<b>\$ 3,568.13</b>
Reduced Annual CO <sub>2</sub> Emissions Generated (For All Blowing Nozzles) by:	<b>23.07</b>



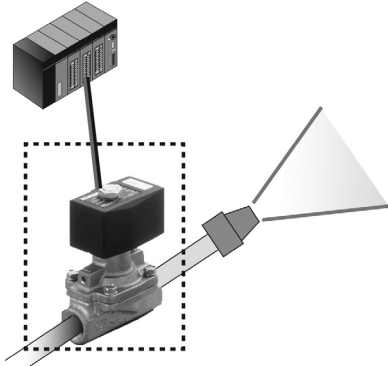
For inventory, lead times, and kit lookup, visit [www.pdnplu.com](http://www.pdnplu.com)

**Features**

**Installation is simple and reduction in air consumption can be realized immediately.**

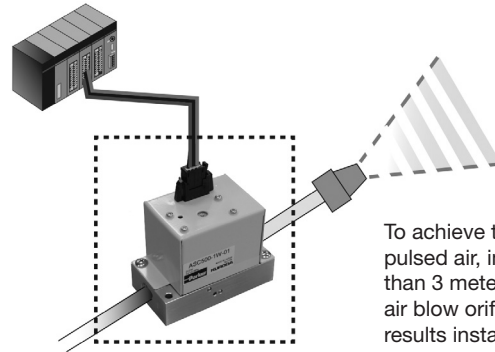
- When using an electrically operated solenoid valve to control the air blow, an Air Saver Unit can quickly and easily be retrofitted providing an immediate reduction in air consumption with no changes to the PLC program.

*Before introduction of the unit*



*After introduction of the unit*

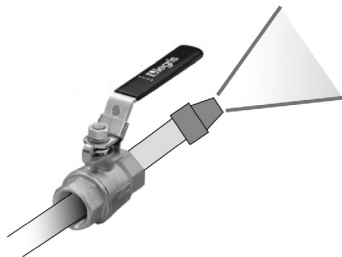
- Easy to install. Change the current solenoid valve to Air Saver Unit. (ASC500 or ASO500)
- Program change of controller is not necessary.



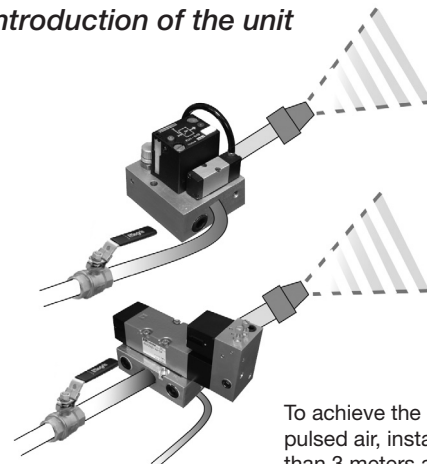
To achieve the benefits of pulsed air, install no more than 3 meters away from the air blow orifice. For optimal results install within 1 meter.

- When using manual valves such as ball valves, simply install either ASV200, ASV500 or ASV2000 units which do not need electrical power. Installing the unit brings immediate reduction in air consumption and improved compressor efficiency.

*Before introduction of the unit*



*After introduction of the unit*



To achieve the benefits of pulsed air, install no more than 3 meters away from the air blow orifice. For optimal results install within 1 meter.

**[Company A] Food & Beverage manufacturer**

“When we tested ASV5000, we achieved about 55% reduction of our air consumption. Because air blow efficiency was improved, we plan to use more Air Saver Units in other areas in the plant”.








**[Company B] Manufacturer of office document machines**

“We are working on energy-saving activities. In those activities, we decided to use an Air Saver Unit. We have more than 100 points of air blow and we reduced our air consumption by 42% using this unit”.



C	Inline Valves
	Viking Lite
	Viking Extreme
	“B” Series
	Air Saver Unit
	ADEX Series
	“N” Series

**Specifications**

								Unit
<b>Function</b>	Normally closed						Normally open	--
<b>Fluid</b>	Non lubricated air							--
<b>Flow (at 72.5 psi)</b>	5.3	70.6	176.6	459.1	529.7	15.9	15.9	scfm
<b>Adjustable pulse frequency</b>	Up to 5	Up to 5	Up to 5	Up to 1	Up to 1	2-22	2-22	Hz
<b>Port size</b>	M5	3/8"	1/2"	1"	1-1/4"	1/8"	1/8"	NPT (BSPP)
<b>Operating temperature</b>	23 to 122							° F
<b>Pressure range</b>	43.5 - 116	0 - 116				29 - 101.5	29 - 72.5	PSI
<b>Pilot air supply</b>	Internal pilot	43.5 - 116 *				Internal pilot		PSI
<b>Blow</b>	Pulse blow					Pulse/Continuous blow		--
<b>Rated voltage</b>	Electrical power is not necessary					DC 24 V		V
<b>Power consumption</b>	-					1.2 W		W
<b>Grade of Insulation</b>	-					NEMA 1		--
<b>Permissible voltage fluctuation</b>	-					+ or - 10		%
<b>Wiring</b>	-					e-CON standard 4 pole sockets		--
<b>Filtration</b>	Dry w/ 40 µm filtration †							--

**Notes:**

\* External pilot of 43.5 - 116 is required, to ensure proper operation.

† For maximum life of the unit we recommend 5 micron, but 40 micron filtration is acceptable and will not void warranty.

To achieve the benefits of pulsed air, the Air Saver Unit should be installed no more than 3 meters away from the air blow orifice. For optimal results install within 1 meter.

C  
 Inline Valves  
 Viking Lite  
 Viking Extreme  
 "B" Series  
 Air Saver Unit  
 ADEX Series  
 "N" Series



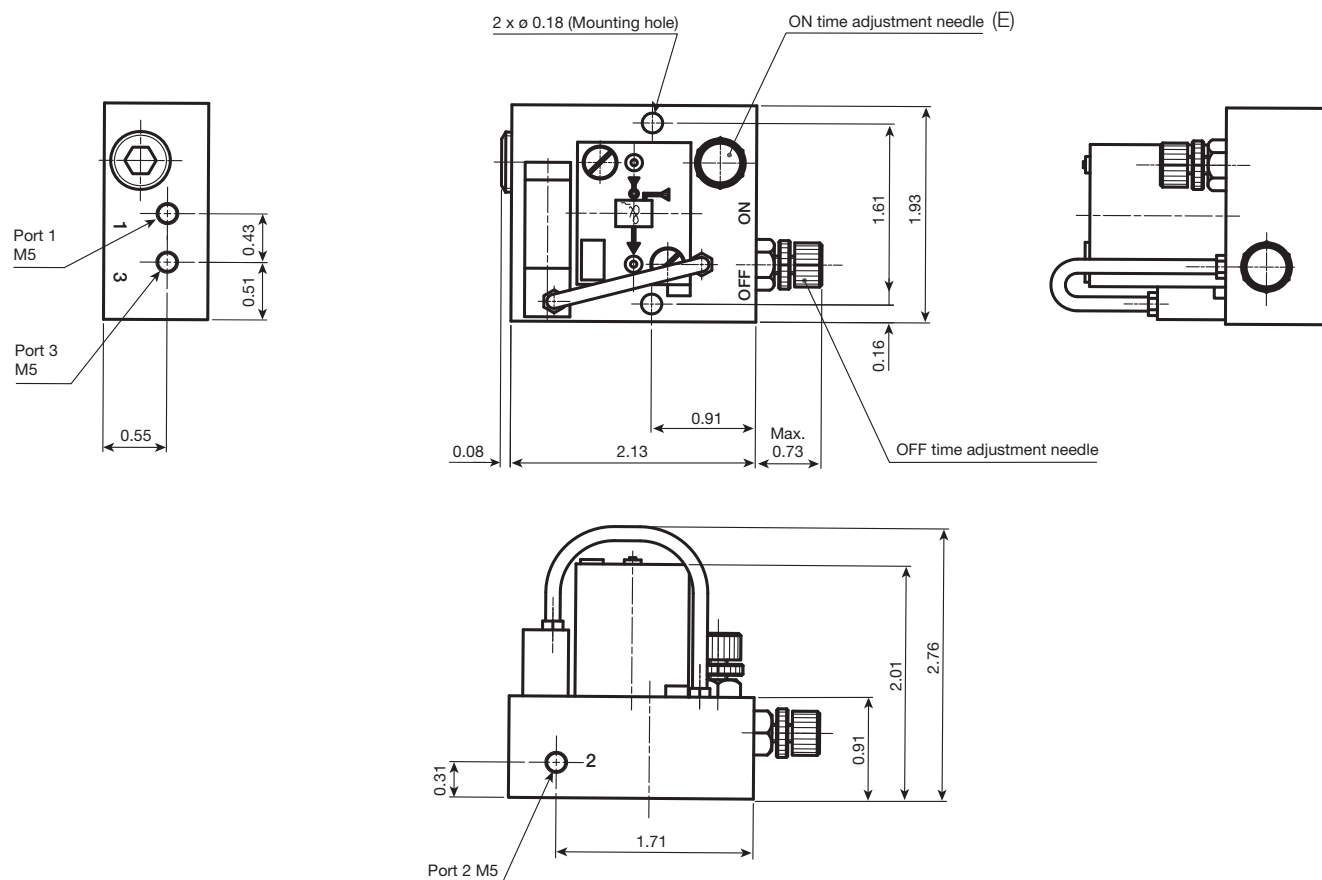
For inventory, lead times, and kit lookup, visit [www.pdnplu.com](http://www.pdnplu.com)



Ordering Information ASV200-AA-M5

Function	Fluid	Flow @ 72.5 psi	Port size	Operating temperature	Pressure range, psi	Pilot air supply, psi	Blow type	Grease	Part number
Normally closed	Dry air	5.3 scfm	M5	23-122°F (A)	43.5-116	Internal pilot	Pulse	Food grade	<b>ASV200-AA-M5</b>
								Petrolatum (B), (for painting applications) (C), (D)	<b>WPASV200-AA-M5</b>

Dimensions: ASV200-AA-M5



Piping

- Port 1: Supply port (Compressor side)
- Port 2: Output port (Blow nozzle side)
- Port 3: Exhaust port\*

\* In order to keep out dust, the air muffler is recommended for exhaust port.

Notes:

- A. When temperature of valve goes below 5°C (41°F), complete dry air shall be supplied to prevent from freezing.
- B. Air Saver Units with WP prefix are suitable for most painting applications. Test before use if in direct contact with painted surface.
- C. If test in painting application fails, try cycling Air Saver Unit for 48 hours and repeat test.
- D. DO NOT use "WP" Air Saver Unit in 'clear coat' applications.
- E. Adjustable to maximum frequency of 5Hz.

  Most popular.



For inventory, lead time, and kit lookup, visit [www.pdnplu.com](http://www.pdnplu.com)

C77

**Parker Hannifin Corporation**  
 Pneumatic Division  
 Richland, Michigan  
[www.parker.com/pneumatics](http://www.parker.com/pneumatics)

C

Inline Valves

Viking Lite

Viking Extreme

"B" Series

Air Saver Unit

ADEX Series

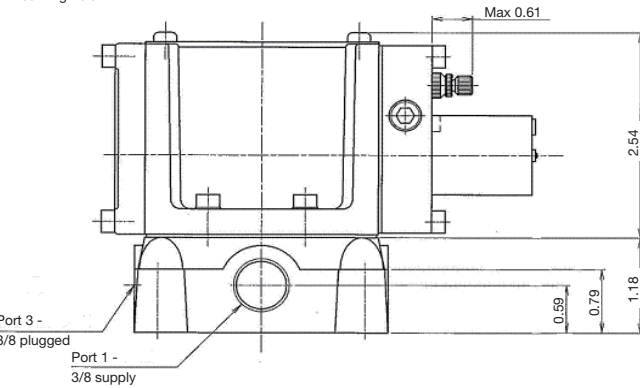
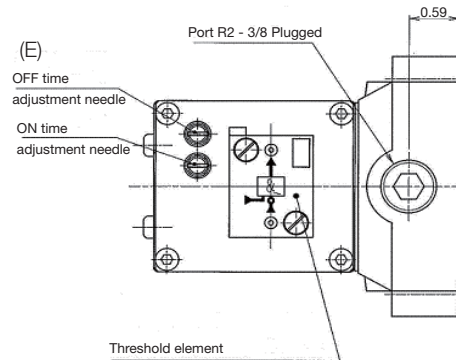
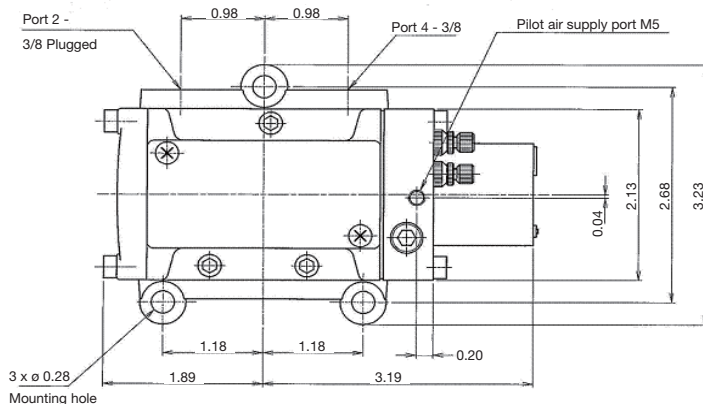
"N" Series



Ordering Information ASV2000-AA-xx

Function	Fluid	Flow @ 72.5 psi	Port size	Operating temperature	Pressure range, psi	Pilot air supply, psi	Blow type	Grease	Port type	Part number
Normally closed	Dry air	70.6 scfm	3/8"	23-122°F (A)	0-116	43.5-116	Pulse	Standard	NPT	<b>ASV2000-AA-97</b>
									BSP	<b>ASV2000-AA-17</b>
									NPT (B), (C)	<b>WPASV2000-AA-97</b>
									BSP (D)	<b>WPASV2000-AA-17</b>

Dimensions: ASV2000-AA-97 (NPT model)



Piping

- Port 1: Supply port (Compressor side)
- Port 2: Plugged
- Port 3: Plugged
- Port 4: Output port (Blow nozzle side)
- Port R2: Plugged
- Port X: M5 pilot air supply >43.5 psi is required

Notes:

- A. When temperature of valve goes below 5°C (41°F), complete dry air shall be supplied to prevent from freezing.
- B. Air Saver Units with WP prefix are suitable for most painting applications. Test before use if in direct contact with painted surface.
- C. If test in painting application fails, try cycling Air Saver Unit for 48 hours and repeat test.
- D. DO NOT use "WP" Air Saver Unit in 'clear coat' applications.
- E. Adjustable to maximum frequency of 5Hz.

Most popular.



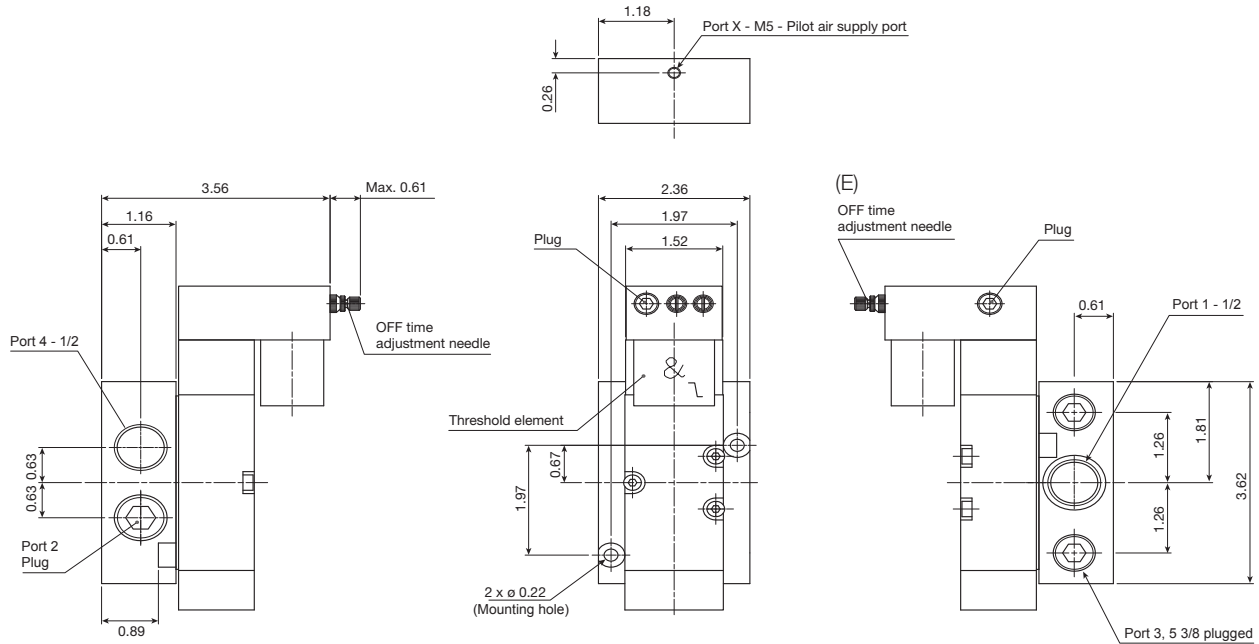
For inventory, lead times, and kit lookup, visit [www.pdnplu.com](http://www.pdnplu.com)



Ordering Information ASV5000-AA-xx

Function	Fluid	Flow @ 72.5 psi	Port size	Operating temperature	Pressure range, psi	Pilot air supply, psi	Blow type	Grease	Port type	Part number
Normally closed	Dry air	176.6 scfm	1/2"	23-122°F (A)	0-116	43.5-116	Pulse	Food grade	NPT	ASV5000-AA-91
									BSP	ASV5000-AA-21
									NPT (B), (C), (D)	WPASV5000-AA-91
									BSP (B), (C), (D)	WPASV5000-AA-21

Dimensions: ASV5000-AA-91 (NPT model)



Piping

- Port 1: Supply port (Compressor side)
- Port 2: Plugged
- Port 3: Plugged
- Port 4: Output port (Blow nozzle side)
- Port 5: Plugged
- Port X: M5 pilot air supply >43.5 psi is required

Notes:

- A. When temperature of valve goes below 5°C (41°F), complete dry air shall be supplied to prevent from freezing.
- B. Air Saver Units with WP prefix are suitable for most painting applications. Test before use if in direct contact with painted surface.
- C. If test in painting application fails, try cycling Air Saver Unit for 48 hours and repeat test.
- D. DO NOT use "WP" Air Saver Unit in 'clear coat' applications.
- E. Adjustable to maximum frequency of 5Hz.

Most popular.



For inventory, lead time, and kit lookup, visit [www.pdnplu.com](http://www.pdnplu.com)

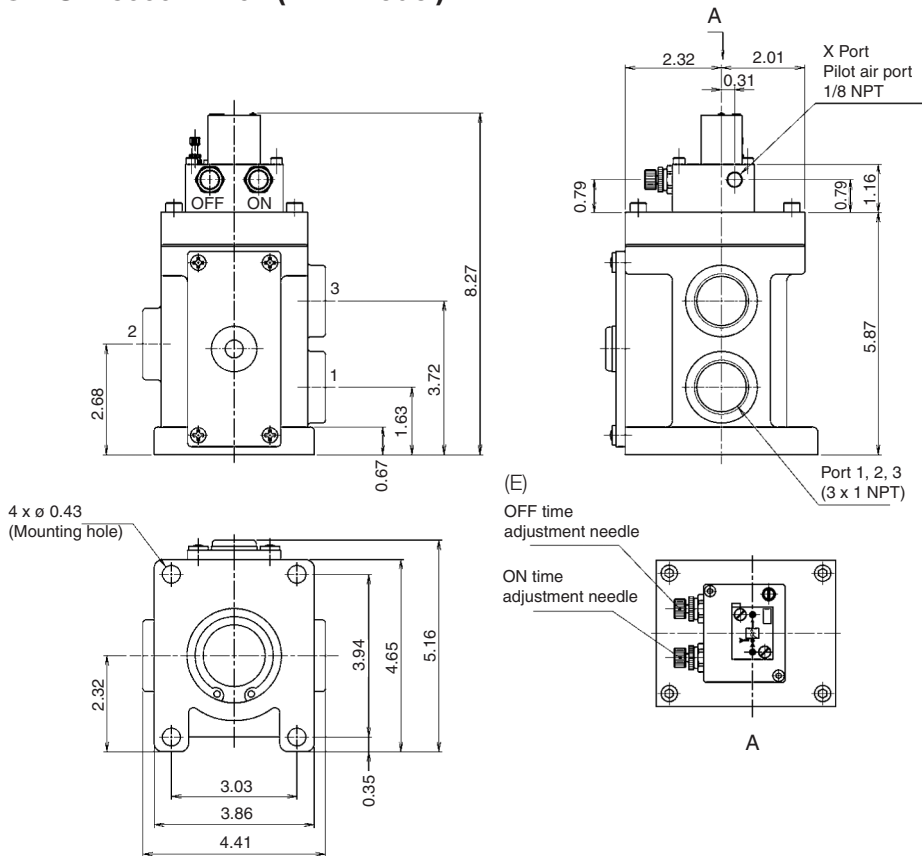




Ordering Information ASV13000-AA-xx

Function	Fluid	Flow @ 72.5 psi	Port size	Operating temperature	Pressure range, psi	Pilot air supply, psi	Blow type	Grease	Port type	Part number	
Normally closed	Dry air	459.1 scfm	1"	23-122°F (A)	0-116	43.5-116	Pulse	Petrolatum (for painting applications)	(B),	NPT	WPASV13000-AA-94
									(C),	BSPB	WPASV13000-AA-34
									(D)		

Dimensions: ASV13000-AA-94 (NPT model)



Piping

- Port 1: Supply port (Compressor side)
- Port 2: Output port (Blow nozzle side)
- Port 3: Plugged
- Port X: 1/8 NPT pilot air supply >43.5 psi is required

Notes:

- A. When temperature of valve goes below 5°C (41°F), complete dry air shall be supplied to prevent from freezing.
- B. Air Saver Units with WP prefix are suitable for most painting applications. Test before use if in direct contact with painted surface.
- C. If test in painting application fails, try cycling Air Saver Unit for 48 hours and repeat test.
- D. DO NOT use "WP" Air Saver Unit in 'clear coat' applications
- E. Adjustable to maximum frequency of 1Hz.

Most popular.



For inventory, lead times, and kit lookup, visit [www.pdnplu.com](http://www.pdnplu.com)

C80

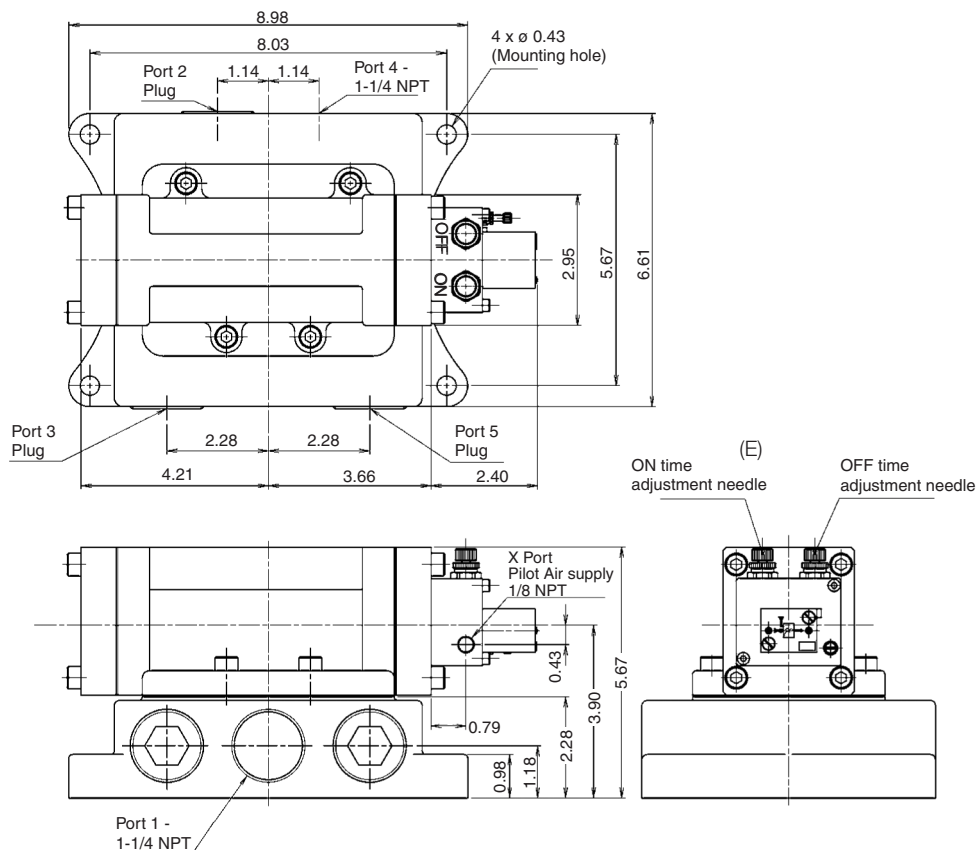
Parker Hannifin Corporation  
Pneumatic Division  
Richland, Michigan  
[www.parker.com/pneumatics](http://www.parker.com/pneumatics)



Ordering Information ASV15000-AA-xx

Function	Fluid	Flow @ 72.5 psi	Port size	Operating temperature	Pressure range, psi	Pilot air supply, psi	Blow type	Grease	Port type	Part number
Normally closed	Dry air	529.7 scfm	1-1/4"	23-122°F (A)	0-116	43.5-116	Pulse	Petrolatum (B), (for painting applications) (C), (D)	NPT	<b>WPASV15000-AA-92</b>
									BSPP	<b>WPASV15000-AA-42</b>

Dimensions: ASV15000-AA-92 (NPT model)



Piping

- Port 1: Supply port (Compressor side)
- Port 2: Plug (1-1/4)
- Port 3: Plug (1-1/4)
- Port 4: Output port (Blow nozzle side)
- Port 5: Plug (1-1/4)
- Port X: 1/8 NPT pilot air supply  
>43.5 psi is required

Notes:

- A. When temperature of valve goes below 5°C (41°F), complete dry air shall be supplied to prevent from freezing.
- B. Air Saver Units with WP prefix are suitable for most painting applications. Test before use if in direct contact with painted surface.
- C. If test in painting application fails, try cycling Air Saver Unit for 48 hours and repeat test.
- D. DO NOT use "WP" Air Saver Unit in 'clear coat' applications.
- E. Adjustable to maximum frequency of 1Hz.

Most popular.



For inventory, lead time, and kit lookup, visit [www.pdnplu.com](http://www.pdnplu.com)

C	Inline Valves
	Viking Lite
	Viking Extreme
	"B" Series
	Air Saver Unit
	ADEX Series
	"N" Series

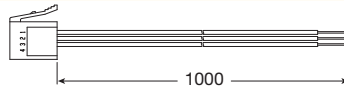


Ordering Information ASC500-1W / ASO500-1W

Function	Fluid	Flow @ 72.5 psi	Port size	Operating temperature	Pressure range, psi	Pilot air supply, psi	Blow type	Port type	Part number
Normally closed	Dry air	15.9 scfm	1/8"	23-122°F	29-72.5	Internal pilot	Pulse/continuous	NPT	ASC500-1W-90
								BSP	ASC500-1W-10
Normally open	Dry air	15.9 scfm	1/8"	23-122°F (A)	29-72.5	Internal pilot	Pulse/continuous	NPT	ASO500-1W-90
								BSP	ASO500-1W-10

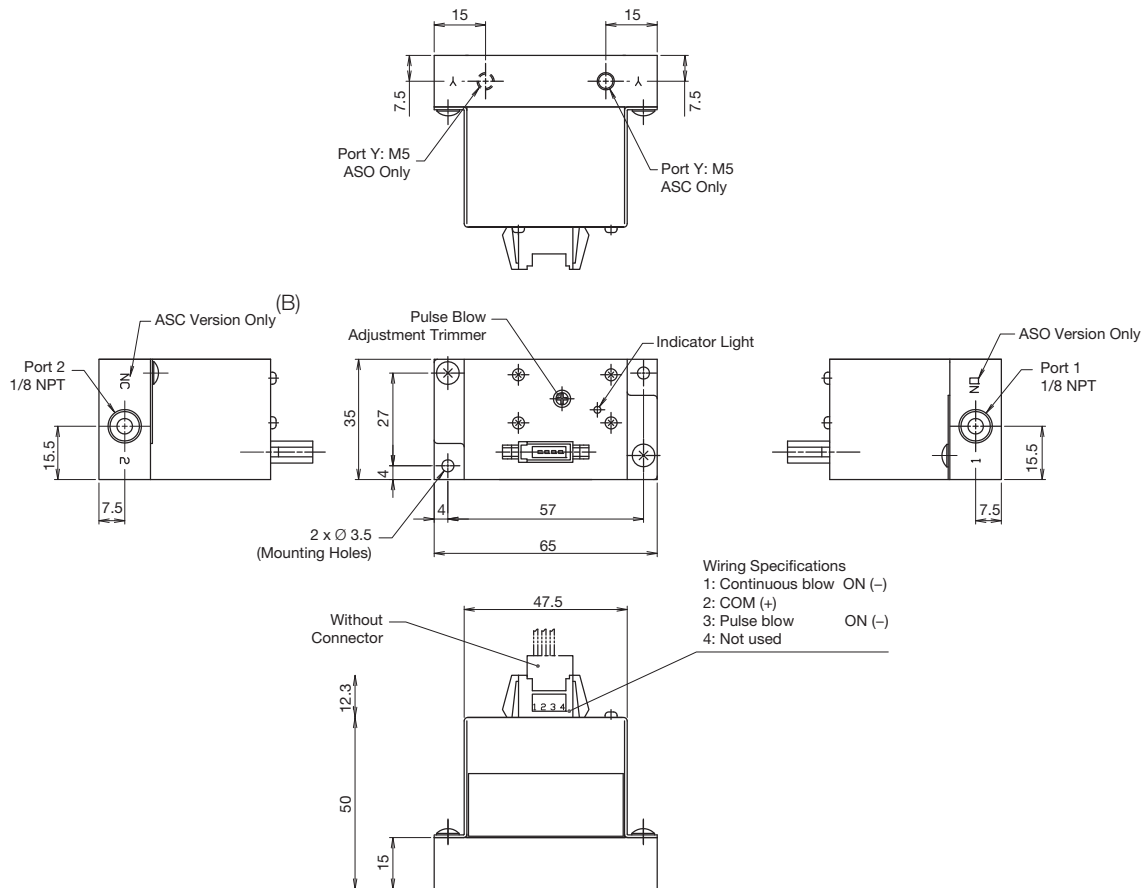
Cable

Cable with specific connector (AWG26 ASC/ASO in common)



ASC-D24-CL10

Dimensions: ASC500-1W-90 / ASO500-1W-90 (NPT model)



Piping

Port 1: Supply port (Compressor side)  
 Port 2: Output port (Blow nozzle side)  
 Y port: Pilot exhaust port\*

\* In order to avoid dust, it is recommended to attach an air muffler.

Notes:

- A. When temperature of valve goes below 5°C (41°F), complete dry air shall be supplied to prevent from freezing.
- B. Adjustable to maximum frequency of 22Hz.

Most popular.



For inventory, lead times, and kit lookup, visit [www.pdnplu.com](http://www.pdnplu.com)

## ADEX Series

ADEX Series are miniature low power consumption solenoid valves, ideal for powering small to mid-sized pneumatic actuators used in automation and process applications. ADEX's versatility is further enhanced through its three mounting styles and electronic connectivity options.

**Features**

- Compact body size
- Fast response < 10ms

**Ports**

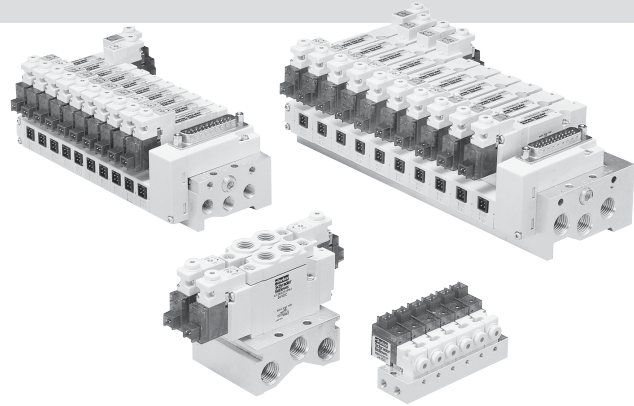
- A00: M3 – .02 Cv
- A05: M5 – .18 Cv
- A12: 1/8 inch – .47 Cv

**Mounting**

- Inline
- Subbase mount

**Solenoids**

- 0.6 W
- 5VDC, 12VDC, 24VDC and 110/220VAC
- LED and surge suppression



**Operating information**

Maximum operating pressure\*:  
 A05 & A12 Vacuum to 100 PSIG (Vacuum to 6.8 bar)  
 A00 (NC) Vacuum to 100 PSIG (Vacuum to 6.8 bar)  
 A00 (NO) Vacuum to 70 PSIG (Vacuum to 4.8 bar)  
 Minimum operating pressure: See chart below  
 Operating temperature:  
 Intermittent Duty (AC & DC Voltage): 32°F to 122°F (0°C to 50°C)  
 Voltage Rated +10 / -10%  
 Continuous Duty (DC Voltage Only): 32°F to 104°F (0°C to 40°C)  
 Voltage Rated +0 / -10%

\* When using vacuum and pressure simultaneously on ports 1 & 3, normally closed valve, the maximum pressure is 85 PSIG (586 kPa).  
 When using vacuum and pressure simultaneously on ports 1 & 3, normally open valve, the maximum pressure is 58 PSIG (400 kPa).

**Material specifications**

Body	Anodized aluminum
End caps	Anodized aluminum
Coils	Thermoplastic
Fasteners	Stainless steel
Spool	Aluminum and nitrile rubber

**Minimum operating pressure**

Description	Internal pilot		External pilot		
	PSIG	kPa	PSIG	kPa	
4-way	Single Solenoid	22	152	Vacuum	
				36	248
36	248				
		Double Solenoid – 3-position	30	207	Vacuum
36	248				
		3-way	A00 Series	Vacuum	

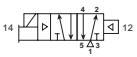
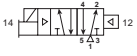
\* When using vacuum and pressure on ports 1 & 3 – 85 PSIG (586 kPa) NC; 58 PSIG (400 kPa) NO.





For inventory, lead time, and kit lookup, visit [www.pdnplu.com](http://www.pdnplu.com)

Part Numbers / Ordering Information

Single Solenoid, 4-way, 2-position

Symbol	Port size	Cv	Voltage	Valve type	Part number
	M5	.17 Cv	24VDC	A05 inline	<b>A05RS251PM5MF</b>
	1/8"	.47 Cv	24VDC	A12 inline	<b>A12RS251PN1MF</b>
	Less base	.18 Cv	24VDC	A06 subbase	<b>A05PS251P</b>
	Less base	.44 Cv	24VDC	A12 subbase	<b>A12PS251P</b>

Double Solenoid, 4-way, 2-position

Symbol	Port size	Cv	Voltage	Valve type	Part number
	M5	.17 Cv	24VDC	A05 inline	<b>A05RD251PM5MF</b>
	1/8"	.47 Cv	24VDC	A12 inline	<b>A12RD251PN1MF</b>
	Less base	.18 Cv	24VDC	A06 subbase	<b>A05PD251P</b>
	Less base	.44 Cv	24VDC	A12 subbase	<b>A12PD251P</b>

Locking flush override. Mounting screws and gaskets included with valve.

A05 / A12 4-way, 2 & 3-position, P / R Types

**A05 R S25 - 1 P M5 MF**

<b>Basic Series</b>	<b>Valve Type</b>
Series A05	Blank None (Subbase)
Series A12	MF Inline

<b>Body Type</b>	<b>Port Size / Thread Type<sup>†</sup></b>
Subbase P	Blank None (Subbase)
Inline R	M5 M5 (A05R Only)
	N1 1/8" NPT (A12R Only)
	G1 1/8" BSPP "G" (A12R Only)

<sup>†</sup> Required for inline models only, port size code not used for subbase versions.

<b>Operator / Function</b>	<b>Options</b>
4-Way	P Lights / Surge Suppression
Single Solenoid, 2-Position, Air Return S25	
Double Solenoid, 2-Position D25	
Double Solenoid, 3-Position, APB D35	
Double Solenoid, 3-Position, CE E35	
Double Solenoid, 3-Position, PC O35	

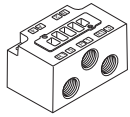
<b>Pilot Source / Exhaust</b>	<b>Voltage</b>
Internal Blank	1 24VDC
External X*	2 12VDC
	9 120/60 VAC

 Most popular.



For inventory, lead times, and kit lookup, visit [www.pdnplu.com](http://www.pdnplu.com)

**A05 & A12 Subbases**



A05PB

Valve type	Port size	Part number
A05	1/8" NPT	<b>A05PBN1</b>
	1/8" BSPP "G"	<b>A05PBG1</b>
A12	1/4" NPT	<b>A12PBN2</b>
	1/4" BSPP "G"	<b>A12PBG2</b>

Kit Includes: (1) Subbase (Hold down bolts and gasket are included with valve)

**A05 Valve IEM Bar Manifold**



MMFU10A05F Shown

4-way, NPTF (Individual wiring type)	<b>MMFU##A05F</b>
4-way, NPTF (Collective wiring type)	<b>MMCU##A05F</b>

## – stations 2 to 20  
## – stations 2 to 12  
(Even numbers only)

**Pilot Exhaust for IEM Manifold –**  
is captured through the "3" and "5" galley.

**A12 Valve IEM Bar Manifold**



MMFU10A12F Shown

4-way, NPTF (Individual wiring type)	<b>MMFU##A12F</b>
4-way, NPTF (Collective wiring type)	<b>MMCU##A12F</b>

## – stations 2 to 20  
## – stations 2 to 12  
(Even numbers only)

**Pilot Exhaust for IEM Manifold –**  
is captured through the "3" and "5" galley.

**A05 Valve Subbase Bar Manifold (5-Ported)**



4-way, M5 (Individual Wiring Type)	<b>MMFS##A05FM5</b>
4-way, M5 (Collective Wiring Type)	<b>MMCS##A05FM5</b>

## – stations 2 to 20  
## – stations 2 to 12  
(Even numbers only)

**Internally Piloted Manifolds –**  
Pilot exhaust is captured through the "3" and "5" galley.

**Externally Pilot Manifold –**  
Pilot exhaust is captured through the "Y" galley.

**A12 Valve Subbase Bar Manifold (5-Ported)**



4-way, 1/8" NPTF (Individual Wiring Type)	<b>MMFS##A12FF1</b>
4-way, 1/8" NPTF (Collective Wiring Type)	<b>MMCS##A12FF1</b>

## – stations 2 to 20  
## – stations 2 to 12  
(Even numbers only)

**Internally Piloted Manifolds –**  
Pilot exhaust is captured through the "3" and "5" galley.

**Externally Pilot Manifold –**  
Pilot exhaust is captured through the "Y" galley.

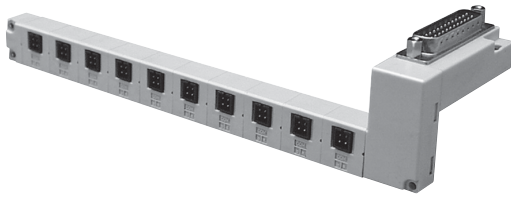
Most popular.



For inventory, lead time, and kit lookup, visit [www.pdnplu.com](http://www.pdnplu.com)



Collective Wiring

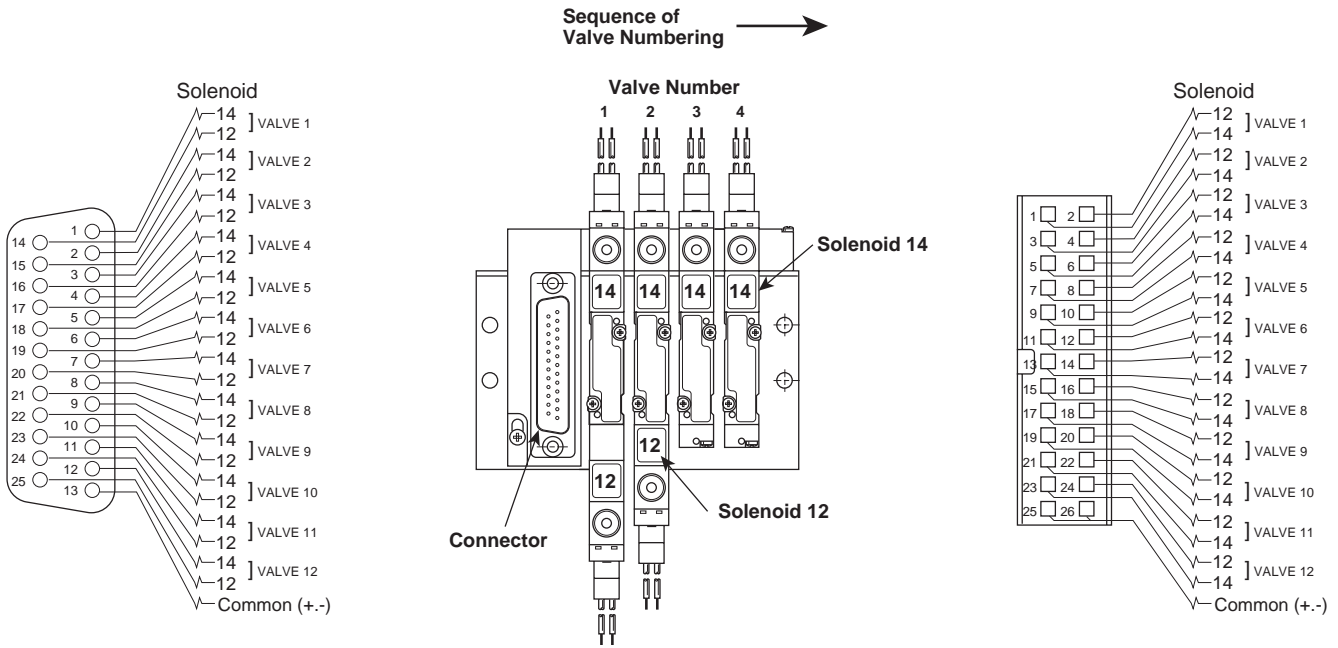


MCS10A05PDL Shown

<b>Type</b> Manifold collective wiring system	<b>MCS</b>	<b>2</b>	<b>A05</b>	<b>P</b>	<b>DL</b>	<b>Options</b> DL D-sub 25 ML 26-pin ribbon
<b>Number of stations*</b>			<b>Valve size</b>			
2 Stations	2		A05	10mm		
4 Stations	4		A12	15mm		
6 Stations	6					
8 Stations	8					
10 Stations	10					
12 Stations	12					

\* Even Number of Stations Only.

Collective Wiring Pin Mapping  
(Not Available for AC Voltages)



Pin Map for D-Sub 25 Connector

Valve and Solenoid Addresses

Pin Map for 26-Pin Ribbon Connector

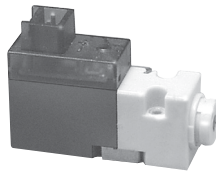
Notes:

- The MCS Collective Wiring System is "Polarity Neutral". Polarity is addressed with the Collective Wired Connectors (page C88). Example: When 'positive' common is used, an A05 single solenoid valve uses an A05PSCC. When 'negative' common is used, use A05PSCCM.
- The MCS Collective Wiring System provides for both the "14" and "12" addresses at each valve location. When single solenoid valves are used, skip the "12" address for both wiring and controller programming.
- Be sure that the leakage current of the controller outputs is less than 1.5 ma.



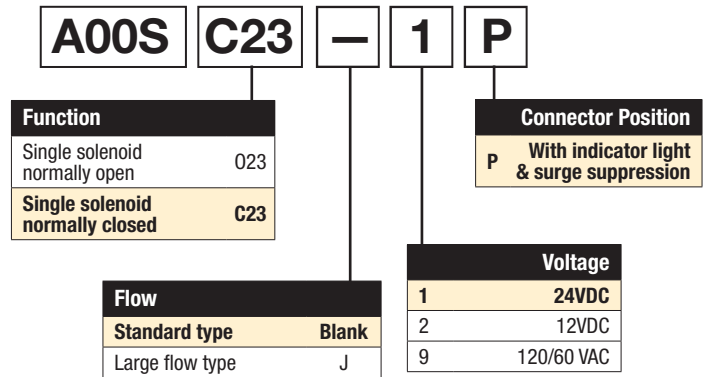
For inventory, lead times, and kit lookup, visit [www.pdnplu.com](http://www.pdnplu.com)

**A00 Valve Only – Single Solenoid, 3-way, 2-position\***



**A00SC23-1P Shown**

\* Screwdriver-Operated, Locking Manual Override (LMOR).



**A00 Valve Subbase**



Valve type	All Ports	Part number
A00	M3	<b>A00S-B-M3</b>

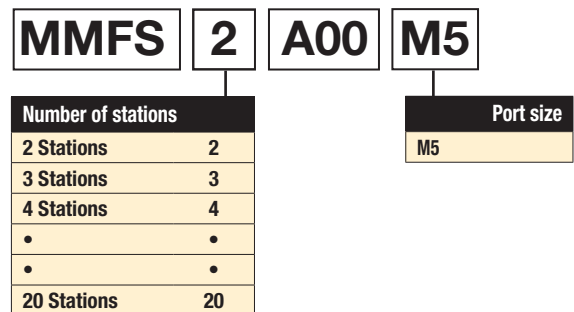
Mounting screws and gaskets included with valve.

**A00 Valve Manifold\***



**MMFS6A00M5 Shown**

\* Normally closed valves (A00SC23•P) and Normally open valves (A00S023•P) cannot be mounted on the same manifold simultaneously.  
Mounting screws and gaskets included with valve.




Most popular.



For inventory, lead time, and kit lookup, visit [www.pdnplu.com](http://www.pdnplu.com)

## Accessories

### Individual Wired Connectors P / R Type

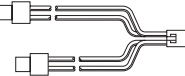
	Size	Voltage	Length	Part number
	A00	DC	.5 meter	<b>A05P-DC-CL5</b>
			1 meter	<b>A05P-DC-CL10</b>
	A05		3 meter	<b>A05P-DC-CL30</b>
	A12	AC	.5 meter	<b>A05P-AC-CL5</b>
	1 meter		<b>A05P-AC-CL10</b>	

A05PDCCL##

DC Voltage: Positive "+" (Red Wire)  
Negative "-" (Black Wire)

AC Voltage: Both Wires are Blue (Polarity Neutral)

### Collective Wired Connectors P / R Type


	Size		Part number	
			PNP	NPN
	A05	Single	<b>A05PSCCM</b>	<b>A05PSCC</b>
	A12	Double	<b>A05PDCCM</b>	<b>A05PDCC</b>

A05PDCC

PNP = SOURCING = "Negative Common" = Yellow Wires

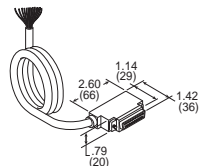
NPN = SINKING = "Positive Common" = Red Wires

### Wired Connectors with Protective Cover - P / R Type

	Size	Length	Part number
	A00	1 meter	<b>A05P-DC-CB10</b>
	A05		
	A12		

The cover is made of chloroprene rubber for electrical use, assuring excellent weather and insulation resistance. However, be careful not to place it under splash of cutting oil.

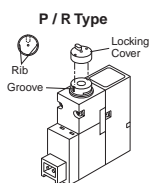
### Cable with Female D-Sub, 25-Pin Connector



Description	Part number
25-Pin, D-Sub cable, 1 meter (3.3 ft.)	<b>DSS-25W-2K</b>

**Note:** For use with ADEX MCS system only.  
Connection to control system is through 25 colored wires AWG 24. Includes (2) M2.5 screws.

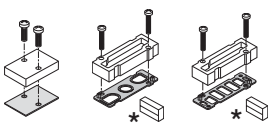
### Extended Override Cover



Size	Orange: for 14 side solenoid	Green: for 12 side solenoid
A00	<b>A05P-LA</b>	<b>A05P-LB</b>
A05		
A12		

## Inline Valve Products, ADEX Valve ADEX Series

### Blanking Plate

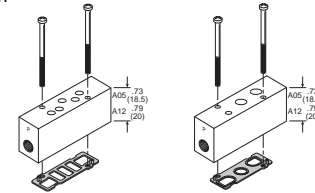
	Size	Type	Part number
	A00	Subbase	<b>A00SBP</b>
	A05	Body ported	<b>A05RGBP</b>
		Subbase	<b>A05PG-BP</b>
A12	Body ported	<b>A12RGBP</b>	
	Subbase	<b>A12PGBP</b>	

A00SBP A05RGBP A05PGBP

\* Outlet pin cover used with collective wiring system only.

### Individual Air Supply Spacer

Mounts between valve and manifold. Supply from the manifold is blocked and only the valve mounted on the spacer receives the individual supply.



A05PAISM5 A05RAISM5

Size	Type	Port size	Internal pilot part number	External pilot* part number
A05	Inline	M5	<b>A05RAISM5</b>	<b>A05RAXISM5</b>
	Subbase	M5	<b>A05PAISM5</b>	<b>A05PAXISM5</b>
A12	Inline	1/8" NPT	<b>A12RAISN1</b>	<b>A12RAXISN1</b>
	Subbase	1/8" NPT	<b>A12PAISN1</b>	<b>A12PAXISN1</b>

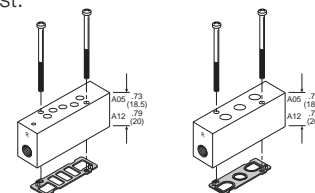
Can only be used on Collective wiring type manifolds.

\* Can only be used with External Piloted valve. External pilot is located on the X Port of the manifold

Kit Includes: (1) Spacer, (2) Screws, and (1) Gasket

### Individual Air Exhaust Spacer

Mounts between valve and manifold. Exhaust from the manifold is blocked and only the valve mounted on the spacer has the individual exhaust.



A05PAIEM5 A05RAIEM5

Size	Type	Port size	Internal pilot part number	External pilot* part number
A05	Inline	M5	<b>A05RAIEM5</b>	<b>A05RAXIEM5</b>
	Subbase	M5	<b>A05PAIEM5</b>	<b>A05PAXIEM5</b>
A12	Inline	1/8" NPT	<b>A12RAIEN1</b>	<b>A12RAXIEN1</b>
	Subbase	1/8" NPT	<b>A12PAIEN1</b>	<b>A12PAXIEN1</b>

Can only be used on Collective wiring type manifolds.

\* Can only be used with External Piloted valve. External pilot is located on the X Port of the manifold

Kit Includes: (1) Spacer, (2) Screws, and (1) Gasket

C

Inline Valves

Viking Lite

Viking Extreme

"B" Series

Air Saver Unit

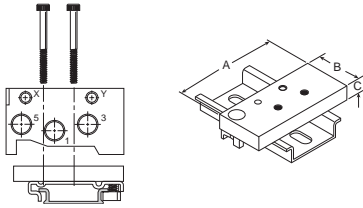
ADEX Series

"N" Series



## Accessories

### DIN Rail Hardware Kit

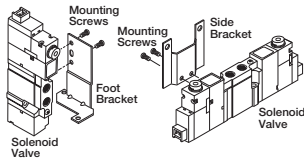


Dimensions

Size	Type	A	B	C	Part number
A05	IEM	2.24	1.00	.31	<b>MFUA05DB</b>
	Subbase	(57)	(25)	(8)	<b>MFSA05DB</b>
A12	IEM	2.91	1.00	.39	<b>MFUA12DB</b>
	Subbase	(74)	(25)	(10)	<b>MFSA12DB</b>

Kit includes: (2) Screws, (2) Clamps


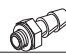
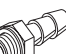

### Mounting Bracket



Size	Type	Part number
A05	Side	<b>A05RBS</b>
	Foot	<b>A05RBF</b>
A12	Side	<b>A12-RBS</b>
	Foot	<b>A12RBF</b>

Kit Includes: (1) Bracket, (2) Screws

### M3 & M5 Fittings

	Description	Part number
	M5 Plug Fitting	<b>0220 19 00</b>
	M3 to 3mm Barb	<b>BC03M3</b>
	M3 to 4mm Barb	<b>BC04M3</b>
	M5 to 3mm Barb	<b>BC03M5</b>

### Labeling Tag

Size	Description	Part number
A05	White Label Tag	<b>A05PN</b>
A12		

## Inline Valve Products, ADEX Valve ADEX Series

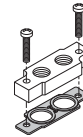
### Exhaust Mufflers



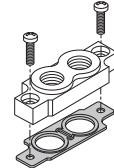
Pipe thread	Part number
M5	<b>P6M-PAC5</b>
1/8" NPT	<b>EM12</b>
1/4" NPT	<b>EM25</b>

P6M - Plastic; EM - Sintered Bronze

### Replacement Cylinder Port Plate Kits



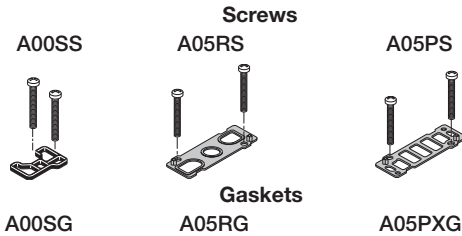
A05RABM5



A12RABN1

Size	Fitting	Part number
A05	M5	<b>A05RABM5</b>
A12	1/8" NPT	<b>A12RABN1</b>
	1/8" BSPP "G"	<b>A12RABG1</b>

### Replacement Base Gasket Kits



Size	Type	Gasket only	Screw
A00	Subbase	<b>A00SG</b>	<b>A00SS</b>
	Body Ported	<b>A05RG</b>	<b>A05RS</b>
A05	Subbase Int.	<b>A05PG</b>	<b>A05PS</b>
	Subbase Ext.	<b>A05PXG</b>	<b>A05PS</b>
A12	Body Ported	<b>A12RG</b>	<b>A12RS</b>
	Subbase Int.	<b>A12PG</b>	<b>A12PS</b>
	Subbase Ext.	<b>A12PXG</b>	<b>A12PS</b>

These are spare parts, mounting screws and gaskets included with valves.

C

Inline Valves

Viking Lite

Viking Extreme

"B" Series

Air Saver Unit

ADEX Series

"N" Series

**Flow Rating (Cv)**

Size	Port Size	Mounting Style	ANSI / (NFPA)		JIS Method	
			2-Position	3-Position	2-Position	3-Position
A00	M3	Subbase	.010	—	—	—
	M5	Subbase	.017	—	—	—
A00****J	M5	Subbase	.020	—	—	—
A05	M5	Inline	.18	.16	.22	.20
	M5	Subbase	.17	.16	.32	.32
A12	1/8" Ports	Inline	.47	.43	.48	.46
	1/8" Ports	Subbase	.44	.40	.61	.42

ANSI / (NFPA) T3.21.3-1990 standard for Cv measurement.

**Response Time**

Valve Size	Port Size	0 Cu. In. Test Chamber	
		Fill	Exhaust
<b>2-Position Single Solenoid / Air Return</b>			
A00	M3	.004	.006
A05	M5	.014	.025
A12	1/8"	.016	.030
<b>2-Position Double Solenoid</b>			
A00	M3	—	—
A05	M5	.011	.015
A12	1/8"	.010	.012
<b>3-Position Double Solenoid</b>			
A00	M3	—	—
A05	M5	.013	.017
A12	1/8"	.013	.014

**Average Fill Time (Seconds):** With 100 PSIG supply, time required to fill from 0-90 PSIG and exhaust from 100 PSIG to 10 PSIG is measured from instant of energizing, or de-energizing 24VDC solenoid. Times shown are average.

Tested per ANSI / (NFPA) T3.21.8.

**Solenoid Information**

Power Consumption	Standard		
			With Indicator Light & Surge Suppressor
Air Saver Unit	DC	W	0.6
		100V VA	1.2
	AC	110V VA	1.4
		<b>High Flow</b>	
ADEX Series	DC	W	0.91
		100V VA	—
	AC	110V VA	—
		"N" Series	

**ANSI Cv vs. JIS Cv**

For Pneumatic Valve flow, the measurement **Cv** – Coefficient of Flow – is used to convey to the user how much air can flow through a given valve. Most valve manufacturers publish this information in their catalogs to assist the user in choosing the proper valve for their application. In publishing this data however, there are discrepancies in how the **Cv** is calculated, resulting in some **Cv**'s being **OVERSTATED** by **20 to 40%**. This can adversely affect the user's application because the valve flows **LESS** than the published **Cv**.

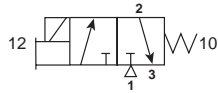
The reason for the large discrepancy is in the method of calculation - the ANSI (NFPA) or the JIS standard.

Parker's **Cv** valve is calculated using the ANSI (NFPA) T3.21.3-1990 standard. The ANSI (NFPA) method is a structured test using very specific tube sizes and lengths, inlet pressures and pressure drops, and volume chambers.

Locking Flush Override. Mounting screws and gaskets included with valve.



**Single Solenoid  
 3-Way, 2-Position NC**

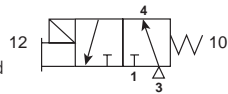


**Vacuum Applications (Device becomes NO):**

- '1' port is connected to atmosphere or compressed air † when required.
- '2' port is outlet
- '3' port is connected to vacuum

† When both vacuum and compressed air are required, maximum pressure is 85 PSIG (586 kPa).

**Single Solenoid  
 3-Way, 2-Position NO\***



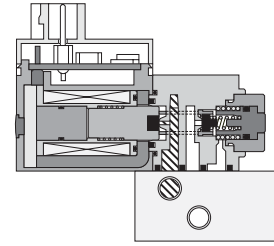
\* To obtain NO function, ports 1 & 3 are reversed (1 becomes exhaust and 3 becomes supply).

**Vacuum Applications (Device becomes NC):**

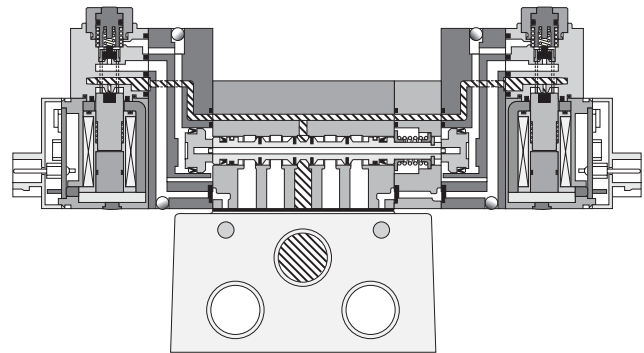
- '1' port is connected to vacuum
- '2' port is outlet
- '3' port is connected to atmosphere or compressed air † when required.

† When both vacuum and compressed air are required, maximum pressure is 58 PSIG (400 kPa).

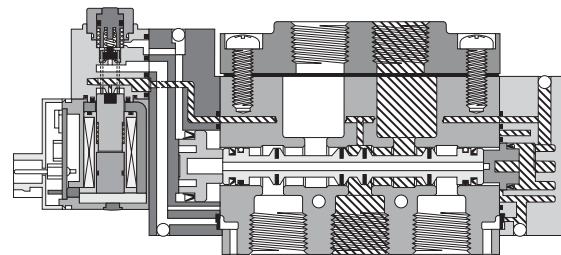
**Caution:** Normally Open and Normally Closed 3-Way valve cannot be mixed on the same manifold.



**A00S Single Solenoid Normally Closed (NC)**



**A05P Double Solenoid 3-Position Subbase Mounted**



**A12R Single Solenoid Inline**

Pressure Exhaust

**C**

Inline Valves

Viking Lite

Viking Extreme

"B" Series

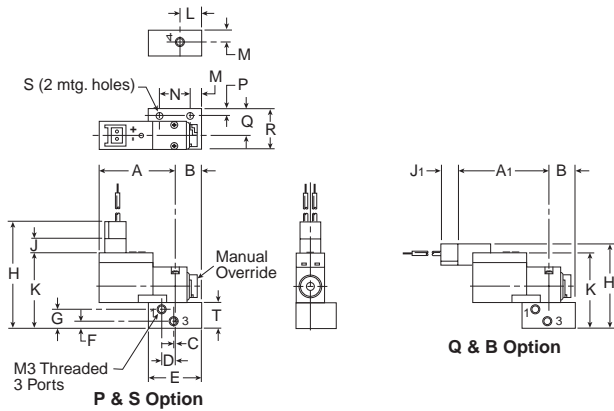
Air Saver Unit

ADEX Series

"N" Series



**A00 Subbase**

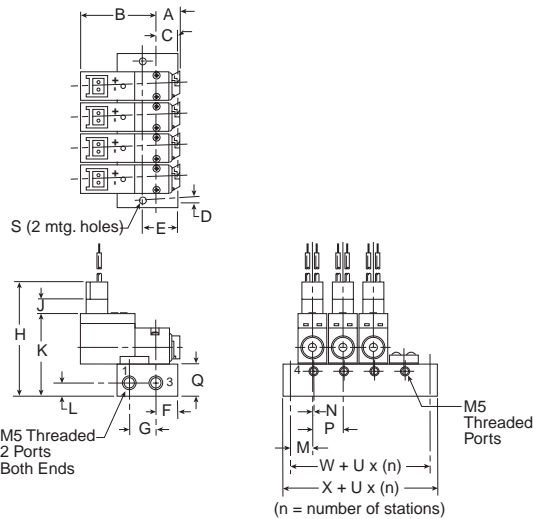


**A00 - Subbase**

A	A1	B	C	D
1.00 (25)	1.18 (30)	.41 (11)	.015 (.4)	.17 (4)
E	F	G	H	H1
.79 (20)	.12 (3)	.28 (7)	1.54 (39)	1.38 (34)
J	J1	K	L	M
.24 (6)	.20 (5)	1.11 (28)	.32 (8)	.18 (5)
N	P	Q	R	S
.47 (12)	.10 (3)	.39 (10)	.59 (15)	.106 (2.7)
T	.38 (10)			

Inches (mm)

**A00 Manifold**

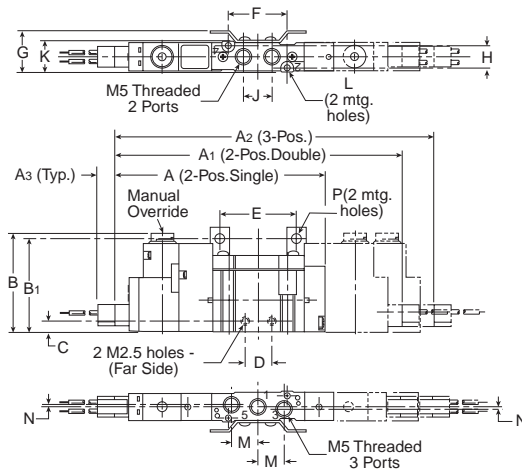


**A00 - Manifold**

A	B	C	D	E	
.36 (9)	1.00 (25)	.31 (8)	.10 (3)	.51 (13)	
F	G	H	J	K	
.31 (8)	.39 (10)	1.63 (42)	.20 (5)	1.22 (31)	
L	M	N	P	Q	
.20 (5)	.33 (9)	.02 (.6)	.41 (10.5)	.47 (12)	
S	U	X	W		
.125 (3.2)	.41 (10.5)	.45 (11.5)	.26 (6.5)		

Inches (mm)

**A05R Single & Double Operators – Inline**



**A05R – Inline**

A	A1	A2	A3	B
2.91 (74)	3.94 (100)	4.25 (108)	.24 (6)	1.38 (35)
B1	C	D	E	F
1.30 (33)	.16 (4)	.38 (10)	1.06 (27)	.83 (21)
G	H	J	K	L
.57 (15)	.33 (9)	.40 (10)	.45 (11.4)	Ø .08 Ø (2.1)
M	N	P		
.37 (10)	.04 (1)	Ø .14 Ø (3.5)		

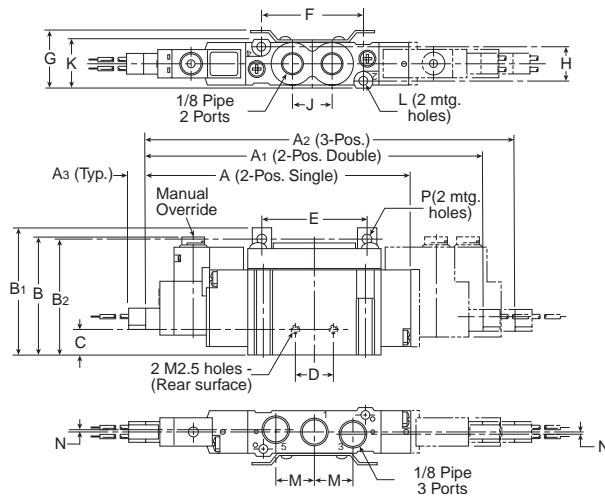
Inches (mm)

**C**  
**Inline Valves**  
**Viking Lite**  
**Viking Extreme**  
**"B" Series**  
**Air Saver Unit**  
**ADEX Series**  
**"N" Series**



For inventory, lead times, and kit lookup, visit [www.pdnplu.com](http://www.pdnplu.com)

**A12R Single & Double Operators – Inline**

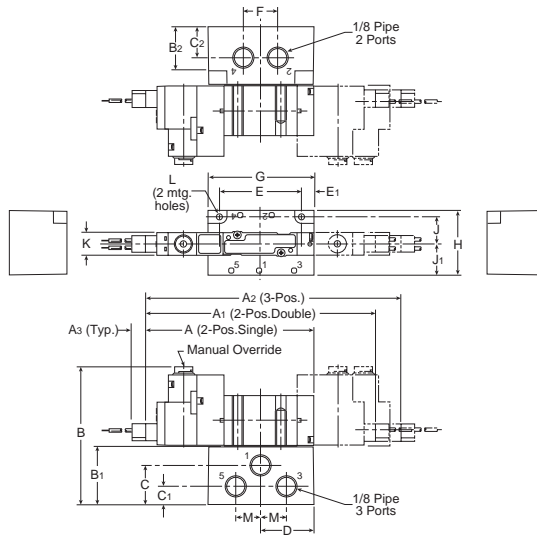


**A12R – Inline**

A	A1	A2	A3	B
3.68 (94)	4.69 (119)	5.12 (130)	.24 (6)	1.64 (42)
B1	B2	C	D	E
1.77 (45)	1.70 (43)	.35 (9)	.51 (13)	1.46 (37)
F	G	H	J	K
1.42 (36)	.80 (20)	.47 (12)	.55 (14)	.68 (17)
L	M	N	P	
Ø .12 Ø (3.1)	.55 (14)	.03 (0.8)	Ø .14 Ø (3.5)	

Inches (mm)

**A05P Single & Double Operators – Subbase**

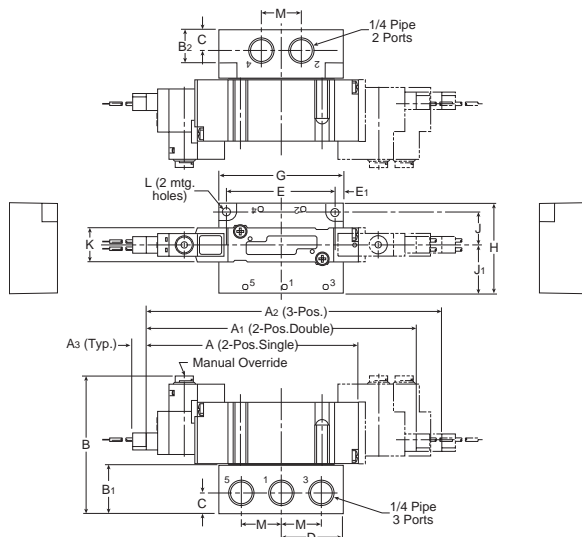


**A05P – Subbase**

A	A1	A2	A3	B
2.91 (74)	3.94 (100)	4.25 (108)	.24 (6)	2.35 (60)
B1	B2	C	C1	C2
.96 (25)	.75 (19)	.65 (17)	.30 (8)	.53 (14)
D	E	E1	F	G
.89 (23)	1.38 (35)	.20 (5)	.57 (15)	1.77 (45)
H	J	J1	K	L
.08 (28)	.45 (11.5)	.51 (13)	.39 (10)	Ø .13 Ø (3.2)
M				
.45 (12)				

Inches (mm)

**A12P Single & Double Operators – Subbase**



**A12P – Subbase**

A	A1	A2	A3	B
3.68 (94)	4.69 (119)	5.12 (130)	.24 (6)	2.41 (61)
B1	B2	C	D	E
.87 (22)	.75 (19)	.37 (10)	1.10 (28)	1.89 (48)
E1	G	H	J	J1
.16 (4)	2.20 (56)	1.59 (41)	.57 (14.5)	.87 (22)
K	L	M		
.59 (15)	Ø .17 Ø (4.3)	.71 (18)		

Inches (mm)

**C**

**Inline Valves**

**Viking Lite**

**Viking Extreme**

**"B" Series**

**Air Saver Unit**

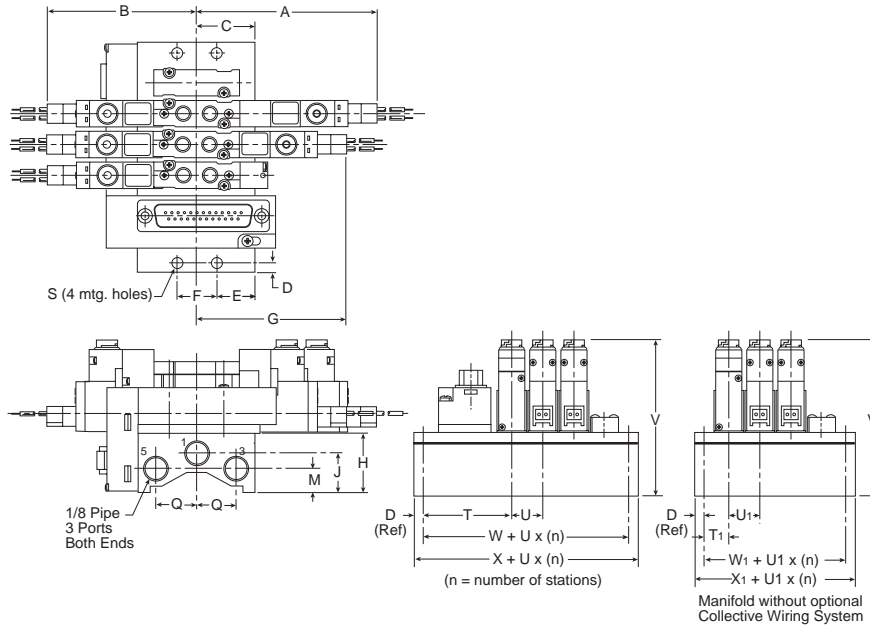
**ADEX Series**

**"N" Series**



For inventory, lead time, and kit lookup, visit [www.pdnplu.com](http://www.pdnplu.com)

**A05R Manifold – Valve Inline**

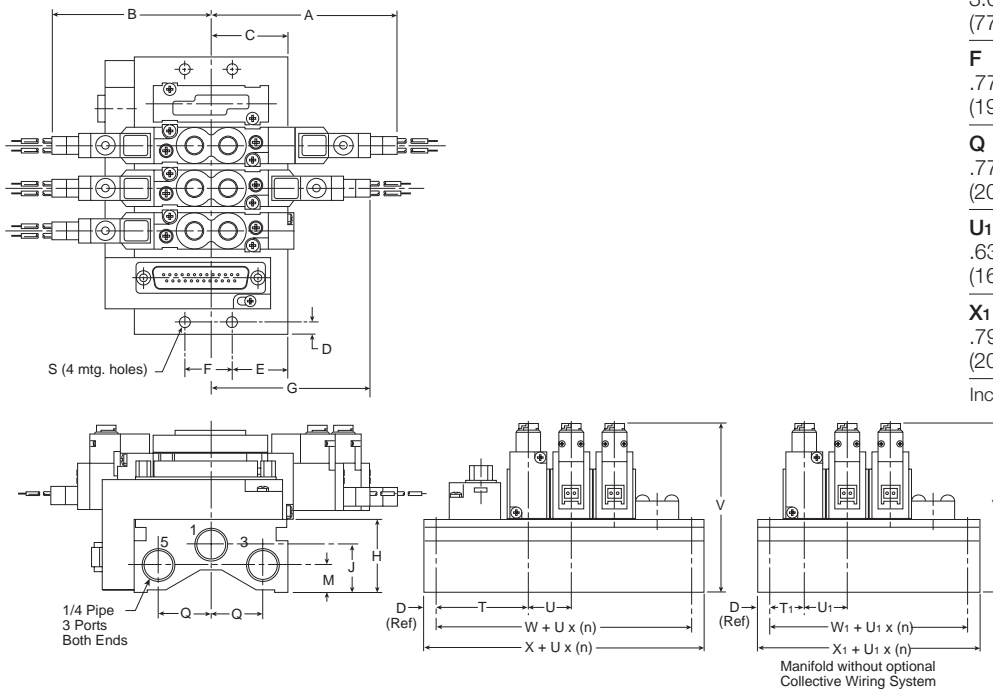


**A05R - Manifold, Valve Inline**

<b>A</b>	<b>B</b>	<b>C</b>	<b>D</b>	<b>E</b>
2.52 (64)	2.21 (56)	.94 (24)	.16 (4)	.61 (16)
<b>F</b>	<b>G</b>	<b>H</b>	<b>J</b>	<b>M</b>
.63 (16)	2.21 (56)	.94 (24)	.61 (16)	.37 (10)
<b>Q</b>	<b>S</b>	<b>T</b>	<b>T<sub>1</sub></b>	<b>U</b>
.63 (16)	∅ .18 ∅ (4.5)	1.34 (34)	.51 (13)	.49 (12.5)
<b>U<sub>1</sub></b>	<b>V</b>	<b>W</b>	<b>W<sub>1</sub></b>	<b>X</b>
.41 (10.5)	2.32 (59)	1.36 (35)	.37 (9.5)	.167 (43)
<b>X<sub>1</sub></b>				
.68 (17.5)				

Inches (mm)

**A12R Manifold – Valve Inline**

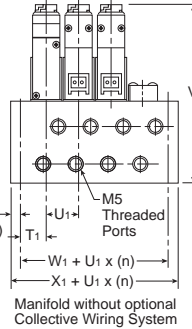
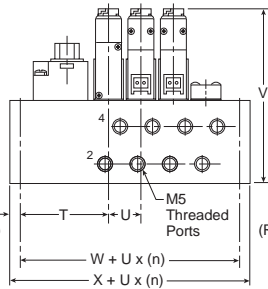
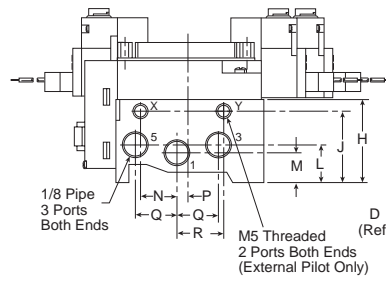
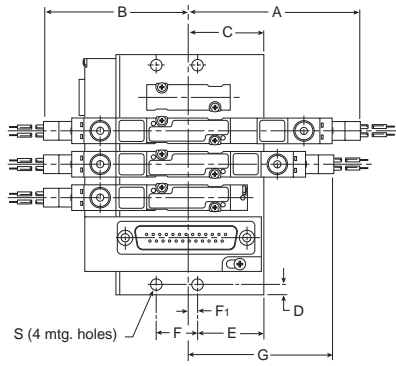


**A12R - Manifold, Valve Inline**

<b>A</b>	<b>B</b>	<b>C</b>	<b>D</b>	<b>E</b>
3.01 (77)	2.58 (66)	1.14 (29)	.20 (5)	.76 (19)
<b>F</b>	<b>G</b>	<b>H</b>	<b>J</b>	<b>M</b>
.77 (19.6)	2.58 (66)	1.08 (28)	.71 (18)	.41 (11)
<b>Q</b>	<b>S</b>	<b>T</b>	<b>T<sub>1</sub></b>	<b>U</b>
.77 (20)	∅ .18 ∅ (4.5)	1.48 (38)	.51 (13)	.69 (17.5)
<b>U<sub>1</sub></b>	<b>V</b>	<b>W</b>	<b>W<sub>1</sub></b>	<b>X</b>
.63 (16)	2.74 (70)	1.34 (34)	.39 (10)	1.73 (44)
<b>X<sub>1</sub></b>				
.79 (20)				

Inches (mm)

**A05P Manifold – Side Ports**

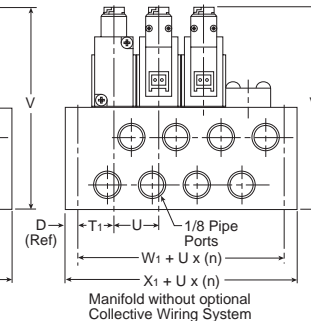
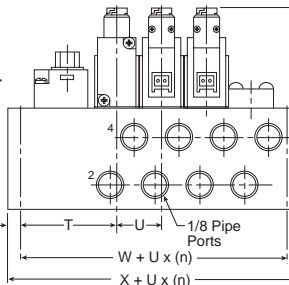
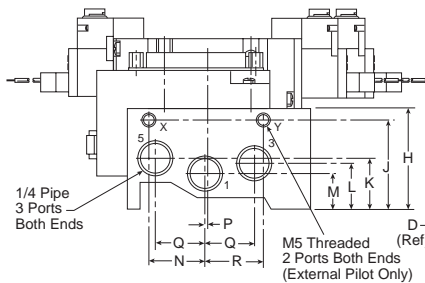
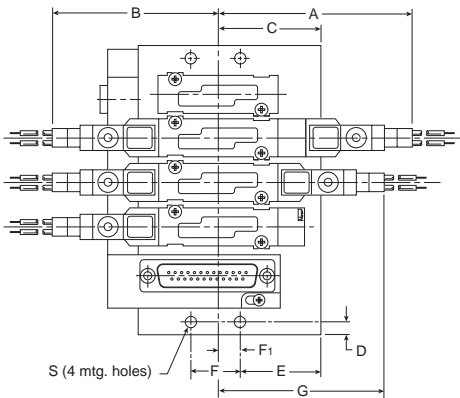


**A05P – Manifold, Side Ports**

<b>A</b>	<b>B</b>	<b>C</b>	<b>D</b>	<b>E</b>
2.52 (64)	2.21 (56)	1.12 (29)	.16 (4)	1.00 (26)
<b>F</b>	<b>F1</b>	<b>G</b>	<b>H</b>	<b>J</b>
.63 (16)	.19 (5)	2.21 (56)	1.26 (32)	1.08 (28)
<b>L</b>	<b>M</b>	<b>N</b>	<b>P</b>	<b>Q</b>
.59 (15)	.45 (11.5)	.55 (14)	.13 (3)	.63 (16)
<b>R</b>	<b>S</b>	<b>T</b>	<b>T1</b>	<b>U</b>
.71 (18)	∅ .18 ∅ (4.5)	1.34 (34)	.39 (10)	.49 (12.5)
<b>U1</b>	<b>V</b>	<b>W</b>	<b>W1</b>	<b>X</b>
.41 (10.5)	2.64 (67)	1.32 (34)	.37 (10)	1.65 (42)
<b>X1</b>				
.67 (18)				

Inches (mm)

**A12P Manifold – Side Ports**



**A12P – Manifold, Side Ports**

<b>A</b>	<b>B</b>	<b>C</b>	<b>D</b>	<b>E</b>	<b>F</b>
3.01 (77)	2.58 (66)	1.59 (40)	.20 (5)	1.25 (32)	.77 (20)
<b>F</b>	<b>G</b>	<b>H</b>	<b>J</b>	<b>K</b>	<b>L</b>
.34 (9)	2.58 (66)	1.57 (40)	1.38 (35)	.79 (20)	.71 (18)
<b>M</b>	<b>N</b>	<b>P</b>	<b>Q</b>	<b>R</b>	<b>S</b>
.55 (14)	.87 (22)	.04 (1)	.77 (20)	.91 (23)	∅ .18 ∅ (4.5)
<b>T</b>	<b>T1</b>	<b>U</b>	<b>V</b>	<b>W</b>	<b>W1</b>
1.48 (38)	.59 (13)	.69 (17.5)	3.09 (79)	1.34 (34)	.33 (9)
<b>X</b>	<b>X1</b>				
1.73 (44)	.73 (19)				

Inches (mm)

**C**

Inline Valves

Viking Lite

Viking Extreme

"B" Series

Air Saver Unit

ADEX Series

"N" Series

Features

N Series

N Series

For decades Parker Pneumatics and Heavy Industrial have been synonymous with durability and long life. High flow-speed N Series poppet valves have been operating in foundries, steel mills, and automotive casting & stamping plants without fail.

Features

- Continuous duty rated option
- Non-lube service
- Hi-flow, short stroke poppet
- Indicator lights available

Specifications

- 2-way NC
- 3-way NO & NC
- Selector function

Ports

- 3/8" Body – 3/8", 1/2" NPT; 3.0 to 4.4 Cv
- 3/4" Body – 1/2", 3/4", 1" NPT; 9.0 to 11.0 Cv
- 1-1/4" Body – 1", 1-1/4", 1-1/2" NPT; 20.0 to 30.0 Cv
- BSPP "G" threads available

Certification / approval

- Approved to be CE marked (Standard L-Pilot & P-Pilot)
- NEMA 4 Option
- Hazardous Duty Option IP65 Rating / NEMA 4

Material specifications

Valve body	Cast aluminum
Poppet assembly	Aluminum and stainless steel
Pilot Valve	Zinc, stainless steel, brass, copper, zinc plated steel
Seals	Nitrile

Lubrication

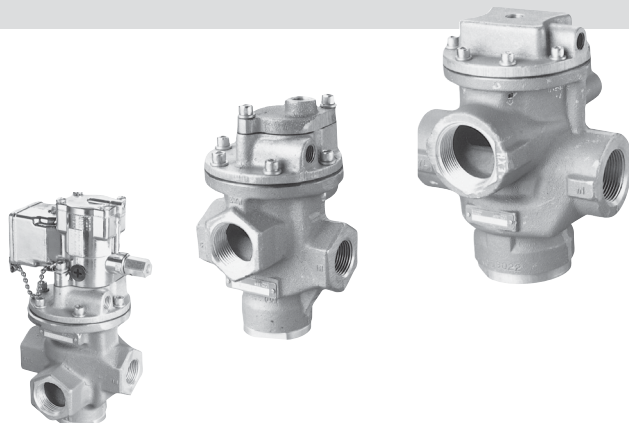
The high speed poppet valves are pre-lubricated to permit use with non-lubricated air. However, air should be lubricated to assure maximum seal life.

F442 lubricating oil is recommended. This oil is specially formulated to provide peak performance and maximum service life from air-operated equipment.

Installation

**CAUTION: DO NOT RESTRICT THE INLET TO POPPET VALVES**

Restriction of the inlet can starve the air supply to the pilot section of internally piloted poppet valves and result in slow shifting or failure of the valve to shift properly. Always connect the supply line directly to the inlet of the valve using the full pipe size of the valve inlet. Never use a quick coupling to connect a poppet valve to the air supply. On valves with a small inlet port, use of an upstream surge tank may be required at lower operating pressures to insure an adequate air supply and proper operation.



Operating information

Operating pressure:

Solenoid valves - internal pilot supply

3/8" Basic	3/4" Basic	1-1/4" Basic
20 to 140 PSIG (standard)	25 to 140 PSIG (200 PSIG option available)	25 to 140 PSIG (200 PSIG option available)

Solenoid valves - external pilot supply

Air pressure thru valve (PSI)	External pilot pressure required (PSI)*	
	3/8" Basic	3/4" Basic
25 PSI	35-200	35-200
50 PSI	45-200	40-200
75 PSI	55-200	50-200
100 PSI	65-200	65-200

Vacuum up to 1" HG, less than a perfect vacuum.

\* With 200 PSI option. Do not exceed 140 PSI with standard pilots.

Internal pilot - remote pilot valve

Air pressure thru valve (PSI)	Remote pilot pressure (PSI)		
	3/8" Basic	3/4" Basic	1-1/4" Basic
25 PSI	30-250	30-250	30-250
50 PSI	50-250	50-250	50-250
75 PSI	70-250	75-250	70-250
100 PSI	95-250	95-250	90-250
150 PSI	140-250	145-250	130-250
200 PSI	175-250	185-250	175-250
250 PSI	215-250	230-250	205-250

Operating temperature:

Operator type	Duty cycle*	Minimum ambient temperature	Maximum ambient temperature
Standard service	Intermittent	0°F (-18°C)	125°F (52°C)
Solenoid	Continuous	0°F (-18°C)	100°F (38°C)
Special service	Intermittent	0°F (-18°C)	125°F (52°C)
Solenoid	Continuous	0°F (-18°C)	125°F (52°C)
Remote pilot	Not applicable	0°F (-18°C)	200°F (93°C)

\* Applications with pilot valves energized for ten (10) minutes or longer with a duty cycle greater than 70% are considered to be continuously energized.

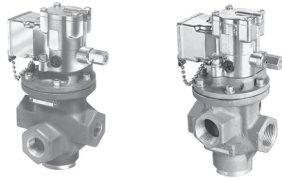
$$\text{Duty cycle} = \frac{\text{Time energized}}{\text{Time energized} + \text{time off}} \times 100\% = \% \text{ Duty Cycle}$$

C  
 Inline Valves  
 Viking Lite  
 Viking Extreme  
 "B" Series  
 Air Saver Unit  
 ADEX Series  
 "N" Series



For inventory, lead times, and kit lookup, visit [www.pdnplu.com](http://www.pdnplu.com)

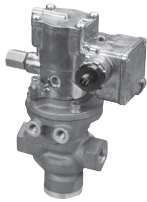
**Single Solenoid, Non-locking manual override, internal "L" pilot 140 PSI, standard service, junction box w/ light.**



Body size	Cv	In / cyl ports	Exhaust port	Voltage	2-way, 2-position normally closed	3-way, 2-position normally closed	3-way, 2-position normally open
3/8"	3.6 to 3.9	3/8"	1/2"	120VAC	<b>N3153904553</b>	<b>N3553904553</b>	<b>N3753904553</b>
				24VDC	<b>N3153904549</b>	<b>N3553904549</b>	<b>N3753904549</b>
		1/2"	1/2"	120VAC	<b>N3154904553</b>	<b>N3554904553</b>	<b>N3754904553</b>
				24VDC	<b>N3154904549</b>	<b>N3554904549</b>	<b>N3754904549</b>
3/4"	7.7 to 9.6	1/2"	3/4"	120VAC	<b>N3155904553</b>	<b>N3555904553</b>	<b>N3755904553</b>
				24VDC	<b>N3155904549</b>	<b>N3555904549</b>	<b>N3755904549</b>
		3/4"	1"	120VAC	<b>N3156904553</b>	<b>N3556904553</b>	<b>N3756904553</b>
				24VDC	<b>N3156904549</b>	<b>N3556904549</b>	<b>N3756904549</b>
		1"	1"	120VAC	<b>N3157904553</b>	<b>N3557904553</b>	<b>N3757904553</b>
				24VDC	<b>N3157904549</b>	<b>N3557904549</b>	<b>N3757904549</b>

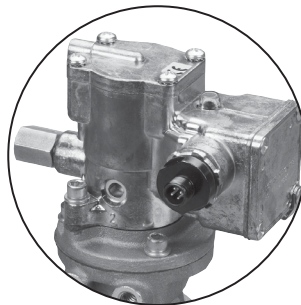
Normally Closed    Normally Open

**Single Solenoid, Non-locking manual override, internal "L" pilot 140 PSI, standard service, junction box w/ light, 4-pin M12.**

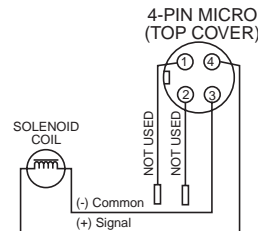


Normally Closed

Body size	Cv	In / cyl ports	Exhaust port	Voltage	2-way, 2-position normally closed	3-way, 2-position normally closed	3-way, 2-position normally open
3/8"	3.6 to 3.9	3/8"	1/2"	24VDC	<b>N3153J04549F</b>	<b>N3553J04549F</b>	<b>N3753J04549F</b>
				24VDC	<b>N3154J04549F</b>	<b>N3554J04549F</b>	<b>N3754J04549F</b>
3/4"	7.7 to 9.6	1/2"	3/4"	24VDC	<b>N3155J04549F</b>	<b>N3555J04549F</b>	<b>N3755J04549F</b>
				24VDC	<b>N3156J04549F</b>	<b>N3556J04549F</b>	<b>N3756J04549F</b>
		3/4"	1"	24VDC	<b>N3156J04549F</b>	<b>N3556J04549F</b>	<b>N3756J04549F</b>
				24VDC	<b>N3157J04549F</b>	<b>N3557J04549F</b>	<b>N3757J04549F</b>



**4-Pin Male/Single Solenoid**  
(Encl. Option J, Wiring Option F)  
(Per ISO 202/01)



C

Inline Valves

Viking Lite

Viking Extreme

"B" Series

Air Saver Unit

ADEX Series

"N" Series

Most popular.



For inventory, lead time, and kit lookup, visit [www.pdnplu.com](http://www.pdnplu.com)



Ordering Information

"N" Series 3/8", 3/4" & 1-1/4" Body Sizes - Solenoid 'L' Pilot

**N** **315** **3** **9** **0** **45** **53**  

Valve function - solenoid	
<b>3/8" &amp; 3/4" Body</b>	
2-way, normally closed	315
3-way, normally closed	355
3-way, normally open	375
<b>1-1/4" Body</b>	
2-way, normally closed	325
3-way, normally closed	365
3-way, normally open	385

"L" pilot configuration	
Blank	None
C	Chrysler wiring - enclosure 'J' & 'N'
<b>F</b>	<b>Ford wiring - enclosure 'E', 'J' &amp; 'N'</b>
G	GM wiring - enclosure 'J' & 'N'

Port size / thread type	
<b>3/8" body size</b>	
3/8" inlet & cyl - 1/2" exhaust - NPT	3
<b>1/2" inlet &amp; cyl - 1/2" exhaust - NPT</b>	<b>4</b>
1/2" inlet & cyl - 1/2" exhaust - BSPP	N
<b>3/4" body size</b>	
1/2" inlet & cyl - 3/4" exhaust - NPT	5
<b>3/4" inlet &amp; cyl - 1" exhaust - NPT</b>	<b>6</b>
3/4" inlet & cyl - 1" exhaust - BSPP	Q
1" inlet & cyl - 1" exhaust - NPT	7
<b>1-1/4" body size</b>	
1" inlet & cyl - 1 1/4" exhaust - NPT	7
<b>1-1/4" inlet &amp; cyl - 1-1/2" exhaust - NPT</b>	<b>8</b>
1-1/4" inlet & cyl - 1-1/2" exhaust - BSPP	S*
<b>1-1/2" inlet &amp; cyl - 1-1/2" exhaust - NPT</b>	<b>9</b>
1-1/2" inlet & cyl - 1-1/2" exhaust - BSPP	T*

"L" pilot code						
Code	Voltage			Solenoid enclosure options		
	AC 60hz	AC 50hz	DC	Standard duty (01, 45)	Cont. duty (04, 48)	200 PSI (46)
42	24	24	6	5, 6	6	
45			12	1, 5, 6		
<b>49</b>			<b>24</b>	<b>1, 2, 3, 5, 6, 8, 9, W</b>	<b>6, 8, 9</b>	<b>9</b>
51			48	1		
<b>53</b>	<b>120</b>	<b>110</b>		<b>1, 2, 3, 5, 6, 8, 9, E, N, W</b>	<b>1, 6, 8, 9, N</b>	<b>8, 9, E</b>
57	240	220		1, 3, W		
61			120	5, 6		
<b>79</b>			<b>24</b>	<b>E, J</b>	<b>E, J</b>	<b>E, J</b>

"L" pilot configuration	
01*	External pilot, std service, 140 PSI
04*	External pilot, cont duty, 140 PSI
<b>45</b>	<b>Internal pilot, std service, 140 PSI</b>
46	Internal pilot, std service, 200 PSI
<b>48</b>	<b>Internal pilot, cont duty, 140 PSI</b>

\* Not available with valve function 325, 365, and 385 (1-1/4" body).

\* Not available with valve function 325.

Note: BSPP is to the ISO 228 standard, and requires an R-BSPT male fitting.

Solenoid enclosure / override	
<b>Basic pilot</b>	<b>1</b>
Basic pilot NLMO	2
Basic pilot LMO	3
Junction box NLMO	5
Junction box LMO	6
<b>Junction box NLMO w/ light</b>	<b>8</b>
<b>Junction box LMO w/ light</b>	<b>9</b>
Basic pilot ext. LMO	W
JIC NLMO w/ light - 3-pin Automotive	E
<b>JIC NLMO w/ light - 4-pin M12</b>	<b>J</b>
JIC NLMO w/ light - 5-pin Automotive	N

Solenoid type	
<b>0</b>	<b>Standard</b>
5*	Hazardous duty
8*	NEMA 4 solenoid

\* Available with enclosure 2 & 3, 'L', pilot configuration 04 & 48, and voltage 49 & 53 ONLY.

**C**  
 Inline Valves  
 Viking Lite  
 Viking Extreme  
 "B" Series  
 Air Saver Unit  
 ADEX Series  
 "N" Series

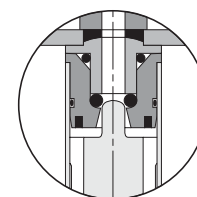
Continuous Duty Pilots

Continuous duty pilots are designed for applications where cycling is infrequent and the pilot is to be energized for indefinite periods of time . . . hours, days or weeks. Typical uses include fail-safe or emergency shutdown circuits where the pilot is to be energized and the valve open as long as the main control is "live" in order to shut off air to equipment in the event of power failure.

The Continuous duty pilot operates satisfactorily in ambient temperatures up to 125°F, even when continuously energized and without the benefit of the cooling air which normally flows through the pilot during frequent cycling. Under certain conditions,

satisfactory operation may be obtained at ambient temperatures above 125°F. CONSULT FACTORY.

Incorporating the performance-proven design features of the standard L-Pilot, the continuous duty pilot utilizes a bullet-shaped stem on the upper end of the plunger. This bullet-shaped stem, seating in a high-temperature rubber o-ring, provides both a bubble-tight seal and positive release.



Continuous Duty Pilot

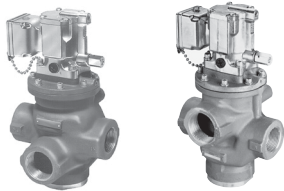
  Most popular.



For inventory, lead times, and kit lookup, visit [www.pdnplu.com](http://www.pdnplu.com)

Ordering Information

Single Solenoid, Non-locking manual override, internal "P" pilot 125 PSI, standard service, P-pilot junction box w/ light.



Normally Closed    Normally Open

Body size	Cv	In / cyl ports	Exhaust port	Voltage	2-way, 2-position normally closed	3-way, 2-position normally closed	3-way, 2-position normally open
1-1/4"	19.5 to 26.7	1"	1-1/4"	120VAC	<b>N3257904753</b>	<b>N3657904753</b>	<b>N3857904753</b>
		1-1/4"	1-1/2"	120VAC	<b>N3258904753</b>	<b>N3658904753</b>	<b>N3858904753</b>
		1-1/2"	1-1/2"	120VAC	<b>N3259904753</b>	<b>N3659904753</b>	<b>N3859904753</b>

"N" Series 1-1/4" Body Sizes - Solenoid Hi-Flow 'P' Pilot

**N 365 8 9 0 47 53**

Valve function - solenoid	
1-1/4" body	
2-Way, normally closed	325
3-Way, normally closed	365
3-Way, normally open	385

Port size / thread type	
1-1/4" body size	
1" inlet & cyl - 1 1/4" exhaust - NPT	7
1-1/4" inlet & cyl - 1-1/2" exhaust - NPT	8
1-1/4" inlet & cyl - 1-1/2" exhaust - BSPP	S
1-1/2" inlet & cyl - 1-1/2" exhaust - NPT	9
1-1/2" inlet & cyl - 1-1/2" exhaust - BSPP	T

Note: BSPP is to the ISO 228 standard, and requires an R-BSPT male fitting.

"P" pilot code				
Code	Voltage			Enclosure options
	AC 60hz	AC 50hz	DC	
49			24	5, 6
53	120	110		5, 6, 8, 9

"P" pilot configuration	
02	External pilot, std service, 125 PSI
47	Internal pilot, std service, 125 PSI

Solenoid type	
0	Standard

Solenoid enclosure / override	
5	Junction box NLMO
6	Junction box LMO
8	Junction box NLMO w/ light
9	Junction box LMO w/ light

Most popular.

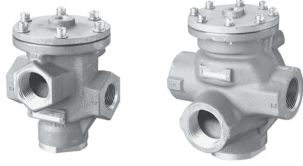


For inventory, lead time, and kit lookup, visit [www.pdnplu.com](http://www.pdnplu.com)

C	Inline Valves
	Viking Lite
	Viking Extreme
	"B" Series
	Air Saver Unit
	ADEX Series
	"N" Series

Ordering Information

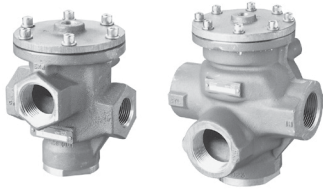
Single Remote Pilot, 1/4" NPT remote pilot port with internal pilot return.



Normally Closed    Normally Open

Body size	Cv	In / cyl ports	Exhaust port	2-way, 2-position normally closed	3-way, 2-position normally closed	3-way, 2-position normally open
3/8"	3.6 to 3.9	3/8"	1/2"	<b>N31431091</b>	<b>N35431091</b>	<b>N37431091</b>
		1/2"	1/2"	<b>N31441091</b>	<b>N35441091</b>	<b>N37441091</b>
3/4"	7.7 to 9.6	1/2"	3/4"	<b>N31451091</b>	<b>N35451091</b>	<b>N37451091</b>
		3/4"	1"	<b>N31461091</b>	<b>N35461091</b>	<b>N37461091</b>
		1"	1"	<b>N31471091</b>	<b>N35471091</b>	<b>N37471091</b>

Single Remote Pilot, 1/4" NPT remote pilot port with internal pilot return.



Normally Closed    Normally Open

Body size	Cv	In / cyl ports	Exhaust port	2-way, 2-position normally closed	3-way, 2-position normally closed	3-way, 2-position normally open
1-1/4"	19.5 to 26.7	1"	1-1/4"	<b>N32471091</b>	<b>N36471091</b>	<b>N38471091</b>
		1-1/4"	1-1/2"	<b>N32481091</b>	<b>N36481091</b>	<b>N38481091</b>
		1-1/2"	1-1/2"	<b>N32491091</b>	<b>N36491091</b>	<b>N38491091</b>

"N" Series 3/8", 3/4" & 1-1/4" Body Sizes - Remote Pilot

**N 314 3 1 091**

Valve Function - Solenoid	Port Size / Thread Type	Pilot Configuration
<b>3/8" &amp; 3/4" Body</b>	<b>3/8" Body Size</b>	089 External Pilot Return
2-Way, Normally Closed <b>314</b>	3/8" Inlet & Cyl - 1/2" Exhaust - NPT 3	<b>091 Internal Pilot Return</b>
3-Way, Normally Closed <b>354</b>	<b>1/2" Inlet &amp; Cyl - 1/2" Exhaust - NPT 4</b>	
3-Way, Normally Open <b>374</b>	1/2" Inlet & Cyl - 1/2" Exhaust - BSPP N	
<b>1-1/4" Body</b>	<b>3/4" Body Size</b>	
2-Way, Normally Closed <b>324</b>	<b>1/2" Inlet &amp; Cyl - 3/4" Exhaust - NPT 5</b>	
3-Way, Normally Closed <b>364</b>	1/2" Inlet & Cyl - 3/4" Exhaust - BSPP P	
3-Way, Normally Open <b>384</b>	<b>3/4" Inlet &amp; Cyl - 1" Exhaust - NPT 6</b>	
	3/4" Inlet & Cyl - 1" Exhaust - BSPP Q	
	1" Inlet & Cyl - 1" Exhaust - NPT 7	
	<b>1-1/4" Body Size</b>	
	<b>1" Inlet &amp; Cyl - 1 1/4" Exhaust - NPT 7</b>	
	<b>1-1/4" Inlet &amp; Cyl - 1-1/2" Exhaust - NPT 8</b>	
	1-1/4" Inlet & Cyl - 1-1/2" Exhaust - BSPP S*	
	<b>1-1/2" Inlet &amp; Cyl - 1-1/2" Exhaust - NPT 9</b>	
	1-1/2" Inlet & Cyl - 1-1/2" Exhaust - BSPP T*	

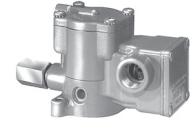
\* Not available with Valve Function 325.  
Note: BSPP is to the ISO 228 Standard, and requires an R-BSPT male fitting.

Most popular.



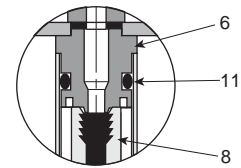
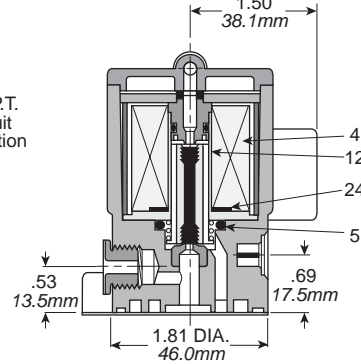
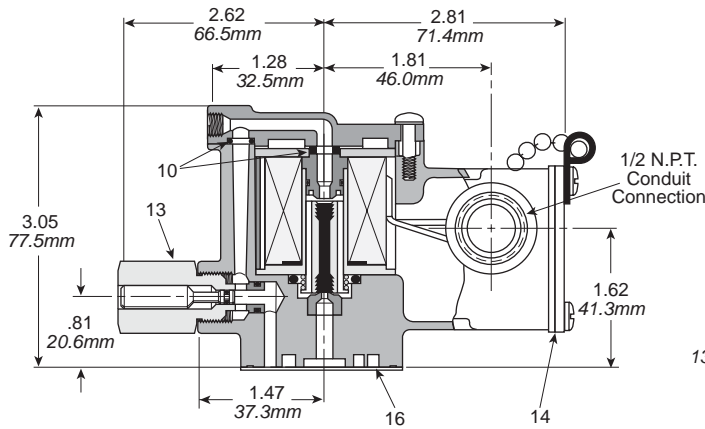
For inventory, lead times, and kit lookup, visit [www.pdnplu.com](http://www.pdnplu.com)

**Replacement Pilots**

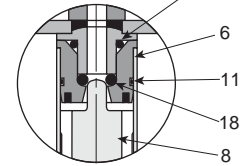


Description	Standard L-pilot		Continuous duty L-pilot	
	Locking	Non-locking	Locking	Non-locking
Override type	Locking	Non-locking	Locking	Non-locking
Basic with override	<b>K0653035**</b>	<b>K0652035**</b>	<b>K0853025**</b>	<b>K0852025**</b>
JIC with junction box & override	<b>K0656035**</b>	<b>K0655035**</b>	<b>K0856025**</b>	<b>K0855025**</b>
JIC pilot with junction box & override & indicator lights (120VAC only)	<b>K0659035**</b>	<b>K0658035**</b>	<b>K0859025**</b>	<b>K0858025**</b>

\*\* Voltage code - (reference model index for availability)



**Standard Duty Pilot Only**



**Continuous Duty Pilot Only**

**Parts List**

Item no.	Part number	Description
4	<b>K593025</b>	Coil 120V 60Hz / 110V 50Hz
	<b>K593035</b>	Coil 240V 60Hz / 220V 50Hz
	<b>K593003</b>	Coil 6VDC / 24V 60Hz
	<b>K593010</b>	Coil 12VDC
	<b>K593014</b>	Coil 24VDC
	<b>K593041</b>	Coil 120VDC
5	<b>H14213</b>	Seal
6	<b>K423006</b>	Top Seat
	<b>K423010</b>	Top Seat (Continuous Duty)
8	<b>K343002</b>	Plunger (STD. Service)
	<b>K343001</b>	Plunger (Continuous Duty)
10*	<b>H14201</b>	Seal
11*	<b>K41RB72011</b>	O-Ring (STD. Service)
	<b>H24969</b>	O-Ring (Continuous Duty)

Item no.	Part number	Description
12	<b>K272004</b>	Plunger Guide
13	<b>K152003</b>	Override Assembly
14	<b>K183047</b>	Cover Gasket
16*	<b>K183001</b>	Gasket
18*	<b>H13473</b>	O-Ring
20*	<b>H13413</b>	O-Ring
22	<b>H19102</b>	120 AC Only - Indicator Light
24	<b>K183108</b>	Gasket

Coil leads are 19" long.  
 \* Parts included in Service Kit.  
 Continuous Duty Kit ..... K352366  
 Standard Service Kit ..... K352166

C

Inline Valves

---

Viking Lite

---

Viking Extreme

---

"B" Series

---

Air Saver Unit

---

ADEX Series

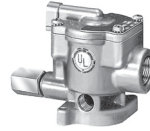
---

"N" Series



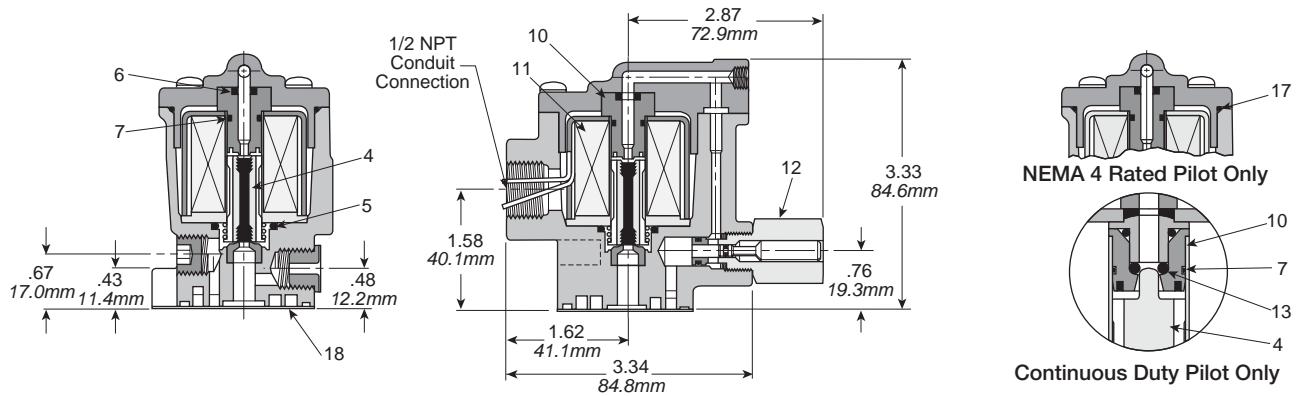
For inventory, lead time, and kit lookup, visit [www.pdnplu.com](http://www.pdnplu.com)

**Replacement Pilots**



Description	Hazardous duty L-pilot		NEMA 4 L-pilot	
	Hazardous duty L-pilot - UL & CSA	<b>K0451025**</b>	N/A	
Override type	Locking	Non-Locking	Locking	Non-Locking
Hazardous duty with override	<b>K0453025**</b>	<b>K0452025**</b>		
NEMA 4 with override			<b>K2553025**</b>	<b>K255202549</b>

\*\* Voltage code - 49 & 53



**Parts List**

Item no.	Part number	Description	Item no.	Part number	Description
4*	<b>K343002</b>	Plunger (STD. Service)	12	<b>K152003</b>	Override Assembly
	<b>K343001</b>	Plunger (Continuous Duty)	13*	<b>H13473</b>	O-Ring
5*	<b>K14213</b>	Seal	17*	<b>H13716</b>	Gasket (NEMA 4 Rated Pilot Only)
6*	<b>K41RB72009</b>	O-Ring	18*	<b>K183001</b>	Gasket
	<b>K41RB72008</b>	O-Ring (STD. Service)			
7*	<b>K41RB72011</b>	O-Ring (STD. Service)			
	<b>H24969</b>	O-Ring (Continuous Duty)			
10	<b>K423001</b>	Top Seat			
	<b>K423002</b>	Top Seat (Continuous Duty)			
	<b>K593025</b>	Coil 120V 60Hz / 110V 50Hz			
	<b>K593035</b>	Coil 240V 60Hz / 220V 50Hz			
	<b>K593003</b>	Coil 6VDC / 24V 60Hz			
11	<b>K593010</b>	Coil 12VDC			
	<b>K593014</b>	Coil 24VDC			
	<b>K593041</b>	Coil 120VDC			

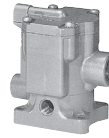
Coil leads are 19" long.  
 \* Parts included in Service Kit.  
 Continuous Duty Kit ..... **K352366**  
 Standard Service Kit ..... **K352166**

**C**  
 Inline Valves  
 Viking Lite  
 Viking Extreme  
 "B" Series  
 Air Saver Unit  
 ADEX Series  
 "N" Series



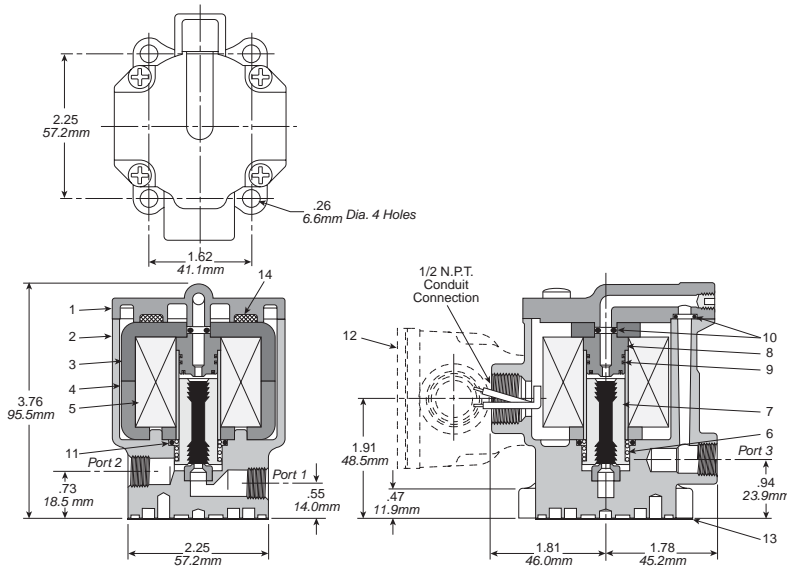
For inventory, lead times, and kit lookup, visit [www.pdnplu.com](http://www.pdnplu.com)

**Replacement Pilots**



Description	Heavy duty P-Pilot		
	No override	Non-locking	Locking
Override type			
Basic with override	<b>K1351045**</b>	N/A	N/A
JIC with junction box & override	N/A	<b>K1355045**</b>	<b>K1356045**</b>
JIC Pilot with junction box & override & indicator lights (120VAC only)	N/A	<b>K135804553</b>	<b>K135904553</b>

\*\* Voltage code - 49 & 53



**Parts List**

Item no.	Part number	Description
1	<b>K062005</b>	Cover Assy
2	<b>K112045</b>	Body, Man. Mtd. (1/8" Bottom Seal)
	<b>K112046</b>	Body, Man. Mtd. (3/16" Bottom Seal)
3	<b>K013001</b>	Magnet Bar
4	<b>K272002</b>	Sleeve Sub Assy
5*	<b>K593108</b>	Coil (115V 60Hz)
	<b>K593112</b>	Coil (230V 60Hz)
	<b>K593097</b>	Coil 24VDC
	<b>K593107</b>	Coil 115VDC

Item no.	Part number	Description
6	<b>K473010</b>	Spring N.O. Valve
	<b>K473011</b>	Spring N.C. Valve
7 •	<b>K343042</b>	Plunger
8	<b>K423020</b>	Top Seat (1/8" Orifice)
	<b>K423022</b>	Top Seat (3/16" Orifice)
9 •	<b>H13436</b>	Seal
10 •	<b>H14202</b>	Seal
11 •	<b>H14215</b>	Seal
12	<b>K322004</b>	Junction Box Kit
13 •	<b>K183012</b>	Gasket

\* Coil leads are 19" long.

• Parts included in Seal Kit K352064.

C

Inline Valves

Viking Lite

Viking Extreme

"B" Series

Air Saver Unit

ADEX Series

"N" Series

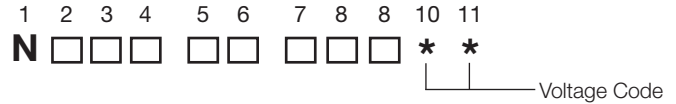


For inventory, lead time, and kit lookup, visit [www.pdnplu.com](http://www.pdnplu.com)



**Coils for Pilot Operated Valves**

The voltage code of the valve can be identified in the 10th and 11th digit of the valve part number.



**L-Pilot Valves**

Voltage Code **	Voltage			Coil	
	60Hz	50Hz	DC	19" Leads	72" Leads
40	12	—	—	<b>K593007</b>	—
41,42	24	—	6	<b>K593003</b>	—
45*	—	—	12	<b>K593010</b>	—
49*	—	—	24 (Standard)	<b>K593014</b>	—
79	—	—	24 (Arc Suppressed)	<b>K593271</b>	—
51*	—	—	48	—	<b>K593185</b>
53*	120	110	—	<b>K593025</b>	—
57*	240	240	—	<b>K593035</b>	—
60	240	220	—	<b>K593035</b>	—
61	—	—	120	<b>K593041</b>	—

\* Indicates voltages approved for solenoid operators designed for use in hazardous locations.

**P-Pilot Valves**

Voltage Code **	Voltage			Coil	
	60Hz	50Hz	DC	19" Leads	72" Leads
43	—	24	—	<b>K593098</b>	—
45	—	—	12	<b>K593094</b>	—
49	—	—	24	<b>K593097</b>	—
51	—	—	48	—	<b>K593254</b>
53	115	—	—	<b>K593108</b>	—
58	—	230	—	<b>K593111</b>	—

**Solenoid Characteristics Chart**

Voltage Range +10/-15% of Nominal

**3/8" & 3/4" Basic – L-Pilot**

Voltage/ Cycles	Amps Inrush	Amps Holding	Resistance		Insulation Class
			Ohms	Watts	
120/60VAC	.29	.18	122	12	B
110/50VAC	.21	.14	122	12	B
240/60VAC	.18	.12	610	12	B
24/50VAC	1.2	.75	6.4	9.5	B
6VDC	—	1.4	4.5	7.6	B
12VDC	—	.66	17.7	9	B
24VDC	—	.32	71	9	B
48VDC	—	.22	216	11	B

**NOTE:** Continuous duty type service is for applications where pilot valve is energized more than ten (10) minutes.

**Solenoid Characteristics Chart**

Voltage Range +10/-15% of Nominal

**1-1/4" Basic – P-Pilot**

Voltage/ Cycles	Amps Inrush	Amps Holding	Resistance		Insulation Class
			Ohms	Watts	
120/60VAC	.46	.25	35	18.5	B
110/50VAC	.36	.19	48	12	B
230/60VAC	.26	.15	125	19.5	B
220/50VAC	.20	.11	191	15	B
24/60VAC	2.3	1.4	1.3	20	B
24/50VAC	1.6	.9	2.1	12	B
12VDC	—	.7	17	8	B
24VDC	—	.33	68	8	B
48VDC	—	.16	275	7.5	B

**NOTE:** Continuous duty type service is for applications where pilot valve is energized more than ten (10) minutes.

**Hazardous Duty Solenoid Listing**

Valves with solenoid operators designed for hazardous locations are UL & CSA Approved as follows:

National Electric Code	Ambient Conditions	NEMA Classification
Class I Div. 1, Group C	Ethyl, Ether, Etc. Gases & Vapors	VII (7)
Class I Div. 1, Group D	Gasoline, Etc. Gases & Vapors	VII (7)
Class I Div. 2, Group B	Butadiene, Etc., Liquid, Fluid or Vapor Normally Contained, or Atmosphere Ventilated	VII (7)
Class II Div. 1, Group E	Metal Dust	IX (9)
Class II Div. 1, Group F	Coal, Coke, Carbon Black Dust	IX (9)
Class II Div. 1, Group G	Flour, Starch, Grain Dust	IX (9)

See Article 500 – Hazardous (Classified) Locations, National Electric Code.

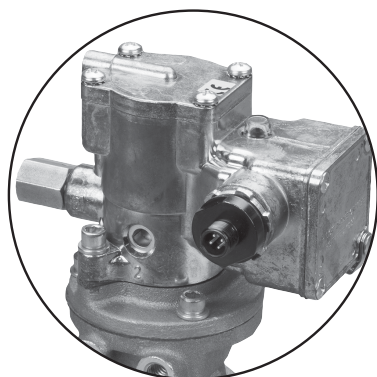


For inventory, lead times, and kit lookup, visit [www.pdnplu.com](http://www.pdnplu.com)

**Flow**

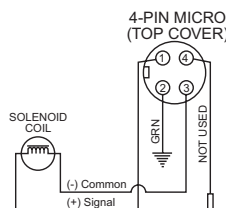
Basic Valve Size	Inlet Port Size	Exhaust Port Size	Cv Inlet to Cylinder	Cv Cylinder to Exhaust
3/8" 3-Way, Normally Closed	3/8" Pipe	1/2" Pipe	3.6	4.2
	1/2" Pipe	1/2" Pipe	3.8	4.3
3/8" 3-Way, Normally Open	3/8" Pipe	1/2" Pipe	3.6	4.1
	1/2" Pipe	1/2" Pipe	3.9	4.5
3/4" 3-Way, Normally Closed	1/2" Pipe	3/4" Pipe	8.2	9.2
	3/4" Pipe	1" Pipe	9.3	10.8
3/4" 3-Way, Normally Open	1/2" Pipe	3/4" Pipe	7.7	6.6
	3/4" Pipe	1" Pipe	9.6	11.4
1-1/4" 3-Way, Normally Closed	1" Pipe	1-1/4" Pipe	19.5	23.5
	1-1/4" Pipe	1-1/2" Pipe	23.3	26.9
	1-1/2" Pipe	1-1/2" Pipe	23.3	26.9
1-1/4" 3-Way, Normally Open	1" Pipe	1-1/4" Pipe	20.4	24.8
	1-1/4" Pipe	1-1/2" Pipe	25.0	29.1
	1-1/2" Pipe	1-1/2" Pipe	26.7	29.9

**Wiring Connections**

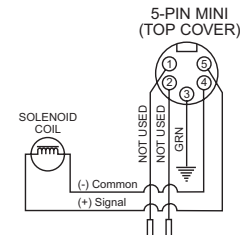


**Chrysler Connection**

**4-Pin Male/Single Solenoid**  
 (Encl. Option J, Wiring Option C)



**5-Pin Male/Single Solenoid**  
 (Encl. Option N, Wiring Option C)



**Automotive Connections**

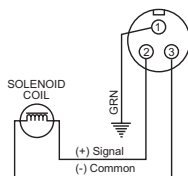
- 3-Pin & 5-Pin "Mini" (7/8 UNF Thread)
- 4-Pin "Micro" (M12 Thread)

**Solenoid Configurations**

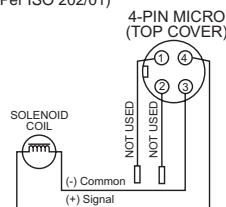
"E", "J", "N"

**Ford Connection**

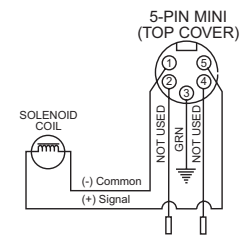
**3-Pin Male/Single Solenoid**  
 (Encl. Option E, Wiring Option F)



**4-Pin Male/Single Solenoid**  
 (Encl. Option J, Wiring Option F)  
 (Per ISO 202/01)

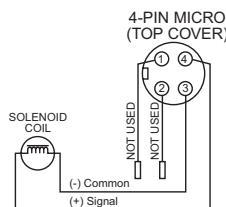


**5-Pin Male/Single Solenoid**  
 (Encl. Option N, Wiring Option F)

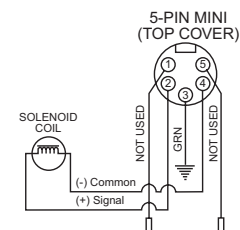


**GM Connection**

**4-Pin Male/Single Solenoid**  
 (Encl. Option J, Wiring Option G)



**5-Pin Male/Single Solenoid**  
 (Encl. Option N, Wiring Option G)



For inventory, lead time, and kit lookup, visit [www.pdnplu.com](http://www.pdnplu.com)

**C**  
 Inline Valves  
 Viking Lite  
 Viking Extreme  
 "B" Series  
 Air Saver Unit  
 ADEX Series  
 "N" Series

**Selection**

Although reasonable safety factors are designed into each speed poppet valve, it is important that application requirements do not exceed the rated limitation of the valve. This precaution insures a sufficient safety factor.

**Life Expectancy**

Normal multimillion cycle life expectancy of high speed poppet series valves is based on the use of properly filtered and lubricated air at room temperature. In actual laboratory tests, the high speed poppet valves provide maintenance-free service life in excess of 20,000,000 cycles.

**Lubrication**

The high speed poppet valves are pre-lubricated to permit use with non-lubricated air. However, air should be lubricated to assure maximum seal life.

F442 lubricating oil is recommended. This oil is specially formulated to provide peak performance and maximum service life from air-operated equipment.

Other good air line lubricating oils may be used provided they atomize readily and are of the medium aniline type. Aniline point range must be between 180°F - 220°F. Viscosity SUS @ 100°F of 140-170. High aniline oils will shrink seals; low aniline oils will swell seals, reducing operating life and expectancy.

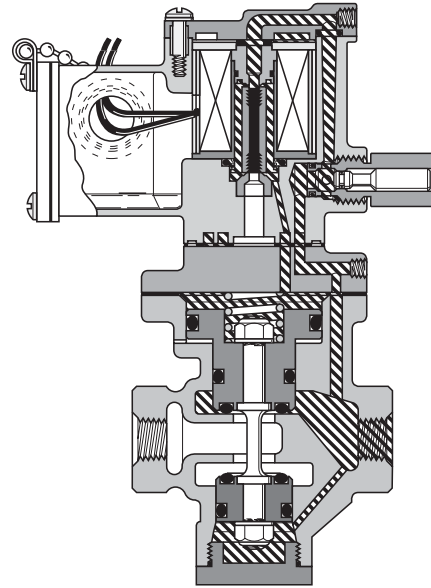
**Installation**

Valves should be installed with reasonable accessibility for service whenever possible. Care should be taken to hold piping length to a minimum and to protect valves from exposure to extreme heat, dirt and moisture. Piping should be clean and clear of dirt and chips. Threads should be the correct size and undamaged. Pipe joint compound should be used sparingly and only on pipe threads, never in the valve body. Care should be taken in installation to avoid undue strain on valve.

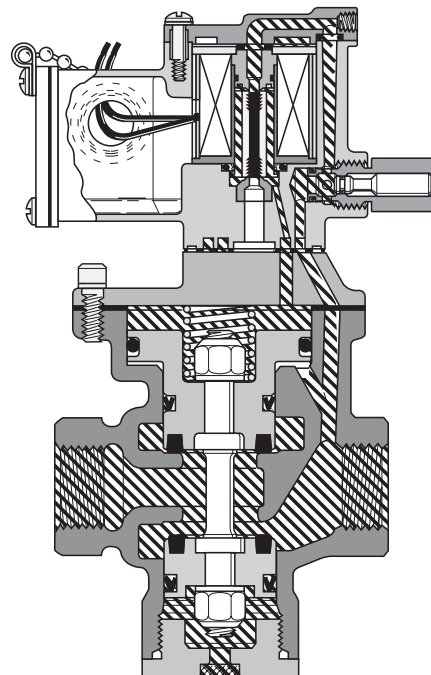
For the small port size options, it is recommended that an air reservoir is located close to the valve inlet as to not starve the valve of air pressure.

**⚠ CAUTION: DO NOT RESTRICT THE INLET TO POPPET VALVES**

Restriction of the inlet can starve the air supply to the pilot section of internally piloted poppet valves and result in slow shifting or failure of the valve to shift properly. Always connect the supply line directly to the inlet of the valve using the full pipe size of the valve inlet. Never use a quick coupling to connect a poppet valve to the air supply. On valves with a small inlet port, use of an upstream surge tank may be required at lower operating pressures to insure an adequate air supply and proper operation.



**3/8" Solenoid Pilot De-Energized  
 Normally Closed**

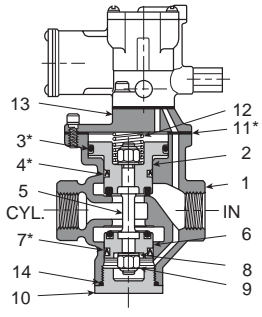


**1-1/4" Solenoid Pilot De-Energized  
 Normally Open**

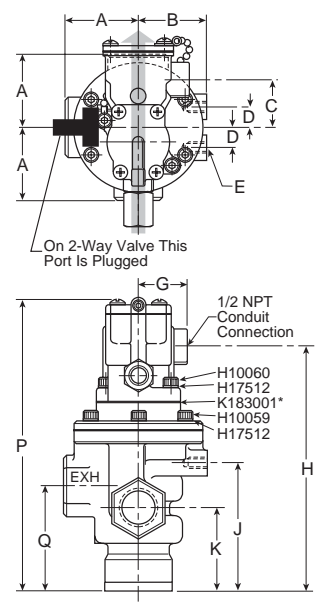
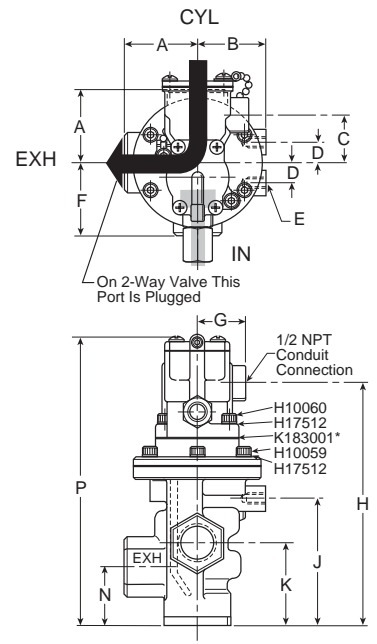
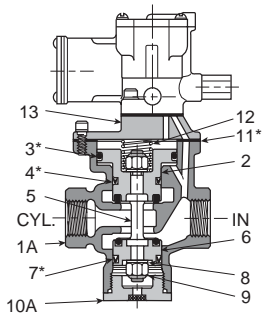
C	Inline Valves
	Viking Lite
	Viking Extreme
	"B" Series
	Air Saver Unit
	ADEX Series
	"N" Series

**Internal Pilot - 3/8" & 3/4" Basic Body**

**Normally Closed**



**Normally Open**



**Exhaust**  
**Pressure**

Top view indicates flow through 3-Way valve with coil de-energized.

**NOTE:** For normal valve operation, override must be in "out" position.

**Internal Pilot -  
3/8" & 3/4" Basic Body**

Key	3/8" Body		3/4" Body	
	Inch	mm	Inch	mm
A	1.56	40	2.13	54
B	1.50	38	1.94	49
C	1.81	46	1.34	34
D	.56	14	.56	14
E	3/8-16UNC 7/16" deep		3/8-16UNC 9/16" deep	
F	1.75	44	2.25	57
G	1.50	38	1.50	38
H	5.92	150	7.14	181
J	3.19	81	3.75	95
K	1.88	47	2.44	62
N	1.44	37	1.78	45
P	7.36	196	8.58	218
Q	2.31	59	3.09	84

**Service Kits**

Include all parts normally required for in-service maintenance:

- 3/8" Basic valve with standard service L-Pilots.....**K352076**
- 3/8" Basic valve with continuous duty L-Pilots.....**K352276**
- 3/4" Basic valve with standard service L-Pilots.....**K352077**
- 3/4" Basic valve with continuous duty L-Pilots.....**K352277**

Key	3/8" Valve	3/4" Valve	Description
1	—	1/2" Tap <b>K053075</b>	Body (N.C.)
	3/8" Tap <b>K053022</b>	3/4" Tap <b>K053076</b>	
	1/2" Tap <b>K053023</b>	1" Tap <b>K053220</b>	
1A	—	3/4" Tap <b>K053077</b>	Body (N.O.)
	3/8" Tap <b>K053025</b>	3/4" Tap <b>K053078</b>	
	1/2" Tap <b>K053026</b>	1" Tap <b>K053218</b>	
2	<b>K212001</b>	<b>K212002</b>	Upper piston assy
3*	<b>H13648</b>	<b>H13728</b>	Seal

Key	3/8" Valve	3/4" Valve	Description
4*	<b>H14510</b>	<b>H13676</b>	U-cup (3/8), o-ring (3/4)
5	<b>K493002</b>	<b>K493009</b>	Stem
6	<b>K202001</b>	<b>K202002</b>	Lower piston assy.
7*	<b>H14509</b>	<b>H13676</b>	U-cup (3/8), o-ring (3/4)
8	<b>H17811</b>	<b>H17813</b>	Washer (2)
9	<b>H06326</b>	<b>H06332</b>	Stop nut (2)
10	<b>K103035</b>	<b>K103053</b>	Bottom cap (N.C.)
10A	<b>K092020</b>	<b>K092034</b>	Bottom cap assy. (N.O.)
11*	<b>K183049</b>	<b>K183057</b>	Gasket
12	<b>K473014</b>	<b>K473015</b>	Spring
13	<b>K563015</b>	<b>K563017</b>	Adapter
14*	<b>K41RB72121</b>	<b>K41RB72221</b>	O-ring

\* Parts included in seal kit



For inventory, lead time, and kit lookup, visit [www.pdnplu.com](http://www.pdnplu.com)

C

Inline Valves

Viking Lite

Viking Extreme

"B" Series

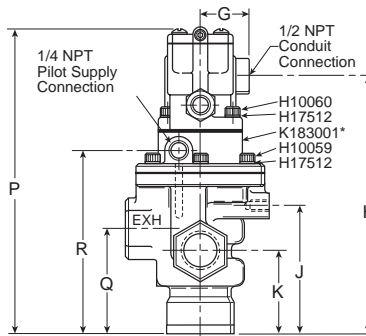
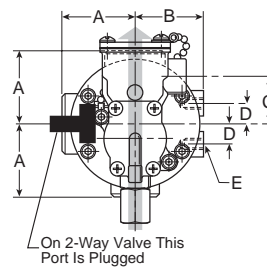
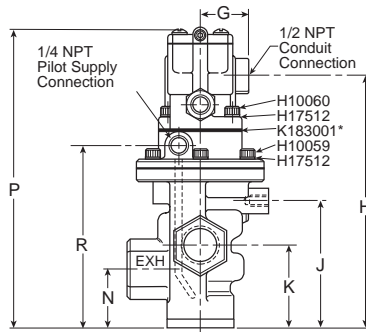
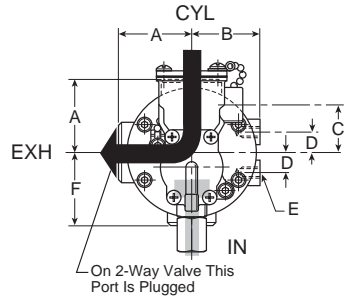
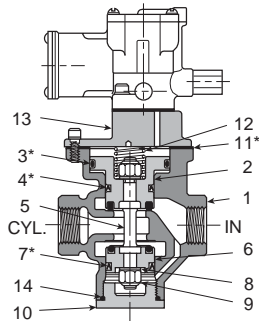
Air Saver Unit

ADEX Series

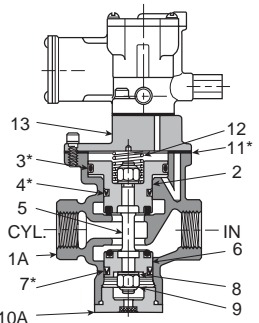
"N" Series

**External Pilot - 3/8" & 3/4" Basic Body**

**Normally Closed**



**Normally Open**



**Exhaust**  
**Pressure**

Top view indicates flow through 3-Way valve with coil de-energized.

**NOTE:** For normal valve operation, override must be in "out" position.

**External Pilot -  
3/8" & 3/4" Basic Body**

Key	3/8" Body		3/4" Body	
	Inch	mm	Inch	mm
A	1.56	40	2.13	54
B	1.50	38	1.94	49
C	1.81	46	1.34	34
D	.56	14	.56	14
E	3/8-16UNC 7/16" deep		3/8-16UNC 9/16" deep	
F	1.75	44	2.25	57
G	1.50	38	1.50	38
H	6.42	163	7.45	189
J	3.19	81	3.75	95
K	1.88	47	2.44	62
N	1.44	37	1.78	45
P	7.86	200	8.89	226
Q	2.31	59	3.09	84
R	4.34	110	5.38	137

**Service Kits**

Include all parts normally required for in-service maintenance:

- 3/8" Basic valve with standard service L-Pilots.....**K352076**
- 3/8" Basic valve with continuous duty L-Pilots.....**K352276**
- 3/4" Basic valve with standard service L-Pilots.....**K352077**
- 3/4" Basic valve with continuous duty L-Pilots.....**K352277**

Key	3/8" Valve	3/4" Valve	Description
	—	1/2" Tap <b>K053067</b>	
1	3/8" Tap <b>K053019</b>	3/4" Tap <b>K053069</b>	Body (N.C.)
	1/2" Tap <b>K053157</b>	1" Tap <b>K053221</b>	
	—	3/4" Tap <b>K053065</b>	
1A	3/8" Tap <b>K053018</b>	3/4" Tap <b>K053070</b>	Body (N.O.)
	1/2" Tap <b>K053064</b>	1" Tap <b>K053219</b>	
	2	<b>K212001</b>	
3*	<b>H13648</b>	<b>H13728</b>	Seal

Key	3/8" Valve	3/4" Valve	Description
4*	<b>K41RB72211</b>	<b>H13676</b>	O-ring
5	<b>K493002</b>	<b>K493009</b>	Stem
6	<b>K202001</b>	<b>K202002</b>	Lower piston assy.
7*	<b>K41RB72210</b>	<b>H13676</b>	O-ring
8	<b>H17811</b>	<b>H17813</b>	Washer (2)
9	<b>H06326</b>	<b>H06332</b>	Stop nut (2)
10	<b>K103035</b>	<b>K103053</b>	Bottom cap (N.C.)
10A	<b>K092020</b>	<b>K092034</b>	Bottom cap assy. (N.O.)
11	<b>K473014</b>	<b>K473015</b>	Spring
12*	<b>K183049</b>	<b>K183057</b>	Gasket
13	<b>K563016</b>	<b>K563021</b>	Adapter
14*	<b>K41RB72121</b>	<b>K41RB72221</b>	O-ring

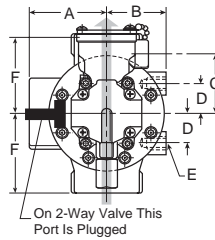
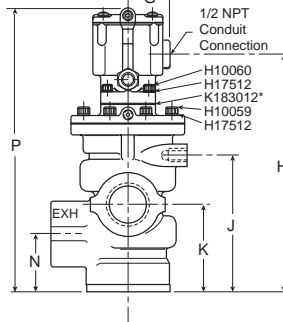
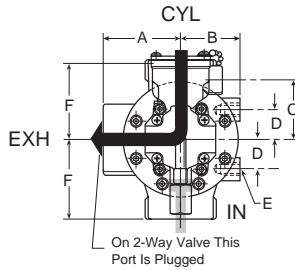
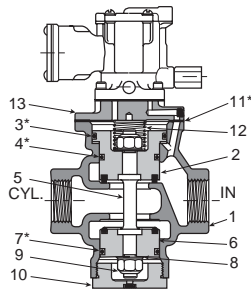
\* Parts included in seal kit



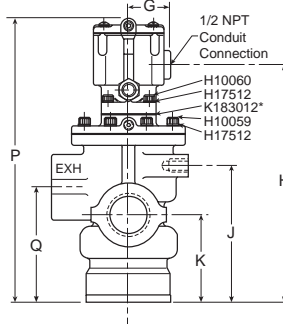
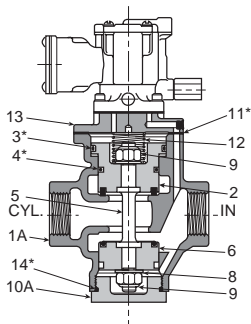
For inventory, lead times, and kit lookup, visit [www.pdnplu.com](http://www.pdnplu.com)

**Internal Pilot - 1-1/4" Basic Body**

**Normally Closed**



**Normally Open**



**Exhaust**  
**Pressure**

Top view indicates flow through 3-Way valve with coil de-energized.

**NOTE:** For normal valve operation, override must be in "out" position.

**Internal Pilot -  
1-1/4" Basic Body**

Key	1-14" Body	
	Inch	mm
A	3.00	76
B	2.25	57
C	1.34	34
D	1.19	30
E	1/2-13 UNC	3/4 Deep
F	3.13	80
G	1.50	38
H	9.30	236
J	5.34	136
K	3.44	87
N	2.31	59
P	11.14	283
Q	4.56	116

**Service Kits**

Include all parts normally required for in-service maintenance:

1-1/4" Basic valve with standard service P-Pilots ..... **K352078**

Key	1-1/4" Valve	Description
1	1" Tap <b>K053111</b>	Body (N.C.)
	1-1/4" Tap <b>K053112</b>	
	1-1/2" Tap <b>K053113</b>	
1A	1" Tap <b>K053114</b>	Body (N.O.)
	1-1/4" Tap <b>K053115</b>	
	1-1/2" Tap <b>K053116</b>	
2	<b>K313029</b>	Upper piston assy
3*	<b>H13752</b>	O-ring

Key	1-1/4" Valve	Description
4*	<b>H13728</b>	Seal
5	<b>K493016</b>	Stem
6	<b>K313028</b>	Lower piston
7*	<b>H13728</b>	Seal
8	<b>H17817</b>	Washer
9	<b>H06338</b>	Stop nut
10	<b>K092046</b>	Bottom cap (N.C.)
10A	<b>K103061</b>	Bottom cap (N.O.)
11*	<b>K183058</b>	Gasket
12	<b>K473016</b>	Spring
13	<b>K012003</b>	Adapter
14*	<b>K41RB72143</b>	O-ring

\* Parts included in seal kit

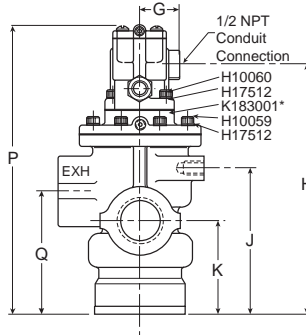
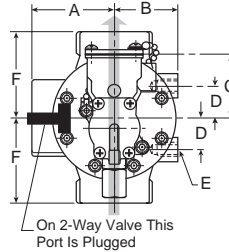
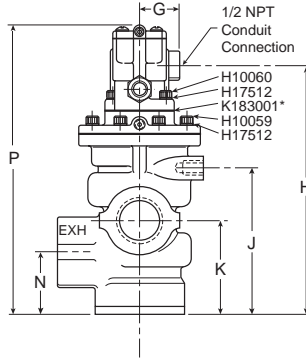
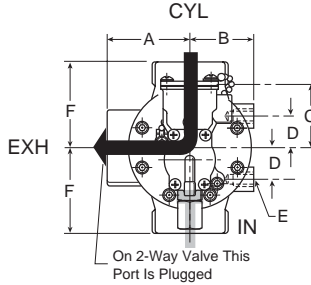
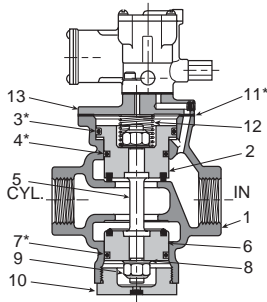


For inventory, lead time, and kit lookup, visit [www.pdnplu.com](http://www.pdnplu.com)

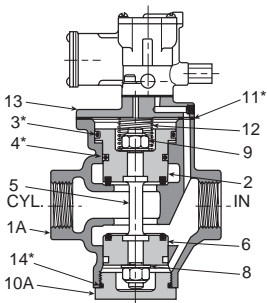


Continuous Duty Pilot - 1-1/4" Basic Body

Normally Closed



Normally Open



**Exhaust**  
**Pressure**

Top view indicates flow through 3-Way valve with coil de-energized.

NOTE: For normal valve operation, override must be in "out" position.

Continuous Duty Pilot - 1-1/4" Basic Body

Key	1-1/4" Body	
	Inch	mm
A	3.00	76
B	2.25	57
C	1.34	34
D	1.19	30
E	1/2-13 UNC	3/4 Deep
F	3.13	80
G	1.50	38
H	9.02	229
J	5.34	136
K	3.44	87
N	2.31	59
P	10.45	265
Q	4.56	116

Service Kits

Include all parts normally required for in-service maintenance:

1-1/4" Basic valve with continuous duty L-Pilot.....**K352080**

Key	1-1/4" Valve	Description
	1" Tap <b>K053111</b>	
1	1-1/4" Tap <b>K053112</b>	Body (N.C.)
	1-1/2" Tap <b>K053113</b>	
	1" Tap <b>K053114</b>	
1A	1-1/4" Tap <b>K053115</b>	Body (N.O.)
	1-1/2" Tap <b>K053116</b>	
	2	
3*	<b>H13752</b>	O-Ring

Key	1-1/4" Valve	Description
4*	<b>H13728</b>	Seal
5	<b>K493016</b>	Stem
6	<b>K313028</b>	Lower piston
7*	<b>H13728</b>	Seal
8	<b>H17817</b>	Washer
9	<b>H06338</b>	Stop nut
10	<b>K092046</b>	Bottom cap (N.C.)
10A	<b>K103061</b>	Bottom cap (N.O.)
11*	<b>K183058</b>	Gasket
12	<b>K473016</b>	Spring
13	<b>K012003</b>	Adapter
14*	<b>K41RB72143</b>	O-ring

\* Parts included in seal kit

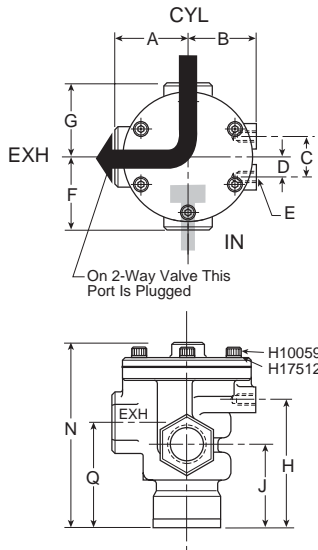
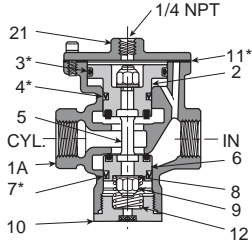
**C**  
 Inline Valves  
 Viking Lite  
 Viking Extreme  
 "B" Series  
 Air Saver Unit  
 ADEX Series  
 "N" Series



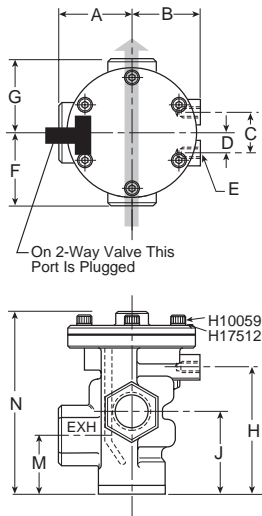
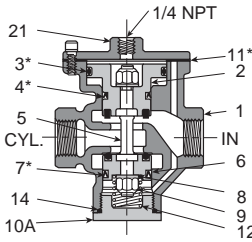
For inventory, lead times, and kit lookup, visit [www.pdnplu.com](http://www.pdnplu.com)

**Internal Return - 3/8", 3/4", 1-1/4" Basic Body**

**Normally Closed**



**Normally Open**



**Exhaust**  
**Pressure**

Top view indicates flow through 3-Way valve.

**NOTE:** For normal valve operation, override must be in "out" position.

**Internal Return - 3/8", 3/4", 1-1/4" Basic Body**

Key	3/8" Body		3/4" Body		1-1/4" Body	
	Inch	mm	Inch	mm	Inch	mm
A	1.56	40	2.13	54	3.00	76
B	1.50	38	1.94	49	2.25	57
C	1.13	29	1.13	29	2.38	60
D	.56	14	.56	14	1.19	30
E	3/8-16UNC 7/16" deep		3/8-16UNC 9/16" deep		1/2-13UNC 3/4" deep	
F	1.75	44	2.25	57	3.13	79
G	1.56	40	2.13	54	3.13	79
H	3.19	81	3.75	95	5.34	136
J	1.88	48	2.44	62	3.44	87
M	1.44	37	1.78	45	2.66	67
N	4.22	107	5.31	135	7.19	183
Q	2.31	59	3.09	78	4.56	116

**Service Kits**

Include all parts normally required for in-service maintenance:

- 3/8" Basic valve.....**K352073**
- 3/4" Basic valve.....**K352074**
- 1-1/4" Basic valve .....**K352075**

Key	3/8" Valve	3/4" Valve	1-1/4" Valve	Description
1	—	1/2" Tap <b>K053075</b>	1" Tap <b>K053111</b>	Body (N.O.)
	3/8" Tap <b>K053022</b>	3/4" Tap <b>K053076</b>	1-1/4" Tap <b>K053112</b>	
	1/2" Tap <b>K053023</b>	1" Tap <b>K053220</b>	1-1/2" Tap <b>K053113</b>	
1A	—	1/2" Tap <b>K053077</b>	1" Tap <b>K053114</b>	Body (N.C.)
	3/8" Tap <b>K053025</b>	3/4" Tap <b>K053078</b>	1-1/4" Tap <b>K053115</b>	
	1/2" Tap <b>K053026</b>	1" Tap <b>K053218</b>	1-1/2" Tap <b>K053116</b>	
2	<b>K212001</b>	<b>K212002</b>	<b>K313029</b>	Upper piston assy
3*	<b>H13648</b>	<b>H13728</b>	<b>H13752</b>	Seal
4*	<b>H14510</b>	<b>H13676</b>	<b>H13728</b>	Seal

Key	3/8" Valve	3/4" Valve	1-1/4" Valve	Description
5	<b>K493002</b>	<b>K493009</b>	<b>K493016</b>	Stem
6	<b>K202001</b>	<b>K202002</b>	<b>K313028</b>	Lower piston assy.
7*	<b>H13499</b>	<b>H13676</b>	<b>H13728</b>	Seal
8	<b>H17811</b>	<b>H17813</b>	<b>H17817</b>	Washer (2)
9	<b>H06326</b>	<b>H06332</b>	<b>H06338</b>	Stop nut (2)
10	<b>K092020</b>	<b>K092034</b>	<b>K092046</b>	Bottom cap (N.C.)
10A	<b>K103035</b>	<b>K103053</b>	<b>K103061</b>	Bottom cap (N.O.)
11*	<b>K183049</b>	<b>K183057</b>	<b>K183058</b>	Gasket
12	<b>K473014</b>	<b>K473015</b>	<b>K473016</b>	Spring
14*	<b>K41RB72121</b>	<b>K41RB72221</b>	<b>K41RB72143</b>	O-ring
21	<b>K123018</b>	<b>K123021</b>	<b>K123024</b>	Cover

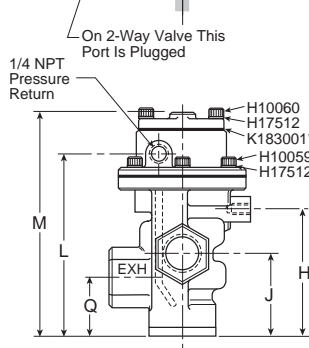
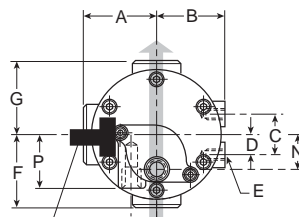
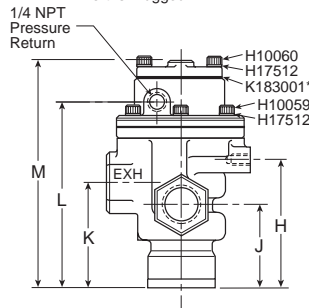
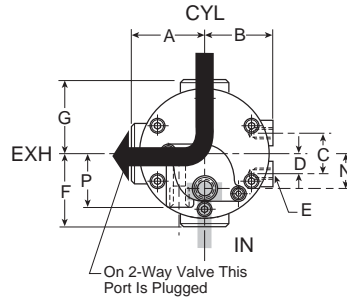
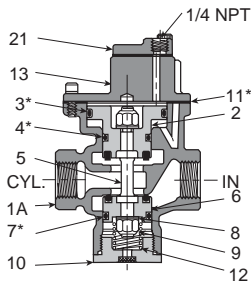
\* Parts included in seal kit



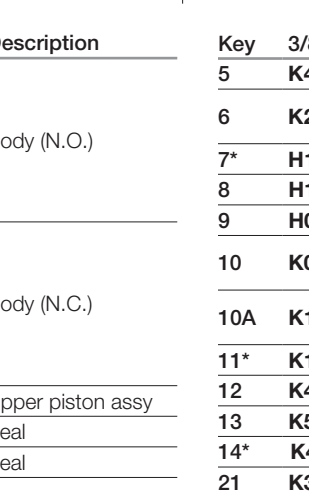
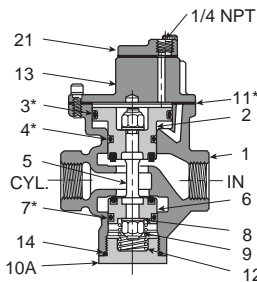
For inventory, lead time, and kit lookup, visit [www.pdnplu.com](http://www.pdnplu.com)

**External Return - 3/8", 3/4", 1-1/4" Basic Body**

**Normally Closed**



**Normally Open**



**Exhaust**  
**Pressure**

Top view indicates flow through 3-Way valve.

**NOTE:** For normal valve operation, override must be in "out" position.

**Internal Return - 3/8", 3/4", 1-1/4" Basic Body**

Key	3/8" Body		3/4" Body		1-1/4" Body	
	Inch	mm	Inch	mm	Inch	mm
A	1.56	40	2.13	54	3.00	76
B	1.50	38	1.94	49	2.25	57
C	1.13	29	1.13	29	2.38	60
D	.56	14	.56	14	1.19	30
E	3/8-16UNC 7/16" deep		3/8- 16UNC 9/16" deep		1/2-13UNC 3/4" deep	
F	1.75	44	2.25	57	3.13	79
G	1.56	40	2.13	54	3.13	79
H	3.19	81	3.75	95	5.34	136
J	1.88	48	2.44	62	3.44	87
K	2.31	59	3.09	78	4.56	116
L	4.34	110	5.38	137	7.31	186
M	5.31	135	6.34	161	7.88	200
N	Left of center			On center		
Q	1.44	37	1.78	45	2.31	59

**Service Kits**

Include all parts normally required for in-service maintenance:

- 3/4" Basic valve.....**K352056**
- 1-1/4" Basic valve .....**K352083**

Key	3/8" Valve	3/4" Valve	1-1/4" Valve	Description
1	1/4" Tap <b>K053011</b>	1/2" Tap <b>K053067</b>	1" Tap <b>K053143</b>	Body (N.O.)
	—	3/4" Tap <b>K053069</b>	—	
1A	1/2" Tap <b>K053157</b>	1" Tap <b>K053221</b>	1-1/2" Tap <b>K053146</b>	Body (N.C.)
	1/4" Tap <b>K053010</b>	1/2" Tap <b>K053065</b>	1" Tap <b>K053159</b>	
2	—	3/4" Tap <b>K053070</b>	1-1/4" Tap <b>K053144</b>	Upper piston assy
	1/2" Tap <b>K053064</b>	1" Tap <b>K053219</b>	1-1/2" Tap <b>K053145</b>	
3*	<b>H13648</b>	<b>H13728</b>	<b>H13752</b>	Seal
4*	<b>H13529</b>	<b>H13676</b>	<b>H13728</b>	Seal

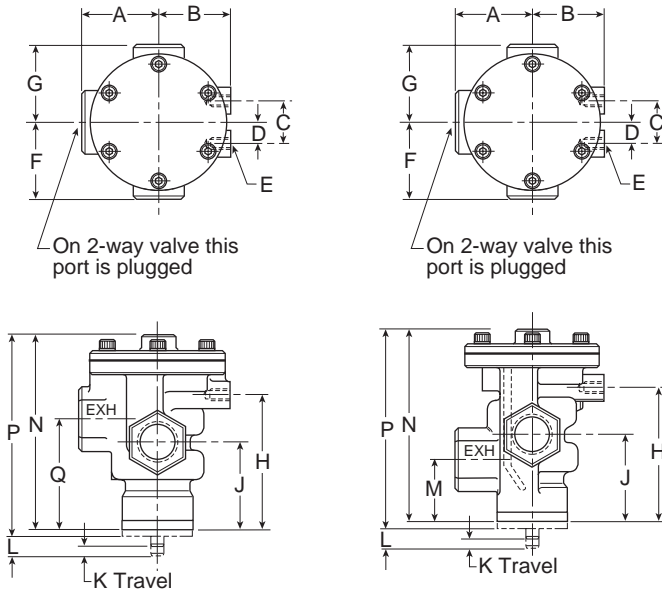
Key	3/8" Valve	3/4" Valve	1-1/4" Valve	Description
5	<b>K493002</b>	<b>K493009</b>	<b>K493016</b>	Stem
6	<b>K202001</b>	<b>K202002</b>	<b>K313028</b>	Lower piston assy.
7*	<b>H13499</b>	<b>H13676</b>	<b>H13728</b>	Seal
8	<b>H17811</b>	<b>H17813</b>	<b>H17817</b>	Washer (2)
9	<b>H06326</b>	<b>H06332</b>	<b>H06338</b>	Stop nut (2)
10	<b>K092020</b>	<b>K092034</b>	<b>K092046</b>	Bottom cap assy. (N.C.)
10A	<b>K103035</b>	<b>K103053</b>	<b>K103061</b>	Bottom cap (N.O.)
11*	<b>K183049</b>	<b>K183057</b>	<b>K183058</b>	Gasket
12	<b>K473014</b>	<b>K473015</b>	<b>K473016</b>	Spring
13	<b>K563016</b>	<b>K563021</b>	<b>K563027</b>	Adapter
14*	<b>K41RB72121</b>	<b>K41RB72221</b>	<b>K41RB72143</b>	O-ring
21	<b>K323027</b>	<b>K323027</b>	Not used	Cover

\* Parts included in seal kit



For inventory, lead times, and kit lookup, visit [www.pdnplu.com](http://www.pdnplu.com)

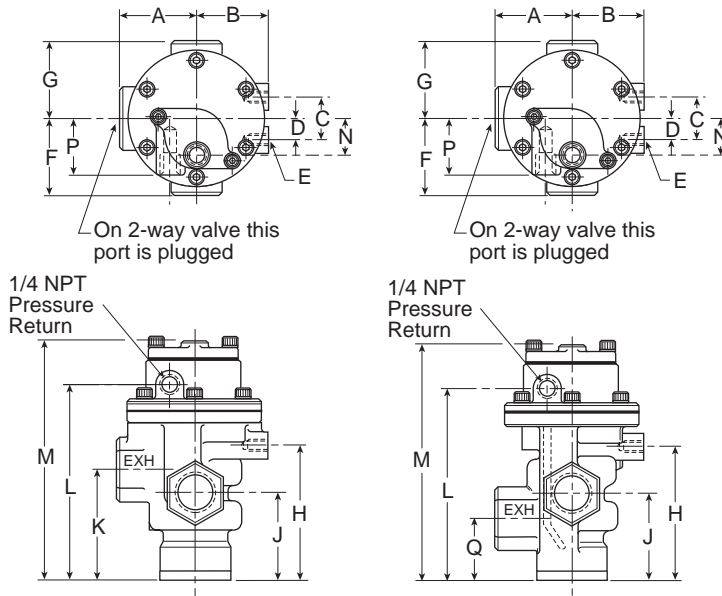
**Internal Return - 3/8", 3/4" & 1-1/4" Basic Body**



**Internal Return - 3/8", 3/4" & 1-1/4" Basic Body**

Key	3/8" Body		3/4" Body		1-1/4" Body	
	Inch	mm	Inch	mm	Inch	mm
A	1.56	40	2.13	54	3.00	76
B	1.50	38	1.94	49	2.25	57
C	1.13	29	1.13	29	2.38	60
D	.56	14	.56	14	1.19	30
E	3/8-16UNC 7/16" deep		3/8-16UNC 9/16" deep		1/2-13UNC 3/4" deep	
F	1.75	44	2.25	57	3.13	79
G	1.56	40	2.13	54	3.13	79
H	3.19	81	3.75	95	5.34	136
J	1.88	48	2.44	62	3.44	87
K	.50	13	.50	13	.50	13
L	.11	3	.16	4	.25	6
M	1.44	37	1.78	45	2.66	67
N	4.22	107	5.31	135	7.19	183
P	4.78	121	5.56	141	7.53	191
Q	2.31	59	3.09	78	4.56	116

**External Return - 3/8", 3/4" & 1-1/4" Basic Body**



**External Return - 3/8", 3/4" & 1-1/4" Basic Body**

Key	3/8" Body		3/4" Body		1-1/4" Body	
	Inch	mm	Inch	mm	Inch	mm
A	1.56	40	2.13	54	3.00	76
B	1.50	38	1.94	49	2.25	57
C	1.13	29	1.13	29	2.38	60
D	.56	14	.56	14	1.19	30
E	3/8-16UNC 7/16" deep		3/8-16UNC 9/16" deep		1/2-13UNC 3/4" deep	
F	1.75	44	2.25	57	3.13	79
G	1.56	40	2.13	54	3.13	79
H	3.19	81	3.75	95	5.34	136
J	1.88	48	2.44	62	3.44	87
K	2.31	59	3.09	78	4.56	116
L	4.34	110	5.38	137	7.31	186
M	5.31	135	6.34	161	7.88	200
N	Left of center .53 13		On center 1.00 25			
Q	1.44	37	1.78	45	2.31	59

C

Inline Valves

Viking Lite

Viking Extreme

"B" Series

Air Saver Unit

ADEX Series

"N" Series

C

Inline Valves

Viking  
Lite

Viking  
Extreme

"B"  
Series

Air Saver  
Unit

ADEX  
Series

"N"  
Series

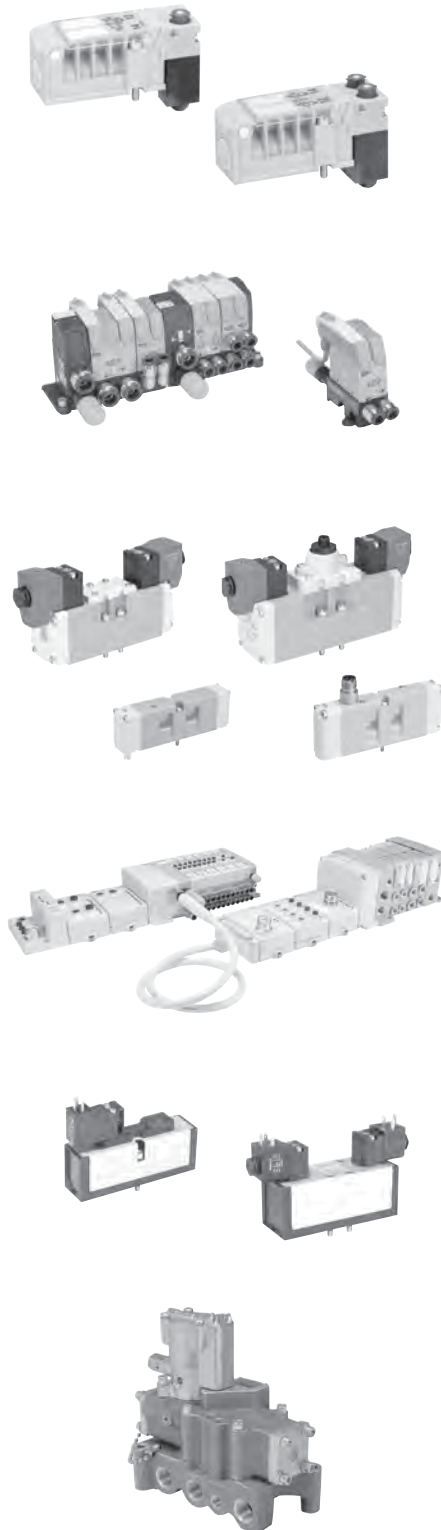


For inventory, lead times, and kit lookup, visit [www.pdnplu.com](http://www.pdnplu.com)

C114

**Parker Hannifin Corporation**  
Pneumatic Division  
Richland, Michigan  
[www.parker.com/pneumatics](http://www.parker.com/pneumatics)

**Pneumatic Valve Products**  
**Subbase and Manifold Valve Series**



**H Series Micro**

Features	D2-D3
Common Part Numbers	D4-D5
Ordering Information	D6-D11
Accessories	D12
Technical / Dimensional Data	D13-D27

**Moduflex Series**

Features	D28-D32
Common Part Numbers / Ordering Information	D33-D45
Technical Data	D46-D66
Dimensional Data	D67-D71

**H Series ISO**

<b>Plug-In</b>	
15407-2, Size 02 & 01	D72-D73
5599-2, Size 1, 2, 3	D85-D100
<b>Non Plug-In</b>	
15407-1, Size 02 & 01	D101-D107
5599-1, Size 1, 2, 3	D108-D122
Technical Data / Accessories	D123-D130
Dimensional Data	D131-D137

**Fieldbus**

Features	D138
Moduflex	D139-D146
H Series	D147-D163
Turck	D164-D183
Accessories / Cables	D184-D187
Technical / Dimensional Data	D188-D202

**DX Series**

Features	D203
<b>Non Plug-In</b>	
15407-1, Size 02 & 01	D204-D214
5599-1, Size 1, 2, 3	D215-D225
Technical Data / Accessories	D225-D239
Dimensional Data	D240-D246

**Valvair II Series**

Features	D247
Common Part Numbers / Ordering Information	D248-D253
Technical Data / Accessories	D254-D261
Dimensional Data	D262-D272

**D**

**Subbase & Manual Valves**





Features

**H Series Micro**

The H Series Micro Valve System incorporates a space saving back to back valve mounting design, and achieves flow rates of 0.35 Cv per valve with 4 valves having a combined width of 42mm. This plug-in valve solution simplifies wiring with the use of 25 pin connectors or fieldbus systems.

**Ports**

- M7 on manifolds
- 3/8 Inch on end plates

**Mounting**

- Manifold

**Solenoids**

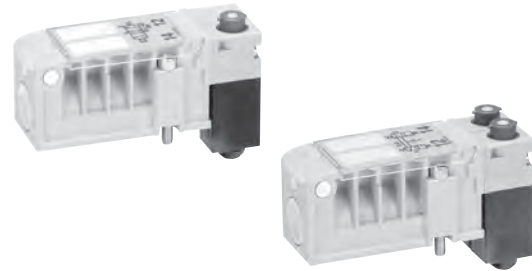
- 24 VDC, 1.0 watt

**Certification / approval**

- IP65 rated
- EMC / CE Mark: According to EN 61 000-6-2

**Material specifications**

Body	Polyamide reinforced fiberglass
End plates	Aluminum
Fasteners	Zinc plated steel
Manifolds	Aluminum
Spool	Brass and nitrile rubber
Spool enclosure	Brass



**Operating information**

Operating pressure: Vacuum to 120 PSIG (Vacuum to 8.2 bar)

Temperature range: 5°F to 120°F (-15°C to 49°C)

**2-Position & Dual 3/2**

0.35 Cv  
C = 1.2 NI/s x bar, b = 0.13  
Qn = 282 NI/min  
Qmax = 510 NI/min

**3-Position**

0.30 Cv  
C = 1 NI/s x bar, b = 0.13  
Qn = 228 NI/min  
Qmax = 402 NI/min

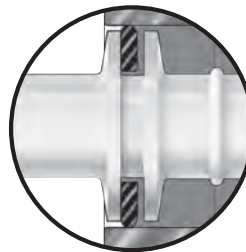
Pilot pressure requirements:

Valve number	Minimum pilot pressure	Maximum pilot pressure
HMEVX2049A	40 PSI	120 PSI
HM2VX2049A	25 PSI	120 PSI
HM5VX2049A	45 PSI	120 PSI
HMNVX2049A	40 PSI	120 PSI
HMPVX2049A	40 PSI	120 PSI
HMQVX2049A	40 PSI	120 PSI

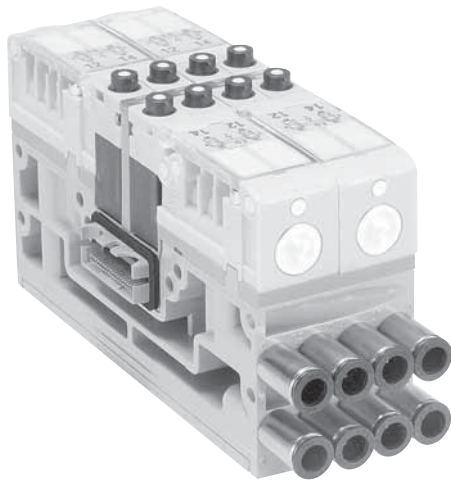
**D**  
 Subbase & Manual Valves  
 H Series Micro  
 Moduteflex Series  
 H Series ISO  
 Fieldbus Systems  
 DX ISOMAX Series  
 Valvair II Series

**Wear Compensation System**

- **Maximum Performance**
  - Low Friction
  - Lower Operating Pressures
  - Fast Response
  - Less Wear
- **Long Cycle Life** - Under pressure, radial expansion of the seal occurs to maintain sealing contact with the valve bore.
- **Non-Lube Service** - No lubrication required for continuous valve shifting.
- **Bi-Directional Spool Seals** - Common spool used for any pressure, including vacuum.



For inventory, lead times, and kit lookup, visit [www.pdnplu.com](http://www.pdnplu.com)



**Innovative Product Design**

- Back to back valve mounting design centralizes wiring in the manifold
- 4 valves on a 42mm wide manifold provides a 10.5mm wide valve solution with a reduced cost
- High flow of 0.35 Cv allows for broad application use
- Plug-in valve electronics reduce and eliminate wiring system costs
- Multiple pressure zones for many applications on the same manifold

**Standard Features**

- Integrated LED's identify when solenoids are active
- Side and bottom porting options on manifolds and end plates for versatile mounting
- All valve functions available for complete product offering
- Valves can be arranged in any combination for maximum flexibility
- Internal and external pilot options available for vacuum to 145 PSI applications
- IP65 protection enables direct machine mounting
- Product identification, valve function, and port description tags are standard on every manifold and are clearly visible thru a protective cover
- User configurable overrides for non-locking, locking, or no override options

**Manifold Platforms**

- 25 pin D-sub manifolds for control systems with discrete Outputs
- IO-Link Type A & Type B communication modules
- Cost effective moduflex fieldbus manifolds for control systems with DeviceNet™, Profibus®, Interbus and CANopen fieldbus and no inputs or outputs near valves
- Cost effective moduflex fieldbus manifolds with AS-i communication offer both Inputs and solenoid control
- Fully functional H Series fieldbus manifolds for control systems with inputs and outputs attached to the valve manifold
- Enhanced H Series bus expansion allows 4 H Series fieldbus valve manifolds to be connected to a single communication module significantly reducing costs on large machines
- Rockwell Automation RS Logix 5000™ users can take Advantage of Preferred Connectivity, by using the preloaded device profiles

**Complete Assemblies**

- All products offered as component level parts for individual assembly
- Simple manifolds offer sub-assembly level products with valves and fittings attached to manifold bases in a single part number
- Add-a-fold systems offer complete assemblies; including valves, manifolds, end plates, fittings, and mufflers in as few as 2 part numbers

**D**

Subbase & Manual Valves

H Series Micro

Moduflex Series

H Series ISO

Fieldbus Systems




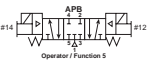

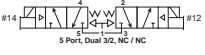
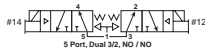
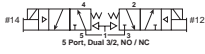


DX ISOMAX Series

Valvair II Series



For inventory, lead time, and kit lookup, visit [www.pdnplu.com](http://www.pdnplu.com)

**H Series Micro Valves**

	Symbol	Type	Cv	Operator	Part number
		4-way, 2-position	0.35	Single solenoid	<b>HMEVX2049A</b>
		4-way, 2-position	0.35	Double solenoid	<b>HM2VX2049A</b>
		4-way, 3-position, all ports blocked	0.3	Double solenoid	<b>HM5VX2049A</b>
		3-way, 2-position, dual valve, NC/NC	0.35	Double solenoid	<b>HMNVX2049A</b>
		3-way, 2-position, dual valve, NO/NO	0.35	Double solenoid	<b>HMPVX2049A</b>
		3-way, 2-position, dual valve, NO/NC	0.35	Double solenoid	<b>HMQVX2049A</b>
		Blanking plate	N/A	N/A	<b>HMBVX00XXA</b>
		Intermediate air supply	N/A	N/A	<b>HMCVX00XXA</b>

- All valves, except double solenoid 2-position, ship with multi functional overrides. Standard valve configuration is non-locking manual override. Each solenoid can be configured for locking override or no override with the included manual override caps.
- All valve options include an LED, which is built into the manifold.
- All valve options pull pilot pressure from the manifold. The manifold assembly can be configured for internal or external pilot on the end plate.

**Manifold Bases**

	Part numbers				
<b>Plug-in valve manifolds</b>					
Single solenoid outputs only	<table border="1"> <tr> <th>Side port</th> <th>Bottom port</th> </tr> <tr> <td><b>PSM21JAP</b></td> <td><b>PSM22JAP</b></td> </tr> </table>	Side port	Bottom port	<b>PSM21JAP</b>	<b>PSM22JAP</b>
Side port	Bottom port				
<b>PSM21JAP</b>	<b>PSM22JAP</b>				
Double or single solenoid outputs	<table border="1"> <tr> <th>Side port</th> <th>Bottom port</th> </tr> <tr> <td><b>PSM21MAP</b></td> <td><b>PSM22MAP</b></td> </tr> </table>	Side port	Bottom port	<b>PSM21MAP</b>	<b>PSM22MAP</b>
Side port	Bottom port				
<b>PSM21MAP</b>	<b>PSM22MAP</b>				

Each manifold holds 4 H Series Micro Valves. Double address circuit boards contain outputs for 8 solenoids, and can be used with any valve. When a single solenoid valve is used, one address is not used but is still present on the manifold. Single address circuit boards contain outputs for 4 solenoids. Only single solenoid valves can be used.

 Most popular.









**D**  
Subbase & Manual Valves  
H Series Micro  
Modutrex Series  
H Series ISO  
Fieldbus Systems  
DX ISOMAX Series  
Valvair II Series




For inventory, lead times, and kit lookup, visit [www.pdnplu.com](http://www.pdnplu.com)

Common Part Numbers

Internal Pilot End Plate Kits

	Electrical option	Porting	Side port	Bottom port
	25-pin, D-sub	NPT	<b>PSML25AP</b>	<b>PSML26AP</b>
		BSPP	<b>PSML21AP</b>	<b>PSML22AP</b>
	Turck fieldbus with valve driver module - 16 outputs	NPT	<b>PSMT15AP</b>	<b>PSMT16AP</b>
		BSPP	<b>PSMT11AP</b>	<b>PSMT12AP</b>
	Turck fieldbus with valve driver module - 32 outputs	NPT	<b>PSMT25AP</b>	<b>PSMT26AP</b>
		BSPP	<b>PSMT21AP</b>	<b>PSMT22AP</b>
	Moduflex up to 24 outputs	NPT	<b>PSMM45AP</b>	<b>PSMM46AP</b>
		BSPP	<b>PSMM41AP</b>	<b>PSMM42AP</b>
	H Series Fieldbus with valve driver module	NPT	<b>PSML65AP</b>	<b>PSML66AP</b>
		BSPP	<b>PSML61AP</b>	<b>PSML62AP</b>
	H Series Fieldbus with valve driver module and bus extension connector	NPT	<b>PSMM55AP</b>	<b>PSMM56AP</b>
		BSPP	<b>PSMM51AP</b>	<b>PSMM52AP</b>
	H Series Fieldbus with valve driver module and 24VDC connector	NPT	<b>PSMM65AP</b>	<b>PSMM66AP</b>
		BSPP	<b>PSMM61AP</b>	<b>PSMM62AP</b>
	H Series Fieldbus with valve driver module, bus extension connector and 24VDC connector	NPT	<b>PSMM75AP</b>	<b>PSMM76AP</b>
		BSPP	<b>PSMM71AP</b>	<b>PSMM72AP</b>

 Most popular.

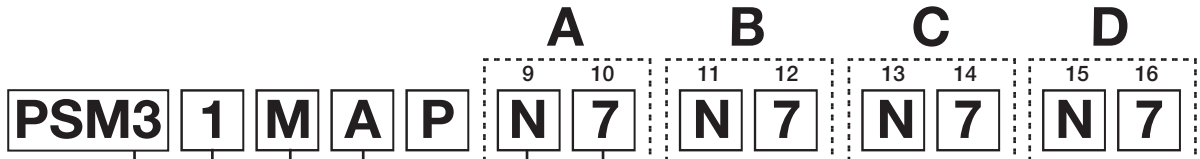


For inventory, lead time, and kit lookup, visit [www.pdnplu.com](http://www.pdnplu.com)

Ordering Information

Simple Manifold Assemblies

Includes a valve manifold with 4 valves and fittings installed.  
End Plates must be ordered separately.



Base style	
4-Station manifold with valve and / or fitting	PSM3

Mounting style	
Side ported	1
Bottom ported	2

Enclosure / Lead length	
Single address circuit board	J
Double address circuit board	M

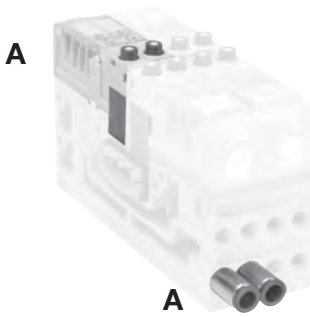
Engineering level	
Current	A

10, 12, 14, 16 Fitting	
0	Without fitting
4	Straight fitting for 5/32 inch or 4mm OD tube
6	Straight fitting for 6mm OD tube
7	Straight fitting for 1/4 inch OD tube
P	Plug for blanking module

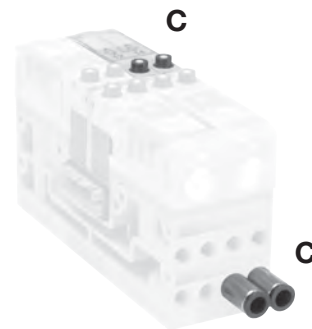
9, 11, 13, 15 Valve type	
N*	Double solenoid, dual 3/2, NC/NC
P*	Double solenoid, dual 3/2, NO/NO
Q*	Double solenoid, dual 3/2, 14 end NO - 12 end NC
E	Single solenoid, 2-position - air return, spring assist
2*	Double solenoid, 2-position
5*	Double solenoid, 3-position - APB
B**	Blanking module
C	Intermediate air supply module

\* Requires double address circuit board, enclosure "M".  
\*\* Requires fitting "P".

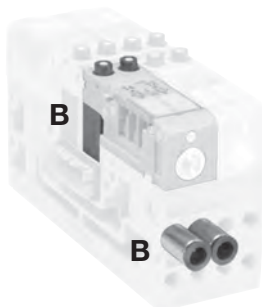
**D**  
 Subbase & Manual Valves  
 H Series Micro  
 Modutrex Series  
 H Series ISO  
 Fieldbus Systems  
 DX ISOMAX Series  
 Valvair II Series



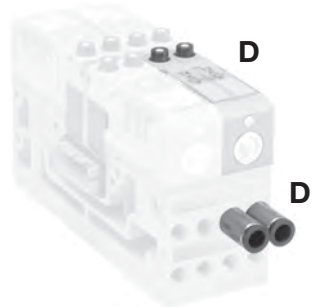
Valve Position A - Character 9  
Fitting Position A - Character 10



Valve Position C - Character 13  
Fitting Position C - Character 14



Valve Position B - Character 11  
Fitting Position B - Character 12



Valve Position D - Character 15  
Fitting Position D - Character 16

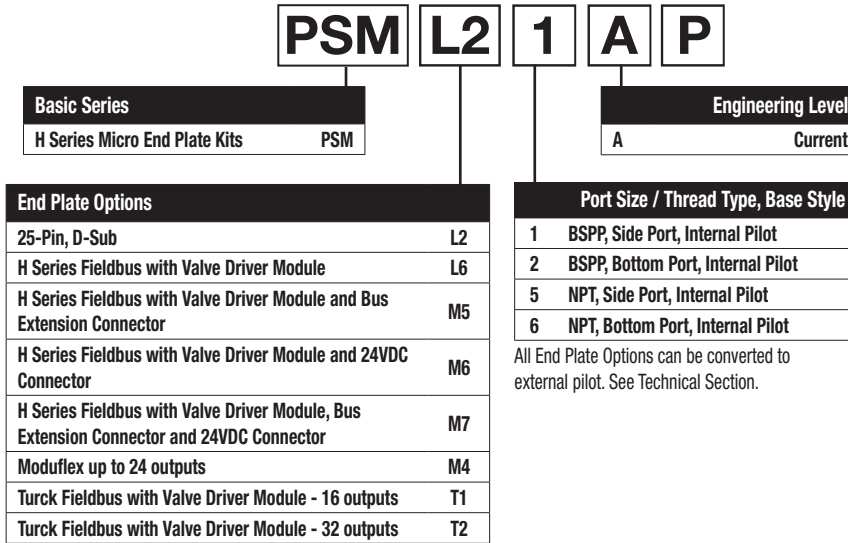
Most popular.



For inventory, lead times, and kit lookup, visit [www.pdnplu.com](http://www.pdnplu.com)

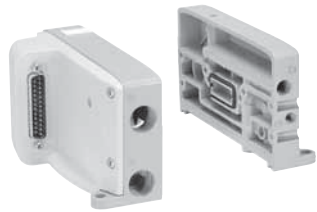
**Plug-in End Plate Kits**

BOLD OPTIONS ARE MOST POPULAR.

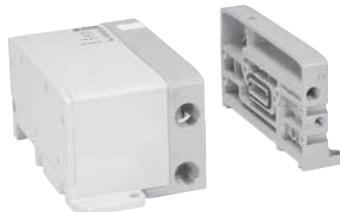


All End Plate Options can be converted to external pilot. See Technical Section.

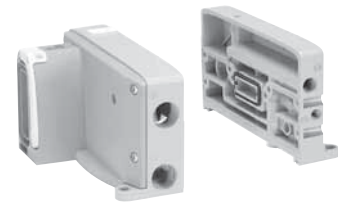
Turck, H Series Fieldbus, and Moduflex communication modules must be ordered separately. See Fieldbus Section for more information.



L2: 25-Pin, D-Sub End Plates



L6: H Series Fieldbus End Plates



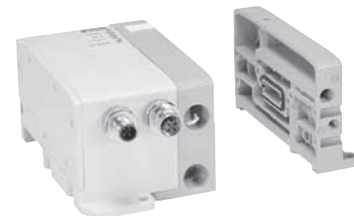
M4: Moduflex Fieldbus End Plates



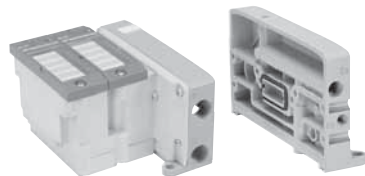
M5: H Series Fieldbus with Bus Extension End Plates



M6: H Series Fieldbus with 24VDC Connector End Plates

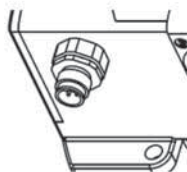


M7: H Series Fieldbus with Bus Extension & 24VDC Connector End Plates



T1, T2: H Series Micro Turck End Plates

**Valve power supply connector**  
 (As seen on module)

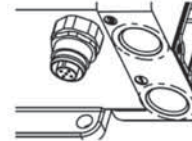


M12 Male (A coding)

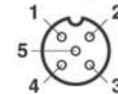


Pin 1 - 24 VDC valve  
 Pin 2 - Not connected  
 Pin 3 - 0 VDC valve  
 Pin 4 - Not connected  
 Pin 5 - Protective Earth (PE)

**Local bus connector**  
 (As seen on module)



M12 Female (A coding)



Pin 1 - CAN SHLD  
 Pin 2 - CAN V+ (24 VDC)  
 Pin 3 - CAN GND  
 Pin 4 - CAN H  
 Pin 5 - CAN L



For inventory, lead time, and kit lookup, visit [www.pdnplu.com](http://www.pdnplu.com)



**Ordering Information**

**How To Order Plug-in Add-A-Fold Assemblies**

1. List Add-A-Fold Assembly call out. This automatically includes the end plate kit assembly.
2. List Simple Manifold Assemblies. List left to right, LOOKING AT THE CYLINDER PORTS on the manifold.

**Maximum Number of Solenoids (Maximum Energized Simultaneously)**

24VDC	25-pin D-sub	Moduflex	H Series Fieldbus*	Turck	
				16 Outputs	32 Outputs
	24 (24)	24 (24)	32 (32)	16 (16)	32 (32)

\* Maximum of 32 solenoids per manifold. With Bus Extension functionality, 4 manifolds with up to 32 solenoids each can be connected on the same network.

**Add-A-Fold Assembly Model Number**

**AAHM D 3 24 0 0 0 0**

Valve series	
H Series micro add-a-fold	AAHM

End plate option	
Turck fieldbus with valve driver module - 16 outputs	A
Turck fieldbus with valve driver module - 32 outputs	B
25-pin, D-sub - 24 outputs	D
H Series Fieldbus with valve drive module - 32 outputs	Y
H Series Fieldbus with valve drive module and bus extension connector - 32 outputs	W
H Series Fieldbus with valve drive module and 24VDC connector - 32 outputs	X
H Series Fieldbus with valve drive module and bus extension and 24VDC connector - 32 outputs	Z
Moduflex - up to 24 outputs	T

H Series Fieldbus and Moduflex communication modules must be ordered separately.

End plate type		
BSPP Threads	BSPP side port, internal pilot	1
	BSPP bottom port, internal pilot	2
	BSPP side port, external pilot	3
	BSPP bottom port, external pilot	4
NPT Threads	NPT side port, internal pilot	5
	NPT bottom port, internal pilot	6
	NPT side port, external pilot	7
	NPT bottom port, external pilot	8

Number of stations*	
4 Valve manifold	04
8 Valve manifold	08
12 Valve manifold	12
16 Valve manifold	16
20 Valve manifold	20
24 Valve manifold	24
28 Valve manifold	28
32 Valve manifold	32

\* For an Add-A-Fold part number to be valid, all stations must have a corresponding electrical connection at the end plate. See Maximum Number of Solenoids chart.

Pilot exhaust on end plate		
0	Without fitting	
M	Muffler	
4	Straight fitting for 4mm OD tube	BSPP Threads
6	Straight fitting for 6mm OD tube	
4	Straight fitting for 5/32 inch OD tube	NPT Threads
7	Straight fitting for 1/4 inch OD tube	

M7 pilot port on end plate		
Internal pilot end plate		
0	With standard plug	
External pilot end plate		
0	Without fitting	
4	Straight fitting for 4mm OD tube	BSPP Threads
6	Straight fitting for 6mm OD tube	
4	Straight fitting for 5/32 inch OD tube	NPT Threads
7	Straight fitting for 1/4 inch OD tube	

3/8" exhaust on end plate		
0	Without fitting	
M	Muffler	
8	Straight fitting for 8mm OD tube	BSPP Threads
A	Straight fitting for 10mm OD tube	
7	Straight fitting for 1/4 inch OD tube	NPT Threads
9	Straight fitting for 3/8 inch OD tube	

3/8" inlet port on end plate		
0	Without fitting	
8	Straight fitting for 8mm OD tube	BSPP Threads
A	Straight fitting for 10mm OD tube	
7	Straight fitting for 1/4 inch OD tube	NPT Threads
9	Straight fitting for 3/8 inch OD tube	

**Note:**  
BSPP fittings can only be used with BSPP Manifolds.  
NPT fittings can only be used with NPT Manifolds.

Most popular.

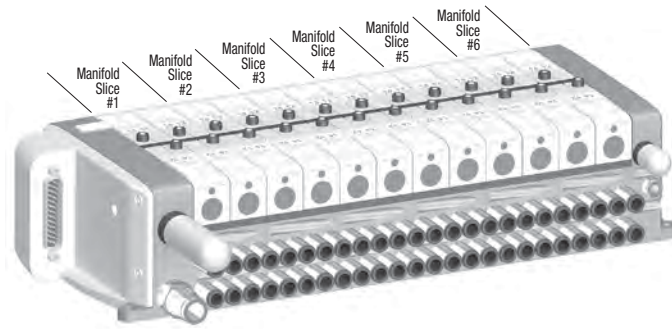


For inventory, lead times, and kit lookup, visit [www.pdnplu.com](http://www.pdnplu.com)

Subbase & Manual Valves  
 H Series Micro  
 Moduflex Series  
 H Series ISO  
 Fieldbus Systems  
 DX ISOMAX Series  
 Valvair II Series

**25-pin, D-Sub Manifolds**

**24 Single Solenoid Valves**



**Add-A-Fold**


Manifold is factory assembled and tested for pneumatic leaks and electrical continuity.

Item	Qty	Description	Part number
01	1	24 valve Add-A-Fold with end plates	<b>AAHMD5249M0M</b>
02	6	4 valve simple manifold slices #1-6	<b>PSM31JAPE7E7E7E7</b>

**Component Level**


Item	Qty	Description	Part number
01	1	25-pin, D-sub, end plate	<b>PSML25AP</b>
02	24	Single solenoid valve	<b>HMEVX2049A</b>
03	6	Manifold, side ported, single address	<b>PSM21JAP</b>
04	50	1/4" Tube fittings (in box quantity)	<b>PS567925</b>
05	10	3/8" Tube fittings (in box quantity)	<b>PS568338</b>
06	1	3/8" Exhaust muffler	<b>P6M-PAB3</b>
07	1	1/8" Exhaust muffler	<b>P6M-PAB1</b>

**Sandwich Regulator**

Description	Kit number
 Common port regulator, 5 to 125 PSI with gauge	<b>PSMRAX6AP</b>

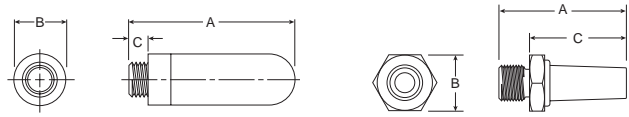
Notes: Cv values are reduced when using a sandwich regulator to 0.20 for 2-position and Dual 3/2 valves, and 0.17 for 3-position APB valves. The sandwich regulator passes full pilot pressure from the manifold, allowing the regulated pressure to adjusted down to 5 PSI without affecting valve functionality.




**Flow Controls**

Description	Kit number
 4mm to 4mm or 5/32" to 5/32" OD tube	<b>FC832-5/32</b>
1/4" to 1/4" O.D. tube	<b>FC832-4</b>

 Most popular.

**Mufflers**






Port thread	A	Ø B	C	Weight (grams)	Part number
 1/8 pilot exhaust – BSPP or NPT	1.14 (29)	0.55 (14)	0.24 (6)	0.02	<b>P6M-PAB1</b>
 3/8 main exhaust – BSPP or NPT	2.36 (60)	0.98 (25)	0.35 (9)	0.06	<b>P6M-PAB3</b>
 M7 x 1 bottom port pilot exhaust *	0.98 (25)	0.43 (11)	0.75 (19)	5	<b>P0568800</b>

Note: Recommended tube durometer of 95 or higher. A tube support may be required if tube durometer is less than 95.

\* Must be order in multiples of 10.

**Fittings – Must be ordered in multiples of 10**

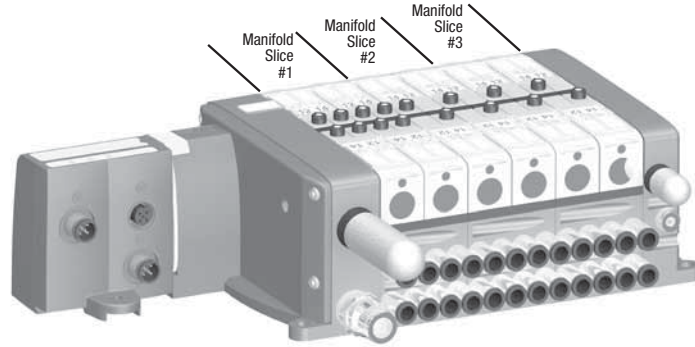
Thread	Tube O.D.	Part number
<b>Manifold or pilot supply ports – straight</b>		
 M7	4mm or 5/32"	<b>PS567904</b>
M7	6mm	<b>PS567906</b>
M7	1/4"	<b>PS567925</b>
<b>Main inlet or exhaust ports</b>		
 3/8" NPT	1/4"	<b>PS568325</b>
3/8" NPT	3/8"	<b>PS568338</b>
3/8" BSPP	8mm	<b>PS568308</b>
3/8" BSPP	10mm	<b>PS568310</b>
<b>Pilot exhaust ports</b>		
 1/8" NPT	5/32"	<b>PS568215</b>
1/8" NPT	1/4"	<b>PS568225</b>
1/8" BSPP	4mm	<b>PS568204</b>
1/8" BSPP	6mm	<b>PS568206</b>



For inventory, lead time, and kit lookup, visit [www.pdnplu.com](http://www.pdnplu.com)

**Moduflex Fieldbus Manifold**

**4 Double Solenoid Valves,**  
**8 Single Solenoid Valves**



**Add-A-Fold**

Manifold is factory assembled and tested for pneumatic leaks and electrical continuity.

Item	Qty	Description	Part number
01	1	12 valve add-a-fold with end plates	<b>AAHMT5129M0M</b>
02	1	4 valve simple manifold slice #1	<b>PSM31MAPN7N7N7</b>
03	2	4 valve simple manifold slice #2-3	<b>PSM31JAPE7E7E7E7</b>

**Component Level**

Item	Qty	Description	Part number
01	1	Moduflex fieldbus, end plate	<b>PSMM45AP</b>
02	4	Double solenoid, dual 3/2, NC/NC	<b>HMN VX2049A</b>
03	1	Manifold, side ported, double address	<b>PSM21MAP</b>
04	8	Single solenoid valve	<b>HMEVX2049A</b>
05	2	Manifold, side ported, single address	<b>PSM21JAP</b>
06	30	1/4" tube fittings (in box quantity)	<b>PS567925</b>
05	10	3/8" tube fittings (in box quantity)	<b>PS568338</b>
06	1	3/8" exhaust muffler	<b>P6M-PAB3</b>
07	1	1/8" exhaust muffler	<b>P6M-PAB1</b>

**Additional Components**

**Moduflex Communication Modules**

IO-Link - 24 outputs		Part number
Class A	3-Pin, Aux power 1 & 3	<b>P2M2HBVL12400A13</b>
	3-Pin, Aux power 4 & 3	<b>P2M2HBVL12400A43</b>
	3-Pin, Aux power 4 & 2	<b>P2M2HBVL12400A42</b>
Class B	5-Pin, Aux power 2 & 5	<b>P2M2HBVL12400B25</b>
Bus protocol - 16 outputs		Part number
Profibus DP		<b>P2M2HBVP21600</b>
DeviceNet		<b>P2M2HBVD21600</b>
CANopen		<b>P2M2HBVC21600</b>
InterBus-S		<b>P2M2HBVS11600</b>

**Fieldbus Accessories**

	Bus Protocol	Connector Type	Part number
Power Supply Female Straight Connector	Profibus DP/ InterBus-S	M12 type A	<b>P8CS1205AA</b>
	DeviceNet/ CANopen	M12 type B	<b>P8CS1205AB</b>
Line Termination Resistor	Profibus DP	M12 type B	<b>P8BPA00MB</b>
	DeviceNet/ CANopen	M12 type A	<b>P8BPA00MA</b>
Power & Communication Cable	IO-Link	5-pin male to female cable, TPE	<b>RKC 4.5T*-RSC 4.5T/S1587</b>

Where \* = 1, 2, 3, 4, 5, 10, 20 meter standard lengths

Most popular.

**Standard AS-i Protocol (up to 31 nodes)**

Communication module for 8 solenoids max. (2 nodes per module, 4 inputs, 4 solenoids per node)

Input / output capability	Part number
0 inputs and 8 solenoid outputs	<b>P2M2HBVA10800</b>
8 (PNP) inputs on eight (M8) connectors and 8 solenoid outputs	<b>P2M2HBVA10808A</b>
8 (PNP) inputs on four (M12) connectors and 8 solenoid outputs	<b>P2M2HBVA10808B</b>

**AS-i Version 2.1 Protocol (up to 62 nodes)**

Communication module for 6 solenoids max. (2 nodes per module, 4 inputs, 4 solenoids per node)

Input / output capability	Part number
0 inputs and 6 solenoid outputs	<b>P2M2HBVA20600</b>
8 (PNP) inputs on eight (M8) connectors and 6 solenoid outputs	<b>P2M2HBVA20608A</b>
8 (PNP) inputs on four (M12) connectors and 6 solenoid outputs	<b>P2M2HBVA20608B</b>

**AS-i Bus Accessories**

M12 cable with jack for addressing

Length	Part number
1 m	<b>P8LS12JACK</b>

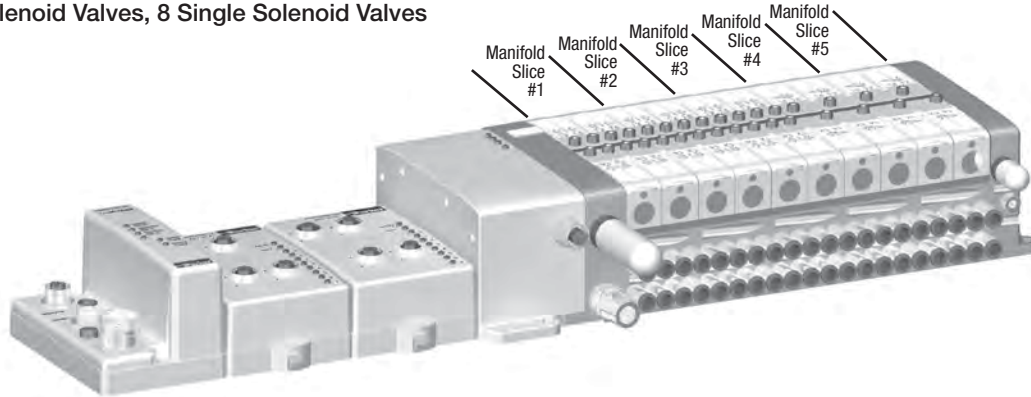
**D**  
 Subbase & Manual Valves  
 H Series Micro  
 Moduflex Series  
 H Series ISO  
 Fieldbus Systems  
 DX ISOMAX Series  
 Valvair II Series



For inventory, lead times, and kit lookup, visit [www.pdnplu.com](http://www.pdnplu.com)

**H Series Fieldbus Manifold**

12 Double Solenoid Valves, 8 Single Solenoid Valves



**Add-A-Fold**

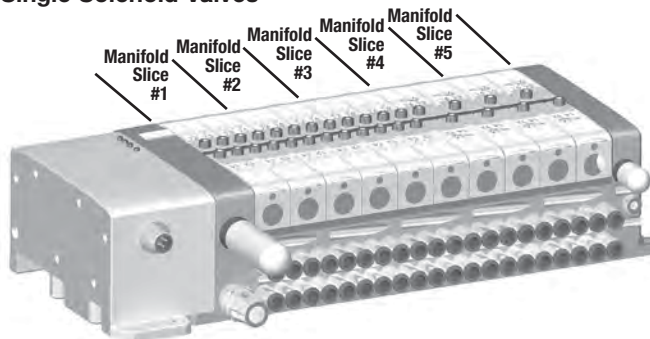
Manifold is factory assembled and tested for pneumatic leaks and electrical continuity.

Item	Qty	Description	Part number
01	1	20 valve add-a-fold with end plates	<b>AAHMW5209M0M</b>
02	3	4 valve simple manifold slices #1-3	<b>PSM31MAPN7N7N7N7</b>
03	2	4 valve simple manifold slices #4-5	<b>PSM31JAPE7E7E7E7</b>

**Component Level**

Item	Qty	Description	Part number
01	1	H Series Fieldbus, with valve driver module and bus extension connector	<b>PSMM55AP</b>
02	12	Double solenoid, dual 3/2, NC/NC	<b>HMNVX2049A</b>
03	3	Manifold, side ported, double address	<b>PSM21MAP</b>
04	8	Single solenoid, 2-position, air return, spring assist	<b>HMEVX2049A</b>
05	2	Manifold, side ported, single address	<b>PSM21JAP</b>
06	40	1/4" tube fittings (in box quantity)	<b>PS567925</b>
07	10	3/8" tube fittings (in box quantity)	<b>PS568338</b>
08	1	3/8" exhaust muffler	<b>P6M-PAB3</b>
09	1	1/8" exhaust muffler	<b>P6M-PAB1</b>

12 Double Solenoid Valves, 8 Single Solenoid Valves



**Add-A-Fold**

Manifold is factory assembled and tested for pneumatic leaks and electrical continuity.

Item	Qty	Description	Part number
01	1	20 valve add-a-fold with end plates	<b>AAHMX5209M0M</b>
02	3	4 valve simple manifold slices #1-3	<b>PSM31MAPN7N7N7N7</b>
03	2	4 valve simple manifold slices #4-5	<b>PSM31JAPE7E7E7E7</b>

**Component Level**

Item	Qty	Description	Part number
01	1	H series fieldbus, with valve driver Module and 24VDC connector	<b>PSMM65AP</b>
02	12	Double solenoid, dual 3/2, NC/NC	<b>HMNVX2049A</b>
03	3	Manifold, side ported, double address	<b>PSM21MAP</b>
04	8	Single solenoid, 2-position, air return, spring assist	<b>HMEVX2049A</b>
05	2	Manifold, side ported, single address	<b>PSM21JAP</b>
06	40	1/4" tube fittings (in box quantity)	<b>PS567925</b>
07	10	3/8" tube fittings (in box quantity)	<b>PS568338</b>
08	1	3/8" exhaust muffler	<b>P6M-PAB3</b>
09	1	1/8" exhaust muffler	<b>P6M-PAB1</b>

**Additional Components**

Description	Part number
H Series Fieldbus Devicenet Communication	<b>PSSCDM12A</b>
8 Digital Input, 24VDC, M12 Connectors	<b>PSSN8M12A</b>
H Series Micro Bus Extender Cable	<b>PSSVEXT1</b>

See H Series Fieldbus section of catalog for more information.



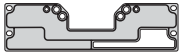

  Most popular.



For inventory, lead time, and kit lookup, visit [www.pdnplu.com](http://www.pdnplu.com)


**Accessories**

**Manifold to Manifold Gaskets\***


	Description	Part number
	All galleys passing	<b>PSM0001</b>
	Main pressure to rear or front valves blocked, exhaust passing	<b>PSM0002</b>
	Main pressure to rear or front valves blocked, exhaust blocked	<b>PSM0003</b>
	All galleys blocked	<b>PSM0004</b>

\* Includes 1 Gasket

**Solenoid Kit**


Description	Part number
 24VDC solenoid kit with screws	<b>PSM0010</b>

**Blanking Plate Kits**

Description	Part number
 Blanking plugs, gasket, and mounting screws.	<b>HMBVX00XXA</b>


Blanking plugs must be inserted into the 2 and 4 ports of the manifold corresponding to the blanking plate.

**Intermediate Air Supply Base**


Description	Part number
 Gasket and mounting screws.	<b>HMCVX00XXA</b>

Fittings (not included) must be inserted into the 2 and 4 ports of the manifold corresponding to the intermediate air supply. Auxiliary pressure should be supplied through these fittings, which will directly feed the #1 pressure galley.


**Override Caps**

Description	Part number
 Set of 10 manual override caps	<b>PSM0011</b>

**Gaskets and Valve Screws**


Description	Part number
 Set of 5 valve to manifold gaskets and 10 screws	<b>PSM0012</b>

**Regulator Gauge**


Description	Part number
 5 to 125 PSI gauge	<b>P0566202</b>

**Subbase & Manifold Valve Products  
H Series Micro**

**Plugs**

Description	Part number
 Set of 10 M7 plugs (Part No. PS567900) for auxiliary and pilot pressure ports	<b>PSM0013</b>

**Screws**


Description	Part number
 Set of 10 manifold to manifold M3 screws	<b>PSM0014</b>

**Valve Labels\***

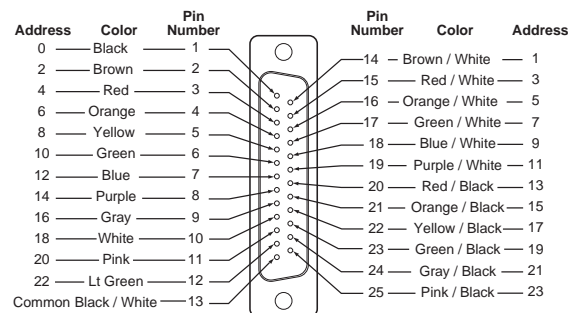
Description	Part number
Single solenoid diagram	<b>PSM002E</b>
Double solenoid diagram	<b>PSM0022</b>
Double solenoid diagram – APB	<b>PSM0025</b>
Double solenoid diagram – Dual 3/2 NC/NC	<b>PSM002N</b>
Double solenoid diagram – Dual 3/2 NO/NO	<b>PSM002P</b>
Double solenoid diagram – Dual 3/2, 14 end NO, 12 end NC	<b>PSM002Q</b>


\*Includes 10 Labels.

**Protective Cover**

Description	Part number
 Protective polyester cover Set of 10	<b>PS5706</b>

**25-Pin, D-Sub Cable (Female)**



Description	Length	Part number
 25-pin, D-sub cable, IP20	3 meters	<b>P8LMH25M3A</b>
25-pin, D-sub cable, IP20	9 meters	<b>SCD259D</b>
25-pin, D-sub cable, IP65	3 meters	<b>SCD253W</b>
25-pin, D-sub cable, IP65	9 meters	<b>SCD259WE</b>

**D**

Subbase & Manual Valves

H Series Micro

Modulflex Series

H Series ISO

Fieldbus Systems

DX ISOMAX Series

Valvair II Series



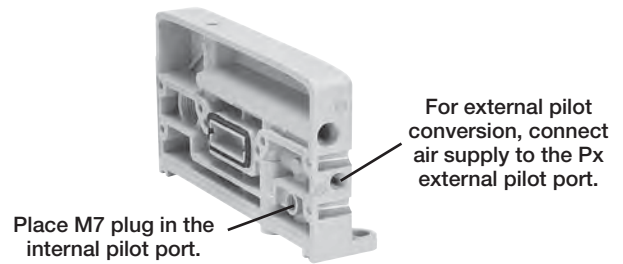
For inventory, lead times, and kit lookup, visit [www.pdnplu.com](http://www.pdnplu.com)



**Pilot Configuration**

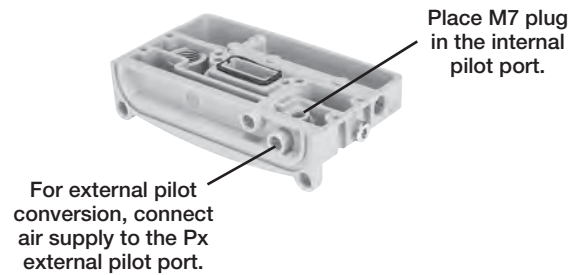
**Side Ported**

Manifolds can be configured for either internal or external pilot in the field. Side ported manifolds are configured for internal pilot when the M7 plug is located in the Px port on the front of the right hand end plate. Moving this plug to the internal pilot port of the right hand end plate and replacing it with a fitting allows an external pilot to be used.



**Bottom Ported**

Bottom ported manifolds are configured for internal pilot when the M7 plug is located in the Px port on the bottom of the right hand end plate. Moving this plug to the internal pilot port of the right hand end plate and replacing it with a fitting allows an external pilot to be used.

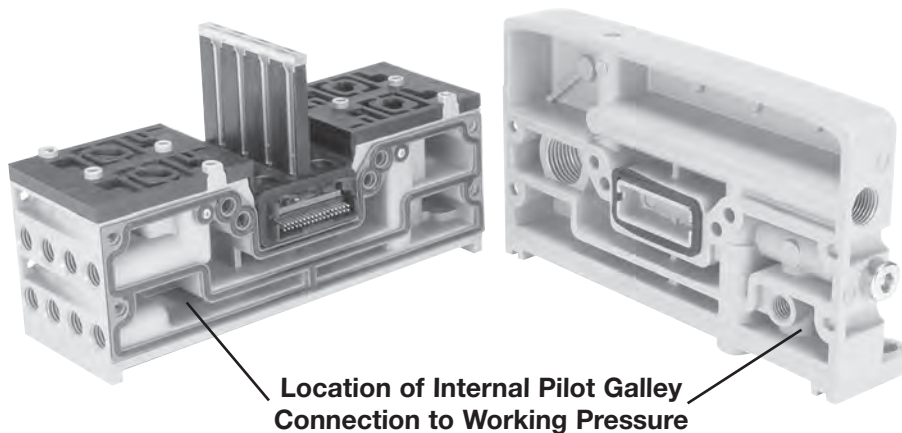


**Pilot Pressure Requirements**

Internal pilot pressure is supplied to the entire manifold from the right hand end plate, where the main pressure for the front row of valves is connected to the pilot pressure galley.

Maximum pilot pressure is 120 PSI. For applications requiring working pressures from 120 to 145 PSI, an external pilot supply less than 120 PSI is required.

Valve number	Minimum pilot pressure	Maximum pilot pressure
<b>HMEVX2049A</b>	40 PSI	120 PSI
<b>HM2VX2049A</b>	25 PSI	120 PSI
<b>HM5VX2049A</b>	45 PSI	120 PSI
<b>HMNVX2049A</b>	40 PSI	120 PSI
<b>HMPVX2049A</b>	40 PSI	120 PSI
<b>HMQVX2049A</b>	40 PSI	120 PSI



**D**

Subbase & Manual Valves

H Series Micro

Moduflex Series

H Series ISO

Fieldbus Systems

DX ISOMAX Series

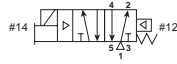
Valvair II Series



For inventory, lead time, and kit lookup, visit [www.pdnplu.com](http://www.pdnplu.com)



**Single Solenoid - Single Address Manifolds**



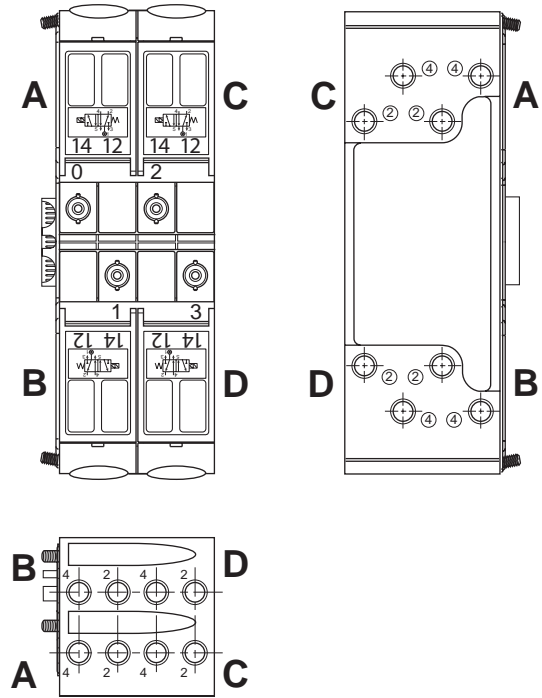
**Single Pressure At Inlet Port 1:**

*De-energized position* – Solenoid operator #14 de-energized. Pressure at inlet port 1 connected to outlet port 2. Outlet port 4 connected to exhaust port 5.

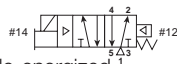
*Energized position* – Solenoid operator #14 energized. Pressure at inlet port 1 connected to outlet port 4. Outlet port 2 connected to exhaust port 3.

**HMEVX2049A - Single Address Manifolds**

Valve Position A		Valve Position C	
<b>Output 0</b>			
On	Off	On	Off
1→4	1→2	1→4	1→2
3←2	5←4	3←2	5←4
<b>Valve Position B</b>			
<b>Output 1</b>			
On	Off	On	Off
1→4	1→2	1→4	1→2
3←2	5←4	3←2	5←4
<b>Valve Position D</b>			
<b>Output 3</b>			
On	Off	On	Off
1→4	1→2	1→4	1→2
3←2	5←4	3←2	5←4



**Single Solenoid - Double Address Manifolds**



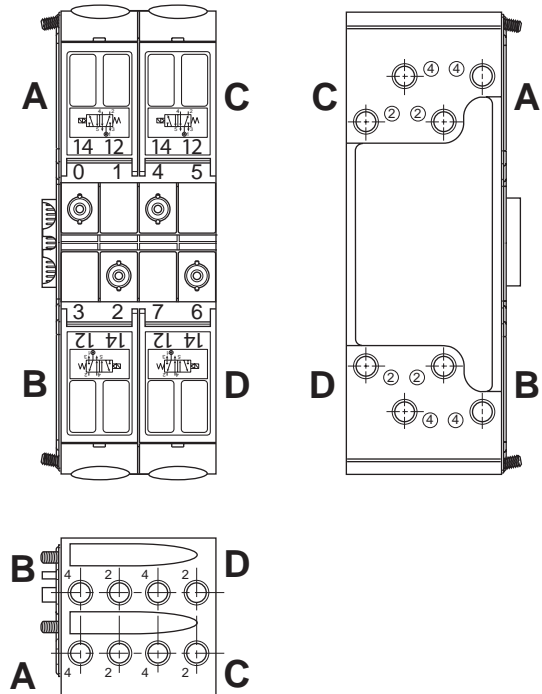
**Single Pressure At Inlet Port 1:**

*De-energized position* – Solenoid operator #14 de-energized. Pressure at inlet port 1 connected to outlet port 2. Outlet port 4 connected to exhaust port 5.

*Energized position* – Solenoid operator #14 energized. Pressure at inlet port 1 connected to outlet port 4. Outlet port 2 connected to exhaust port 3.

**HMEVX2049A - Double Address Manifolds**

Valve Position A				Valve Position C			
<b>Output 0</b>		<b>Output 1</b>		<b>Output 4</b>		<b>Output 5</b>	
On	Off	On	Off	On	Off	On	Off
1→4	1→2	1→2	1→2	1→4	1→2	1→2	1→2
3←2	5←4	5←4	5←4	3←2	5←4	5←4	5←4
<b>Output Lost</b>				<b>Output Lost</b>			
<b>Valve Position B</b>				<b>Valve Position D</b>			
<b>Output 3</b>		<b>Output 2</b>		<b>Output 7</b>		<b>Output 6</b>	
On	Off	On	Off	On	Off	On	Off
1→2	1→2	1→4	1→2	1→2	1→2	1→4	1→2
5←4	5←4	3←2	5←4	5←4	5←4	3←2	5←4
<b>Output Lost</b>				<b>Output Lost</b>			

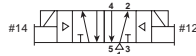


**D**  
 Subbase & Manual Valves  
 H Series Micro  
 Modulflex Series  
 H Series ISO  
 Fieldbus Systems  
 DX ISOMAX Series  
 Valvair II Series



For inventory, lead times, and kit lookup, visit [www.pdnplu.com](http://www.pdnplu.com)

**Double Solenoid - Double Address Manifolds, Last state #12 Energized or #14 Energized**



**Single Pressure At Inlet Port 1:**

**Solenoid operator #14 energized last.** Pressure at inlet port 1 connected to outlet port 4. Outlet port 2 connected to exhaust port 3.

**Solenoid operator #12 energized last.** Pressure at inlet port 1 connected to outlet port 2. Outlet port 4 connected to exhaust port 5.

A 2-Position, Double Solenoid Valve is a detented valve. When the output is removed, the spool remains in its position.

**HM2VX2049A - Double Address Manifolds - Last state #12 Energized**

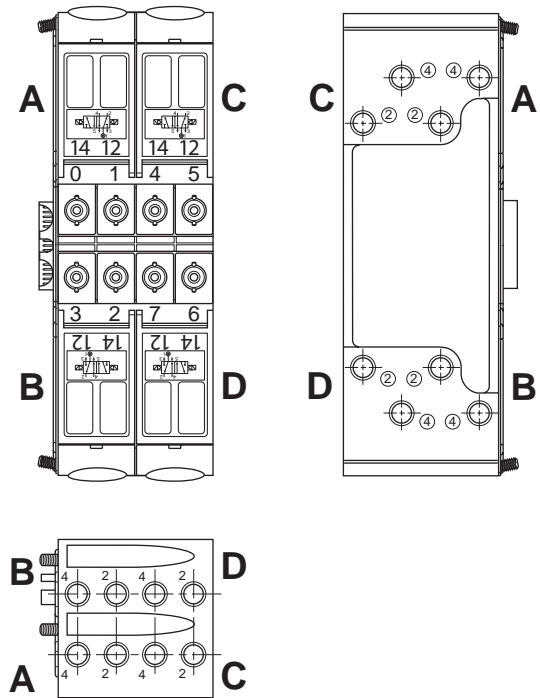
Valve Position A				Valve Position C			
Output 0		Output 1		Output 4		Output 5	
On	Off	On	Off	On	Off	On	Off
1→4	1→2	1→2	1→2	1→4	1→2	1→2	1→2
3←2	5←4	5←4	5←4	3←2	5←4	5←4	5←4

Valve Position B				Valve Position D			
Output 3		Output 2		Output 7		Output 6	
On	Off	On	Off	On	Off	On	Off
1→2	1→2	1→4	1→2	1→2	1→2	1→4	1→2
5←4	5←4	3←2	5←4	5←4	5←4	3←2	5←4

**HM2VX2049A - Double Address Manifolds - Last state #14 Energized**

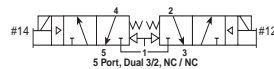
Valve Position A				Valve Position C			
Output 0		Output 1		Output 4		Output 5	
On	Off	On	Off	On	Off	On	Off
1→4	1→4	1→2	1→4	1→4	1→4	1→2	1→4
3←2	3←2	5←4	3←2	3←2	3←2	5←4	3←2

Valve Position B				Valve Position D			
Output 3		Output 2		Output 7		Output 6	
On	Off	On	Off	On	Off	On	Off
1→2	1→4	1→4	1→4	1→2	1→4	1→4	1→4
5←4	3←2	3←2	3←2	5←4	3←2	3←2	3←2



**Double Solenoid - Double Address Manifolds**

**Dual 3-Way, 2-Position NC / NC (NNP)**



**With #14 & #12 operators both de-energized** – pressure at inlet port 1 blocked, outlet port 4 connected to exhaust port 5, outlet port 2 connected to exhaust port 3.

**With #14 operator energized** – pressure at inlet port 1 connected to outlet port 4, exhaust port 5 blocked, outlet port 2 connected to exhaust port 3.

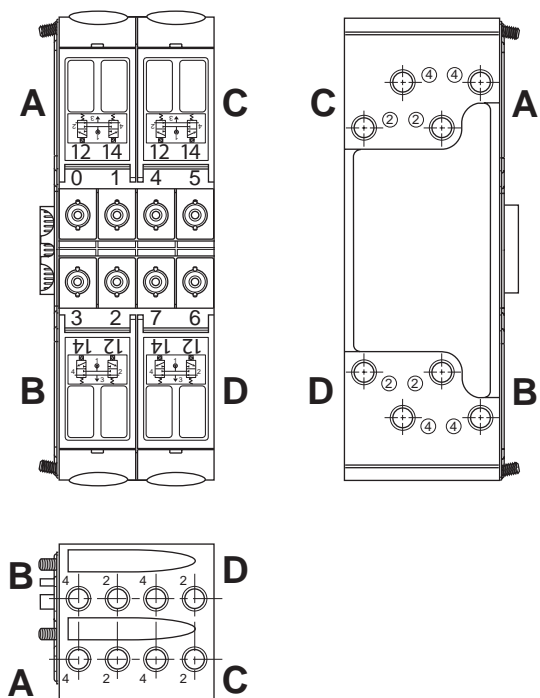
**With #12 operator energized** – pressure at inlet port 1 connected to outlet port 2, exhaust port 3 blocked, outlet port 4 connected to exhaust port 5.

**With #14 & #12 operators both energized** – pressure at inlet port 1 connected to outlet ports 4 & 2, exhaust ports 3 & 5 blocked.

**HMNVX2049A - Double Address Manifolds**

Valve Position A				Valve Position C			
Output 0		Output 1		Output 4		Output 5	
On	Off	On	Off	On	Off	On	Off
1→2	1←1	1→4	1←1	1→2	1←1	1→4	1←1
3←1	3←2	5←1	5←4	3←1	3←2	5←1	5←4

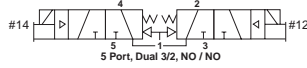
Valve Position B				Valve Position D			
Output 3		Output 2		Output 7		Output 6	
On	Off	On	Off	On	Off	On	Off
1→4	1←1	1→2	1←1	1→4	1←1	1→2	1←1
5←1	5←4	3←1	3←2	5←1	5←4	3←1	3←2



For inventory, lead time, and kit lookup, visit [www.pdnplu.com](http://www.pdnplu.com)

**Double Solenoid - Double Address Manifolds**

**Dual 3-Way, 2-Position  
 NO / NO (NP)**



*With #14 & #12 operators both de-energized* – pressure at inlet port 1 connected to outlet ports 4 & 2, exhaust ports 3 & 5 blocked.

*With #14 operator energized* – pressure at inlet port 1 connected to outlet port 2, exhaust port 3 blocked, outlet port 4 connected to exhaust port 5.

*With #12 operator energized* – pressure at inlet port 1 connected to outlet port 4, exhaust port 5 blocked, outlet port 2 connected to exhaust port 3.

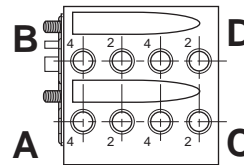
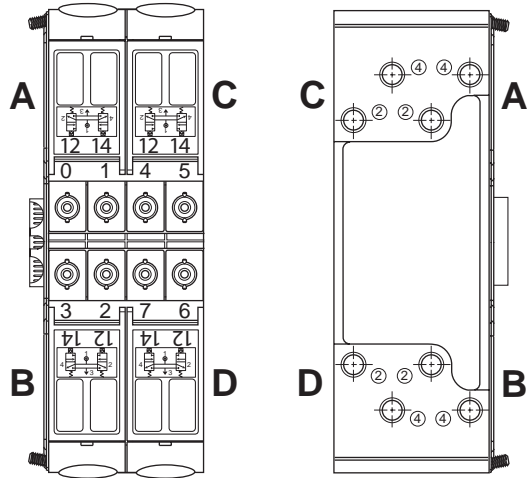
*With #14 & #12 operators both energized* – pressure at inlet port 1 blocked, outlet port 4 connected to exhaust port 5, outlet port 2 connected to exhaust port 3.

**HMPVX2049A - Double Address Manifolds**

Valve Position A				Valve Position C			
Output 0		Output 1		Output 4		Output 5	
On	Off	On	Off	On	Off	On	Off
1→	1→2	1→	1→4	1→	1→2	1→	1→4
3←2	3→	5←4	5→	3←2	3→	5←4	5→

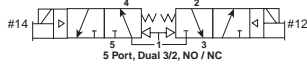
  

Valve Position B				Valve Position D			
Output 3		Output 2		Output 7		Output 6	
On	Off	On	Off	On	Off	On	Off
1→	1→4	1→	1→2	1→	1→4	1→	1→2
5←4	5→	3←2	3→	5←4	5→	3←2	3→



**Double Solenoid - Double Address Manifolds**

**Dual 3-Way, 2-Position  
 14 End NO / 12 End NC  
 (NP / NNP)**



*With #14 & #12 operators both de-energized* – pressure at inlet port 1 connected to outlet port 4, exhaust port 5 blocked, outlet port 2 connected to exhaust port 3.

*With #14 operator energized* – pressure at inlet port 1 blocked, outlet port 4 connected to exhaust port 5, outlet port 2 connected to exhaust port 3.

*With #12 operator energized* – pressure at inlet port 1 connected to outlet ports 4 & 2, exhaust ports 3 & 5 blocked.

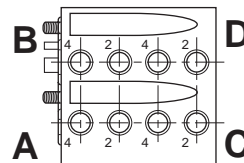
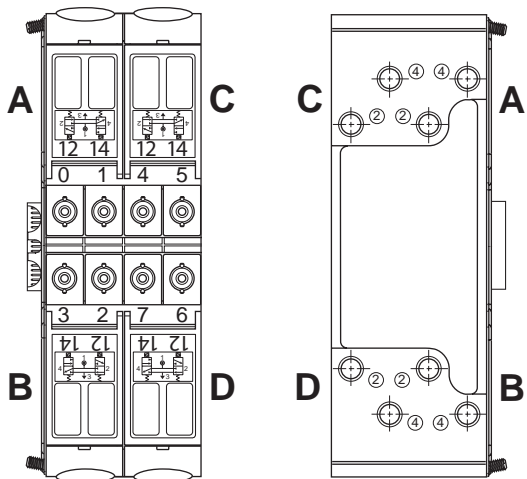
*With #14 & #12 operators both energized* – pressure at inlet port 1 connected to outlet port 2, exhaust port 3 blocked, outlet port 4 connected to exhaust port 5.

**HMQVX2049A - Double Address Manifolds**

Valve Position A				Valve Position C			
Output 0		Output 1		Output 4		Output 5	
On	Off	On	Off	On	Off	On	Off
1→2	1→	1→	1→4	1→2	1→	1→	1→4
3→	3←2	5←4	5→	3→	3←2	5←4	5→

Valve Position B				Valve Position D			
Output 3		Output 2		Output 7		Output 6	
On	Off	On	Off	On	Off	On	Off
1→	1→4	1→2	1→	1→	1→4	1→2	1→
5←4	5→	3→	3←2	5←4	5→	3→	3←2



**D**

Subbase & Manual  
 Valves

H Series  
 Micro

Modulflex  
 Series

H Series  
 ISO

Fieldbus  
 Systems

DX ISOMAX  
 Series

Valvair II  
 Series

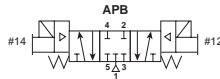


For inventory, lead times, and kit lookup, visit [www.pdnplu.com](http://www.pdnplu.com)

**Double Solenoid - Double Address Manifolds**

**3-Position**

**Function 5: All Ports Blocked**



*With #12 operator energized* – inlet port 1 connected to cylinder port 2, cylinder port 4 connected to exhaust port 5.

*With #14 operator energized* – inlet port 1 connected to cylinder port 4, cylinder port 2 connected to exhaust port 3.

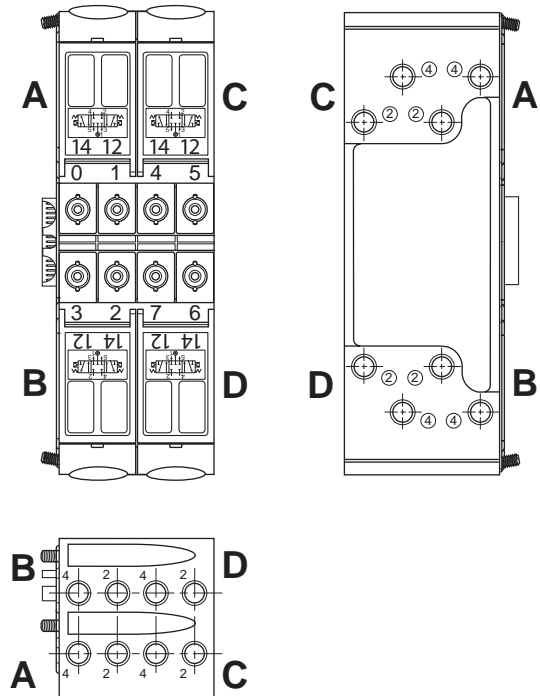
All ports blocked in the center position.

**HM5VX2049A - Double Address Manifolds**

Valve Position A			Valve Position C		
Output 0 On	Output 0 Off	Output 0 Off	Output 4 On	Output 4 Off	Output 4 Off
Output 1 Off	Output 1 On	Output 1 Off	Output 5 Off	Output 5 On	Output 5 Off
5→1	5←4	3→1→4	5→1	5←4	3→1→4
1→4	1→2	1→1→2	1→4	1→2	1→1→2
3→2	3→1	5→1	3→2	3→1	5→1

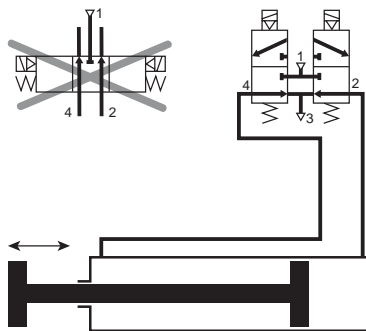
Valve Position B			Valve Position D		
Output 2 On	Output 2 Off	Output 2 Off	Output 6 On	Output 6 Off	Output 6 Off
Output 3 Off	Output 3 On	Output 3 Off	Output 7 Off	Output 7 On	Output 7 Off
5→1	5←4	3→1→4	5→1	5←4	3→1→4
1→4	1→2	1→1→2	1→4	1→2	1→1→2
3→2	3→1	5→1	3→2	3→1	5→1



**Dual 3/2 valves replace 3-position valves for better performance**

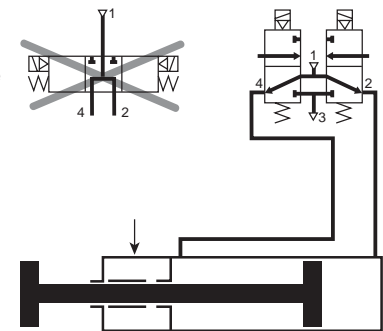
**3-position center exhaust**

A traditional 5/3 center exhaust valve is now replaced by a double 3/2 NC+NC valve module. Both cylinder chambers are exhausted and rod and piston are free to move.



**3-position pressure center**

A traditional 5/3 pressure center valve is now replaced by a double 3/2 NO+NO valve module. The function is identical.

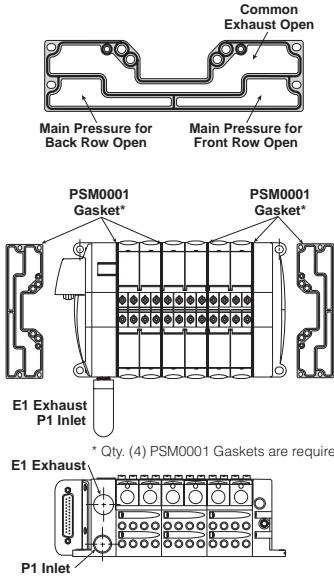


For inventory, lead time, and kit lookup, visit [www.pdnplu.com](http://www.pdnplu.com)

**Multiple Pressure Zones**

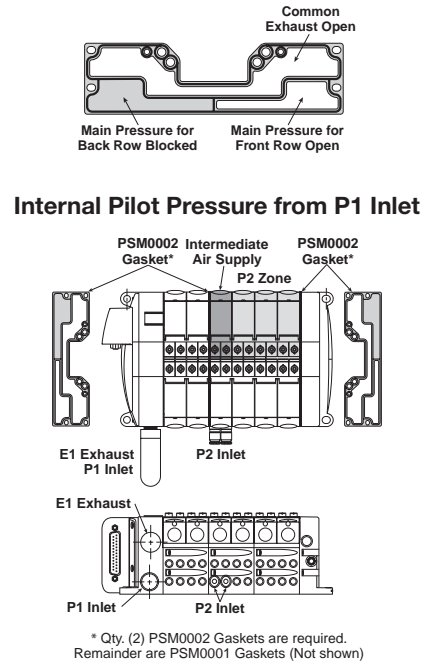
**PSM0001 –**

All ports open. Common pressure for front and rear manifold.  
 Common exhausts.  
 Standard gasket included with each manifold and end plate.



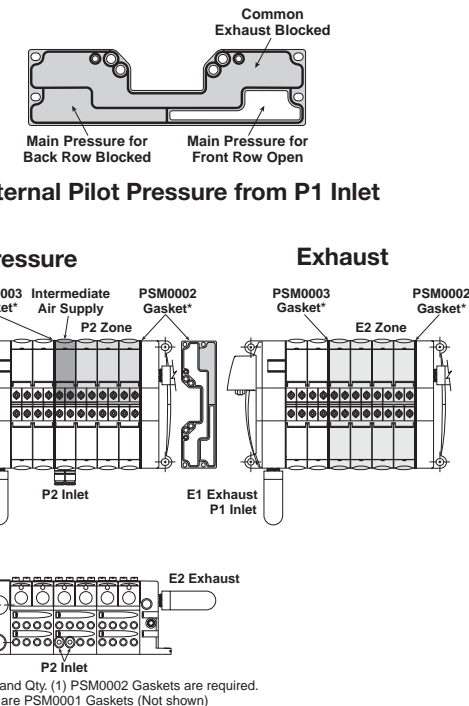
**PSM0002 –**

Rear manifold blocked for separate pressure supply.  
 Common exhausts.  
 Flip gasket to block front of manifold.



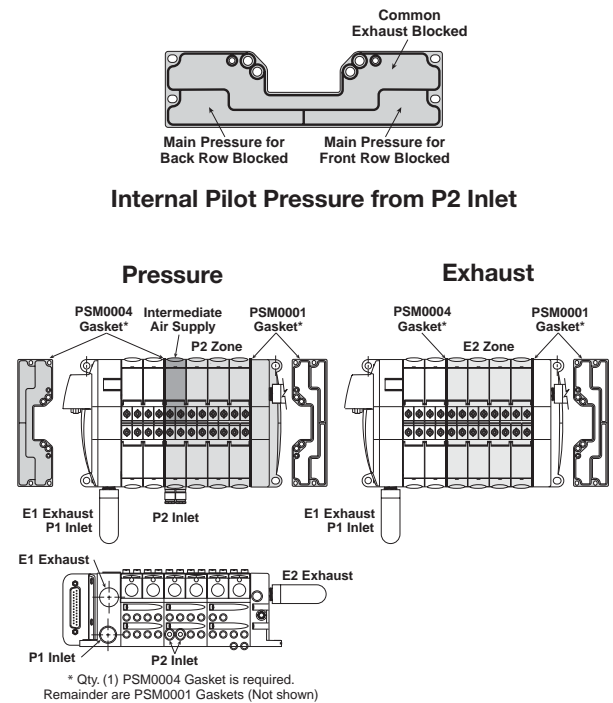
**PSM0003 –**

Rear manifold blocked for separate pressure supply.  
 Exhaust blocked also.  
 Flip gasket to block front of manifold.  
 If used with bottom ported end plates, second exhaust must be piped from the side of the right end plate.



**PSM0004 –**

All galleys blocked.  
 Two pressure zones and two exhaust zones.  
 If used with bottom ported end plates, second exhaust must be piped from the side of the right end plate.



**D**  
 Subbase & Manual Valves  
 H Series Micro  
 Modulflex Series  
 H Series ISO  
 Fieldbus Systems  
 DX ISOMAX Series  
 Valvair II Series



For inventory, lead times, and kit lookup, visit [www.pdnplu.com](http://www.pdnplu.com)

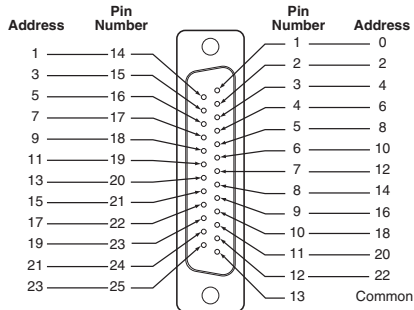
**Maximum Number of Solenoids**

(Maximum Energized Simultaneously)

	25-Pin D-Sub	Moduflex	H Series Fieldbus*
24VDC	24 (24)	24 (24)	32 (32)

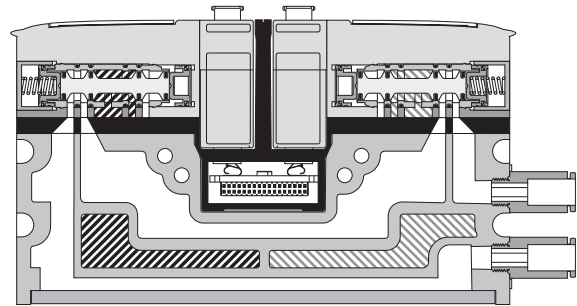
\* Maximum of 32 solenoids per manifold. With Bus Extension functionality, 4 manifolds with up to 32 solenoids each can be connected on the same network.

**25-Pin, D-Sub Connector (Male)**

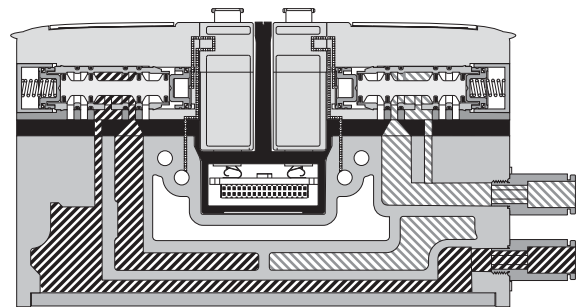


View into End Plate Connector - Male D-Sub, 25-Pin

**Single Solenoid Valves Shown  
 Solenoid is De-energized**



**Side Exhaust**  
 4 Ports Connected to Exhaust Port  
 (5 & 3 Common)



**Side Pressure**  
 2 Ports Connected to Inlet Port 1



**D**

Subbase & Manual  
 Valves

H Series  
 Micro

Moduflex  
 Series

H Series  
 ISO

Fieldbus  
 Systems

DX ISOMAX  
 Series

Valvair II  
 Series



For inventory, lead time, and kit lookup, visit [www.pdnplu.com](http://www.pdnplu.com)



**Cv Values - H Series Micro**

The charts below represent the minimum required Cv values for pneumatic systems operating at 80 PSI with a 5 PSI pressure drop.

To use the chart, locate the diameter of the cylinder across the horizontal axis, then the average required rod speed of the cycle. The intersection point is Cv value needed.

Grayed out values are not attainable with H Series Micro. Please select a larger Parker valve.

Average Rod Speed (mm/s)	Cylinder Diameter (mm)												
	6	8	10	12	16	20	25	32	40	50	63	80	100
25	0.000	0.001	0.001	0.002	0.003	0.005	0.008	0.013	0.021	0.032	0.051	0.083	0.129
50	0.001	0.002	0.003	0.004	0.007	0.010	0.016	0.026	0.041	0.065	0.103	0.166	0.259
75	0.001	0.002	0.004	0.006	0.010	0.016	0.024	0.040	0.062	0.097	0.154	0.248	0.388
100	0.002	0.003	0.005	0.007	0.013	0.021	0.032	0.053	0.083	0.129	0.205	0.331	0.517
125	0.002	0.004	0.006	0.009	0.017	0.026	0.040	0.066	0.103	0.162	0.257	0.414	0.647
150	0.003	0.005	0.008	0.011	0.020	0.031	0.049	0.079	0.124	0.194	0.308	0.497	0.776
175	0.003	0.006	0.009	0.013	0.023	0.036	0.057	0.093	0.145	0.226	0.359	0.580	0.906
200	0.004	0.007	0.010	0.015	0.026	0.041	0.065	0.106	0.166	0.259	0.411	0.662	1.035
225	0.004	0.007	0.012	0.017	0.030	0.047	0.073	0.119	0.186	0.291	0.462	0.745	1.164
250	0.005	0.008	0.013	0.019	0.033	0.052	0.081	0.132	0.207	0.323	0.513	0.828	1.294
275	0.005	0.009	0.014	0.020	0.036	0.057	0.089	0.146	0.228	0.356	0.565	0.911	1.423
300	0.006	0.010	0.016	0.022	0.040	0.062	0.097	0.159	0.248	0.388	0.616	0.994	1.552
350	0.007	0.012	0.018	0.026	0.046	0.072	0.113	0.185	0.290	0.453	0.719	1.159	1.811
400	0.007	0.013	0.021	0.030	0.053	0.083	0.129	0.212	0.331	0.517	0.822	1.325	2.070
450	0.008	0.015	0.023	0.034	0.060	0.093	0.146	0.238	0.373	0.582	0.924	1.490	2.329
500	0.009	0.017	0.026	0.037	0.066	0.103	0.162	0.265	0.414	0.647	1.027	1.656	2.587

Average Rod Speed (in/s)	Cylinder Diameter (in)																
	5/16"	7/16"	9/16"	3/4"	7/8"	1"	1-1/16"	1-1/8"	1-1/4"	1-1/2"	1-3/4"	2"	2-1/2"	3"	3-1/4"	3-5/8"	4"
1	0.001	0.002	0.003	0.005	0.006	0.008	0.010	0.011	0.013	0.019	0.026	0.034	0.053	0.076	0.090	0.111	0.136
2	0.002	0.003	0.005	0.010	0.013	0.017	0.019	0.021	0.026	0.038	0.052	0.068	0.106	0.153	0.179	0.223	0.271
3	0.002	0.005	0.008	0.014	0.019	0.025	0.029	0.032	0.040	0.057	0.078	0.102	0.159	0.229	0.269	0.334	0.407
4	0.003	0.006	0.011	0.019	0.026	0.034	0.038	0.043	0.053	0.076	0.104	0.136	0.212	0.305	0.358	0.446	0.543
5	0.004	0.008	0.013	0.024	0.032	0.042	0.048	0.054	0.066	0.095	0.130	0.170	0.265	0.382	0.448	0.557	0.678
6	0.005	0.010	0.016	0.029	0.039	0.051	0.057	0.064	0.079	0.114	0.156	0.204	0.318	0.458	0.537	0.669	0.814
7	0.006	0.011	0.019	0.033	0.045	0.059	0.067	0.075	0.093	0.134	0.182	0.237	0.371	0.534	0.627	0.780	0.950
8	0.007	0.013	0.021	0.038	0.052	0.068	0.077	0.086	0.106	0.153	0.208	0.271	0.424	0.611	0.717	0.891	1.085
9	0.007	0.015	0.024	0.043	0.058	0.076	0.086	0.097	0.119	0.172	0.234	0.305	0.477	0.687	0.806	1.003	1.221
10	0.008	0.016	0.027	0.048	0.065	0.085	0.096	0.107	0.132	0.191	0.260	0.339	0.530	0.763	0.896	1.114	1.357
11	0.009	0.018	0.030	0.052	0.071	0.093	0.105	0.118	0.146	0.210	0.286	0.373	0.583	0.839	0.985	1.226	1.492
12	0.010	0.019	0.032	0.057	0.078	0.102	0.115	0.129	0.159	0.229	0.312	0.407	0.636	0.916	1.075	1.337	1.628
14	0.012	0.023	0.038	0.067	0.091	0.119	0.134	0.150	0.185	0.267	0.364	0.475	0.742	1.068	1.254	1.560	1.899
16	0.013	0.026	0.043	0.076	0.104	0.136	0.153	0.172	0.212	0.305	0.415	0.543	0.848	1.221	1.433	1.783	2.171
18	0.015	0.029	0.048	0.086	0.117	0.153	0.172	0.193	0.238	0.343	0.467	0.611	0.954	1.374	1.612	2.006	2.442
20	0.017	0.032	0.054	0.095	0.130	0.170	0.191	0.215	0.265	0.382	0.519	0.678	1.060	1.526	1.791	2.229	2.713

**D**  
 Subbase & Manual Valves  
 H Series Micro  
 Moduteflex Series  
 H Series ISO  
 Fieldbus Systems  
 DX ISOMAX Series  
 Valvair II Series



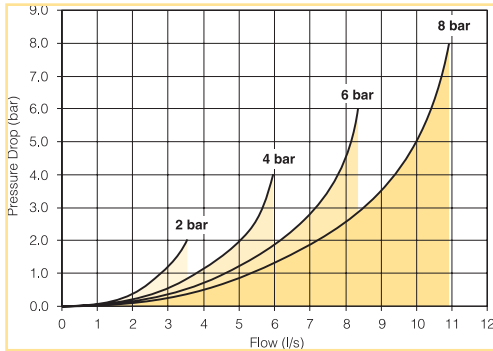
For inventory, lead times, and kit lookup, visit [www.pdnplu.com](http://www.pdnplu.com)

D20

**Parker Hannifin Corporation**  
 Pneumatic Division  
 Richland, Michigan  
[www.parker.com/pneumatics](http://www.parker.com/pneumatics)

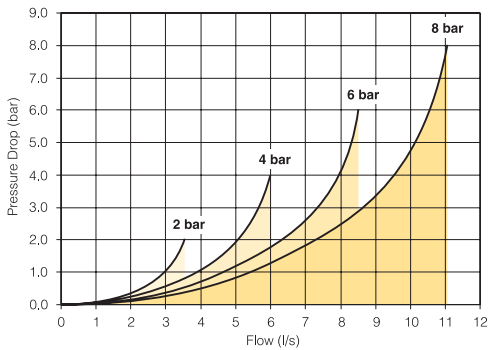
**Flow Characteristics**

**Dual 3/2**



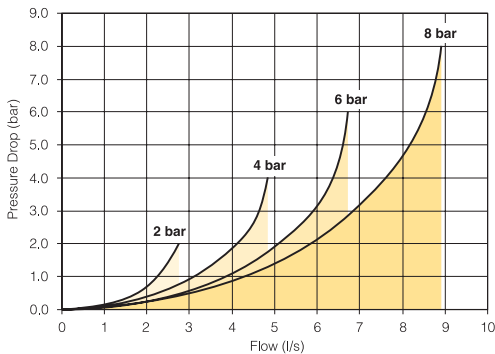
Operating pressure: 39 to 120.3 PSI (2.7 to 8.3 bar)  
 Change-over time (side 14): Actuation 15 ms  
 Return 20 ms P = 6b  
 Change-over time (side 12): 15 ms / 25 ms P = 6b  
 Flow (acc. to ISO 6358): c = 1.2 NI/s x bar  
 b = 0.13  
 Qn = 4.6 NI/s  
 Qmax = 8.4 NI/s

**5/2 single and double solenoid**



Operating pressure: Single solenoid 39 to 120.3 PSI (2.7 to 8.3 bar)  
 Double solenoid 24.6 to 120.3 PSI (1.7 to 8.3 bar)  
 Change-over time: Single solenoid Actuation 15 ms  
 Return 20 ms P = 6b  
 Double solenoid 13 ms / 13 ms P = 6b  
 Flow (acc. to ISO 6358): c = 1.2 NI/s x bar  
 b = 0.13  
 Qn = 4.7 NI/s  
 Qmax = 8.5 NI/s

**5/3 all ports blocked**



Operating pressure: 39 to 120.3 PSI (2.7 to 8.3 bar)  
 Change-over time: Actuation 20 ms  
 Return 20 ms P = 6b  
 Flow (acc. to ISO 6358): c = 1 NI/s x bar  
 b = 0.14  
 Qn = 3.8 NI/s  
 Qmax = 6.7 NI/s

**Characteristics**

Fluid: Air or inert gas  
 Filtered 40 μ  
 Class 5 (according to ISO 8573-1)  
 Dry class 4 (according to ISO 8573-1)  
 Non-lubricated or lubricated  
 Storage temperature: 104°F to 158°F (-40°C to 70°C)  
 Working temperature: 5°F to 122°F (-15°C to 50°C)  
 Vibration: according to IEC 68-2-6  
 2G to 150 Hz  
 Shock: according to IEC 68-2-27  
 15G 11 ms

Operating pressure: -13 to 120.3 PSI (-0.9 to 8.3 bar)  
 with external pressure 87 PSI (6 bar)  
 Piloting pressure: 37 to 120.3 PSI (2.7 to 8.3 bar)  
 Exhaust collection: Independent exhaust collection  
 Rated coil voltage: 24 VDC -15 % / +10 %  
 Electrical connection: Not polarized  
 Coil insulation: Class B  
 Power consumption: 1 W (42 mA) with LED  
 Duty factor: 100 % at 68°F (20°C)



For inventory, lead time, and kit lookup, visit [www.pdnplu.com](http://www.pdnplu.com)

D21

**Parker Hannifin Corporation**  
 Pneumatic Division  
 Richland, Michigan  
[www.parker.com/pneumatics](http://www.parker.com/pneumatics)

**D**

**Subbase & Manual Valves**

**H Series Micro**

**Moduflex Series**

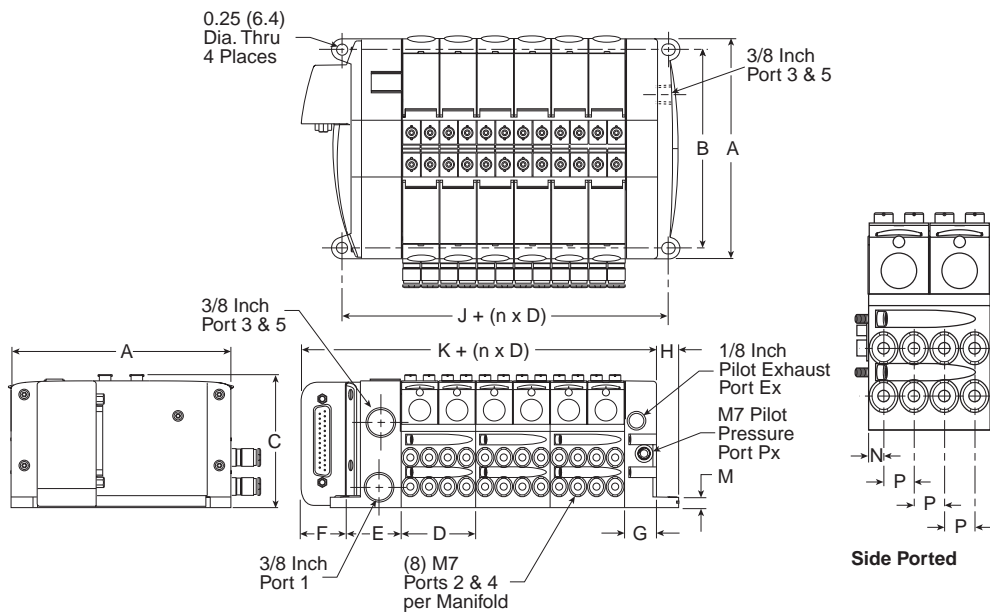
**H Series ISO**

**Fieldbus Systems**

**DX ISOMAX Series**

**Valvair II Series**

**25-pin, D-Sub with H Series Micro Valves, Side Ported**



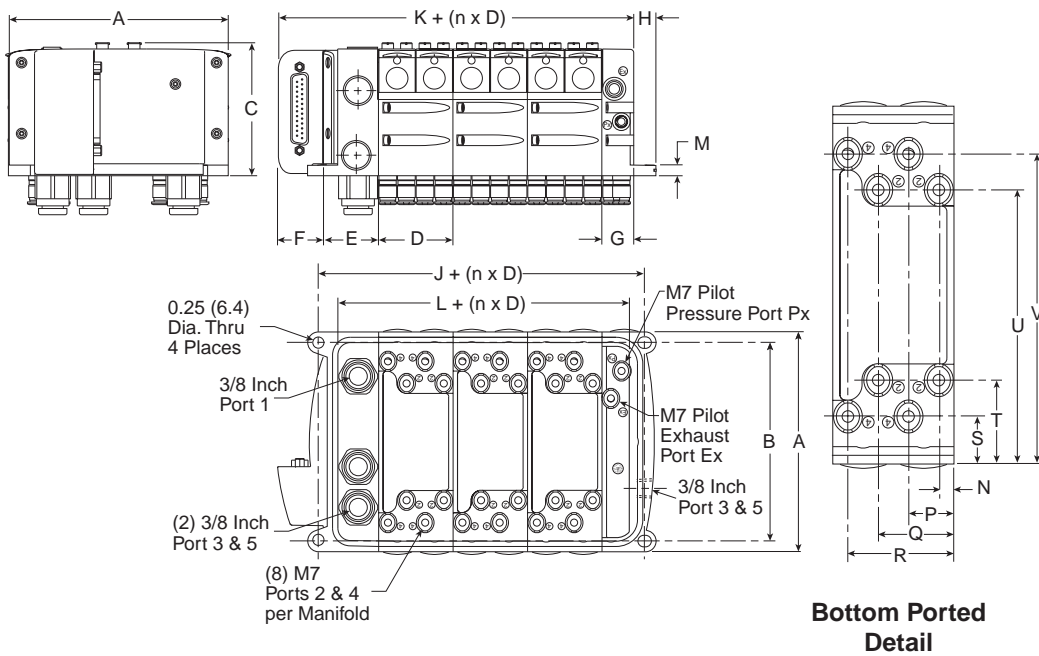
**Dimensions**

<b>A</b>	<b>B</b>	<b>C</b>	<b>D</b>
4.88 (124.0)	4.41 (112.0)	2.95 (75.0)	1.65 (42.0)
<b>E</b>	<b>F</b>	<b>G</b>	<b>H</b>
1.22 (31.0)	1.02 (26.0)	0.71 (18.0)	0.49 (12.5)
<b>J</b>	<b>K</b>	<b>M</b>	<b>N</b>
2.28 (58.0)	3.44 (87.5)	0.24 (6.1)	0.21 (5.2)
<b>P</b>	0.41 (10.5)		

Inches (mm)  
 n = Number of manifolds

**D**  
 Subbase & Manual Valves  
 H Series Micro  
 Modulflex Series  
 H Series ISO  
 Fieldbus Systems  
 DX ISOMAX Series  
 Valvair II Series

**25-pin, D-Sub with H Series Micro Valves, Bottom Ported**



**Dimensions**

<b>A</b>	<b>B</b>	<b>C</b>	<b>D</b>
4.88 (124.0)	4.41 (112.0)	2.95 (75.0)	1.65 (42.0)
<b>E</b>	<b>F</b>	<b>G</b>	<b>H</b>
1.22 (31.0)	1.02 (26.0)	0.71 (18.0)	0.49 (12.5)
<b>J</b>	<b>K</b>	<b>L</b>	<b>M</b>
2.28 (58.0)	3.44 (87.5)	1.69 (43.0)	0.24 (6.1)
<b>N</b>	<b>P</b>	<b>Q</b>	<b>R</b>
0.21 (5.3)	0.62 (15.8)	1.03 (26.3)	1.45 (36.8)
<b>S</b>	<b>T</b>	<b>U</b>	<b>V</b>
0.64 (16.40)	1.14 (29.0)	3.73 (94.9)	4.23 (107.4)

Inches (mm)  
 n = Number of manifolds

**Note:**  
 See Fieldbus Section for the dimensions of manifolds utilizing the H Series Fieldbus, Turck, or Modulflex end plate type.

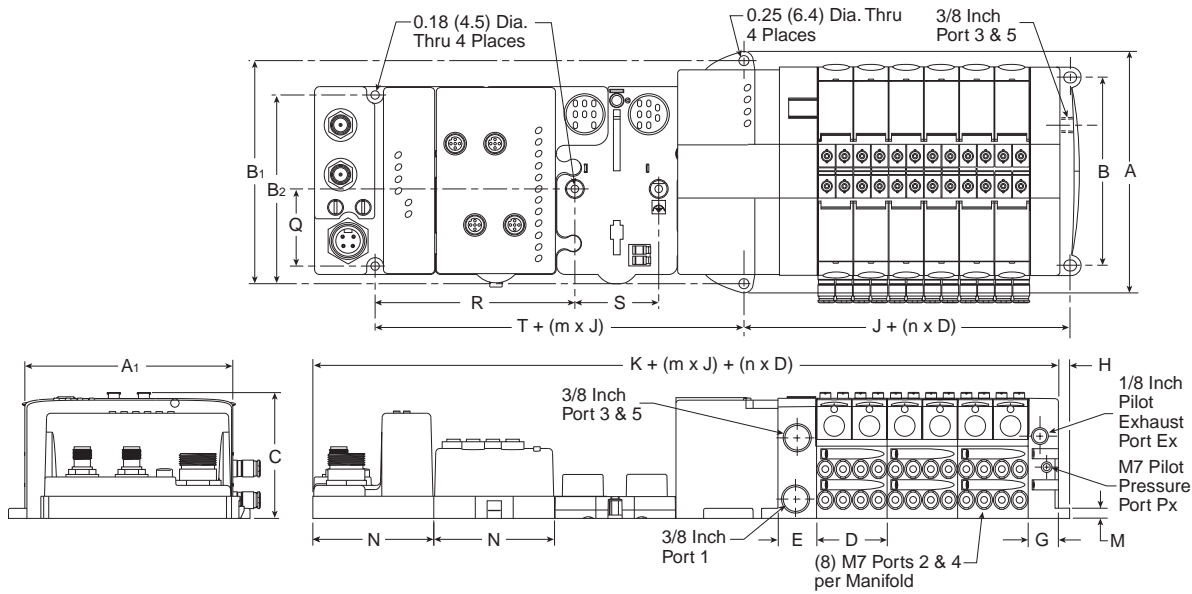


For inventory, lead times, and kit lookup, visit [www.pdnplu.com](http://www.pdnplu.com)

D22

**Parker Hannifin Corporation**  
 Pneumatic Division  
 Richland, Michigan  
[www.parker.com/pneumatics](http://www.parker.com/pneumatics)

**H Series Fieldbus with H Series Micro Valves, Side Ported**

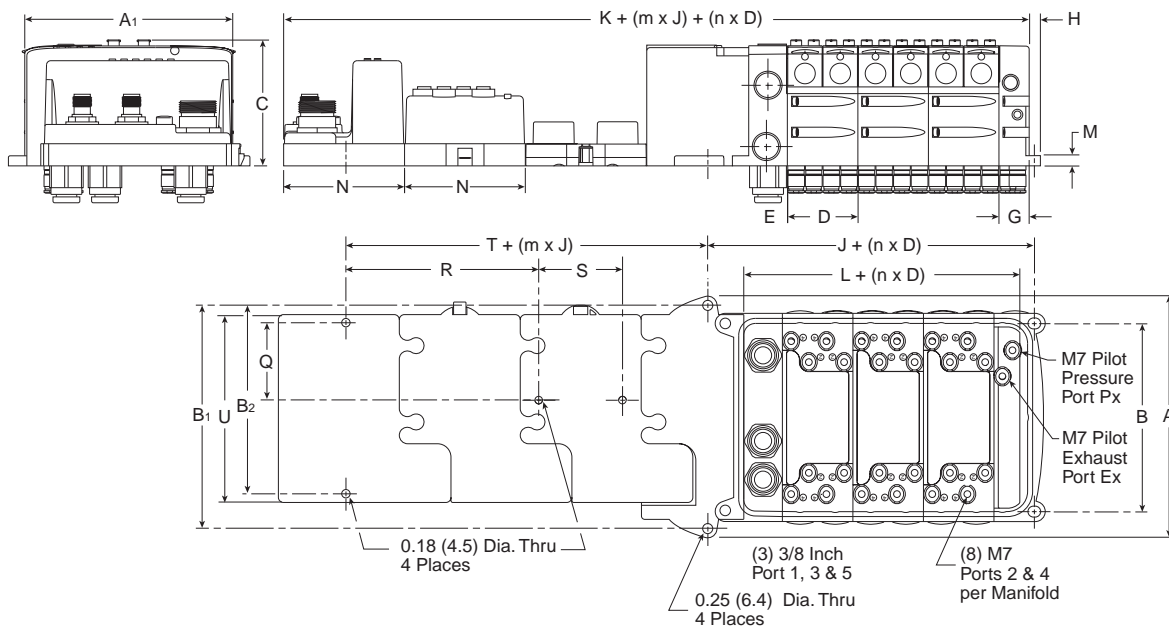


**Dimensions**

<b>A</b>	<b>A<sub>1</sub></b>	<b>B</b>	<b>B<sub>1</sub></b>	<b>B<sub>2</sub></b>	<b>C</b>	<b>D</b>	<b>E</b>	<b>G</b>
5.67 (144.0)	4.88 (124.0)	4.41 (112.0)	5.24 (133.0)	4.02 (102.0)	2.95 (75.0)	1.65 (42.0)	0.91 (23.0)	0.71 (18.0)
<b>H</b>	<b>J</b>	<b>K</b>	<b>M</b>	<b>N</b>	<b>Q</b>	<b>R</b>	<b>S</b>	<b>T</b>
0.49 (12.5)	2.72 (69.0)	7.32 (186.0)	0.24 (6.1)	2.83 (72.0)	1.81 (46.0)	4.72 (120.0)	2.01 (51.0)	2.01 (51.0)

Inches (mm)  
 n = Number of Manifolds  
 m = Number of Modules

**H Series Fieldbus with H Series Micro Valves, Bottom Ported**



**Dimensions**

<b>A</b>	<b>A<sub>1</sub></b>	<b>B</b>	<b>B<sub>1</sub></b>	<b>B<sub>2</sub></b>	<b>C</b>	<b>D</b>	<b>E</b>	<b>G</b>	<b>H</b>
5.67 (144.0)	4.88 (124.0)	4.41 (112.0)	5.24 (133.0)	4.02 (102.0)	2.95 (75.0)	1.65 (42.0)	0.91 (23.0)	0.71 (18.0)	0.49 (12.5)
<b>J</b>	<b>K</b>	<b>L</b>	<b>M</b>	<b>N</b>	<b>Q</b>	<b>R</b>	<b>S</b>	<b>T</b>	<b>U</b>
2.72 (69.0)	7.32 (186.0)	1.69 (43.0)	0.24 (6.1)	2.83 (72.0)	1.81 (46.0)	4.72 (120.0)	2.01 (51.0)	2.01 (51.0)	4.41 (112)

Inches (mm)  
 n = Number of Manifolds  
 m = Number of Modules



For inventory, lead time, and kit lookup, visit [www.pdnplu.com](http://www.pdnplu.com)

D23

**Parker Hannifin Corporation**  
 Pneumatic Division  
 Richland, Michigan  
[www.parker.com/pneumatics](http://www.parker.com/pneumatics)

**D**

Subbase & Manual Valves

H Series Micro

Moduflex Series

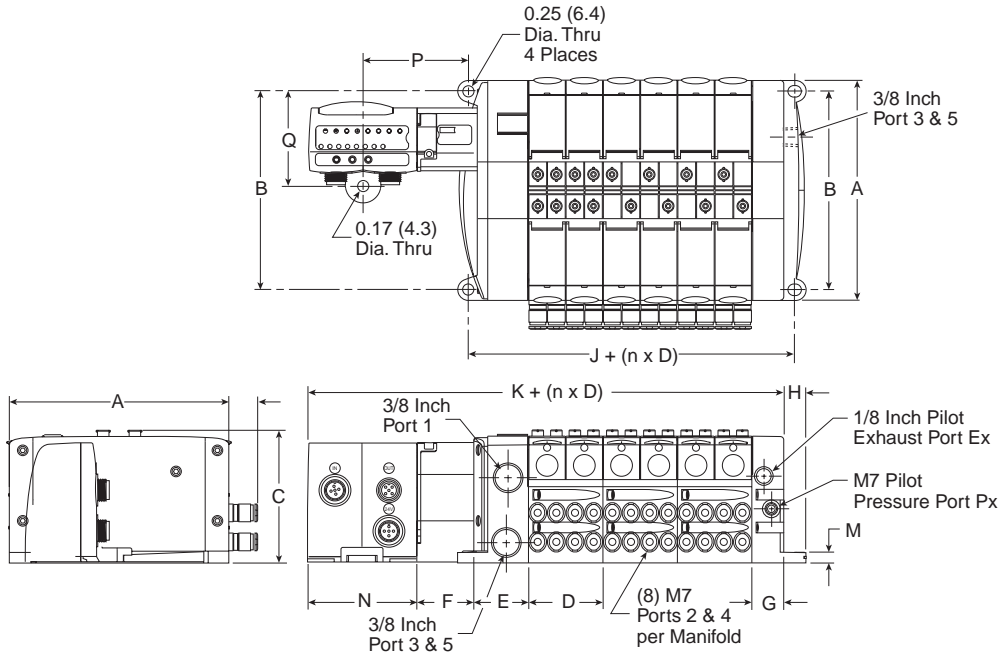
H Series ISO

Fieldbus Systems

DX ISOMAX Series

Valvair II Series

**Moduflex with H Series Micro Valves, Side Ported**

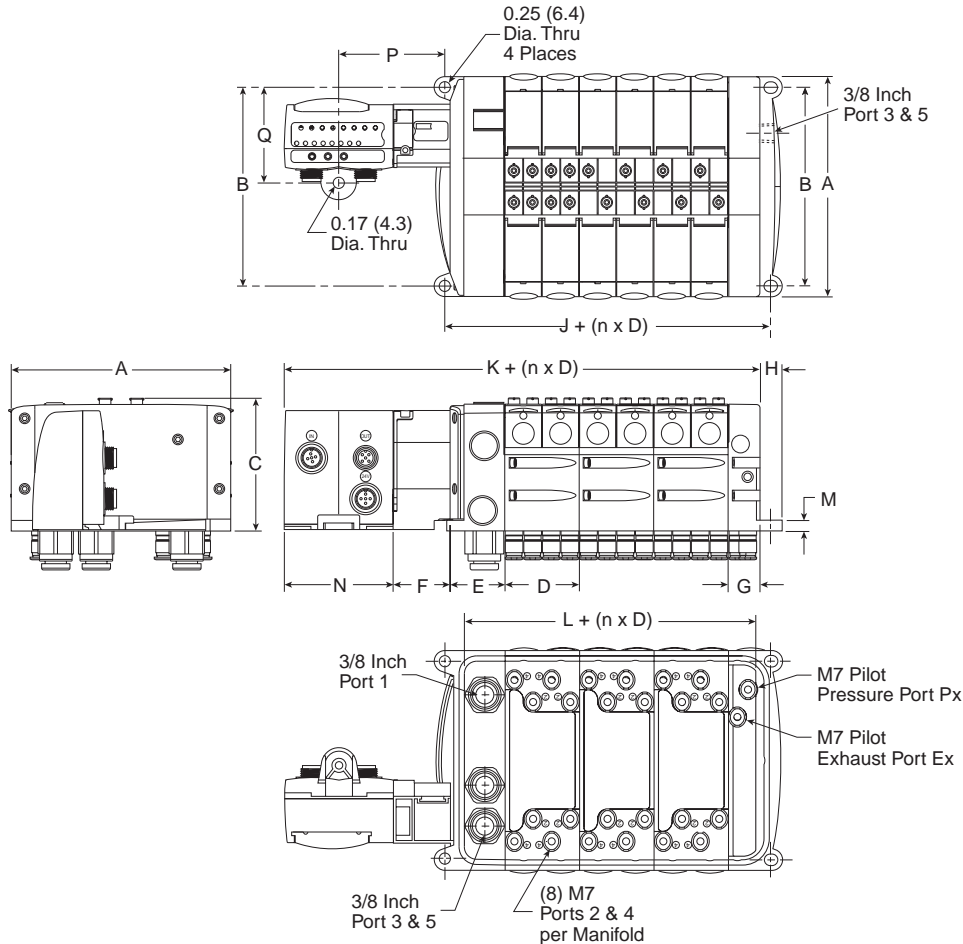


**Dimensions**

A	B	C	D
4.88 (124.0)	4.41 (112.0)	2.95 (75.0)	1.65 (42.0)
E	F	G	H
1.22 (31.0)	1.28 (32.5)	0.71 (18.0)	0.49 (12.5)
J	K	M	N
2.28 (58.0)	6.10 (155.0)	0.24 (6.1)	2.40 (61.0)
P	Q		
2.36 (60.0)	2.07 (52.55)		

Inches (mm)  
 n = Number of manifolds

**Moduflex with H Series Micro Valves, Bottom Ported**



**Dimensions**

A	B	C	D
4.88 (124.0)	4.41 (112.0)	2.95 (75.0)	1.65 (42.0)
E	F	G	H
1.22 (31.0)	1.02 (26.0)	0.71 (18.0)	0.49 (12.5)
J	K	L	M
2.28 (58.0)	6.10 (155.0)	1.69 (43.0)	0.24 (6.1)
N	P	Q	
2.40 (61.0)	2.36 (60.0)	2.07 (52.55)	

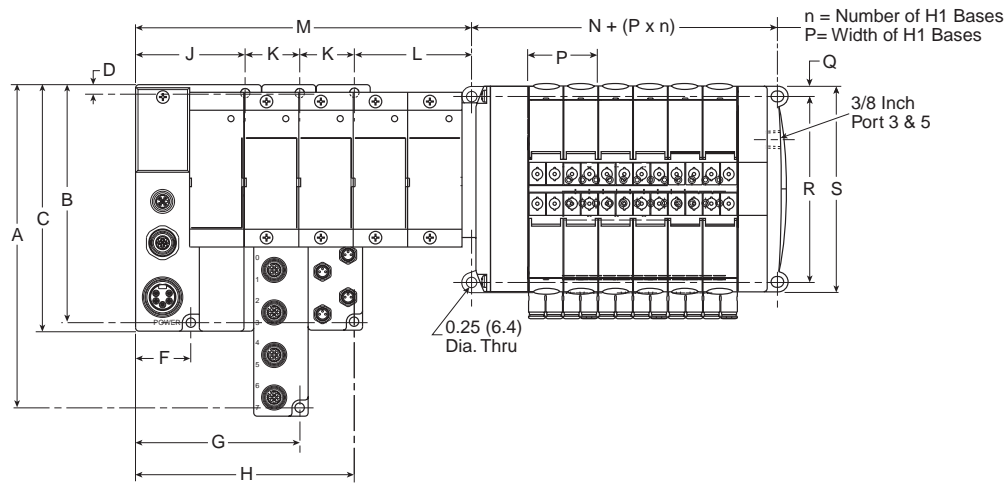
Inches (mm)  
 n = Number of manifolds

**D**  
 Subbase & Manual Valves  
 H Series Micro  
 Moduflex Series  
 H Series ISO  
 Fieldbus Systems  
 DX ISOMAX Series  
 Valvair II Series



For inventory, lead times, and kit lookup, visit [www.pdnplu.com](http://www.pdnplu.com)

**Turck with H Series Micro Valves, Side Ported**

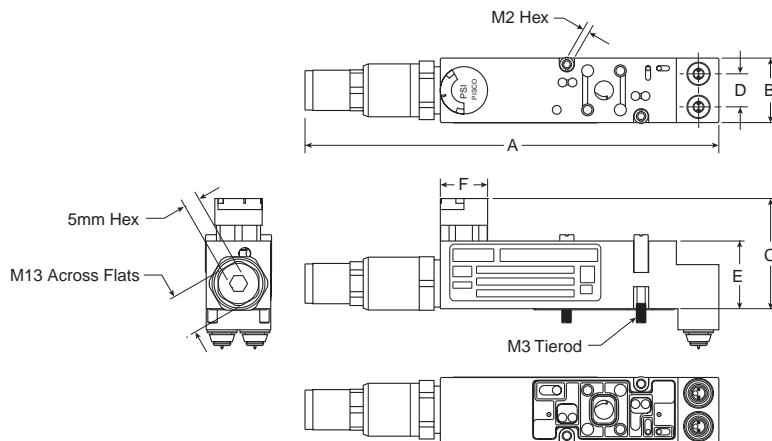


**Dimensions**

A	B	C	D
7.48 (190)	5.51 (140)	5.71 (145)	0.20 (5)
F	G	H	J
1.28 (32.5)	3.79 (96.5)	5.06 (128.5)	2.53 (64.5)
K	L	M	N
1.26 (32)	2.54 (64)	See note 1	2.28 (58)
P	Q	R	S
1.65 (42)	.19 (4.9)	4.41 (112)	4.88 (124)

Note 1:  $M = J + L + n_2 \times K$ , where  $n_2$  = Number of Turck input / output modules  
 Inches (mm)

**Sandwich Regulator**



**Dimensions**

A	B	C	D
5.20 (132)	0.81 (20.5)	1.38 (35)	0.41 (10.5)
E	F		
0.85 (21.5)	0.59Ø (15Ø)		

Inches (mm)

**D**

Subbase & Manual  
Valves

H Series  
Micro

Moduflex  
Series

H Series  
ISO

Fieldbus  
Systems

DX ISOMAX  
Series

Valvair II  
Series



For inventory, lead time, and kit lookup, visit [www.pdnplu.com](http://www.pdnplu.com)

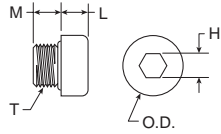
D25

**Parker Hannifin Corporation**  
 Pneumatic Division  
 Richland, Michigan  
[www.parker.com/pneumatics](http://www.parker.com/pneumatics)



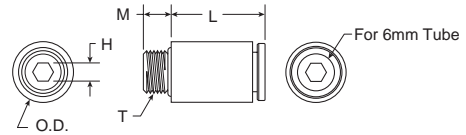
**M7 Fittings**

**PS567900 – Kit PSM0013**



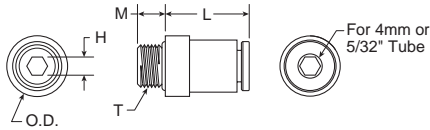
Part no.	L	M	H hex	T thread	O.D.
PS567900	0.18 (4.5)	0.20 (5)	0.16 (4)	M7 x 1	0.39 (10)

**PS567906**



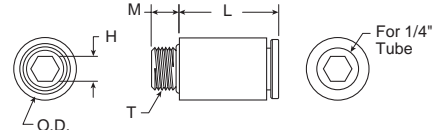
Part no.	Tube size	L	M	H Hex	T thread	O.D.
PS567906	6mm	0.63 (16)	0.20 (5)	0.12 (3)	M7 x 1	0.39 (10)

**PS567904**



Part no.	Tube size	L	M	H Hex	T thread	O.D.
PS567904	4mm or 5/32"	0.55 (14)	0.20 (5)	0.12 (3)	M7 x 1	0.39 (10)

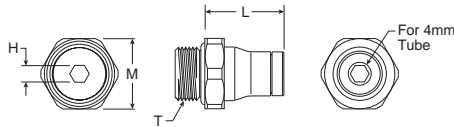
**PS567925**



Part no.	Tube size	L	M	H Hex	T thread	O.D.
PS567925	1/4"	0.65 (16.5)	0.18 (4.6)	0.16 (4)	M7 x 1	0.41 (10.3)

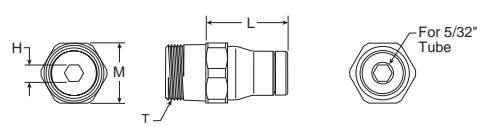
**1/8 Inch Fittings**

**PS568204**



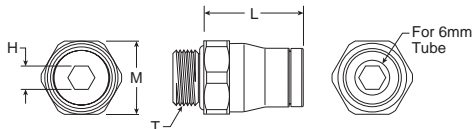
Part No.	Tube Size	L	M Hex	H Hex	T Thread
PS568204	4mm	0.57 (14.5)	0.51 (13)	0.12 (3)	G1 /8

**PS568215**



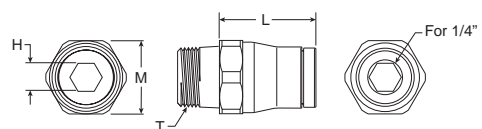
Part No.	Tube Size	L	M Hex	H Hex	T Thread
PS568215	5/32"	0.59 (15)	0.43 (11)	0.12 (3)	1/8 NPT

**PS568206**



Part no.	Tube size	L	M Hex	H Hex	T thread
PS568206	6mm	0.69 (17.5)	0.51 (13)	0.16 (4)	G1/8

**PS568225**



Part no.	Tube size	L	M Hex	H Hex	T thread
PS568225	1/4"	0.67 (17)	0.51 (13)	0.20 (5)	1/8 NPT

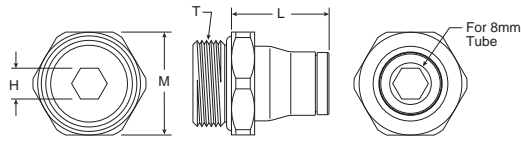
**D**  
 Subbase & Manifold Valves  
 H Series Micro  
 Modulflex Series  
 H Series ISO  
 Fieldbus Systems  
 DX ISOMAX Series  
 Valvair II Series



For inventory, lead times, and kit lookup, visit [www.pdnplu.com](http://www.pdnplu.com)

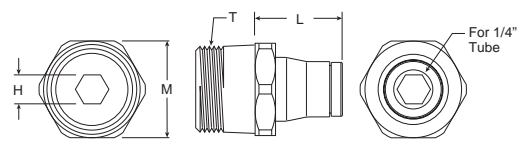
**3/8 Inch Fittings**

**PS568308**



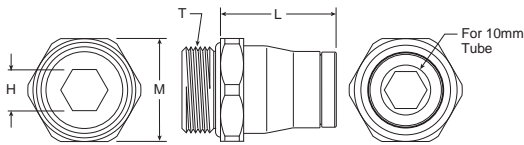
Part no.	Tube size	L	M Hex	H Hex	T thread
<b>PS568308</b>	8mm	0.75 (19)	0.79 (20)	0.24 (6)	G3/8

**PS568325**



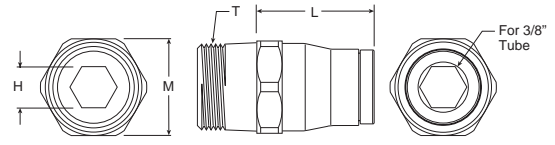
Part no.	Tube size	L	M Hex	H Hex	T thread
<b>PS568325</b>	1/4"	0.67 (17)	0.71 (18)	0.20 (5)	3/8 NPT

**PS568310**



Part no.	Tube size	L	M Hex	H Hex	T thread
<b>PS568310</b>	10mm	0.89 (22.5)	0.79 (20)	0.31 (8)	G3/8

**PS568338**



Part no.	Tube size	L	M Hex	H Hex	T thread
<b>PS568338</b>	3/8"	0.91 (23)	0.71 (18)	0.31 (8)	3/8 NPT

**D**

Subbase & Manual  
Valves

H Series  
Micro

Moduflex  
Series

H Series  
ISO

Fieldbus  
Systems

DX ISOMAX  
Series

Valvair II  
Series



For inventory, lead time, and kit lookup, visit [www.pdnplu.com](http://www.pdnplu.com)

**Features**

**Moduflex Series**

The Moduflex Valve System redefines flexibility for pneumatic users. Whether configured from basic components or ordered as a pre-assembled and tested valve manifold, Moduflex flexibility is unmatched in the market place.

**Ports**

- Size 1: Push-in connectors for 5/32, 1/4 inch, 4, 6mm OD tube
- Size 2: Push-in connectors for 1/4, 3/8, 1/2 inch, 6, 8, 10, 12 mm OD tube

**Mounting**

- S Series – Individual subbase
- T Series – Manifold mount with individual connectors
- V Series – Manifold mount with collective wiring or fieldbus

**Fieldbus options**

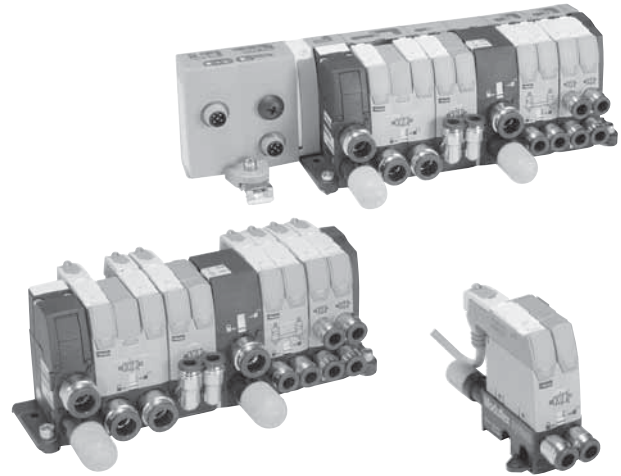
- IO-Link – Class A & Class B
- DeviceNet, Profibus, CANopen, AS-i, Interbus-S

**Solenoids**

- 1.0 Watt
- 24 VDC
- Compatible with PNP or NPN outputs

**Certification / approval**

- IP65 rated
- CE, as marked



**Operating information**

Operating pressure:	Vacuum to 123 PSIG (Vacuum to 8.3 bar)
Operating temperature:	5°F to 140°F (-15°C to 60°C)
Fieldbus operating temperature:	32°F to 130°F (0°C to 55°C)

**Material specifications**

End plates (T and V series)	Plastic
Fasteners	Nickel plated steel
Spool	Aluminum and nitrile rubber or ceramic plate
Subbase or manifold	Plastic
Valve body	Plastic

Most popular.

<b>D</b>	<b>Subbase &amp; Manual Valves</b>
<b>H Series Micro</b>	<b>H Series ISO</b>
<b>Moduflex Series</b>	<b>Fieldbus Systems</b>
<b>H Series</b>	<b>DX ISOMAX Series</b>
<b>Valvair II Series</b>	



For inventory, lead times, and kit lookup, visit [www.pdnplu.com](http://www.pdnplu.com)

## Features

### Module Series Selection and Assembly Procedures

Moduflex system provides a complete choice of either stand-alone valves, short-build valve islands, or large valve island configurations. Electrical control connections may be individual or island integrated. Peripheral modules add complementary functions — flow control, pressure regulation, P.O. check valves and vacuum generators can be added directly to the valve or used as a stand alone product.

Moduflex gives machine builders maximum flexibility to assemble each automation system step by step using basic modules.

Valve islands can be easily assembled using the following procedure.

1. Assemble the required valve island with the basic modules.
2. Mount the valve island on the machine together with any stand-alone valves and peripheral modules.
3. Select and install the required clip-on pneumatic and electrical connectors.

### “S” Series Stand Alone Valves

For isolated cylinders on a machine, it is preferable to locate the valve close by. Therefore a stand-alone module is ideal. Response time and air consumption are then reduced to a minimum. Peripheral modules can be installed directly into the valve.



“S” Series Size 1 Single Solenoid



“S” Series Size 1 Single Air Pilot



Straight or Elbow Pneumatic Connectors



Union Pneumatic Connectors

Dual P.O. Check Valve



## Subbase & Manifold Valve Products “S” & “T” Series

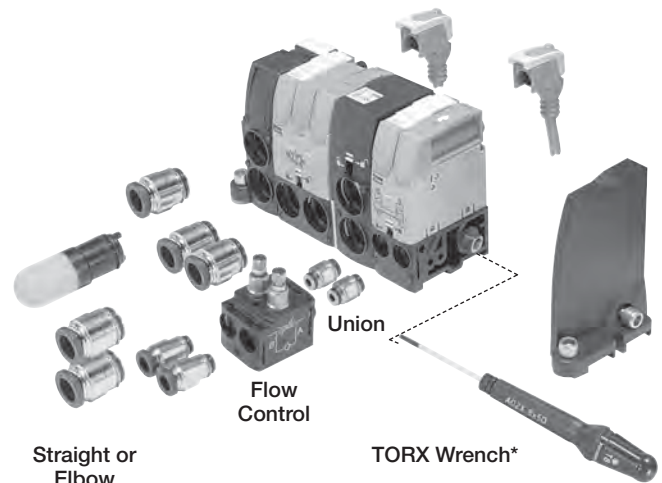
### “T” Series Valve Island Modules with Individual Connectors

For small groups of cylinders requiring short localized valve islands, it is convenient to use individual electrical connector islands.



“T” Series Island Modules

“T” Series modules are easily assembled to form a complete manifold. All electrical connectors are individual and pneumatic connectors are of the push-in tube type. Modules with different functions and flow passages may be combined in the same island manifold, giving total flexibility to adapt to all machine requirements.



Straight or Elbow Pneumatic Connectors

TORX Wrench\*

\* Maximum torque rating 10.6 in. lbs. (1.2 Nm).



M8 2-pin, male connector



Clip Connector with LED & surge protection



For inventory, lead time, and kit lookup, visit [www.pdnplu.com](http://www.pdnplu.com)

**Features**

**“V” Series Valve Island Modules with Integrated Connections**

When the number of valves is larger, modular islands are easily assembled using the integrated electrical connection series. These islands are then connected to the control PLC, with a multi-connector cable or with a fieldbus connection.

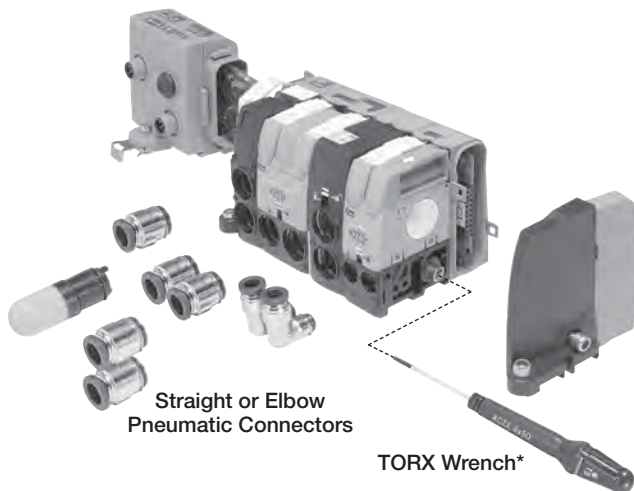


**“V” Series with 20-Pin Connector**



**“V” Series with Field Bus Connection**

“V” Series modules are easily assembled to form a complete manifold. All pneumatic connectors are of the push-in tube type. When the valve island has been installed, it is a simple operation to separate the field bus module from the valve island using the quick release lever. Modules with different functions and flow passages may be combined in the same island manifold, giving total flexibility to adapt to all machine requirements.



**Straight or Elbow Pneumatic Connectors**

**TORX Wrench\***

\* Maximum torque rating 10.6 in. lbs. (1.2 Nm).

**Subbase & Manifold Valve Products  
“V” & “P” Series**

**“P” Series Peripheral Modules**

Peripheral Modules are available and can be mounted directly to valves or used as a stand alone product. These modules answer the complementary needs of the cylinders, flow controls, pressure regulation or positioning.



**Flow Control**



**Pressure Regulator**



**Dual P.O. Check Valve**



**Vacuum Generator**

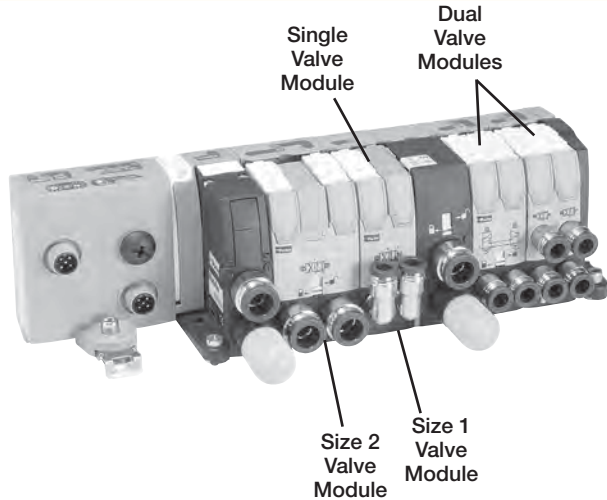
D	Subbase & Manual Valves
H Series Micro	
Modulflex Series	
H Series ISO	
Fieldbus Systems	
DX ISOMAX Series	
Valvair II Series	



For inventory, lead times, and kit lookup, visit [www.pdnplu.com](http://www.pdnplu.com)



**Valve Function**



Moduflex Valve Islands offer the greatest flexibility for your design requirements.

Valve Modules are available as 4-Way or 3-Way valves and can be ordered as single or dual valves. A Single Valve Module has one valve in one valve body. A Dual Valve Module will have 2 valves in one valve body. Each Valve in the Dual Valve Body is controlled by a solenoid or air pilot and can be operated independently from the other valve in the same body. There are no dimensional difference between a single and a dual valve. Flow Rates are reduced on the dual valves.

Single valve modules offer Ceramic Slide Valve Technology while dual valve modules offer WCS – Wear Compensation System Technology. Both offer low friction shift forces, fast response and less spool wear.

Valve Modules are available in two different valve body sizes. Size 1 and Size 2 Valve Modules can be combined in both “T” and “V” Series Valve Islands without transition kits.

**4/2, 4-Way, 2-Position Valves**

Single Valves	ANSI Symbol	Description	Size 1 Body	Size 2 Body
		Single Solenoid, Spring Return Valve	Cv = .32	Cv = .80
		Single Air Pilot, Spring Return Valve		
		Double Solenoid Valve	Cv = .32	Cv = .80
		Double Air Pilot Valve		
Dual Valves	ANSI Symbol	Description	Size 1 Body	Size 2 Body
		(2) Single Solenoid, Spring Return Valve with Exhaust Check. Double Solenoid Valve Body	Cv = .18	N/A
		(2) Single Air Pilot, Spring Return Valve with Exhaust Check. Double Air Pilot Valve Body		

D

Subbase & Manual Valves

H Series Micro

Moduflex Series

H Series ISO

Fieldbus Systems

DX ISOMAX Series

Valvair II Series




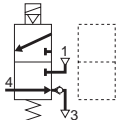

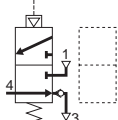

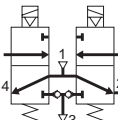

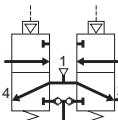

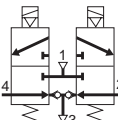

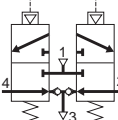
For inventory, lead time, and kit lookup, visit [www.pdnplu.com](http://www.pdnplu.com)

D31

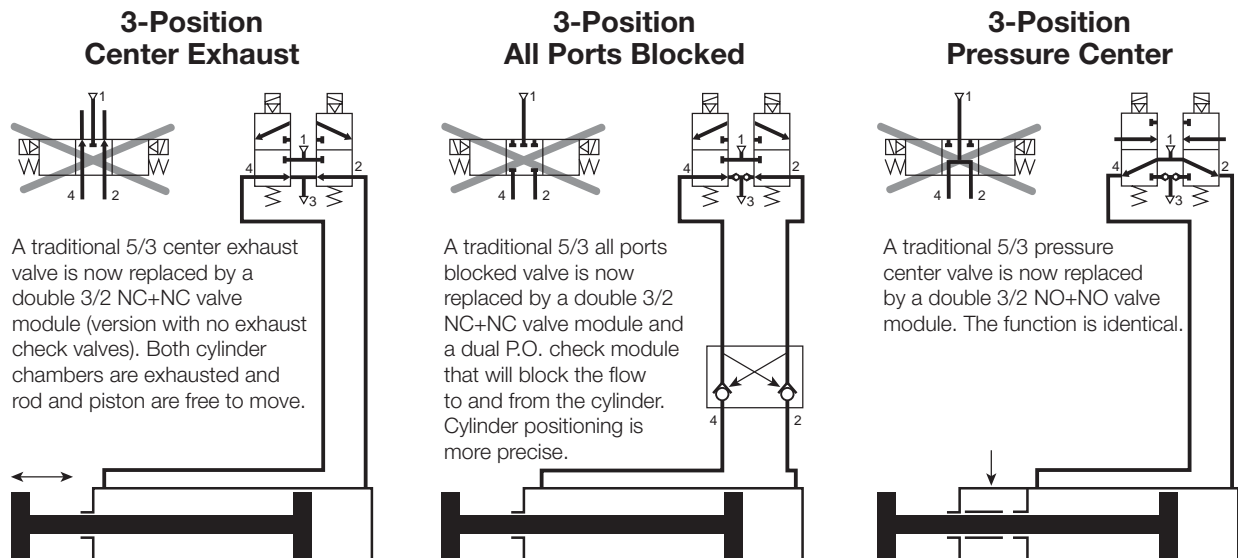
**Parker Hannifin Corporation**  
 Pneumatic Division  
 Richland, Michigan  
[www.parker.com/pneumatics](http://www.parker.com/pneumatics)



**3/2, 3-Way, 2-Position Valves**

Single Valves	ANSI Symbol	Description	Size 1 Body	Size 2 Body
		Single Solenoid, NC, Spring Return Valve with Exhaust Check.	Cv = .22	Cv = .44
		Single Air Pilot, NC, Spring Return Valve with Exhaust Check.		
Dual Valves	ANSI Symbol	Description	Size 1 Body	Size 2 Body
		(2) Single Solenoid, NO, Spring Return Valve with Exhaust Check. Double Solenoid Valve Body	Cv = .22	Cv = .44
		(2) Single Air Pilot, NO, Spring Return Valve with Exhaust Check. Double Air Pilot Valve Body		
		(2) Single Solenoid, NC, Spring Return Valve with Exhaust Check. Double Solenoid Valve Body	Cv = .22	Cv = .44
		(2) Single Air Pilot, NC, Spring Return Valve with Exhaust Check. Double Air Pilot Valve Body		

**Dual 3/2 Valves Replace All 3-Position Valves for a Better Performance**



For inventory, lead times, and kit lookup, visit [www.pdnplu.com](http://www.pdnplu.com)


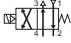


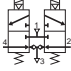
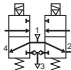

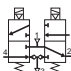
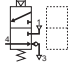
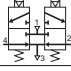
D32

**Parker Hannifin Corporation**  
 Pneumatic Division  
 Richland, Michigan  
[www.parker.com/pneumatics](http://www.parker.com/pneumatics)

**D**  
 Subbase & Manual Valves  
 H Series Micro  
 Moduflex Series  
 H Series ISO  
 Fieldbus Systems  
 DX ISOMAX Series  
 Valvair II Series

Common Part Numbers

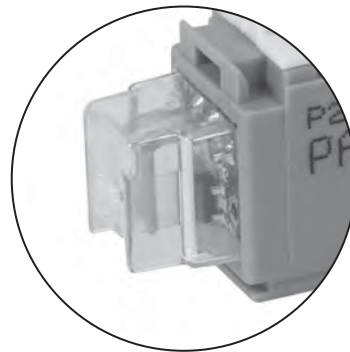
"S" Series Individual Subbase Valves (Valve & Base without Pneumatic Connectors)

	Symbol	Type	Operator	Pilot connector	Cv	Part number	
						Size 1	Size 2
 Single Solenoid		4-way, 2-position	Single solenoid	M8 Lockable	0.32	<b>P2M1S4ES2C</b>	<b>P2M2S4ES2C</b>
				Clip		P2M1S4ES2CW	P2M2S4ES2CW
			Single air pilot			P2M1S4PS	P2M2S4PS
		4-way, 2-position	Double solenoid	M8 Lockable	0.32	<b>P2M1S4EE2C</b>	<b>P2M2S4EE2C</b>
				Clip		P2M1S4EE2CW	P2M2S4EE2CW
			Double air pilot			P2M1S4PP	P2M2S4PP
 Double Solenoid		3-way, 2-position, dual valve, NC/NC w/ exhaust check	Double solenoid	M8 Lockable	0.22	<b>P2M1SDEE2C</b>	<b>P2M2SDEE2C</b>
				Clip		P2M1SDEE2CW	P2M2SDEE2CW
			Double air pilot			P2M1SDPP	P2M2SDPP
		3-way, 2-position, dual valve, NO/NO w/ exhaust check	Double solenoid	M8 Lockable	0.22	<b>P2M1SCEE2C</b>	<b>P2M2SCEE2C</b>
				Clip		P2M1SCEE2CW	P2M2SCEE2CW
			Double air pilot			P2M1SCPP	P2M2SCPP
 Single Air Pilot		3-way, 2-position, dual valve, NC/NO w/ exhaust check	Double solenoid	M8 Lockable	0.22	<b>P2M1SEEE2C</b>	<b>P2M2SEEE2C</b>
				Clip		P2M1SEEE2CW	P2M2SEEE2CW
				3-way, 2-position, NC w/ exhaust check		Single solenoid	M8 Lockable
		Clip			P2M1S3ES2CW	P2M2S3ES2CW	
	Single air pilot				P2M1S3PS	P2M2S3PS	
		3-way, 2-position, dual valve, NC/NC	Double solenoid	M8 Lockable	0.22	<b>P2M1SGEE2C</b>	<b>P2M2SGEE2C</b>
			Clip	P2M1SGEE2CW		P2M2SGEE2CW	

Note: Includes 5/32" (4mm) Air Pilot Connectors.



M8 2-pin, male connector



Clip Connector with LED & surge protection

 Most popular.



For inventory, lead time, and kit lookup, visit [www.pdnplu.com](http://www.pdnplu.com)

D33

Parker Hannifin Corporation  
Pneumatic Division  
Richland, Michigan  
[www.parker.com/pneumatics](http://www.parker.com/pneumatics)

D

Subbase & Manual Valves

H Series Micro

Moduflex Series








H Series ISO

Fieldbus Systems

DX ISOMAX Series

Valvair II Series

**"S" Series Accessories**

Description	Tube Size (OD)	Option	Part number	Part number
			Size 1	Size 2
 Push to connect fitting	5/32"	Elbow	<b>CMD04-1</b>	—
		Straight	<b>FMD04-1</b>	—
	1/4"	Elbow	<b>CMD07-1B</b>	<b>CMD07-2B</b>
		Straight	<b>FMD07-1B</b>	<b>FMD07-2B</b>
	3/8"	Elbow	—	<b>CMD09-2B</b>
		Straight	—	<b>FMD09-2B</b>
	1/2"	Straight	—	<b>FMD13-2B</b>
	6mm	Elbow	<b>CMD06-1</b>	<b>CMD06-2</b>
		Straight	<b>FMD06-1</b>	<b>FMD06-2</b>
	8mm	Elbow	—	<b>CMD08-2</b>
		Straight	—	<b>FMD08-2</b>
	10mm	Elbow	—	<b>CMD10-2</b>
		Straight	—	<b>FMD10-2</b>
	12mm	Elbow	—	<b>CMD12-2</b>
Straight		—	<b>FMD12-2</b>	
 Muffler for exhaust port			<b>MMDVA1</b>	<b>MMDVA2</b>
 Plug			—	<b>PMDYY2</b>
 Double male union		Connecting peripheral modules	<b>HMDXX1</b>	<b>HMDXX2</b>
 M8 female connector to flying lead - IP67 LED and surge protection		2m Cable	<b>P8LS08L226C</b>	<b>P8LS08L226C</b>
		5m Cable	<b>P8LS08L526C</b>	<b>P8LS08L526C</b>
		9m Cable	<b>P8LS08L926C</b>	<b>P8LS08L926C</b>
 Clip connector – IP40 Individual: including 2 flying leads Multiple: 1 common (0 VDC) and 1 flying lead per connector	1 x Clip connector	1 meter	<b>P8LW021C</b>	<b>P8LW021C</b>
	2 x Clip connector	1 meter	<b>P8LW021C02</b>	<b>P8LW021C02</b>
	4 x Clip connector	1 meter	<b>P8LW021C04</b>	<b>P8LW021C04</b>
	8 x Clip connector	1 meter	<b>P8LW021C08</b>	<b>P8LW021C08</b>
 Field wireable connector		M8 Connector	<b>P8CS0803J</b>	<b>P8CS0803J</b>
		M12 Connector	<b>P8CS1204J</b>	<b>P8CS1204J</b>

Note: 85 Durometer minimum for pneumatic connectors.

 Most popular.

**D**  
 Subbase & Manual Valves  
 H Series Micro  
 Moduflex Series  
 H Series ISO  
 Fieldbus Systems  
 DX ISOMAX Series  
 Valvair II Series



For inventory, lead times, and kit lookup, visit [www.pdnplu.com](http://www.pdnplu.com)

**"S" Series Individual Subbase Valve**  
*(Complete with Pneumatic and Electrical Connectors)*

	<b>P2M</b>	<b>1</b>	<b>S</b>	<b>4ES</b>	<b>2C</b>	<b>00</b>	<b>A</b>	<b>F4</b>
<b>Basic series</b>	<b>Moduflex P2M</b>							
<b>Size</b>								
Size 1	1							
Size 2	2							
<b>Valve series</b>	<b>Individual subbase S</b>							
<b>Valve type / function</b>								
<b>3-way / 2-position</b>								
Single solenoid, NC spring return	3ES							
Single air pilot, NC spring return	3PS							
<b>4-way / 2-position</b>								
Single solenoid, spring return	4ES							
Single air pilot, spring return	4PS							
Double solenoid	4EE							
Double air pilot	4PP							
<b>Dual 3-way, 2-position, spring return</b>								
Solenoid, NC / NC + PO check (4/3 APB)	BEE*							
Air pilot, NC / NC + PO check (4/3 APB)	BPP*							
Solenoid, NO / NO (4/3 Pressure Ctr.)	CEE							
Air pilot NO / NO (4/3 Pressure Ctr.)	CPP							
<b>Solenoid, NC / NC with exhaust check</b>	<b>DEE</b>							
Air pilot, NC / NC with exhaust check	DPP							
Solenoid, NO / NC with exhaust check	EEE							
Solenoid, NC / NC without check (4/3 Exh. Ctr.)	GEE							
* Valve includes peripheral P. O. Check Valve and union fittings.								
<b>Ports (all ports)</b>								
C0*	10mm Elbow fitting							
C2*	12mm Elbow fitting							
<b>C4</b>	<b>5/32" (4mm) Elbow fitting</b>							
C6	6mm Elbow fitting							
<b>C7</b>	<b>1/4" Elbow fitting</b>							
C8*	8mm Elbow fitting							
<b>C9*</b>	<b>3/8" Elbow fitting</b>							
F0*	10mm Straight fitting							
F2*	12mm Straight fitting							
<b>F3*</b>	<b>1/2" Straight fitting</b>							
<b>F4</b>	<b>5/32" (4mm) Straight fitting</b>							
F6	6mm Straight fitting							
<b>F7</b>	<b>1/4" Straight fitting</b>							
F8*	8mm Straight fitting							
<b>F9*</b>	<b>3/8" Straight fitting</b>							
* Only available with size 2 valves.								
<b>Fitting configuration</b>								
<b>A*</b>	<b>Straight fittings</b>							
<b>B*</b>	<b>Elbow fittings</b>							
<b>C*†</b>	<b>Straight fitting &amp; muffler</b>							
<b>D*†</b>	<b>Elbow fitting &amp; muffler</b>							
* Ports 1 & 3 fittings sizes are same as ports 2 & 4 (see example at left.)								
† Fitting in port 1, muffler in port 3.								
<b>LED / Cable</b>								
<b>00</b>	<b>No cable, no LED, no surge suppression</b>							
<b>V2</b>	<b>2 Meter cable with LED and surge suppression</b>							
V5	5 Meter cable with LED and surge suppression							
V9	9 Meter cable with LED and surge suppression							
W0	No Cable							
W1	1 Meter cable, clip connector							

	<b>Operator voltage</b>
24VDC	<b>2C</b>
Remote pilot - 5/32" (4mm) Tube	00

**Example for fitting configuration:**

**Size 1**

CF7 Ports 1 & 3  
1/4" straight fitting & muffler  
Ports 2 & 4  
1/4" straight fittings

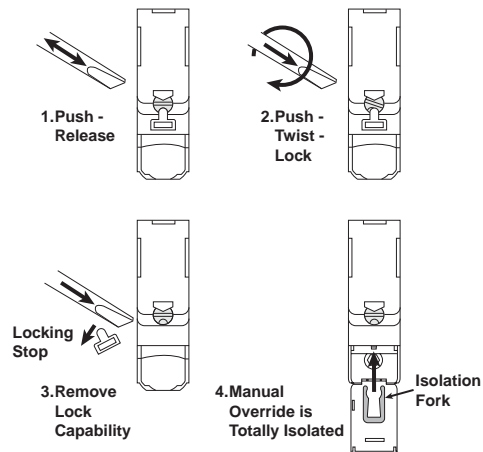
**Size 2**

AC0 Ports 1 & 3  
10mm elbow fittings  
Ports 2 & 4  
10mm elbow fittings

**With only one universal solenoid pilot for all configurations**

24VDC is now a global standard for all machines. The Moduflex 24VDC unique solenoid pilot is supplied with the multi-function manual override that can be adapted to all requirements, as explained by the drawings.

**Multi-function adaptable manual override**



  Most popular.



For inventory, lead time, and kit lookup, visit [www.pdnplu.com](http://www.pdnplu.com)

D35

**Parker Hannifin Corporation**  
 Pneumatic Division  
 Richland, Michigan  
[www.parker.com/pneumatics](http://www.parker.com/pneumatics)

**D**

Subbase & Manual Valves

H Series Micro

Moduflex Series

H Series ISO

Fieldbus Systems

DX ISOMAX Series

Valvair II Series



**Example:**

Size 1, 4-Way Single Solenoid valve with 1/4" Straight Connectors in Ports 1, 2 and 4. Exhaust Muffler in Port 3. Valve to include 2m cable with LED and surge suppression.

**"S" Series Single Solenoid**

**How to Order Complete Valve Assembly**

Line Item	Quantity	Part Number	Description
1	1	<b>P2M1S4ES2CV2CF7</b>	Size 1, Individual Subbase Valve, 4 Way, Single Solenoid, 2m Cable with LED / Surge Suppression, Exhaust Muffler with 1/4" OD Straight Port Fittings

**Notes:**

1. Cables supplied loose with valve.
2. For LED and Surge Suppressor, cable must be supplied with valve.

**How to Order Components**

Line item	Quantity	Part number	Description
1	1	<b>P2M1S4ES2C</b>	Size 1, Individual Subbase Valve, Single Solenoid, 4 Way
2	1	<b>P8LS08L226C</b>	2m Cable with LED / Surge Suppression
3	3	<b>FMD07-1B</b>	Size 1, 1/4" OD Tube Push In Connector
4	1	<b>MMDVA1</b>	Size 1, Muffler for Exhaust Port

**D**

Subbase & Manual Valves

H Series Micro

Moduflex Series

H Series ISO

Fieldbus Systems


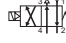



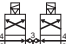
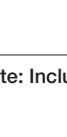
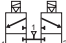
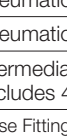
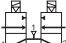

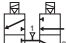

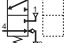


DX ISOMAX Series

Valvair II Series



For inventory, lead times, and kit lookup, visit [www.pdnplu.com](http://www.pdnplu.com)

"T" Series Manifold Valves with Individual Connectors

	Symbol	Type	Operator	Pilot connector	Cv	Part number	
						Size 1	Size 2
		4-way, 2-position	Single solenoid	M8 Lockable	0.32	<b>P2M1T4ES2C</b>	<b>P2M2T4ES2C</b>
				Clip		P2M1T4ES2CW	P2M2T4ES2CW
			Single air pilot		P2M1T4PS	P2M2T4PS	
		4-way, 2-position	Double solenoid	M8 Lockable	0.32	<b>P2M1T4EE2C</b>	<b>P2M2T4EE2C</b>
				Clip		P2M1T4EE2CW	P2M2T4EE2CW
			Double air pilot		P2M1T4PP	P2M2T4PP	
		4-way, 2-position, dual valve w/ exhaust check	Double solenoid	M8 Lockable	0.18	<b>P2M1TJEE2C</b>	—
				Clip		P2M1TJEE2CW	—
			Double air pilot		P2M1TJPP	—	
		3-way, 2-position, dual valve, NC/NC w/ exhaust check	Double solenoid	M8 Lockable	0.22	<b>P2M1TDDEE2C</b>	<b>P2M2TDDEE2C</b>
				Clip		P2M1TDDEE2CW	P2M2TDDEE2CW
			Double air pilot		P2M1TDPP	P2M2TDPP	
		3-way, 2-position, dual valve, NO/NO w/ exhaust check	Double solenoid	M8 Lockable	0.22	<b>P2M1TCDEE2C</b>	<b>P2M2TCDEE2C</b>
				Clip		P2M1TCDEE2CW	P2M2TCDEE2CW
			Double air pilot		P2M1TCPP	P2M2TCPP	
		3-way, 2-position, dual valve, NC/NO w/ exhaust check	Double solenoid	M8 Lockable	0.22	<b>P2M1TEEE2C</b>	<b>P2M2TEEE2C</b>
				Clip		P2M1TEEE2CW	P2M2TEEE2CW
			Single air pilot		P2M1T3PS	P2M2T3PS	
		3-way, 2-position, NC w/ exhaust check	Single solenoid	M8 Lockable	0.22	<b>P2M1T3ES2C</b>	<b>P2M2T3ES2C</b>
				Clip		P2M1T3ES2CW	P2M2T3ES2CW
			Single air pilot		P2M1T3PS	P2M2T3PS	
		3-way, 2-position, dual valve, NC/NC	Double solenoid	M8 Lockable	0.22	<b>P2M1TGEE2C</b>	<b>P2M2TGEE2C</b>
				Clip		P2M1TGEE2CW	P2M2TGEE2CW

Note: Includes 5/32" (4mm) Air Pilot Connectors.

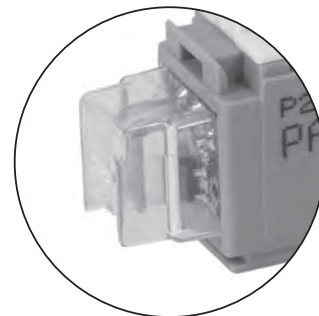
Manifold Options

Module	Part number
Pneumatic end plate kit	<b>P2M2HXT01*</b>
Pneumatic end plate kit with torx screwdriver	<b>P2M2HXT0T*</b>
Intermediate supply module (Includes 4 configuration plates)	<b>P2M2BXT0A*</b>


\* Use Fittings for Size 2 Modules Only



M8 2-pin, male connector



Clip Connector with LED & surge protection

 Most popular.



For inventory, lead time, and kit lookup, visit [www.pdnplu.com](http://www.pdnplu.com)

D37

Parker Hannifin Corporation  
Pneumatic Division  
Richland, Michigan  
[www.parker.com/pneumatics](http://www.parker.com/pneumatics)

D

Subbase & Manual Valves

H Series Micro

Moduflex Series

H Series ISO









Fieldbus Systems

DX ISOMAX Series

Valvair II Series



**"T" Series Size Accessories**

Description	Tube size OD	Option	Part number	Part number	
			Size 1	Size 2	
 <p>Push to connect fitting</p>	5/32" or 4mm	Elbow	<b>CMD04-1</b>	—	
		Straight	<b>FMD04-1</b>	—	
	1/4"	Elbow	<b>CMD07-1B</b>	<b>CMD07-2B</b>	
		Straight	<b>FMD07-1B</b>	<b>FMD07-2B</b>	
	3/8"	Elbow	—	<b>CMD09-2B</b>	
		Straight	—	<b>FMD09-2B</b>	
	1/2"	Straight	—	<b>FMD13-2B</b>	
	6mm	Elbow	<b>CMD06-1</b>	<b>CMD06-2</b>	
		Straight	<b>FMD06-1</b>	<b>FMD06-2</b>	
	8mm	Elbow	—	<b>CMD08-2</b>	
		Straight	—	<b>FMD08-2</b>	
	10mm	Elbow	—	<b>CMD10-2</b>	
		Straight	—	<b>FMD10-2</b>	
	12mm	Elbow	—	<b>CMD12-2</b>	
Straight		—	<b>FMD12-2</b>		
 <p>Muffler for exhaust port</p>			<b>MMDVA1</b>	<b>MMDVA2</b>	
 <p>Plug</p>			<b>PMDYY1</b>	<b>PMDYY2</b>	
 <p>Double male union</p>		Connecting peripheral modules	<b>HMDXX1</b>	<b>HMDXX2</b>	
 <p>M8 female connector to flying lead - IP67 LED and surge protection</p>		2M cable	<b>P8LS08L226C</b>	<b>P8LS08L226C</b>	
		5M cable	<b>P8LS08L526C</b>	<b>P8LS08L526C</b>	
		9M cable	<b>P8LS08L926C</b>	<b>P8LS08L926C</b>	
 <p>Clip connector – IP40</p>	1 x Clip connector	1 meter	<b>P8LW021C</b>	<b>P8LW021C</b>	
	Individual: including 2 flying leads	2 x Clip connector	1 meter	<b>P8LW021C02</b>	<b>P8LW021C02</b>
	Multiple: 1 common (0 VDC) and 1 flying lead per connector	4 x Clip connector	1 meter	<b>P8LW021C04</b>	<b>P8LW021C04</b>
		8 x Clip connector	1 meter	<b>P8LW021C08</b>	<b>P8LW021C08</b>
 <p>Field wireable connector</p>		M8 connector	<b>P8CS0803J</b>	<b>P8CS0803J</b>	
		M12 connector	<b>P8CS1204J</b>	<b>P8CS1204J</b>	
 <p>Torx screwdriver</p>			<b>P2M1K0TASD</b>	<b>P2M1K0TASD</b>	

Note: 85 Durometer minimum for pneumatic connectors.

 Most popular.

**D**

**Subbase & Manual Valves**

H Series Micro

Moduflex Series

H Series ISO

Fieldbus Systems

DX ISOMAX Series

Valvair II Series



For inventory, lead times, and kit lookup, visit [www.pdnplu.com](http://www.pdnplu.com)

**"T" Series Valve Manifold with Individual Connectors**  
*(Complete with Pneumatic and Electrical Connectors)*

**P2M 1 T 4ES 2C 00 0 F4**

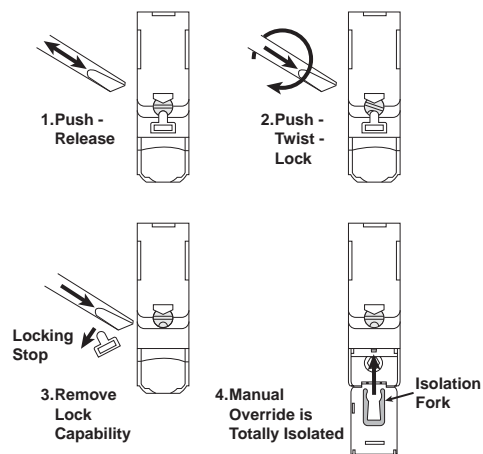
<b>Basic series</b>	Valvetronic modules P2M																																								
<b>Size</b>	Size 1 1 Size 2 2																																								
<b>Valve series</b>	Individual wire T																																								
<b>Valve type / function</b>	<table border="1" style="width: 100%; border-collapse: collapse;"> <tr><td colspan="2"><b>3-way / 2-position</b></td></tr> <tr><td>Single solenoid, NC spring return</td><td>3ES</td></tr> <tr><td>Single air pilot, NC spring return</td><td>3PS</td></tr> <tr><td colspan="2"><b>4-way / 2-position</b></td></tr> <tr><td>Single solenoid, spring return</td><td>4ES</td></tr> <tr><td>Single air pilot, spring return</td><td>4PS</td></tr> <tr><td>Double solenoid</td><td>4EE</td></tr> <tr><td>Double air pilot</td><td>4PP</td></tr> <tr><td colspan="2"><b>Dual 3-way, 2-position, spring return</b></td></tr> <tr><td>Solenoid, NC / NC + PO check (4/3 APB)</td><td>BEE*</td></tr> <tr><td>Air pilot, NC / NC + PO check (4/3 APB)</td><td>BPP*</td></tr> <tr><td>Solenoid, NO / NO (4/3 Pressure Ctr.)</td><td>CEE</td></tr> <tr><td>Air pilot NO / NO (4/3 Pressure Ctr.)</td><td>CPP</td></tr> <tr><td>Solenoid, NC / NC with exhaust check</td><td>DEE</td></tr> <tr><td>Air pilot, NC / NC with exhaust check</td><td>DPP</td></tr> <tr><td>Solenoid, NO / NC with exhaust check</td><td>EEE</td></tr> <tr><td>Solenoid, NC / NC without check (4/3 Exh. Ctr.)</td><td>GEE</td></tr> <tr><td colspan="2"><b>Dual 4-way, 2-position, Spring Return</b></td></tr> <tr><td>Solenoid</td><td>JEE**</td></tr> <tr><td>Air pilot</td><td>JPP**</td></tr> </table>	<b>3-way / 2-position</b>		Single solenoid, NC spring return	3ES	Single air pilot, NC spring return	3PS	<b>4-way / 2-position</b>		Single solenoid, spring return	4ES	Single air pilot, spring return	4PS	Double solenoid	4EE	Double air pilot	4PP	<b>Dual 3-way, 2-position, spring return</b>		Solenoid, NC / NC + PO check (4/3 APB)	BEE*	Air pilot, NC / NC + PO check (4/3 APB)	BPP*	Solenoid, NO / NO (4/3 Pressure Ctr.)	CEE	Air pilot NO / NO (4/3 Pressure Ctr.)	CPP	Solenoid, NC / NC with exhaust check	DEE	Air pilot, NC / NC with exhaust check	DPP	Solenoid, NO / NC with exhaust check	EEE	Solenoid, NC / NC without check (4/3 Exh. Ctr.)	GEE	<b>Dual 4-way, 2-position, Spring Return</b>		Solenoid	JEE**	Air pilot	JPP**
<b>3-way / 2-position</b>																																									
Single solenoid, NC spring return	3ES																																								
Single air pilot, NC spring return	3PS																																								
<b>4-way / 2-position</b>																																									
Single solenoid, spring return	4ES																																								
Single air pilot, spring return	4PS																																								
Double solenoid	4EE																																								
Double air pilot	4PP																																								
<b>Dual 3-way, 2-position, spring return</b>																																									
Solenoid, NC / NC + PO check (4/3 APB)	BEE*																																								
Air pilot, NC / NC + PO check (4/3 APB)	BPP*																																								
Solenoid, NO / NO (4/3 Pressure Ctr.)	CEE																																								
Air pilot NO / NO (4/3 Pressure Ctr.)	CPP																																								
Solenoid, NC / NC with exhaust check	DEE																																								
Air pilot, NC / NC with exhaust check	DPP																																								
Solenoid, NO / NC with exhaust check	EEE																																								
Solenoid, NC / NC without check (4/3 Exh. Ctr.)	GEE																																								
<b>Dual 4-way, 2-position, Spring Return</b>																																									
Solenoid	JEE**																																								
Air pilot	JPP**																																								
<b>Ports 2 &amp; 4</b>	<table border="1" style="width: 100%; border-collapse: collapse;"> <tr><td>C0*</td><td>10mm Elbow fitting</td></tr> <tr><td>C2*</td><td>12mm Elbow fitting</td></tr> <tr><td><b>C4</b></td><td><b>5/32" (4mm) Elbow fitting</b></td></tr> <tr><td>C6</td><td>6mm Elbow fitting</td></tr> <tr><td><b>C7</b></td><td><b>1/4" Elbow fitting</b></td></tr> <tr><td>C8*</td><td>8mm Elbow fitting</td></tr> <tr><td><b>C9*</b></td><td><b>3/8" Elbow fitting</b></td></tr> <tr><td>F0*</td><td>10mm Straight fitting</td></tr> <tr><td>F2*</td><td>12mm Straight fitting</td></tr> <tr><td><b>F3*</b></td><td><b>1/2" Straight fitting</b></td></tr> <tr><td><b>F4</b></td><td><b>5/32" (4mm) Straight fitting</b></td></tr> <tr><td>F6</td><td>6mm Straight fitting</td></tr> <tr><td><b>F7</b></td><td><b>1/4" Straight fitting</b></td></tr> <tr><td>F8*</td><td>8mm Straight fitting</td></tr> <tr><td><b>F9*</b></td><td><b>3/8" Straight fitting</b></td></tr> </table> <p style="font-size: small;">* Only available with size 2 valves.</p>	C0*	10mm Elbow fitting	C2*	12mm Elbow fitting	<b>C4</b>	<b>5/32" (4mm) Elbow fitting</b>	C6	6mm Elbow fitting	<b>C7</b>	<b>1/4" Elbow fitting</b>	C8*	8mm Elbow fitting	<b>C9*</b>	<b>3/8" Elbow fitting</b>	F0*	10mm Straight fitting	F2*	12mm Straight fitting	<b>F3*</b>	<b>1/2" Straight fitting</b>	<b>F4</b>	<b>5/32" (4mm) Straight fitting</b>	F6	6mm Straight fitting	<b>F7</b>	<b>1/4" Straight fitting</b>	F8*	8mm Straight fitting	<b>F9*</b>	<b>3/8" Straight fitting</b>										
C0*	10mm Elbow fitting																																								
C2*	12mm Elbow fitting																																								
<b>C4</b>	<b>5/32" (4mm) Elbow fitting</b>																																								
C6	6mm Elbow fitting																																								
<b>C7</b>	<b>1/4" Elbow fitting</b>																																								
C8*	8mm Elbow fitting																																								
<b>C9*</b>	<b>3/8" Elbow fitting</b>																																								
F0*	10mm Straight fitting																																								
F2*	12mm Straight fitting																																								
<b>F3*</b>	<b>1/2" Straight fitting</b>																																								
<b>F4</b>	<b>5/32" (4mm) Straight fitting</b>																																								
F6	6mm Straight fitting																																								
<b>F7</b>	<b>1/4" Straight fitting</b>																																								
F8*	8mm Straight fitting																																								
<b>F9*</b>	<b>3/8" Straight fitting</b>																																								
<b>Ports 1 &amp; 3</b>	0 None																																								
<b>LED / Cable</b>	<table border="1" style="width: 100%; border-collapse: collapse;"> <tr><td><b>00</b></td><td><b>No cable, no LED, no surge suppression</b></td></tr> <tr><td><b>V2</b></td><td><b>2 Meter cable with LED and surge suppression</b></td></tr> <tr><td>V5</td><td>5 Meter cable with LED and surge suppression</td></tr> <tr><td>V9</td><td>9 Meter cable with LED and surge suppression</td></tr> <tr><td>W0</td><td>No Cable</td></tr> <tr><td>W1</td><td>1 Meter cable, clip connector</td></tr> </table>	<b>00</b>	<b>No cable, no LED, no surge suppression</b>	<b>V2</b>	<b>2 Meter cable with LED and surge suppression</b>	V5	5 Meter cable with LED and surge suppression	V9	9 Meter cable with LED and surge suppression	W0	No Cable	W1	1 Meter cable, clip connector																												
<b>00</b>	<b>No cable, no LED, no surge suppression</b>																																								
<b>V2</b>	<b>2 Meter cable with LED and surge suppression</b>																																								
V5	5 Meter cable with LED and surge suppression																																								
V9	9 Meter cable with LED and surge suppression																																								
W0	No Cable																																								
W1	1 Meter cable, clip connector																																								
<b>Operator Voltage</b>	<table border="1" style="width: 100%; border-collapse: collapse;"> <tr><td><b>2C</b></td><td><b>24VDC</b></td></tr> <tr><td>00</td><td>Remote pilot - 5/32" (4mm) tube</td></tr> </table>	<b>2C</b>	<b>24VDC</b>	00	Remote pilot - 5/32" (4mm) tube																																				
<b>2C</b>	<b>24VDC</b>																																								
00	Remote pilot - 5/32" (4mm) tube																																								

\* Valve includes peripheral P. O. check valve and union fittings.  
 \*\* Size 1 only.

**With only one universal solenoid pilot for all configurations**

24VDC is now a global standard for all machines. The Moduflex 24VDC unique solenoid pilot is supplied with the multi-function manual override that can be adapted to all requirements, as explained by the drawings.

**Multi-function adaptable manual override**



  Most popular.



For inventory, lead time, and kit lookup, visit [www.pdnplu.com](http://www.pdnplu.com)

D39

**Parker Hannifin Corporation**  
 Pneumatic Division  
 Richland, Michigan  
[www.parker.com/pneumatics](http://www.parker.com/pneumatics)

**D**

Subbase & Manual Valves

H Series Micro

Moduflex Series

H Series ISO

Fieldbus Systems

DX ISOMAX Series

Valvair II Series

## Ordering Information

## Subbase & Manifold Valve Products Moduflex "T" Series



### Example:

Size 1, 4-Way Single Solenoid valve with 1/4" Straight Connectors in Ports 2 and 4. Valve to include 2m cable with LED and surge suppression.

### "T" Series Single Solenoid

### How to Order Complete Valve Assembly

Line item	Quantity	Part number	Description
1	1	<b>P2M1T4ES2CV20F7</b>	Size 1, T Series Manifold Valves, 4 Way, Single Solenoid, 2m Cable with LED / Surge Suppression, 1/4" OD Straight Port Fittings

#### Notes:

1. Cables supplied loose with valve.
2. For LED and Surge Suppressor, cable must be supplied with valve.
3. To assemble into a manifold, Pneumatic Head and Tail Set must be ordered separately.

### How to Order Components

Line Item	Quantity	Part Number	Description
1	1	<b>P2M1T4ES2C</b>	Size 1, T Series Manifold Valves, Single Solenoid, 4 Way
2	1	<b>P8LS08L226C</b>	2m Cable with LED / Surge Suppression
3	2	<b>FMD07-1B</b>	Size 1, 1/4" OD Tube Push In Connector

D

Subbase & Manual  
Valves

H Series  
Micro

Moduflex  
Series

H Series  
ISO

Fieldbus  
Systems

DX ISOMAX  
Series

Valvair II  
Series







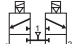

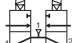
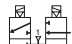


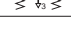
For inventory, lead times, and kit lookup, visit [www.pdnplu.com](http://www.pdnplu.com)


D40

**Parker Hannifin Corporation**  
Pneumatic Division  
Richland, Michigan  
[www.parker.com/pneumatics](http://www.parker.com/pneumatics)

Common Part Numbers

"V" Series Manifold Valves with Collective Wiring

	Symbol	Type	Operator	Cv	Part number	
					Size 1	Size 2
 <p>Single Solenoid</p>		4-way, 2-position	Single solenoid	0.32	<b>P2M1V4ES2CV</b>	0.8 <b>P2M2V4ES2CV</b>
		4-way, 2-position	Double solenoid	0.32	<b>P2M1V4EE2CV</b>	0.8 <b>P2M2V4EE2CV</b>
		4-way, 2-position, dual valve, w/ exhaust check	Double solenoid	0.18	<b>P2M1VJEE2CV</b>	
		3-way, 2-position, dual valve, NC/NC w/ exhaust check	Double solenoid	0.22	<b>P2M1VDEE2CV</b>	0.44 <b>P2M2VDEE2CV</b>
 <p>Double Solenoid</p>		3-way, 2-position, dual valve, NO/NO w/ exhaust check	Double solenoid	0.22	<b>P2M1VCEE2CV</b>	0.44 <b>P2M2VCEE2CV</b>
		3-way, 2-position, dual valve, NC/NO w/ exhaust check	Double solenoid	0.22	<b>P2M1VEEE2CV</b>	0.44 <b>P2M2VEEE2CV</b>
		3-way, 2-position, dual valve, NC/NO w/ exhaust check	Double solenoid	0.22	<b>P2M1VEEE2CV</b>	0.44 <b>P2M2VEEE2CV</b>
		3-way, 2-position, NC w/ exhaust check	Single solenoid	0.22	<b>P2M1V3ES2CV</b>	0.44 <b>P2M2V3ES2CV</b>
		3-way, 2-position, dual valve, NC/NC	Double solenoid	0.22	<b>P2M1VGEE2CV</b>	0.44 <b>P2M2VGEE2CV</b>

 Most popular.



For inventory, lead time, and kit lookup, visit [www.pdnplu.com](http://www.pdnplu.com)

D41

**Parker Hannifin Corporation**  
Pneumatic Division  
Richland, Michigan  
[www.parker.com/pneumatics](http://www.parker.com/pneumatics)

**D**

Subbase & Manual Valves

H Series Micro

Moduflex Series









H Series ISO

Fieldbus Systems

DX ISOMAX Series

Valvair II Series

"V" Series Accessories

Description	Tube size OD	Option	Part number	
			Size 1	Size 2
 Push to connect fitting	5/32"	Elbow	<b>CMD04-1</b>	—
		Straight	<b>FMD04-1</b>	—
	1/4"	Elbow	<b>CMD07-1B</b>	<b>CMD07-2B</b>
		Straight	<b>FMD07-1B</b>	<b>FMD07-2B</b>
	3/8"	Elbow	—	<b>CMD09-2B</b>
		Straight	—	<b>FMD09-2B</b>
	1/2"	Straight	—	<b>FMD13-2B</b>
		6mm	Elbow	<b>CMD06-1</b>
		Straight	<b>FMD06-1</b>	<b>FMD06-2</b>
	8mm	Elbow	—	<b>CMD08-2</b>
		Straight	—	<b>FMD08-2</b>
	10mm	Elbow	—	<b>CMD10-2</b>
Straight		—	<b>FMD10-2</b>	
12mm	Elbow	—	<b>CMD12-2</b>	
	Straight	—	<b>FMD12-2</b>	
 Muffler for exhaust port		—	<b>MMDVA1</b>	<b>MMDVA2</b>
 Plug		—	<b>PMDYY1</b>	<b>PMDYY2</b>
 Double male union		Connecting peripheral modules	<b>HMDXX1</b>	<b>HMDXX2</b>
 Electrical 20-pin multi-connector cable with flying leads	IP65 rated	2M cable	<b>P8LMH20M2A</b>	<b>P8LMH20M2A</b>
		5M cable	<b>P8LMH20M5A</b>	<b>P8LMH20M5A</b>
		9M cable	<b>P8LMH20M9A</b>	<b>P8LMH20M9A</b>
 Electrical 25-pin D-sub cable	IP20 rated	3M cable	<b>P8LMH25M3A</b>	<b>P8LMH25M3A</b>
		9M cable	<b>SCD259D</b>	<b>SCD259D</b>
	IP65 rated	3M cable	<b>SCD253W</b>	<b>SCD253W</b>
		9M cable	<b>SCD259WE</b>	<b>SCD259WE</b>
Field wireable connector for power supply	Female	M12 - A code	<b>P8CS1205AA</b>	
Line termination resistor	Profibus DP	M12 type B	<b>P8BPA00MB</b>	
	Devicenet or Canopen	M12 type A	<b>P8BPA00MA</b>	
 Power & Communication Cable	IO-Link	5-pin male to female cable, TPE	<b>RKC 4.5T*-RSC 4.5T/S1587</b>	
AS-i M12 cable with jack for addressing		1M cable	<b>P8LS12JACK</b>	
 Torx screwdriver		—	<b>P2M1K0TASD</b>	<b>P2M1K0TASD</b>

Where \* = 1, 2, 3, 4, 5, 10, 20 meter standard lengths

Note: 85 Durometer minimum for pneumatic connectors.

**D**  
 Subbase & Manual Valves  
 H Series Micro  
 Moduflex Series  
 H Series ISO  
 Fieldbus Systems  
 DX ISOMAX Series  
 Valvair II Series



For inventory, lead times, and kit lookup, visit [www.pdnplu.com](http://www.pdnplu.com)

**Electrical Connections**

Description	Part number
20-pin, Multi-connector electrical head module	<b>P2M2HEV0A</b>
25-pin, D-sub, electrical head module	<b>P2M2HEV0D</b>



P2M2HEV0A



P2M2HEV0D

**Fieldbus Connections**

Description		Part number
IO-Link Class A	3-Pin, Aux power 1 & 3	<b>P2M2HBVL12400A13</b>
IO-Link Class A	3-Pin, Aux power 4 & 3	<b>P2M2HBVL12400A43</b>
IO-Link Class A	3-Pin, Aux power 4 & 2	<b>P2M2HBVL12400A42</b>
IO-Link Class B	5-Pin, Aux power 2 & 5	<b>P2M2HBVL12400B25</b>
Profibus DP		<b>P2M2HBVP21600</b>
DeviceNet		<b>P2M2HBVD21600</b>
CANopen		<b>P2M2HBVC21600</b>
Interbus S		<b>P2M2HBVS11600</b>
AS-i	0 inputs and 8 solenoid outputs	<b>P2M2HBVA10800</b>
AS-i	8 (PNP) inputs on eight (M8) connectors and 8 solenoid outputs	<b>P2M2HBVA10808A</b>
AS-i	8 (PNP) inputs on four (M12) connectors and 8 solenoid outputs	<b>P2M2HBVA10808B</b>
AS-i Version 2.1 ProtocolAS-i	0 inputs and 6 solenoid outputs	<b>P2M2HBVA20600</b>
AS-i Version 2.1 ProtocolAS-i	8 (PNP) inputs on eight (M8) connectors and 6 solenoid outputs	<b>P2M2HBVA20608A</b>
AS-i Version 2.1 ProtocolAS-i	8 (PNP) inputs on four (M12) connectors and 6 solenoid outputs	<b>P2M2HBVA20608B</b>

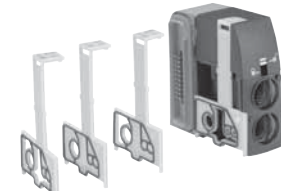
**Manifold Options**

Module	Part number
Pneumatic end plate kit	<b>P2M2HXT01*</b>
Pneumatic end plate kit with torx screwdriver	<b>P2M2HXT0T*</b>
Intermediate supply module (Includes 4 configuration plates)	<b>P2M2BXV0A*</b>

\* Use Fittings for Size 2 Modules Only



P2M2HXT01



P2M2BXV0A

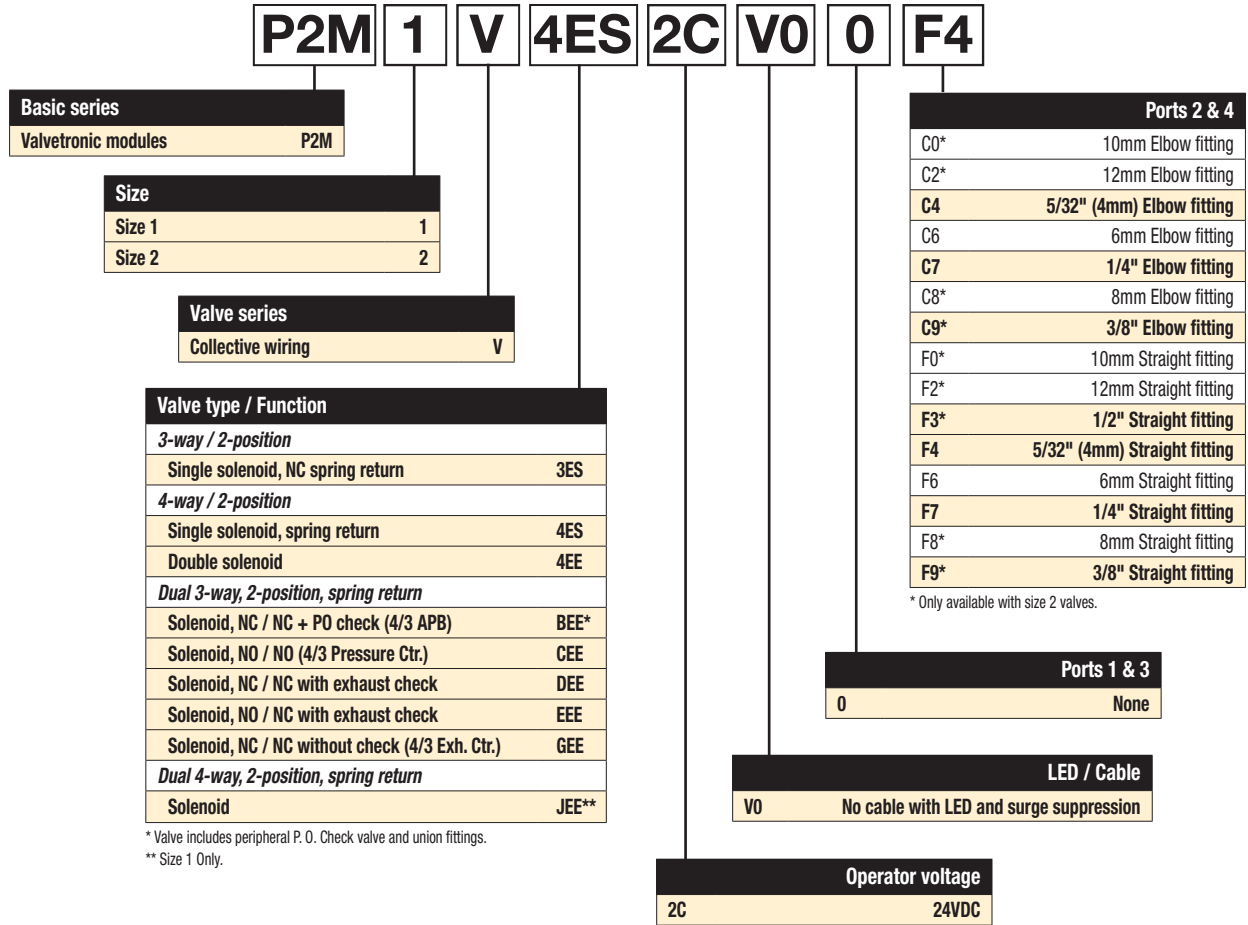
  Most popular.



For inventory, lead time, and kit lookup, visit [www.pdnplu.com](http://www.pdnplu.com)



**"V" Series Valve Manifold with Collective Wiring**  
*(Complete with Pneumatic Connectors)*



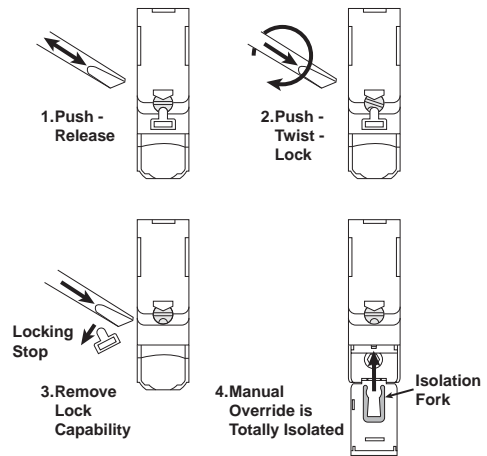
\* Valve includes peripheral P. O. Check valve and union fittings.  
 \*\* Size 1 Only.

**D**  
 Subbase & Manual Valves  
 H Series Micro  
 Moduflex Series  
 H Series ISO  
 Fieldbus Systems  
 DX ISOMAX Series  
 Valvair II Series

**With only one universal solenoid pilot for all configurations**

24VDC is now a global standard for all machines. The Moduflex 24VDC unique solenoid pilot is supplied with the multi-function manual override that can be adapted to all requirements, as explained by the drawings.

**Multi-function adaptable manual override**



Most popular.



For inventory, lead times, and kit lookup, visit [www.pdnplu.com](http://www.pdnplu.com)

**“V” Series Single Solenoid**



**How to Order -**

**Example:** Size 1, 4-Way Single Solenoid valve with 1/4" Straight Connectors in Ports 2 and 4. Valve to include LED and surge suppression.

Line item	Quantity	Part number	Description
<b>Complete Peripheral Module</b>			
1	1	<b>P2M2V4ES2CV00F7</b>	Size 1, V Series Manifold Valves, 4 Way, Single Solenoid, LED / Surge Suppression, 1/4" OD Straight Port Fittings
<b>Components</b>			
1	1	<b>P2M1V4ES2CV</b>	Size 1, V Series Manifold Valves, Single Solenoid, 4 Way
2	2	<b>FMD07-1B</b>	Size 1, 1/4" OD Tube Push In Connector

**D**

Subbase & Manual Valves

H Series Micro

Moduflex Series

H Series ISO

Fieldbus Systems

DX ISOMAX Series

Valvair II Series



For inventory, lead time, and kit lookup, visit [www.pdnplu.com](http://www.pdnplu.com)

D45

**Parker Hannifin Corporation**  
 Pneumatic Division  
 Richland, Michigan  
[www.parker.com/pneumatics](http://www.parker.com/pneumatics)

**"V" Series 25-Pin, D-Sub Addressing**



**Valve Island Head 25-Pin, Multi-Connector**

On the island head module, the multi-connector integrates the HE10 connector standard in its 25-Pin version.

Its plug-in function is secured in position with a guillotine lock with easy access from the front of the island.

The 25-Pin, D-Sub multi-connector is rated for IP40.

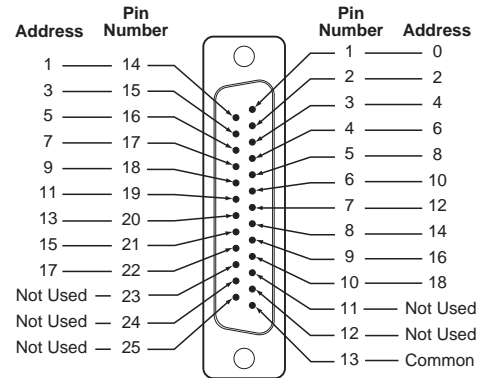
**25-Pin, Multi-Connector Addressing**

When assembling a **V Series** island, modules are automatically connected to the head module through the modular principle of the integrated electrical connections.

Each wire color code corresponds a solenoid pilot position in the island.



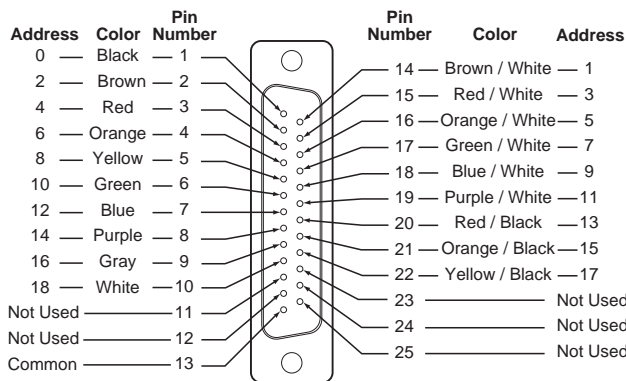
**P8LMH25M3A - Cable**



Face View - Male D-Sub, 25-Pin Head Module Connector

**Electrical 25-Pin D-Sub Cable**

Length (meters)	Weight (oz)	IP	Part number
3	14.3	20	<b>P8LMH25M3A</b>
3	14.3	65	<b>SCD253W</b>
9	55.8	20	<b>SCD259D</b>
9	55.8	65	<b>SCD259WE</b>



Face View - Female D-Sub, 25-Pin Cable Connector

**Electrical Specifications**

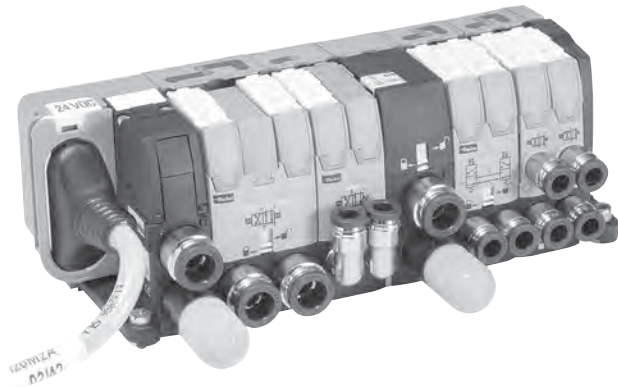
Rated voltage	24VDC
Maximum addresses	19
Maximum energized simultaneously	19
Electrical connection	25-Pin, D-Sub DIN41652, MIL-C-24308, NFC93425 Type HE5
Polarity	Insensitive: PNP and NPN compatible
Dust and water protection	IP40 / IP65

**D**  
 Subbase & Manual Valves  
 H Series Micro  
 Moduflex Series  
 H Series ISO  
 Fieldbus Systems  
 DX ISOMAX Series  
 Valvair II Series



For inventory, lead times, and kit lookup, visit [www.pdnplu.com](http://www.pdnplu.com)

**"V" Series 20-Pin, Multi-Connector and Addressing**



**Valve Island Head 20-Pin, Multi-Connector**

On the island head module, the multi-connector integrates the HE10 connector standard in its 20-Pin version.

Its plug-in function is secured in position with a guillotine lock with easy access from the front of the island.

Just like the whole island, the multi-connector follows the IP65 protection standard.

**Cable Specification:**

8.6 mm dia., UL, 20 wires, 0.22mm<sup>2</sup>, AWG 24

Minimum Static Radius: 6.5 mm (.255")

Available with 6.56 ft. (2 m), 16.4 ft. (5 m) and 29.5 ft. (9 m) lengths.

**20-Pin, Multi-Connector Addressing**

When assembling a **V Series** island, modules are automatically connected to the head module through the modular principle of the integrated electrical connections.

The color code addressing given below conforms to the DIN 47100 standard.

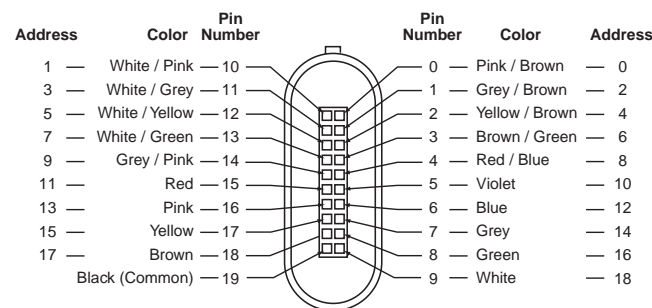
Each wire color code corresponds a solenoid pilot position in the island.



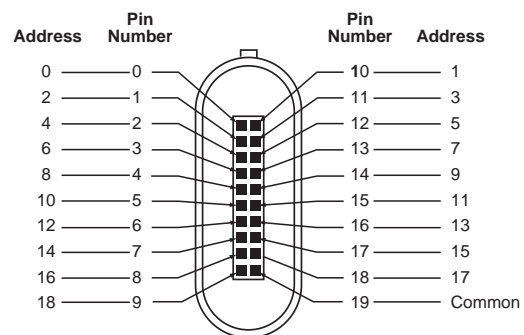
**P8LMH20M2A - Cable**

**Electrical 20-Pin Multi-Connector with Flying Lead Cable**

Cable length	Weight (oz)	IP	Part number
2 m	10.97	65	<b>P8LMH20M2A</b>
5 m	27.41	65	<b>P8LMH20M5A</b>
9 m	49.38	65	<b>P8LMH20M9A</b>



Face View - Female 20-Pin Cable Connector



Face View - Male 20-Pin Head Module Connector

**Electrical Specifications**

Rated Voltage	24VDC
Maximum Addresses	19
Maximum Energized Simultaneously	19
Electrical Connection	Type HE10
Polarity	Insensitive: PNP and NPN compatible
Dust and Water Protection	IP65

**D**

Subbase & Manual Valves

H Series Micro

Moduflex Series

H Series ISO

Fieldbus Systems

DX ISOMAX Series

Valvair II Series



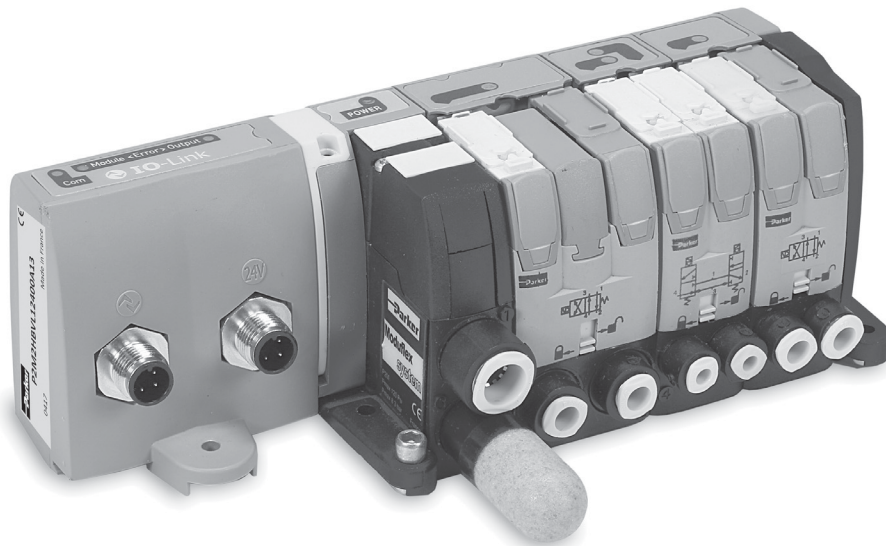
For inventory, lead time, and kit lookup, visit [www.pdnplu.com](http://www.pdnplu.com)

### The Moduflex Fieldbus System

Moduflex communication modules directly attach to the Moduflex head set. It offers a compact and low cost fieldbus solution.

#### Features

- Small, compact product design
- IO-Link Type A & Type B communication modules
- Broad protocol offering, including DeviceNet, Profibus, AS-i, CANopen, and Interbus
- Channel-level diagnostics (LED and Electronic)
- Inputs available with AS-i modules
- Horizontal and vertical mounting without derating
- 5g vibration
- Quick-disconnects for I/O and network connectivity
- Built-in panel grounding
- CE certification



<b>D</b>	<b>Subbase &amp; Manual</b>
<b>H Series</b>	<b>Micro</b>
<b>Moduflex</b>	<b>Series</b>
<b>H Series</b>	<b>ISO</b>
<b>Fieldbus</b>	<b>Systems</b>
<b>DX ISOMAX</b>	<b>Series</b>
<b>Valvair II</b>	<b>Series</b>

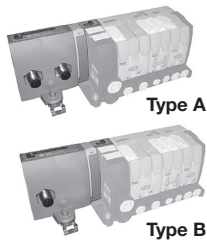


For inventory, lead times, and kit lookup, visit [www.pdnplu.com](http://www.pdnplu.com)



**“V” Series Valve Island**  
**Electrical fieldbus head module for IO-Link**

Electrical Module for 19 outputs (Moduflex Pilot Valves)  
 (The last 5 outputs of this 24 DO module can't be used with Moduflex Valve)

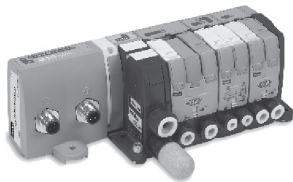


		M12 A coded Connector connection					
Description	IO-Link Class	IO-Link	Aux. Power	Aux. Power Pinout	Weight (g)	Part number	
Moduflex IO-Link Communication Module	Class A	3 Pin's	3 Pin's	1 & 3	160	<b>P2M2HBVL12400A13</b>	
		3 Pin's	3 Pin's	4 & 3	160	<b>P2M2HBVL12400A43</b>	
		3 Pin's	5 Pin's	4 & 2	160	<b>P2M2HBVL12400A42</b>	
	Class B	5 Pin's		2 & 5	140	<b>P2M2HBVL12400B25</b>	
Power & Communication Cable						<b>RKC 4.5T*-RSC 4.5T/S1587</b>	

IODD file can be downloaded from IODD Finder or the Moduflex web site:  
<https://ioddfinder.io-link.com> or [www.parker.com/pdn/io-link](http://www.parker.com/pdn/io-link)

Where \* = 1, 2, 3, 4, 5, 10, 20 meter standard lengths

**Moduflex Class A module with independent Auxiliary Power Supply**



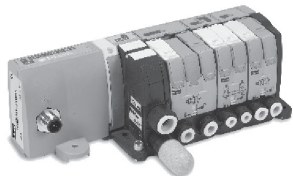
The Moduflex **IO-Link** Class A module can handle a Moduflex Valve bank having up to 19 pilot solenoid valves.

Thanks to its 2 x M12 A coded male connectors, it can be connected to any IO-Link Class A master and separately receive its auxiliary power supply for valves from an independent source.

The Moduflex **IO-Link** Class A module exists in 3 versions with the Auxiliary Power M12 connector pin out adapted to any sourcing through a standard M12 cable:

- P2M2HBVL12400A13 version: 24VDC / 0VDC on pins 1 & 3 – Standard version
- P2M2HBVL12400A43 version: 24VDC / 0VDC on pins 4 & 3 – Compatible with Siemens wiring
- P2M2HBVL12400A42 version: 24VDC / 0VDC on pins 4 & 2 – Compatible with Rockwell wiring and Turck

**Moduflex Class B module**



The Moduflex **IO-Link** Class B module can handle a Moduflex Valve bank having up to 19 pilot solenoid valves.

Thanks to its single M12 A coded male connectors, it can be connected to any IO-Link Class B master receiving its auxiliary power supply for valves on pins 2 & 5 from the only cable simplifying the connection.

- P2M2HBVL12400B25 version: 24VDC / 0VDC on pins 2 & 5

**Diagnostic**



The Moduflex **IO-Link** module offers a local diagnostic through 4 LED's located on the visible top side, showing:

- IO-Link com status
- Module error
- Output error
- Auxiliary power

Additional useful diagnostic information can be read by the PLC through the network simplifying diagnostic and allowing predictive maintenance (all details in the user manual).

Most popular.

**Auxiliary power for safe supply**

The Moduflex **IO-Link** module is compatible with SAFE power source for valve control.

For more details, refer to next page.



For inventory, lead time, and kit lookup, visit [www.pdnplu.com](http://www.pdnplu.com)

D48a

**Parker Hannifin Corporation**  
 Pneumatic Division  
 Richland, Michigan  
[www.parker.com/pneumatics](http://www.parker.com/pneumatics)

**D**

Subbase & Manual Valves

H Series Micro

Moduflex Series

H Series ISO

Fieldbus Systems

DX ISOMAX Series

Valvair II Series



**IO-Link module connection and diagnostic functions**



**IO-Link module connection**

Standard male M12 – type A

Usage of standard manufactured cables available from your usual electrical supplier is recommended.

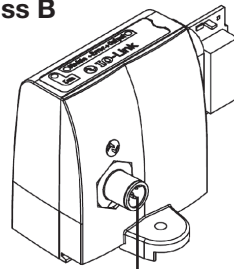
Note: Auxiliary power for solenoids can be wired allowing the user to turn outputs off while the communications remains on.

**Configuration**

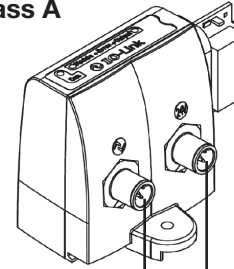
IODD file can be downloaded from IODD Finder or the Moduflex web site:

<https://ioddfinder.io-link.com>  
[www.parker.com/pdn/io-link](http://www.parker.com/pdn/io-link)

**Class B**



**Class A**



**Legend**

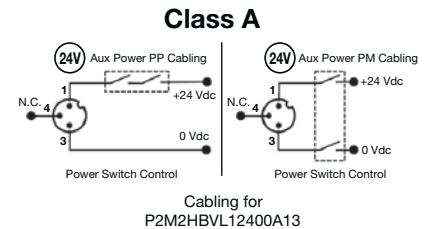
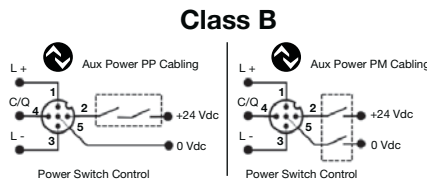
Symbol	Description
L+	IO-Link Power Supply "+"
L-	IO-Link Power Supply "-"
C/Q	IO-Link communication
Aux +	Auxilliary Power Supply 24 VDC
Aux -	Auxilliary Power Supply 0 VDC

M12 Pin's	Class A		
	3 Pin's		5 Pin's
	P2M...A13	P2M...A43	P2M...A42
1	Aux +	Not used	Not used
2	-	-	Aux -
3	Aux -	Aux -	Not used
4	n.c.	Aux +	Aux +
5	-	-	Not used

**Auxiliary Power Supply Compatibility**

The Moduflex IO-Link Module can be powered from a 24VDC auxilliary source in PP or PM mode as grounds are isolated.

For compatibility with a safe output pulsed module, please refer to user manual document available on [www.parker.com/pdn/io-link](http://www.parker.com/pdn/io-link)



**IO-Link module diagnostic functions**

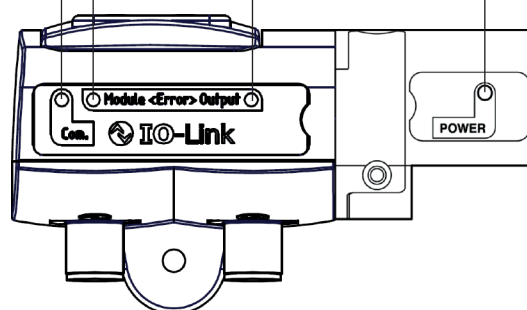
The Moduflex IO-Link module offers additional useful module status information:

- Solenoid overload or short circuit
- Auxiliary Voltage out of tolerance
- Cycle counter for each solenoid
- Module temperature

For more information on product technical information and module diagnostic functionalities, please refer to the User Manual available from the product web page:

[www.parker.com/pdn/io-link](http://www.parker.com/pdn/io-link)

COM Green LED			Module — Error Red LED			Error — Output Red LED			POWER Green LED		
LED Status	Description	Solving	LED Status	Description	Solving	LED Status	Description	Solving	LED Status	Description	Solving
OFF	IO-Link L+ / L- not powered	Check connection	OFF	Standard mode	NA	OFF	Standard mode	NA	OFF	AUX power failure	Check Auxiliary Power Supply
ON	IOL L+ / L- powered IO mode	Set IO-Link mode in IO-Link master	ON	24 VDC AUX power missing or any active malfunction	Check power supply or change module	ON	Any driver error (overload, over temperature, etc.)	Fix solenoid issue then acknowledge error	ON	Standard	NA
Blinking	IO-Link communication active	NA							Blinking	Aux Power is out of range, alarm level	Check Auxiliary Power Supply



D48b



For inventory, lead times, and kit lookup, visit [www.pdnplu.com](http://www.pdnplu.com)

**Parker Hannifin Corporation**  
 Pneumatic Division  
 Richland, Michigan  
[www.parker.com/pneumatics](http://www.parker.com/pneumatics)

**D**  
 Subbase & Manual Valves  
 H Series Micro  
 Moduflex Series  
 H Series ISO  
 Fieldbus Systems  
 DX ISOMAX Series  
 Valvair II Series

**Input Data**

One byte of diagnostic input data is transferred from Moduflex to the IO-Link Master.

**Process Input Data**

7	6	5	4	3	2	1	0
Output Driver SPI Error	Output Driver Channel Error	Polyfuse Tripped	Temperature Warning	SPI Error	AUX Voltage Error	AUX Voltage Warning	Acknowledge Required

**Output Data**

Three bytes of process data are received by Moduflex from the IO-Link Master for control of solenoids.

**Process Output Data (Byte 0)**

7	6	5	4	3	2	1	0
EV8	EV7	EV6	EV5	EV4	EV3	EV2	EV1

**Process Output Data (Byte 1)**

7	6	5	4	3	2	1	0
EV16	EV15	EV14	EV13	EV12	EV11	EV10	EV9

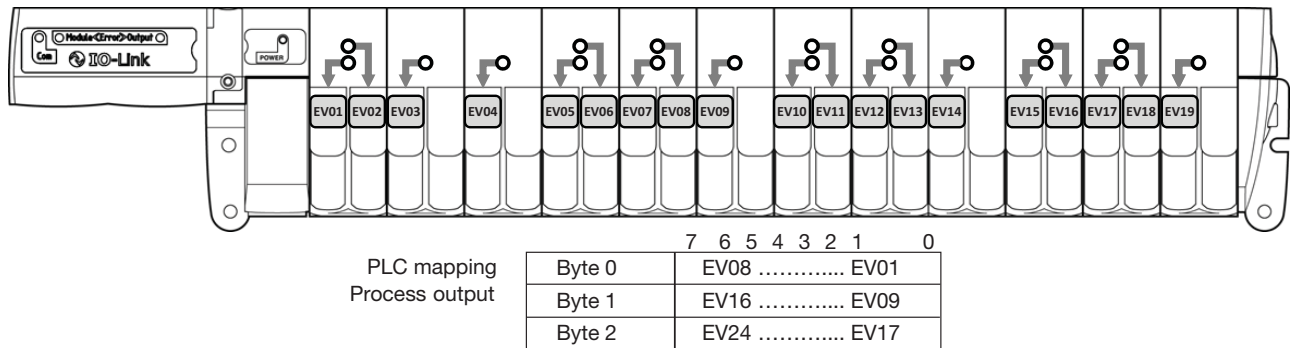
**Process Output Data (Byte 2)**

7	6	5	4	3	2	1	0
EV24	EV23	EV22	EV21	EV20	EV19	EV18	EV17

**Solenoid Pilots Addressing And Process Mapping**

**IO-Link Module addressing used with Moduflex Valve System**

The Moduflex IO-Link module used with Moduflex Valve System can handle up to 19 pilot solenoid valves. Addressing will be done as shown below.

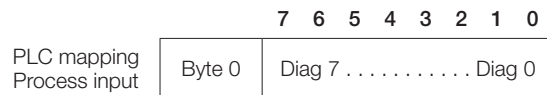


**IO-Link Module Electrical Specifications**

IO-Link Power Supply	According to IO-Link standard V1.1.2
Speed Communication	Com 2 – 38 kBd
Auxiliary Power Supply	20.4 VDC to 26.4 VDC
Current Limit per channel	150 mA
Max Current Limit	4 A
Polarity inversion	YES
Short Circuit Protection	YES
Operating Temperature	0°C to 55°C
Storage Temperature	-25°C to 70°C
Shock According to IEC	60068-2-27:2008
Vibration According to IEC	60068-2-6:2007
EMC According to IEC	61000-4-2 up to -4-6

**Network diagnostic through Process mapping:**

The Moduflex IO-Link module offers diagnostic data transmitted to the PLC through the master:



Diag bit	Error message	Detail
Diag 0.....	Fail-safe status .....	Acknowledgment required
Diag 1.....	Auxiliary voltage warning.....	Check auxiliary power
Diag 2.....	Auxiliary voltage failure.....	Check auxiliary power
Diag 3.....	Module failure .....	Module HS. must be replaced
Diag 4.....	Module over-temperature	
Diag 5.....	Module over-load	
Diag 6.....	Pilot Solenoid(s) short circuit .....	Solenoid must be replaced
Diag 7.....	Outputs stage failure	

For further details, refer to the User Manual: Can be downloaded from [www.parker.com/pdn/io-link](http://www.parker.com/pdn/io-link)



For inventory, lead time, and kit lookup, visit [www.pdnplu.com](http://www.pdnplu.com)

D48c

**Parker Hannifin Corporation**  
 Pneumatic Division  
 Richland, Michigan  
[www.parker.com/pneumatics](http://www.parker.com/pneumatics)

**D**

Subbase & Manual Valves

H Series Micro

Moduflex Series

H Series ISO

Fieldbus Systems

DX ISOMAX Series

Valvair II Series

**“V” Series Fieldbus Connections**

**Valve Island Electrical Head Modules for Bus Connections and Control**



**CANopen**



**INTERBUS-S**

**Device Bus Electrical Head Modules**

Electrical Module for 16 Outputs Max.  
 (V Series islands may have up to 16 solenoids)



**P2M2HBVP11600**

**Moduflex Communication Modules**

Bus protocol	Weight	Part number
Profibus DP	8.82	<b>P2M2HBVP21600</b>
DeviceNet	8.82	<b>P2M2HBVD21600</b>
CANopen	8.82	<b>P2M2HBVC21600</b>
InterBus-S	10.58	<b>P2M2HBVS11600</b>

**Fieldbus Accessories**

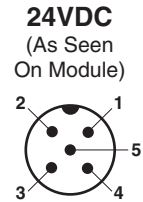
	Bus protocol	Connector type	Weight (oz)	Part number
Power supply female straight field wireable connector	Profibus DP / InterBus-S / DeviceNet / CANopen	M12 type A	0.88	<b>P8CS1205AA</b>
Line termination resistor	Profibus DP	M12 type B	0.88	<b>P8BPA00MB</b>
	DeviceNet / CANopen	M12 type A	0.88	<b>P8BPA00MA</b>

**Note:** Use standard cables and connectors for bus communications from your electrical supplier.

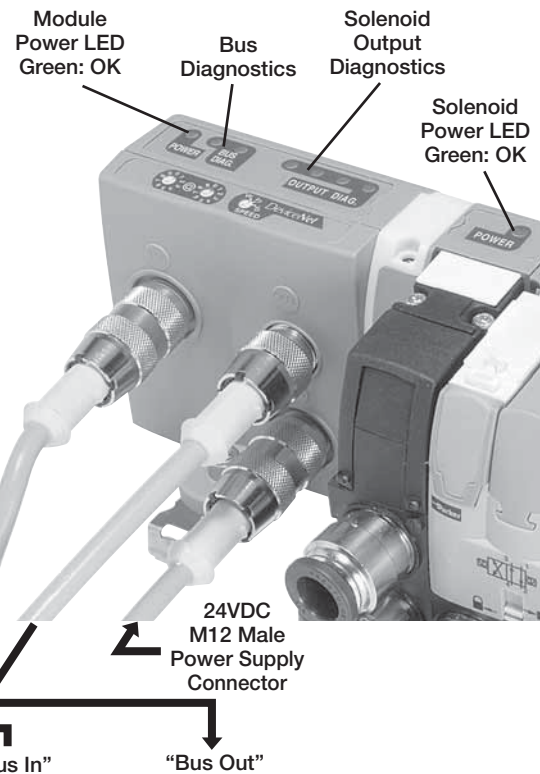
**M12 (Male) Power Supply Connector**

- 1 - 24VDC Module (Not Connected for DeviceNet and CANopen)
- 2 - Not Connected
- 3 - 0VDC Module and Solenoid
- 4 - 24VDC Solenoid
- 5 - Protected Earth (PE)

Profibus DP / DeviceNet / CANopen / InterBus-S



M12 Male Type A



**Connection**

All bus modules have an M12 male connector for power supply.

Connector on Moduflex Modules are labeled. Bus Connectors are labeled “Bus In” and “Bus Out” while, Power Supply Connections are labeled “24VDC”. Connect Fieldbus to “Bus In” and “Bus Out” and Power Supply to “24VDC”.

**Diagnostic**

The two “power” indicators shown on the illustrations provide visual indication of the module and solenoid supply status.

**Note:** Output power to the solenoids can be wired to allow the user to turn the outputs off while allowing communications to remain on. This can be done by placing the user's Emergency Stop switch or other hard-wired control contact between Pin 1 and Pin 4. If this feature is not required, Pin 1 and Pin 4 should be wired together.



For inventory, lead time, and kit lookup, visit [www.pdnplu.com](http://www.pdnplu.com)

**“V” Series Valvetronic™**  
**Device Bus Module: Connections, Addressing, Diagnostic**



**Bus Cable Connections**

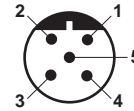
Profibus DP standard male and female type B M12 connectors.

Use of prefabricated cables available from your local electrical supplier is recommended.

Line termination P8BPA00MB, is necessary on the “bus out” connector of the last station.

This module incorporates an Autobaud detect feature, eliminating the need to set switches.

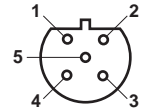
**Bus In**  
 (As Seen On Module)



M12 Male Type B

Pin Out	
1	+ 5V
2	Line A
3	0V
4	Line B
5	Shield

**Bus Out**  
 (As Seen On Module)



M12 Female Type B

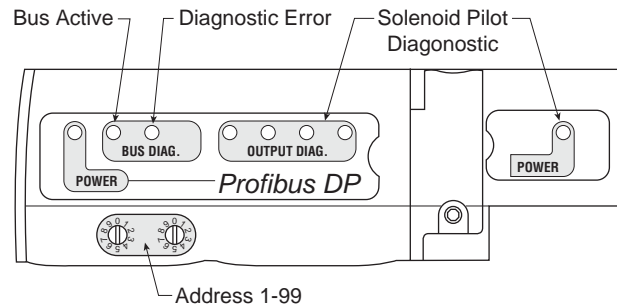
**Addressing**

Use the GSD file on web site.

The rotary switches enable configuration of the decimal address.

**Diagnostic**

Diagnostic according to the module dialog shown on the illustration.



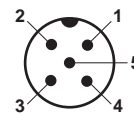
**Bus Cable Connections**

DeviceNet standard male and female type A M12 connectors.

Use of prefabricated cables available from your local electrical supplier is recommended.

Line termination P8BPA00MA, is necessary on the “bus out” connector of the last station.

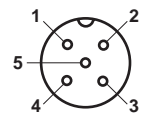
**Bus In**  
 (As Seen On Module)



M12 Male Type A

Pin Out	
1	Drain
2	24VDC
3	0VDC
4	CAN-H
5	CAN-L

**Bus Out**  
 (As Seen On Module)



M12 Female Type A

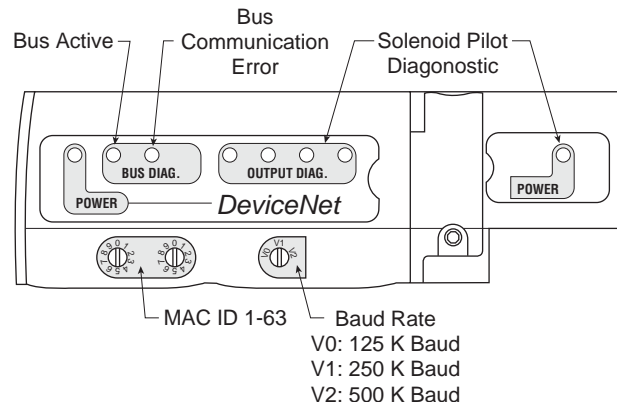
**Addressing**

Use the EDS file on web site.

The rotary switches enable configuration of the node address (MAC ID) and the baud rate.

**Diagnostic**

Diagnostic according to the module dialog shown on the illustration.



**D**  
 Subbase & Manual Valves  
 H Series Micro  
 Moduflex Series  
 H Series ISO  
 Fieldbus Systems  
 DX ISOMAX Series  
 Valvair II Series



For inventory, lead times, and kit lookup, visit [www.pdnplu.com](http://www.pdnplu.com)

# CANopen

## Bus Cable Connections

CANopen standard male and female type A M12 connectors.

Use of prefabricated cables available from your local electrical supplier is recommended.

Line termination P8BPA00MA, is necessary on the “bus out” connector of the last station.

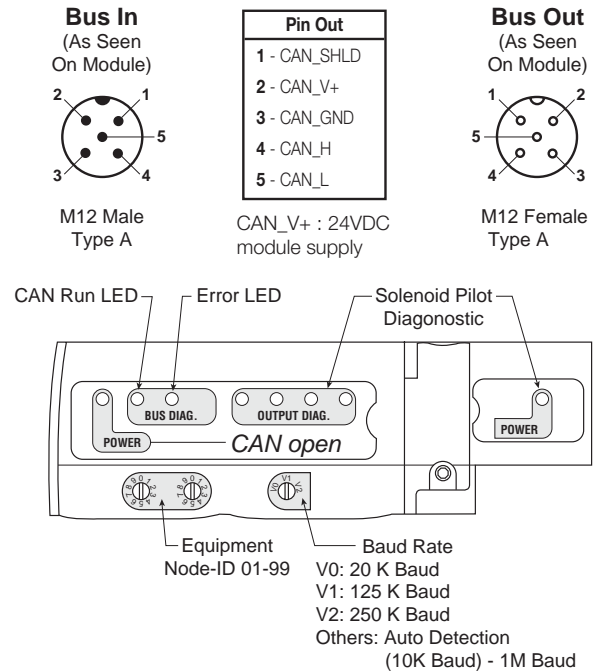
## Addressing

Use the EDS file on web site.

The rotary switches enable configuration of the decimal address.

## Diagnostic

Diagnostic according to the module dialog shown on the illustration.



# INTERBUS-S

## Bus Cable Connections

The M23 connectors conform to “Interbus remote bus”.

Use of prefabricated cables available from your usual electrical supplier is recommended.

This module operates at 500 kbps.

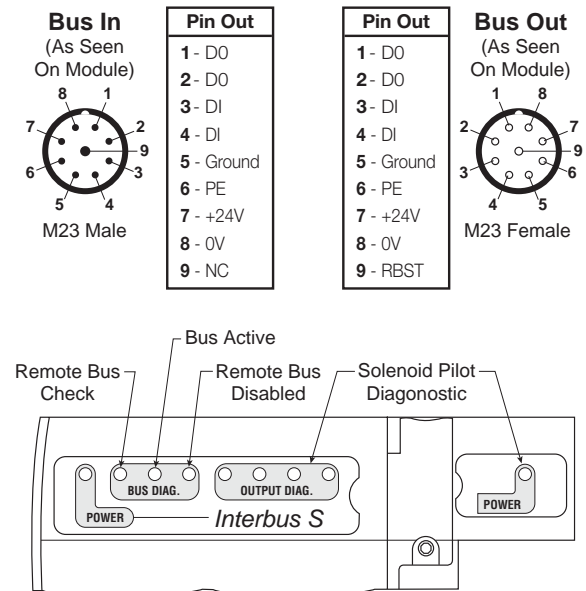
## Addressing

InterBus-S is self addressing; therefore, it does not need any software or hardware configuration.

## Diagnostic

Diagnostic according to the module dialog shown on the illustration.

This diagnostic conforms to the InterBus-S standard.



**Note:** For more details, please consult “Interbus remote bus” documentation.



For inventory, lead time, and kit lookup, visit [www.pdnplu.com](http://www.pdnplu.com)

**"V" Series Bus Connections Modules**

**Valve Island Electrical Head Modules for Bus Connections and Control**



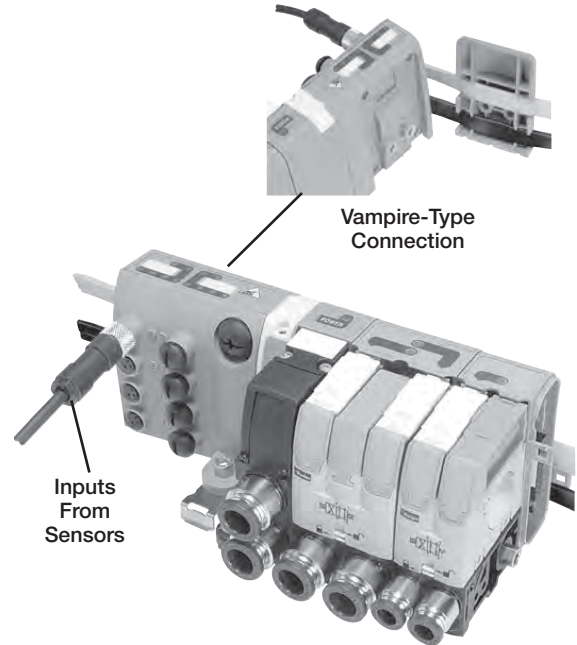
P2M2HBVA10808A



P2M2HBVA10808B



P2M2HBVA10800



**Standard AS-i Protocol (up to 31 nodes)  
 Electrical Head Modules**

Electrical Module for 8 Solenoids Max.  
 (V Series islands may have up to 8 solenoids)  
 (2 nodes per module, 4 inputs, 4 solenoids per node)

Input / output capability	Weight (oz)	Part number
0 inputs and 8 solenoid outputs	5.29	<b>P2M2HBVA10800</b>
8 (PNP) inputs on eight (M8) connectors and 8 solenoid outputs	7.05	<b>P2M2HBVA10808A</b>
8 (PNP) inputs on four (M12) connectors and 8 solenoid outputs	7.05	<b>P2M2HBVA10808B</b>

**AS-i Version 2.1 Protocol (up to 62 nodes)  
 Electrical Head Modules**

Electrical Module for 6 Solenoids Max.  
 (V Series islands may have up to 6 solenoids)  
 (2 nodes per module, 4 inputs, 3 solenoids per node)

Input / output capability	Weight (oz)	Part number
0 inputs and 6 solenoid outputs	5.29	<b>P2M2HBVA20600</b>
8 (PNP) inputs on eight (M8) connectors and 6 solenoid outputs	7.05	<b>P2M2HBVA20608A</b>
8 (PNP) inputs on four (M12) connectors and 6 solenoid outputs	7.05	<b>P2M2HBVA20608B</b>

**AS-i Bus Accessories**

**M12 Cable with Jack for Addressing**

Length	Weight (oz)	Part Number
1 m	3.53	<b>P8LS12JACK</b>

Most popular.

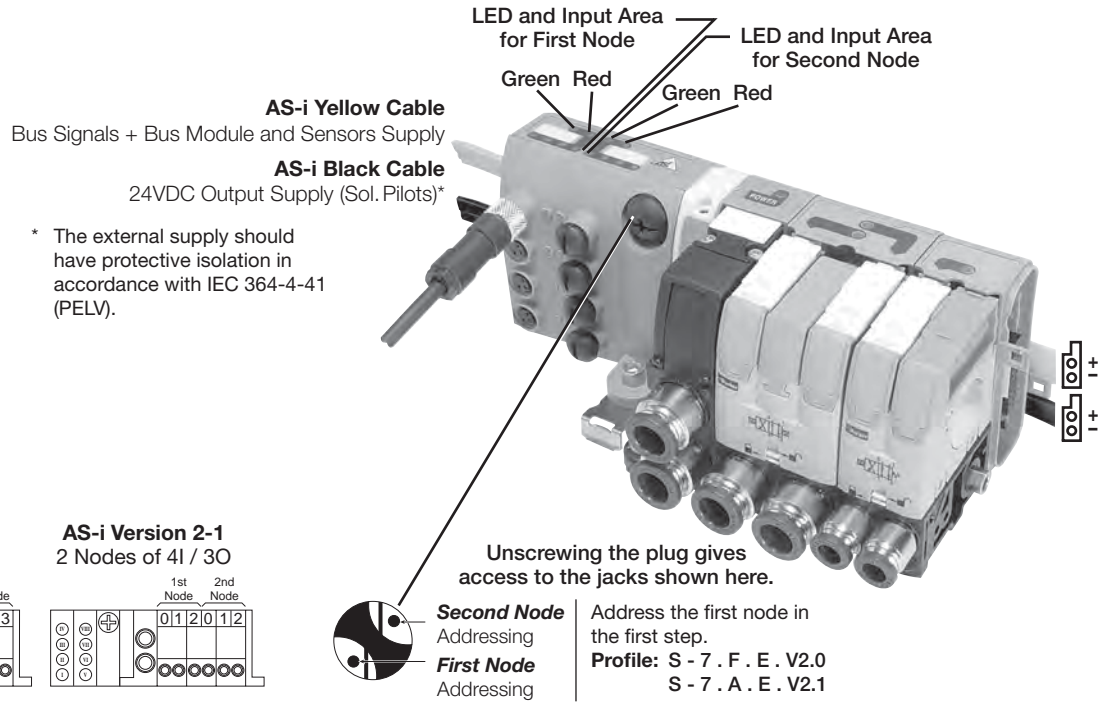
**D**  
 Subbase & Manual Valves  
 H Series Micro  
 Moduflex Series  
 H Series ISO  
 Fieldbus Systems  
 DX ISOMAX Series  
 Valvair II Series



For inventory, lead times, and kit lookup, visit [www.pdnplu.com](http://www.pdnplu.com)



**AS-i Bus Communication Module: Addressing, Diagnostic, Input Wiring**  
**Bus Addressing, First and Second Node**



**AS-i Yellow Cable**  
 Bus Signals + Bus Module and Sensors Supply

**AS-i Black Cable**  
 24VDC Output Supply (Sol. Pilots)\*

\* The external supply should have protective isolation in accordance with IEC 364-4-41 (PELV).

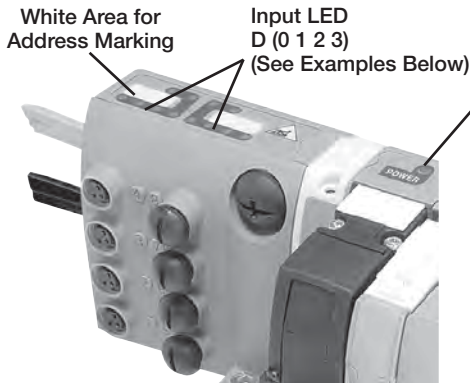
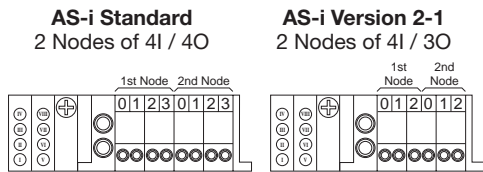
LED and Input Area for First Node  
 Green Red  
 LED and Input Area for Second Node  
 Green Red

Unscrewing the plug gives access to the jacks shown here.

**Second Node**  
 Addressing

**First Node**  
 Addressing

Profile: S - 7 . F . E . V2.0  
 S - 7 . A . E . V2.1



**Bus Diagnostic**

"Power" LED State		Off	Green	Red	
Power Supply		Sol. Pilot Supply	Normal Operation	Solenoid Overload	
First Node LEDs State		Second Node LEDs State		System Condition	
Green LED	Red LED	Green LED	Red LED		
★	○	★	○	Normal Operation	
○	○	○	○	No Module + Sensor Supply	
○	⚙	○	⚙	Input Overload	
○	★	○	⚙	No AS-i Communication	
⚙	★	○	⚙	Address First Node = 0	
★	○	⚙	★	Address Second Node = 0	

★ON ○OFF ⚙BLINK

**Input Wiring**

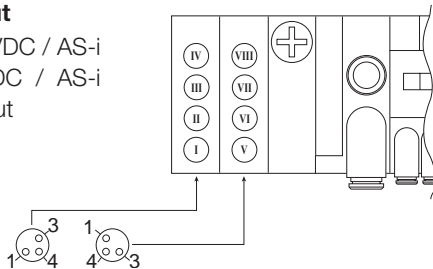
Physical Input (I, II, III, IV) = D (0 1 2 3) First Node,  
 Physical Input (V, VI, VII, VIII) = D (0 1 2 3) Second Node.

*Examples:* Physical Input III = Logical Input 6.2,  
 Physical Input V = Logical Input 7.0.

**M8 Female Connectors**

**Pin Out**

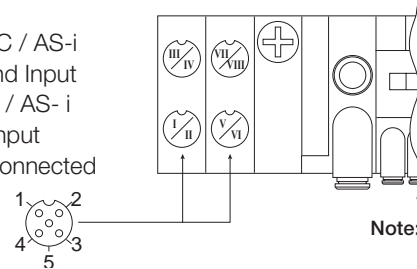
- 1 - 24VDC / AS-i
- 3 - 0VDC / AS-i
- 4 - Input



**M12 Female Connectors**

**Pin Out**

- 1 - 24VDC / AS-i
- 2 - Second Input
- 3 - 0VDC / AS-i
- 4 - First Input
- 5 - Not Connected

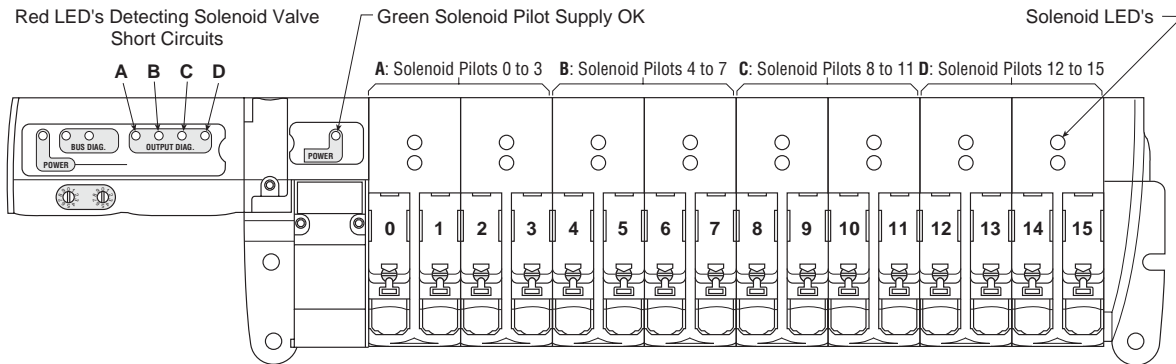


**Note:** With only one node, the inputs II and IV are connected to the connections on the right.



For inventory, lead time, and kit lookup, visit [www.pdnplu.com](http://www.pdnplu.com)

**Solenoid Pilot Diagnostic Common to All Device Bus Modules**



Inside the communication module, solenoid valve control is protected against short-circuits with the following visual indication provided:

- The red LEDs with code, shown above, detect solenoid valve short-circuits.
- Supply is OK when the solenoid pilot power supply indicator is green.

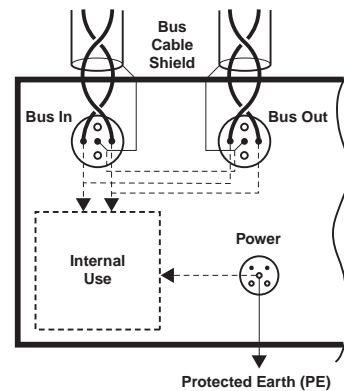
**D**  
 Subbase & Manual Valves  
 H Series Micro  
 Moduflex Series  
 H Series ISO  
 Fieldbus Systems  
 DX ISOMAX Series  
 Valvair II Series

**Bus Cable Protection**

**Shield Connections for Profibus DP, DeviceNet and CANopen**

To provide protection against electro-magnetic interferences, the bus cables are shielded. The “bus in” and “bus out” connectors each include a pin for connecting the cable shield. It is safer to connect the shield to the protected earth (PE) at both ends of the bus. Within the communication module, provision is made to enable shield continuity by connecting the two shield pins.

The protected earth must be connected locally on each module for CE accordance.



For inventory, lead times, and kit lookup, visit [www.pdnplu.com](http://www.pdnplu.com)

**Serial Bus Specifications**

<b>All Buses</b>	EMC / CE Mark	According to EN 61 000-6-2	EN 50081-2		
	AS-i Line	According to EN 50295			
<b>AS-i Bus</b>	Solenoid Pilot Voltage	24VDC			
	Module Consumption	max. 70 mA (2 nodes)			
	Max. Supply for All Inputs	240 mA (including internal input consumption)			
	Internal Input Consump.	9 mA for each active input			
	Inputs	According to IEC 1131-2 class 2			
	Certification	These products have been developed according to the association complete specification (v.2.11) and to the slave profiles S-7.FE or S-B.FE			
	Bus Line	According to each bus specification			
<b>Device Bus</b>	Module Voltage	20 to 30VDC			
	Solenoid Pilot Voltage	24VDC			
	Module Consumption	Profibus DP max. 1.5W	DeviceNet / CANopen max. 1.5W	InterBus-S max. 2W	
	Outputs	Overload protection			
	Certification	<b>DeviceNet:</b> Compliant to Composite Test Revision 17, Test Suite: M002			
		<b>Profibus-DP:</b> Compliant to Test Specifications for Profibus DP Slaves, Version 2.0, February 2000, based on EN 50170-2 at Siemens AG in Furth.			
		<b>InterBus-S:</b> This product has passed the relevant tests in accordance with the Interbus conformance requirements Certified No. 385.			

**I/O Tables Common to All Device Bus Modules**

**Input Data Table**

Byte	Bit 0	Bit 1	Bit 2	Bit 3	Bit 4	Bit 5	Bit 6	Bit 7
0	Discrete Input 0 (Diagnostic LED 0-3)	Discrete Input 1 (Diagnostic LED 4-7)	Discrete Input 2 (Diagnostic LED 8-11)	Discrete Input 3 (Diagnostic LED 12-15)	—	—	—	—

**Output Data Table**

Byte	Bit 0	Bit 1	Bit 2	Bit 3	Bit 4	Bit 5	Bit 6	Bit 7
0	Discrete Output 0	Discrete Output 1	Discrete Output 2	Discrete Output 3	Discrete Output 4	Discrete Output 5	Discrete Output 6	Discrete Output 7
1	Discrete Output 8	Discrete Output 9	Discrete Output 10	Discrete Output 11	Discrete Output 12	Discrete Output 13	Discrete Output 14	Discrete Output 15

**D**

Subbase & Manual Valves

H Series Micro

Moduflex Series

H Series ISO

Fieldbus Systems

DX ISOMAX Series

Valvair II Series










For inventory, lead time, and kit lookup, visit [www.pdnplu.com](http://www.pdnplu.com)

D55

**Parker Hannifin Corporation**  
 Pneumatic Division  
 Richland, Michigan  
[www.parker.com/pneumatics](http://www.parker.com/pneumatics)

**Peripheral Modules**

Accessories	Description	Option	Part number		
			Size 1	Size 2	
	Pressure regulator without gauge	0 to 30 PSI	<b>P2M1PXST</b>	<b>P2M2PXST</b>	
		0 to 60 PSI	<b>P2M1PXSL</b>	<b>P2M2PXSL</b>	
		0 to 120 PSI	<b>P2M1PXSN</b>	<b>P2M2PXSN</b>	
	Pressure regulator with gauge	0 to 30 PSI	<b>P2M1PXSR</b>	<b>P2M2PXSR</b>	
		0 to 60 PSI	<b>P2M1PXSM</b>	<b>P2M2PXSM</b>	
		0 to 120 PSI	<b>P2M1PXSG</b>	<b>P2M2PXSG</b>	
	Gauge	0 to 30 PSI	<b>P2M1K0GT</b>	<b>P2M1K0GT</b>	
		0 to 60 PSI	<b>P2M1K0GL</b>	<b>P2M1K0GL</b>	
		0 to 120 PSI	<b>P2M1K0GN</b>	<b>P2M1K0GN</b>	
	Push to connect fitting	5/32" or 4mm OD tube	Elbow	<b>CMD04-1</b>	
			Straight	<b>FMD04-1</b>	
		1/4" OD tube	Elbow	<b>CMD07-1B</b>	<b>CMD07-2B</b>
			Straight	<b>FMD07-1B</b>	<b>FMD07-2B</b>
		3/8" OD tube	Elbow		<b>CMD09-2B</b>
			Straight		<b>FMD09-2B</b>
		1/2" OD tube	Straight		<b>FMD13-2B</b>
			6mm OD tube	Elbow	<b>CMD06-1</b>
		8mm OD tube	Straight	<b>FMD06-1</b>	<b>FMD06-2</b>
			Elbow		<b>CMD08-2</b>
		10mm OD tube	Straight		<b>FMD08-2</b>
			Elbow		<b>CMD10-2</b>
12mm OD tube	Straight		<b>FMD10-2</b>		
	Elbow		<b>CMD12-2</b>		
	Double male union	Connecting peripheral modules		<b>HMDXX1</b>	<b>HMDXX2</b>
				<b>MMDVA1</b>	<b>MMDVA2</b>
	Muffler for vacuum exhaust port			<b>PMDYY1</b>	<b>PMDYY2</b>
	Plug				

Note: 85 Durometer minimum for pneumatic connectors.

**D**

**Subbase & Manual Valves**

H Series Micro

Moduflex Series

H Series ISO

Fieldbus Systems

DX ISOMAX Series

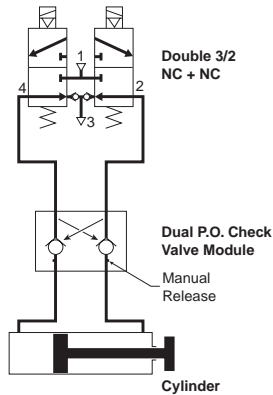
Valvair II Series



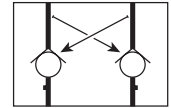
For inventory, lead times, and kit lookup, visit [www.pdnplu.com](http://www.pdnplu.com)

**Dual P.O. Check Valve**

Combined with a double 3/2 NC + NC valve, this module will block both flows and stop cylinder movement as soon as the valve's outputs are both exhausted. Better than a 3-Position valve, it provides more precise positioning when fitted close to the cylinder. Standard with manual release buttons.



P2M1PXCA



**Application**

At the outputs of a double 3/2 NC + NC valve, the dual P.O. check valve module achieves efficient and stable cylinder positioning. As soon as both lines are exhausted by the main control valve, the two internally piloted check valves close tight. The cylinder is then stabilized.

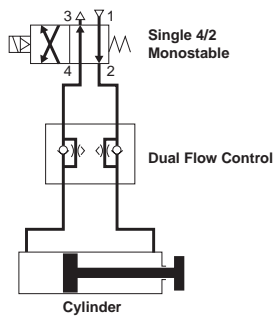
The manual pressure releases may then eventually be used for an adequate machine positioning.

**Dual P.O. Check Valve**

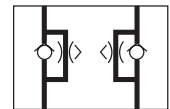
	Part number
Size 1	P2M1PXCA
Size 2	P2M2PXCA

**Dual Flow Control**

By controlling the exhaust flows of a double-acting cylinder, this module can adjust both speeds — extend and retract. It may be plugged into the valve module output ports or mounted close to the cylinder in its in-line version.



P2M1PXFA



**Application**

On a double-acting cylinder, extend and retract speeds are adjusted separately by control of air flow exhaust. The control becomes more precise when the flow adjustment is close to the cylinder. The examples show different solutions which are dependent upon the valve-to-cylinder distance and accessibility to the cylinder

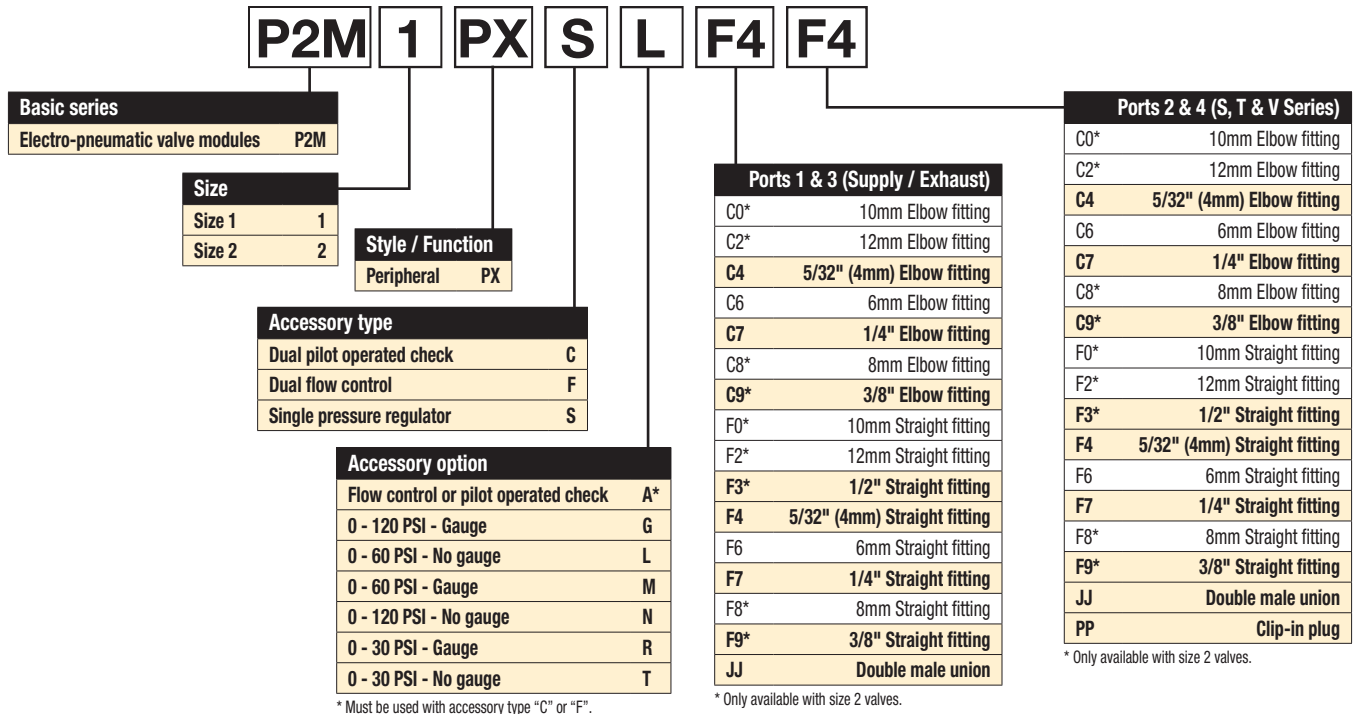
**Dual Flow Control Module**

	Weight	Part number
Size 1	1.06 oz	P2M1PXFA
Size 2	1.59 oz	P2M2PXFA



For inventory, lead time, and kit lookup, visit [www.pdnplu.com](http://www.pdnplu.com)

**“P” Series Peripheral Modules Model Number Index**  
*(Complete with Pneumatic Connectors)*



**D**  
 Subbase & Manual Valves  
 H Series Micro  
 Moduflex Series  
 H Series ISO  
 Fieldbus Systems  
 DX ISOMAX Series  
 Valvair II Series

**Regulator with Gauge**



**How to Order - Example:** Size 1, Regulator with gauge, 1/4" OD straight fittings.

Line item	Quantity	Part number	Description
<b>Complete Peripheral Module</b>			
1	1	<b>P2M1PXSGF7F7</b>	Size 1, Regulator with 0-160 PSI Gauge, 1/4" OD Straight Port Fittings in port 1, 2, 3, 4
<b>Components</b>			
1	1	<b>P2M1PXSG</b>	Size 1, Regulator with 0-160 PSI Gauge
2	4	<b>FMD07-1B</b>	Size 1-1/4" OD Tube Push-In Connector

**Flow Control with Fittings**



**How to Order - Example:** Size 1, Dual Flow Control, 1/4" OD straight fittings.

Line item	Quantity	Part number	Description
<b>Complete Peripheral Module</b>			
1	1	<b>P2M1PXFAF7F7</b>	Size 1, Dual Flow Control, 1/4" OD Straight Port Fittings in Port 1, 2, 3, 4
<b>Components</b>			
1	1	<b>P2M1PXFA</b>	Size 1, Dual Flow Control
2	4	<b>FMD07-1B</b>	Size 1-1/4" OD Tube Push-In Connector



For inventory, lead times, and kit lookup, visit [www.pdnplu.com](http://www.pdnplu.com)



### Vacuum Generator Applications

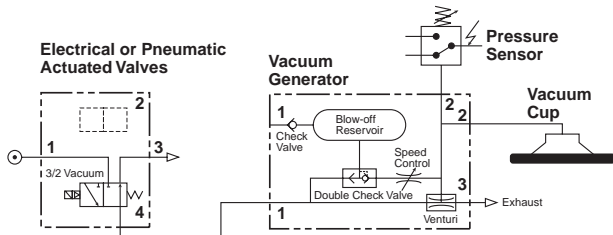
Depending on the application requirements, this vacuum generator may be controlled by single or by a dual 3/2 Moduflex valve. The Vacuum Generator has an integrated blow-off chamber that helps destroy the degree of vacuum. Blow-off can be increased with the addition of a control air input to the blow-off port on the vacuum module. A Ø6 mm port is available for an optional plug-in vacuum sensor for delivering a vacuum feedback signal.



Description	Weight	Size
Vacuum Generator	.88 oz	P2M1PXVA

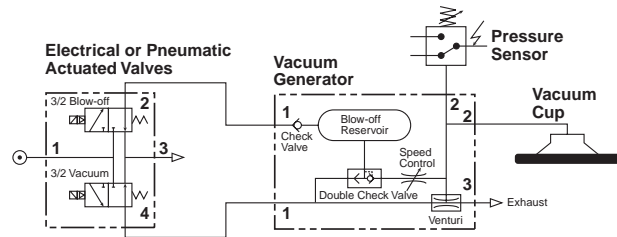
#### Single 3/2 NC Air Control Valve

The 3/2 valve delivers the air supply to generate vacuum through the venturi. It also pressurizes the integrated blow-off chamber. When the 3/2 valve cuts-off the air supply, this chamber is automatically exhausted into the vacuum channel in order to speed-up the part release. In this type of application, it is preferred to have the vacuum generator mounted away from the control valve.



#### Dual 3/2 3/2 Valve Control

One 3/2 valve controls air supply for vacuum. The other 3/2 valve will generate an additional blow-off that may prove necessary to obtain quick part release from large vacuum pads. The effect of the blow-off can be controlled with an adjustable screw. In this type of circuit, the Vacuum Generator can be mounted directly to the valve by using Double Male Unions or as a stand alone item away from the control valve.



#### Vacuum Flow (SCFM)

Nozzle Diameter	inHg										
	0	3	6	9	12	15	18	21	24	27	30
P2M1PXVA	0.84	0.76	0.67	0.55	0.42	0.30	0.18	0.06	—	—	—

#### Evacuation Time

Series / Nozzle Diameter	Air supply pressure	Air consumption	Evacuation time in sec / ft <sup>3</sup> * to reach different vacuum levels (inHg)								
	PSI	SCFM	3	6	9	12	15	18	21	24	27
P2M1PXVA	70	1.60	5.6	14.2	22.0	42.4	62.3	85.0	116	198	—

\* 1 ft<sup>3</sup> = 28.31 liters

#### Vacuum Generator Model Number Index

**P2M1PXVA F7 A F7 C MA**

<b>Basic configuration</b>	Basic unit	P2M1PXVA
----------------------------	------------	----------

#1 Pressure port		
5/32" (4mm) elbow	C4	
6mm elbow	C6	
1/4" Elbow	C7	
Joint fitting	JJ	
5/32" (4mm) straight	F4	
6mm straight	F6	
1/4" Straight	F7	

Port #1 configuration		
Fitting in pressure port and blow-off port	A	
Fitting in pressure port and blow-off port plugged*	B	

#2 Sensor port		
A	6mm Plug	
B	Plug	
K	1/4" Straight	
L	1/4" Elbow	
M	6mm Elbow	

#2 Vacuum port		
C4	5/32" (4mm) Elbow	
C6	6mm Elbow	
C7	1/4" Elbow	
F4	5/32" (4mm) Straight	
F6	6mm Straight	
F7	1/4" Straight	

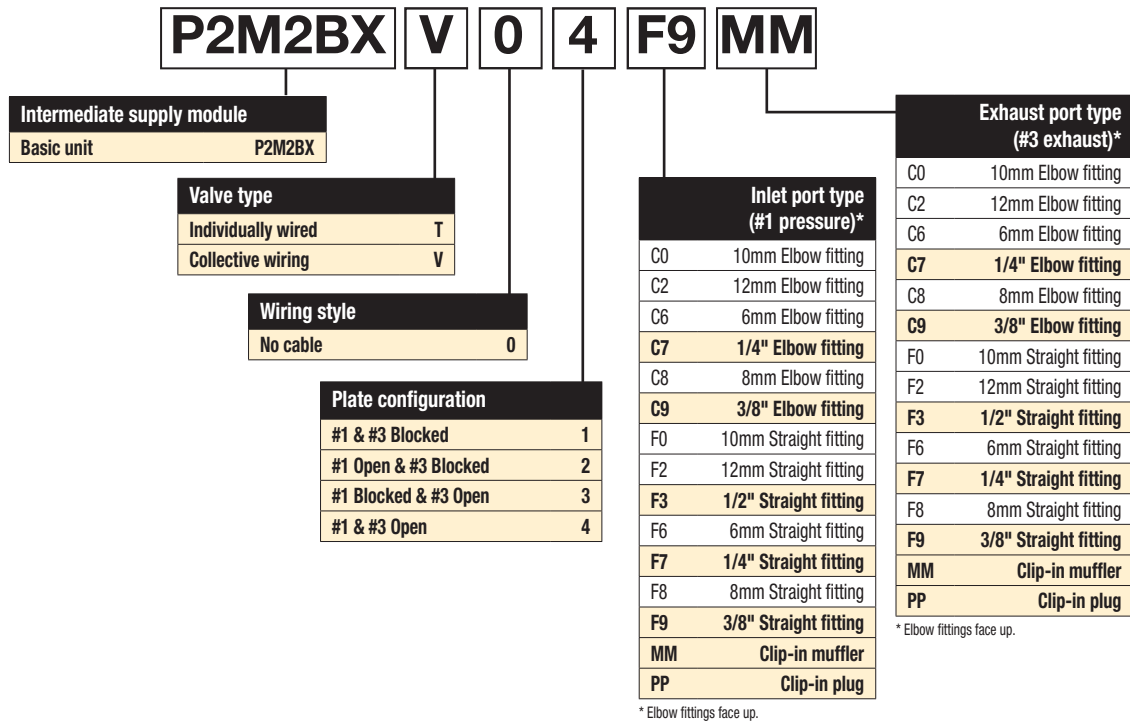
#3 Exhaust port		
C4	5/32" (4mm) Elbow	
C6	6mm Elbow	
C7	1/4" Elbow	
F4	5/32" (4mm) Straight	
F6	6mm Straight	
F7	1/4" Straight	
MA	Muffler	

\* Can not be directly mounting to valve.



For inventory, lead time, and kit lookup, visit [www.pdnplu.com](http://www.pdnplu.com)

Intermediate Supply Module Model Number Index



**D**  
 Subbase & Manual Valves  
 H Series Micro  
 Moduflex Series  
 H Series ISO  
 Fieldbus Systems  
 DX ISOMAX Series  
 Valvair II Series

Plate Configuration



**#1 & #3 Blocked**

#1 Port connected to valves on the right only. Left is blocked.  
#3 Port connected to valves on the right only. Left is blocked.



**#1 Open, #3 Blocked**

#1 Port connected to valves on the right and the left.  
#3 Port connected to valves on the right only. Left is blocked.



**#1 Blocked, #3 Open**

#1 Port connected to valves on the right only. Left is blocked.  
#3 Port connected to valves on the right and the left.



**#1 & #3 Open**

#1 Port connected to valves on the right and the left.  
#3 Port connected to valves on the right and the left.



For inventory, lead times, and kit lookup, visit [www.pdnplu.com](http://www.pdnplu.com)

**Solenoid Pilot 24VDC**

Description	Part number
Solenoid pilot (without plug-in electrical connector)	<b>P2D8V32C5</b>
Air pilot with 5/32" (4mm) tube fitting	<b>P2M2K0PA</b>
Solenoid pilot (without clip connector)	<b>P2D2W3226C5</b>



P2D2W3226C5



P2D8V32C5



P2M2K0PA

**Size 1 Valve  
 Without Solenoid Pilot  
 and Without Subbase  
 4-way / 2-position / Single Valve**



P2M1X4EE

Solenoid	Part number
Single solenoid (Monostable)	<b>P2M1X4ES</b>
Double solenoid (Bistable)	<b>P2M1X4EE</b>

**4-way / 2-position / Dual Valve**

Solenoid	Part number
Solenoid spring with exhaust check	<b>P2M1XJEE</b>

**3-way / 2-position / Dual Valve**

Solenoid	Part number
Double solenoid NC + NC with exhaust check	<b>P2M1XDDE</b>
Double solenoid NO + NO with exhaust check	<b>P2M1XCEE</b>
Double solenoid NC + NO with exhaust check	<b>P2M1XEEE</b>
Single solenoid NC with exhaust check	<b>P2M1X3ES</b>

**Set of Maintenance Parts**

Description	Part number
Clips Set of 10 clips: 6 for size 1 valves, 2 for size 2 valves, 2 for end plate and intermediate modules	<b>P2M2K0CA</b>
Seals Set of 10 seals: 3 for manifold to manifold seals, 3 under solenoid pilot seals, 4 under valve seals (two size 1 seals, two size 2 seals)	<b>P2M2K0JA</b>
Forks Set of 10 isolation forks for solenoid pilot manual override	<b>P2M2K0FA</b>

**Size 2 Valve  
 Without Solenoid Pilot  
 and Without Subbase  
 4-way / 2-position / Dual Valve**

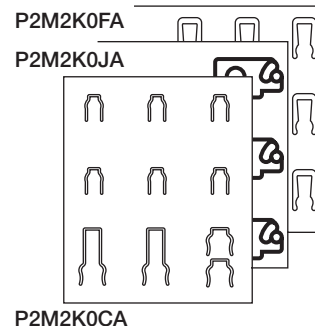


P2M2X4EE

Solenoid	Part number
Single solenoid (Monostable)	<b>P2M2X4ES</b>
Double solenoid (Bistable)	<b>P2M2X4EE</b>

**3-way / 2-position / Dual Valve**

Solenoid	Part number
Double solenoid NC + NC with exhaust check	<b>P2M2XDDE</b>
Double solenoid NO + NO with exhaust check	<b>P2M2XCEE</b>
Double solenoid NC + NO with exhaust check	<b>P2M2XEEE</b>
Single solenoid NC with exhaust check	<b>P2M2X3ES</b>



For inventory, lead time, and kit lookup, visit [www.pdnplu.com](http://www.pdnplu.com)

D61

**Parker Hannifin Corporation**  
 Pneumatic Division  
 Richland, Michigan  
[www.parker.com/pneumatics](http://www.parker.com/pneumatics)

**D**

Subbase & Manual Valves

H Series Micro

Moduflex Series

H Series ISO

Fieldbus Systems

DX ISOMAX Series

Valvair II Series

**Moduflex Add-A-Fold Assembly Model Number Index**  
*(Complete with Pneumatic and Electrical Connectors)*

**How To Order Plug-in Add-A-Fold Assemblies**

1. List Add-A-Fold Assembly call out. This automatically includes the end plate kit assembly.
2. List valves and manifolds. List left to right, LOOKING AT THE CYLINDER PORTS on the manifold.

**P2MA V 0 1 C9 C9 ##**

Moduflex island assembly	
Add-A-Fold	P2MA*

\*Includes pneumatic H & T end plate kit.

Style	
Individually wired	T
Collective wiring	V*

\* Includes 20-pin multi-connector or 25-pin, D-sub electrical head module.

Wiring / Bus protocol	
No cable (20-pin or multi-connector T series)	0 †
2 Meter cable (20-pin)	2
5 Meter cable (20-pin)	5
9 Meter cable (20-pin)	9
Bus	
No cable (25-pin, D-sub)	D
3 Meter cable (25-pin, D-sub)	F

\* Order bus module as a separate line item.

† Default to option "0" for T series.

Pilot source	
Internal supply / Internal exhaust	1
Internal supply / External exhaust	2
External supply / Internal exhaust	3
External supply / External exhaust	4

Number of stations <sup>f</sup>	
01 - 19*	V-Type
01 - 30	T-Type

\* Max. number of addresses for V type is 19. Single solenoid valves equal one address. Double solenoid valves equal two addresses. Maximum address may depend upon choice of bus protocol.

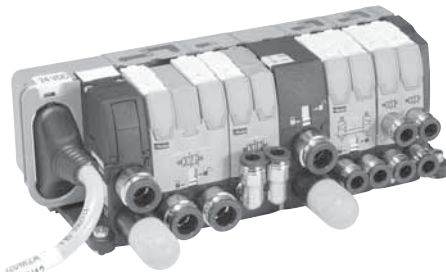
† Intermediate modules are considered stations, but do not count against maximum number of addresses for manifold.

Exhaust port type (#3 Exhaust)*	
C0	10mm Elbow fitting
C2	12mm Elbow fitting
C6	6mm Elbow fitting
<b>C7</b>	<b>1/4" Elbow fitting</b>
C8	8mm Elbow fitting
<b>C9</b>	<b>3/8" Elbow fitting</b>
F0	10mm Straight fitting
F2	12mm Straight fitting
<b>F3</b>	<b>1/2" Straight fitting</b>
F6	6mm Straight fitting
<b>F7</b>	<b>1/4" Straight fitting</b>
F8	8mm Straight fitting
<b>F9</b>	<b>3/8" Straight fitting</b>
MM	Clip-in muffler
PP	Clip-in plug

\* Elbow fittings face up.

Inlet port type (#1 pressure)*	
C0	10mm Elbow fitting
C2	12mm Elbow fitting
C6	6mm Elbow fitting
<b>C7</b>	<b>1/4" Elbow fitting</b>
C8	8mm Elbow fitting
<b>C9</b>	<b>3/8" Elbow fitting</b>
F0	10mm Straight fitting
F2	12mm Straight fitting
<b>F3</b>	<b>1/2" Straight fitting</b>
F6	6mm Straight fitting
<b>F7</b>	<b>1/4" Straight fitting</b>
F8	8mm Straight fitting
<b>F9</b>	<b>3/8" Straight fitting</b>
MM	Clip-in muffler
PP	Clip-in plug

\* Elbow fittings face up.



"V" Series with 20-pin Connector



"V" Series with Field Bus Connection

**D**  
 Subbase & Manual Valves  
 H Series Micro  
 Moduflex Series  
 H Series ISO  
 Fieldbus Systems  
 DX ISOMAX Series  
 Valvair II Series



For inventory, lead times, and kit lookup, visit [www.pdnplu.com](http://www.pdnplu.com)

**How to Order -**

**Example:** Application requires V Series valves with 20-Pin, D-Sub and 2 Meter cable. Manifold to include (1) Size 2, 4/2 Double Solenoid Valve - 3/8" OD fitting, (1) Size 1, 4/2 Single Solenoid Valve - 1/4" OD Elbow Fitting, Intermediate Module - 3/8" OD Fitting with Exhaust Muffler, Port 1 and 3 Blocked, (1) Size 1, Dual 3/2 NC Valve and (1) Size 1, 4-Way Double Solenoid Valve both with 1/4" OD Straight Fittings. Includes 3/8 OD Inlet Fitting and Exhaust Muffler.

Line item	Quantity	Part number	Description
<b>Complete Manifold Assembly</b>			
1	1	<b>P2MAV21F9MM05</b>	Moduflex Island Assembly, Pneumatic Head and Tail Module Set, Internal Pilot Supply, Internal Pilot Exhaust, 3/8" Straight Fitting Port 1, Port 3 Muffler.
2	1	<b>P2M2V4EE2CV00F9</b>	Size 2, Double Solenoid, 4/2, 3/8" Straight Pneumatic Connectors.
3	1	<b>P2M1V4ES2CV00C7</b>	Size 1, Single Solenoid, 1/4" Elbow Pneumatic Connectors.
4	1	<b>P2M2BXV0A1F9MM</b>	Intermediate Module 3/8" Straight Fitting with Exhaust Muffler
5	1	<b>P2M1VDEE2CV00C7</b>	Size 1, Dual 3/2 NC + NC, 1/4" Elbow Pneumatic Connectors.
6	2	<b>P2M1VJEE2CV00F7</b>	Size 1, Dual 4/2, 1/4" Straight Pneumatic Connectors.

**Components**

1	1	<b>P2M2HXT01</b>	Pneumatic Head and Tail Module Set
2	1	<b>P2M2HEV0A</b>	20-Pin, Multi-Connector Electrical Head Module
3	1	<b>P8LMH20M2A</b>	2 Meter, 20-Pin Cable
4	1	<b>P2M2V4EE2CV</b>	Size 2, V Series Island Valve Module, Double Solenoid, 4-Way
5	1	<b>P2M1V4ES2CV</b>	Size 1, V Series Island Valve Module, Single Solenoid, 4-Way
6	1	<b>P2M2BXV0A</b>	Intermediate Module
7	1	<b>P2M1VGEE2CV</b>	Size 1, V Series Island Valve Module, Dual 3/2 NC + NC
8	2	<b>P2M1VJEE2CV</b>	Size 1, V Series Island Valve Module, Dual 4/2
9	2	<b>CMD07-1B</b>	Size 1, 1/4" OD Tube Elbow Push-in Connector
10	6	<b>FMD07-1B</b>	Size 1, 1/4" OD Tube Straight Push-in Connector
11	4	<b>FMD09-2B</b>	Size 2, 3/8" OD Tube Straight Push-in Connector
12	2	<b>MMDVA2</b>	Clip-on Muffler

**How to Order -**

**Example:** Application requires V Series valves with DeviceNet Communications Module. Manifold to include (1) Size 2, 4/2 Double Solenoid Valve - 3/8" OD fitting, (1) Size 1, 4/2 Single Solenoid Valve - 1/4" OD Elbow Fitting, Intermediate Module - 3/8" OD fitting with Exhaust Muffler, Port 1 and 3 Blocked, (1) Size 1, Dual 3/2 NC Valve and (1) Size 1, 4-Way Double Solenoid Valve both with 1/4" OD Straight Fittings. Include 3/8 OD Inlet Fitting and Exhaust Muffler.

Line item	Quantity	Part number	Description
<b>Complete Manifold Assembly</b>			
1	1	<b>P2MAVB1F9MM05</b>	Moduflex Island Assembly, Pneumatic Head and Tail Module Set, Internal Pilot Supply, Internal Pilot Exhaust, 3/8" Straight Fitting Port 1, Port 3 Muffler.
2	1	<b>P2M2HBVD11600</b>	DeviceNet Module
3	1	<b>P2M2V4EE2CV00F9</b>	Size 2, Double Solenoid, 4/2, 3/8" Straight Pneumatic Connectors.
4	1	<b>P2M1V4ES2CV00C7</b>	Size 1, Single Solenoid, 1/4" Elbow Pneumatic Connectors.
5	1	<b>P2M2BXV0A1F9MM</b>	Intermediate Module 3/8" Straight Fitting with Exhaust Muffler
6	2	<b>P2M1VDEE2CV00C7</b>	Size 1, Dual 3/2 NC + NC, 1/4" Elbow Pneumatic Connectors.
7	1	<b>P2M1VJEE2CV00F7</b>	Size 1, Dual 4/2, 1/4" Straight Pneumatic Connectors.

**Components**

1	1	<b>P2M2HXT01</b>	Pneumatic Head and Tail Module Set
2	1	<b>P2M2HBVD11600</b>	DeviceNet Module
3	1	<b>P2M2V4EE2CV</b>	Size 2, V Series Island Valve Module, Double Solenoid, 4-Way
4	1	<b>P2M1V4ES2CV</b>	Size 1, V Series Island Valve Module, Single Solenoid, 4-Way
5	1	<b>P2M2BXV0A</b>	Intermediate Module
6	1	<b>P2M1VGEE2CV</b>	Size 1, V Series Island Valve Module, Dual 3/2 NC + NC
7	2	<b>P2M1VJEE2CV</b>	Size 1, V Series Island Valve Module, Dual 4/2
8	2	<b>CMD07-1B</b>	Size 1, 1/4" OD Tube Elbow Push-in Connector
9	6	<b>FMD07-1B</b>	Size 1, 1/4" OD Tube Straight Push-in Connector
10	4	<b>FMD09-2B</b>	Size 2, 3/8" OD Tube Straight Push-in Connector
11	2	<b>MMDVA2</b>	Clip-on Muffler



For inventory, lead time, and kit lookup, visit [www.pdnplu.com](http://www.pdnplu.com)

D63

**Parker Hannifin Corporation**  
 Pneumatic Division  
 Richland, Michigan  
[www.parker.com/pneumatics](http://www.parker.com/pneumatics)

**D**

Subbase & Manual Valves

H Series Micro

Moduflex Series

H Series ISO

Fieldbus Systems

DX ISOMAX Series

Valvair II Series



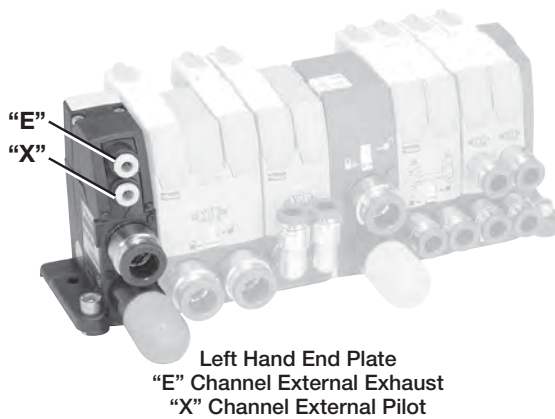
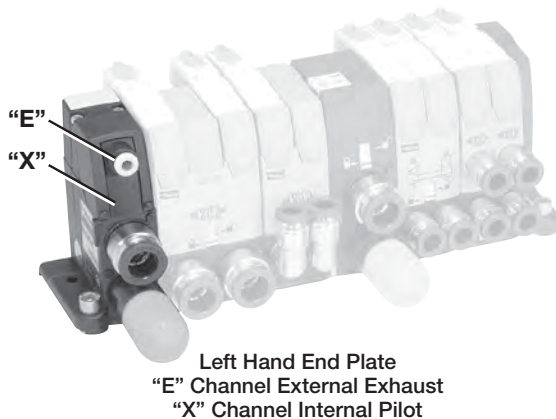
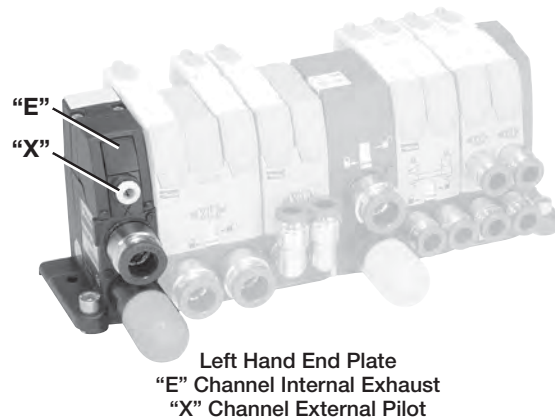
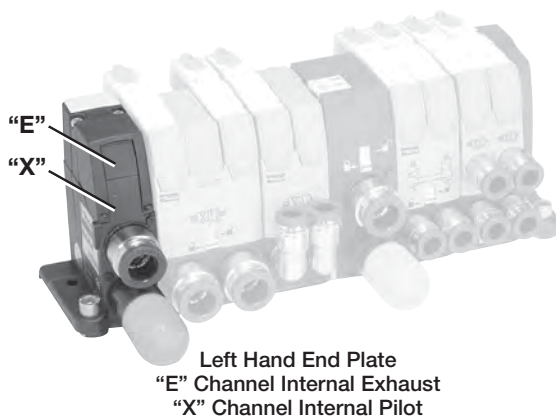
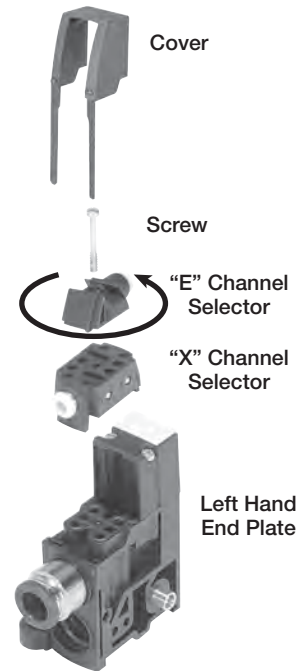
**Internal and external pilot supply options**

All T and V Series Valve bases incorporate an auxiliary channel "X" to supply pressure to the solenoid pilots. The "X" galley is pressurized from the left hand end plate. Depending on the configuration of the left hand end plate, this pressure is either supplied from the #1 port in the left hand end plate or supplied externally through a 4mm OD tube fitting in the left hand end plate. This fitting is supplied in all left hand end plates and can be converted in the field.

**Internal and external solenoid pilot exhaust options**

All T and V Series Valve bases incorporate an auxiliary channel "E" which is used to exhaust the solenoid pilot pressure from each solenoid valve. The "E" galley is connected to the left hand end plate. Depending on the configuration of the left hand end plate, this exhaust is either connected to the #3 exhaust port or is connected to a 4mm OD Tube fitting in the left hand end plate. This fitting is supplied in all left hand end plates and can be converted in the field.

To configure the left hand end plate, with pressure off, remove head cover to expose the selector section. Loosen selector section and rotate "X" or "E" channel selector to desired position. Tighten selector section and assemble cover.



D	Subbase & Manual Valves
	H Series Micro
Moduflex Series	
H Series ISO	
Fieldbus Systems	
DX ISOMAX Series	
Valvair II Series	



For inventory, lead times, and kit lookup, visit [www.pdnplu.com](http://www.pdnplu.com)

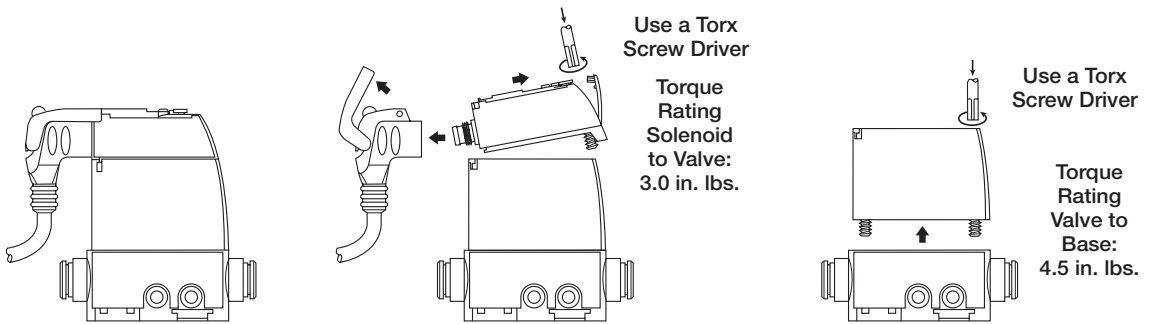


**“V”, “T” and “S” Series Maintenance**

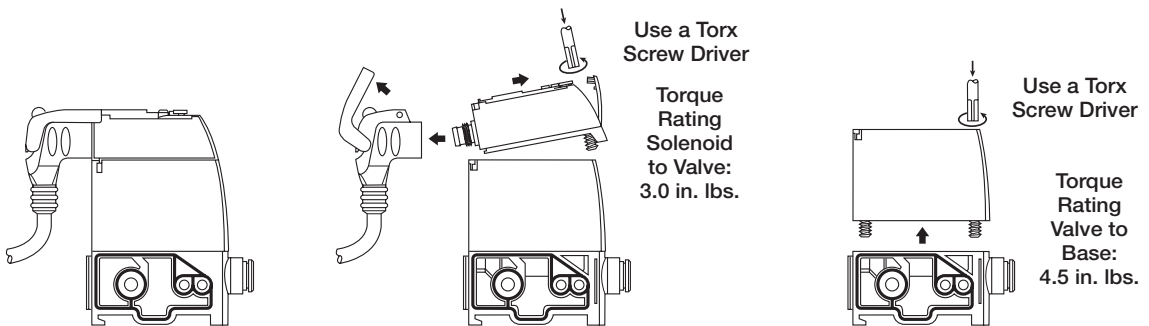
The latest generations of compact pneumatic valves have a life expectancy which generally exceeds the equipment they control. Therefore, maintenance is seldom required. When it

is necessary to change the solenoid pilot, valve or connector, they can be easily replaced without removing the island base, as shown below.

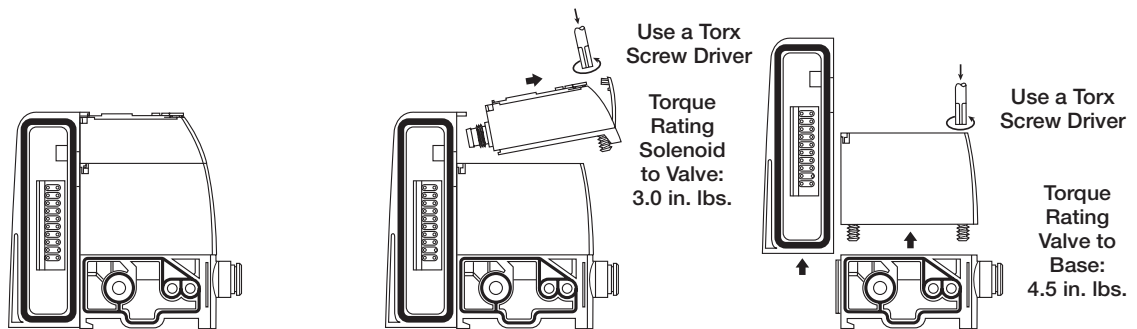
**“S” Series**



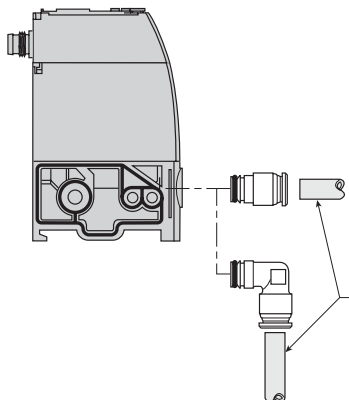
**“T” Series**



**“V” Series**



**Fitting and Tubing Installation**



**Fitting Assembly:** Pneumatic Connectors are retained by a clip in each module. Assembly is achieved by pushing the fitting into the module and sliding the clip down over the groove in the fitting. Pull fitting to check that it is secure.

**Tubing Assembly:** Cut tubing squarely & cleanly. Inspect the tubing to insure there are no sharp edges that may nick or cut the o-ring seal. Insert tubing into fitting until it bottoms out. A slight pull on the tube afterwards can help verify it is properly retained / inserted.

**Tubing Disassembly:** When it is required to remove the tubing from the fitting push the release button in towards the fitting & remove the tubing.

**Tubing Reassembly:** Inspect the tubing before re-inserting it for any scoring or other damage that would affect the o-ring sealing. It is recommended that for every insertion, the tubing end be trimmed, especially if it has any scoring or damage.

**Pneumatic Valve Specifications**

Fluid	Air, inert gas, filtered 40µ <sup>1</sup> , dry <sup>2</sup> or lubricated <sup>3</sup>		
Operating Pressures	Vacuum to 120 PSI		
Piloting Pressure	43 to 120 PSI for operating pressures below, use external pilot supply available on all head modules <sup>5</sup>		
Pilot Supply	Internal with "S" Series, mixed internal / external with "T" and "V" Series		
Exhaust Collection	All exhausts are collectable, including solenoid pilot exhaust		
Life Cycle	100 million operations <sup>4</sup> (with dry air, 3 Hz, 20°C, 6 bar)		
Operating Temperatures	5°F to 140°F (32°F to 130°F for field bus systems)		
Stocking Temperatures	-40°F to 155°F		
Vibration Resistance	According to IEC 68 - 2 - 6	2G	2 to 150 Hz
Impact Resistance	According to IEC 68 - 2 - 27	15G	11 ms

1. Class 5 according to ISO 8573-1
2. Class 4 according to ISO 8573-1
3. 3. With main air supply lubricated, monitor lubrication rate so that valve bank is not flooded with lubricant.
4. 4/2 valve
5. Double 3/2 minimum 50 PSI

**Electrical Specifications**

Rated Coil Voltage	24VDC		
Allowable Voltage Fluctuation	-15% to +10 % of nominal voltage		
Electrical Connection	Polarity insensitive: PNP and NPN compatible		
Coil insulation Type	Class B		
Power Consumption	1W (42 mA)		
Manual Override	Locking or non-locking, isolated if required		
Response Time of the Complete Valve	9.6 ms ± 1.2 on 4/2 Double Solenoid Valve Size 1 12.0 ms ± 1.2 on 4/2 Single Solenoid Valve Size 1 14.8 ms ± 2 on 4/2 Double Solenoid Valve Size 2 17.0 ms ± 2 on 4/2 Single Solenoid Valve Size 2	According to ISO 12238	
Type of Use	Continuous-duty Solenoid		
Dust and Water Protection	According to EN 60 529	"S" and "T" Series:	M8 IP67
			Clip IP40
		"V" Series:	IP65

**Specifications**

**1/4", 3/8" and 1/2" Fittings**

**Construction**

Nickel Plated Brass Body; O-ring: Nitrile (Buna N) lubricated with Silicone lubricant; Grab Ring: 301 Stainless Steel; One Piece Button Collet: Acetal – black

**Recommended Parker Tubing Series:**

E (Linear Low Density Polyethylene), PP (Polypropylene), N (Plasticized Polyamide, Nylon), NR (Unplasticized Polyamide, Rigid Nylon), U (Polyurethane 90 Durometer Shore A), HU (Polyurethane 95 Durometer Shore A)

**Other materials:** Polyurethane 85 Durometer Shore A – Applications and service conditions vary and therefore the use of a tube support may be required for any 85A PU tubing. The following commercially available O.D. – I.D. 85A tubing sizes require the use of a tube support regardless of application. ( 5/32" – 3/32", 3/16" – 1/8", 1/4" - .170", 1/4" – 3/16", 5/16" – 1/4", 3/8" – 5/16", 1/2" – 3/8")

Prestolok fittings should not be used for live swivel applications. Vacuum applications dependent upon temperature and type of tubing used.

**6mm, 8mm, 10mm, 12mm Fittings**

**Construction**

Polyamide HR Body; O-ring: Nitrile (Buna N) lubricated with Silicone lubricant; Sleeve: Nickel Plate Brass; Grab Ring: 301 Stainless Steel; One Piece Button Collet: Polyacetal – yellow

**Recommended Parker Tubing Series for 6mm, 8mm, 10mm, 12mm Fittings:**

E (Linear Low Density Polyethylene), N (Plasticized Polyamide, Nylon), U (Polyurethane 90 Durometer Shore A), HU (Polyurethane 95 Durometer Shore A)

Prestolok fittings should not be used for live swivel applications. Vacuum applications dependent upon temperature and type of tubing used.

**D**  
 Subbase & Manual Valves  
 H Series Micro  
 Moduflex Series  
 H Series ISO  
 Fieldbus Systems  
 DX ISOMAX Series  
 Valvair II Series



For inventory, lead times, and kit lookup, visit [www.pdnplu.com](http://www.pdnplu.com)

D66

**Parker Hannifin Corporation**  
 Pneumatic Division  
 Richland, Michigan  
[www.parker.com/pneumatics](http://www.parker.com/pneumatics)

**"S" Series Individual Subbase Valve Dimensions and Mounting**

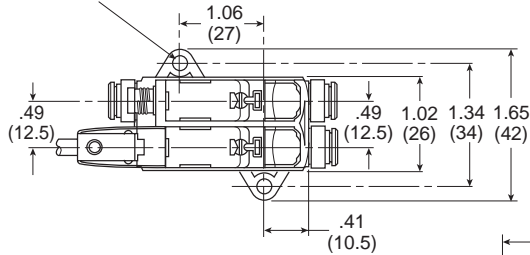
**Subbase Valve Size 1**



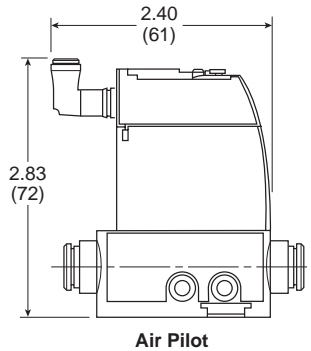
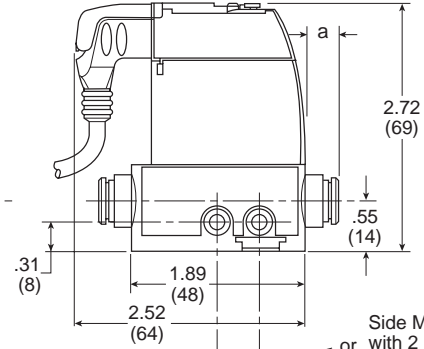
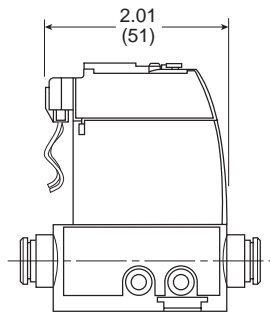
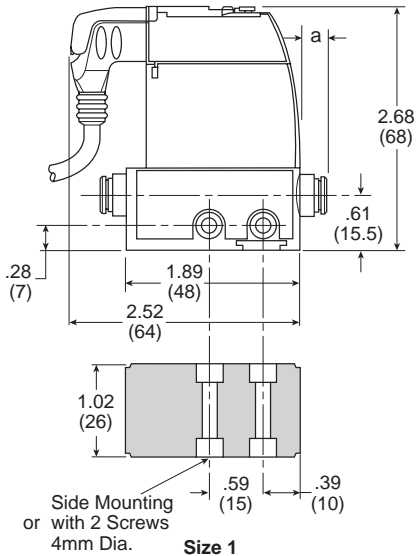
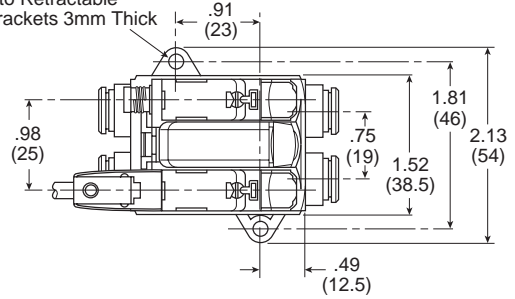
**Subbase Valve Size 2**



Surface Mounting with Screws 4 mm Dia. into Retractable Brackets 3mm Thick



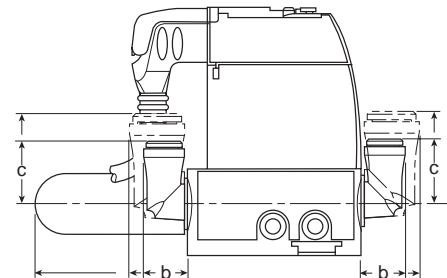
Surface Mounting with Screws 4 mm Dia. into Retractable Brackets 3mm Thick



**Air Pilot**

OD Tube Ext.	a	b	c
5/32" (4 mm)	8	10	12
<b>Size 1 Valves</b>			
6 mm	8	13	16
1/4"	15	18	22
Muffler		31	
1/4"	12	18	22
<b>Size 2 Valves</b>			
8 mm	9	16	19
3/8"	16	23	26
10 mm	13	18	22
Muffler		40	

**Special Case:** 4/3 all ports blocked. Add the dual P.O. check valve that has been plugged in the basic valve.



For inventory, lead time, and kit lookup, visit [www.pdnplu.com](http://www.pdnplu.com)

D67

**Parker Hannifin Corporation**  
 Pneumatic Division  
 Richland, Michigan  
[www.parker.com/pneumatics](http://www.parker.com/pneumatics)

**D**

**Subbase & Manual Valves**

**H Series Micro**

**Moduflex Series**

**H Series ISO**

**Fieldbus Systems**

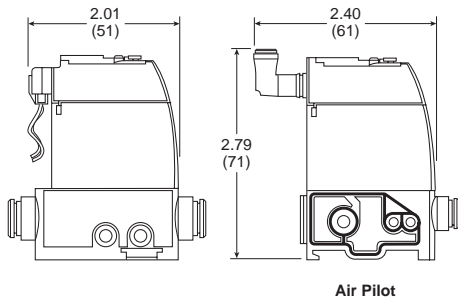
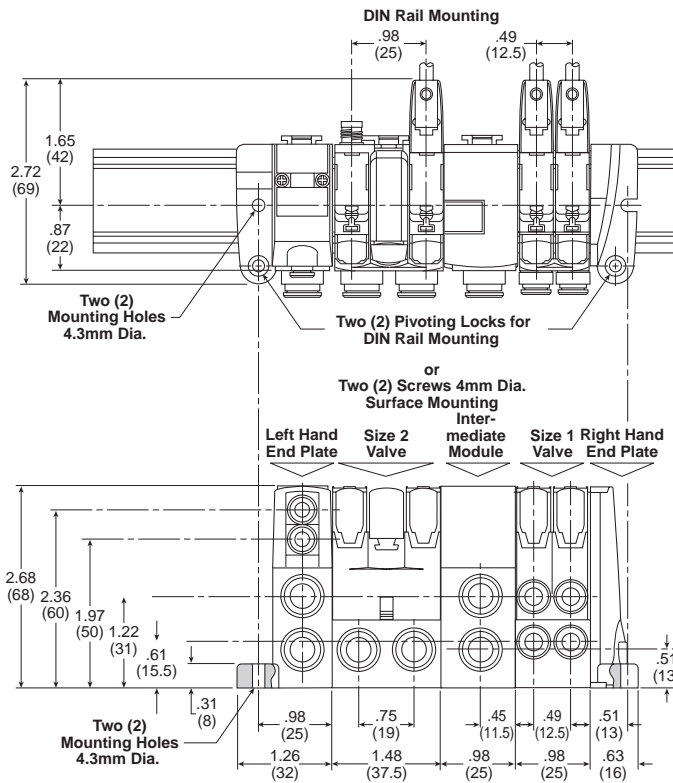
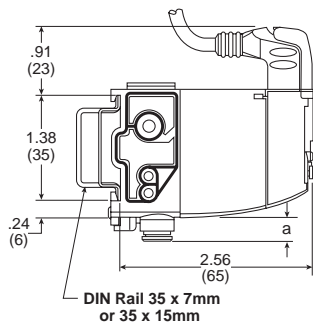
**DX ISOMAX Series**

**Valvair II Series**

**"T" Series Manifold Dimensions and Mounting**



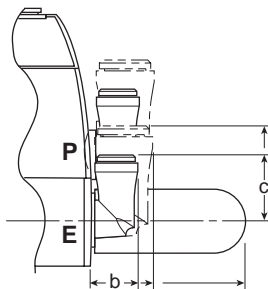
Total Width Depends on Valve Composition



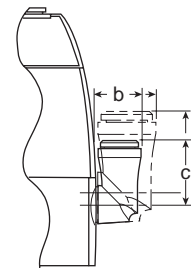
**Special Case:** 4/3 all ports blocked function within island version, add the dimensions of the dual P.O. check valve plugged into the island.

**End Plate and Intermediate Modules**

	a	b	c
6 mm Tube OD	8	13	16
1/4" Tube OD	12	18	22
8 mm Tube OD	9	16	19
3/8" Tube OD	16	23	26
10 mm Tube OD	13	18	25
12 mm Tube OD	13	19	25
1/2" Tube OD	13		
Muffler	40		



OD Tube	Ext.	a	b	c
Size 1 Valves	5/32" (4 mm)	8	10	12
	6 mm	8	13	16
	1/4"	15	18	22
Size 2 Valves	1/4"	12	18	22
	8 mm	9	16	19
	3/8"	16	23	26
10 mm	13	18	22	



**D**  
 Subbase & Manual Valves  
 H Series Micro  
 Moduflex Series  
 H Series ISO  
 Fieldbus Systems  
 DX ISOMAX Series  
 Valvair II Series

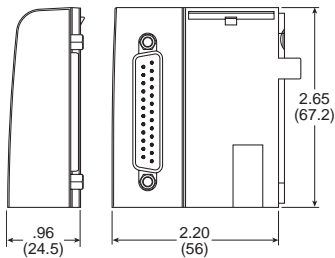
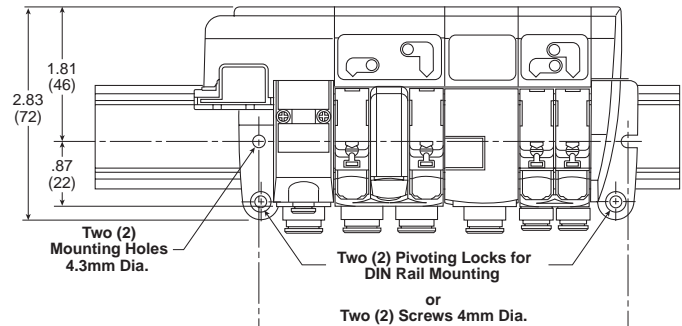
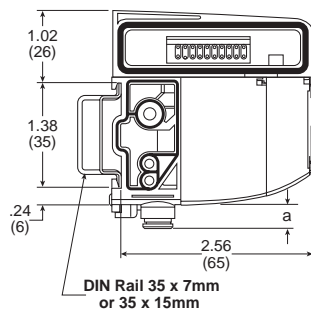


For inventory, lead times, and kit lookup, visit [www.pdnplu.com](http://www.pdnplu.com)

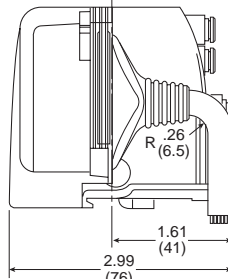
**"V" Series Manifold Dimensions and Mounting**  
 20-pin, Multi-Connector Valve Manifold



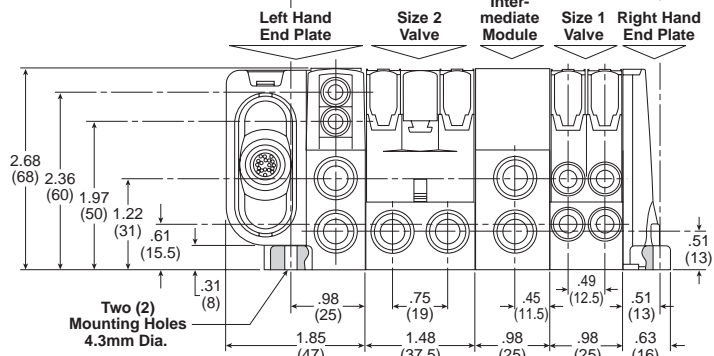
Total Width Depends  
 on Valve Composition



25-pin,  
 D-Sub

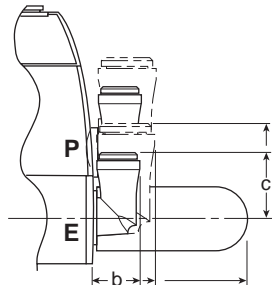


20-pin,  
 Multi-Connector

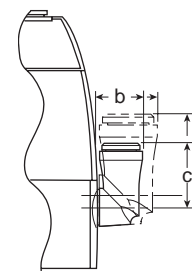


**End Plate and Intermediate Modules**

	a	b	c
6 mm Tube OD	8	13	16
1/4" Tube OD	12	18	22
8 mm Tube OD	9	16	19
3/8" Tube OD	16	23	26
10 mm Tube OD	13	18	25
12 mm Tube OD	13	19	25
1/2" Tube OD	13		
Muffler	40		



OD Tube	Ext.	a	b	c
Size 1 Modules	5/32" (4 mm)	8	10	12
	6 mm	8	13	16
	1/4"	15	18	22
Size 2 Modules	1/4"	12	18	22
	8 mm	9	16	19
	3/8"	16	23	26
	10 mm	13	18	22



For inventory, lead time, and kit lookup, visit [www.pdnplu.com](http://www.pdnplu.com)

D69

**Parker Hannifin Corporation**  
 Pneumatic Division  
 Richland, Michigan  
[www.parker.com/pneumatics](http://www.parker.com/pneumatics)

**D**

Subbase & Manual Valves

H Series Micro

Moduflex Series

H Series ISO

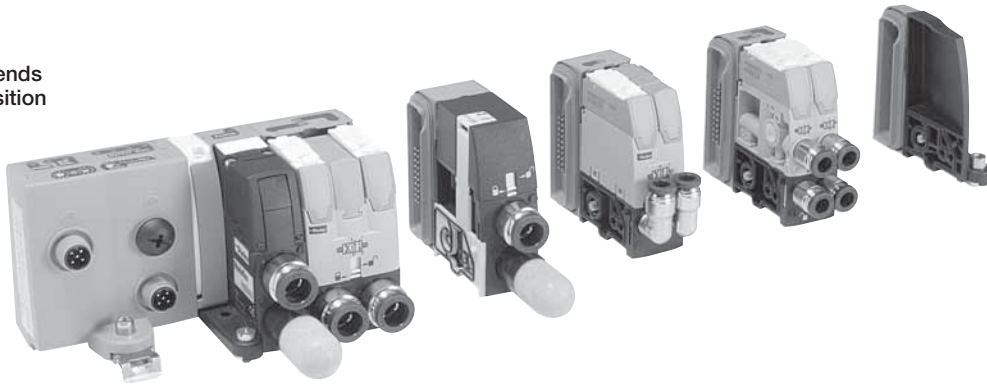
Fieldbus Systems

DX ISOMAX Series

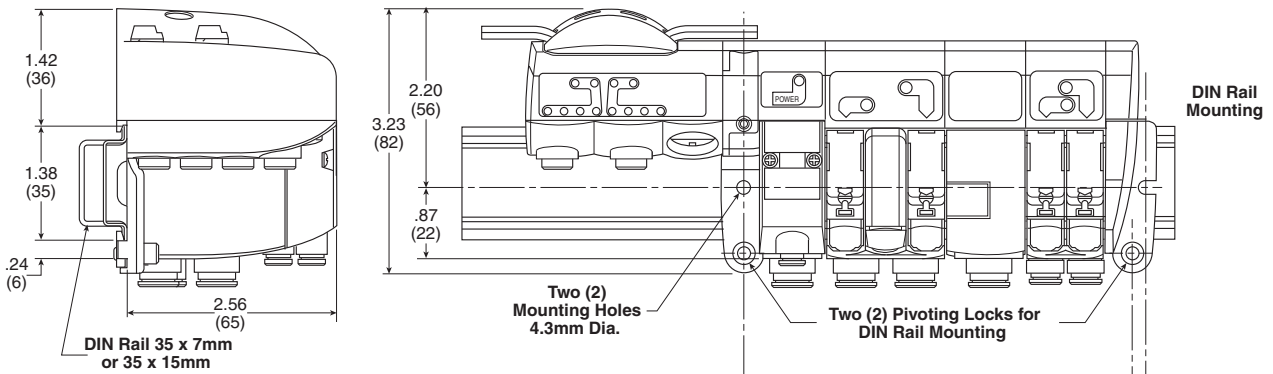
Valvair II Series

**"V" Series Manifold Dimensions and Mounting**  
 Fieldbus Connected Manifolds

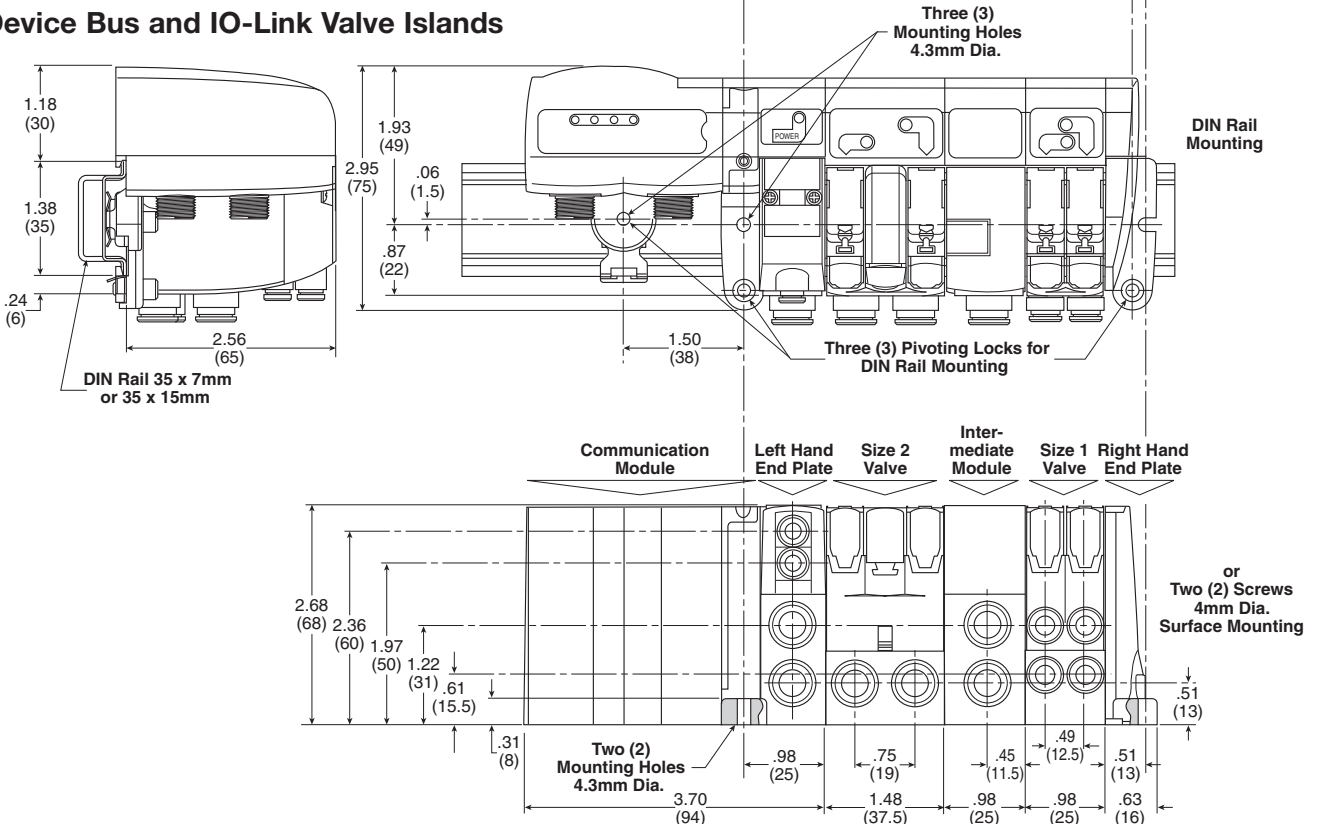
Total Width Depends  
 on Valve Composition



**AS-i Bus Islands**



**Device Bus and IO-Link Valve Islands**



<b>D</b>	Subbase & Manual Valves
<b>H Series Micro</b>	Moduflex Series
<b>H Series ISO</b>	Fieldbus Systems
<b>DX ISOMAX Series</b>	Valvair II Series



For inventory, lead times, and kit lookup, visit [www.pdnplu.com](http://www.pdnplu.com)

D70

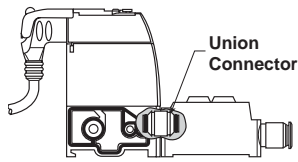
**Parker Hannifin Corporation**  
 Pneumatic Division  
 Richland, Michigan  
[www.parker.com/pneumatics](http://www.parker.com/pneumatics)



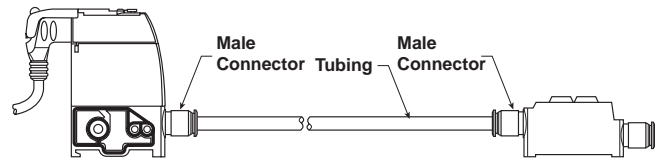
**"P" Series Peripheral Modules Dimensions and Mounting**

**Reminder:** Peripheral modules may either be plugged in the valve output ports or mounted in-line separate from the valve.

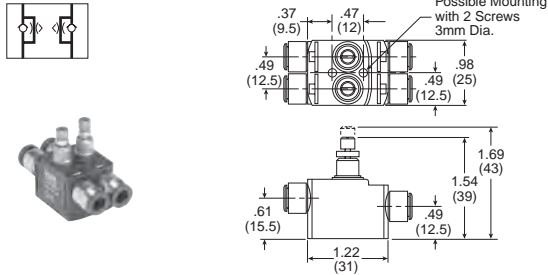
Peripheral Module  
 Plugged in a Valve



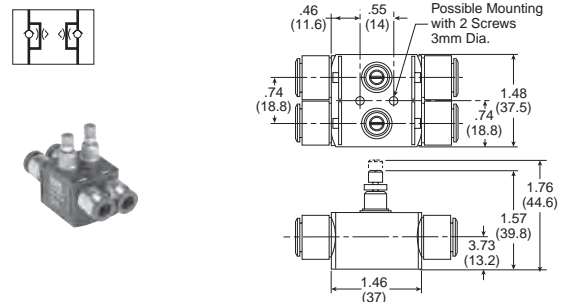
In-Line Peripheral Modules:  
 Mounting is Required



**Dual Flow Control Size 1**

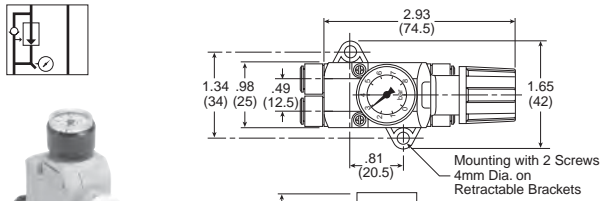


**Dual Flow Control Size 2**



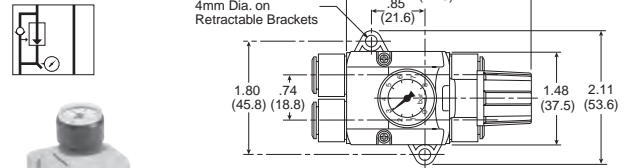
**Pressure Regulator Size 1**

With Gauge

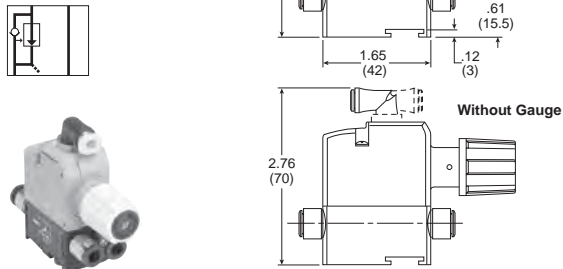


**Pressure Regulator Size 2**

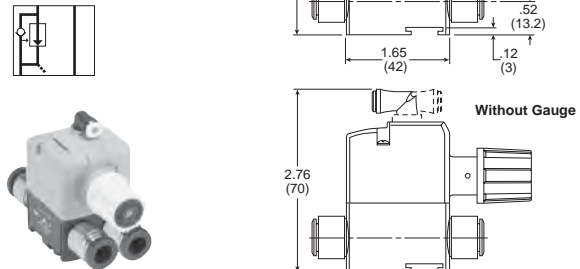
With Gauge



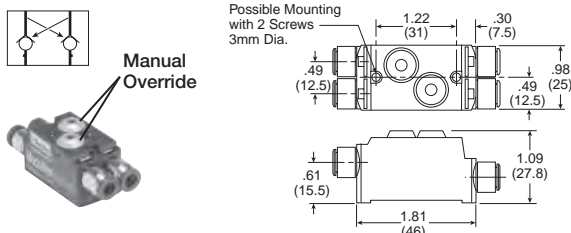
Without Gauge



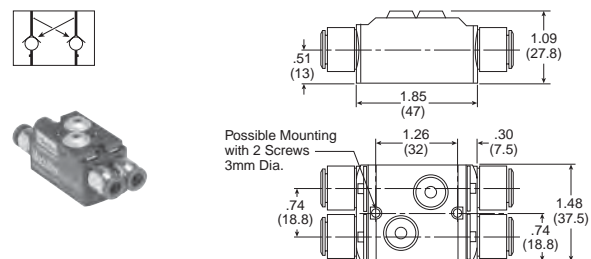
Without Gauge



**Dual P.O. Check Valve Size 1**



**Dual P.O. Check Valve Size 2**



For inventory, lead time, and kit lookup, visit [www.pdnplu.com](http://www.pdnplu.com)

## H Series ISO

The H Series ISO valve conforms to international standards 15407 and 5599, providing maximum flexibility for end users. As Parker's premier manifold mount product offering, H Series ISO offers machine builders a complete offering with a wide variety of accessories and options in a valve family with flow ranges from 0.55 Cv up to 6.0 Cv. Individual wiring is available with DIN or central connectors, and collective solutions offer installation time savings with either multi-pin connectors or fieldbus solutions.

### Ports, Flow

- HB: 1/8 inch, 0.55 Cv
- HA: 1/4 inch, 1.1 Cv
- H1: 3/8 inch, 1.5 Cv
- H2: 1/2 inch, 3.0 Cv
- H3: 3/4 inch, 6.0 Cv
- NPT and BSPP "G" standard

### Mounting

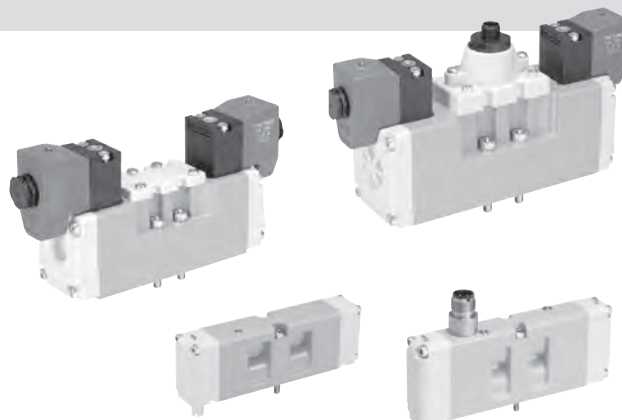
- Manifold or subbase

### Solenoids

- HB & HA: 24 VDC, 1.0 Watt, and 120 VAC, 1.0 VA
- H1, H2, & H3: 24 VDC, 3.2 Watt, and 120 VAC, 4.5 VA

### Certification / approval

- IP65 rated
- CSA / C-US approved
- BSPP manifold and subbase ports meet ISO 1179 specifications



### Operating information

Operating pressure:	Vacuum to 145 PSIG (Vacuum to 10 bar)
Pilot pressure:	See chart
Temperature range:	5°F to 120°F (-15°C to 49°C)

### Material specifications

Body	Aluminum
End caps	PBT
End plates	Aluminum
Fasteners	Zinc plated steel
Manifolds	Aluminum
Seals	Nitrile
Spool	Aluminum

### Operating Pressure

Maximum: 145 PSIG (1000 kPa)

Minimum:

Operator / function	Internal pilot	PSIG (Min. kPa) HB	PSIG (Min. kPa) HA	PSIG (Min. kPa) H1	PSIG (Min. kPa) H2	PSIG (Min. kPa) H3
1	Single solenoid - 2-position	30	25	25	25	35
2	Double solenoid - 2-position	(207)	(173)	(173)	(173)	(241)
3	Single remote pilot - 2-position**	Vacuum	Vacuum	Vacuum	Vacuum	Vacuum
4	Double remote pilot - 2-position**	Vacuum	Vacuum	Vacuum	Vacuum	Vacuum
5, 6, 7	Double solenoid - 3-position APB, CE, PC	35 (241)	35 (241)	35 (241)	50 (345)	50 (345)
8, 9, 0	Double remote pilot - 3-position** APB, CE, PC	Vacuum	Vacuum	Vacuum	Vacuum	Vacuum
E	Single solenoid pilot - 2-position					
	Air return / spring assist	30	30	35	45	45
		(207)	(207)	(241)	(310)	(310)
F	Single remote pilot - 2-position**					
	Air return / spring assist					
N, P, Q	Double solenoid - dual 3/2	30 (207)	N/A	N/A	N/A	N/A
	External pilot*	*	*	*	*	*
All	H Series	Vacuum	Vacuum	Vacuum	Vacuum	Vacuum

\* External Pilot Pressure / Remote Pilot Supply - Must meet or exceed minimum pilot pressure for internal pilot option. Not available on Operator / Function N, P, or Q.

\*\* Must be equal to or greater than operating pressure.

D

Subbase & Manual Valves

H Series Micro

Modulflex Series

H Series ISO

Fieldbus Systems

DX ISOMAX Series

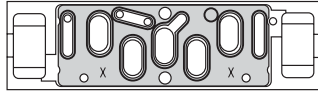
Valvair II Series



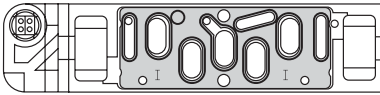
For inventory, lead times, and kit lookup, visit [www.pdnplu.com](http://www.pdnplu.com)

**ISO Pneumatic Valve Standard Definitions**

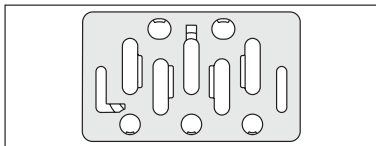
**15407-1:** Non-Plug-in Standards for Size 01 (26mm) & Size 02 (18mm) Wide Valves



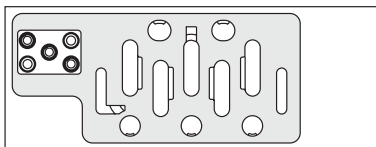
**15407-2:** Plug-in Standards for Size 01 (26mm) & Size 02 (18mm) Wide Valves



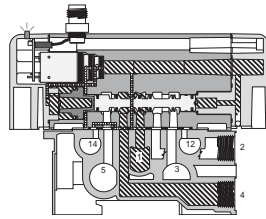
**5599-1:** Non-Plug-in Standards for Sizes 1, 2, 3



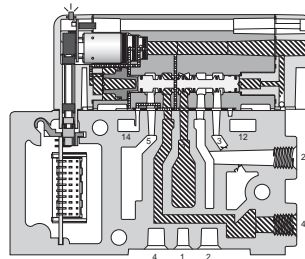
**5599-2:** Plug-in Standards for Size 1, 2, 3



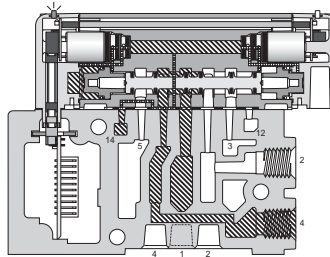
**HB / HA Series**



**15407-1 18mm Single Solenoid Internal Pilot Manifold Mounted**



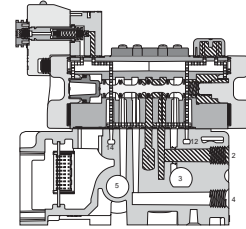
**15407-2 18mm Single Solenoid Internal Pilot Manifold Mounted**



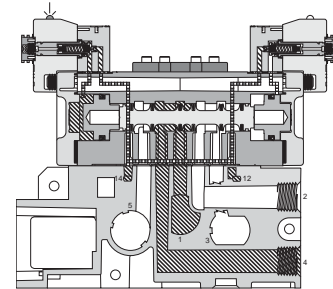
**15407-2 26mm Double Solenoid External Pilot Manifold Mounted**

▨ Pressure □ Exhaust

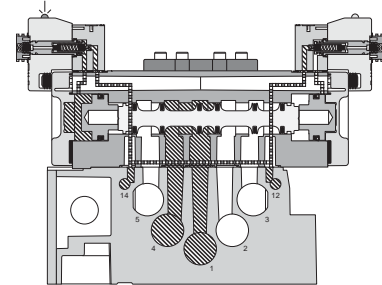
**H1, H2, H3 Series**



**H1 5599-2 Single Solenoid Internal Pilot Manifold Mounted**



**H2 5599-2 Double Solenoid External Pilot Manifold Mounted**

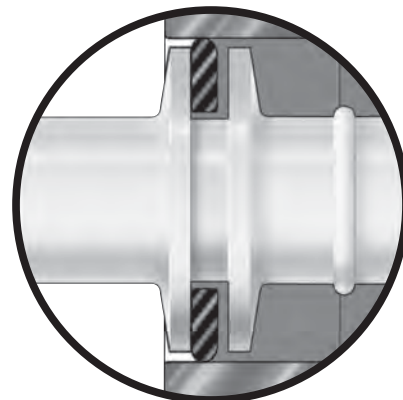


**H3 5599-2 Double Solenoid External Pilot Subbase Mounted**

▨ Pressure □ Exhaust









**Wear Compensation System**









- Maximum Performance
  - Low Friction
  - Lower Operating Pressures
  - Fast Response
  - Less Wear
- Long Cycle Life - Under pressure, radial expansion of the seal occurs to maintain sealing contact with the valve bore.
- Non-Lube Service - No lubrication required for continuous valve shifting.
- Bi-Directional Spool Seals - Common spool used for any pressure, including vacuum.





For inventory, lead time, and kit lookup, visit [www.pdnplu.com](http://www.pdnplu.com)

15407-2, Plug-in, Size 18mm (HB)

Symbol	Type	Cv	Operator	Voltage	Pilot	Non-locking	Locking
 Sol. 14	4-way, 2-position, spring return	0.55	Single solenoid	24 VDC	Internal	<b>HBEVXBG0G9A</b>	HBEVXBH0G9A
					External	HBEVXLG0G9A	HBEVXLH0G9A
 Sol. 14	4-way, 2-position, air return	0.55	Single solenoid	24 VDC	Internal	<b>HB1VXBG0G9A</b>	HB1VXBH0G9A
					External	HB1VXLG0G9A	HB1VXLH0G9A
 Sol. 14 Sol. 12	4-way, 2-position	0.55	Double solenoid	24 VDC	Internal	<b>HB2VXBG0G9A</b>	HB2VXBH0G9A
					External	HB2VXLG0G9A	HB2VXLH0G9A
 #14	4-way, 3-position, all ports blocked	0.5	Double solenoid	24 VDC	Internal	<b>HB5VXBG0G9A</b>	HB5VXBH0G9A
					External	HB5VXLG0G9A	HB5VXLH0G9A
 #14	4-way, 3-position, center exhaust	0.5	Double solenoid	24 VDC	Internal	<b>HB6VXBG0G9A</b>	HB6VXBH0G9A
					External	HB6VXLG0G9A	HB6VXLH0G9A
 #14	4-way, 3-position, pressure center	0.5	Double solenoid	24 VDC	Internal	<b>HB7VXBG0G9A</b>	HB7VXBH0G9A
					External	HB7VXLG0G9A	HB7VXLH0G9A
 #14	3-way, 2-position, dual valve, NC/NC	0.45	Double solenoid	24 VDC	Internal	<b>HBNVXBG0G9A</b>	HBNVXBH0G9A
 #14	3-way, 2-position, dual valve, NO/NO	0.45	Double solenoid	24 VDC	Internal	<b>HBPVXBG0G9A</b>	HBPVXBH0G9A

Symbol	Type	Cv	Operator	Voltage	Pilot	Non-locking	Locking
 Sol. 14	4-way, 2-position, spring return	0.55	Single solenoid	120 VAC	Internal	<b>HBEVXBG023A</b>	HBEVXBH023A
					External	HBEVXLG023A	HBEVXLH023A
 Sol. 14	4-way, 2-position, air return	0.55	Single solenoid	120 VAC	Internal	<b>HB1VXBG023A</b>	HB1VXBH023A
					External	HB1VXLG023A	HB1VXLH023A
 Sol. 14 Sol. 12	4-way, 2-position	0.55	Double solenoid	120 VAC	Internal	<b>HB2VXBG023A</b>	HB2VXBH023A
					External	HB2VXLG023A	HB2VXLH023A
 #14	4-way, 3-position, all ports blocked	0.5	Double solenoid	120 VAC	Internal	<b>HB5VXBG023A</b>	HB5VXBH023A
					External	HB5VXLG023A	HB5VXLH023A
 #14	4-way, 3-position, center exhaust	0.5	Double solenoid	120 VAC	Internal	<b>HB6VXBG023A</b>	HB6VXBH023A
					External	HB6VXLG023A	HB6VXLH023A
 #14	4-way, 3-position, pressure center	0.5	Double solenoid	120 VAC	Internal	<b>HB7VXBG023A</b>	HB7VXBH023A
					External	HB7VXLG023A	HB7VXLH023A
 #14	3-way, 2-position, dual valve, NC/NC	0.45	Double solenoid	120 VAC	Internal	<b>HBNVXBG023A</b>	HBNVXBH023A
 #14	3-way, 2-position, dual valve, NO/NO	0.45	Double solenoid	120 VAC	Internal	<b>HBPVXBG023A</b>	HBPVXBH023A

15407-2, Plug-in, Size 18mm (HB), 2-Station Manifold Bases

End ported bases	Enclosure / Lead length	Solenoid addresses	1/8" NPT	1/8" BSPP
	Circuit board	Single solenoid - 1 address	<b>PS561151JP</b>	PS561152JP
	Circuit board	Double solenoid - 2 addresses	<b>PS561151MP</b>	PS561152MP
	Circuit board with 32 output expansion	Single solenoid - 1 address	<b>PS561151NP</b>	PS561152NP
	Circuit board with 32 output expansion	Double solenoid - 2 addresses	<b>PS561151PP</b>	PS561152PP
<b>Bottom / end ported bases</b>				
	Circuit board	Single solenoid - 1 address	<b>PS561161JP</b>	PS561162JP
	Circuit board	Double solenoid - 2 addresses	<b>PS561161MP</b>	PS561162MP
	Circuit board with 32 output expansion	Single solenoid - 1 address	<b>PS561161NP</b>	PS561162NP
	Circuit board with 32 output expansion	Double solenoid - 2 addresses	<b>PS561161PP</b>	PS561162PP








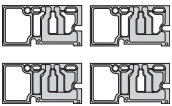
 Most popular.



For inventory, lead times, and kit lookup, visit [www.pdnplu.com](http://www.pdnplu.com)

**D**  
 Subbase & Manual Valves  
 H Series Micro  
 Modutefx Series  
 H Series ISO  
 Fieldbus Systems  
 DX ISOMAX Series  
 Valvair II Series

**15407-2, Plug-in, Size 18mm (HB) Accessories**

Accessories	Description	Part number
 Sandwich regulator	Common pressure 2-60 PSIG w/ gauge	<b>PS5638155P</b>
	Common pressure 5-125 PSIG w/ gauge	<b>PS5638166P</b>
	Independent pressure 2-60 PSIG w/ gauge	<b>PS5638255P</b>
	Independent pressure 5-125 PSIG w/ gauge	<b>PS5638266P</b>
 Gauge adapter kit	Includes 1/8" coupling and long nipple	<b>PS5651160P</b>
 Blanking plate kit		<b>PS5634P</b>
 Sandwich supply module	1/8" NPT	<b>PS561600P</b>
	1/8" BSPP	<b>PS561601P</b>
 Sandwich exhaust module	1/8" NPT	<b>PS561700P</b>
	1/8" BSPP	<b>PS561701P</b>
 Intermediate air supply module	1/8" NPT	<b>D02P-01-80</b>
 Sandwich flow control		<b>PS5635P</b>
 Manifold to manifold gasket kits	Standard	<b>PS561AP</b>
	Blocked #1 port	<b>PS561BP</b>
	Blocked #1, 3, 5, ports	<b>PS561CP</b>
	Blocked #3, 5 ports	<b>PS561DP</b>

 Most popular.



For inventory, lead time, and kit lookup, visit [www.pdnplu.com](http://www.pdnplu.com)

D75

**Parker Hannifin Corporation**  
 Pneumatic Division  
 Richland, Michigan  
[www.parker.com/pneumatics](http://www.parker.com/pneumatics)

**D**

Subbase & Manual Valves

H Series Micro

Moduflex Series

H Series ISO

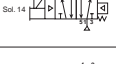

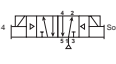
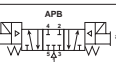
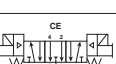
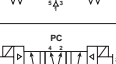
Fieldbus Systems

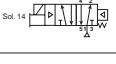

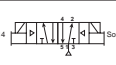
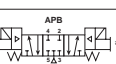
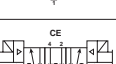
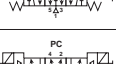
DX ISOMAX Series

Valvair II Series




15407-2, Plug-in, Size 26mm (HA)



Symbol	Type	Cv	Operator	Voltage	Pilot	Non-locking	Locking
	4-way, 2-position, spring return	1.1	Single solenoid	24 VDC	Internal	<b>HAEVXBG0G9A</b>	HAEVXBH0G9A
					External	HAEVXLG0G9A	HAEVXLH0G9A
	4-way, 2-position, air return	1.1	Single solenoid	24 VDC	Internal	<b>HA1VXBG0G9A</b>	HA1VXBH0G9A
					External	HA1VXLG0G9A	HA1VXLH0G9A
	4-way, 2-position	1.1	Double solenoid	24 VDC	Internal	<b>HA2VXBG0G9A</b>	HA2VXBH0G9A
					External	HA2VXLG0G9A	HA2VXLH0G9A
	4-way, 3-position, all ports blocked	1.0	Double solenoid	24 VDC	Internal	<b>HA5VXBG0G9A</b>	HA5VXBH0G9A
					External	HA5VXLG0G9A	HA5VXLH0G9A
	4-way, 3-position, center exhaust	1.0	Double solenoid	24 VDC	Internal	<b>HA6VXBG0G9A</b>	HA6VXBH0G9A
					External	HA6VXLG0G9A	HA6VXLH0G9A
	4-way, 3-position, pressure center	1.0	Double solenoid	24 VDC	Internal	<b>HA7VXBG0G9A</b>	HA7VXBH0G9A
					External	HA7VXLG0G9A	HA7VXLH0G9A

Symbol	Type	Cv	Operator	Voltage	Pilot	Non-locking	Locking
	4-way, 2-position, spring return	1.1	Single solenoid	120 VAC	Internal	<b>HAEVXBG023A</b>	HAEVXBH023A
					External	HAEVXLG023A	HAEVXLH023A
	4-way, 2-position, air return	1.1	Single solenoid	120 VAC	Internal	<b>HA1VXBG023A</b>	HA1VXBH023A
					External	HA1VXLG023A	HA1VXLH023A
	4-way, 2-position	1.1	Double solenoid	120 VAC	Internal	<b>HA2VXBG023A</b>	HA2VXBH023A
					External	HA2VXLG023A	HA2VXLH023A
	4-way, 3-position, all ports blocked	1.0	Double solenoid	120 VAC	Internal	<b>HA5VXBG023A</b>	HA5VXBH023A
					External	HA5VXLG023A	HA5VXLH023A
	4-way, 3-position, center exhaust	1.0	Double solenoid	120 VAC	Internal	<b>HA6VXBG023A</b>	HA6VXBH023A
					External	HA6VXLG023A	HA6VXLH023A
	4-way, 3-position, pressure center	1.0	Double solenoid	120 VAC	Internal	<b>HA7VXBG023A</b>	HA7VXBH023A
					External	HA7VXLG023A	HA7VXLH023A

15407-2, Plug-in, Size 26mm (HA), Single Subbase

Enclosure / Lead length	Solenoid addresses	1/4" NPT	1/4" BSPP
 Terminal strip in the base	Double solenoid - 2 addresses	<b>PS55113CP</b>	PS55114CP

15407-2, Plug-in, Size 26mm (HA), 2-Station Manifold Bases

End ported bases	Enclosure / Lead length	Solenoid addresses	1/4" NPT	1/4" BSPP
	Circuit board	Single solenoid - 1 address	<b>PS551153JP</b>	PS551154JP
	Circuit board	Double solenoid - 2 addresses	<b>PS551153MP</b>	PS551154MP
	Circuit board with 32 output expansion	Single solenoid - 1 address	<b>PS551153NP</b>	PS551154NP
	Circuit board with 32 output expansion	Double solenoid - 2 addresses	<b>PS551153PP</b>	PS551154PP
	Terminal strip in the base	Double solenoid - 2 addresses	<b>PS551153CP</b>	PS551154CP
Bottom / end ported bases				
	Circuit board	Single solenoid - 1 address	<b>PS551163JP</b>	PS551164JP
	Circuit board	Double solenoid - 2 addresses	<b>PS551163MP</b>	PS551164MP
	Circuit board with 32 output expansion	Single solenoid - 1 address	<b>PS551163NP</b>	PS551164NP
	Circuit board with 32 output expansion	Double solenoid - 2 addresses	<b>PS551163PP</b>	PS551164PP
	Terminal strip in the base	Double solenoid - 2 addresses	<b>PS551163CP</b>	PS551164CP

 Most popular.








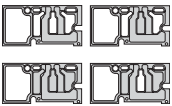


For inventory, lead times, and kit lookup, visit [www.pdnplu.com](http://www.pdnplu.com)

**D**  
 Subbase & Manual Valves  
 H Series Micro  
 Modutef Series  
 H Series ISO  
 Fieldbus Systems  
 DX ISOMAX Series  
 Valvair II Series



**15407-2, Plug-in, Size 26mm (HA) Accessories**

Accessories	Description	Part number
 Sandwich regulator	Common pressure 2-60 PSIG w/ gauge	<b>PS5538155P</b>
	Common pressure 5-125 PSIG w/ gauge	<b>PS5538166P</b>
	Independent pressure 2-60 PSIG w/ gauge	<b>PS5538255P</b>
	Independent pressure 5-125 PSIG w/ gauge	<b>PS5538266P</b>
 Gauge adapter kit	Includes 1/8" coupling and long nipple	<b>PS5651160P</b>
 Blanking plate kit		<b>PS5534P</b>
 Sandwich supply module	1/4" NPT	<b>PS551600P</b>
	1/4" BSPP	<b>PS551601P</b>
 Sandwich exhaust module	1/4" NPT	<b>PS551700P</b>
	1/4" BSPP	<b>PS551701P</b>
 Intermediate air supply module	1/4" NPT	<b>D01P-02-80</b>
 Sandwich flow control		<b>PS5535P</b>
 Manifold to manifold gasket kits	Standard	<b>PS561AP</b>
	Blocked #1 port	<b>PS561BP</b>
	Blocked #1, 3, 5, ports	<b>PS561CP</b>
	Blocked #3, 5 ports	<b>PS561DP</b>

**D**  
 Subbase & Manual Valves  
 H Series Micro  
 Moduflex Series  
 H Series ISO  
 Fieldbus Systems  
 DX ISOMAX Series  
 Valvair II Series

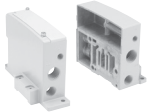





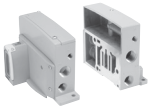
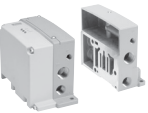
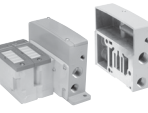


For inventory, lead time, and kit lookup, visit [www.pdnplu.com](http://www.pdnplu.com)

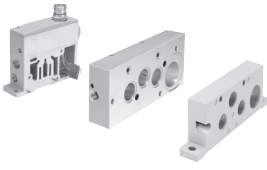
D77

**Parker Hannifin Corporation**  
 Pneumatic Division  
 Richland, Michigan  
[www.parker.com/pneumatics](http://www.parker.com/pneumatics)

15407-2, Plug-in, Size 18mm & 26mm End Plate Kits

	Electrical option	NPT port	BSPP port
	No connector - HB non plug-in valves HA non plug-in valves, or HA plug-in valves with terminals in base	PS5631010P	PS5631011P
	25-pin, D-Sub	PS5620L20P	PS5620L21P
	19-pin, round, Brad Harrison	PS5620L30P	PS5620L31P
	12-pin, M23	PS5620L40P	PS5620L41P
	16-point terminal strip	PS5620L50P	PS5620L51P
	19-pin, M23	PS5620M20P	PS5620M21P
	Moduflex fieldbus	PS5620M40P	PS5620M41P
	H Series Fieldbus, with valve driver module	PS5620L60P	PS5620L61P
	Turck fieldbus with valve driver module - 16 outputs	PS5620T10P	PS5620T11P
	Turck fieldbus with valve driver module - 32 outputs	PS5620T20P	PS5620T21P

15407-2 End Plate Kits with Transition to H2

	Electrical option	NPT port	BSPP port
	25-pin, D-sub	PS5624L20P	PS5624L21P
	19-pin, round, Brad Harrison	PS5624L30P	PS5624L31P
	12-pin, M23	PS5624L40P	PS5624L41P
	16-point terminal strip	PS5624L50P	PS5624L51P
	19-pin, M23	PS5624M20P	PS5624M21P
	Moduflex fieldbus	PS5624M40P	PS5624M41P
	H Series Fieldbus, with valve driver module	PS5624L60P	PS5624L61P
	Turck fieldbus with valve driver module - 16 outputs	PS5624T10P	PS5624T11P
	Turck fieldbus with valve driver module - 32 outputs	PS5624T20P	PS5624T21P

Turck, H Series Fieldbus, and Moduflex communication modules must be ordered separately. See Fieldbus Section for more information.

**Note:**

For cable part numbers and pin out information see Fieldbus System Accessories.

 Most popular.

**D**  
 Subbase & Manual Valves  
 H Series Micro  
 Moduflex Series  
 H Series ISO  
 Fieldbus Systems  
 DX ISOMAX Series  
 Valvair II Series



For inventory, lead times, and kit lookup, visit [www.pdnplu.com](http://www.pdnplu.com)

D78

**Parker Hannifin Corporation**  
Pneumatic Division  
Richland, Michigan  
[www.parker.com/pneumatics](http://www.parker.com/pneumatics)

**15407-2, Plug-in, Size 18mm (HB) & 26mm (HA)**

**HB 1 VX B G 0 G9 A**

Basic series 15407-2	
ISO 15407-2 18mm	HB
ISO 15407-2 26mm	HA

15407-2 Engineering level	
A	Current

15407-2 Operator / Function	
Single solenoid, 2-position - air return	1
Double solenoid, 2-position	2
Double solenoid, 3-position - APB	5
Double solenoid, 3-position - CE	6
Double solenoid, 3-position - PC	7
Single solenoid, 2-position - air return, spring assist	E
Double solenoid, dual 3/2, NC/NC	N*
Double solenoid, dual 3/2, NO/NO	P*
Double solenoid, dual 3/2, 14 end NC - 12 end NO	Q*

15407-2 Voltage & frequency				
	AC		DC	Light & surge suppression
	60Hz	50Hz		
G9			24	LED & suppression
23	120	115		LED & suppression

15407-2 Enclosure / Lead length	
0	Valve less base

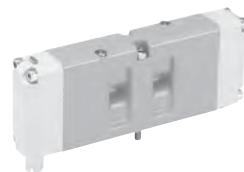
15407-2 Overrides / Lights	
G	Non-locking, flush, push - w/ light
H	Locking, flush, push / turn - w/ light

\* Available on HB Only, must use Internal Pilot Source Option "B".

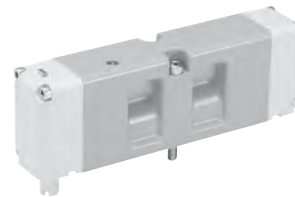
Mounting	
15407-2 Valve less base	VX

15407-2 Pilot source / Pilot exhaust	
Internal pilot, port #1 / vented	B
External pilot, port #14 / vented	L*

\* Must be specified when using Sandwich Regulators.



HB: 18mm



HA: 26mm

Most popular.



For inventory, lead time, and kit lookup, visit [www.pdnplu.com](http://www.pdnplu.com)

**D**

Subbase & Manual Valves

H Series Micro

Moduflex Series

H Series ISO

Fieldbus Systems

DX ISOMAX Series

Valvair II Series

**15407-2, Plug-in, Size 18mm (HB) & 26mm (HA)**

**Manifold / Subbase Kits**

**PS551113**

**C**

**P**

Mounting Style / Port Size	
ISO 15407-2, 18mm HB	
Manifold with 1/8 NPT End Ports	PS561151
Manifold with 1/8 BSPP End Port	PS561152*
Manifold with 1/8 NPT Bottom / End Port	PS561161
Manifold with 1/8 BSPP Bottom / End Port	PS561162*
ISO 15407-2, 26mm HA	
Subbase with 1/4 NPT Side Ports	PS551113
Subbase with 1/4 BSPP Side Ports	PS551114*
Subbase with 1/4 NPT Bottom / Side Port	PS551123
Subbase with 1/4 BSPP Bottom / Side Port	PS551124*
Manifold with 1/4 NPT End Port	PS551153
Manifold with 1/4 BSPP End Port	PS551154*
Manifold with 1/4 NPT Bottom / End Port	PS551163
Manifold with 1/4 BSPP Bottom / End Port	PS551164*

\* BSPP Conforms to ISO 1179-1 w 228-1 Threads.

Enclosures / Lead Length	
Individually Wired Base	
<b>C</b> <sup>†</sup>	Terminal Strip
Collective Wired Base	
<b>J</b> <sup>*</sup>	Circuit Board, Single Address
<b>M</b> <sup>*</sup>	Circuit Board, Double Address
<b>N</b> <sup>§</sup>	Single Address Circuit Board with 32 Output Expansion
<b>P</b> <sup>‡</sup>	Double Address Circuit Board with 32 Output Expansion

\* Manifolds Only.

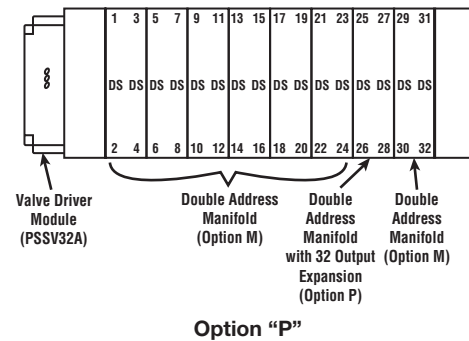
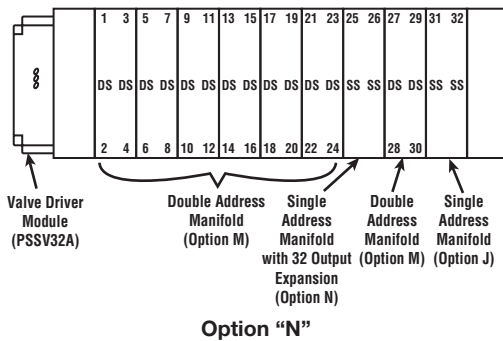
† Available with HA (26mm). Conduit port included on left hand end plate for wires to exit.

§ When using an HA or HB manifold base with the "N" Enclosure / Lead Length option:

- Outputs 1 – 24 can be single or double address bases. Use a base with "J" or "M" Enclosure / Lead Length option.
- Outputs 25 – 26 are a single address base. Use a base with "N" Enclosure / Lead Length option (this is a single address board with a ribbon connection from the valve driver module, PSSV32A).
- Outputs 27 – 32 can be single or double. Use a base with "J" or "M" Enclosure / Lead Length option.

‡ When using an HA or HB manifold base with the "P" Enclosure / Lead Length option:

- Outputs 1 – 24 can be single or double address bases. Use a base with "J" or "M" Enclosure / Lead Length option.
- Outputs 25 – 28 are a double address base. Use a base with "P" Enclosure / Lead Length option (this is a double address board with a ribbon connection from the valve driver module, PSSV32A).
- Outputs 29 – 32 can be single or double. Use a base with "J" or "M" Enclosure / Lead Length option.



Most popular.



For inventory, lead times, and kit lookup, visit [www.pdnplu.com](http://www.pdnplu.com)

D80

**Parker Hannifin Corporation**  
 Pneumatic Division  
 Richland, Michigan  
[www.parker.com/pneumatics](http://www.parker.com/pneumatics)

**D**  
 Subbase & Manual Valves  
 H Series Micro  
 Moduteflex Series  
 H Series ISO  
 Fieldbus Systems  
 DX ISOMAX Series  
 Valvair II Series

**Plug-in, 15407-2, Size 18mm (HB) & 26mm (HA)**

**End Plate Kits**

PS5620L6

0

P

Thread Type	
0	NPT
1*	BSPP "G"

\* BSPP Conforms to ISO 1179-1 w 228-1 Threads

End Plate Type	
PS563101 †	No Connector - Use with Individually Wired Base
PS5620L2*	25-Pin, D-Sub
PS5620L3	19-Pin, Round, Brad Harrison
PS5620L4	12-Pin, M23
PS5620L5	16-Point Terminal Strip
PS5620M2	19-Pin, M23
PS5620M4	Moduflex Fieldbus
PS5620L6	H Series Fieldbus, with Valve Driver Module
PS5620T1	Turck Fieldbus with Valve Driver Module - 16 outputs
PS5620T2	Turck Fieldbus with Valve Driver Module - 32 outputs

\* 120VAC is not CSA rated.

† HA Series only.

Turck, H Series Fieldbus, and Moduflex communication modules must be ordered separately. See Fieldbus Section for more information.

D
Subbase & Manual Valves
H Series Micro
Moduflex Series
H Series ISO
Fieldbus Systems
DX ISOMAX Series
Valvair II Series



For inventory, lead time, and kit lookup, visit [www.pdnplu.com](http://www.pdnplu.com)

**Plug-in, 15407-2, Sandwich Regulators**

**PS5638 1 6 6 P**

Basic Series	
HB	
15407-2, 18mm, Plug-in	PS5638
HA	
15407-2, 26mm, Plug-in	PS5538

#2 Port Regulator / Gauge*	
5	2-60 PSIG w/Gauge
6	5-125 PSIG w/Gauge

\* For Common Pressure Regulator Option, Regulator Gauge callout must be the same number for both Port #4 and Port #2. (Example: 166)

Regulator Function	
Common Pressure Regulator	1
Independent Pressure Regulator	2

#4 Port Regulator / Gauge*	
5	2-60 PSIG w/Gauge
6	5-125 PSIG w/Gauge

\* For Common Pressure Regulator Option, Regulator Gauge callout must be the same number for both Port #4 and Port #2. (Example: 166)

**Ordering Components**

- Sandwich Regulator Kit configured for Internal Pilot as standard.
- Order valve as External Pilot.



**HB - 18mm**  
 (Independent Dual Port Regulator Shown)



**HA - 26mm**  
 (Common Port Regulator Shown)

**How to Configure Sandwich Regulator / Valve Combinations**

**Internal Pilot Configuration of Sandwich Regulator HA, HB**

Pressure in Base Port 1 feeds regulator configured for Internal Pilot which feeds valve configured for External Pilot.

**Sandwich Regulator Cv Flow Chart\***

	Common Pressure Code 166				Dual Pressure Code 266			
	1-2	1-4	2-3	4-5	1-2	1-4	2-3	4-5*
<b>HB</b>	0.20	0.20	0.41	0.34	0.23	0.19	0.28	0.27
<b>HA</b>	0.41	0.43	0.87	0.89	0.42	0.45	0.68	0.66

\* Regulator Port exhaust through Base Port 3.  
 Note: All Cv's calculated with regulator adjusted full open.

**D**  
 Subbase & Manual Valves  
 H Series Micro  
 Modutefx Series  
 H Series ISO  
 Fieldbus Systems  
 DX ISOMAX Series  
 Valvair II Series

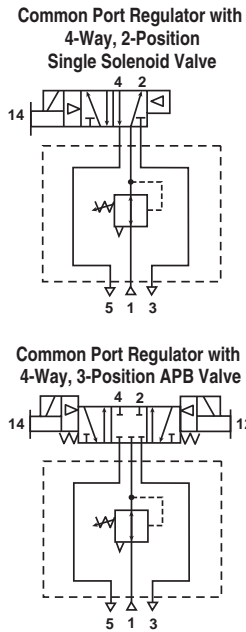


For inventory, lead times, and kit lookup, visit [www.pdnplu.com](http://www.pdnplu.com)

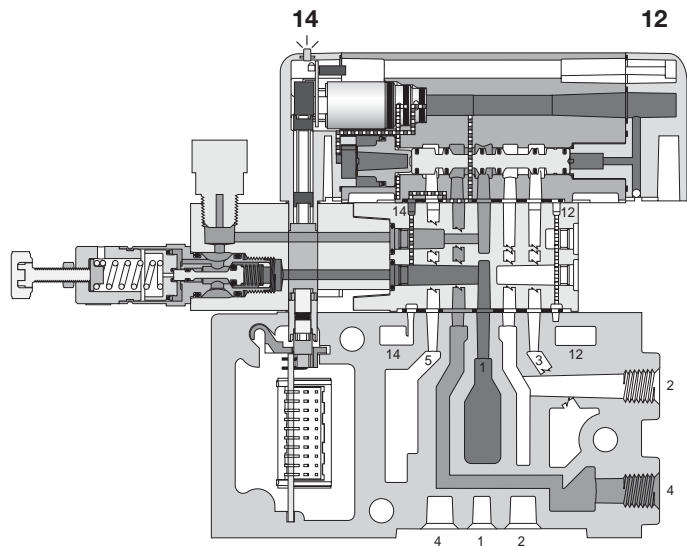


**Plug-in, HB & HA Common Port Regulation**

Provides adjustable regulated air pressure to the valve's #1 port which gives the same pressure to both the #2 and #4 port of the manifold or subbase. The regulator is always on the 14 end of the valve.



**HB Common Port Regulator Shown - Single Solenoid, 14 Energized**

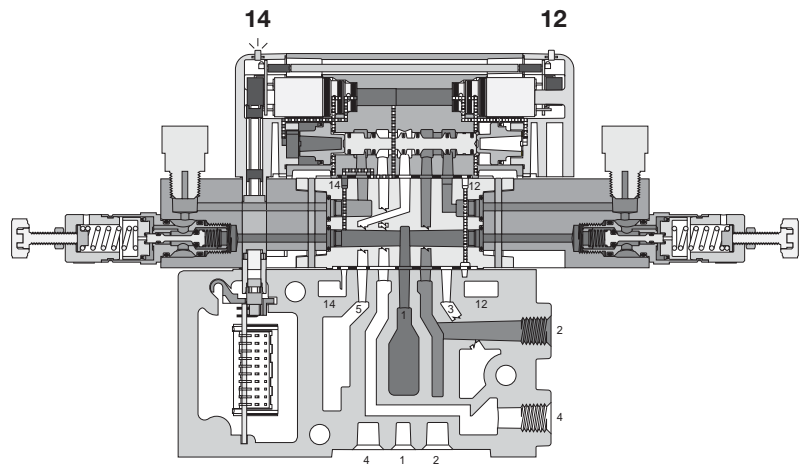
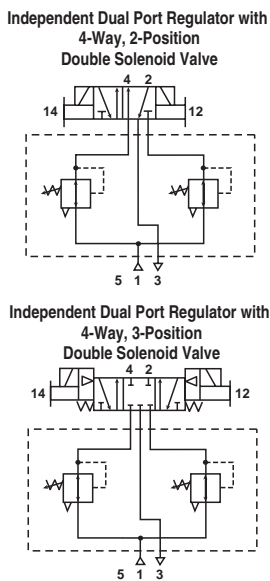


**Plug-in, HB & HA Independent Dual Port Regulation**

**Dual Port Regulator**

Provides regulated pressure to both ports. Pressure regulation can occur out of the #2 or #4 port of the valve.

**HB Independent Dual Port Regulator Shown - Double Solenoid, 14 Energized**



*When using an Independent Pressure Sandwich Regulator, the cylinder outlet ports are reversed. The 12 end energizes the #4 port and the 14 end energizes the #2 port. The 3-Position CE and PC functions are also reversed. (See schematics above.)*



For inventory, lead time, and kit lookup, visit [www.pdnplu.com](http://www.pdnplu.com)

D83

**Parker Hannifin Corporation**  
 Pneumatic Division  
 Richland, Michigan  
[www.parker.com/pneumatics](http://www.parker.com/pneumatics)

**D**

Subbase & Manual Valves

H Series Micro

Moduflex Series

H Series ISO

Fieldbus Systems

DX ISOMAX Series

Valvair II Series

## Ordering Information

## Subbase & Manifold Valve Products H ISO 15407-2, Plug-in, Size 18mm & 26mm

### How To Order Plug-in Add-A-Fold Assemblies

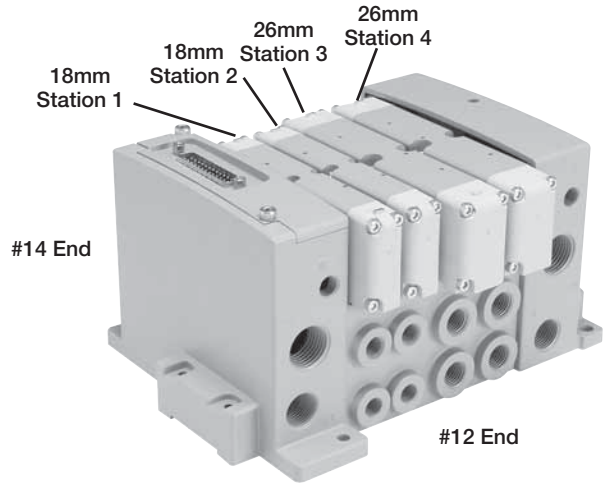
1. List Add-A-Fold Assembly call out. This automatically includes the end plate kit assembly.
2. List complete Valve, Regulator, Flow Control and Base model number. List left to right, LOOKING AT THE CYLINDER PORTS on the #12 end of the manifold. The left most station is station 1. (If a blank station is needed, list the blanking plate part number and the individual manifold number in the station specified.)

### Example

Application requires a 4-Station manifold.  
(Two 18mm + Two 26mm Stations)

Item	Qty.	Part No.	Location
01	1	AAHBD004	
02	1	HB1VXBGOG9A	Station 1
03	1	HB2VXLGOG9A	Station 2
04	1	PS561151MP	Station 1 & 2
05	2	HA1VXBGOG9A	Station 3 & 4
06	1	PS551151MP	Station 3 & 4

**NOTE:** Construct manifold assemblies from left to right while looking at the ports. Valves must be ordered as External Pilot when using Sandwich Regulator.



**Example:**  
4-Station Manifold with (2) 18mm and (2) 26mm Valves on Manifold Bases with 25-pin, D-Sub End Plates

### Maximum Number of Solenoids (Maximum energized simultaneously)

Voltage	Voltage code	19-pin M23 or		Turck				
		25-pin D-sub	Brad Harrison	12-pin M23	Moduflex	H Series 16	32	
24VDC	G9	24 (24)	16 (16)	8 (8)	24 (24)	32 (32)	16 (16)	32 (32)
120VAC*	23	24 (24)	16 (16)	8 (8)	N/A	N/A	N/A	N/A

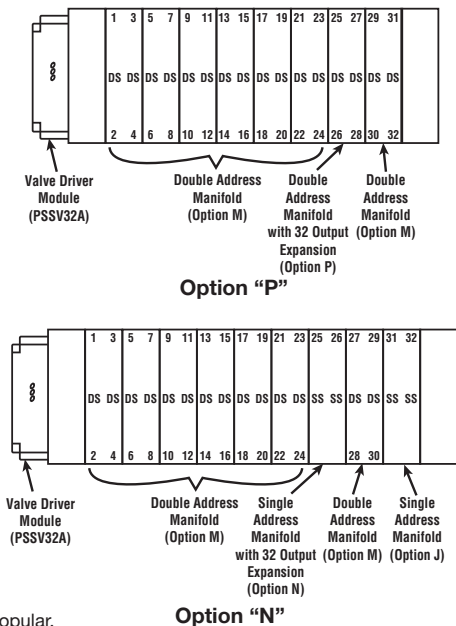
\* Not CSA certified for 25-pin, D-Sub option.

#### When using an HA or HB manifold base with the "N" Enclosure / Lead Length option:

- Outputs 1 – 24 can be single or double address bases. Use a base with "J" or "M" Enclosure / Lead Length option.
- Outputs 25 – 26 are a single address base. Use a base with "N" Enclosure / Lead Length option (this is a single address board with a ribbon connection from the valve driver module, PSSV32A).
- Outputs 27 – 32 can be single or double. Use a base with "J" or "M" Enclosure / Lead Length option.

#### When using an HA or HB manifold base with the "P" Enclosure / Lead Length option:

- Outputs 1 – 24 can be single or double address bases. Use a base with "J" or "M" Enclosure / Lead Length option.
- Outputs 25 – 28 are a double address base. Use a base with "P" Enclosure / Lead Length option (this is a double address board with a ribbon connection from the valve driver module, PSSV32A).
- Outputs 29 – 32 can be single or double. Use a base with "J" or "M" Enclosure / Lead Length option.



Most popular.

### Add-A-Fold Assembly Model Number

<b>AA</b>	<b>HB</b>	<b>D</b>	<b>0</b>	<b>04</b>	
<b>Valve series</b>	<b>Transition Plate</b>				
Right & left end plate 15407-2 (plug-in, HB 18mm & HA 26mm)	Blank No transition plate B HB / HA to H2				
<b>End plate type</b>		<b>Number of stations*</b>			
Turck fieldbus with valve driver module - 16 outputs		02			
Turck fieldbus with valve driver module - 32 outputs		04			
25-pin, D-sub		•			
19-pin, Brad Harrison		24			
16 Point terminal strip		•			
12-pin, M23		32			
19-pin, M23					
Moduflex fieldbus					
H Series Fieldbus, with valve driver module					
<b>Thread type</b>					
0 NPT					
1* BSPP "G"					

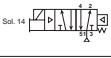

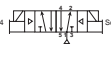
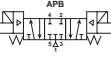
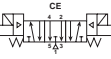
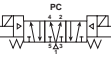
\* Common end plates for HA & HB.  
\* Must be ordered in multiples of (2) unless using the HB / HA to H2 Transition Plate.  
\* Must order communication modules separately.  
\* BSPP conforms to ISO 1179-1 with 228-1 threads.

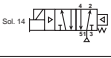

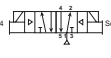
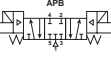
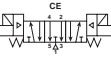
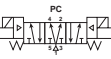


For inventory, lead times, and kit lookup, visit [www.pdnplu.com](http://www.pdnplu.com)


**D**  
 Subbase & Manual  
 Valves  
 H Series  
 Micro  
 Moduflex  
 Series  
 H Series  
 ISO  
 Fieldbus  
 Systems  
 DX ISO MAX  
 Series  
 Valvar II  
 Series

5599-2, Plug-in, Size 1 (H1)


Symbol	Type	Cv	Operator	Voltage	Pilot	Non-locking	Locking
 Sol. 14	4-way, 2-position, spring return	1.5	Single solenoid	24 VDC	Internal	<b>H1EVXBG0B9D</b>	H1EVXBH0B9D
					External	H1EVXXG0B9D	H1EVXXH0B9D
 Sol. 14	4-way, 2-position, air return	1.5	Single solenoid	24 VDC	Internal	<b>H11VXBG0B9D</b>	H11VXBH0B9D
					External	H11VXXG0B9D	H11VXXH0B9D
 Sol. 14 Sol. 12	4-way, 2-position	1.5	Double solenoid	24 VDC	Internal	<b>H12VXBG0B9D</b>	H12VXBH0B9D
					External	H12VXXG0B9D	H12VXXH0B9D
 #14	4-way, 3-position, all ports blocked	1.2	Double solenoid	24 VDC	Internal	<b>H15VXBG0B9D</b>	H15VXBH0B9D
					External	H15VXXG0B9D	H15VXXH0B9D
 #14	4-way, 3-position, center exhaust	1.2	Double solenoid	24 VDC	Internal	<b>H16VXBG0B9D</b>	H16VXBH0B9D
					External	H16VXXG0B9D	H16VXXH0B9D
 #14	4-way, 3-position, pressure center	1.2	Double solenoid	24 VDC	Internal	<b>H17VXBG0B9D</b>	H17VXBH0B9D
					External	H17VXXG0B9D	H17VXXH0B9D

Symbol	Type	Cv	Operator	Voltage	Pilot	Non-locking	Locking
 Sol. 14	4-way, 2-position, spring return	1.5	Single solenoid	120 VAC	Internal	<b>H1EVXBG023D</b>	H1EVXBH023D
					External	H1EVXXG023D	H1EVXXH023D
 Sol. 14	4-way, 2-position, air return	1.5	Single solenoid	120 VAC	Internal	<b>H11VXBG023D</b>	H11VXBH023D
					External	H11VXXG023D	H11VXXH023D
 Sol. 14 Sol. 12	4-way, 2-position	1.5	Double solenoid	120 VAC	Internal	<b>H12VXBG023D</b>	H12VXBH023D
					External	H12VXXG023D	H12VXXH023D
 #14	4-way, 3-position, all ports blocked	1.2	Double solenoid	120 VAC	Internal	<b>H15VXBG023D</b>	H15VXBH023D
					External	H15VXXG023D	H15VXXH023D
 #14	4-way, 3-position, center exhaust	1.2	Double solenoid	120 VAC	Internal	<b>H16VXBG023D</b>	H16VXBH023D
					External	H16VXXG023D	H16VXXH023D
 #14	4-way, 3-position, pressure center	1.2	Double solenoid	120 VAC	Internal	<b>H17VXBG023D</b>	H17VXBH023D
					External	H17VXXG023D	H17VXXH023D

5599-2, Plug-in Single Subbase, Size 1 (H1)

Side ported	Enclosure / Lead length	Solenoid addresses	3/8" NPT	3/8" BSPP
	Terminal strip in base	Double solenoid - 2 address	<b>PS401115CDP</b>	PS401116CDP
	6" flying leads	Double solenoid - 2 addresses	<b>PS401115ADP</b>	PS401116ADP
	4-pin, M12 micro connector in base, SAE / Ford wiring	Double solenoid - 2 addresses	<b>PS4011158FDP</b>	PS4011168FDP

5599-2, Plug-in Manifold Bases, Size 1 (H1)

Bottom / End	Enclosure / Lead length	Solenoid addresses	3/8" NPT	3/8" BSPP
	Circuit board	Single solenoid - 1 address	<b>PS401165JCP</b>	PS401166JCP
	Circuit board	Double solenoid - 2 addresses	<b>PS401165MCP</b>	PS401166MCP
	Terminal strip in base	Double solenoid - 2 address	<b>PS401165CCP</b>	PS401166CCP
	6" flying leads	Double solenoid - 2 addresses	<b>PS401165ACP</b>	PS401166ACP
	4-pin, M12 micro connector in base, SAE / Ford wiring	Double solenoid - 2 addresses	<b>PS4011658FCP</b>	PS4011668FCP

End Ported	Enclosure / Lead length	Solenoid addresses	3/8" NPT	3/8" BSPP
	Circuit board	Single solenoid - 1 address	<b>PS401155JCP</b>	PS401156JCP
	Circuit board	Double solenoid - 2 addresses	<b>PS401155MCP</b>	PS401156MCP
	Terminal strip in base	Double solenoid - 2 address	<b>PS401155CCP</b>	PS401156CCP
	6" flying leads	Double solenoid - 2 addresses	<b>PS401155ACP</b>	PS401156ACP

 Most popular.







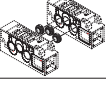

For inventory, lead time, and kit lookup, visit [www.pdnplu.com](http://www.pdnplu.com)

D85








Parker Hannifin Corporation  
Pneumatic Division  
Richland, Michigan  
[www.parker.com/pneumatics](http://www.parker.com/pneumatics)

**D**  
 Subbase & Manual Valves  
 H Series Micro  
 Moduflex Series  
 H Series ISO  
 Fieldbus Systems  
 DX ISOMAX Series  
 Valvair II Series

5599-2, Size 1 (H1) Accessories

Accessory	Description	Part number
	Common pressure 5-125 PSIG w/ gauge	<b>PS4038166CP</b>
	Independent pressure 5-125 PSIG w/ gauge	<b>PS4038266CP</b>
	Blanking plate kit	<b>PS4034CP</b>
	Sandwich flow control	<b>PS4035CP</b>
A Sandwich Flow Control and Common Port Sandwich Regulator may be sandwiched together on a manifold or subbase. The Sandwich Flow Control MUST be located between the manifold/subbase and the Common Port Sandwich Regulator.		
	Manifold to manifold gasket kits	<b>PS4013P</b>
	Main galley (1, 3, 5)	<b>PS4032CP</b>
	Pilot galley	<b>PS4033CP</b>
	1/4" & 3/8" NPT	<b>PS403000CP</b>
	BSPP	<b>PS403001CP</b>
<b>Kit includes:</b> Pilot Port Access Plate, Gasket and Mounting Screws. • Used on H1 Manifolds to provide auxiliary access to Ports 1, 3 & 5. • Port 1: 1/4", Ports 3 & 5: 3/8". Height: .72 Inch		

Plug-in, 5599-2 End Plate Kits, Size 1 (H1)

Electrical option	Description	NPT port	BSPP port
	No connector - use with individually wired base	<b>PS4031010DP</b>	<b>PS4031011DP</b>
	25-pin, D-sub	<b>PS4020L20DP</b>	<b>PS4020L21DP</b>
	19-pin, round, Brad Harrison	<b>PS4020L30DP</b>	<b>PS4020L31DP</b>
	12-pin, M23	<b>PS4020L40DP</b>	<b>PS4020L41DP</b>
	19-pin, M23	<b>PS4020M20DP</b>	<b>PS4020M21DP</b>
	Moduflex fieldbus	<b>PS4020M40DP</b>	<b>PS4020M41DP</b>
	H Series Fieldbus, with valve driver module	<b>PS4020L60DP</b>	<b>PS4020L61DP</b>
	Turck fieldbus with valve driver module - 16 outputs	<b>PS4020T10DP</b>	<b>PS4020T11DP</b>
	Turck fieldbus with valve driver module - 24 outputs	<b>PS4020T20DP</b>	<b>PS4020T21DP</b>

Turck, H Series Fieldbus, and Moduflex communication modules must be ordered separately. See Fieldbus Section for more information.

**Note:**  
For cable part numbers and pin out information see Fieldbus System Accessories.

 Most popular.



For inventory, lead times, and kit lookup, visit [www.pdnplu.com](http://www.pdnplu.com)

D86

**Parker Hannifin Corporation**  
Pneumatic Division  
Richland, Michigan  
[www.parker.com/pneumatics](http://www.parker.com/pneumatics)

**D**  
 Subbase & Manual Valves  
 H Series Micro  
 Moduflex Series  
 H Series ISO  
 Fieldbus Systems  
 DX ISOMAX Series  
 Valvair II Series

**How To Order Plug-in Add-A-Fold Assemblies**

1. List Add-A-Fold Assembly call out. This automatically includes the end plate kit assembly.
2. List complete Valve, Regulator, Flow Control and Base model number. List left to right, LOOKING AT THE CYLINDER PORTS on the #12 end of the manifold. The left most station is station 1. (If a blank station is needed, list the blanking plate part number and the individual manifold number in the station specified.)

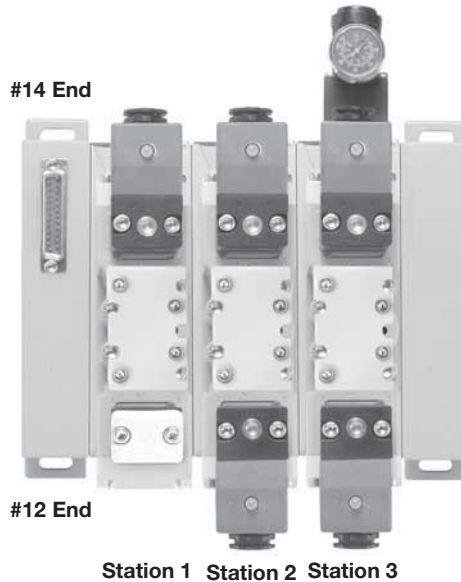
**Example**

Application requires a 3-Station manifold with a valve, regulator on Station 3.

Item	Qty.	Part No.	Location
01	1	AAH1D003	
02	1	H11VXBG0B9D	Station 1
03	1	PS401155MCP	Station 1
04	1	H12VXBG0B9D	Station 2
05	1	PS401155MCP	Station 2
06	1	H12VXXG0B9D	Station 3
07	1	PS4038166CP	Station 3
08	1	PS401155MCP	Station 3

**NOTE:**

Construct manifold assemblies from left to right while looking at the cylinder ports. Valves must be ordered as External Pilot when using Sandwich Regulator.



**Example:  
 3-Station Manifold with (3) H1 Valves  
 and Regulator at Station 3**

**Maximum Number of Solenoids  
 (Maximum energized simultaneously)**

Voltage	Voltage code	25-pin D-sub	19-pin M23 or		Turck			
			Brad Harrison	12-pin M23	Moduflex	H Series 16 Fieldbus Outputs	32 Outputs	32 Outputs
24VDC	G9	24 (24)	16 (16)	8 (8)	24 (24)†	24 (21)	16 (16)	24 (21)
120VAC*	23	24 (24)	16 (16)	8 (8)	N/A	N/A	N/A	N/A

\* Not CSA certified for 25-pin, D-sub option.

† Use Type A IO-Link module for 24 outputs simultaneously.

**Add-A-Fold Assembly Model Numbers**

<b>AA</b>	<b>H1</b>	<b>D</b>	<b>0</b>	<b>03</b>	<b> </b>
<b>Valve series</b> Right & left end plate H1					<b>Transition Plate</b> Blank No transition plate C H1 to H2 D H1 to H3
<b>End plate type</b> Turck fieldbus with valve driver module - 16 outputs A* Turck fieldbus with valve driver module - 32 outputs B* 25-pin, D-sub D 19-pin, Brad harrison E 12-pin, M23 G 19-pin, M23 H Standard, non-collective wiring S Moduflex fieldbus T* H series fieldbus, with valve driver module X*				<b>Number of stations</b> 01 02 03 04 • • 24	
				<b>Thread type</b> 0 NPT 1* BSPP "G"	

\* Must order communication modules separately.

\* BSPP conforms to ISO 1179-1 w 228-1 threads.

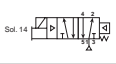
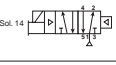
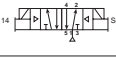
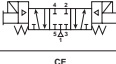
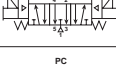

Most popular.

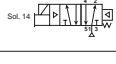
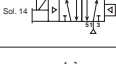
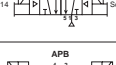
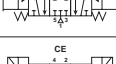
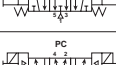
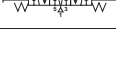


For inventory, lead time, and kit lookup, visit [www.pdnplu.com](http://www.pdnplu.com)




5599-2, Plug-in, Size 2 (H2)


Symbol	Type	Cv	Operator	Voltage	Pilot	Non-locking	Locking
	4-way, 2-position, spring return	3.0	Single solenoid	24 VDC	Internal	<b>H2EVXBG0B9D</b>	<b>H2EVXBH0B9D</b>
					External	<b>H2EVXXG0B9D</b>	<b>H2EVXXH0B9D</b>
	4-way, 2-position, air return	3.0	Single solenoid	24 VDC	Internal	<b>H21VXBG0B9D</b>	<b>H21VXBH0B9D</b>
					External	<b>H21VXXG0B9D</b>	<b>H21VXXH0B9D</b>
	4-way, 2-position	3.0	Double solenoid	24 VDC	Internal	<b>H22VXBG0B9D</b>	<b>H22VXBH0B9D</b>
					External	<b>H22VXXG0B9D</b>	<b>H22VXXH0B9D</b>
	4-way, 3-position, all ports blocked	2.8	Double solenoid	24 VDC	Internal	<b>H25VXBG0B9D</b>	<b>H25VXBH0B9D</b>
					External	<b>H25VXXG0B9D</b>	<b>H25VXXH0B9D</b>
	4-way, 3-position, center exhaust	2.8	Double solenoid	24 VDC	Internal	<b>H26VXBG0B9D</b>	<b>H26VXBH0B9D</b>
					External	<b>H26VXXG0B9D</b>	<b>H26VXXH0B9D</b>
	4-way, 3-position, pressure center	2.8	Double solenoid	24 VDC	Internal	<b>H27VXBG0B9D</b>	<b>H27VXBH0B9D</b>
					External	<b>H27VXXG0B9D</b>	<b>H27VXXH0B9D</b>

Symbol	Type	Cv	Operator	Voltage	Pilot	Non-locking	Locking
	4-way, 2-position, spring return	3.0	Single solenoid	120 VAC	Internal	<b>H2EVXBG023D</b>	<b>H2EVXBH023D</b>
					External	<b>H2EVXXG023D</b>	<b>H2EVXXH023D</b>
	4-way, 2-position, air return	3.0	Single solenoid	120 VAC	Internal	<b>H21VXBG023D</b>	<b>H21VXBH023D</b>
					External	<b>H21VXXG023D</b>	<b>H21VXXH023D</b>
	4-way, 2-position	3.0	Double solenoid	120 VAC	Internal	<b>H22VXBG023D</b>	<b>H22VXBH023D</b>
					External	<b>H22VXXG023D</b>	<b>H22VXXH023D</b>
	4-way, 3-position, all ports blocked	2.8	Double solenoid	120 VAC	Internal	<b>H25VXBG023D</b>	<b>H25VXBH023D</b>
					External	<b>H25VXXG023D</b>	<b>H25VXXH023D</b>
	4-way, 3-position, center exhaust	2.8	Double solenoid	120 VAC	Internal	<b>H26VXBG023D</b>	<b>H26VXBH023D</b>
					External	<b>H26VXXG023D</b>	<b>H26VXXH023D</b>
	4-way, 3-position, pressure center	2.8	Double solenoid	120 VAC	Internal	<b>H27VXBG023D</b>	<b>H27VXBH023D</b>
					External	<b>H27VXXG023D</b>	<b>H27VXXH023D</b>

5599-2, Plug-in Single Subbase, Size 2 (H2)

Side ported base	Enclosure / Lead length	Solenoid addresses	1/2" NPT	1/2" BSPP
	Terminal strip in base	Double solenoid - 2 address	<b>PS411117CCP</b>	<b>PS411118CCP</b>
	6" flying leads	Double solenoid - 2 addresses	<b>PS411117ACP</b>	<b>PS411118ACP</b>

5599-2, Plug-in Manifold Bases, Size 2 (H2)

Bottom / End ported bases	Enclosure / Lead length	Solenoid addresses	1/2" NPT	1/2" BSPP
	Circuit board	Single solenoid - 1 address	<b>PS411167JCP</b>	<b>PS411168JCP</b>
	Circuit board	Double solenoid - 2 addresses	<b>PS411167MCP</b>	<b>PS411168MCP</b>
	Terminal strip in base	Double solenoid - 2 address	<b>PS411167CCP</b>	<b>PS411168CCP</b>
	6" flying leads	Double solenoid - 2 addresses	<b>PS411167ACP</b>	<b>PS411168ACP</b>
End Ported	Enclosure / Lead length	Solenoid addresses	1/2" NPT	1/2" BSPP
	Circuit board	Single solenoid - 1 address	<b>PS411157JCP</b>	<b>PS411158JCP</b>
	Circuit board	Double solenoid - 2 addresses	<b>PS411157MCP</b>	<b>PS411158MCP</b>
	Terminal strip in base	Double solenoid - 2 address	<b>PS411157CCP</b>	<b>PS411158CCP</b>
	6" flying leads	Double solenoid - 2 addresses	<b>PS411157ACP</b>	<b>PS411158ACP</b>

 Most popular.



For inventory, lead times, and kit lookup, visit [www.pdnplu.com](http://www.pdnplu.com)





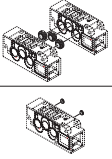
D88

Parker Hannifin Corporation  
Pneumatic Division  
Richland, Michigan  
[www.parker.com/pneumatics](http://www.parker.com/pneumatics)








**D**  
 Subbase & Manual Valves  
 H Series Micro  
 Modulflex Series  
 H Series ISO  
 Fieldbus Systems  
 DX ISOMAX Series  
 Valvair II Series



**5599-2, Size 2 (H2) Accessories**

Accessory	Description	Part number
	Common pressure 5-125 PSIG w/ gauge	<b>PS4138166CP</b>
	Independent pressure 5-125 PSIG w/ gauge	<b>PS4138266CP</b>
	Blanking plate kit	<b>PS4134CP</b>
	Sandwich flow control	<b>PS4135CP</b>
	A Sandwich Flow Control and Common Port Sandwich Regulator may be sandwiched together on a manifold or subbase. The Sandwich Flow Control MUST be located between the manifold/subbase and the Common Port Sandwich Regulator.	
	Manifold to manifold gasket kits	<b>PS4113P</b>
	Main galley (1, 3, 5)	<b>PS4132CP</b>
	Pilot galley	<b>PS4033CP</b>

**Plug-in, 5599-2 End Plate Kits, Size 2 (H2)**

Electrical option	Description	NPT port	BSPP port
	No connector - use with individually wired base	<b>PS4131010DP</b>	<b>PS4131011DP</b>
	25-pin, D-sub	<b>PS4120L20DP</b>	<b>PS4120L21DP</b>
	19-pin, round, Brad Harrison	<b>PS4120L30DP</b>	<b>PS4120L31DP</b>
	12-pin, M23	<b>PS4120L40DP</b>	<b>PS4120L41DP</b>
	19-pin, M23	<b>PS4120M20DP</b>	<b>PS4120M21DP</b>
	Moduflex fieldbus	<b>PS4120M40DP</b>	<b>PS4120M41DP</b>
	H Series Fieldbus, with valve driver module	<b>PS4120L60DP</b>	<b>PS4120L61DP</b>
	Turck fieldbus with valve driver module - 16 outputs	<b>PS4120T10DP</b>	<b>PS4120T11DP</b>
	Turck fieldbus with valve driver module - 24 outputs	<b>PS4120T20DP</b>	<b>PS4120T21DP</b>

Turck, H Series Fieldbus, and Moduflex communication modules must be ordered separately. See Fieldbus Section for more information.

**Note:**  
For cable part numbers and pin out information see Fieldbus System Accessories.

 Most popular.



For inventory, lead time, and kit lookup, visit [www.pdnplu.com](http://www.pdnplu.com)

**Ordering Information**

**How To Order Plug-in Add-A-Fold Assemblies**

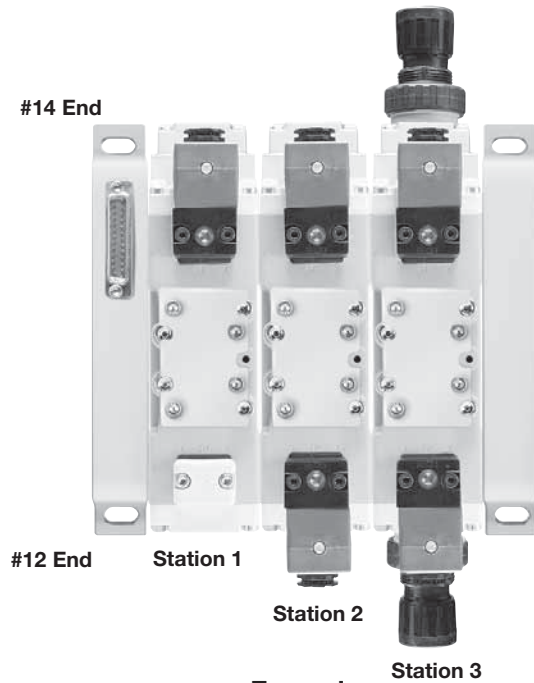
1. List Add-A-Fold Assembly call out. This automatically includes the end plate kit assembly.
2. List complete Valve, Regulator, Flow Control and Base model number. List left to right, LOOKING AT THE CYLINDER PORTS on the #12 end of the manifold. The left most station is station 1. (If a blank station is needed, list the blanking plate part number and the individual manifold number in the station specified.)

**Example**

Application requires a 3-Station manifold with a valve and regulator on Station 3.

Item	Qty.	Part No.	Location
01	1	AAH2D003	
02	1	H21VXBG0B9D.....	Station 1
03	1	PS411157MCP.....	Station 1
04	1	H22VXBG0B9D.....	Station 2
05	1	PS411157MCP.....	Station 2
06	1	H22VXXG0B9D.....	Station 3
07	1	PS4138166CP.....	Station 3
08	1	PS411157MCP.....	Station 3

**NOTE:** Construct manifold assemblies from left to right while looking at the cylinder ports.  
Valves must be ordered as External Pilot when using Sandwich Regulator.



**Example:**  
3-Station Manifold with (3) H2 Valves  
on Manifold Bases and Regulator at Station 3

**Maximum Number of Solenoids  
(Maximum energized simultaneously)**

Voltage	Voltage code	25-pin D-sub	19-pin M23 or		Turck			
			Brad Harrison	12-pin M23	H Series 16	32	Fieldbus Outputs	32
24VDC	G9	24 (24)	16 (16)	8 (8)	24 (24) <sup>†</sup>	24 (21)	16 (16)	24 (21)
120VAC*	23	24 (24)	16 (16)	8 (8)	N/A	N/A	N/A	N/A

\* Not CSA certified for 25-pin, D-Sub option.

<sup>†</sup> Use Type A IO-Link module for 24 outputs simultaneously.

**Add-A-Fold Assembly Model Numbers**

**AA H2 D 0 03**

<b>Valve series</b>	<b>Transition Plate</b>
Right & left end plate H2	Blank No transition plate
Right & left end plate H3	E ‡ H2 to H3
	‡ Must specify valve series H3.
<b>End plate type</b>	<b>Number of stations</b>
Turck fieldbus with valve driver module - 16 outputs A*	01
Turck fieldbus with valve driver module - 32 outputs B*	02
25-pin, D-sub D <sup>†</sup>	03
19-pin, brad harrison E <sup>†</sup>	04
12-pin, M23 G <sup>†</sup>	•
19-pin, M23 H <sup>†</sup>	•
Standard, non-collective wiring S	24
Moduflex fieldbus T*	
H Series Fieldbus, with valve driver module Y*	
	<b>Thread type</b>
	0 NPT
	1* BSPP "G"

\* Must order communication modules separately.

<sup>†</sup> Collective wiring module included.

\* BSPP conforms to ISO 1179-1 w 228-1 threads.

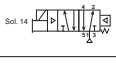

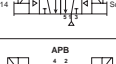

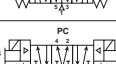

**D**  
 Subbase & Manual Valves  
 H Series Micro  
 Moduflex Series  
 H Series ISO  
 Fieldbus Systems  
 DX ISOMAX Series  
 Valvair II Series

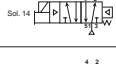
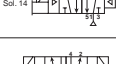

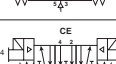
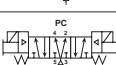

Most popular.




For inventory, lead times, and kit lookup, visit [www.pdnplu.com](http://www.pdnplu.com)

5599-2, Plug-in, Size 3 (H3)


Symbol	Type	Cv	Operator	Voltage	Pilot	Non-locking	Locking
	4-way, 2-position, spring return	6.0	Single solenoid	24 VDC	Internal	<b>H3EVXBG0B9D</b>	H3EVXBH0B9D
					External	H3EVXXG0B9D	H3EVXXH0B9D
	4-way, 2-position, air return	6.0	Single solenoid	24 VDC	Internal	<b>H31VXBG0B9D</b>	H31VXBH0B9D
					External	H31VXXG0B9D	H31VXXH0B9D
	4-way, 2-position	6.0	Double solenoid	24 VDC	Internal	<b>H32VXBG0B9D</b>	H32VXBH0B9D
					External	H32VXXG0B9D	H32VXXH0B9D
	4-way, 3-position, all ports blocked	5.0	Double solenoid	24 VDC	Internal	<b>H35VXBG0B9D</b>	H35VXBH0B9D
					External	H35VXXG0B9D	H35VXXH0B9D
	4-way, 3-position, center exhaust	5.0	Double solenoid	24 VDC	Internal	<b>H36VXBG0B9D</b>	H36VXBH0B9D
					External	H36VXXG0B9D	H36VXXH0B9D
	4-way, 3-position, pressure center	5.0	Double solenoid	24 VDC	Internal	<b>H37VXBG0B9D</b>	H37VXBH0B9D
					External	H37VXXG0B9D	H37VXXH0B9D

Symbol	Type	Cv	Operator	Voltage	Pilot	Non-locking	Locking
	4-way, 2-position, spring return	6.0	Single solenoid	120 VAC	Internal	<b>H3EVXBG023D</b>	H3EVXBH023D
					External	H3EVXXG023D	H3EVXXH023D
	4-way, 2-position, air return	6.0	Single solenoid	120 VAC	Internal	<b>H31VXBG023D</b>	H31VXBH023D
					External	H31VXXG023D	H31VXXH023D
	4-way, 2-position	6.0	Double solenoid	120 VAC	Internal	<b>H32VXBG023D</b>	H32VXBH023D
					External	H32VXXG023D	H32VXXH023D
	4-way, 3-position, all ports blocked	5.0	Double solenoid	120 VAC	Internal	<b>H35VXBG023D</b>	H35VXBH023D
					External	H35VXXG023D	H35VXXH023D
	4-way, 3-position, center exhaust	5.0	Double solenoid	120 VAC	Internal	<b>H36VXBG023D</b>	H36VXBH023D
					External	H36VXXG023D	H36VXXH023D
	4-way, 3-position, pressure center	5.0	Double solenoid	120 VAC	Internal	<b>H37VXBG023D</b>	H37VXBH023D
					External	H37VXXG023D	H37VXXH023D

5599-2, Plug-in Single Subbase, Size 3 (H3)

Side ported base	Enclosure / Lead length	Solenoid addresses	3/4" NPT	3/4" BSPP
	Terminal strip in base	Double solenoid - 2 address	<b>PS421119CCP</b>	PS401110CCP
	6" flying leads	Double solenoid - 2 addresses	<b>PS421119ACP</b>	PS421110ACP

5599-2, Plug-in Manifold Bases, Size 3 (H3)

Bottom / End ported bases	Enclosure / Lead length	Solenoid addresses	3/4" NPT	3/4" BSPP
	Circuit board	Single solenoid - 1 address	<b>PS421169JDP</b>	PS421160JDP
	Circuit board	Double solenoid - 2 addresses	<b>PS421169MCP</b>	PS421160MCP
	Terminal strip in base	Double solenoid - 2 address	<b>PS421169CCP</b>	PS421160CCP
	6" flying leads	Double solenoid - 2 addresses	<b>PS421169ACP</b>	PS421160ACP
End Ported	Circuit board	Single solenoid - 1 address	<b>PS421159JCP</b>	PS421150JCP
	Circuit board	Double solenoid - 2 addresses	<b>PS421159MCP</b>	PS421150MCP
	Terminal strip in base	Double solenoid - 2 address	<b>PS421159CCP</b>	PS421150CCP
	6" flying leads	Double solenoid - 2 addresses	<b>PS421159ACP</b>	PS421150ACP

 Most popular.



For inventory, lead time, and kit lookup, visit [www.pdnpnu.com](http://www.pdnpnu.com)

D91

Parker Hannifin Corporation  
Pneumatic Division  
Richland, Michigan  
[www.parker.com/pneumatics](http://www.parker.com/pneumatics)

D

Subbase & Manual Valves

H Series Micro

Moduflex Series





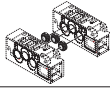
H Series ISO

Fieldbus Systems








DX ISOMAX Series

Valvair II Series

5599-2, Size 3 (H3) Accessories

Accessory	Description	Part number
 Sandwich regulator	Common pressure 5-125 PSIG w/ gauge	<b>PS4238166CP</b>
	Independent pressure 5-125 PSIG w/ gauge	<b>PS4238266CP</b>
 Blanking plate kit		<b>PS4234CP</b>
 Sandwich flow control	A Sandwich Flow Control and Common Port Sandwich Regulator may be sandwiched together on a manifold or subbase. The Sandwich Flow Control MUST be located between the manifold/subbase and the Common Port Sandwich Regulator.	<b>PS4235CP</b>
 Manifold to manifold gasket kits		<b>PS4213P</b>
 Manifold port isolation kit	Main galley (1, 3, 5)	<b>PS4232CP</b>
	Pilot galley	<b>PS4033CP</b>

Plug-in, 5599-2 End Plate Kits, Size 3 (H3)

Electrical option	NPT port	BSPP port
 No connector - use with individually wired base	<b>PS4231010DP</b>	<b>PS4231011DP</b>
 25-pin, D-sub	<b>PS4220L20DP</b>	<b>PS4220L21DP</b>
 19-pin, round, Brad Harrison	<b>PS4220L30DP</b>	<b>PS4220L31DP</b>
 12-pin, M23	<b>PS4220L40DP</b>	<b>PS4220L41DP</b>
	19-pin, M23	<b>PS4220M20DP</b>
 Moduflex fieldbus	<b>PS4220M40DP</b>	<b>PS4220M41DP</b>
 H Series Fieldbus, with valve driver module	<b>PS4220L60DP</b>	<b>PS4220L61DP</b>
 Turck fieldbus with valve driver module - 16 outputs	<b>PS4220T10DP</b>	<b>PS4220T11DP</b>
	Turck fieldbus with valve driver module - 24 outputs	<b>PS4220T20DP</b>

Turck, H Series Fieldbus, and Moduflex communication modules must be ordered separately. See Fieldbus Section for more information.

**Note:**

For cable part numbers and pin out information see Fieldbus System Accessories.

 Most popular.



For inventory, lead times, and kit lookup, visit [www.pdnplu.com](http://www.pdnplu.com)

**D**  
 Subbase & Manual Valves  
 H Series Micro  
 Moduflex Series  
 H Series ISO  
 Fieldbus Systems  
 DX ISOMAX Series  
 Valvair II Series

**How To Order Plug-in Add-A-Fold Assemblies**

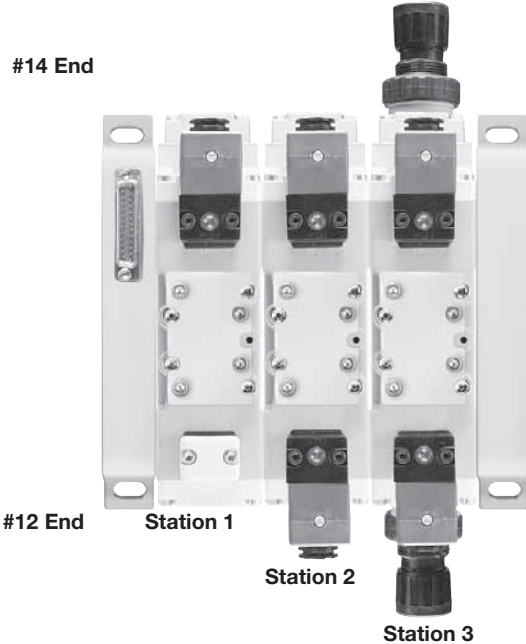
1. List Add-A-Fold Assembly call out. This automatically includes the end plate kit assembly.
2. List complete Valve, Regulator, Flow Control and Base model number. List left to right, LOOKING AT THE CYLINDER PORTS on the #12 end of the manifold. The left most station is station 1. (If a blank station is needed, list the blanking plate part number and the individual manifold number in the station specified.)

**Example**

Application requires a 3-Station manifold with a valve and regulator on Station 3.

Item	Qty.	Part No.	Location
01	1	AAH3D003	
02	1	H31VXBG0B9D.....	Station 1
03	1	PS421159MCP.....	Station 1
04	1	H32VXBG0B9D.....	Station 2
05	1	PS421159MCP.....	Station 2
06	1	H32VXXG0B9D.....	Station 3
07	1	PS4238166CP.....	Station 3
08	1	PS421159MCP.....	Station 3

**NOTE:** Construct manifold assemblies from left to right while looking at the cylinder ports.  
 Valves must be ordered as External Pilot when using Sandwich Regulator.



**Example:**  
**3-Station Manifold with (3) H3 Valves on Manifold Bases and Regulator at Station 3**

**Maximum Number of Solenoids (Maximum energized simultaneously)**

Voltage	Voltage code	19-pin M23 or		12-pin M23	Moduflex	Turck		
		25-pin D-sub	Brad Harrison			H Series 16	32	
24VDC	G9	24 (24)	16 (16)	8 (8)	24 (24) <sup>†</sup>	24 (21)	16 (16)	24 (21)
120VAC*	23	24 (24)	16 (16)	8 (8)	N/A	N/A	N/A	N/A

\* Not CSA certified for 25-pin, D-Sub option.  
<sup>†</sup> Use Type A IO-Link module for 24 outputs simultaneously.

**Add-A-Fold Assembly Model Numbers**

**AA H3 D 0 03**

**Valve series**  
 Right & left end plate H3

**End plate type**

Turck fieldbus with valve driver module - 16 outputs	A*
Turck fieldbus with valve driver module - 32 outputs	B*
25-pin, D-sub	D <sup>†</sup>
19-pin, brad harrison	E <sup>†</sup>
12-pin, M23	G <sup>†</sup>
19-pin, M23	H <sup>†</sup>
Standard, non-collective wiring	S
Moduflex fieldbus	T*
H Series Fieldbus, with valve driver module	Y*

**Number of stations**

01
02
03
04
•
•
24

**Thread type**

0	NPT
1*	BSPG "G"

\* BSPG Conforms to ISO 1179-1 w 228-1 Threads.

Most popular.



For inventory, lead time, and kit lookup, visit [www.pdnplu.com](http://www.pdnplu.com)

**D**

Subbase & Manual Valves

H Series Micro

Moduflex Series

H Series ISO

Fieldbus Systems

DX ISOMAX Series

Valvair II Series

**Plug-in, 5599-2, Size 1, 2, & 3**

**H1 E VX B G O B9 D**

Basic series 5599-2	
ISO 5599-2 Size 1	H1
ISO 5599-2 Size 2	H2
ISO 5599-2 Size 3	H3

5599-2 Engineering level	
D	Current

5599-2 Operator / Function	
Single solenoid, 2-position - air return	1
Double solenoid, 2-position	2
Double solenoid, 3-position - APB	5
Double solenoid, 3-position - CE	6
Double solenoid, 3-position - PC	7
Single solenoid, 2-position - air return, spring assist	E

5599-2 Voltage & Frequency				
	AC		DC	Light & surge suppression
	60Hz	50Hz		
42	24			
45			12	
<b>B9</b>			<b>24</b>	<b>LED &amp; suppression</b>
<b>23</b>	<b>120</b>	<b>115</b>		<b>LED &amp; suppression</b>
57	240			

5599-2 Mounting	
5599-2 Valve less vase	VX

5599-2 Enclosure / Lead length	
0	None, valve less base

5599-2 Pilot source / Pilot exhaust	
Internal pilot, port #1 / vented	B
External pilot, port #12 or #14 / vented	X*

\* Must be specified when using Sandwich Regulators.

5599-2 Overrides / Lights		
	Voltage code	
<b>B</b>	<b>42, 45, 57</b>	<b>Non-locking, flush, push - w/o light</b>
<b>C</b>	<b>42, 45, 57</b>	<b>Locking, flush, push / turn - w/o light</b>
<b>G</b>	<b>B9, 23</b>	<b>Non-locking, flush, push - w/ light</b>
<b>H</b>	<b>B9, 23</b>	<b>Locking, flush, push / turn - w/ light</b>

**D**

Subbase & Manual Valves

H Series Micro

Modulflex Series

H Series ISO

Fieldbus Systems

DX ISOMAX Series

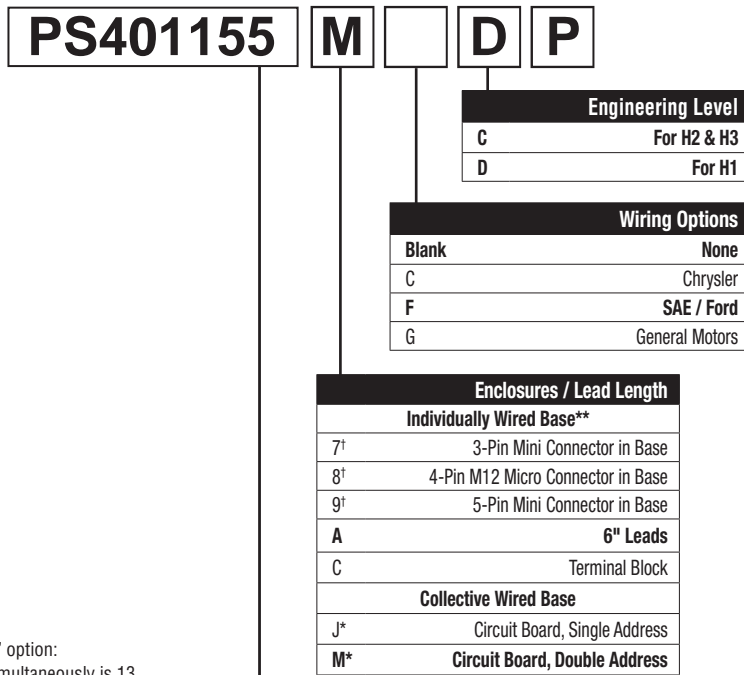
Valvair II Series



For inventory, lead times, and kit lookup, visit [www.pdnplu.com](http://www.pdnplu.com)



**Plug-in, 5599-2, Size 1, 2 & 3 Manifold / Subbase Kits**



**Note:**  
 When using the Enclosure / Lead Length "J" or "M" option:  
 12VDC - Maximum number of coils energized simultaneously is 13  
 24VDC - Maximum number of coils energized simultaneously is 21  
 120VAC - Coils limited by the number of pins available in the connector  
 (25-Pin D-Sub = 24 coils, 19-Pin Brad Harrison = 16, 12-Pin M23 = 8)  
 240VAC - Must use "A" or "C" Option, Lead Wires or Terminal Blocks

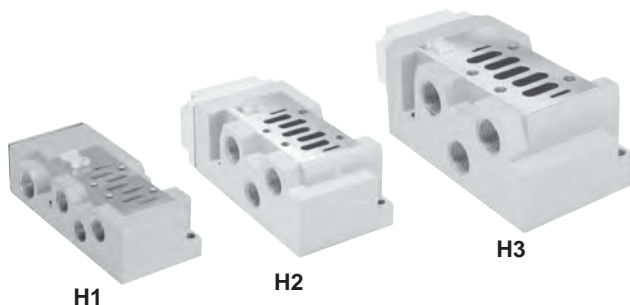
\* Not Available with Subbase Kits.  
 \*\* Use Plate with No Connection.  
 † Must Specify Valve Auto Wiring Option "C", "F", or "G".

Mounting Base Style / Port Size		ISO 5599-2, Size 1 H1 Series		ISO 5599-2, Size 2 H2 Series		ISO 5599-2, Size 3 H3 Series	
Subbase: 3/8 NPT Side Ports	PS401115	Subbase: 1/2 NPT Side Ports	PS411117	Subbase: 3/4 NPT Side Ports	PS421119	Subbase: 3/8 BSPP Side Ports	PS401116
Subbase: 3/8 BSPP Side Ports	PS401116	Subbase: 1/2 BSPP Side Ports	PS411118*	Subbase: 3/4 BSPP Side Port	PS421110*	Manifold: 3/8 NPT End Ports	PS401155
Manifold: 3/8 NPT End Ports	PS401155	Manifold: 1/2 NPT End Port	PS411157	Manifold: 3/4 NPT End Port	PS421159	Manifold: 3/8 BSPP End Ports	PS401156*
Manifold: 3/8 BSPP End Ports	PS401156*	Manifold: 1/2 BSPP End Ports	PS411158*	Manifold: 3/4 BSPP End Port	PS421150*	Manifold: 3/8 NPT Bottom / End Port	PS401165†
Manifold: 3/8 NPT Bottom / End Port	PS401165†	Manifold: 1/2 NPT Bottom / End Port	PS411167	Manifold: 3/4 NPT Bottom / End Port	PS421169	Manifold: 3/8 BSPP Bottom / End Port	PS401166*†
Manifold: 3/8 BSPP Bottom / End Port	PS401166*†	Manifold: 1/2 BSPP Bottom / End Port	PS411168*	Manifold: 3/4 BSPP Bottom / End Port	PS421160*		

\* BSPP Conforms to ISO 1179-1 w 228-1 Threads.  
 † #1 Bottom Port - 1/4".

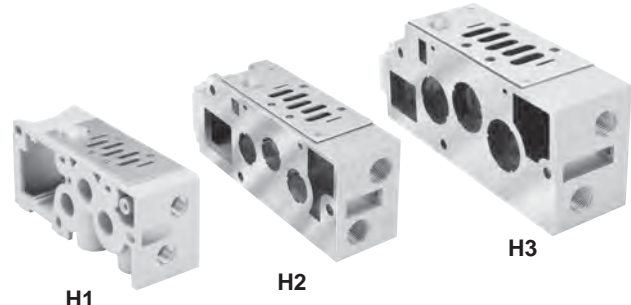
**Subbase Kits**

**Manifold Kits**



**Automotive Connectors**

- Mounted in 1/2" Conduit Port
- 3-Pin - Wired for Single Solenoid
  - 4-Pin / 5-Pin - Wired for Double Solenoid



**Automotive Connectors**

- Mounted in Individual Manifold Conduit Cover
- 3-Pin - Wired for Single Solenoid
  - 4-Pin / 5-Pin - Wired for Double Solenoid



For inventory, lead time, and kit lookup, visit [www.pdnplu.com](http://www.pdnplu.com)

D95

**Parker Hannifin Corporation**  
 Pneumatic Division  
 Richland, Michigan  
[www.parker.com/pneumatics](http://www.parker.com/pneumatics)

**D**

Subbase & Manual Valves

H Series Micro

Modulflex Series

H Series ISO

Fieldbus Systems

DX ISOMAX Series

Valvair II Series

**Plug-in, 5599-2 End Plate Kits**

**PS40 20L2 0 D P**

Basic Series	
ISO 5599, Size 1	PS40
ISO 5599, Size 2	PS41
ISO 5599, Size 3	PS42

Engineering Level	
D	Current

Thread Type	
0	NPT
1*	BSPG "G"

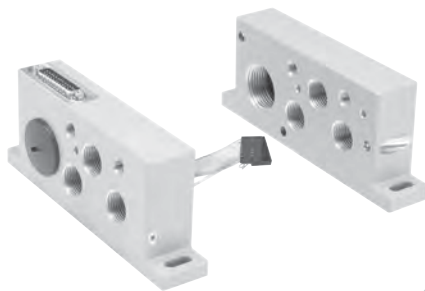
\* BSPP Conforms to ISO 1179-1 w 228-1 Threads

Options †	
25-Pin, D-Sub	20L2*
19-Pin, Round, Brad Harrison	20L3
12-Pin, M23	20L4
19-Pin, M23	20M2
Moduflex Fieldbus	20M4
H Series Fieldbus, with Valve Driver Module	20L6
Turck Fieldbus with Valve Driver Module - 16 Outputs	20T1
Turck Fieldbus with Valve Driver Module - 24 Outputs	20T2

\* 120VAC is Not CSA Rated.

† Manifold bases must have a circuit board.

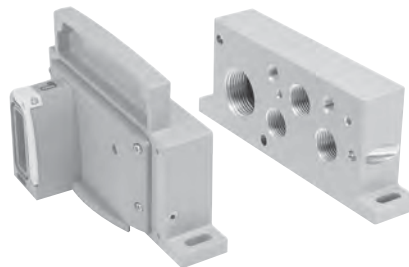
Turck, H Series Fieldbus, and Moduflex communication modules must be ordered separately. See Fieldbus Section for more information.



**L2: H1 25-Pin D-Sub End Plates**



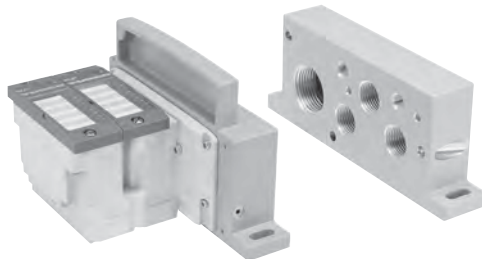
**L4 or M2: H1, M23, 12-Pin or 19-Pin End Plates**



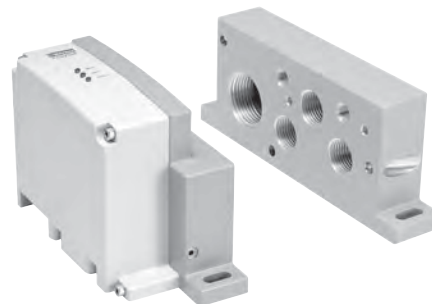
**M4: H1 Moduflex Fieldbus End Plates**



**L3: H1 19-Pin Brad Harrison End Plates**



**T1, T2: Turck Fieldbus with Valve Driver Module End Plates**



**L6: H1 H Series Fieldbus End Plates**

**D**  
 Subbase & Manual Valves  
 H Series Micro  
 Moduflex Series  
 H Series ISO  
 Fieldbus Systems  
 DX ISOMAX Series  
 Valvair II Series



For inventory, lead times, and kit lookup, visit [www.pdnplu.com](http://www.pdnplu.com)

D96

**Parker Hannifin Corporation**  
 Pneumatic Division  
 Richland, Michigan  
[www.parker.com/pneumatics](http://www.parker.com/pneumatics)

**Plug-in, 5599-2 Transition Plate Kits**

**PS4026 L2 0 C P**

Transition plate type*	
H1 to H2 to H3	PS4025
H1 to H3	PS4026
H1 to H2	PS4027
H2 to H3	PS4028

\* Includes Left Hand and Right Hand End Plates

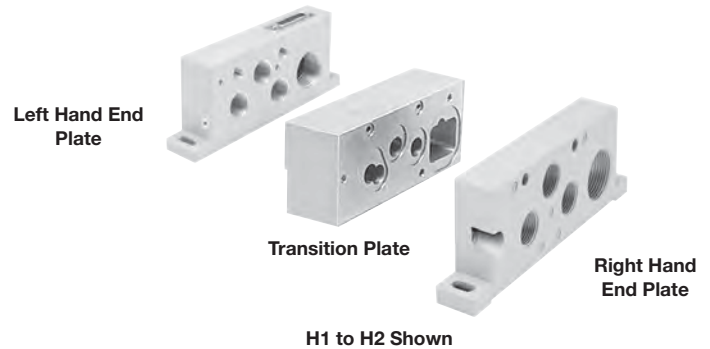
Engineering level	
C	Basic series PS40

Thread type	
0	NPT
1*	BSPP "G"

\* BSPP conforms to ISO 1179-1 w 228-1 threads.

Options	
25-pin, D-sub	L2
19-pin, round, brad harrison	L3
12-pin, M23	L4
19-pin, M23	M2
Moduflex fieldbus	M4*
H Series Fieldbus, with valve driver module	L6*
Turck fieldbus with valve driver module - 16 outputs	T1
Turck fieldbus with valve driver module - 32 outputs	T2

\* Must order communication module separately  
 turck, H Series Fieldbus, and moduflex communication modules must be ordered separately.  
 See fieldbus section for more information.



**D**

Subbase & Manual Valves

H Series Micro

Moduflex Series

H Series ISO

Fieldbus Systems

DX ISOMAX Series

Valvair II Series



For inventory, lead time, and kit lookup, visit [www.pdnplu.com](http://www.pdnplu.com)

D97

**Parker Hannifin Corporation**  
 Pneumatic Division  
 Richland, Michigan  
[www.parker.com/pneumatics](http://www.parker.com/pneumatics)

**Plug-in, 5599-2, Sandwich Regulators**

**PS4038 1 6 6 C P**

Basic Series	
H1	
5599-2, Plug-in	PS4038
H2	
5599-2, Plug-in	PS4138
H3	
5599-2, Plug-in	PS4238

Regulator Function	
Common Pressure Regulator	1
Independent Pressure Regulator	2

#2 Port Regulator / Gauge*	
0**	Line By-Pass Plate
4	1-30 PSIG w/Gauge
5	2-60 PSIG w/Gauge
6	5-125 PSIG w/Gauge
D	Remote Pilot ISO 2 & 3 only

\* For Common Pressure Regulator Option, Regulator Gauge callout must be the same number for both Port #4 and Port #2. (Example: 166)

\*\* Pressure Line By-Pass Option can only be used with Independent Pressure Regulators.

#4 Port Regulator / Gauge*	
0**	Line By-Pass Plate
4	1-30 PSIG w/Gauge
5	2-60 PSIG w/Gauge
6	5-125 PSIG w/Gauge
D	Remote Pilot ISO 2 & 3 only

\* For Common Pressure Regulator Option, Regulator Gauge callout must be the same number for both Port #4 and Port #2. (Example: 166)

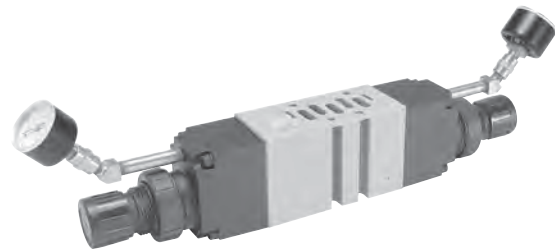
\*\* Pressure Line By-Pass Option can only be used with Independent Pressure Regulators.

**Ordering Components**

- Sandwich Regulator Kit configured for Internal Pilot as standard.
- Order valve as External Pilot.



**H1 - Size 1**  
 (Independent Dual Port Regulator Shown)



**H2 - Size 2**  
 (Independent Dual Port Regulator Shown)

**How to Configure Sandwich Regulator / Valve Combinations**

**Internal Pilot Configuration of Sandwich Regulator H1, H2 & H3**

Pressure in Base Port 1 feeds regulator configured for Internal Pilot which feeds valve configured for External Pilot.

**External Pilot Configuration of Sandwich Regulator H1, H2, H3**

An External Pilot pressure in Port 12 or 14 of the base feeds thru the Sandwich Regulator 12 or 14 galley directly to the 12/14 pilot of the valve. This configuration takes an External Pilot from the 12 port of the base and passes it thru the regulator to feed the 12 galley of the valve.

**Sandwich Regulator Cv Flow Chart\***

	Common Pressure Code 166				Single Pressure 2 Code 266				Single Pressure 4 Code 260				Dual Pressure Code 266			
	1-2	1-4	2-3	4-5	1-2	1-4	2-3	4-5*	1-2	1-4	2-3	4-5*	1-2	1-4	2-3	4-5*
<b>H1</b>	0.62	0.61	1.28	1.18	0.73	0.96	0.96	0.93	0.34	0.70	0.94	0.98	0.52	0.48	0.86	0.88
<b>H2</b>	1.47	1.60	2.41	2.33	1.71	1.90	1.52	1.75	1.74	1.67	1.73	1.79	1.61	1.62	1.50	1.67
<b>H3</b>	2.37	2.39	4.30	4.47	2.37	2.81	2.75	3.01	2.65	2.59	2.68	2.74	2.43	2.41	3.16	3.04

\* Regulator Port exhaust through Base Port 3.

Note: All Cv's calculated with regulator adjusted full open.

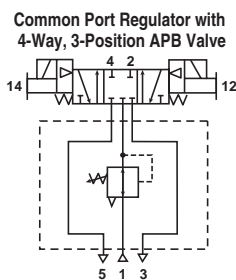
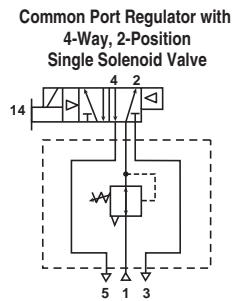
D Subbase & Manual Valves  
 H Series Micro  
 Modutefx Series  
 H Series ISO  
 Fieldbus Systems  
 DX ISOMAX Series  
 Valvair II Series



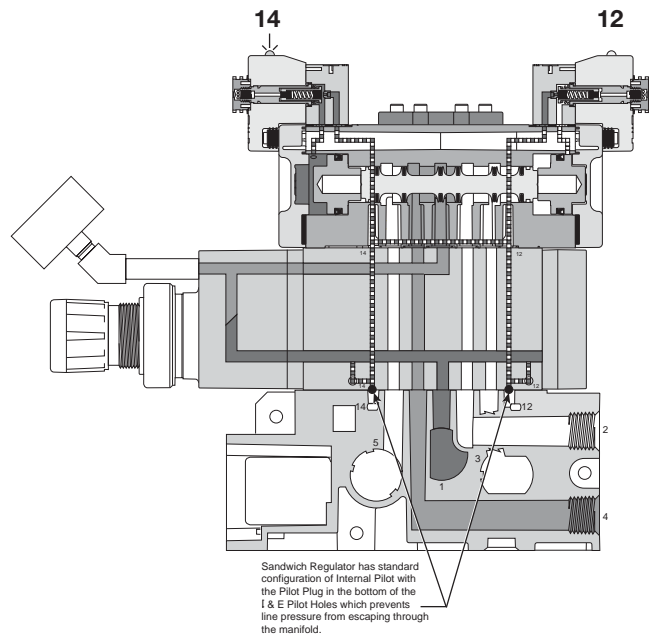
For inventory, lead times, and kit lookup, visit [www.pdnplu.com](http://www.pdnplu.com)

**Plug-in, H1, H2, H3 Common Port Regulation**

Provides adjustable regulated air pressure to the valve's #1 port which gives the same regulated pressure to both the #2 and #4 port of the manifold or subbase. The regulator is always on the 14 end of the valve.



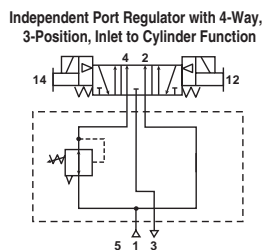
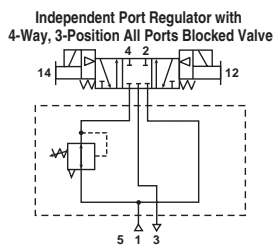
**H2 Common Port Regulator Shown - Double Solenoid, 14 Energized, Internal Pilot**



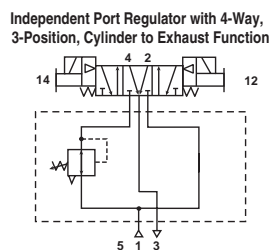
**Plug-in, H1, H2, H3 Independent Port Regulation**

**Single Port Regulator**

Provides regulated pressure to one of the ports and full line pressure to the other by use of the Line Pressure By-Pass Plate. Pressure regulation can occur out of the #4 port of the valve.

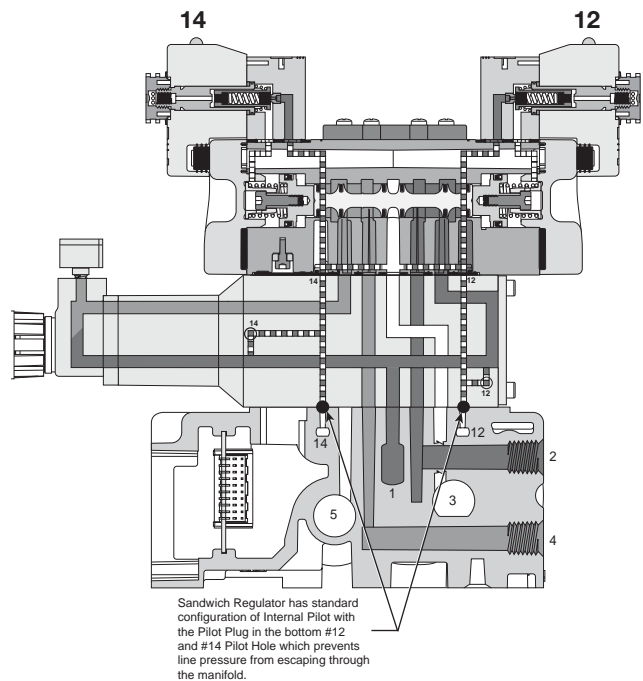


⚠ CAUTION: Requires 4-Way, 3-Position, Cylinder to Exhaust Valve



⚠ CAUTION: Requires 4-Way, 3-Position, Inlet to Cylinder Valve

**H1 Independent Port Regulator Shown - Double Solenoid, De-energized, Internal Pilot**



D	Subbase & Manual Valves
	H Series Micro
	Modulflex Series
	H Series ISO
	Fieldbus Systems
	DX ISOMAX Series
	Valvair II Series

When using an Independent Pressure Sandwich Regulator, the cylinder outlet ports are reversed. The 12 end energizes the #4 port and the 14 end energizes the #2 port. The 3-Position CE and PC functions are also reversed. (See schematics above.)



For inventory, lead time, and kit lookup, visit [www.pdnplu.com](http://www.pdnplu.com)

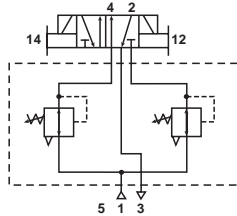
**Plug-in, H1, H2, H3 Independent Dual Port Regulation**

**Dual Port Regulator**

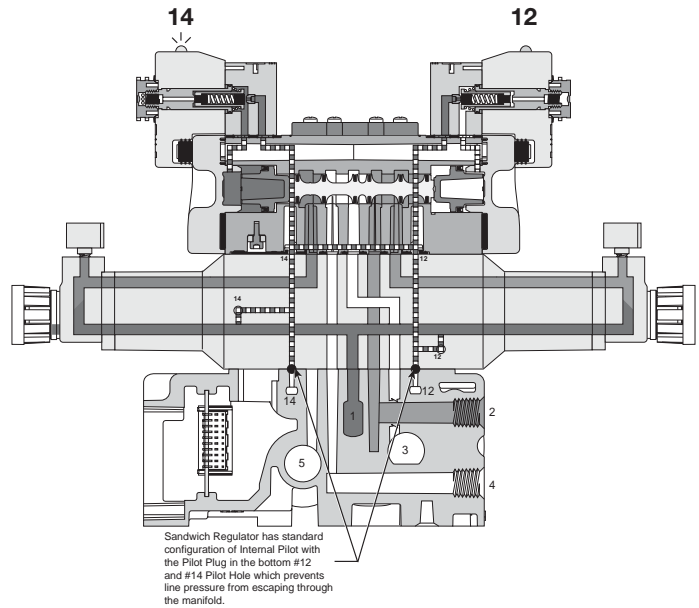
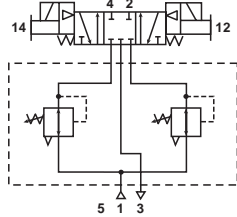
Provides regulated pressure to both ports. Pressure regulation can occur out of the #2 or #4 port of the valve.

**H1 Independent Dual Port Regulator Shown - Double Solenoid, 14 Energized, Internal Pilot**

Independent Dual Port Regulator with 4-Way, 2-Position Double Solenoid Valve



Independent Dual Port Regulator with 4-Way, 3-Position Double Solenoid Valve



*When using an Independent Pressure Sandwich Regulator, the cylinder outlet ports are reversed. The 12 end energizes the #4 port and the 14 end energizes the #2 port. The 3-Position CE and PC functions are also reversed. (See schematics on above.)*

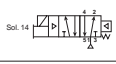
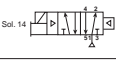
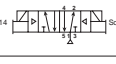
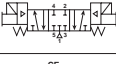
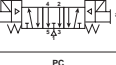
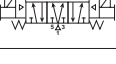
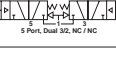

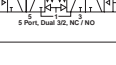
D	Subbase & Manual Valves
	H Series Micro
	Modutlex Series
	H Series ISO
	Fieldbus Systems
	DX ISOMAX Series
Valvair II Series	





For inventory, lead times, and kit lookup, visit [www.pdnplu.com](http://www.pdnplu.com)






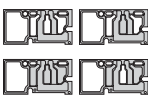
15407-1, Non Plug-in, Size 18mm (HB)

Symbol	Type	Cv	Operator	Voltage	Pilot	Non-locking	Locking
	4-way, 2-position, spring return	0.55	Single solenoid	24 VDC	Internal	<b>HB EWXBG2G9000FA</b>	HB EWXBH2G9000FA
					External	HB EWXLG2G9000FA	HB EWXLH2G9000FA
	4-way, 2-position, air return	0.55	Single solenoid	24 VDC	Internal	<b>HB 1WXBG2G9000FA</b>	HB 1WXBH2G9000FA
					External	HB 1WXLG2G9000FA	HB 1WXLH2G9000FA
	4-way, 2-position	0.55	Double solenoid	24 VDC	Internal	<b>HB 2WXBG2G9000FA</b>	HB 2WXBH2G9000FA
					External	HB 2WXLG2G9000FA	HB 2WXLH2G9000FA
	4-way, 3-position, all ports blocked	0.5	Double solenoid	24 VDC	Internal	<b>HB 5WXBG2G9000FA</b>	HB 5WXBH2G9000FA
					External	HB 5WXLG2G9000FA	HB 5WXLH2G9000FA
	4-way, 3-position, center exhaust	0.5	Double solenoid	24 VDC	Internal	<b>HB 6WXBG2G9000FA</b>	HB 6WXBH2G9000FA
					External	HB 6WXLG2G9000FA	HB 6WXLH2G9000FA
	4-way, 3-position, pressure center	0.5	Double solenoid	24 VDC	Internal	<b>HB 7WXBG2G9000FA</b>	HB 7WXBH2G9000FA
					External	HB 7WXLG2G9000FA	HB 7WXLH2G9000FA
	3-way, 2-position, dual valve, NC/NC	0.45	Double solenoid	24 VDC	Internal	<b>HBNWXBG2G9000FA</b>	HBNWXBH2G9000FA
					External	HB 7WXLG2G9000FA	HB 7WXLH2G9000FA
	3-way, 2-position, dual valve, NO/NO	0.45	Double solenoid	24 VDC	Internal	<b>HBPWXBG2G9000FA</b>	HBPWXBH2G9000FA
					External	HB 7WXLG2G9000FA	HB 7WXLH2G9000FA
	3-way, 2-position, dual valve, NC/NO	0.45	Double solenoid	24 VDC	Internal	<b>HBQWXBG2G9000FA</b>	NA
					External	HB 7WXLG2G9000FA	HB 7WXLH2G9000FA

15407-1, Non Plug-in, Size 18mm (HB)

2 Station manifold bases	Description	1/8" NPT	1/8" BSPP
	End ported bases	<b>PS5611510P</b>	<b>PS5611520P</b>
	Bottom / end port	<b>PS5611610P</b>	<b>PS5611620P</b>
End plate kit	Description	NPT port	BSPP port
	Non-collective wiring end plate	<b>PS5631010P</b>	<b>PS5631011P</b>

15407-1, Non-Plug-in, Size 18mm (HB) Accessories

Accessories	Description	Part number
	Common pressure	2-60 PSIG w/ gauge <b>PS5637155P</b>
	Common pressure	5-125 PSIG w/ gauge <b>PS5637166P</b>
	Independent pressure	2-60 PSIG w/ gauge <b>PS5637255P</b>
	Independent pressure	5-125 PSIG w/ gauge <b>PS5637266P</b>
Gauge adapter kit	Includes 1/8" coupling and long nipple	<b>PS5651160P</b>
Blanking plate kit		<b>PS5634P</b>
	1/8" NPT	<b>PS562600P</b>
	1/8" BSPP	<b>PS562601P</b>
	1/8" NPT	<b>PS562700P</b>
	1/8" BSPP	<b>PS562701P</b>
Intermediate air supply module	1/8" NPT	<b>D02P-01-80</b>
Sandwich flow control		<b>PS5642P</b>
	Standard	<b>PS561AP</b>
	Blocked #1 port	<b>PS561BP</b>
	Blocked #1, 3, 5, ports	<b>PS561CP</b>
	Blocked #3, 5 ports	<b>PS561DP</b>

 Most popular.



For inventory, lead time, and kit lookup, visit [www.pdnplu.com](http://www.pdnplu.com)

D101

Parker Hannifin Corporation  
Pneumatic Division  
Richland, Michigan  
[www.parker.com/pneumatics](http://www.parker.com/pneumatics)

D

Subbase & Manifold Valves

H Series Micro

Moduflex Series

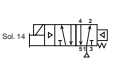
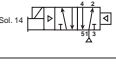

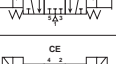


H Series ISO

Fieldbus Systems




DX ISOMAX Series

Valvair II Series








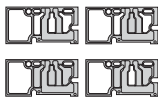
15407-1, Non Plug-in, Size 26mm (HA)

Symbol	Type	Cv	Operator	Voltage	Pilot	Non-locking	Locking
 Sol. 14	4-way, 2-position, spring return	1.1	Single solenoid	24 VDC	Internal	<b>HAEWXBG2G9000FA</b>	<b>HAEWXBH2G9000FA</b>
					External	<b>HAEWXLG2G9000FA</b>	<b>HAEWXLH2G9000FA</b>
 Sol. 14	4-way, 2-position, air return	1.1	Single solenoid	24 VDC	Internal	<b>HA1WXBG2G9000FA</b>	<b>HA1WXBH2G9000FA</b>
					External	<b>HA1WXLG2G9000FA</b>	<b>HA1WXLH2G9000FA</b>
 Sol. 14	4-way, 2-position	1.1	Double solenoid	24 VDC	Internal	<b>HA2WXBG2G9000FA</b>	<b>HA2WXBH2G9000FA</b>
					External	<b>HA2WXLG2G9000FA</b>	<b>HA2WXLH2G9000FA</b>
 #14	4-way, 3-position, all ports blocked	1.0	Double solenoid	24 VDC	Internal	<b>HA5WXBG2G9000FA</b>	<b>HA5WXBH2G9000FA</b>
					External	<b>HA5WXLG2G9000FA</b>	<b>HA5WXLH2G9000FA</b>
 #14	4-way, 3-position, center exhaust	1.0	Double solenoid	24 VDC	Internal	<b>HA6WXBG2G9000FA</b>	<b>HA6WXBH2G9000FA</b>
					External	<b>HA6WXLG2G9000FA</b>	<b>HA6WXLH2G9000FA</b>
 #14	4-way, 3-position, pressure center	1.0	Double solenoid	24 VDC	Internal	<b>HA7WXBG2G9000FA</b>	<b>HA7WXBH2G9000FA</b>
					External	<b>HA7WXLG2G9000FA</b>	<b>HA7WXLH2G9000FA</b>

15407-1, Non Plug-in, Size 26mm (HA)

Single subbase	Description	1/4" NPT	1/4" BSPP
	Side ported base	<b>PS551130P</b>	<b>PS551140P</b>
2 Station manifold bases	Description	1/4" NPT	1/4" BSPP
	End ported bases	<b>PS5511530P</b>	<b>PS5511540P</b>
	Bottom / end port	<b>PS5511630P</b>	<b>PS5511640P</b>
End plate kit	Description	NPT port	BSPP port
	Non-collective wiring end plate	<b>PS5631010P</b>	<b>PS5631011P</b>

15407-1, Non-Plug-in, Size 26mm (HA) Accessories

Accessories	Description	Part number
	Common pressure	2-60 PSIG w/ gauge <b>PS5537155P</b>
	Common pressure	5-125 PSIG w/ gauge <b>PS5537166P</b>
	Independent pressure	2-60 PSIG w/ gauge <b>PS5537255P</b>
	Independent pressure	5-125 PSIG w/ gauge <b>PS5537266P</b>
	Gauge adapter kit	Includes 1/8" coupling and long nipple <b>PS5651160P</b>
	Blanking plate kit	<b>PS5534P</b>
	1/4" NPT	<b>PS552600P</b>
	1/4" BSPP	<b>PS552601P</b>
	1/4" NPT	<b>PS552700P</b>
	1/4" BSPP	<b>PS552701P</b>
	Intermediate air supply module	1/4" NPT <b>D01P-02-80</b>
	Sandwich flow control	<b>PS5542P</b>
	Sandwich Flow Control and Common Port Sandwich Regulator may be sandwiched together on a manifold or subbase. The Sandwich Flow Control MUST be located between the manifold/subbase and the Common Port Sandwich Regulator.	
	Standard	<b>PS561AP</b>
	Blocked #1 port	<b>PS561BP</b>
	Blocked #1, 3, 5, ports	<b>PS561CP</b>
	Blocked #3, 5 ports	<b>PS561DP</b>

 Most popular.



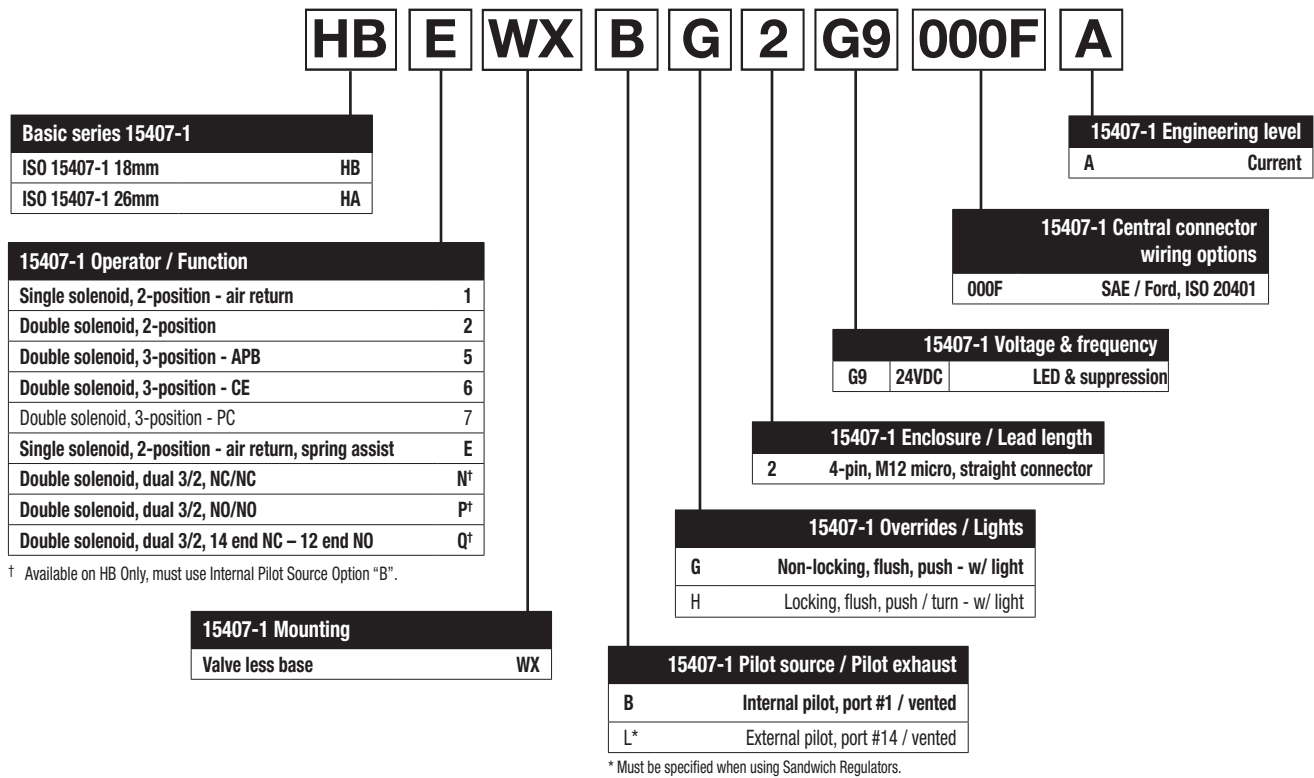
For inventory, lead times, and kit lookup, visit [www.pdnplu.com](http://www.pdnplu.com)

D102

**Parker Hannifin Corporation**  
Pneumatic Division  
Richland, Michigan  
[www.parker.com/pneumatics](http://www.parker.com/pneumatics)

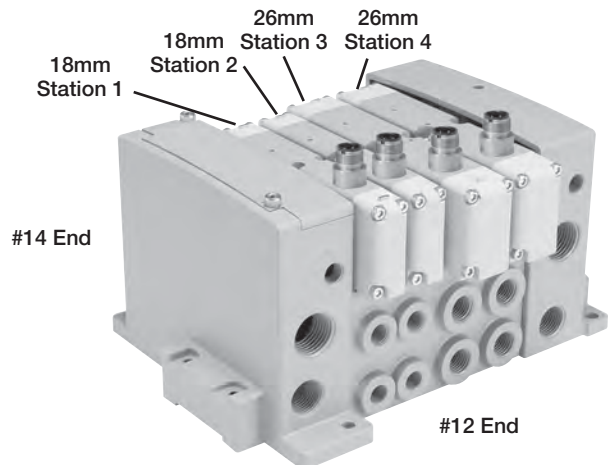
**D**  
 Subbase & Manual Valves  
 H Series Micro  
 Modutrex Series  
 H Series ISO  
 Fieldbus Systems  
 DX ISOMAX Series  
 Valvair II Series

**Non Plug-in, 15407-1, Size 18mm (HB) & 26mm (HA)**



**How To Order 15407-1 Non Plug-in Add-A-Fold Assemblies**

1. List Add-A-Fold Assembly call out. This automatically includes the end plate kit assembly.
2. List complete Valve, Regulator, Flow Control and Base model number. List left to right, LOOKING AT THE CYLINDER PORTS on the #12 end of the manifold. The left most station is station 1. (If a blank station is needed, list the blanking plate part number and the individual manifold number in the station specified.)



**Example:**  
 4-Station Manifold with (2) 18mm and (2) 26mm Valves on Manifold Bases

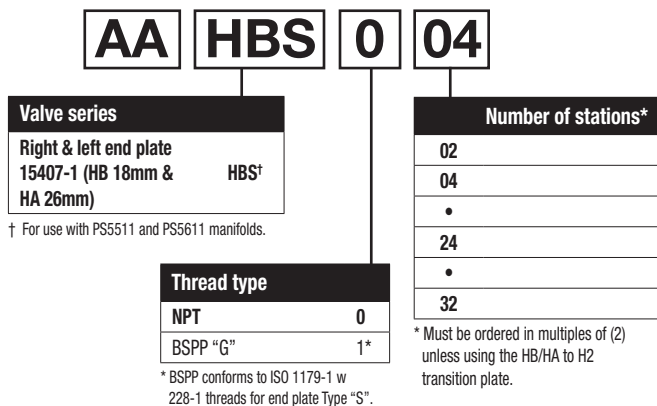
**Example**

Application requires a 4-Station manifold. (Two 18mm + Two 26mm Stations)

Item	Qty.	Part No.	Location
01		1AAHBS004	
02		1HB1WXBG2G9000FA	Station 1
03		1HB2WXBG2G9000FA	Station 2
04		1PS5611510P	Station 1 & 2
05		2HA1WXBG2G9000FA	Station 3 & 4
06		1PS5511510P	Station 3 & 4

**NOTE:** Construct manifold assemblies from left to right while looking at the ports. Valves must be ordered as External Pilot when using Sandwich Regulator.

**Add-A-Fold Assembly Model Number**



For inventory, lead time, and kit lookup, visit [www.pdnplu.com](http://www.pdnplu.com)

**Non Plug-in, 15407-1, Size 18mm (HB) & 26mm (HA) Manifold / Subbase Kits**

**PS561151** **0** **P**

Enclosures / Lead Length	
0	None, No Electrical Plug - 15407-1

Mounting Style / Port Size			
ISO 15407-1, 18mm, HB		15407-1, 26mm, HA	
Manifold with 1/8 NPT End Ports	PS561151	Subbase with 1/4 NPT Side Ports	PS551113
Manifold with 1/8 BSPP End Port	PS561152*	Subbase with 1/4 BSPP Side Ports	PS551114*
Manifold with 1/8 NPT Bottom / End Port	PS561161	Subbase with 1/4 NPT Bottom / Side Port	PS551123
Manifold with 1/8 BSPP Bottom / End Port	PS561162*	Subbase with 1/4 BSPP Bottom / Side Port	PS551124*
		<b>Manifold with 1/4 NPT End Port</b>	<b>PS551153</b>
		Manifold with 1/4 BSPP End Port	PS551154*
		Manifold with 1/4 NPT Bottom / End Port	PS551163
		Manifold with 1/4 BSPP Bottom / End Port	PS551164*

\* BSPP Conforms to ISO 1179-1 w 228-1 Threads.

**Subbase Kits**

**Manifold Kits**



HA



HB



HA

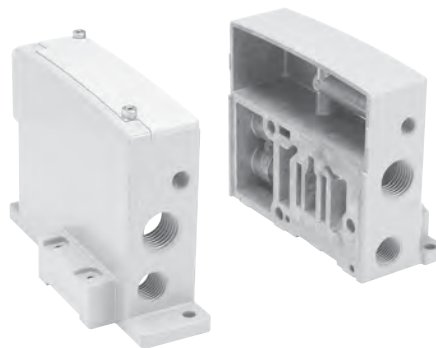
**Non-Plug-in, 15407-1, Size 18mm (HB) & 26mm (HA) End Plate Kits**

**PS563101** **0** **P**

Basic Series	
ISO 15407, Size HB, 18mm & HA, 26mm End Plate, Non-Collective Wiring	PS563101

Thread Type	
0	NPT
1*	BSPP "G"

\* BSPP Conforms to ISO 1179-1 w 228-1 Threads.



HB - HA Non-Collective Wiring End Plates



For inventory, lead times, and kit lookup, visit [www.pdnplu.com](http://www.pdnplu.com)

D104

**Parker Hannifin Corporation**  
 Pneumatic Division  
 Richland, Michigan  
[www.parker.com/pneumatics](http://www.parker.com/pneumatics)

**D**  
 Subbase & Manual Valves  
 H Series Micro  
 Moduteflex Series  
 H Series ISO  
 Fieldbus Systems  
 DX ISOMAX Series  
 Valvair II Series

**Non Plug-in, 15407-1, Sandwich Regulators**

**PS5637 1 6 6 P**

Basic Series	
HB	
15407-1, 18mm, Non Plug-In	PS5637
HA	
15407-1, 26mm, Non Plug-In	PS5537

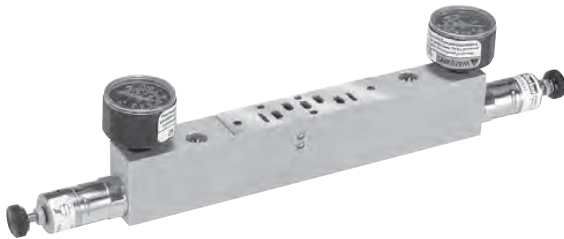
#2 Port Regulator / Gauge*	
5	2-60 PSIG w/Gauge
6	5-125 PSIG w/Gauge

\* For Common Pressure Regulator Option, Regulator Gauge callout must be the same number for both Port #4 and Port #2. (Example: 166)

Regulator Function	
Common Pressure Regulator	1
Independent Pressure Regulator	2

#4 Port Regulator / Gauge*	
5	2-60 PSIG w/Gauge
6	5-125 PSIG w/Gauge

\* For Common Pressure Regulator Option, Regulator Gauge callout must be the same number for both Port #4 and Port #2. (Example: 166)



**HB - 18mm**  
 (Independent Dual Port Regulator Shown)



**HA - 26mm**  
 (Common Port Regulator Shown)

**Ordering Components**

- Manifold or Subbase Kit required.
- Sandwich Regulator Kit configured for Internal Pilot as standard.
- Order valve as External Pilot.

**How to Configure Sandwich Regulator / Valve Combinations**

**Internal Pilot Configuration of Sandwich Regulator HA, HB**

Pressure in Base Port 1 feeds regulator configured for Internal Pilot which feeds valve configured for External Pilot.



For inventory, lead time, and kit lookup, visit [www.pdnplu.com](http://www.pdnplu.com)

D105

**Parker Hannifin Corporation**  
 Pneumatic Division  
 Richland, Michigan  
[www.parker.com/pneumatics](http://www.parker.com/pneumatics)

**D**

Subbase & Manual Valves

H Series Micro

Moduflex Series

H Series ISO

Fieldbus Systems

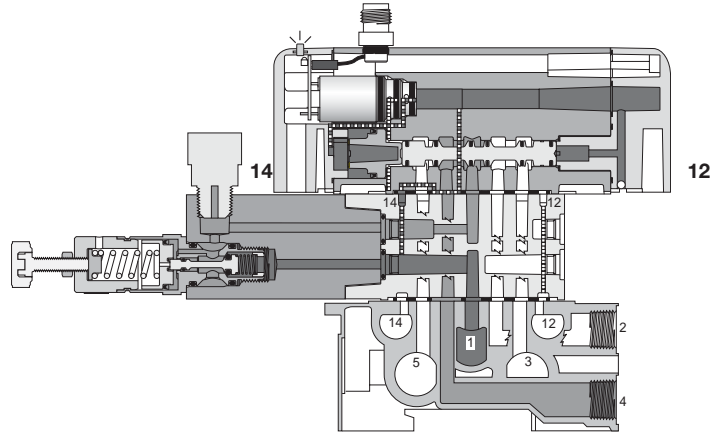
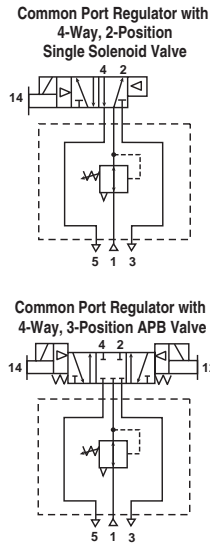
DX ISOMAX Series

Valvair II Series

**Non Plug-in, HB & HA Common Port Regulation**

Provides adjustable regulated air pressure to the valve's #1 port which gives the same pressure to both the #2 and #4 port of the manifold or subbase. The regulator is always on the 14 end of the valve.

**HB Common Port Regulator Shown - Single Solenoid, 14 Energized**

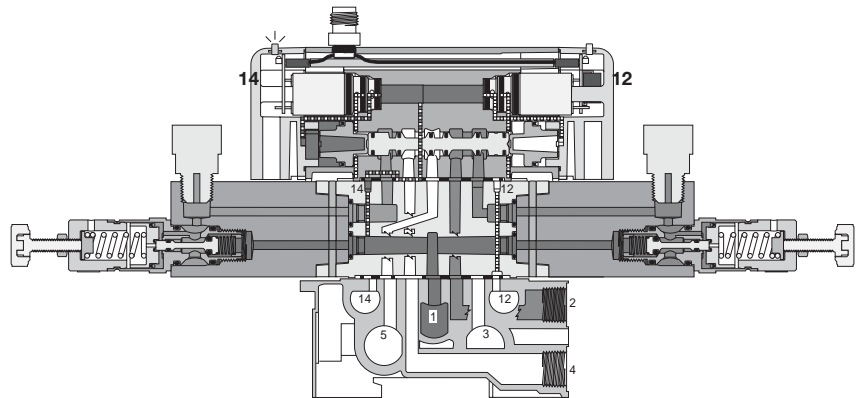
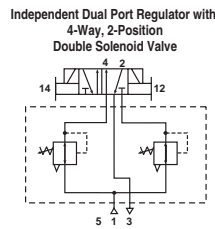


**HB & HA Independent Dual Port Regulation**

**Dual Port Regulator**

Provides regulated pressure to both ports. Pressure regulation can occur out of the #2 or #4 port of the valve.

**HB Independent Dual Port Regulator Shown - Double Solenoid, 14 Energized**



*When using an Independent Pressure Sandwich Regulator, the cylinder outlet ports are reversed. The 12 end energizes the #4 port and the 14 end energizes the #2 port. The 3-Position CE and PC functions are also reversed. (See schematics on above.)*

D	Subbase & Manual Valves
	H Series Micro
	Modulflex Series
	H Series ISO
	Fieldbus Systems
	DX ISOMAX Series
	Valvair II Series



For inventory, lead times, and kit lookup, visit [www.pdnplu.com](http://www.pdnplu.com)



**Non Plug-in, 15407-1 Transition Plate Kits**

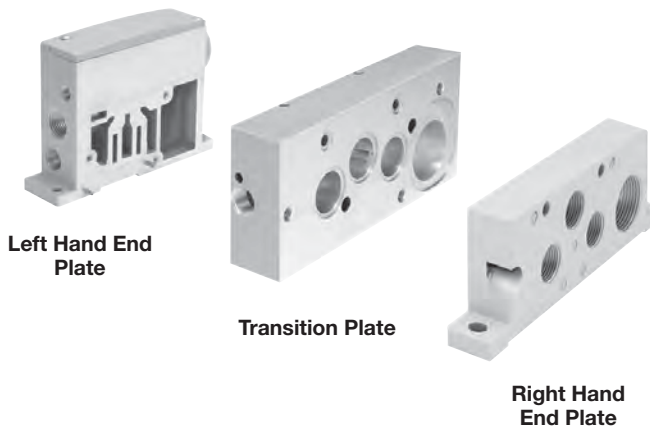
**PS562401** **0** **P**

Transition Plate Type*	
HA / HB to H2	PS562401

\* Includes Left Hand and Right Hand End Plates.  
 Use with PS5511 and PS5611 Manifolds Only.

Thread Type	
0	NPT
1*	BSPP "G"

\* BSPP Conforms to ISO 1179-1 w 228-1  
 Threads.



<b>D</b>
Subbase & Manual Valves
H Series Micro
Moduflex Series
H Series ISO
Fieldbus Systems
DX ISOMAX Series
Valvair II Series

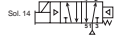
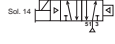
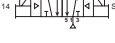
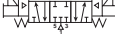
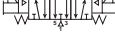



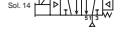
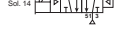
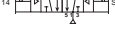
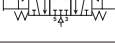
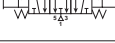

For inventory, lead time, and kit lookup, visit [www.pdnplu.com](http://www.pdnplu.com)

D107


**Parker Hannifin Corporation**  
 Pneumatic Division  
 Richland, Michigan  
[www.parker.com/pneumatics](http://www.parker.com/pneumatics)

**5599-1, Non Plug-in, Size 1 (H1) with Central Connectors**

Symbol	Type	Cv	Operator	Voltage	Enclosure	Pilot	Non-locking	Locking
	4-way, 2-position, spring return	1.5	Single solenoid	24 VDC	4-pin, central M12 connector	Internal	<b>H1EWXBG2B9000FD</b>	H1EWXBH2B9000FD
						External	H1EWXXG2B9000FD	H1EWXXH2B9000FD
	4-way, 2-position, air return	1.5	Single solenoid	24 VDC	4-pin, central M12 connector	Internal	<b>H11WXBG2B9000FD</b>	H11WXBH2B9000FD
						External	H11WXXG2B9000FD	H11WXXH2B9000FD
	4-way, 2-position	1.5	Double solenoid	24 VDC	4-pin, central M12 connector	Internal	<b>H12WXBG2B9000FD</b>	H12WXBH2B9000FD
						External	H12WXXG2B9000FD	H12WXXH2B9000FD
	4-way, 3-position, all ports blocked	1.2	Double solenoid	24 VDC	4-pin, central M12 connector	Internal	<b>H15WXBG2B9000FD</b>	H15WXBH2B9000FD
						External	H15WXXG2B9000FD	H15WXXH2B9000FD
	4-way, 3-position, center exhaust	1.2	Double solenoid	24 VDC	4-pin, central M12 connector	Internal	<b>H16WXBG2B9000FD</b>	H16WXBH2B9000FD
						External	H16WXXG2B9000FD	H16WXXH2B9000FD
	4-way, 3-position, pressure center	1.2	Double solenoid	24 VDC	4-pin, central M12 connector	Internal	<b>H17WXBG2B9000FD</b>	H17WXBH2B9000FD
						External	H17WXXG2B9000FD	H17WXXH2B9000FD

Symbol	Type	Cv	Operator	Voltage	Enclosure	Pilot	Non-locking	Locking
	4-way, 2-position, spring return	1.5	Single solenoid	120 VAC	5-Pin, central 7/8" mini connector	Internal	<b>H1EWXBG323000FD</b>	H1EWXBH323000FD
						External	H1EWXXG323000FD	H1EWXXH323000FD
	4-way, 2-position, air return	1.5	Single solenoid	120 VAC	5-Pin, central 7/8" mini connector	Internal	<b>H11WXBG323000FD</b>	H11WXBH323000FD
						External	H11WXXG323000FD	H11WXXH323000FD
	4-way, 2-position	1.5	Double solenoid	120 VAC	5-Pin, central 7/8" mini connector	Internal	<b>H12WXBG323000FD</b>	H12WXBH323000FD
						External	H12WXXG323000FD	H12WXXH323000FD
	4-way, 3-position, all ports blocked	1.2	Double solenoid	120 VAC	5-Pin, central 7/8" mini connector	Internal	<b>H15WXBG323000FD</b>	H15WXBH323000FD
						External	H15WXXG323000FD	H15WXXH323000FD
	4-way, 3-position, center exhaust	1.2	Double solenoid	120 VAC	5-Pin, central 7/8" mini connector	Internal	<b>H16WXBG323000FD</b>	H16WXBH323000FD
						External	H16WXXG323000FD	H16WXXH323000FD
	4-way, 3-position, pressure center	1.2	Double solenoid	120 VAC	5-Pin, central 7/8" mini connector	Internal	<b>H17WXBG323000FD</b>	H17WXBH323000FD
						External	H17WXXG323000FD	H17WXXH323000FD

**D**  
Subbase & Manual Valves  
H Series Micro  
Moduteflex Series  
H Series ISO  
Fieldbus Systems  
DX ISOMAX Series  
Valvair II Series

 Most popular.

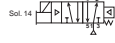
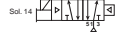
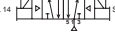


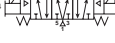





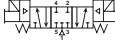
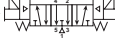

For inventory, lead times, and kit lookup, visit [www.pdnplu.com](http://www.pdnplu.com)

D108

**Parker Hannifin Corporation**  
 Pneumatic Division  
 Richland, Michigan  
[www.parker.com/pneumatics](http://www.parker.com/pneumatics)

5599-1, Non Plug-in, Size 1 (H1) with 3-Pin DIN Connectors

Symbol	Type	Cv	Operator	Voltage	Enclosure	Pilot	Non-locking	Locking
	4-way, 2-position, spring return	1.5	Single solenoid	24 VDC	3-pin DIN connector on coil	Internal	<b>H1EWXBBL49D</b>	<b>H1EWXBBDL49D</b>
						External	H1EWXXBL49D	H1EWXXDL49D
	4-way, 2-position, air return	1.5	Single solenoid	24 VDC	3-pin DIN connector on coil	Internal	<b>H11WXBBL49D</b>	<b>H11WXBBDL49D</b>
						External	H11WXXBL49D	H11WXXDL49D
	4-way, 2-position	1.5	Double solenoid	24 VDC	3-pin DIN connector on coil	Internal	<b>H12WXBBL49D</b>	<b>H12WXBBDL49D</b>
						External	H12WXXBL49D	H12WXXDL49D
	4-way, 3-position, all ports blocked	1.2	Double solenoid	24 VDC	3-pin DIN connector on coil	Internal	<b>H15WXBBL49D</b>	<b>H15WXBBDL49D</b>
						External	H15WXXBL49D	H15WXXDL49D
	4-way, 3-position, center exhaust	1.2	Double solenoid	24 VDC	3-pin DIN connector on coil	Internal	<b>H16WXBBL49D</b>	<b>H16WXBBDL49D</b>
						External	H16WXXBL49D	H16WXXDL49D
	4-way, 3-position, pressure center	1.2	Double solenoid	24 VDC	3-pin DIN connector on coil	Internal	<b>H17WXBBL49D</b>	<b>H17WXBBDL49D</b>
						External	H17WXXBL49D	H17WXXDL49D

Symbol	Type	Cv	Operator	Voltage	Enclosure	Pilot	Non-locking	Locking
	4-way, 2-position, spring return	1.5	Single solenoid	120 VAC	3-pin DIN connector on coil	Internal	<b>H1EWXBBL53D</b>	<b>H1EWXBBDL53D</b>
						External	H1EWXXBL53D	H1EWXXDL53D
	4-way, 2-position, air return	1.5	Single solenoid	120 VAC	3-pin DIN connector on coil	Internal	<b>H11WXBBL53D</b>	<b>H11WXBBDL53D</b>
						External	H11WXXBL53D	H11WXXDL53D
	4-way, 2-position	1.5	Double solenoid	120 VAC	3-pin DIN connector on coil	Internal	<b>H12WXBBL53D</b>	<b>H12WXBBDL53D</b>
						External	H12WXXBL53D	H12WXXDL53D
	4-way, 3-position, all ports blocked	1.2	Double solenoid	120 VAC	3-pin DIN connector on coil	Internal	<b>H15WXBBL53D</b>	<b>H15WXBBDL53D</b>
						External	H15WXXBL53D	H15WXXDL53D
	4-way, 3-position, center exhaust	1.2	Double solenoid	120 VAC	3-pin DIN connector on coil	Internal	<b>H16WXBBL53D</b>	<b>H16WXBBDL53D</b>
						External	H16WXXBL53D	H16WXXDL53D
	4-way, 3-position, pressure center	1.2	Double solenoid	120 VAC	3-pin DIN connector on coil	Internal	<b>H17WXBBL53D</b>	<b>H17WXBBDL53D</b>
						External	H17WXXBL53D	H17WXXDL53D

5599-1, Non Plug-in, Size 1 (H1)

	<b>Single subbase</b>	<b>Description</b>	3/8" NPT	3/8" BSPP
		Side ported base	<b>PS4011150DP</b>	<b>PS4011160DP</b>
	<b>Manifold bases</b>	<b>Description</b>	3/8" NPT	3/8" BSPP
		End ported bases	<b>PS4011550DP</b>	<b>PS4011560CP</b>
		Bottom / end ported bases	<b>PS4011650CP</b>	<b>PS4011660CP</b>
	<b>End plate kits</b>	<b>Description</b>	NPT port	BSPP port
		H1 Non-collective wiring end plates	<b>PS4031010CP</b>	<b>PS4031011DP</b>

 Most popular.



For inventory, lead time, and kit lookup, visit [www.pdnplu.com](http://www.pdnplu.com)

D109

**Parker Hannifin Corporation**  
Pneumatic Division  
Richland, Michigan  
[www.parker.com/pneumatics](http://www.parker.com/pneumatics)

**D**

Subbase & Manual Valves

H Series Micro

Modulflex Series





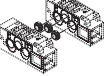

H Series ISO

Fieldbus Systems

DX ISOMAX Series

Valvair II Series

**5599-1, Non Plug-in, Size 1 (H1) Accessories**

Accessory	Description	Part number
 Sandwich regulator	Common pressure 5-125 PSIG w/ gauge	<b>PS4037166CP</b>
	Independent pressure 5-125 PSIG w/ gauge	<b>PS4037266CP</b>
 Blanking plate kit		<b>PS4034CP</b>
 Sandwich flow control		<b>PS4042CP</b>
Sandwich Flow Control and Common Port Sandwich Regulator may be sandwiched together on a manifold or subbase. The Sandwich Flow Control MUST be located between the manifold/subbase and the Common Port Sandwich Regulator.		
 Manifold to manifold gasket kits		<b>PS4013P</b>
 Manifold port isolation kit	Main galley (1, 3, 5)	<b>PS4032CP</b>
	Pilot galley	<b>PS4033CP</b>
 Auxiliary access plate kit	1/4" & 3/8"	NPT <b>PS403000CP</b>
		BSPP <b>PS403001CP</b>

D

Subbase & Manual Valves

H Series Micro

Modutflex Series

H Series ISO

Fieldbus Systems

DX ISOMAX Series

Valvair II Series

 Most popular.



For inventory, lead times, and kit lookup, visit [www.pdnplu.com](http://www.pdnplu.com)

D110

**Parker Hannifin Corporation**  
 Pneumatic Division  
 Richland, Michigan  
[www.parker.com/pneumatics](http://www.parker.com/pneumatics)

**How To Order Non Plug-in Add-A-Fold Assemblies**

1. List Add-A-Fold Assembly call out. This automatically includes the end plate kit assembly.
2. List complete Valve, Regulator, Flow Control and Base model number. List left to right, LOOKING AT THE CYLINDER PORTS on the #12 end of the manifold. The left most station is station 1. (If a blank station is needed, list the blanking plate part number and the individual manifold number in the station specified.)

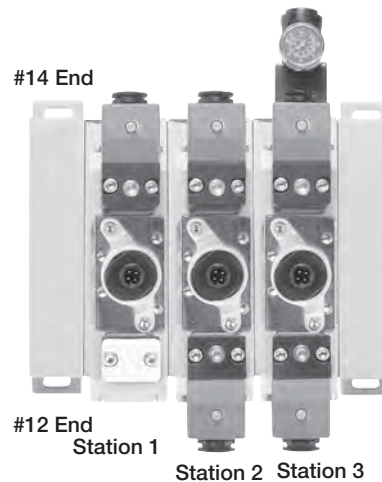
**Example**

Application requires a 3-Station manifold with a valve, regulator on Station 3.

Item	Qty.	Part No.	Location
01	1	AAH1S003	
02	1	H11WXBG2B9000FD	Station 1
03	1	PS4011550CP	Station 1
04	1	H12WXBG2B9000FD	Station 2
05	1	PS4011550CP	Station 2
06	1	H12WXXG2B9000FD	Station 3
07	1	PS4037166CP	Station 3
08	1	PS4011550CP	Station 3

**NOTE:** Construct manifold assemblies from left to right while looking at the cylinder ports.

Valves must be ordered as External Pilot when using Sandwich Regulator.



Example:  
 3-Station Manifold with (3) H1 Valves  
 on Manifold Bases  
 and Regulator at Station 3

**Add-A-Fold Assembly Model Number**

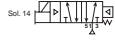
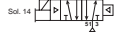
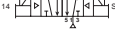
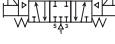
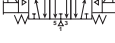
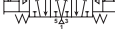
<b>AA</b>	<b>H1</b>	<b>S</b>	<b>0</b>	<b>03</b>	
<b>Valve series</b>		<b>End plate type</b>		<b>Transition plate</b>	
Right & left end plate H1		Standard - non-collective wiring S		Blank No transition plate	
				C H1 to H2	
				D H1 to H3	
				<b>Number of stations</b>	
				01	
				02	
				03	
				04	
				•	
				•	
				24	
				<b>Thread type</b>	
				NPT 0	
				BSPP "G" 1*	

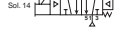

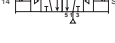
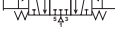
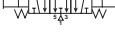
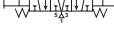
\* BSPP Conforms to ISO 1179-1 w 228-1 Threads.



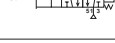
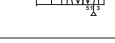
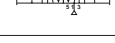
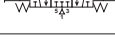
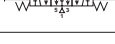
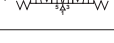
For inventory, lead time, and kit lookup, visit [www.pdnplu.com](http://www.pdnplu.com)

5599-1, Non Plug-in, Size 2 (H2) with Central Connectors

Symbol	Type	Cv	Operator	Voltage	Enclosure	Pilot	Non-locking	Locking
	4-way, 2-position, spring return	3.0	Single solenoid	24 VDC	4-pin, central M12 connector	Internal	<b>H2EWXBG2B9000FD</b>	H2EWXBH2B9000FD
						External	H2EWXXG2B9000FD	H2EWXXH2B9000FD
	4-way, 2-position, air return	3.0	Single solenoid	24 VDC	4-pin, central M12 connector	Internal	<b>H21WXBG2B9000FD</b>	H21WXBH2B9000FD
						External	H21WXXG2B9000FD	H21WXXH2B9000FD
	4-way, 2-position	3.0	Double solenoid	24 VDC	4-pin, central M12 connector	Internal	<b>H22WXBG2B9000FD</b>	H22WXBH2B9000FD
						External	H22WXXG2B9000FD	H22WXXH2B9000FD
	4-way, 3-position, all ports blocked	2.8	Double solenoid	24 VDC	4-pin, central M12 connector	Internal	<b>H25WXBG2B9000FD</b>	H25WXBH2B9000FD
						External	H25WXXG2B9000FD	H25WXXH2B9000FD
	4-way, 3-position, center exhaust	2.8	Double solenoid	24 VDC	4-pin, central M12 connector	Internal	<b>H26WXBG2B9000FD</b>	H26WXBH2B9000FD
						External	H26WXXG2B9000FD	H26WXXH2B9000FD
	4-way, 3-position, pressure center	2.8	Double solenoid	24 VDC	4-pin, central M12 connector	Internal	<b>H27WXBG2B9000FD</b>	H27WXBH2B9000FD
						External	H27WXXG2B9000FD	H27WXXH2B9000FD

Symbol	Type	Cv	Operator	Voltage	Enclosure	Pilot	Non-locking	Locking
	4-way, 2-position, spring return	3.0	Single solenoid	120 VAC	5-Pin, central 7/8" mini connector	Internal	<b>H2EWXBG323000FD</b>	H2EWXBH323000FD
						External	H2EWXXG323000FD	H2EWXXH323000FD
	4-way, 2-position, air return	3.0	Single solenoid	120 VAC	5-Pin, central 7/8" mini connector	Internal	<b>H21WXBG323000FD</b>	H21WXBH323000FD
						External	H21WXXG323000FD	H21WXXH323000FD
	4-way, 2-position	3.0	Double solenoid	120 VAC	5-Pin, central 7/8" mini connector	Internal	<b>H22WXBG323000FD</b>	H22WXBH323000FD
						External	H22WXXG323000FD	H22WXXH323000FD
	4-way, 3-position, all ports blocked	2.8	Double solenoid	120 VAC	5-Pin, central 7/8" mini connector	Internal	<b>H25WXBG323000FD</b>	H25WXBH323000FD
						External	H25WXXG323000FD	H25WXXH323000FD
	4-way, 3-position, center exhaust	2.8	Double solenoid	120 VAC	5-Pin, central 7/8" mini connector	Internal	<b>H26WXBG323000FD</b>	H26WXBH323000FD
						External	H26WXXG323000FD	H26WXXH323000FD
	4-way, 3-position, pressure center	2.8	Double solenoid	120 VAC	5-Pin, central 7/8" mini connector	Internal	<b>H27WXBG323000FD</b>	H27WXBH323000FD
						External	H27WXXG323000FD	H27WXXH323000FD

5599-1, Non Plug-in, Size 2 (H2) with 3-Pin DIN Connectors

Symbol	Type	Cv	Operator	Voltage	Enclosure	Pilot	Non-locking	Locking
	4-way, 2-position, spring return	3.0	Single solenoid	24 VDC	3-pin DIN connector on coil	Internal	<b>H2EWXBBL49D</b>	H2EWXBCL49D
						External	H2EWXXBL49D	H2EWXXCL49D
	4-way, 2-position, air return	3.0	Single solenoid	24 VDC	3-pin DIN connector on coil	Internal	<b>H21WXBBL49D</b>	H21WXBCL49D
						External	H21WXXBL49D	H21WXXCL49D
	4-way, 2-position	3.0	Double solenoid	24 VDC	3-pin DIN connector on coil	Internal	<b>H22WXBBL49D</b>	H22WXBCL49D
						External	H22WXXBL49D	H22WXXCL49D
	4-way, 3-position, all ports blocked	2.8	Double solenoid	24 VDC	3-pin DIN connector on coil	Internal	<b>H25WXBBL49D</b>	H25WXBCL49D
						External	H25WXXBL49D	H25WXXCL49D
	4-way, 3-position, center exhaust	2.8	Double solenoid	24 VDC	3-pin DIN connector on coil	Internal	<b>H26WXBBL49D</b>	H26WXBCL49D
						External	H26WXXBL49D	H26WXXCL49D
	4-way, 3-position, pressure center	2.8	Double solenoid	24 VDC	3-pin DIN connector on coil	Internal	<b>H27WXBBL49D</b>	H27WXBCL49D
						External	H27WXXBL49D	H27WXXCL49D

 Most popular.

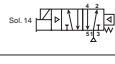
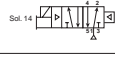
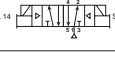
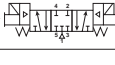
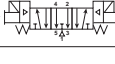

**D**  
 Subbase & Manual Valves  
 H Series Micro  
 Modutrex Series  
 H Series ISO  
 Fieldbus Systems  
 DX ISOMAX Series  
 Valvair II Series






For inventory, lead times, and kit lookup, visit [www.pdnplu.com](http://www.pdnplu.com)







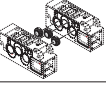
5599-1, Non Plug-in, Size 2 (H2) with 3-Pin DIN Connectors

Symbol	Type	Cv	Operator	Voltage	Enclosure	Pilot	Non-locking	Locking
	4-way, 2-position, spring return	3.0	Single solenoid	120 VAC	3-pin DIN connector on coil	Internal	<b>H2EWXBBL53D</b>	<b>H2EWXBCL53D</b>
						External	<b>H2EWXXBBL53D</b>	<b>H2EWXXCL53D</b>
	4-way, 2-position, air return	3.0	Single solenoid	120 VAC	3-pin DIN connector on coil	Internal	<b>H21WXBBL53D</b>	<b>H21WXBCL53D</b>
						External	<b>H21WXXBBL53D</b>	<b>H21WXXCL53D</b>
	4-way, 2-position	3.0	Double solenoid	120 VAC	3-pin DIN connector on coil	Internal	<b>H22WXBBL53D</b>	<b>H22WXBCL53D</b>
						External	<b>H22WXXBBL53D</b>	<b>H22WXXCL53D</b>
	4-way, 3-position, all ports blocked	2.8	Double solenoid	120 VAC	3-pin DIN connector on coil	Internal	<b>H25WXBBL53D</b>	<b>H25WXBCL53D</b>
						External	<b>H25WXXBBL53D</b>	<b>H25WXXCL53D</b>
	4-way, 3-position, center exhaust	2.8	Double solenoid	120 VAC	3-pin DIN connector on coil	Internal	<b>H26WXBBL53D</b>	<b>H26WXBCL53D</b>
						External	<b>H26WXXBBL53D</b>	<b>H26WXXCL53D</b>
	4-way, 3-position, pressure center	2.8	Double solenoid	120 VAC	3-pin DIN connector on coil	Internal	<b>H27WXBBL53D</b>	<b>H27WXBCL53D</b>
						External	<b>H27WXXBBL53D</b>	<b>H27WXXCL53D</b>

5599-1, Non Plug-in, Size 2 (H2)

Single subbase	Description	1/2" NPT	1/2" BSPP
	Side ported base	<b>PS4111170CP</b>	<b>PS4111180CP</b>
Manifold bases	Description	1/2" NPT	1/2" BSPP
	End ported bases	<b>PS4111570CP</b>	<b>PS4111580CP</b>
	Bottom / end ported bases	<b>PS4111670CP</b>	<b>PS4111680CP</b>
	<b>Note:</b> Manifolds include 2 pipe plugs		
End plate kits	Description	NPT port	BSPP port
	H2 Non-collective wiring end plates	<b>PS4131010DP</b>	<b>PS4131011DP</b>

5599-1, Non Plug-in, Size 2 (H2) Accessories

Accessory	Description	Part number
	Common pressure 5-125 PSIG w/ gauge	<b>PS4137166CP</b>
	Independent pressure 5-125 PSIG w/ gauge	<b>PS4137266CP</b>
	Blanking plate kit	<b>PS4134CP</b>
	Sandwich flow control	<b>PS4142CP</b>
	Sandwich Flow Control and Common Port Sandwich Regulator may be sandwiched together on a manifold or subbase. The Sandwich Flow Control MUST be located between the manifold/subbase and the Common Port Sandwich Regulator.	
	Manifold to manifold gasket kits	<b>PS4113P</b>
	Main galley (1, 3, 5)	<b>PS4132CP</b>
	Pilot galley	<b>PS4033CP</b>

 Most popular.



For inventory, lead time, and kit lookup, visit [www.pdnplu.com](http://www.pdnplu.com)

D113

Parker Hannifin Corporation  
Pneumatic Division  
Richland, Michigan  
[www.parker.com/pneumatics](http://www.parker.com/pneumatics)

D

Subbase & Manual Valves

H Series Micro

Modulflex Series

H Series ISO

Fieldbus Systems

DX ISOMAX Series

Valvair II Series

**How To Order Non Plug-in Add-A-Fold Assemblies**

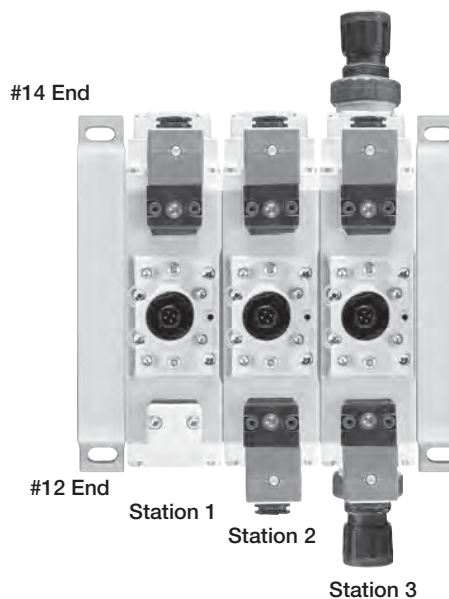
1. List Add-A-Fold Assembly call out. This automatically includes the end plate kit assembly.
2. List complete Valve, Regulator, Flow Control and Base model number. List left to right, LOOKING AT THE CYLINDER PORTS on the #12 end of the manifold. The left most station is station 1. (If a blanking plate part number and the individual manifold number in the station specified.)

**Example**

Application requires a 3-Station manifold with a valve and regulator on Station 3.

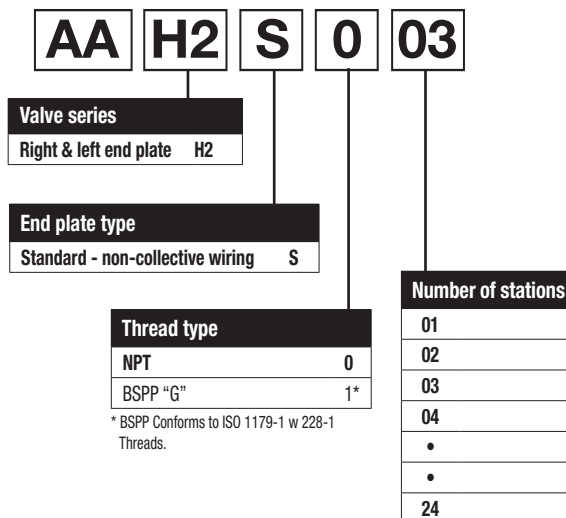
Item	Qty.	Part No.	Location
01	1	AAH2S003	
02	1	H21WXBG2B9000FD	Station 1
03	1	PS4111570CP	Station 1
04	1	H22WXBG2B9000FD	Station 2
05	1	PS4111570CP	Station 2
06	1	H22WXXG2B9000FD	Station 3
07	1	PS4137166CP	Station 3
08	1	PS4111570CP	Station 3

**NOTE:** Construct manifold assemblies from left to right while looking at the cylinder ports.  
 Valves must be ordered as External Pilot when using Sandwich Regulator.



**Example:**  
 3-Station Manifold with (3) H2 Valves on Manifold Bases and Regulator at Station 3

**Add-A-Fold Assembly Model Number**

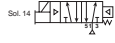
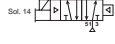
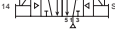
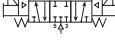
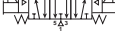
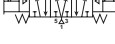


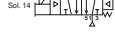

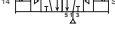
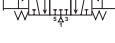
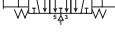
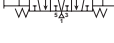
<b>D</b>	Subbase & Manual Valves
H Series Micro	Moduteflex Series
H Series ISO	Fieldbus Systems
DX ISOMAX Series	Valvair II Series



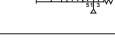
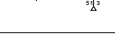
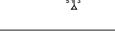
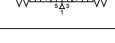
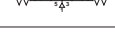
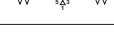
For inventory, lead times, and kit lookup, visit [www.pdnplu.com](http://www.pdnplu.com)

5599-1, Non Plug-in, Size 3 (H3) with Central Connectors

Symbol	Type	Cv	Operator	Voltage	Enclosure	Pilot	Non-locking	Locking
	4-way, 2-position, spring return	6.0	Single solenoid	24 VDC	4-pin, central M12 connector	Internal	<b>H3EWXBG2B9000FD</b>	H3EWXBH2B9000FD
						External	H3EWXG2B9000FD	H3EWXH2B9000FD
	4-way, 2-position, air return	6.0	Single solenoid	24 VDC	4-pin, central M12 connector	Internal	<b>H31WXBG2B9000FD</b>	H31WXBH2B9000FD
						External	H31WXXG2B9000FD	H31WXXH2B9000FD
	4-way, 2-position	6.0	Double solenoid	24 VDC	4-pin, central M12 connector	Internal	<b>H32WXBG2B9000FD</b>	H32WXBH2B9000FD
						External	H32WXXG2B9000FD	H32WXXH2B9000FD
	4-way, 3-position, all ports blocked	5.0	Double solenoid	24 VDC	4-pin, central M12 connector	Internal	<b>H35WXBG2B9000FD</b>	H35WXBH2B9000FD
						External	H35WXXG2B9000FD	H35WXXH2B9000FD
	4-way, 3-position, center exhaust	5.0	Double solenoid	24 VDC	4-pin, central M12 connector	Internal	<b>H36WXBG2B9000FD</b>	H36WXBH2B9000FD
						External	H36WXXG2B9000FD	H36WXXH2B9000FD
	4-way, 3-position, pressure center	5.0	Double solenoid	24 VDC	4-pin, central M12 connector	Internal	<b>H37WXBG2B9000FD</b>	H37WXBH2B9000FD
						External	H37WXXG2B9000FD	H37WXXH2B9000FD

Symbol	Type	Cv	Operator	Voltage	Enclosure	Pilot	Non-locking	Locking
	4-way, 2-position, spring return	6.0	Single solenoid	120 VAC	5-Pin, central 7/8" mini connector	Internal	<b>H3EWXBG323000FD</b>	H3EWXBH323000FD
						External	H3EWXG323000FD	H3EWXH323000FD
	4-way, 2-position, air return	6.0	Single solenoid	120 VAC	5-Pin, central 7/8" mini connector	Internal	<b>H31WXBG323000FD</b>	H31WXBH323000FD
						External	H31WXXG323000FD	H31WXXH323000FD
	4-way, 2-position	6.0	Double solenoid	120 VAC	5-Pin, central 7/8" mini connector	Internal	<b>H32WXBG323000FD</b>	H32WXBH323000FD
						External	H32WXXG323000FD	H32WXXH323000FD
	4-way, 3-position, all ports blocked	5.0	Double solenoid	120 VAC	5-Pin, central 7/8" mini connector	Internal	<b>H35WXBG323000FD</b>	H35WXBH323000FD
						External	H35WXXG323000FD	H35WXXH323000FD
	4-way, 3-position, center exhaust	5.0	Double solenoid	120 VAC	5-Pin, central 7/8" mini connector	Internal	<b>H36WXBG323000FD</b>	H36WXBH323000FD
						External	H36WXXG323000FD	H36WXXH323000FD
	4-way, 3-position, pressure center	5.0	Double solenoid	120 VAC	5-Pin, central 7/8" mini connector	Internal	<b>H37WXBG323000FD</b>	H37WXBH323000FD
						External	H37WXXG323000FD	H37WXXH323000FD

5599-1, Non Plug-in, Size 3 (H3) with 3-Pin DIN Connectors

Symbol	Type	Cv	Operator	Voltage	Enclosure	Pilot	Non-locking	Locking
	4-way, 2-position, spring return	6.0	Single solenoid	24 VDC	3-pin DIN connector on coil	Internal	<b>H3EWXBBL49D</b>	H3EWXBCL49D
						External	H3EWXBL49D	H3EWXCL49D
	4-way, 2-position, air return	6.0	Single solenoid	24 VDC	3-pin DIN connector on coil	Internal	<b>H31WXBBL49D</b>	H31WXBCL49D
						External	H31WXXBL49D	H31WXXCL49D
	4-way, 2-position	6.0	Double solenoid	24 VDC	3-pin DIN connector on coil	Internal	<b>H32WXBBL49D</b>	H32WXBCL49D
						External	H32WXXBL49D	H32WXXCL49D
	4-way, 3-position, all ports blocked	5.0	Double solenoid	24 VDC	3-pin DIN connector on coil	Internal	<b>H35WXBBL49D</b>	H35WXBCL49D
						External	H35WXXBL49D	H35WXXCL49D
	4-way, 3-position, center exhaust	5.0	Double solenoid	24 VDC	3-pin DIN connector on coil	Internal	<b>H36WXBBL49D</b>	H36WXBCL49D
						External	H36WXXBL49D	H36WXXCL49D
	4-way, 3-position, pressure center	5.0	Double solenoid	24 VDC	3-pin DIN connector on coil	Internal	<b>H37WXBBL49D</b>	H37WXBCL49D
						External	H37WXXBL49D	H37WXXCL49D

 Most popular.



For inventory, lead time, and kit lookup, visit [www.pdnplu.com](http://www.pdnplu.com)

D115

Parker Hannifin Corporation  
Pneumatic Division  
Richland, Michigan  
[www.parker.com/pneumatics](http://www.parker.com/pneumatics)

D

Subbase & Manual Valves

H Series Micro

Modulflex Series


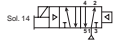
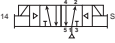



H Series ISO

Fieldbus Systems




DX ISOMAX Series

Valvair II Series






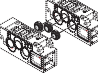
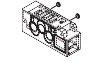
**5599-1, Non Plug-in, Size 3 (H3) with 3-Pin DIN Connectors**

Symbol	Type	Cv	Operator	Voltage		Pilot	Non-locking	Locking
	4-way, 2-position, spring return	6.0	Single solenoid	120 VAC	3-pin DIN connector on coil	Internal	<b>H3EWXBBL53D</b>	<b>H3EWXBCL53D</b>
						External	<b>H3EWXXBL53D</b>	<b>H3EWXXCL53D</b>
	4-way, 2-position, air return	6.0	Single solenoid	120 VAC	3-pin DIN connector on coil	Internal	<b>H31WXBBL53D</b>	<b>H31WXBCL53D</b>
						External	<b>H31WXXBL53D</b>	<b>H31WXXCL53D</b>
	4-way, 2-position	6.0	Double solenoid	120 VAC	3-pin DIN connector on coil	Internal	<b>H32WXBBL53D</b>	<b>H32WXBCL53D</b>
						External	<b>H32WXXBL53D</b>	<b>H32WXXCL53D</b>
	4-way, 3-position, all ports blocked	5.0	Double solenoid	120 VAC	3-pin DIN connector on coil	Internal	<b>H35WXBBL53D</b>	<b>H35WXBCL53D</b>
						External	<b>H35WXXBL53D</b>	<b>H35WXXCL53D</b>
	4-way, 3-position, center exhaust	5.0	Double solenoid	120 VAC	3-pin DIN connector on coil	Internal	<b>H36WXBBL53D</b>	<b>H36WXBCL53D</b>
						External	<b>H36WXXBL53D</b>	<b>H36WXXCL53D</b>
	4-way, 3-position, pressure center	5.0	Double solenoid	120 VAC	3-pin DIN connector on coil	Internal	<b>H37WXBBL53D</b>	<b>H37WXBCL53D</b>
						External	<b>H37WXXBL53D</b>	<b>H37WXXCL53D</b>

**5599-1, Non Plug-in, Size 3 (H3)**

	<b>Single subbase</b>	<b>Description</b>	<b>3/4" NPT</b>	<b>3/4" BSPP</b>
		Side ported base	<b>PS4211190CP</b>	<b>PS4211180CP</b>
	<b>Manifold bases</b>	<b>Description</b>	<b>3/4" NPT</b>	<b>3/4" BSPP</b>
		End ported bases	<b>PS4211590CP</b>	<b>PS4211500CP</b>
		Bottom / end ported bases	<b>PS4211690CP</b>	<b>PS4211600CP</b>
		<b>Note:</b> Manifolds include 2 pipe plugs		
	<b>End plate kits</b>	<b>Description</b>	<b>NPT port</b>	<b>BSPP port</b>
		H3 Non-collective wiring end plates	<b>PS4231010DP</b>	<b>PS4231011DP</b>

**5599-1, Non Plug-in, Size 3 (H3) Accessories**

	Accessory	Description	Part number
	Sandwich regulator	Common pressure 5-125 PSIG w/ gauge	<b>PS4237166CP</b>
		Independent pressure 5-125 PSIG w/ gauge	<b>PS4237266CP</b>
	Blanking plate kit		<b>PS4234CP</b>
	Sandwich flow control		<b>PS4242CP</b>
	Sandwich Flow Control and Common Port Sandwich Regulator may be sandwiched together on a manifold or subbase. The Sandwich Flow Control MUST be located between the manifold/subbase and the Common Port Sandwich Regulator.		
	Manifold to manifold gasket kits		<b>PS4213P</b>
	Manifold port isolation kit	Main galley (1, 3, 5)	<b>PS4232CP</b>
		Pilot galley	<b>PS4033CP</b>

 Most popular.



For inventory, lead times, and kit lookup, visit [www.pdnplu.com](http://www.pdnplu.com)

D116

**Parker Hannifin Corporation**  
 Pneumatic Division  
 Richland, Michigan  
[www.parker.com/pneumatics](http://www.parker.com/pneumatics)

**D**  
 Subbase & Manual Valves  
 H Series Micro  
 Moduteflex Series  
 H Series ISO  
 Fieldbus Systems  
 DX ISOMAX Series  
 Valvair II Series

**How To Order Non Plug-in Add-A-Fold Assemblies**

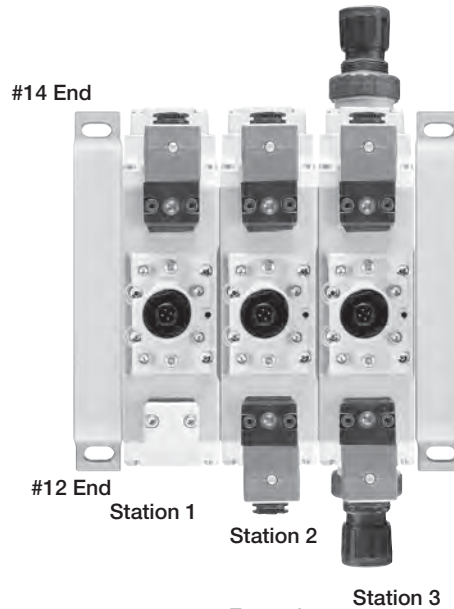
1. List Add-A-Fold Assembly call out. This automatically includes the end plate kit assembly.
2. List complete Valve, Regulator, Flow Control and Base model number. List left to right, LOOKING AT THE CYLINDER PORTS on the #12 end of the manifold. The left most station is station 1. (If a blank station is needed, list the blanking plate part number and the individual manifold number in the station specified.)

**Example**

Application requires a 3-Station manifold with a valve and regulator on Station 3.

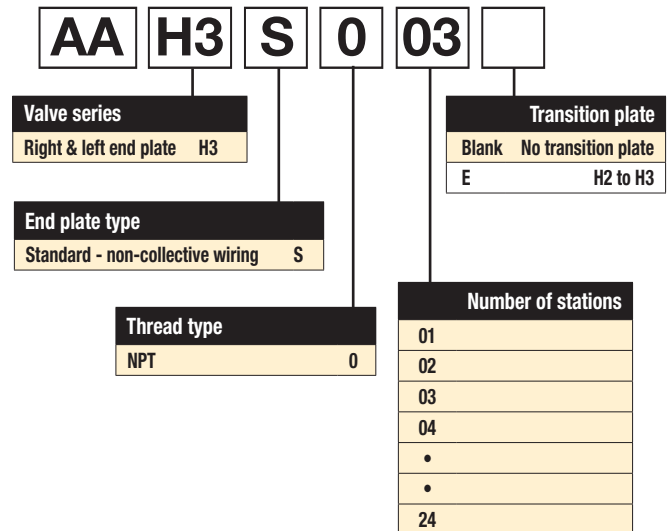
Item	Qty.	Part No.	Location
01	1	AAH3S003	
02	1	H31WXBG2B9000FD	Station 1
03	1	PS4211590CP	Station 1
04	1	H32WXBG2B9000FD	Station 2
05	1	PS4211590CP	Station 2
06	1	H32WXXG2B9000FD	Station 3
07	1	PS4237166CP	Station 3
08	1	PS4211590CP	Station 3

**NOTE:** Construct manifold assemblies from left to right while looking at the cylinder ports.  
 Valves must be ordered as External Pilot when using Sandwich Regulator.

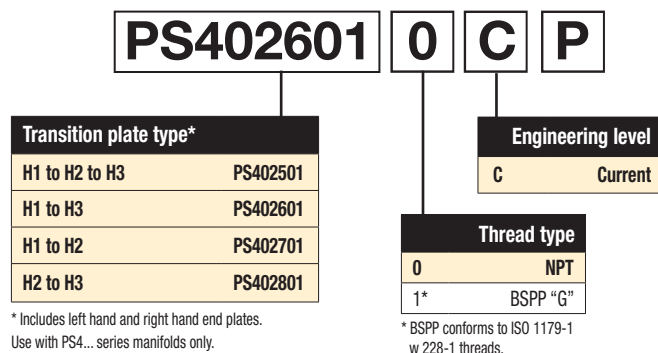


Example:  
 3-Station Manifold with (3) H3 Valves  
 on Manifold Bases and Regulator at Station 3

**Add-A-Fold Assembly Model Number**



**5599-1 Non Plug-in Transition Plate Kits**



\* Includes left hand and right hand end plates.  
 Use with PS4... series manifolds only.

\* BSPP conforms to ISO 1179-1 w 228-1 threads.



Most popular.



For inventory, lead time, and kit lookup, visit [www.pdnplu.com](http://www.pdnplu.com)

D117

**Parker Hannifin Corporation**  
 Pneumatic Division  
 Richland, Michigan  
[www.parker.com/pneumatics](http://www.parker.com/pneumatics)

**D**

Subbase & Manual Valves

H Series Micro

Moduflex Series

H Series ISO

Fieldbus Systems

DX ISOMAX Series

Valvair II Series



**Non Plug-in, 5599-1, Central Connector - Size 1, 2, & 3**

**H1 E WX B G 2B9 000F D**

Basic series 5599-1	
ISO 5599-1 Size 1	H1
ISO 5599-1 Size 2	H2
ISO 5599-1 Size 3	H3

5599 -1 Engineering level	
D	Current

5599-1 Operator / Function	
Single solenoid, 2-position - air return	1
Double solenoid, 2-position	2
Double solenoid, 3-position - APB	5
Double solenoid, 3-position - CE	6
Double solenoid, 3-position - PC	7
Single solenoid, 2-position - air return, spring assist	E

5599-1 Central connector wiring options	
000C	Chrysler
000F*	SAE / Ford, ISO 20401
000G	General Motors

\* Complies to ISO 20401 with Enclosure Lead Length "2".

5599-1 Mounting	
Valve less base	WX

5599-1 Pilot source / Pilot exhaust	
Internal pilot, port #1 / vented	B
External pilot, port #12 or #14 / vented	X*

\* Must be specified when using Sandwich Regulators.

5599-1 Overrides / Lights	
Non-locking, flush, with light	G
Locking, flush, with light	H

Enclosure / Lead length / Voltage*				
	AC		DC	
	60Hz	50Hz		
1B9 <sup>†</sup>			24	3-pin, central mini connector
123 <sup>†</sup>	120	115		3-pin, central mini connector
<b>2B9</b>			<b>24</b>	<b>4-pin, central M12 connector</b>
3B9			24	5-pin, central mini connector
323	120	115		5-pin, central mini connector
619 <sup>†</sup>			24	2-pin, M12 connector on coil

\* All coils include LED & suppression

<sup>†</sup> Operator function "1" or "E"

\* Only available with wiring option "000F"

**D**  
 Subbase & Manual Valves  
 H Series Micro  
 Modutefx Series  
 H Series ISO  
 Fieldbus Systems  
 DX ISOMAX Series  
 Valvair II Series

**Non Plug-in, 5599-1, CNOMO - Size 1, 2, & 3**

**H1 E WX B B L53 D**

Basic series 5599-1	
ISO 5599-1 Size 1	H1
ISO 5599-1 Size 2	H2
ISO 5599-1 Size 3	H3

5599-1 Engineering level	
D	Current

5599-1 Operator / Function	
Single solenoid, 2-position - air return	1
Double solenoid, 2-position	2
Double solenoid, 3-position - APB	5
Double solenoid, 3-position - CE	6
Double solenoid, 3-position - PC	7
Single solenoid, 2-position - air return, spring assist	E

Enclosure / Lead length / Voltage				
	AC		DC	
	60Hz	50Hz		
L42	24			3-pin, 30mm DIN 43650A with CNOMO connector
L45			12	3-pin, 30mm DIN 43650A with CNOMO connector
<b>L49</b>			<b>24</b>	<b>3-pin, 30mm DIN 43650A with CNOMO connector</b>
<b>L53</b>	<b>120</b>	<b>115</b>		<b>3-pin, 30mm DIN 43650A with CNOMO connector</b>
L57	240			3-pin, 30mm DIN 43650A with CNOMO connector
NXX				Valve less coil

5599-1 Mounting	
Valve less base	WX

5599-1 Pilot source / Pilot exhaust	
Internal pilot, port #1 / vented	B
External pilot, port #12 or #14 / vented	X*

\* Must be specified when using Sandwich Regulators.

5599-1 Overrides / Lights	
<b>B</b>	<b>Non-locking, flush, push - no light</b>
C	Locking, flush, push / turn - no light

Most popular.



For inventory, lead times, and kit lookup, visit [www.pdnplu.com](http://www.pdnplu.com)

D118

**Parker Hannifin Corporation**  
 Pneumatic Division  
 Richland, Michigan  
[www.parker.com/pneumatics](http://www.parker.com/pneumatics)



**Non Plug-in, 5599-1, Size 1, 2, & 3 Manifold / Subbase Kits**

**PS401155 0 D P**

Engineering Level	
C	For H2 & H3
D	For H1

Enclosures / Lead Length	
0	None, No Electrical Plug - 5599-1

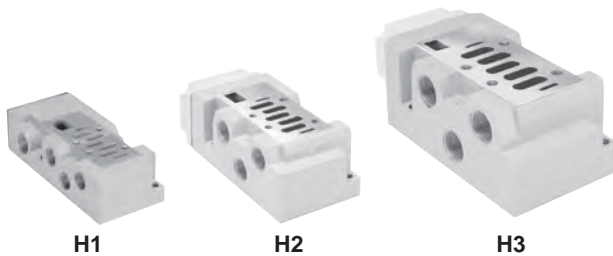
Mounting Base Style / Port Size		H1 Series		H2 Series		H3 Series	
Subbase: 3/8 NPT Side Ports	PS401115	Subbase: 1/2 NPT Side Ports	PS411117	Subbase: 3/4 NPT Side Ports	PS421119		
Subbase: 3/8 BSPP Side Ports	PS401116	Subbase: 1/2 BSPP Side Ports	PS411118*	Subbase: 3/4 BSPP Side Port	PS421110*		
Manifold: 3/8 NPT End Ports	PS401155	Manifold: 1/2 NPT End Port	PS411157	Manifold: 3/4 NPT End Port	PS421159		
Manifold: 3/8 BSPP End Ports	PS401156*	Manifold: 1/2 BSPP End Ports	PS411158*	Manifold: 3/4 BSPP End Port	PS421150*		
Manifold: 3/8 NPT Bottom / End Port	PS401165†	Manifold: 1/2 NPT Bottom / End Port	PS411167	Manifold: 3/4 NPT Bottom / End Port	PS421169		
Manifold: 3/8 BSPP Bottom / End Port	PS401166*†	Manifold: 1/2 BSPP Bottom / End Port	PS411168*	Manifold: 3/4 BSPP Bottom / End Port	PS421160*		

\* BSPP Conforms to ISO 1179-1 w 228-1 Threads.

† #1 Bottom Port - 1/4".

**Subbase Kits**

**Manifold Kits**



**Non-Plug-in, 5599-1, End Plate Kits**

**PS403101 0 C P**

Basic Series	
ISO 5599, Size 1	PS403101
ISO 5599, Size 2	PS413101
ISO 5599, Size 3	PS423101

Thread Type	
0	NPT
1*	BSPP "G"

\* BSPP Conforms to ISO 1179-1 w 228-1 Threads.



**H1 Non-Collective Wiring End Plates**



For inventory, lead time, and kit lookup, visit [www.pdnplu.com](http://www.pdnplu.com)

D119

**Parker Hannifin Corporation**  
 Pneumatic Division  
 Richland, Michigan  
[www.parker.com/pneumatics](http://www.parker.com/pneumatics)

**D**

Subbase & Manual Valves

H Series Micro

Moduflex Series

H Series ISO

Fieldbus Systems

DX ISOMAX Series

Valvair II Series

**Non Plug-in, 5599-1, Sandwich Regulators**

**PS4037 1 6 6 C P**

Basic Series	
H1	
5599-1, Non Plug-in	PS4037
H2	
5599-1, Non Plug-in	PS4137
H3	
5599-1, Non Plug-in	PS4237

Regulator Function	
Common Pressure Regulator	1
Independent Pressure Regulator	2

#2 Port Regulator / Gauge*	
0**	Line By-Pass Plate
4	1-30 PSIG w/Gauge
5	2-60 PSIG w/Gauge
6	5-125 PSIG w/Gauge
D	Remote Pilot ISO 2 & 3 only

\* For Common Pressure Regulator Option, Regulator Gauge callout must be the same number for both Port #4 and Port #2. (Example: 166)

\*\* Pressure Line By-Pass Option can only be used with Independent Pressure Regulators.

#4 Port Regulator / Gauge*	
0**	Line By-Pass Plate
4	1-30 PSIG w/Gauge
5	2-60 PSIG w/Gauge
6	5-125 PSIG w/Gauge
D	Remote Pilot ISO 2 & 3 only

\* For Common Pressure Regulator Option, Regulator Gauge callout must be the same number for both Port #4 and Port #2. (Example: 166)

\*\* Pressure Line By-Pass Option can only be used with Independent Pressure Regulators.

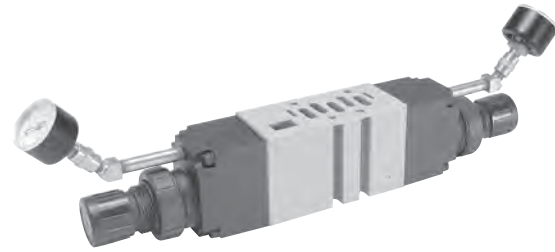
**BOLD OPTIONS ARE MOST POPULAR.**

**Ordering Components**

- Sandwich Regulator Kit configured for Internal Pilot as standard.
- Order valve as External Pilot.



**H1 - Size 1**  
 (Independent Dual Port Regulator Shown)



**H2 - Size 2**  
 (Independent Dual Port Regulator Shown)

**How to Configure Sandwich Regulator / Valve Combinations**

**Internal Pilot Configuration of Sandwich Regulator H1, H2 & H3**

Pressure in Base Port 1 feeds regulator configured for Internal Pilot which feeds valve configured for External Pilot.

**External Pilot Configuration of Sandwich Regulator H1, H2, H3**

An External Pilot pressure in Port 12 or 14 of the base feeds thru the Sandwich Regulator 12 or 14 galley directly to the 12/14 pilot of the valve. This configuration takes an External Pilot from the 12 port of the base and passes it thru the regulator to feed the 12 galley of the valve.

**Sandwich Regulator Cv Flow Chart\***

	Common Pressure Code 166				Single Pressure 2 Code 266				Single Pressure 4 Code 260				Dual Pressure Code 266			
	1-2	1-4	2-3	4-5	1-2	1-4	2-3	4-5*	1-2	1-4	2-3	4-5*	1-2	1-4	2-3	4-5*
<b>H1</b>	0.62	0.61	1.28	1.18	0.73	0.96	0.96	0.93	0.34	0.70	0.94	0.98	0.52	0.48	0.86	0.88
<b>H2</b>	1.47	1.60	2.41	2.33	1.71	1.90	1.52	1.75	1.74	1.67	1.73	1.79	1.61	1.62	1.50	1.67
<b>H3</b>	2.37	2.39	4.30	4.47	2.37	2.81	2.75	3.01	2.65	2.59	2.68	2.74	2.43	2.41	3.16	3.04

\* Regulator Port exhaust through Base Port 3.

Note: All Cv's calculated with regulator adjusted full open.



For inventory, lead times, and kit lookup, visit [www.pdnplu.com](http://www.pdnplu.com)

D120

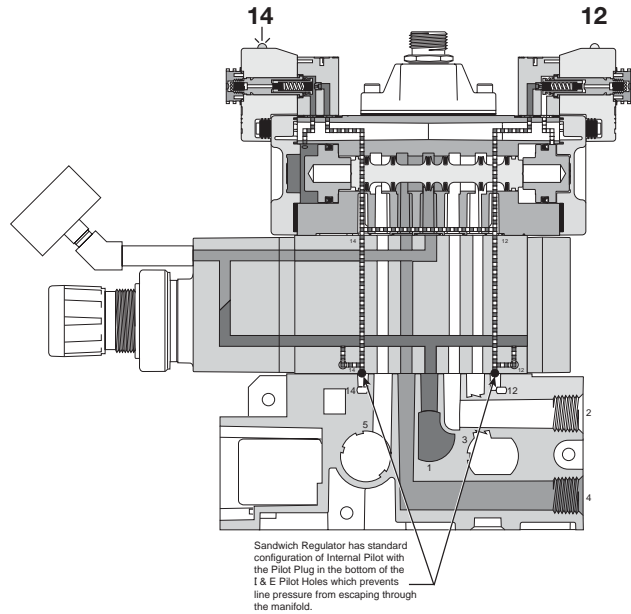
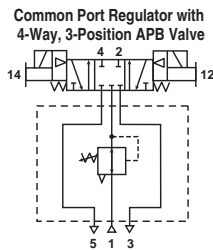
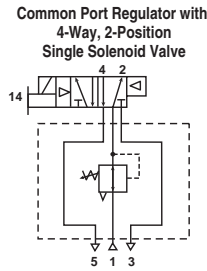
**Parker Hannifin Corporation**  
 Pneumatic Division  
 Richland, Michigan  
[www.parker.com/pneumatics](http://www.parker.com/pneumatics)

**D**  
 Subbase & Manual Valves  
 H Series Micro  
 Modutec Series  
 H Series ISO  
 Fieldbus Systems  
 DX ISOMAX Series  
 Valvair II Series

**Non Plug-in, H1, H2, H3 Common Port Regulation**

Provides adjustable regulated air pressure to the valve's #1 port which gives the same regulated pressure to both the #2 and #4 port of the manifold or subbase. The regulator is always on the 14 end of the valve.

**H2 Common Port Regulator Shown - Double Solenoid, 14 Energized, Internal Pilot**

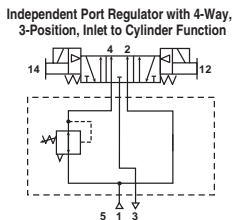
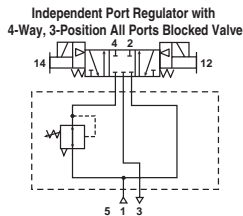


**Non Plug-in, H1, H2, H3 Independent Port Regulation**

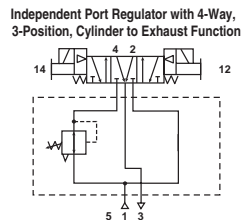
**Single Port Regulator**

Provides regulated pressure to one of the ports and full line pressure to the other by use of the Line Pressure By-Pass Plate. Pressure regulation can occur out of the #4 port of the valve.

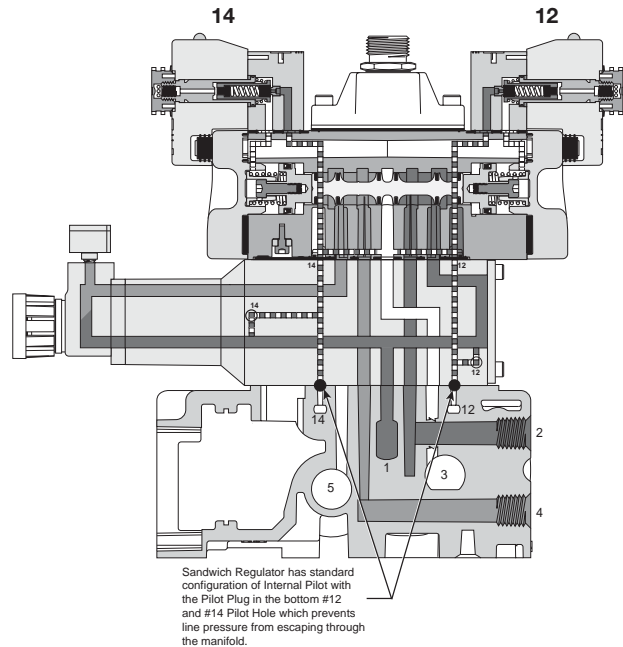
**H1 Independent Port Regulator Shown - Double Solenoid, De-energized, Internal Pilot**



⚠ CAUTION: Requires 4-Way, 3-Position, Cylinder to Exhaust Valve



⚠ CAUTION: Requires 4-Way, 3-Position, Inlet to Cylinder Valve



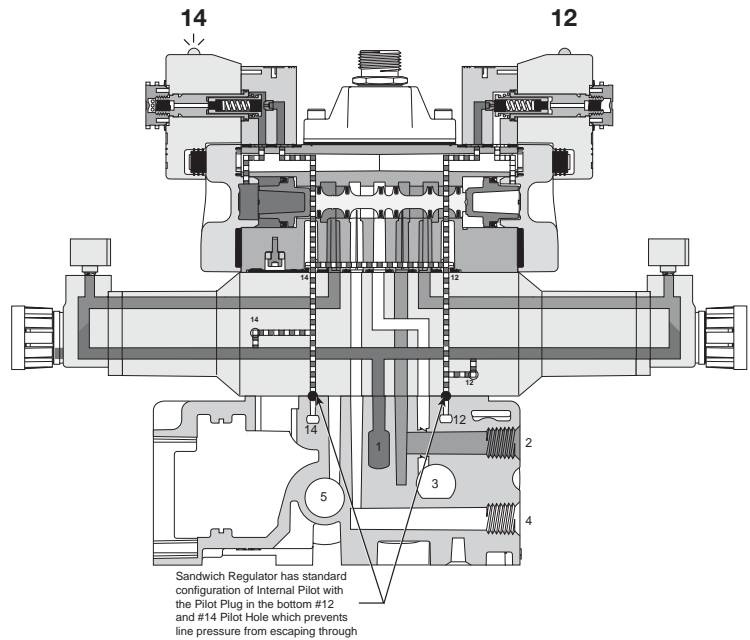
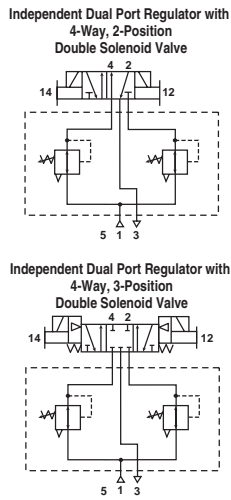
For inventory, lead time, and kit lookup, visit [www.pdnplu.com](http://www.pdnplu.com)

**Non Plug-in, H1, H2, H3 Independent Dual Port Regulation**

**Dual Port Regulator**

Provides regulated pressure to both ports. Pressure regulation can occur out of the #2 or #4 port of the valve.

**H1 Independent Dual Port Regulator Shown - Double Solenoid, 14 Energized, Internal Pilot**



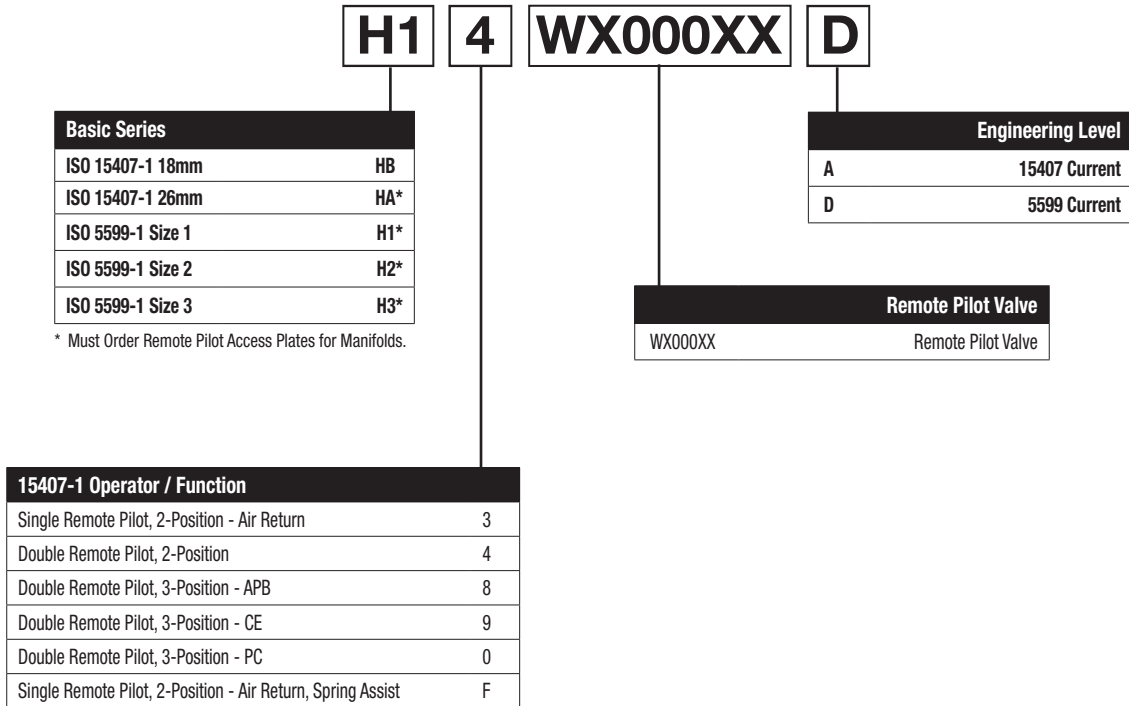
*When using an Independent Pressure Sandwich Regulator, the cylinder outlet ports are reversed. The 12 end energizes the #4 port and the 14 end energizes the #2 port. The 3-Position CE and PC functions are also reversed. (See schematics on above.)*

D	Subbase & Manual Valves
	H Series Micro
	Modulflex Series
	H Series ISO
	Fieldbus Systems
	DX ISOMAX Series
Valvair II Series	



For inventory, lead times, and kit lookup, visit [www.pdnplu.com](http://www.pdnplu.com)

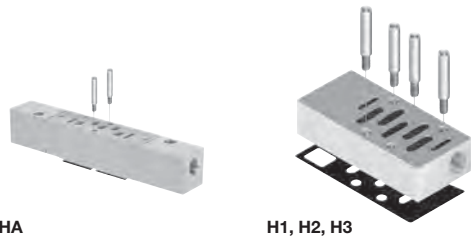
**Remote Pilot, Size 18mm (HB), 26mm (HA), H1, H2, & H3**



*Note: For manifolds, end plates, and accessories, see 15407-1 & 5599-1 Non Plug-in valve section.*

*Note: HB 18mm Valve Remote Pilot Option only available with PL02 Individual Subbase Kits.*

**Remote Pilot Access Plate Kits**



Size	Port size	NPT	BSPP "G"
HA	1/4"	PS551500P	PS551501P
H1	1/8"	PS401500CP	PS401501CP
H2	1/8"	PS411500CP	PS411501CP
H3	1/8"	PS421500CP	PS421501CP

Kit includes: Pilot Port Access Plate, Gasket and Mounting Studs.



For inventory, lead time, and kit lookup, visit [www.pdnplu.com](http://www.pdnplu.com)

Subbase & Manual Valves	D
H Series Micro	
Moduflex Series	
H Series ISO	
Fieldbus Systems	
DX ISOMAX Series	
Valvair II Series	

**Flow Rating (Cv)**

Valve size	Port size	2-Position		3-Position	
HB	1/8"	0.55 Cv, C = 1.5 NI/s x bar, b = 0.25, Qn = 390 l/min, Qmax = 648 l/min		0.50 Cv, C = 1.4 NI/s x bar, b = 0.25, Qn = 360 l/min, Qmax = 595 l/min	
HA	1/4"	1.1 Cv, C = 3.6 NI/s x bar, b = 0.30, Qn = 918 l/min, Qmax = 1518 l/min		1.0 Cv, C = 3.3 NI/s x bar, b = 0.30, Qn = 845 l/min, Qmax = 1395 l/min	
H1	3/8"	1.5 Cv, C = 5.0 NI/s x bar, b = 0.30, Qn = 1248 l/min, Qmax = 2070 l/min		1.2 Cv, C = 4.1 NI/s x bar, b = 0.30, Qn = 1000 l/min, Qmax = 1660 l/min	
H2	1/2"	3.0 Cv, C = 9.7 NI/s x bar, b = 0.35, Qn = 2520 l/min, Qmax = 4140 l/min		2.8 Cv, C = 9.0 NI/s x bar, b = 0.35, Qn = 2340 l/min, Qmax = 3860 l/min	
H3	3/4"	6.0 Cv, C = 18.7 NI/s x bar, b = 0.35, Qn = 5022 l/min, Qmax = 7848 l/min		5.0 Cv, C = 15.4 NI/s x bar, b = 0.35, Qn = 4185 l/min, Qmax = 6545 l/min	

Cv tested per ANSI / (NFPA) T3.21.3  
 Flow tested According to ISO 6358.

**Response Time\*\* (ms)**

Valve Size	Port Size	0 Cu. In. Chamber		## Cu. In. Chamber	
		Fill	Exhaust	Fill	Exhaust
<b>Single Solenoid 2-Position - Air Return / Spring Assist</b>					
HB	1/8"	28	30	141	154
HA	1/4"	24	26	77	124
H1	3/8"	39	41	159	210
H2	1/2"	78	81	219	310
H3	3/4"	90	93	244	320

## HB (12), HA (25), H1 (50), H2 (100), H3 (200)

\*\* With 100 PSIG supply, time (ms) required to fill from 0 to 90 PSIG and Exhaust from 100 PSIG to 10 PSIG measured from the instant of energizing or de-energizing 24VDC solenoid.

Tested per ANSI / (NFPA) T3.21.8

**Operating Pressure**

**Maximum: 145 PSIG (1000 kPa)**

**Minimum:**

Operator / Function	Internal Pilot	PSIG (Min. kPa) HB	PSIG (Min. kPa) HA	PSIG (Min. kPa) H1	PSIG (Min. kPa) H2	PSIG (Min. kPa) H3
1	Single Solenoid - 2-Position	30	25	25	25	35
2	Double Solenoid - 2-Position	(207)	(173)	(173)	(173)	(241)
3	Single Remote Pilot - 2-Position **	Vacuum	Vacuum	Vacuum	Vacuum	Vacuum
4	Double Remote Pilot - 2-Position**	Vacuum	Vacuum	Vacuum	Vacuum	Vacuum
5, 6, 7	Double Solenoid - 3-Position APB, CE, PC	35 (241)	35 (241)	35 (241)	50 (345)	50 (345)
8, 9, 0	Double Remote Pilot - 3-Position** APB, CE, PC	Vacuum	Vacuum	Vacuum	Vacuum	Vacuum
E	Single Solenoid Pilot - 2-Position Air Return / Spring Assist	30 (207)	30 (207)	35 (241)	45 (310)	45 (310)
F	Single Remote Pilot - 2-Position** Air Return / Spring Assist	30 (207)	N/A	N/A	N/A	N/A
N, P, Q	Double Solenoid - Dual 3/2 External Pilot*	*	*	*	*	*
All	H Series	Vacuum	Vacuum	Vacuum	Vacuum	Vacuum

\* External Pilot Pressure / Remote Pilot Supply - Must meet or exceed minimum pilot pressure for internal pilot option. Not available on Operator / Function N, P, or Q.

\*\* Must be equal to or greater than operating pressure.

**D**  
 Subbase & Manual Valves  
 H Series Micro  
 Modulflex Series  
 H Series ISO  
 Fieldbus Systems  
 DX ISOMAX Series  
 Valvair II Series



For inventory, lead times, and kit lookup, visit [www.pdnplu.com](http://www.pdnplu.com)

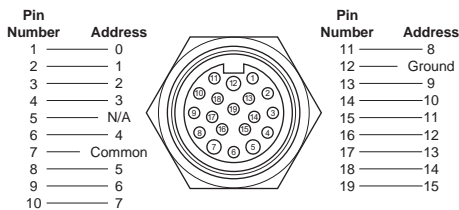


**Minimum Operating Voltage**

	HB	HA	H1	H2	H3
<b>MOV (24VDC)</b>	20.4	20.4	20.4	20.4	20.4
<b>MOV (120VAC)</b>	102*	102*	102	102	102

\* 120VAC coils have a dropout voltage of 10VAC when used with solid state relays. A pull-down resistor may be necessary.

**19-Pin Round Brad Harrison**



Face View - Male 19-Pin Connector

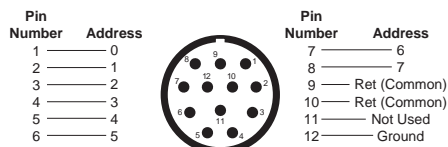
**19-Pin Round Cable Specifications**

Common Pin "7" is rated for 8 amps. Cable common wire must be greater than total amperage of solenoids on Add-A-Fold assembly.

**Example:** 8 station manifold, 16 solenoids, 120VAC - 16 x .039 amps = .63 total amp rating.

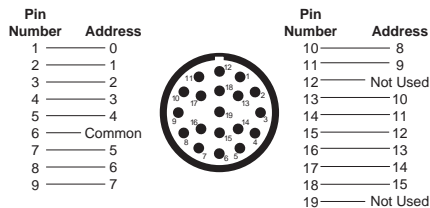
NEMA 4 rated with properly assembled NEMA 4 rated cable.

**M23, 12-Pin Round Connector (Male)**



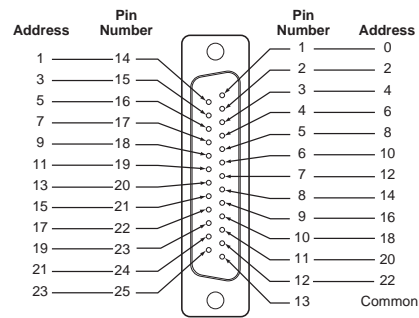
View into End Plate Connector - Male M23, 12-Pin

**M23, 19-Pin Round Connector (Male)**



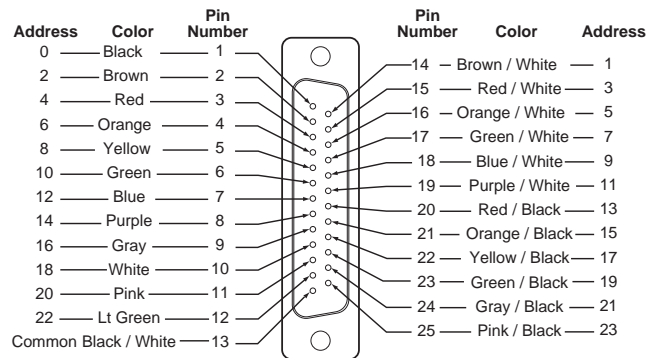
View into End Plate Connector - Male M23, 19-Pin

**25-Pin, D-Sub Connector (Male)**



View into End Plate Connector - Male D-Sub, 25-Pin

**25-Pin, D-Sub Cable (Female)**



Description	Length	Part number
25-pin, D-sub cable, IP20	3 Meters	<b>P8LMH25M3A</b>
25-pin, D-sub cable, IP20	9 Meters	<b>SCD259D</b>
25-pin, D-sub cable, IP65	3 Meters	<b>SCD253W</b>
25-pin, D-sub cable, IP65	9 Meters	<b>SCD259WE</b>

D

Subbase & Manual Valves

H Series Micro

Moduflex Series

H Series ISO

Fieldbus Systems

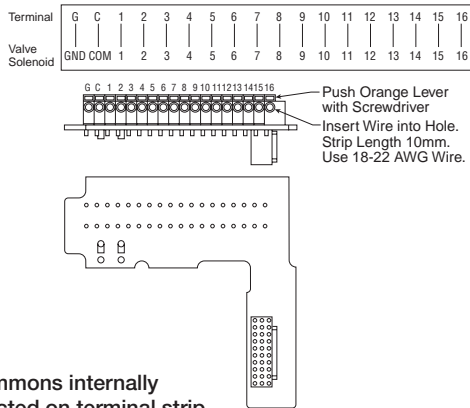
DX ISOMAX Series

Valvair II Series



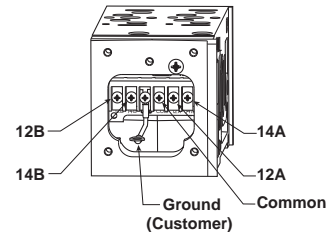
For inventory, lead time, and kit lookup, visit [www.pdnplu.com](http://www.pdnplu.com)

**16-Point Terminal Strip**



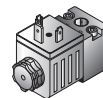
All commons internally connected on terminal strip

**Manifold Wiring**

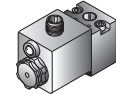


**Electrical Connectors - Size 1, 2 & 3**

**5599-1 CNOMO**



30mm 3-Pin ISO 4400 (DIN 43650A)

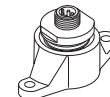


2-Pin M12 Euro

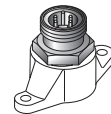
**5599-1 AUTO**



3-Pin Mini

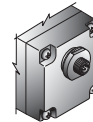


4-Pin Micro

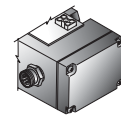


5-Pin Mini

**5599-2**

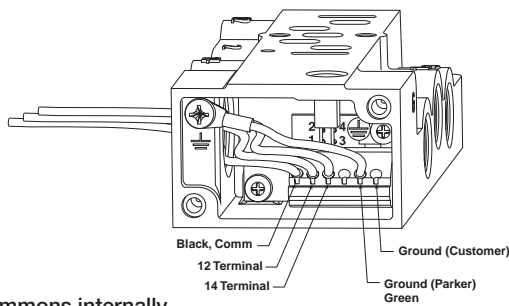


Manifold Auto Connector



Subbase Auto Connector

**Subbase Wiring**



All commons internally connected on terminal strip

**Connections**

	14 Solenoid	12 Solenoid
Valves with Wires	Black Wires	Red Wires
Valves with Terminal Block (Will accept 18 to 24 Gauge Wires)	14 and Com Terminals	12 and Com Terminals

**D**  
 Subbase & Manual Valves  
 H Series Micro  
 Modutlex Series  
 H Series ISO  
 Fieldbus Systems  
 DX ISOMAX Series  
 Valvair II Series

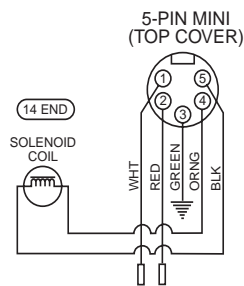


For inventory, lead times, and kit lookup, visit [www.pdnplu.com](http://www.pdnplu.com)

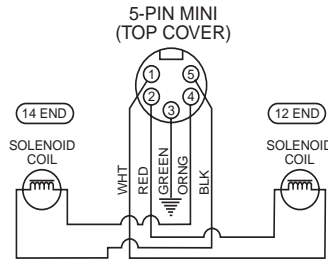
# Automotive Connection – Wiring Options

## 'C' Chrysler Connection

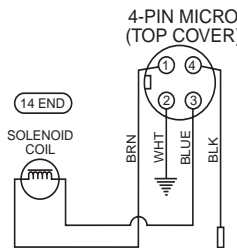
**5-Pin Male / Single Solenoid**  
 (Encl. Option 3, Auto Option C)



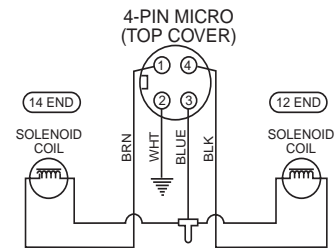
**5-Pin Male / Double Solenoid**  
 (Encl. Option 3, Auto Option C)



**4-Pin Male / Single Solenoid**  
 (Encl. Option 2, Auto Option C)

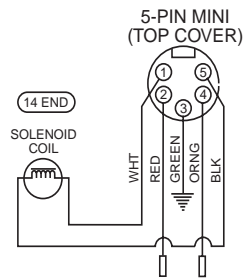


**4-Pin Male / Double Solenoid**  
 (Encl. Option 2, Auto Option C)

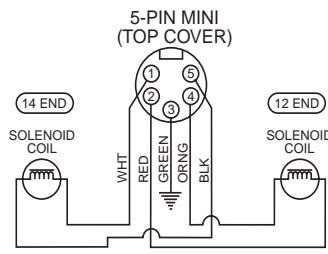


## 'F' SAE / Ford Wiring

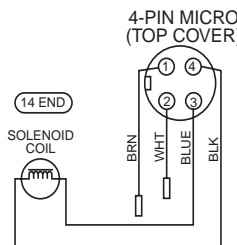
**5-Pin Male / Single Solenoid**  
 (Encl. Option 3, Auto Option F)



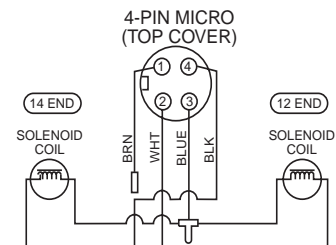
**5-Pin Male / Double Solenoid**  
 (Encl. Option 3, Auto Option F)



**ISO 20401**  
**4-Pin Male / Single Solenoid**  
 (Encl. Option 2, Auto Option F)

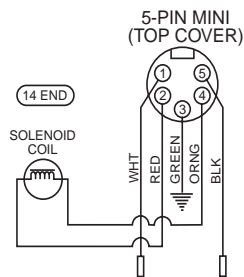


**ISO 20401**  
**4-Pin Male / Double Solenoid**  
 (Encl. Option 2, Auto Option F)

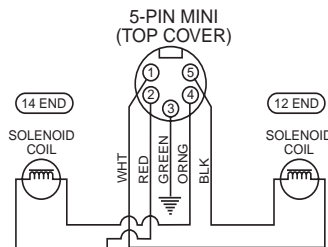


## 'G' GM Wiring

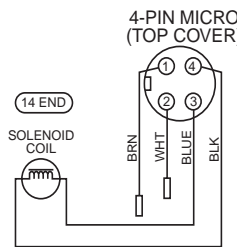
**5-Pin Male / Single Solenoid**  
 (Encl. Option 3, Auto Option G)



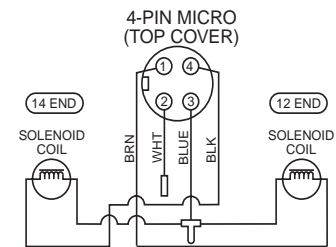
**5-Pin Male / Double Solenoid**  
 (Encl. Option 3, Auto Option G)



**4-Pin Male / Single Solenoid**  
 (Encl. Option 2, Auto Option G)

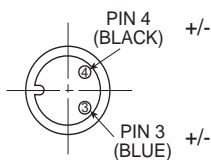


**4-Pin Male / Double Solenoid**  
 (Encl. Option 2, Auto Option G)

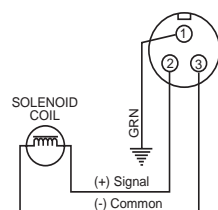


## CNOMO Connection - Wiring Options

**2-Pin Male / Single Solenoid**  
 (Encl. Option 6, Auto Option F)



**3-Pin Male / Single Solenoid**  
 (Encl. Option 1, Auto Options C, F & G)



For inventory, lead time, and kit lookup, visit [www.pdnplu.com](http://www.pdnplu.com)

**Maximum Number of Solenoids**  
 (Maximum energized simultaneously)

HA & HB	Voltage code	25-pin D-sub					Turck		
			19-pin Brad Harrison	12-Pin M23	19-pin M23	Moduflex	H Series Fieldbus	16 Outputs	32 Outputs
24VDC	G9	24 (24)	16 (16)	8 (8)	16 (16)	16 (16)	32 (32)	16 (16)	32 (32)
120VAC*	23	24 (24)	16 (16)	8 (8)	16 (16)	N/A	N/A	N/A	N/A

H1, H2 & H3	Voltage code	25-pin D-sub					Turck		
			19-pin Brad Harrison	12-Pin M23	19-pin M23	Moduflex	H Series Fieldbus	16 Outputs	32 Outputs
12VDC	45	24 (13)	16 (13)	8 (8)	16 (13)	N/A	N/A	N/A	N/A
24VAC*	42	24 (24)	16 (16)	8 (8)	16 (16)	N/A	N/A	N/A	N/A
24VDC	B9	24 (20)	16 (16)	8 (8)	16 (16)	16 (16)	24 (21)	16 (16)	24 (21)
120VAC*	23	24 (24)	16 (16)	8 (8)	16 (16)	N/A	N/A	N/A	N/A

\* Not CSA certified for 25-pin, D-sub option.

**Female Electrical Connectors (IP65 Rated) 30mm, 3-Pin ISO 4400, (DIN 43650A)**

Description	Connector with 6' (2m) cord	Connector
Unlighted	<b>PS2028JCP</b>	<b>PS2028BP</b>
Light – 6-48V, 50/60Hz; 6-48VDC	<b>PS2032J79CP*</b>	<b>PS203279BP</b>
Light – 120V/60Hz	<b>PS2032J83CP*</b>	<b>PS203283BP</b>
Light – 240V/60Hz	N/A	<b>PS203283BP</b>

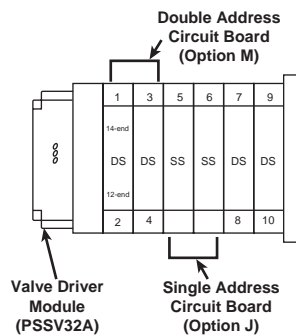
\* With surge suppression.

**Engineering data:**

Conductors: 2 poles plus ground; cable range (connector only): 8 to 10mm (0.31 To 0.39 inch); Contact spacing: 18mm

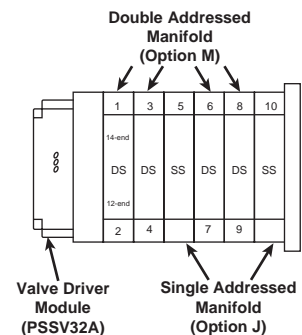
**I/O Addressing Examples**

**HB & HA Example**  
 Two Station Manifold Bases



Notes: SS = Single Solenoid Valve  
 DS = Double Solenoid Valve  
 First output address the #14 end of the valve closest to the valve driver module.

**H1, H2 & H3 Example:**  
 Single Station Manifold Bases



**5599-1 CNOMO Solenoid Kits**

Voltage code	3-pin, 30mm 'L' coil kit	2-pin, M12 Euro '6' coil kit
19	—	<b>PS2828619P</b>
42	<b>P2FCA442</b>	—
45	<b>P2FCA445</b>	—
49	<b>P2FCA449</b>	—
53	<b>P2FCA453</b>	—
57	<b>P2FCA457</b>	—

Quantity 1

**5599-2 & 5599-1 AUTO Solenoid Kits**

Valve size	Voltage code	Coil kit number
	42 (24VAC)	<b>PS404142P</b>
	45 (12VDC)	<b>PS404145P</b>
H1, H2 & H3	B9 (24VDC)	<b>PS4041B9P</b>
	23 (120VAC)	<b>PS404123P</b>
	57 (240VAC)	<b>PS404157P</b>

Quantity 1

**D**

Subbase & Manual Valves

H Series Micro

Moduflex Series

H Series ISO

Fieldbus Systems

DX ISOMAX Series

Valvair II Series



For inventory, lead times, and kit lookup, visit [www.pdnplu.com](http://www.pdnplu.com)

**Pilot Operator - CNOMO**

Valve size		Kit number
H1, H2 & H3	Locking	<b>PS4052CP</b>
	Non-locking	<b>PS4053CP</b>

**Manifold Hardware Kits – PS Series**

Valve size	Kit number
HB	<b>PS5612P</b>
HA	<b>PS5512P</b>
H1	<b>PS4012P</b>
H2	<b>PS4112P</b>
H3	<b>PS4212P</b>

Quantity 12

**Valve Bolt Kits**

Valve size	Kit number
HB	<b>PS5687P</b>
HA	<b>PS5587P</b>
H1	<b>PS4087DP</b>
H2	<b>PS4187DP</b>
H3	<b>PS4287DP</b>

Quantity 12

**Valve to Base Gasket Kits**

Valve size	Standard	Remote pilot	Dual pressure #3	Dual pressure #5
HB	<b>PS5605P*</b>	—	—	—
HA	<b>PS5505P*</b>	—	—	—
H1	<b>PS4005DP</b>	<b>PS4006DP</b>	<b>PS40D3DP</b>	—
H2	<b>PS4105DP</b>	<b>PS4106DP</b>	<b>PS41D3DP</b>	<b>PS41D5DP</b>
H3	<b>PS4205DP</b>	<b>PS4206DP</b>	<b>PS42D3DP</b>	<b>PS42D5DP</b>

Quantity 1

\* Quantity 10

**Body Service Kits**



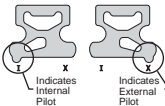
Valve size	2-position	3-position		
		APB	CE	PC
HB	<b>PS5601P</b>	<b>PS5602P</b>	<b>PS5603P</b>	<b>PS5604P</b>
HA	<b>PS5501P</b>	<b>PS5502P</b>	<b>PS5503P</b>	<b>PS5504P</b>
H1	<b>PS4001CP</b>	<b>PS4002CP</b>	<b>PS4003CP</b>	<b>PS4004CP</b>
H2	<b>PS4101CP</b>	<b>PS4102CP</b>	<b>PS4103CP</b>	<b>PS4104CP</b>
H3	<b>PS4201CP</b>	<b>PS4202CP</b>	<b>PS4203CP</b>	<b>PS4204CP</b>

HB / HA Kit Includes: Spool assembly with seals.

H1, H2, H3 Kit Includes: Spool assembly with seals, all piston seals, return spring, pilot selector gasket, coil to end cap gasket.

Quantity 1

**Pilot Select Gasket Kits**

	Valve size	Part number
	HB	<b>PS5605P</b>
	HA	<b>PS5505P</b>
	H1, H2 & H3	<b>PS4007P</b>

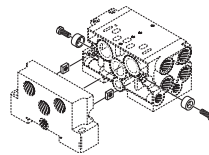
Quantity 10

**Regulator Kits**

Valve size	Part number
H1	<b>PS4039P</b>
H2, H3	<b>PS4139P</b>

**Manifold Hardware Kit – PJJ Series**

Description	Part number
Bolt, Washer & Nut	<b>DX02M2MB*</b>



\* Includes 10 Bolts, 10 Washers, 10 Nuts



For inventory, lead time, and kit lookup, visit [www.pdnplu.com](http://www.pdnplu.com)

**Regulator & Flow Control Mounting Studs**

Valve type	Type	Part number
HB	Flow Control & Regulator	<b>PS5636P</b>
HA	Flow Control & Regulator	<b>PS5536P</b>
H1	Flow Control	<b>PS4036P</b>
	Regulator	<b>PS4040P</b>
H2	Flow Control	<b>PS4136P</b>
	Regulator	<b>PS4140P</b>
H3	Flow Control	<b>PS4236P</b>
	Regulator	<b>PS4240P</b>

Quantity 12

**Regulator Gauge Kits – Size H1, H2 & H3**

Gauge type	Part number
<b>1" Face Air - Standard</b>	
0 to 60 PSIG	<b>PS4051060BP</b>
0 to 160 PSIG	<b>PS4051160BP</b>
<b>1-1/2" Face Air - Large*</b>	
0 to 60 PSIG	<b>PS4053060BP</b>
0 to 160 PSIG	<b>PS4053160BP</b>
<b>1-1/2" Face Liquid*</b>	
0 to 160 PSIG	<b>PS4052160BP</b>

\* Includes brass pipe fitting extensions  
Quantity 1

**Regulator Spring Range Kits – Size H1, H2 & H3**

Spring range	Valve size	Part number
0 to 30 PSIG	H1	<b>PS4050030P</b>
	H2, H3	<b>PS4150030BP</b>
2 to 60 PSIG	H1	<b>PS4050060P</b>
	H2, H3	<b>PS4150060BP</b>
5 to 125 PSIG	H1	<b>PS4050125P</b>
	H2, H3	<b>PS4150125BP</b>

Quantity 1

**Regulator Conversion Kits – Size H1, H2 & H3**

Valve size	Description	Part number
H1	Manual Bonnet Assembly (w/o Spring)	<b>PS4045BP</b>
	Air Pilot Bonnet Assembly	<b>PS4047BP</b>
	Independent By-Pass Plate	<b>PS4048BP</b>
H2, H3	Manual Bonnet Assembly (w/o Spring)	<b>PS4145BP</b>
	Air Pilot Bonnet Assembly	<b>PS4147BP</b>
	Independent By-Pass Plate	<b>PS4148BP</b>

Quantity 1

**Pilot By-Pass Plate**

Valve size	Part number
H1, H2, H3	<b>PS4051P</b>

Quantity 10

**Valve Driver Module**

Driver Module	Part number
32 Point Module – HB, HA, H1, H2, H3	<b>PSSV32A*†</b>
24 Output Cable – HB, HA	<b>PS5624P †</b>
25 - 32 Output Cable – HB, HA	<b>PS5632P †</b>
24 Output Cable – H1, H2, H3	<b>PS4024P †</b>



**PSSV32A**

\* Reference Document E100P for Installation Instructions. See [www.pdnplu.com](http://www.pdnplu.com)

† H Series Fieldbus Add-A-Fold assemblies and end plate kits include a valve driver module (PSSV32A) and cable.

HB / HA 24 output manifolds require a PS5624P.

HB / HA 32 output manifolds require a PS5624P + PS5632P.

H1, H2, H3 manifolds require a PS4024P, allowing 21 outputs.

**D**

Subbase & Manual Valves

H Series Micro

Modulflex Series

H Series ISO

Fieldbus Systems

DX ISOMAX Series

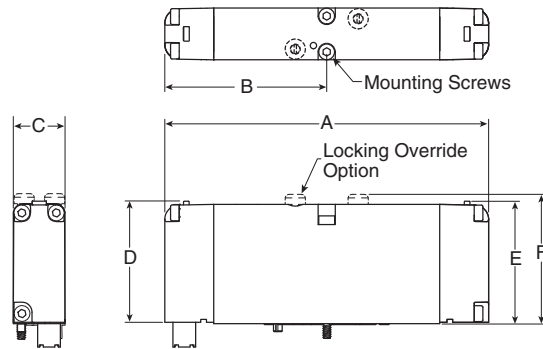
Valvair II Series



For inventory, lead times, and kit lookup, visit [www.pdnplu.com](http://www.pdnplu.com)



**H Series ISO 15407-2, Plug-in, Size 18mm (HB)**



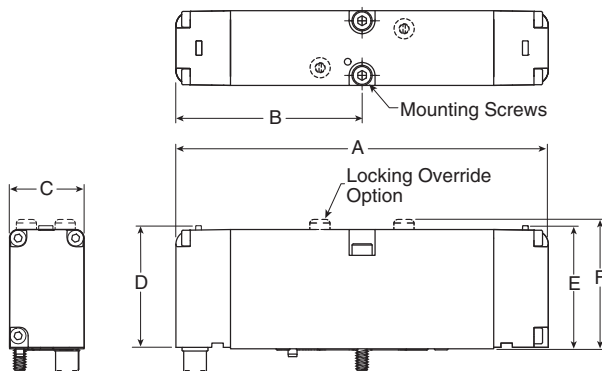
**18mm Dimensions**

A	B	C	D
4.43	2.22	.72	1.98
(113)	(56)	(18)	(50)

E	F
1.68	1.77
(43)	(45)

Inches (mm)

**H Series ISO 15407-2, Plug-in, Size 26mm (HA)**



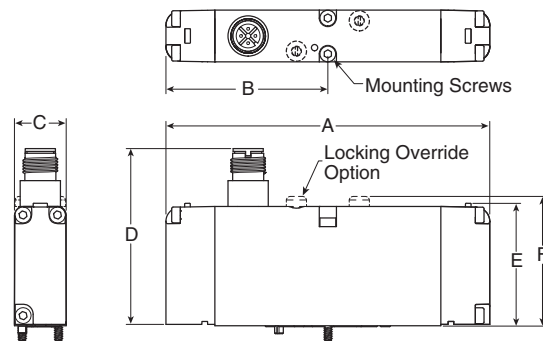
**26mm Dimensions**

A	B	C	D
5.10	2.55	1.02	1.98
(130)	(65)	(26)	(50)

E	F
1.68	1.77
(43)	(45)

Inches (mm)

**H Series ISO 15407-1, Non Plug-in, Size 18mm (HB)**



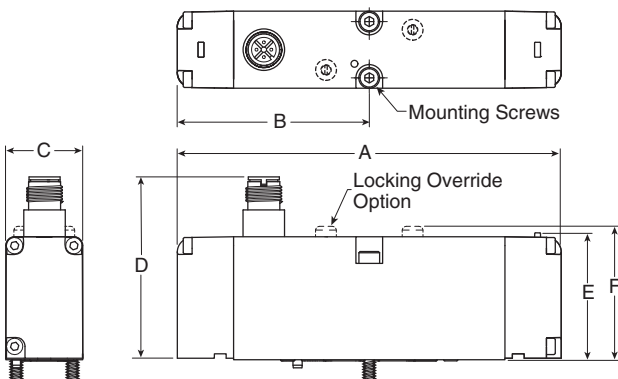
**18mm Dimensions**

A	B	C	D
4.43	2.22	.72	2.40
(113)	(56)	(18)	(61)

E	F
1.68	1.77
(43)	(45)

Inches (mm)

**H Series ISO 15407-1, Non Plug-in, Size 26mm (HA)**



**26mm Dimensions**

A	B	C	D
5.10	2.55	1.02	2.40
(130)	(65)	(26)	(61)

E	F
1.68	1.77
(43)	(45)

Inches (mm)



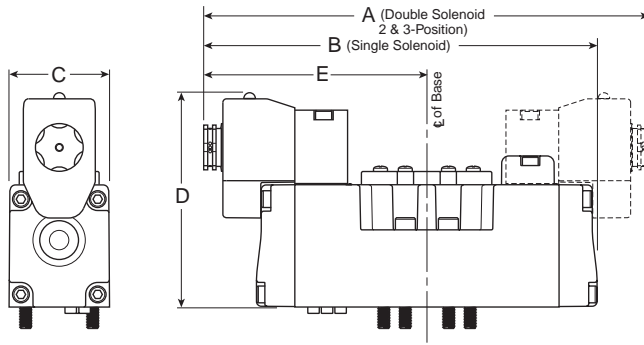
For inventory, lead time, and kit lookup, visit [www.pdnplu.com](http://www.pdnplu.com)

D131

**Parker Hannifin Corporation**  
 Pneumatic Division  
 Richland, Michigan  
[www.parker.com/pneumatics](http://www.parker.com/pneumatics)

<b>D</b>	Subbase & Manual Valves
	H Series Micro
Moduflex Series	
H Series ISO	
Fieldbus Systems	
DX ISOMAX Series	
Valvair II Series	

**H Series ISO 5599-2**



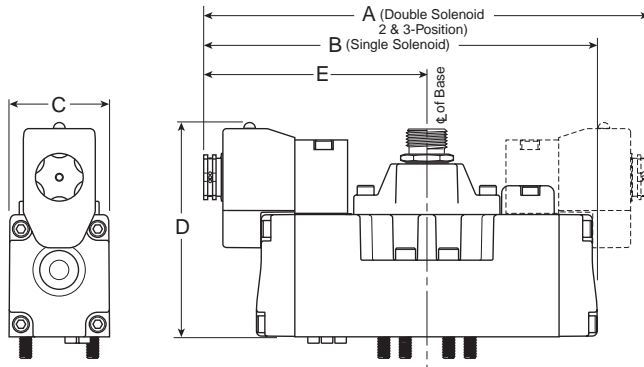
**H1 Valves Shown**

**H1 Dimensions**

A	A <sub>1</sub>	B	C
7.32 (186)	5.59 (142)	6.46 (164)	1.65 (42)
D	D <sub>1</sub>	D <sub>2</sub>	D <sub>3</sub>
3.54 (90)	4.29 (109)	4.29 (109)	2.50 (63.5)
D <sub>4</sub>	E	E <sub>1</sub>	
2.48 (63)	3.66 (93)	2.80 (71)	

Inches (mm)

**H Series ISO 5599-1 Auto**

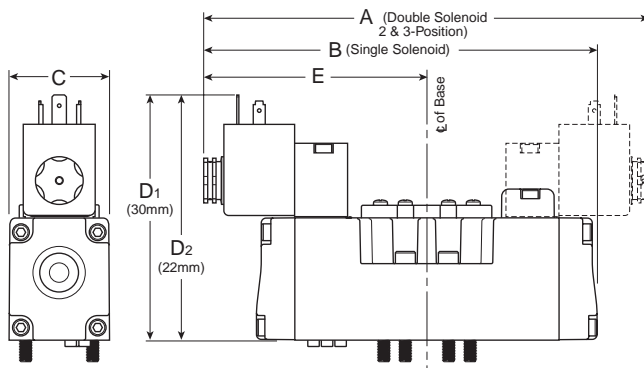


**H2 Dimensions**

A	A <sub>1</sub>	B	C
8.35 (212)	6.62 (168)	7.48 (190)	2.17 (55)
D	D <sub>1</sub>	D <sub>2</sub>	D <sub>3</sub>
4.05 (103)	4.80 (122)	4.57 (116)	2.99 (76)
E	E <sub>1</sub>		
4.17 (106)	3.31 (84)		

Inches (mm)

**H Series ISO 5599-1 CNOMO**

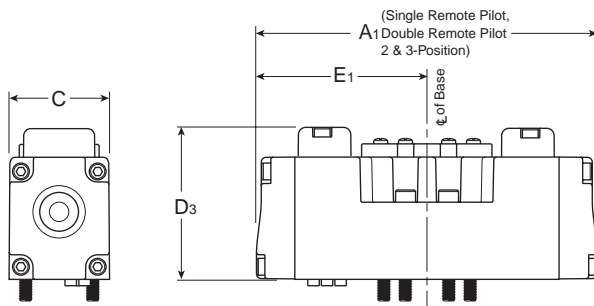


**H3 Dimensions**

A	A <sub>1</sub>	B	C
9.68 (246)	6.98 (177)	8.68 (220)	2.17 (55)
D	D <sub>1</sub>	D <sub>2</sub>	D <sub>3</sub>
4.05 (103)	4.80 (122)	4.57 (116)	2.99 (76)
E	E <sub>1</sub>		
4.74 (121)	3.49 (89)		

Inches (mm)

**H Series ISO 5599-2 / 5599-1 Remote Pilot**



**D**

Subbase & Manual  
Valves

H Series  
Micro

Modutefx  
Series

H Series  
ISO

Fieldbus  
Systems

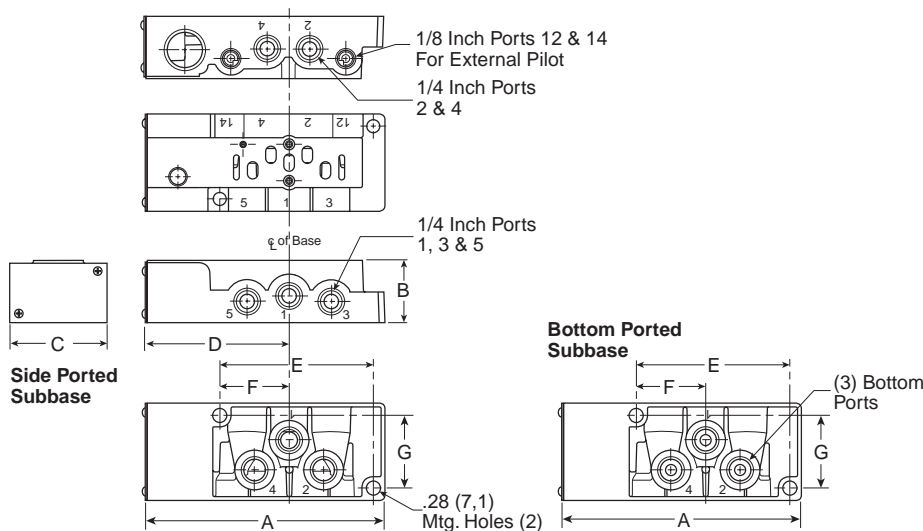
DX ISOMAX  
Series

Valvair II  
Series



For inventory, lead times, and kit lookup, visit [www.pdnplu.com](http://www.pdnplu.com)

**H Series ISO 15407-2 & 15407-1 Size 26mm (HA), Plug-in Subbases**

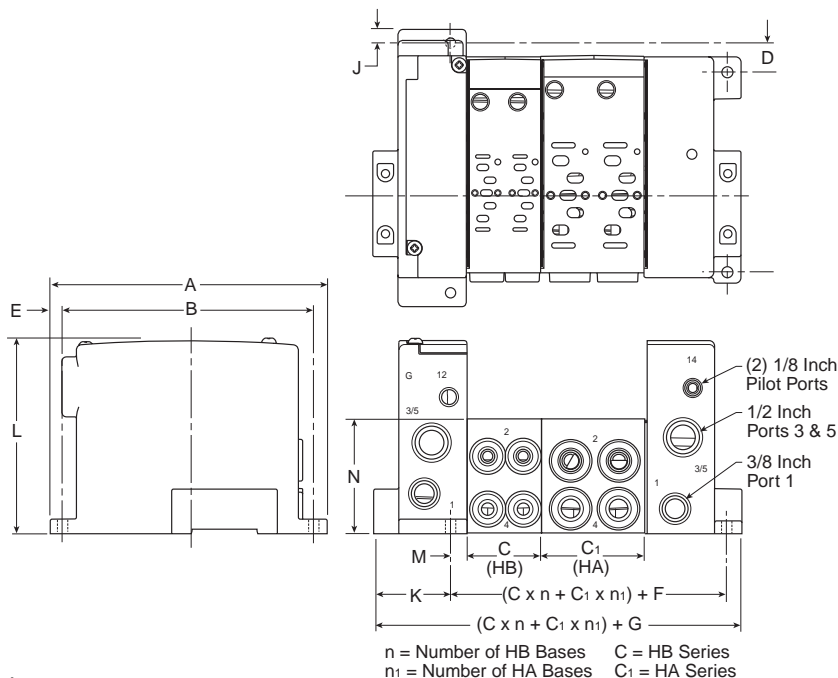


**HA Dimensions**

A	B	C	D
4.88 (124)	1.28 (32.5)	2.00 (50.8)	2.91 (74)
E	F	G	
1.43 (36.2)	3.16 (80.2)	1.49 (37.9)	

Inches (mm)

**H Series ISO 15407-2 & 15407-1 Size 18mm (HB) & 26mm (HA), PS5611 & PS5511 Manifolds**



**HB & HA Dimensions**

A	B	C	C <sub>1</sub>	D	E
5.98 (152)	5.39 (137)	1.61 (40.8)	2.24 (56.8)	.63 (16)	.30 (7.5)
F	G	H	J	K	L
2.14 (54.4)	4.12 (104.6)	4.32 (109.8)	.15 (4)	1.68 (42.7)	4.17 (106)
M	N				
.33 (8.4)	2.48 (63)				

Inches (mm)

**Note:**  
 See Fieldbus Section for the dimensions of manifolds utilizing the H Series Fieldbus, Turck, or Moduflex end plate type.

n = Number of HB Bases    C = HB Series  
 n<sub>1</sub> = Number of HA Bases    C<sub>1</sub> = HA Series



For inventory, lead time, and kit lookup, visit [www.pdnplu.com](http://www.pdnplu.com)

**D**

Subbase & Manual Valves

H Series Micro

Moduflex Series

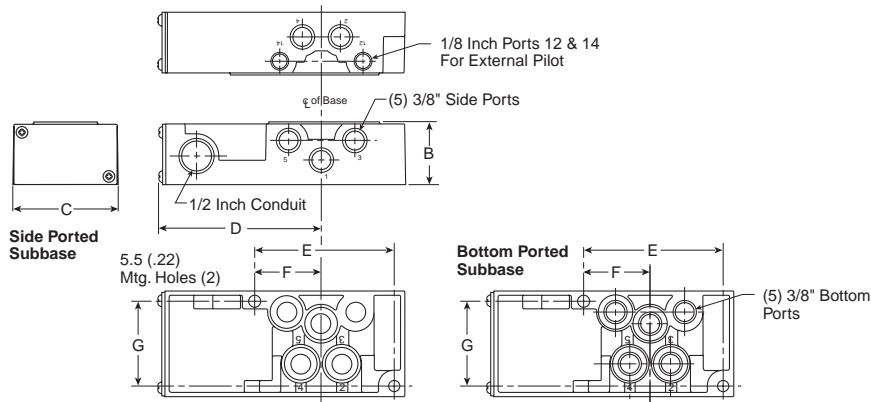
H Series ISO

Fieldbus Systems

DX ISOMAX Series

Valvair II Series

**H Series ISO 5599-1 Size H1, PS4011 Subbase**



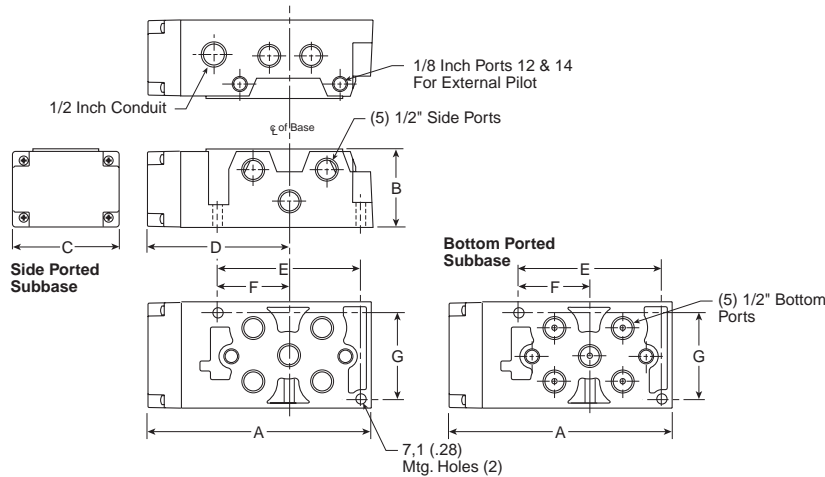
**PS4011 Subbase Dimensions**

A	B	C	D
5.83	1.48	2.50	3.86
(148)	(38)	(64)	(98)

E	F	G
3.29	1.57	2.00
(84)	(40)	(51)

Inches (mm)

**H Series ISO 5599-1 Size H2, PS4111 Subbase**



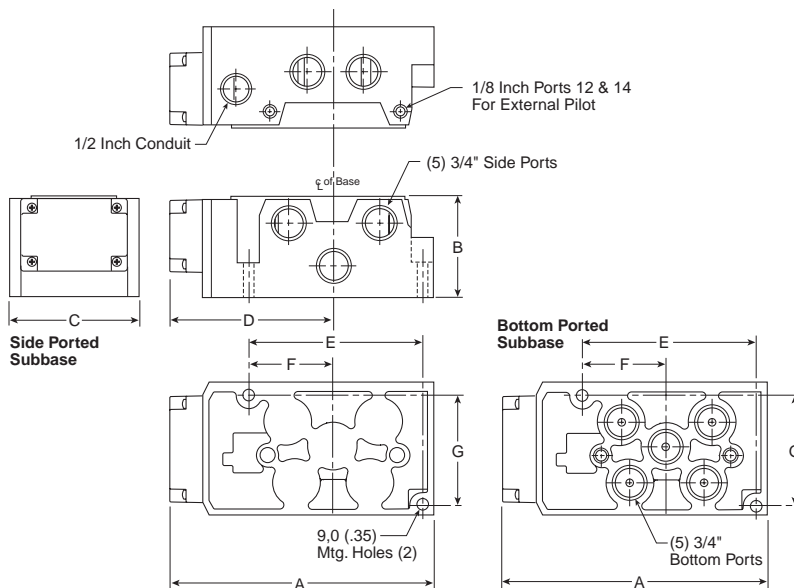
**PS4111 Subbase Dimensions**

A	B	C	D
6.69	2.33	3.15	4.25
(170)	(59)	(80)	(108)

E	F	G
4.21	2.07	2.56
(107)	(52)	(65)

Inches (mm)

**H Series ISO 5599-1 Size H3, PS4211 Subbase**



**PS4211 Subbase Dimensions**

A	B	C	D
7.90	2.96	3.90	4.92
(201)	(75)	(99)	(125)

E	F	G
5.14	2.50	3.24
(131)	(64)	(82)

Inches (mm)

**D**  
**Subbase & Manual Valves**  
 H Series Micro  
 Moduteflex Series  
 H Series ISO  
 Fieldbus Systems  
 DX ISOMAX Series  
 Valvair II Series

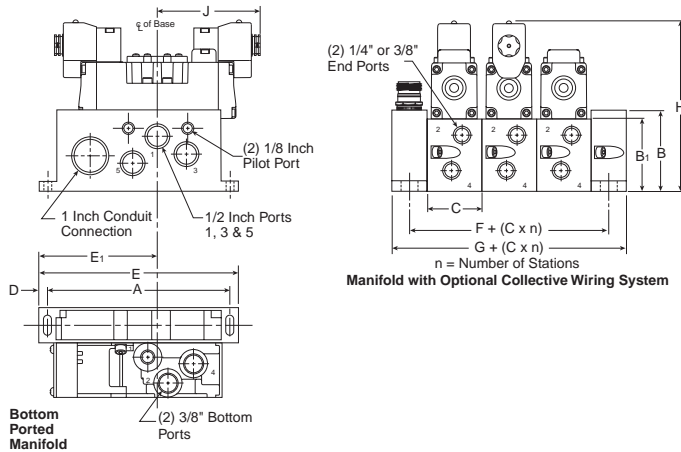


For inventory, lead times, and kit lookup, visit [www.pdnplu.com](http://www.pdnplu.com)

D134

**Parker Hannifin Corporation**  
 Pneumatic Division  
 Richland, Michigan  
[www.parker.com/pneumatics](http://www.parker.com/pneumatics)

**H Series ISO 5599 Size H1, PS4011 Manifold**

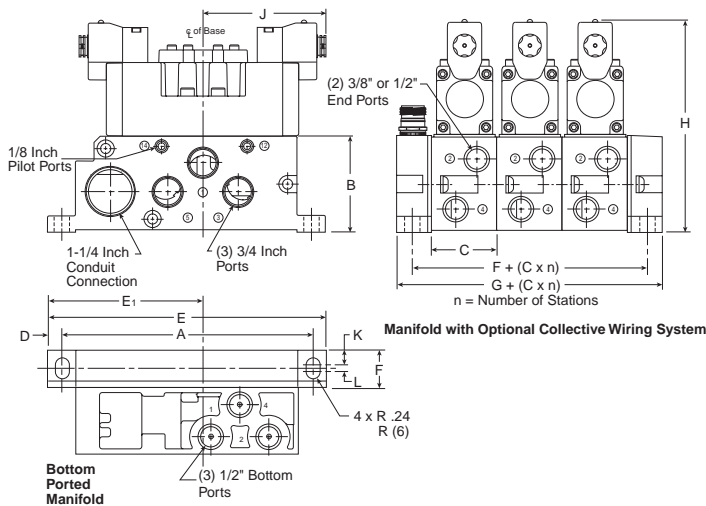


**PS4011 Manifold Dimensions**

A	B	B <sub>1</sub>	C	D
6.50 (165)	2.87 (73)	2.64 (67)	1.96 (50)	.33 (8)
E	E <sub>1</sub>	F	G	H
7.15 (182)	4.25 (108)	1.25 (32)	2.50 (63.5)	6.18 (157)
J	3.66 (93)			

Inches (mm)

**H Series SO 5599 Size H2, PS4111 Manifold**

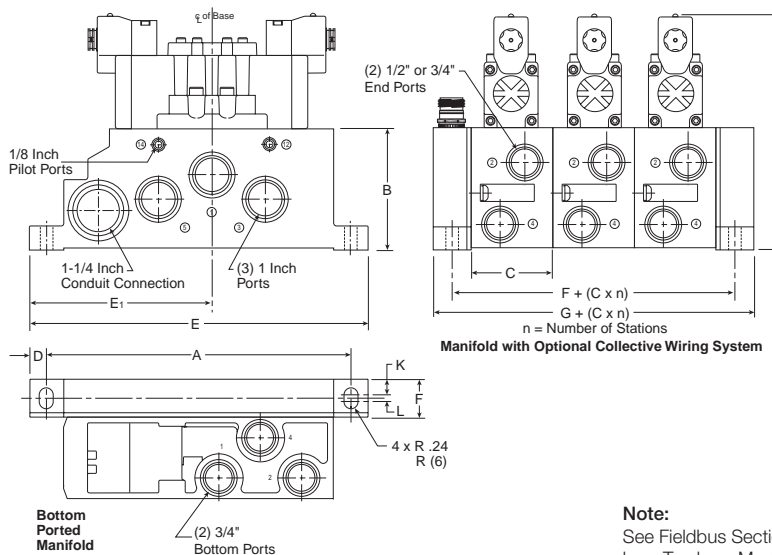


**PS4111 Manifold Dimensions**

A	B	C	D	E
8.46 (215)	3.35 (85)	2.20 (56)	.47 (12)	9.41 (239)
E <sub>1</sub>	F	G	H	J
5.28 (134)	1.26 (32)	2.60 (63)	7.40 (188)	4.17 (106)
K	L			
.65 (16.5)	.24 (6)			

Inches (mm)

**H Series ISO 5599 Size H3, PS4211 Manifold**



**PS4211 Manifold Dimensions**

A	B	C	D	E
10.41 (265)	4.13 (105)	2.80 (71)	.59 (15)	11.61 (295)
E <sub>1</sub>	F	G	H	
6.26 (159)	1.30 (33)	2.60 (63)	8.19 (208)	
K	L			
.53 (13.5)	.24 (6)			

Inches (mm)

**Note:**

See Fieldbus Section for the dimensions of manifolds utilizing the H Series Fieldbus, Turck, or Modflex end plate type.



For inventory, lead time, and kit lookup, visit [www.pdnplu.com](http://www.pdnplu.com)

D135

**Parker Hannifin Corporation**  
 Pneumatic Division  
 Richland, Michigan  
[www.parker.com/pneumatics](http://www.parker.com/pneumatics)

**D**

Subbase & Manual Valves

H Series Micro

Modflex Series

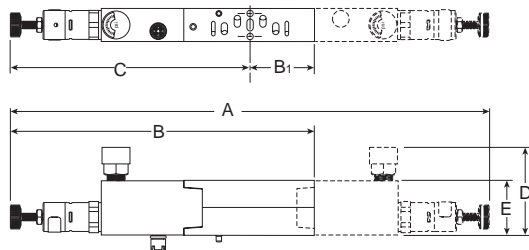
H Series ISO

Fieldbus Systems

DX ISOMAX Series

Valvair II Series

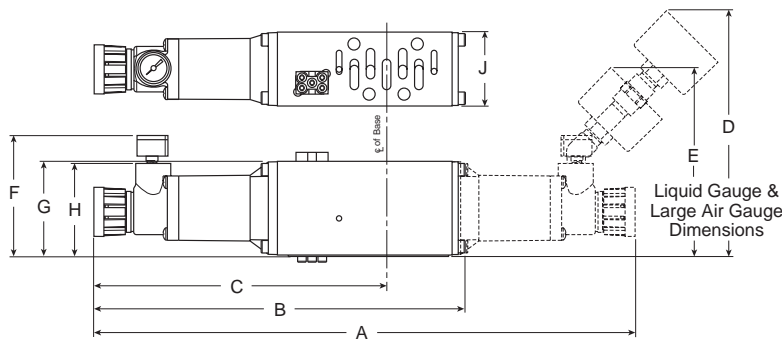
**H Series ISO 15407 Sandwich Regulator**



Series	Part number	A	B	B <sub>1</sub>	C	D	E
HB	PS5637	10.28 (261)	6.14 (156)	1.02 (26)	5.13 (130)	2.60 (66)	1.18 (30)
HA	PS5537	10.00 (254)	6.42 (163)	1.42 (36)	5.00 (127)	2.72 (69)	1.18 (30)

Inches (mm)

**H Series ISO 5599, Size H1 Sandwich Regulator**

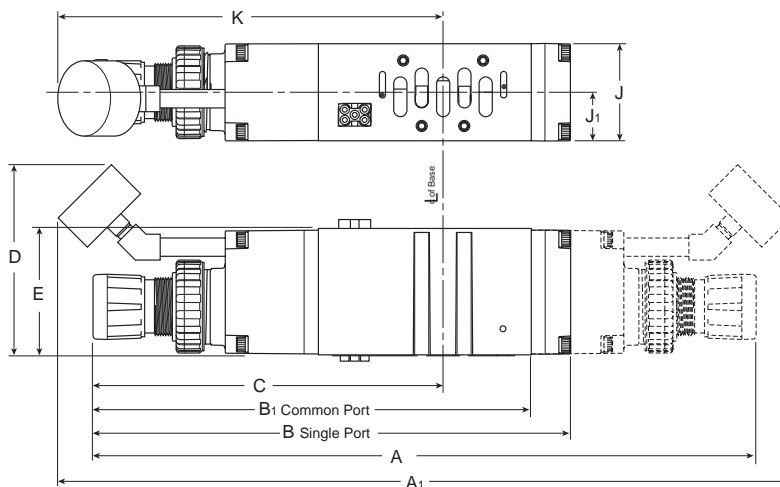


Series	Part number	A	B	C	D	E	F	G	H	J
H1	PS4037	11.84	8.13	6.40	5.45	4.25	2.85	2.09	2.05	1.63
	PS4038	(301)	(207)	(163)	(138)	(108)	(72)	(53)	(52)	(41)

Inches (mm)

**H Series ISO 5599, Size H2 & H3 Sandwich Regulator**

**H2 Sandwich Regulator Shown**



Series	Part number	A	A <sub>1</sub>	B	B <sub>1</sub>	C	D	E	J	J <sub>1</sub>	K
H2	PS4137	14.65	16.18	10.56	9.84	7.71	4.20	2.80	2.15	1.07	8.50
	PS4138	(372)	(411)	(268)	(250)	(196)	(107)	(71)	(55)	(27)	(216)
H3	PS4237	15.67	17.15	11.53	10.67	8.37	4.20	2.93	2.50	1.25	9.10
	PS4238	(398)	(436)	(293)	(271)	(213)	(107)	(75)	(64)	(32)	(231)

Inches (mm)

**D**  
 Subbase & Manual Valves  
 H Series Micro  
 Moduteflex Series  
 H Series ISO  
 Fieldbus Systems  
 DX ISOMAX Series  
 Valvair II Series



For inventory, lead times, and kit lookup, visit [www.pdnplu.com](http://www.pdnplu.com)

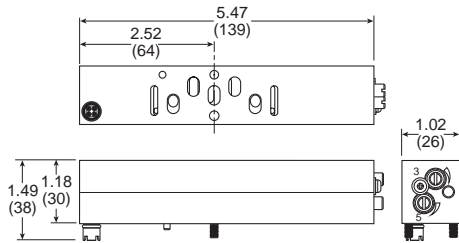
D136

**Parker Hannifin Corporation**  
 Pneumatic Division  
 Richland, Michigan  
[www.parker.com/pneumatics](http://www.parker.com/pneumatics)

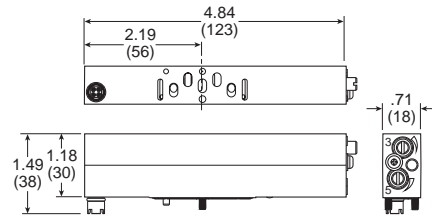


**H Series ISO 15407, Size 18mm (HB) & 26mm (HA), Flow Control**

**HA Flow Control**

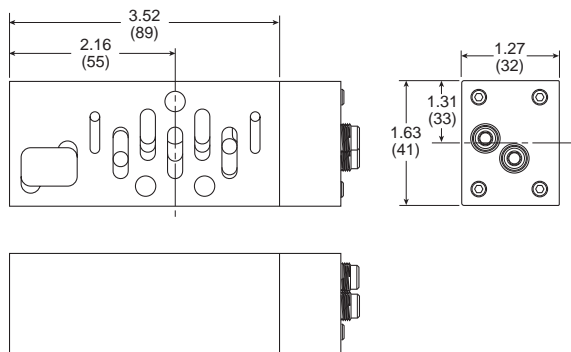


**HB Flow Control**

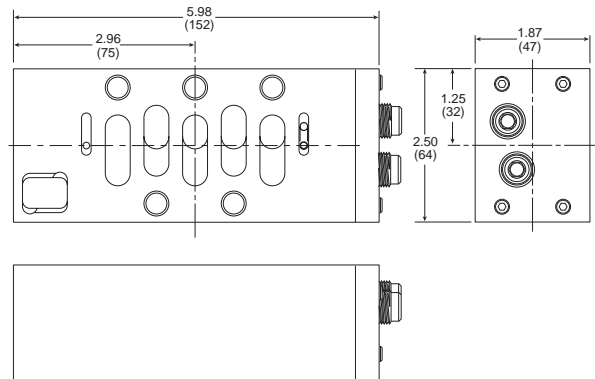


**H Series ISO 5599, Size H1, H2 & H3, Flow Control**

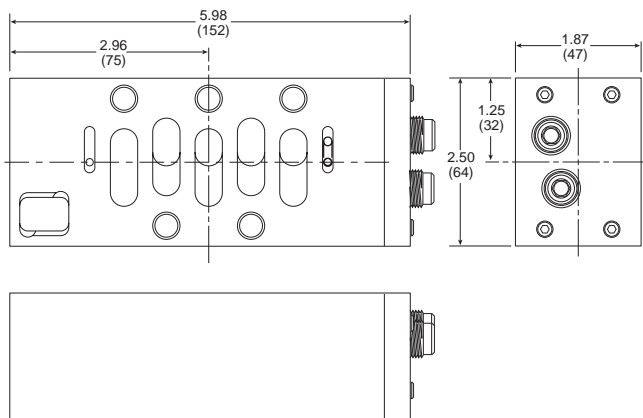
**H1 Flow Control**



**H2 Flow Control**



**H3 Flow Control**



**D**

Subbase & Manual Valves

H Series Micro

Moduflex Series

H Series ISO

Fieldbus Systems

DX ISOMAX Series

Valvair II Series



For inventory, lead time, and kit lookup, visit [www.pdnplu.com](http://www.pdnplu.com)

Features

Fieldbus Systems

Fieldbus Offering

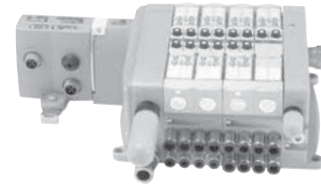
Valve series	Moduflex	H Series	Turck
Moduflex	X		
H Series Micro	X	X	X
H Series ISO	X	X	X

Protocol	Moduflex	H Series	Turck
IO-Link	X		
DeviceNet	X	X	X
Ethernet/IP		X	X
Profibus-DP	X	X	X
Profinet			X
Modbus/TCP			X
AS-i	X		
CANopen	X		X
Interbus-S	X		
ControlNet		X	

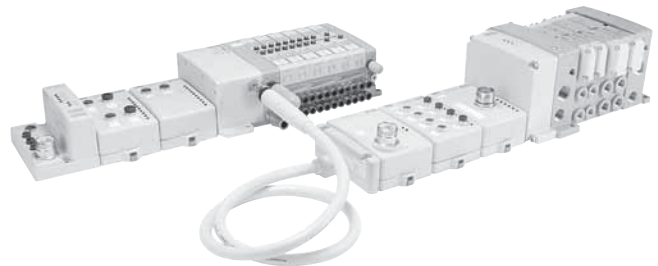
Options	Moduflex	H Series	Turck
Digital inputs / outputs*		X	X
Analog inputs / outputs		X	X
16 Solenoid control*	X		X
32 Solenoid control		X	X
Short circuit protection on inputs			X
Current sensing outputs			X
Bus expansion		X	
DeviceNet subnet			X
Programmable comm modules			X
Power over DeviceNet / CANopen			X
Preferred connectivity		X	
CANopen expansion			X

\* Moduflex AS-i modules are available with 6 or 8 inputs and 6 or 8 solenoid outputs

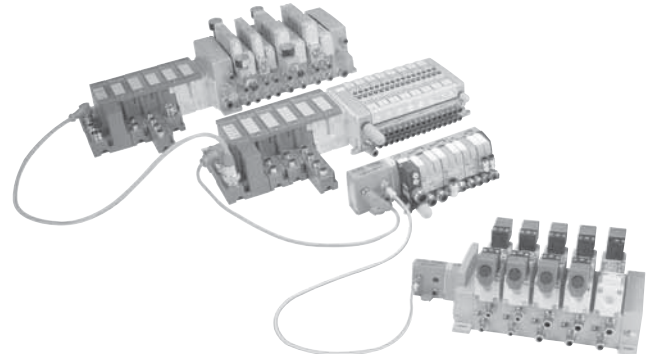
The Moduflex Fieldbus System



The H Series Fieldbus System



The Turck Fieldbus System



	Turck fieldbus	H Series Fieldbus	Moduflex
<b>Solenoid control</b>	Up to 32 solenoids on main valve manifold. DeviceNet Subnet Allows an additional 32 solenoids per node 63 nodes maximum. CANopen expansion Allows an additional 64 solenoids per expansion 5 expansions maximum.	Up to 32 solenoids on main valve manifold H Series Micro Bus Expansion Allows an additional 32 solenoids per expansion 3 expansions maximum 1 meter fixed cable length per expansion	Up to 24 solenoids on main valve manifold 19 Moduflex 24 H Micro 24 H Series ISO
<b>I/O capabilities</b>	256 maximum inputs and outputs directly connected to communication module. DeviceNet Subnet Allows an additional 256 I/O per node 63 nodes maximum Third party DeviceNet modules can be used CANopen expansion Allows an additional 64 I/O per expansion 5 expansions maximum Third party CANopen modules can be used	Maximum of 256 inputs and 256 outputs directly connected to the communication module, including H Series Micro Bus Expansion.	8 Inputs available on AS-i communication only.
<b>Short circuit protection</b>	SXG and diagnostic electronic modules have each point isolated. All other electronic modules are isolated from the backplane.	Devices must be fused between input / output and electronic module.	

Most popular.

D Subbase & Manual Valves H Series Micro Moduflex Series H Series ISO Fieldbus Systems DX ISOMAX Series Valvair II Series

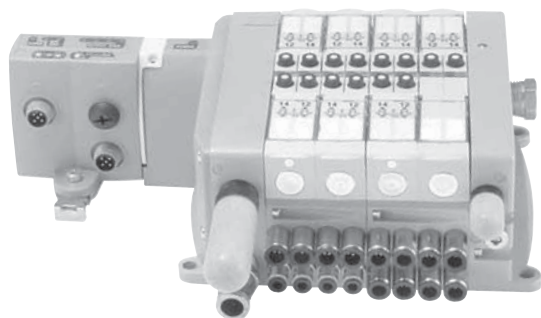


For inventory, lead times, and kit lookup, visit [www.pdnplu.com](http://www.pdnplu.com)

**Features**

**The Moduflex Fieldbus System**

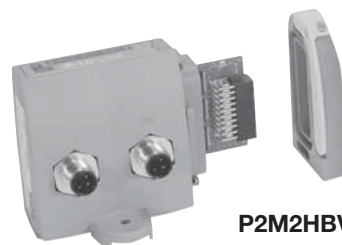
Moduflex communication modules directly attach to the end plate. It offers a compact and low cost fieldbus solution.



**Moduflex Features**

- Small, compact product design
- IO-Link Class A & B modules
- Broad protocol offering, including DeviceNet, Profibus, AS-i, CANopen, and InterBus
- Channel-level diagnostics (LED and Electronic)
- Inputs available with AS-i modules
- Horizontal and vertical mounting without derating
- 5g vibration
- Quick-disconnects for I/O and network connectivity
- Built-in panel grounding
- CE certification

**Control for up to 24 solenoids**



**P2M2HBVL1240013**  
(Type A shown)

**Control for up to 16 solenoids**



**P2M2HBVP11600**  
(Profibus shown)

**Moduflex Communication Modules**

IO-Link		Part number
Class A	3-Pin, Aux power 1 & 3	<b>P2M2HBVL12400A13</b>
	3-Pin, Aux power 4 & 3	<b>P2M2HBVL12400A43</b>
	3-Pin, Aux power 4 & 2	<b>P2M2HBVL12400A42</b>
Class B	5-Pin, Aux power 2 & 5	<b>P2M2HBVL12400B25</b>

Bus protocol	Part number
Profibus DP	<b>P2M2HBVP21600</b>
DeviceNet	<b>P2M2HBVD21600</b>
CANopen	<b>P2M2HBVC21600</b>
InterBus-S	<b>P2M2HBVS11600</b>

Most popular.

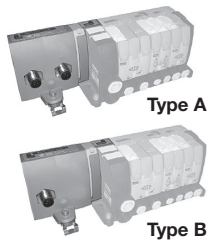


For inventory, lead time, and kit lookup, visit [www.pdnplu.com](http://www.pdnplu.com)

D	Subbase & Manual Valves
H Series Micro	Moduflex Series
H Series ISO	Fieldbus Systems
DX ISOMAX Series	Valvair II Series

**“V” Series Valve Island**  
**Electrical fieldbus head module for IO-Link**

Electrical Module for 19 outputs (Moduflex Pilot Valves)  
 (The last 5 outputs of this 24 DO module can't be used with Moduflex Valve)

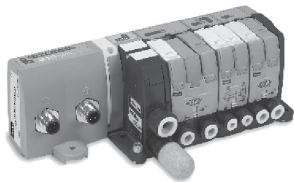


M12 A coded Connector connection						
Description	IO-Link Class	IO-Link	Aux. Power	Aux. Power Pinout	Weight (g)	Part number
Moduflex IO-Link Communication Module	Class A	3 Pin's	3 Pin's	1 & 3	160	<b>P2M2HBVL12400A13</b>
		3 Pin's	3 Pin's	4 & 3	160	<b>P2M2HBVL12400A43</b>
		3 Pin's	5 Pin's	4 & 2	160	<b>P2M2HBVL12400A42</b>
Power & Communication Cable		Class B	5 Pin's	2 & 5	140	<b>P2M2HBVL12400B25</b>
						<b>RKC 4.5T*-RSC 4.5T/S1587</b>

IODD file can be downloaded from IODD Finder or the Moduflex web site:  
<https://ioddfinder.io-link.com> or [www.parker.com/pdn/io-link](http://www.parker.com/pdn/io-link)

Where \* = 1, 2, 3, 4, 5, 10, 20 meter standard lengths

**Moduflex Class A module with independent Auxiliary Power Supply**



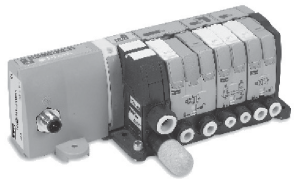
The Moduflex **IO-Link** Class A module can handle a Moduflex Valve bank having up to 19 pilot solenoid valves.

Thanks to its 2 x M12 A coded male connectors, it can be connected to any IO-Link Class A master and separately receive its auxiliary power supply for valves from an independent source.

The Moduflex **IO-Link** Class A module exists in 3 versions with the Auxiliary Power M12 connector pin out adapted to any sourcing through a standard M12 cable:

- P2M2HBVL12400A13 version: 24VDC / 0VDC on pins 1 & 3 – Standard version
- P2M2HBVL12400A43 version: 24VDC / 0VDC on pins 4 & 3 – Compatible with Siemens wiring
- P2M2HBVL12400A42 version: 24VDC / 0VDC on pins 4 & 2 – Compatible with Rockwell wiring and Turck

**Moduflex Class B module**



The Moduflex **IO-Link** Class B module can handle a Moduflex Valve bank having up to 19 pilot solenoid valves.

Thanks to its single M12 A coded male connectors, it can be connected to any IO-Link Class B master receiving its auxiliary power supply for valves on pins 2 & 5 from the only cable simplifying the connection.

- P2M2HBVL12400B25 version: 24VDC / 0VDC on pins 2 & 5

**Diagnostic**



The Moduflex **IO-Link** module offers a local diagnostic through 4 LED's located on the visible top side, showing:

- IO-Link com status
- Module error
- Output error
- Auxiliary power

Additional useful diagnostic information can be read by the PLC through the network simplifying diagnostic and allowing predictive maintenance (all details in the user manual).

Most popular.

**Auxiliary power for safe supply**

The Moduflex **IO-Link** module is compatible with SAFE power source for valve control.

For more details, refer to next page.

**D**  
 Subbase & Manual Valves  
 H Series Micro  
 Moduflex Series  
 H Series ISO  
 Fieldbus Systems  
 DX ISOMAX Series  
 Valvair II Series



For inventory, lead times, and kit lookup, visit [www.pdnplu.com](http://www.pdnplu.com)

D139a

**Parker Hannifin Corporation**  
 Pneumatic Division  
 Richland, Michigan  
[www.parker.com/pneumatics](http://www.parker.com/pneumatics)

**IO-Link module connection and diagnostic functions**



**IO-Link module connection**

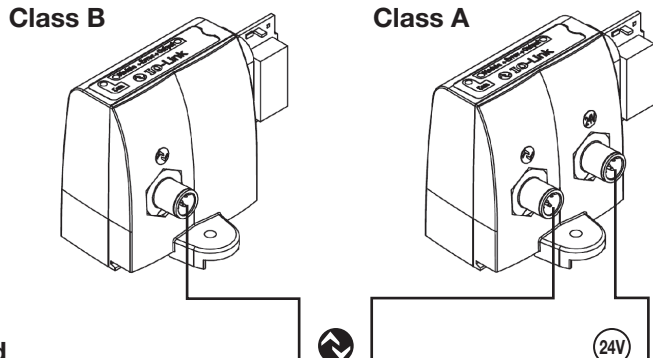
Standard male M12 – type A

Usage of standard manufactured cables available from your usual electrical supplier is recommended.

Note: Auxiliary power for solenoids can be wired allowing the user to turn outputs off while the communications remains on.

**Configuration**

IODD file can be downloaded from IODD Finder or the Moduflex web site:  
<https://ioddfinder.io-link.com>  
[www.parker.com/pdn/io-link](http://www.parker.com/pdn/io-link)



**Legend**

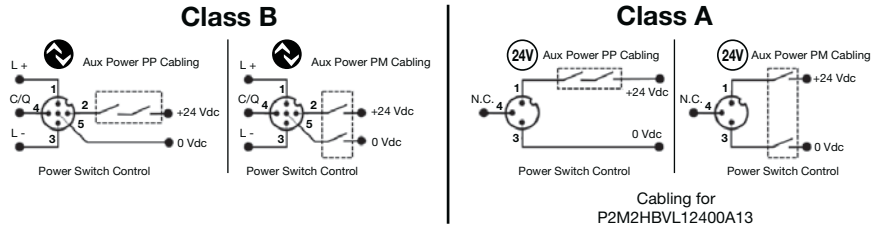
Symbol	Description
L+	IO-Link Power Supply "+"
L-	IO-Link Power Supply "-"
C/Q	IO-Link communication
Aux +	Auxiliary Power Supply 24 VDC
Aux -	Auxiliary Power Supply 0 VDC

M12 Pin's	Class A		
	3 Pin's	5 Pin's	
	P2M...A13	P2M...A43	P2M...A42
1	Aux +	Not used	Not used
2	-	-	Aux -
3	Aux -	Aux -	Not used
4	n.c.	Aux +	Aux +
5	-	-	Not used

**Auxiliary Power Supply Compatibility**

The Moduflex IO-Link Module can be powered from a 24VDC auxiliary source in PP or PM mode as grounds are isolated.

For compatibility with a safe output pulsed module, please refer to user manual document available on [www.parker.com/pdn/io-link](http://www.parker.com/pdn/io-link)



**IO-Link module diagnostic functions**

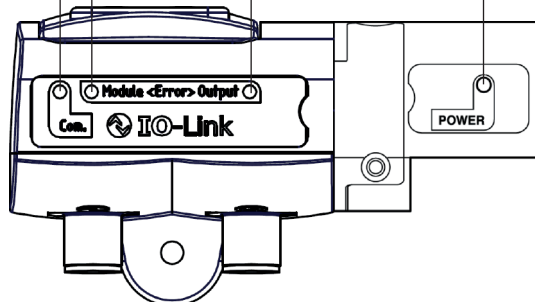
The Moduflex IO-Link module offers additional useful module status information:

- Solenoid overload or short circuit
- Auxiliary Voltage out of tolerance
- Cycle counter for each solenoid
- Module temperature

For more information on product technical information and module diagnostic functionalities, please refer to the User Manual available from the product web page:

[www.parker.com/pdn/io-link](http://www.parker.com/pdn/io-link)

Green LED			Module – Error Red LED			Error – Output Red LED			Green LED		
LED Status	Description	Solving	LED Status	Description	Solving	LED Status	Description	Solving	LED Status	Description	Solving
OFF	IO-Link L+ / L- not powered	Check connection	OFF	Standard mode	NA	OFF	Standard mode	NA	OFF	AUX power failure	Check Auxiliary Power Supply
ON	IOL L+ / L- powered IO mode	Set IO-Link mode in IO-Link master	ON	24 VDC AUX power missing or any active malfunction	Check power supply or change module	ON	Any driver error (overload, over temperature, etc.)	Fix solenoid issue then acknowledge error	ON	Standard	NA
Blinking	IO-Link communication active	NA							Blinking	Aux Power is out of range, alarm level	Check Auxiliary Power Supply



For inventory, lead time, and kit lookup, visit [www.pdnplu.com](http://www.pdnplu.com)

D139b

**Parker Hannifin Corporation**  
 Pneumatic Division  
 Richland, Michigan  
[www.parker.com/pneumatics](http://www.parker.com/pneumatics)

**D**

**Subbase & Manual Valves**

**H Series Micro**

**Moduflex Series**

**H Series ISO**

**Fieldbus Systems**

**DX ISOMAX Series**

**Valvair II Series**

**Input Data**

One byte of diagnostic input data is transferred from Moduflex to the IO-Link Master.

**Process Input Data**

7	6	5	4	3	2	1	0
Output Driver SPI Error	Output Driver Channel Error	Polyfuse Tripped	Temperature Warning	SPI Error	AUX Voltage Error	AUX Voltage Warning	Acknowledge Required

**Output Data**

Three bytes of process data are received by Moduflex from the IO-Link Master for control of solenoids.

**Process Output Data (Byte 0)**

7	6	5	4	3	2	1	0
EV8	EV7	EV6	EV5	EV4	EV3	EV2	EV1

**Process Output Data (Byte 1)**

7	6	5	4	3	2	1	0
EV16	EV15	EV14	EV13	EV12	EV11	EV10	EV9

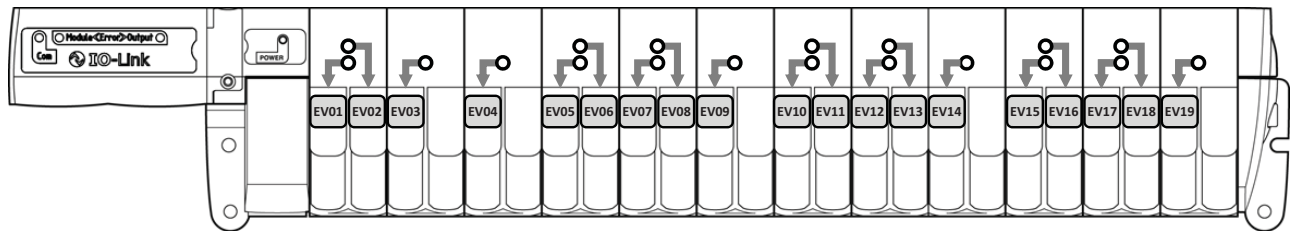
**Process Output Data (Byte 2)**

7	6	5	4	3	2	1	0
EV24	EV23	EV22	EV21	EV20	EV19	EV18	EV17

**Solenoid Pilots Addressing And Process Mapping**

**IO-Link Module addressing used with Moduflex Valve System**

The Moduflex IO-Link module used with Moduflex Valve System can handle up to 19 pilot solenoid valves. Addressing will be done as shown below.



	7	6	5	4	3	2	1	0
PLC mapping Process output	Byte 0	EV08 ..... EV01						
	Byte 1	EV16 ..... EV09						
	Byte 2	EV24 ..... EV17						

**IO-Link Module Electrical Specifications**

IO-Link Power Supply	According to IO-Link standard V1.1.2
Speed Communication	Com 2 – 38 kBd
Auxiliary Power Supply	20.4 VDC to 26.4 VDC
Current Limit per channel	150 mA
Max Current Limit	4 A
Polarity inversion	YES
Short Circuit Protection	YES
Operating Temperature	0°C to 55°C
Storage Temperature	-25°C to 70°C
Shock According to IEC	60068-2-27:2008
Vibration According to IEC	60068-2-6:2007
EMC According to IEC	61000-4-2 up to -4-6

**Network diagnostic through Process mapping:**

The Moduflex IO-Link module offers diagnostic data transmitted to the PLC through the master:

	7	6	5	4	3	2	1	0
PLC mapping Process input	Byte 0	Diag 7 . . . . . Diag 0						

Diag bit	Error message	Detail
Diag 0.....	Fail-safe status .....	Acknowledgment required
Diag 1.....	Auxiliary voltage warning.....	Check auxiliary power
Diag 2.....	Auxiliary voltage failure.....	Check auxiliary power
Diag 3.....	Module failure .....	Module HS. must be replaced
Diag 4.....	Module over-temperature	
Diag 5.....	Module over-load	
Diag 6.....	Pilot Solenoid(s) short circuit .....	Solenoid must be replaced
Diag 7.....	Outputs stage failure	

For further details, refer to the User Manual: Can be downloaded from [www.parker.com/pdn/io-link](http://www.parker.com/pdn/io-link)



For inventory, lead times, and kit lookup, visit [www.pdnplu.com](http://www.pdnplu.com)

D139c

**Parker Hannifin Corporation**  
 Pneumatic Division  
 Richland, Michigan  
[www.parker.com/pneumatics](http://www.parker.com/pneumatics)

**D**  
 Subbase & Manual Valves  
 H Series Micro  
 Moduflex Series  
 H Series ISO  
 Fieldbus Systems  
 DX ISOMAX Series  
 Valvair II Series





P2M2HBVA10808A



P2M2HBVA10808B

**Standard AS-i Protocol (up to 31 nodes)**  
**Communication module for 8 solenoids max.**  
**(2 nodes per module, 4 inputs, 4 solenoids per node)**

Input / Output capability	Weight (oz)	Part number
0 inputs and 8 solenoid outputs	5.29	<b>P2M2HBVA10800</b>
8 (PNP) inputs on eight (M8) connectors and 8 solenoid outputs	7.05	<b>P2M2HBVA10808A</b>
8 (PNP) inputs on four (M12) connectors and 8 solenoid outputs	7.05	<b>P2M2HBVA10808B</b>

**Fieldbus Accessories**

	Protocol	Connector type	Part number
Power supply Field wireable connector	Profibus DP / InterBus-S / DeviceNet / CANopen	M12 type A female	<b>P8CS1205AA</b>
Line termination resistor	Profibus DP / DeviceNet / CANopen	M12 type B / M12 type A	<b>P8BPA00MB</b> <b>P8BPA00MA</b>

**AS-i Version 2.1 Protocol (up to 62 nodes)**  
**Communication module for 6 solenoids max.**  
**(2 nodes per module, 4 inputs, 3 solenoids per node)**

Input / Output capability	Weight (oz)	Part number
0 inputs and 6 solenoid outputs	5.29	<b>P2M2HBVA20600</b>
8 (PNP) inputs on eight (M8) connectors and 6 solenoid outputs	7.05	<b>P2M2HBVA20608A</b>
8 (PNP) inputs on four (M12) connectors and 6 solenoid outputs	7.05	<b>P2M2HBVA20608B</b>

**AS-i Bus Accessories**

**M12 Cable with Jack for Addressing**

Length	Weight (oz)	Part number
1 m	3.53	<b>P8LS12JACK</b>

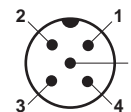
Most popular.

**M12 (Male) Power Supply Connector**

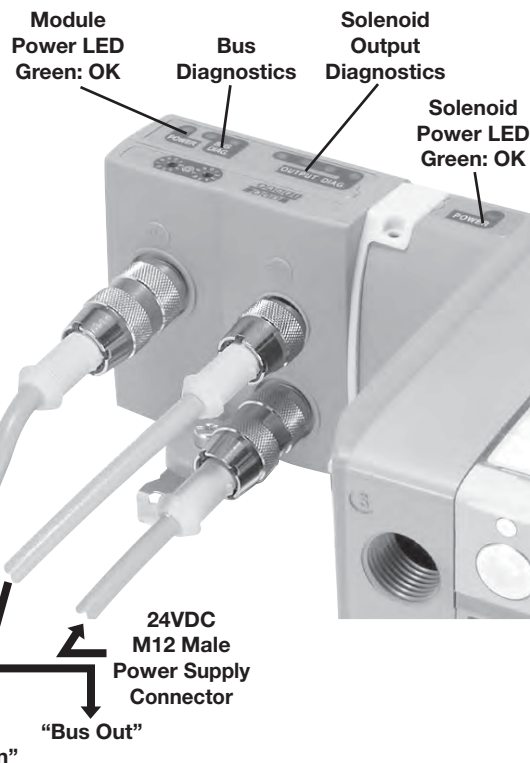
- 1 - 24VDC Module (Not Connected for DeviceNet and CANopen)
- 2 - Not Connected
- 3 - 0VDC Module and Solenoid
- 4 - 24VDC Solenoid
- 5 - Protected Earth (PE)

Profibus DP / DeviceNet / CANopen / InterBus-S

**24VDC**  
 (As Seen On Module)



M12 Male Type A



**Connection**

All communication modules have an M12 male connector for power supply.

Connector on Moduflex Modules are labeled. Bus Connectors are labeled "Bus In" and "Bus Out" while, Power Supply Connections are labeled "24VDC". Connect Fieldbus to "Bus In" and "Bus Out" and Power Supply to "24VDC".

**Diagnostic**

The two "power" indicators shown on the illustrations provide visual indication of the module and solenoid supply status.

**Note:** Output power to the solenoids can be wired to allow the user to turn the outputs off while allowing communications to remain on. This can be done by placing the user's Emergency Stop switch or other hard-wired control contact between Pin 1 and Pin 4. If this feature is not required, Pin 1 and Pin 4 should be wired together.

**D**  
 Subbase & Manual Valves  
 H Series Micro  
 Moduflex Series  
 H Series ISO  
 Fieldbus Systems  
 DX ISOMAX Series  
 Valvair II Series



For inventory, lead times, and kit lookup, visit [www.pdnplu.com](http://www.pdnplu.com)

**Communication Module: Connections, Addressing, Diagnostic**



**Bus Cable Connections**

Profibus DP standard male and female type B M12 connectors.

Line termination P8BPA00MB, is necessary on the “bus out” connector of the last station.

This module incorporates an Autobaud detect feature, eliminating the need to set switches.

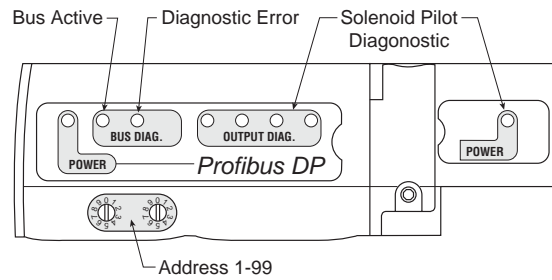
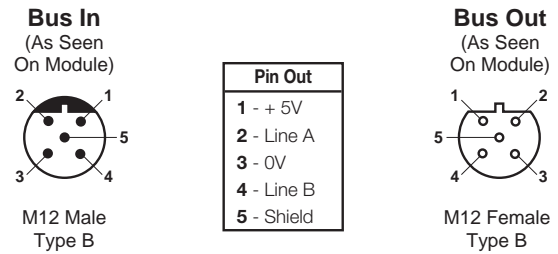
**Addressing**

Use the GSD file on web site.

The rotary switches enable configuration of the decimal address.

**Diagnostic**

Diagnostic according to the module dialog shown on the illustration.



**Bus Cable Connections**

DeviceNet standard male and female type A M12 connectors.

Line termination P8BPA00MA, is necessary on the “bus out” connector of the last station.

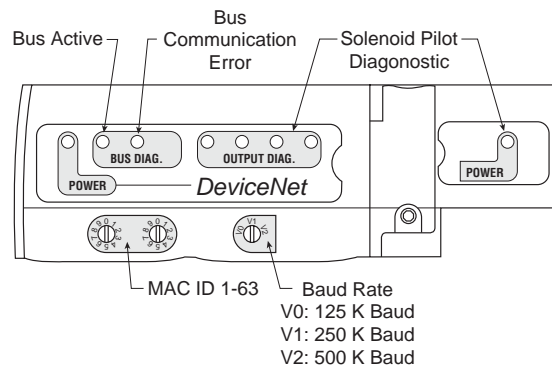
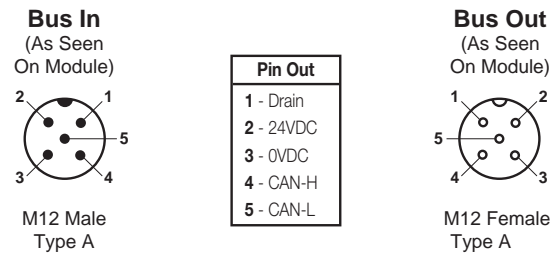
**Addressing**

Use the EDS file on web site.

The rotary switches enable configuration of the node address (MAC ID) and the baud rate.

**Diagnostic**

Diagnostic according to the module dialog shown on the illustration.



<b>D</b>	Subbase & Manual Valves
	H Series Micro
Moduflex Series	
H Series ISO	
Fieldbus Systems	
DX ISOMAX Series	
Valvair II Series	



For inventory, lead time, and kit lookup, visit [www.pdnplu.com](http://www.pdnplu.com)

# CANopen

## Bus Cable Connections

CANopen standard male and female type A M12 connectors.

Line termination P8BPA00MA, is necessary on the “bus out” connector of the last station.

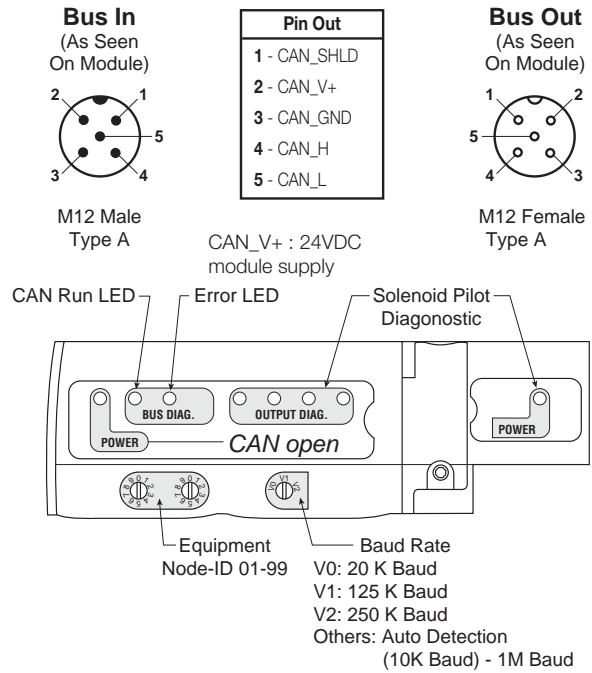
## Addressing

Use the EDS file on web site.

The rotary switches enable configuration of the decimal address.

## Diagnostic

Diagnostic according to the module dialog shown on the illustration.



# INTERBUS-S

## Bus Cable Connections

The M23 connectors conform to “Interbus remote bus”.

This module operates at 500 kbps.

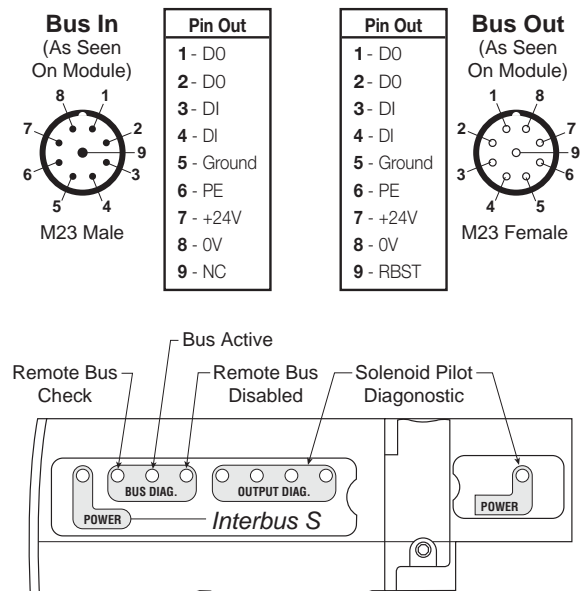
## Addressing

InterBus-S is self addressing; therefore, it does not need any software or hardware configuration.

## Diagnostic

Diagnostic according to the module dialog shown on the illustration.

This diagnostic conforms to the InterBus-S standard.



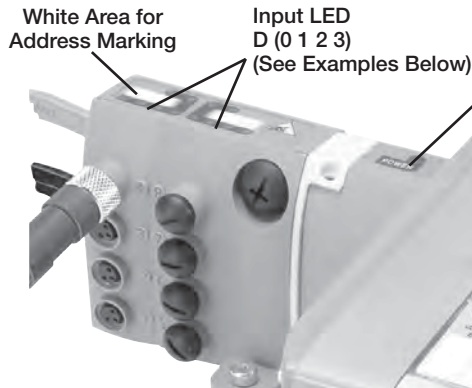
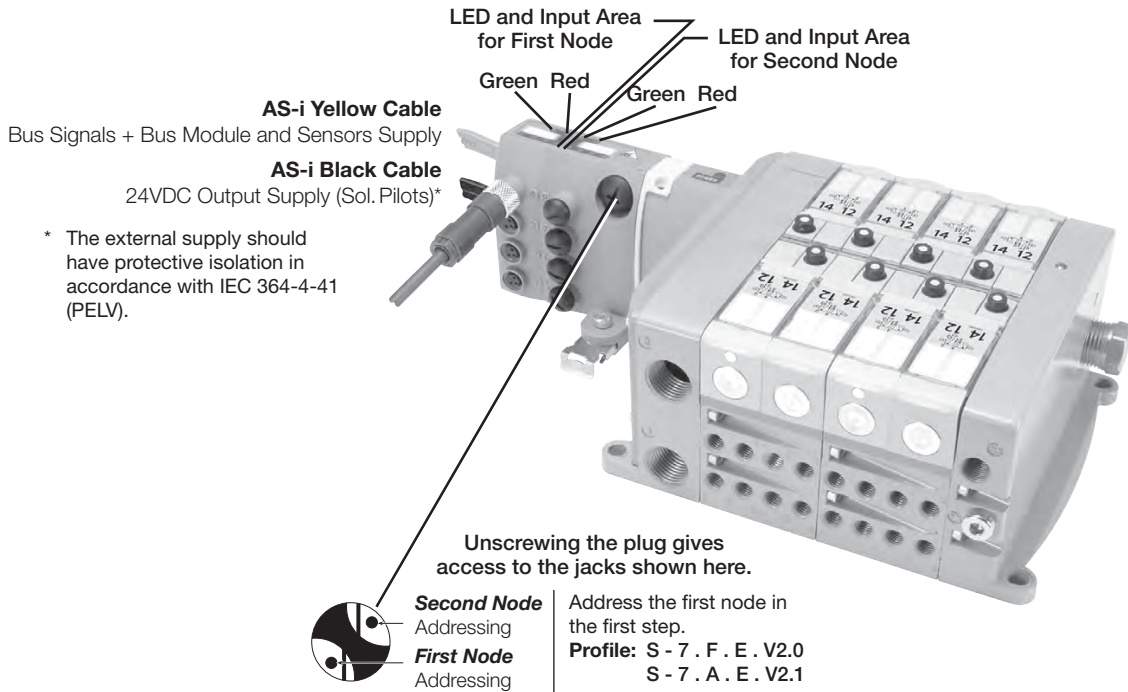
**Note:** For more details, please consult “Interbus remote bus” documentation.

- D
- Subbase & Manual Valves
- H Series Micro
- Moduflex Series
- H Series ISO
- Fieldbus Systems
- DX ISOMAX Series
- Valvair II Series



For inventory, lead times, and kit lookup, visit [www.pdnplu.com](http://www.pdnplu.com)

**AS-i Bus Communication Module: Addressing, Diagnostic, Input Wiring**  
**Bus Addressing, First and Second Node**



**Bus Diagnostic**

"Power" LED State		Off	Green	Red	
Power Supply		Sol. Pilot Supply	Normal Operation	Solenoid Overload	
First Node LEDs State		Second Node LEDs State		System Condition	
Green LED	Red LED	Green LED	Red LED		
★	○	★	○	Normal Operation	
○	○	○	○	No Module + Sensor Supply	
○	⚙	○	⚙	Input Overload	
○	★	○	⚙	No AS-i Communication	
⚙	★	○	⚙	Address First Node = 0	
★	○	⚙	★	Address Second Node = 0	

★ ON    ○ OFF    ⚙ BLINK

**Input Wiring**

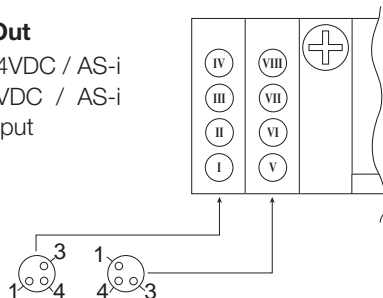
Physical Input (I, II, III, IV) = D (0 1 2 3) First Node,  
 Physical Input (V, VI, VII, VIII) = D (0 1 2 3) Second Node.

*Examples:* Physical Input III = Logical Input 6.2,  
 Physical Input V = Logical Input 7.0.

**M8 Female Connectors**

**Pin Out**

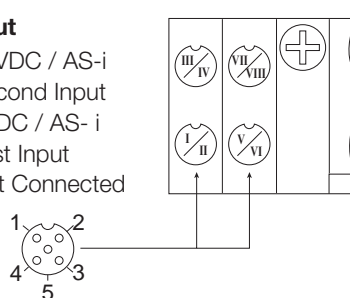
- 1 - 24VDC / AS-i
- 3 - 0VDC / AS-i
- 4 - Input



**M12 Female Connectors**

**Pin Out**

- 1 - 24VDC / AS-i
- 2 - Second Input
- 3 - 0VDC / AS-i
- 4 - First Input
- 5 - Not Connected



**Note:** With only one node, the inputs II and IV are connected to the connections on the right.



For inventory, lead time, and kit lookup, visit [www.pdnplu.com](http://www.pdnplu.com)

D143

**Parker Hannifin Corporation**  
 Pneumatic Division  
 Richland, Michigan  
[www.parker.com/pneumatics](http://www.parker.com/pneumatics)

**D**

Subbase & Manual Valves

H Series Micro

Moduflex Series

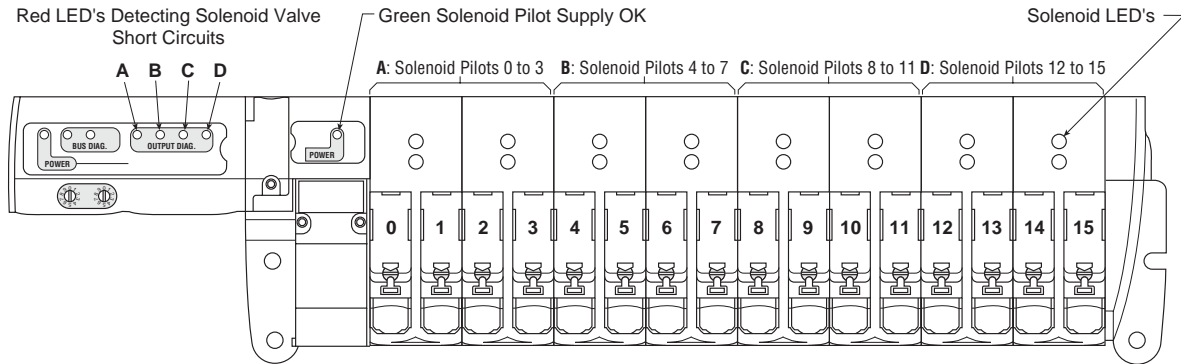
H Series ISO

Fieldbus Systems

DX ISOMAX Series

Valvair II Series

**Solenoid Pilot Diagnostic Common to All Device Bus Modules**



Inside the communication module, solenoid valve control is protected against short-circuits with the following visual indication provided:

- The red LEDs with code, shown above, detect solenoid valve short-circuits.
- Supply is OK when the solenoid pilot power supply indicator is green.

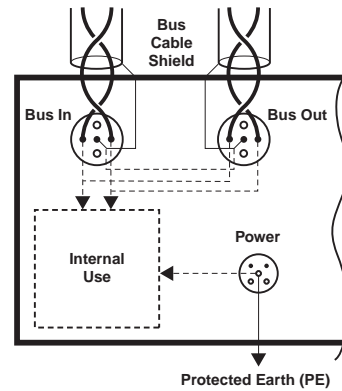
**D**  
 Subbase & Manual Valves  
 H Series Micro  
 Moduflex Series  
 H Series ISO  
 Fieldbus Systems  
 DX ISOMAX Series  
 Valvair II Series

**Bus Cable Protection**

**Shield Connections for Profibus DP, DeviceNet and CANopen**

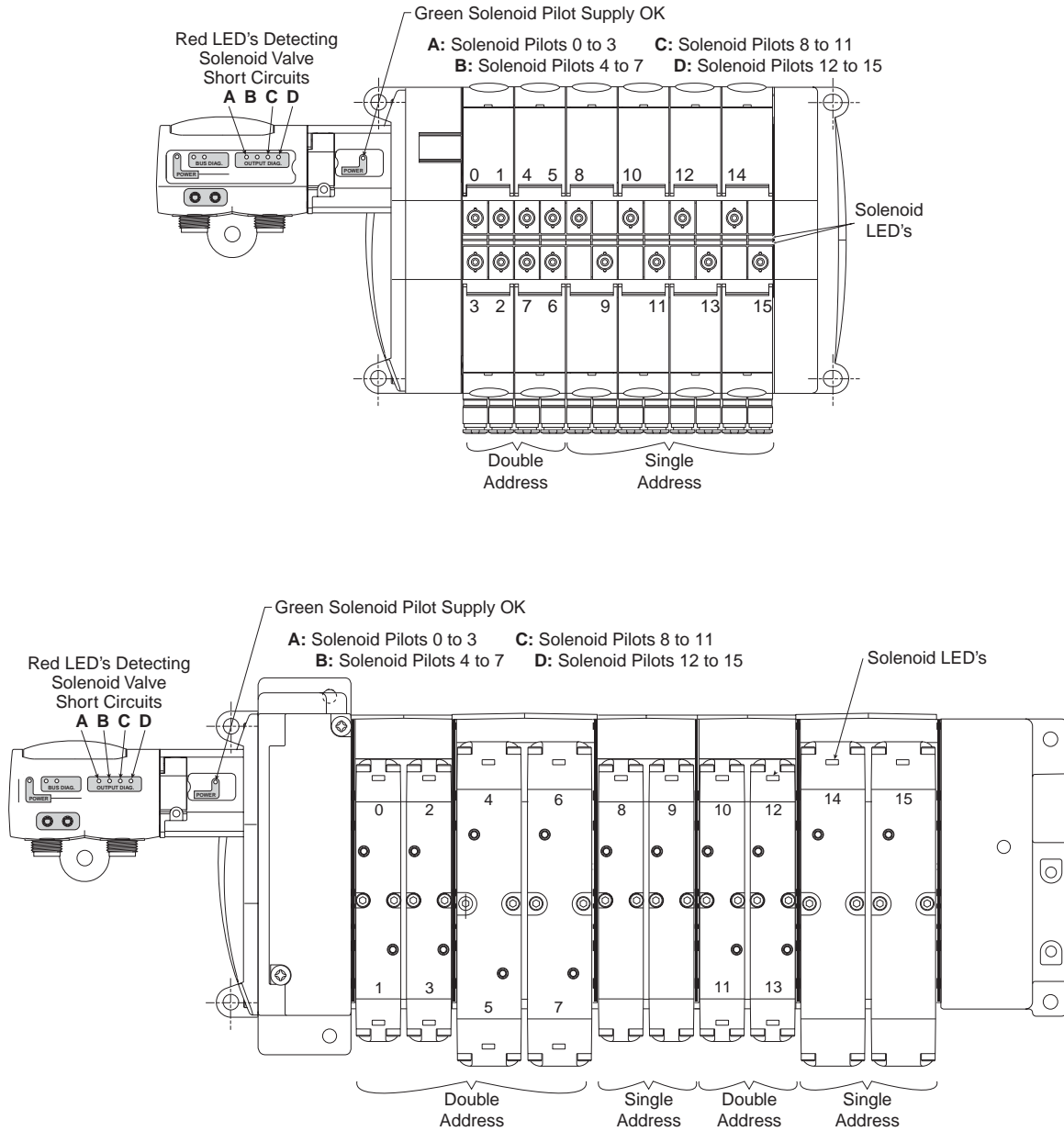
To provide protection against electro-magnetic interferences, the bus cables are shielded. The “bus in” and “bus out” connectors each include a pin for connecting the cable shield. It is safer to connect the shield to the protected earth (PE) at both ends of the bus. Within the communication module, provision is made to enable shield continuity by connecting the two shield pins.

The protected earth must be connected locally on each module for CE accordance.



For inventory, lead times, and kit lookup, visit [www.pdnplu.com](http://www.pdnplu.com)

**Solenoid Pilot Diagnostic Common to All Moduflex Fieldbus Modules**



Inside the communication module, solenoid valve control is protected against short-circuits with the following visual indication provided:

- The red LEDs with code, shown above, detect solenoid valve short-circuits.
- Supply is OK when the solenoid pilot power supply indicator is green.



For inventory, lead time, and kit lookup, visit [www.pdnplu.com](http://www.pdnplu.com)

D145

**Parker Hannifin Corporation**  
 Pneumatic Division  
 Richland, Michigan  
[www.parker.com/pneumatics](http://www.parker.com/pneumatics)

**D**

Subbase & Manual Valves

H Series Micro

Moduflex Series

H Series ISO

Fieldbus Systems

DX ISOMAX Series

Valvair II Series



### Serial Bus Specifications

<b>All Buses</b>	EMC / CE Mark	According to EN 61 000-6-2	EN 50081-2		
	AS-i Line	According to EN 50295			
	Solenoid Pilot Voltage	24VDC			
	Module Consumption	max. 70 mA (2 nodes)			
	<b>AS-i Bus</b>	Max. Supply for All Inputs	240 mA (including internal input consumption)		
		Internal Input Consump.	9 mA for each active input		
		Inputs	According to IEC 1131-2 class 2		
		Certification	These products have been developed according to the association complete specification (v.2.11) and to the slave profiles S-7.FE or S-B.FE		
		Bus Line	According to each bus specification		
	Module Voltage	20 to 30VDC			
Solenoid Pilot Voltage	24VDC				
<b>Device Bus</b>	Module Consumption	Profibus DP max. 1.5W	DeviceNet / CANopen max. 1.5W	InterBus-S max. 2W	
	Outputs	Overload protection			
	Certification	<b>DeviceNet:</b> Compliant to Composite Test Revision 17, Test Suite: M002			
		<b>Profibus-DP:</b> Compliant to Test Specifications for Profibus DP Slaves, Version 2.0, February 2000, based on EN 50170-2 at Siemens AG in Furth.			
		<b>InterBus-S:</b> This product has passed the relevant tests in accordance with the Interbus conformance requirements Certified No. 385.			

### I/O Tables Common to All Device Bus Modules

#### Input Data Table

Byte	Bit 0	Bit 1	Bit 2	Bit 3	Bit 4	Bit 5	Bit 6	Bit 7
0	Discrete Input 0 (Diagnostic LED 0-3)	Discrete Input 1 (Diagnostic LED 4-7)	Discrete Input 2 (Diagnostic LED 8-11)	Discrete Input 3 (Diagnostic LED 12-15)	—	—	—	—

#### Output Data Table

Byte	Bit 0	Bit 1	Bit 2	Bit 3	Bit 4	Bit 5	Bit 6	Bit 7
0	Discrete Output 0	Discrete Output 1	Discrete Output 2	Discrete Output 3	Discrete Output 4	Discrete Output 5	Discrete Output 6	Discrete Output 7
1	Discrete Output 8	Discrete Output 9	Discrete Output 10	Discrete Output 11	Discrete Output 12	Discrete Output 13	Discrete Output 14	Discrete Output 15

**D**  
 Subbase & Manual Valves  
 H Series Micro  
 Moduflex Series  
 H Series ISO  
 Fieldbus Systems  
 DX ISOMAX Series  
 Valvair II Series



For inventory, lead times, and kit lookup, visit [www.pdnplu.com](http://www.pdnplu.com)

D146

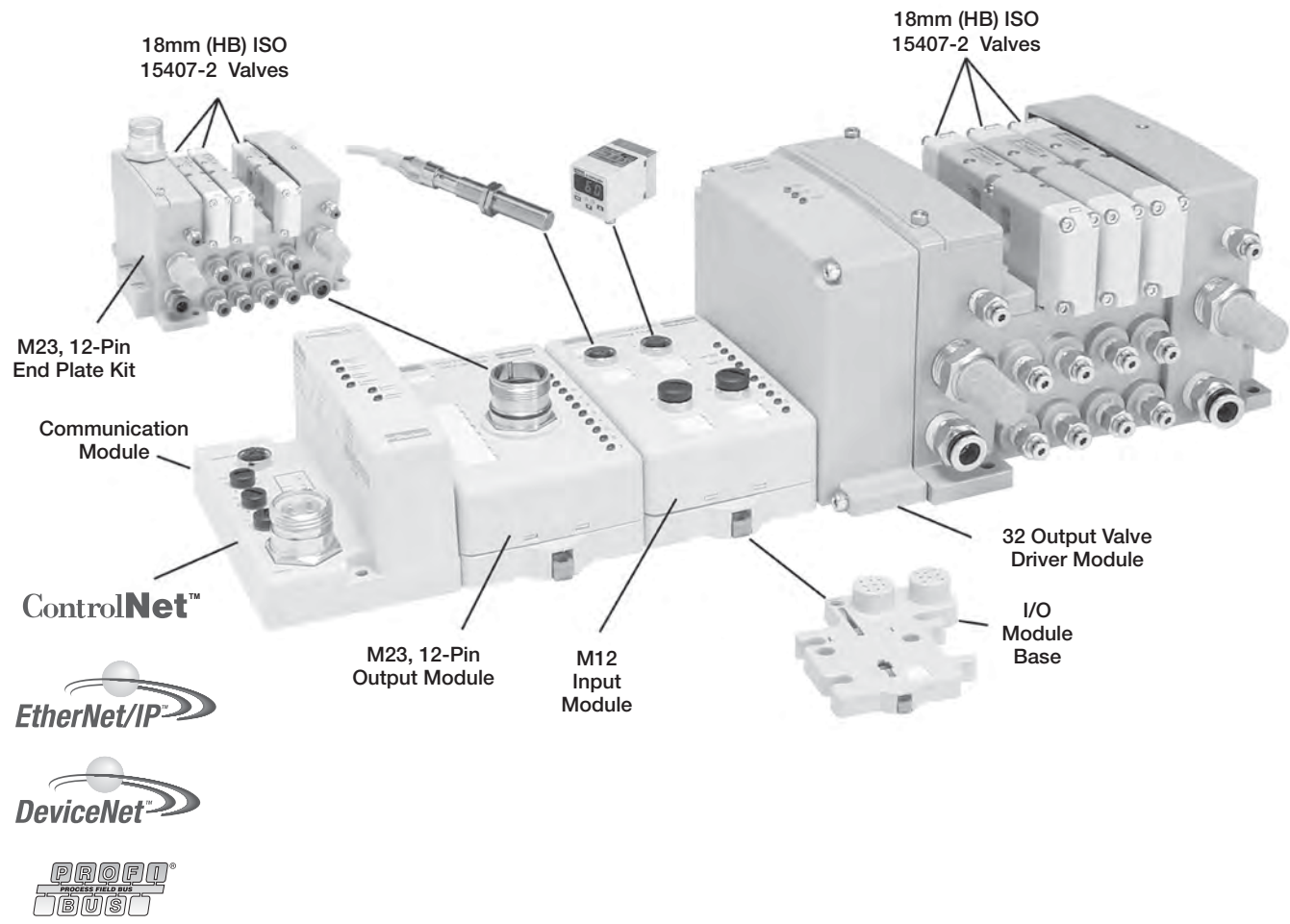
**Parker Hannifin Corporation**  
Pneumatic Division  
Richland, Michigan  
[www.parker.com/pneumatics](http://www.parker.com/pneumatics)

**H Series ISO & H Series Fieldbus System**

- A complete fieldbus communication offering for all H Series ISO and H Series Micro valves.
- CSA, C-US and CE certifications (as marked).

**I/O Configuration**

- Centralized H Series Fieldbus system.
- Pneumatics and I/O are in close proximity to one another.
- I/O density per module = 8 or 16.



<b>D</b>
Subbase & Manual Valves
H Series Micro
Moduflex Series
H Series ISO
Fieldbus Systems
DX ISOMAX Series
Valvair II Series



For inventory, lead time, and kit lookup, visit [www.pdnplu.com](http://www.pdnplu.com)

D147

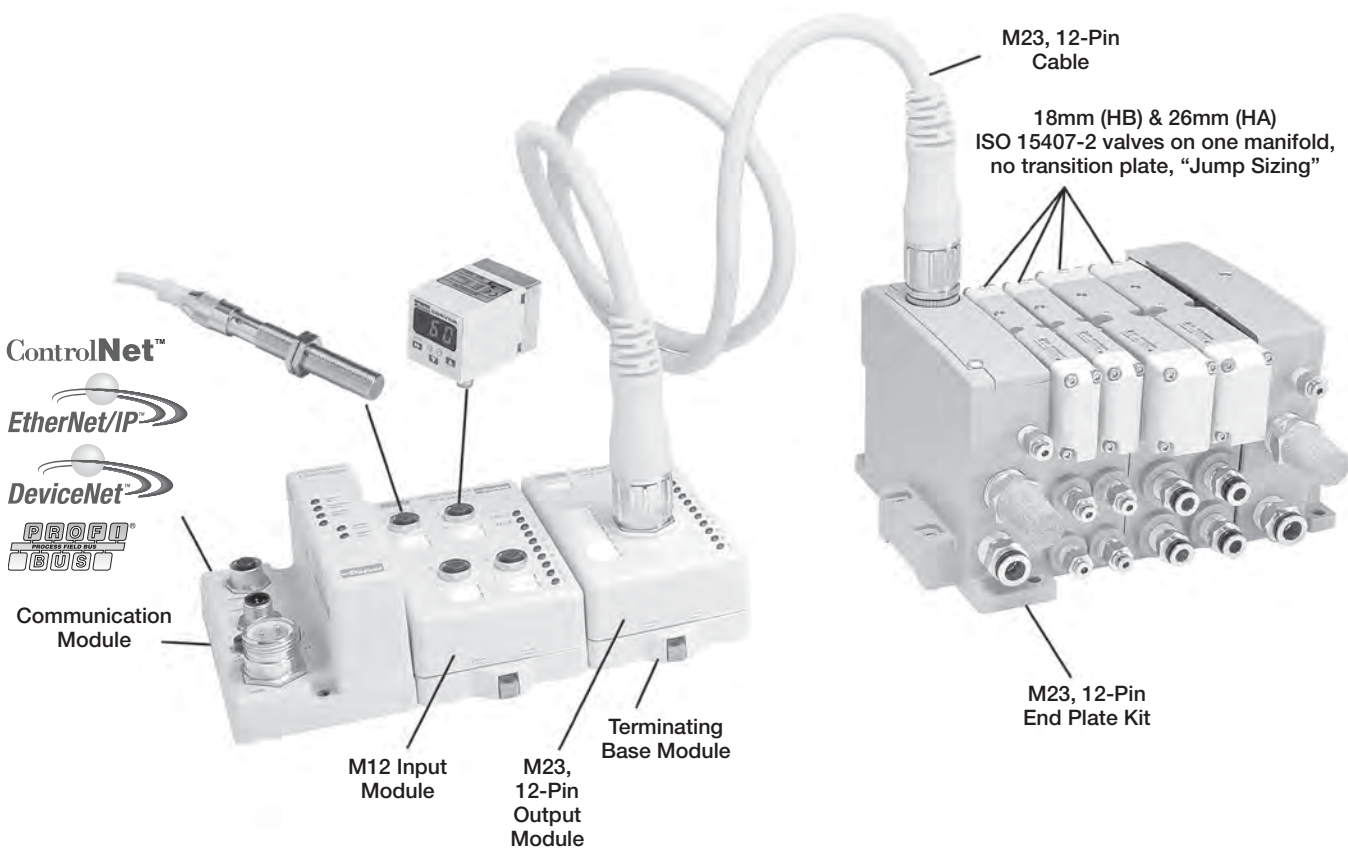
**Parker Hannifin Corporation**  
 Pneumatic Division  
 Richland, Michigan  
[www.parker.com/pneumatics](http://www.parker.com/pneumatics)

**H Series ISO & H Series Fieldbus System**

- A complete fieldbus communication offering for all H Series ISO and H Series Micro valves.
- CSA, C-US and CE certifications (as marked).

**I/O Configuration**

- Decentralized H Series Fieldbus system.
- Pneumatics and I/O are not in close proximity with one another.
- M23, 12-Pin or 19-Pin output extension to an H Series ISO valve island.
- 25-Pin, D-Sub output extension to an H Series ISO valve island.
- I/O density per module = 8 or 16.



D	Subbase & Manual Valves
	H Series Micro
	Modutlex Series
	H Series ISO
	Fieldbus Systems
	DX ISOMAX Series
	Valvair II Series



For inventory, lead times, and kit lookup, visit [www.pdnplu.com](http://www.pdnplu.com)

D148

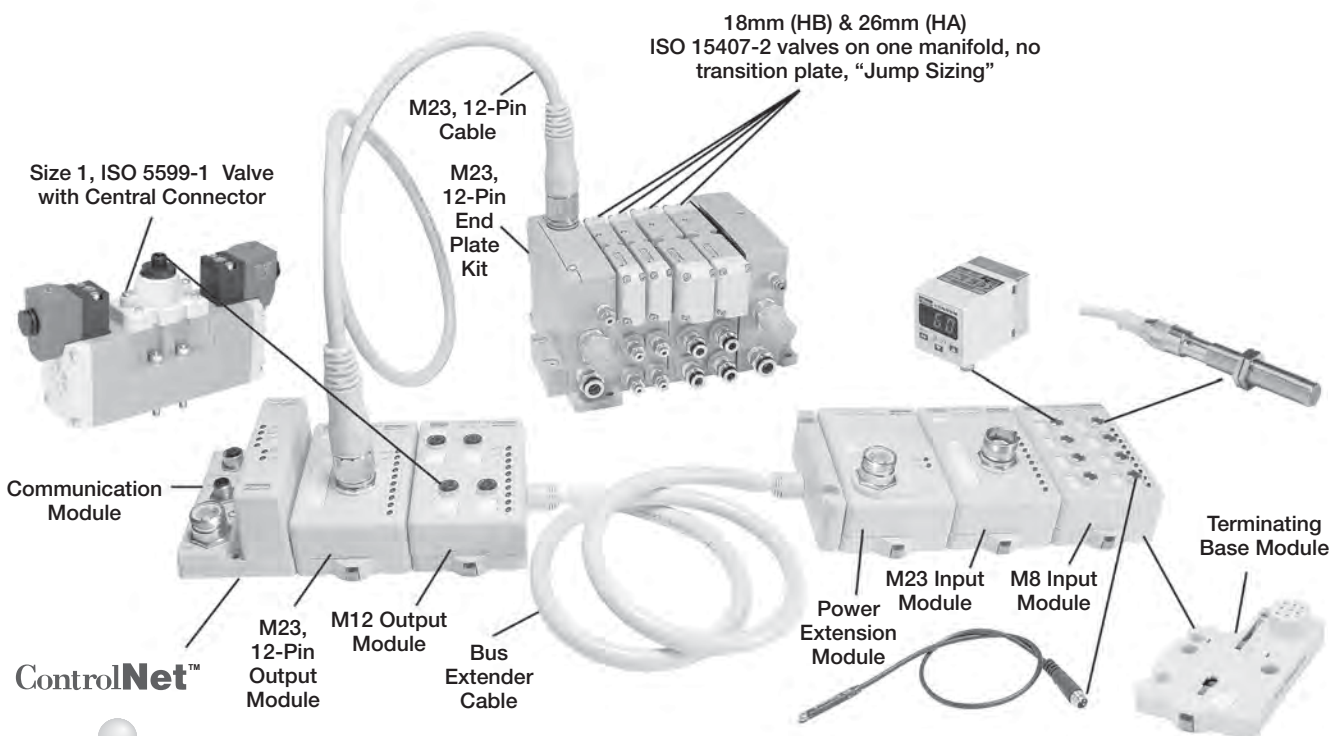
**Parker Hannifin Corporation**  
 Pneumatic Division  
 Richland, Michigan  
[www.parker.com/pneumatics](http://www.parker.com/pneumatics)

**H Series ISO & H Series Fieldbus System**

- A complete fieldbus communication offering for all H Series ISO and H Series Micro valves.
- CSA, C-US and CE certifications (as marked).

**I/O Configuration**

- Decentralized H Series Fieldbus system.
- Pneumatics and I/O are not in close proximity with one another.
- M23, 12-Pin or 19-Pin output extension to an H Series ISO valve.
- Separate output and input clusters using a bus extender cable.
- Separate output and input power using a power extension module.
- 25-Pin, D-Sub output extension to an H Series ISO valve island.
- I/O density per module = 8 or 16.



**ControlNet™**

**EtherNet/IP™**

**DeviceNet™**

**PROFIBUS**  
PROCESS FIELD BUS

<b>D</b>
Subbase & Manual Valves
H Series Micro
Moduflex Series
H Series ISO
Fieldbus Systems
DX ISOMAX Series
Valvair II Series



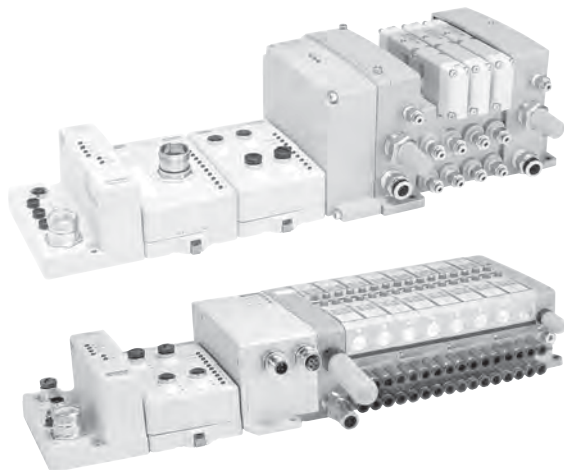
For inventory, lead time, and kit lookup, visit [www.pdnplu.com](http://www.pdnplu.com)

## Features

### The H Series Fieldbus System

**H Series Fieldbus has four major components:**

- Valve driver module provide control for 32 solenoids on a manifold, with bus extension providing connectivity to 3 more manifolds
- I/O modules provide the field interface, system-interface circuitry, and bases for mounting
- Communication modules provide the network-interface circuitry
- Power distribution module provide 5 additional power inputs to the H Series Fieldbus system



## Subbase & Manifold Valve Products H Series Fieldbus System

### H Series Fieldbus Features

- Highly modular design (4pt – 16pt modularity)
- Broad application coverage
- Channel-level diagnostics (LED)
- Channel-level alarm and annunciation (electronic)
- Channel-level open-wire detection with electronic feedback
- Parameter-level explicit messaging
- Horizontal and vertical mounting without derating
- 5g vibration
- Electronic and mechanical keying
- Robust backplane design
- Quick-disconnects for I/O and network connectivity
- Built-in panel grounding
- Color-coded module labels
- UL, C-UL, and CE certifications (as marked)
- Highly reliable structural integrity
- Optical isolation between field and system circuits

D

Subbase & Manual  
Valves

### Communications Module



Protocol	Part number
DeviceNet™	<b>PSSCDM18PA (7/8" Mini) or PSSCDM12A (M12)</b>
ControlNet™	<b>PSSCCNA</b>
Ethernet I/P™	<b>PSSCENA</b>
Profibus-DP®	<b>PSSCPBA</b>

**PSSCENA**

All Modules IP67 Certified  
Reference the following documents for installation instructions.  
DeviceNet - E101P, PSS-UM001A; Control Net - E103P  
Ethernet I/P - E104P; Profibus-DP - E102P

H Series  
Micro

### Digital Inputs



PSSN16M12A

PSSN8M8A

I/O modules	Voltage	Part number
16 digital inputs M12, 5-pin used with PNP sourcing input device	10 to 28.8VDC	<b>PSSN16M12A</b>
8 digital inputs M12, 5-pin used with PNP sourcing input device	10 to 28.8VDC	<b>PSSN8M12A</b>
8 digital inputs M12, 5-pin used with NPN sinking input device	10 to 28.8VDC	<b>PSSP8M12A</b>
8 digital inputs M8, 3-pin used with PNP sourcing input device	10 to 28.8VDC	<b>PSSN8M8A</b>
8 digital inputs M23, 12-pin used with PNP sourcing input device	10 to 28.8VDC	<b>PSSN8M23A</b>

Reference E106P document for installation instructions.

   Most popular.

Moduteflex  
Series

H Series  
ISO

Fieldbus  
Systems




DX ISOMAX  
Series

Valvair II  
Series




For inventory, lead times, and kit lookup, visit [www.pdnplu.com](http://www.pdnplu.com)

### Digital Outputs

	I/O modules	Voltage	Part number
 <b>PSST16D25A</b>	16 digital outputs M23, 19-pin used with PNP sourcing outputs*	10 to 28.8VDC	<b>PSST16M23A</b>
	16 digital outputs D-sub, 25-pin used with PNP sourcing outputs*	10 to 28.8VDC	<b>PSST16D25A</b>
	16 digital outputs M12, 5-pin used with PNP sourcing outputs*	10 to 28.8VDC	<b>PSST16M12A</b>
 <b>PSST16M12A</b>	8 digital outputs M12, 5-pin used with PNP sourcing outputs*	10 to 28.8VDC	<b>PSST8M12A</b>
	8 digital outputs M8, 3-pin used with PNP sourcing outputs*	10 to 28.8VDC	<b>PSST8M8A</b>
 <b>PSSTR4M12A</b>	4 digital output, high watt relay M12, 5-pin used with PNP sourcing outputs (2 Amp) <sup>§</sup>	24VDC	<b>PSSTR4M12A</b>
	8 digital outputs M23, 12-pin used with PNP sourcing outputs*	10 to 28.8VDC	<b>PSST8M23A</b>


All modules IP67 certified  
Reference the following documents for installation instructions.  
+ E107P  
§ E109P  
See [www.pdnplu.com](http://www.pdnplu.com)

### Analog Inputs

	I/O modules	Voltage	Part number
 <b>PSSNACM12A</b>	2 Analog inputs voltage M12, 5-pin <sup>†</sup>	-10 to 10VDC or 0 to 10VDC	<b>PSSNAVM12A</b>
	2 Analog inputs current M12, 5-pin <sup>†</sup>	4 to 20mA or 0 to 20mA	<b>PSSNACM12A</b>


All modules IP67 certified  
<sup>†</sup> Reference E110P document for installation instructions.  
See [www.pdnplu.com](http://www.pdnplu.com)

### Analog Outputs

	I/O modules	Voltage	Part number
 <b>PSSTACM12A</b>	2 Analog outputs voltage M12, 5-pin**	0 to 10V ± 10V	<b>PSSTAVM12A</b>
	2 Analog outputs current M12, 5-pin**	4 to 20mA or 0 to 20mA	<b>PSSTACM12A</b>

All modules IP67 certified  
\*\* Reference E111P document for installation instructions.  
See [www.pdnplu.com](http://www.pdnplu.com)

### Terminating Base Module

	Base module	Part number
 <b>PSSTERM</b>	Termination base for stand alone units	<b>PSSTERM</b>

Used as the last terminating module for a stand alone H Series Fieldbus assembly.

 Most popular.



For inventory, lead time, and kit lookup, visit [www.pdnplu.com](http://www.pdnplu.com)

D151

**Parker Hannifin Corporation**  
Pneumatic Division  
Richland, Michigan  
[www.parker.com/pneumatics](http://www.parker.com/pneumatics)

**D**

Subbase & Manual Valves

H Series Micro

Moduflex Series

H Series ISO

Fieldbus Systems

DX ISOMAX Series

Valvair II Series



**Power Extender Module**

	Extender module	Part number
	24VDC field power module	<b>PSSSE24A</b>

A Power Extender Module must be used on every 14th module in H Series Fieldbus assembly.  
 Reference document E105P and PSS-SG001 for configuration instructions.  
 See [www.pdnplu.com](http://www.pdnplu.com)

**Bus Extender Cable**

	Description	Voltage	Part number
	1 Meter Cable*	24VDC	<b>PSSEXT1</b>
	3 Meter Cable*	24VDC	<b>PSSEXT3</b>

\* Requires a PSSSE24 Power Extender Module  
 IP67 certified  
 Reference E117P document for installation instructions.  
 See [www.pdnplu.com](http://www.pdnplu.com)

**H Series Micro Bus Extender Cable**

	Description	Voltage	Part number
	1 Meter Cable*	24VDC	<b>PSSVEXT1</b>

\* IP67 certified.

**Replacement Base Module**

	Description	Part number
	Base Module	<b>PSSBASE</b>

**D**

Subbase & Manual Valves

H Series Micro

Modulflex Series

H Series ISO

Fieldbus Systems

DX ISOMAX Series

Valvair II Series

 Most popular.



For inventory, lead times, and kit lookup, visit [www.pdnplu.com](http://www.pdnplu.com)

**Using Bus Extender Cables**

**Example #1:**

**H Series ISO with Standard Bus Extender Cable**

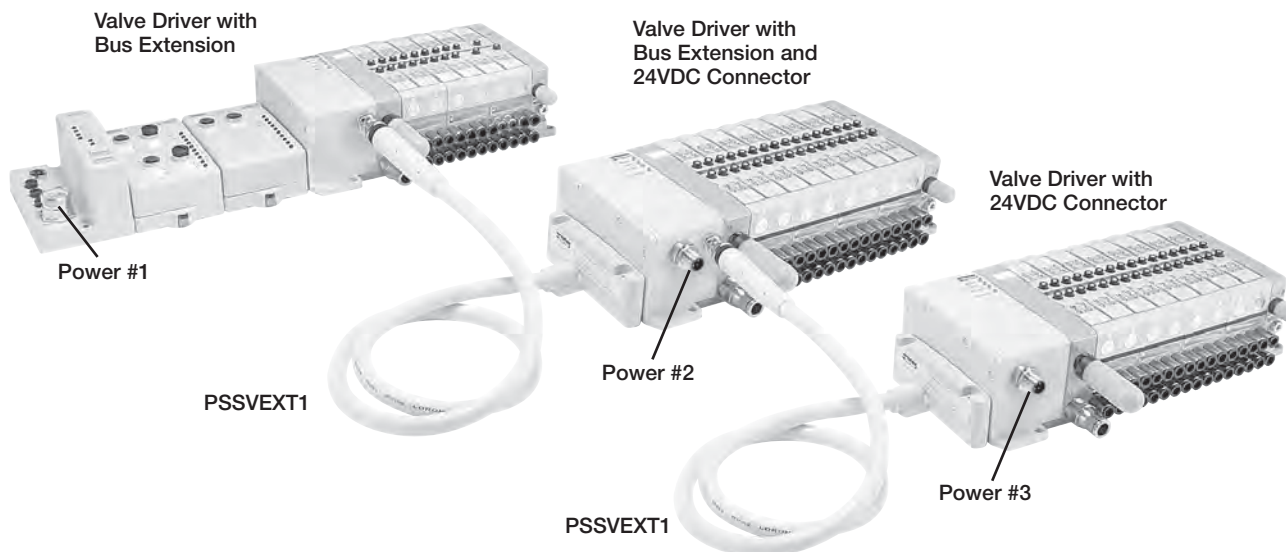
- Separate the communication module and a portion of the I/O from other I/O and the valve manifold.
- Commonly used when overall length is restricted.
- PSSSE24A is needed on the extension. No 24VDC connector needed on the H Series Fieldbus end plate.
- Can be used with H Series ISO and H Series Micro valves.



**Example #2:**

**H Series Micro with Bus Extension on Valve Driver Module – No additional I/O at the Extension**

- Add up to three additional valve manifolds without adding another communication module.
- No PSSSE24A is needed on the Extension when the Valve Driver Module with 24VDC Connector is used.
- Commonly used when many valves are required.
- Bus expansion only available with H Series Micro valves.



<b>D</b>
Subbase & Manual Valves
H Series Micro
Moduflex Series
H Series ISO
Fieldbus Systems
DX ISOMAX Series
Valvair II Series



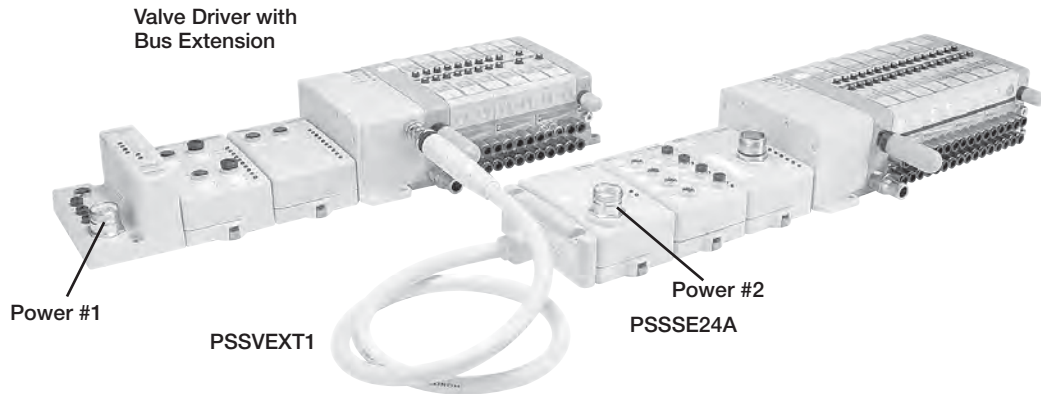
For inventory, lead time, and kit lookup, visit [www.pdnplu.com](http://www.pdnplu.com)

**Using Bus Extender Cables (continued)**

**Example #3:**

**H Series Micro with Bus Extension on Valve Driver – With I/O at Extension**

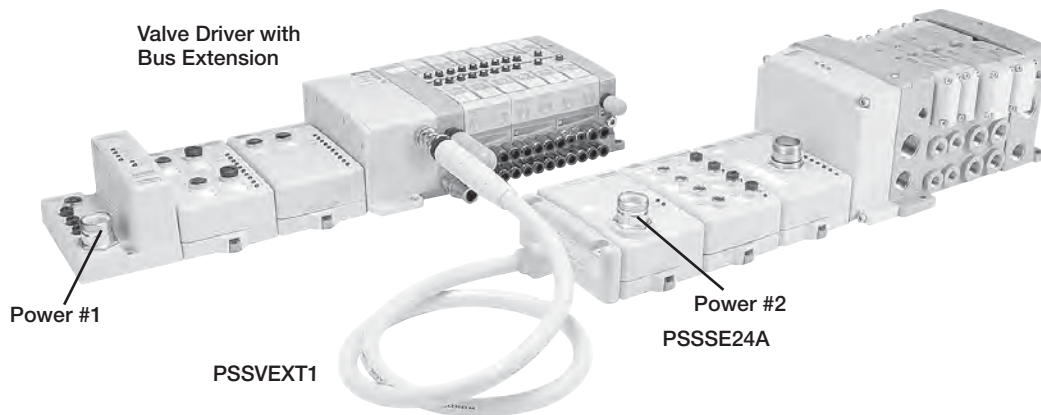
- Add up to three additional valve manifolds without adding another communication module.
- PSSSE24A is needed on the Extension. No 24VDC Connector needed on the H Series Fieldbus end plate.
- Commonly used when many valves are required, and each location requires additional I/O.
- Bus expansion only available with H Series Micro.



**Example #4:**

**H Series Micro with Bus Extension on Valve Driver Module – With I/O at the Extension and larger H Series ISO Valve Manifold**

- Add up to two additional H Series Micro valve manifolds and one H Series ISO valve manifold without adding another communication module.
- PSSSE24A is needed on the Extension.
- H Series ISO valve manifold must be the last manifold on the Extension
- Commonly used when many valves are required, and each location requires additional I/O.
- Bus expansion only available with H Series Micro. H Series ISO manifold must be the last manifold in the system.



D	Subbase & Manual
Valves	H Series Micro
Modulflex Series	H Series ISO
Fieldbus Systems	DX ISOMAX Series
Valvair II Series	



For inventory, lead times, and kit lookup, visit [www.pdnplu.com](http://www.pdnplu.com)

**Digital I/O Modules**

Choose digital I/O modules when you need:

- **Input Modules.** An input module responds to an input signal in the following manner:
  - Input filtering limits the effect of voltage transients caused by contact bounce and/or electrical noise. If not filtered, voltage transients could produce false data. All input modules use input filtering.
  - Optical isolation shields logic circuits from possible damage due to electrical transients.
  - Logic circuits process the signal.
  - An input LED turns on or off indicating the status of the corresponding input device.
- **Output Modules.** An output module controls the output signal in the following manner:
  - Logic circuits determine the output status.
  - An output LED indicates the status of the output signal.
  - Optical isolation separates module logic and bus circuits from field power.
  - The output driver turns the corresponding output on or off.
- **Surge Suppression.** Most output modules have built-in surge suppression to reduce the effects of high-voltage transients. However, we recommend that you use an additional suppression device if an output is being used to control inductive devices, such as:
  - Relays
  - Motor starters
  - Solenoids
  - Motors

Additional suppression is especially important if your inductive device is in series with, or parallel to, hard contacts such as:

  - Push buttons
  - Selector switches

The digital I/O modules support:

- A wide variety of voltage interface capabilities
- Isolated and non-isolated module types
- Point-level output fault states
- Choice of direct-connect or rack-optimized communications
- Field-side diagnostics on select modules

Connector types are indicated by the catalog number. For example, the PSSN8M12A has an M12 connector.

**Digital DC Input Modules**

	PSSN8M8A PSSN8M12A PSSN8M23A	PSSN16M12A	PSSP8M12A
Number of Inputs	8 PNP Sourcing	16 PNP Sourcing	8 NPN Sinking
Keyswitch Position	1		
Voltage, On-State Input, Nom.	24VDC		
Voltage, On-State Input, Min.	10VDC		
Voltage, On-State Input, Max.	28.8VDC		
Input Delay Time, ON to OFF	0.5 ms hardware + (0...65 ms selectable)*		
Current, On-State Input, Min.	2 mA		
Current, On-State Input, Max.	5 mA		
Current, Off-State Input, Max.	1.5 mA		
Bus Power Current (mA)	75		
Power Dissipation, Max.	1.0 W @ 28.8VDC		

\* Input ON-to-OFF delay time is the time from a valid input signal to recognition by the module.

**Digital DC Output Modules**

	PSST8M8A PSST8M12A PSST8M23A	PSST16M223A PSST16D25A PSST16M12A
Number of Outputs	8 PNP sourcing	16 PNP Sourcing
Keyswitch Position	1	
Voltage, On-State Output, Nom.	24VDC	
Voltage, On-State Output, Min.	10VDC	
Voltage, On-State Output, Max.	28.8VDC	
Output Current Rating, Max.	3.0 A per module, 1.0 A per channel	
Bus Power Current (mA)	75	
Power Dissipation, Max.	1.2 W @ 28.8VDC	

**Relay Output Module**

	PSSTR4M12A
Number of Outputs	4 Form A (N.O.) relays, isolated
Key switch Position	7
Output Delay Time, ON to OFF, Max.	26 ms*
Contact Resistance, Initial	30 mΩ
Current Leakage, Off-State Output, Max.	1.2 mA and bleed resistor thru snubber circuit @ 240V ac
Output Current Rating, Max	8.0 A per module, 2.0 A per channel
Bus Power Current (mA)	90
Power Dissipation, Max.	0.5 W

\*Time from valid output off signal to relay de-energization by module.



For inventory, lead time, and kit lookup, visit [www.pdnplu.com](http://www.pdnplu.com)

**Analog I/O Modules**

The H Series Fieldbus analog modules support: on-board, channel-level data alarming (four set-points per channel); scaling to engineering units; channel-level diagnostics (electronic bits and LEDs); and integer format.

Choose analog I/O modules when you need:

- **Individually configurable channels** to use the module(s) with a variety of sensors.
- **On-board scaling** to eliminate the need to scale the data in the controller. Controller processing time and power are preserved for more important tasks, such as I/O control, communications, or other user-driven functions.
- **On-line configuration.** Modules can be configured in the RUN mode using the programming software or the control program. This allows you to change configuration while the system is operating. For example, the input filter for a particular channel could be changed, or a channel could be disabled based on a batch condition. To use this feature, the controller and network interface must also support this feature.
- **Over- and under-range detections and indications.** This eliminates the need to test values in the control program, saving valuable processing power of the controller. In addition, since alarms are handled by the module, the response is faster and only a single bit per channel is monitored to determine if an error condition has occurred.

- **Ability to direct output device operation during an abnormal condition.** Each channel of the output module can be individually configured to hold its last value or assume a user-defined value on a fault condition. This feature allows you to set the condition of your analog devices, and therefore your control process, which may help to ensure a reliable shutdown.
- **Ability to individually enable and disable channels.** Disabling unused channels improves module performance.
- **Selectable input filters** This lets you select the filter frequencies for each channel that best meets the performance needs of your application based on environmental limitations. Lower filter settings provide greater noise rejection and resolution. Higher filter settings provide faster performance. Note: The analog modules provide four input filter selections.
- **Selectable response to broken input sensor.** This feature provides feedback to the controller that a field device is not connected or operating properly. This lets you specify corrective action based on the bit or channel condition.
- **High accuracy.** The modules share a high accuracy rating of  $\pm 0.1\%$  of full-scale accuracy at 25 °C.

**Analog Input Modules**

	PSSNACM12A	PSSNAV12A
Number of inputs	2	2
Key switch position	3	3
Input signal range	4...20 mA 0...20 mA	-10 to 10VDC 0 to 10VDC
Input resolution, bits	16 bits - over 21 mA 0.32 $\mu$ A/cnt	15 bits plus sign 320 $\mu$ V/cnt in unipolar or bipolar mode
Absolute accuracy, current input	0.1% Full Scale @ 25°C*†	—
Absolute accuracy, voltage input	—	0.1% Full Scale @ 25°C*†
Input step response, per channel	70 ms @ Notch = 60 Hz (default) 80 ms @ Notch = 50 Hz 16 ms @ Notch = 250 Hz 8 ms @ Notch = 500 Hz	70 ms @ Notch = 60 Hz (default) 80 ms @ Notch = 50 Hz 16 ms @ Notch = 250 Hz 8 ms @ Notch = 500 Hz
Input conversion type	Delta Sigma	Delta Sigma
Bus power current (mA)	75	75
Power dissipation, max.	0.6 W @ 28.8VDC	0.6 W @ 28.8VDC

\* Includes offset, gain, non-linearity and repeatability error terms.

† Analog input modules support these configurable parameters and diagnostics: open-wire with LED and electronic reporting; four-alarm and annunciation set-points; calibration mode and electronic reporting; under and over-range and electronic reporting; channel signal range and update rate and on-board scaling; filter-type; channel update rate.

**Analog Output Modules**

	PSSTACM12A	PSSTAVM12A
Number of outputs	2	2
Key switch position	4	4
Output signal range	4...20 mA 0...20 mA	-10 to 10VDC 0 to 10VDC
Output resolution, bits	13 bits - over 21 mA 2.5 $\mu$ A/cnt	14 bits (13 plus sign) 1.28 mV/cnt in unipolar or bipolar mode
Absolute accuracy, current output	0.1% Full Scale @ 25°C*†	—
Absolute accuracy, voltage output	—	0.1% Full Scale @ 25°C*†
Step response to 63% of FS,	24 $\mu$ s	— Current Output
Step response to 63% of FS,	—	20 $\mu$ s Voltage Output
Output conversion rate	16 $\mu$ s	20 $\mu$ s
Bus power current (mA)	75	75
Power dissipation, max.	1.0 W @ 28.8VDC	1.0 W @ 28.8VDC

\* Includes offset, gain, non-linearity and repeatability error terms.

† Analog output modules support these configurable parameters and diagnostics: open-wire with LED and electronic reporting (PSSTACM12A only); fault mode; idle mode; alarms; channel signal range and on-board scaling.

D

Subbase & Manual  
Valves

H Series  
Micro

Modulflex  
Series

H Series  
ISO

Fieldbus  
Systems

DX ISOMAX  
Series

Valvair II  
Series



For inventory, lead times, and kit lookup, visit [www.pdnplu.com](http://www.pdnplu.com)

**Valve Driver Modules**

The PSSV32A and PSSVM32A valve driver modules provide an interface between the H Series Fieldbus serial bus system and the valve assembly. These modules will always be the last on the H Series Fieldbus serial bus, and control 32 digital outputs at 24VDC. Depending on the valve selection, a valve driver module can control up to 32 single solenoid valves or 16 double solenoid valves.

PSSV32A is used with H Series ISO valves and PSSVM32A is used with H Series Micro valves.

**Specifications**

	<b>PSSV32A and PSSVM32A</b>
Outputs per Module	32, PNP sourcing
Voltage Drop, On-State Output, Maximum	0.2VDC
Voltage, Off-State Output, Maximum	28.8VDC
Voltage, On-State Output, Maximum	28.8VDC
Minimum	10VDC
Nominal	24VDC
Output Current Rating	200 mA per channel, not to exceed 6.0 A per module
Output Surge Current, Maximum	0.5 A for 10 ms, repeatable every 3 seconds
Current Leakage, Off-State Output, Maximum	0.1 mA
Current, On-State Output Minimum	200 mA per channel
Output Delay Time OFF to ON, Maximum <sup>1</sup>	0.1 ms
Output Delay Time, ON to OFF, Maximum <sup>1</sup>	0.1 ms
External DC Power Supply Voltage Range	10 to 28.8VDC
External DC Power Supply Voltage Nominal	24VDC

1. OFF to ON or ON to OFF delay is time from a valid output "on" or "off" signal to output energization or de-energization.

**Select the Appropriate Power Supply**

Part number	Power supply Input voltage, Nom.	Operating Voltage range	Maximum continuous current draw	Power supply Inrush current, Max.	Input Overvoltage Protection	Power supply Interruption Protection
<b>PSSCDM12A</b>	24VDC	10...28.8VDC	10 A	6 A for 10 ms	Reverse polarity protected	Output voltage will stay within specifications when input drops out for max. load.
<b>PSSCDM18PA</b>						
<b>PSSCCNA</b>						
<b>PSSCENA</b>						
<b>PSSCPBA</b>						
<b>PSSSE24A</b>						



For inventory, lead time, and kit lookup, visit [www.pdnplu.com](http://www.pdnplu.com)



**Power Extender Module**

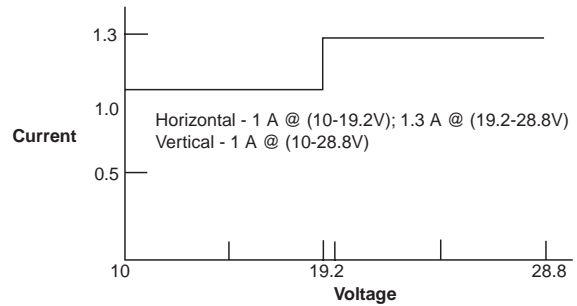
The PSSSE24A expansion power unit passes 24VDC field power to the I/O modules to the right of it. This unit extends the backplane bus power and creates a new field voltage partition segment for driving field devices for up to 13 I/O modules. The expansion power unit separates field power from I/O modules to the left of the unit, effectively providing functional and logical partitioning for:

- Separating field power between input and output modules
- Separating field power to the analog and digital modules
- Grouping modules to perform a specific task or function

You can use multiple expansion power units with any of the communication adapters to assemble a full system. If you are using the PSSCDM12A adapter, you may use a PSSSE24A expansion power unit to add additional modules. For example, if you had a 36 module system with a PSSCDM12A adapter, you would have at least two or more PSSSE24A expansion power units to provide more bus power current for modules to the right of the supply.

- 1.3A of additional bus power
- Starts new voltage distribution
- Partitioning for E-Stop wiring

**PSSSE24A Current Derating for Mounting**



**Power Distribution General Specifications**

	PSSSE24A
Power Supply Requirements	<b>Note:</b> In order to comply with CE Low Voltage Directives (LVD), you must use a Safety Extra Low Voltage (SELV) or a Protected Extra Low Voltage (PELV) power supply to power this adapter
Field Side Power Requirements	24VDC (+20% = 28.8VDC max.) @ 400 mA
Inrush Current, Max.	6 A for 10 ms
Input Overvoltage Protection	Reverse polarity protected
Power Supply Interruption Protection	Output voltage will stay within specifications when input drops out for 10 ms at 10V with max. load
Power Supply Input Voltage, Nom.	24VDC
Operating Voltage Range	10...28.8VDC
Power Consumption, Max.	9.8 W @ 28.8VDC
Power Dissipation, Max.	3.0 W @ 28.8VDC
Thermal Dissipation, Max.	10.0 BTU/hr @ 28.8VDC
Isolation Voltage	1250V rms
Bus Power Supply Current, Max.	1.5 A
Field Power Supply Current, Max.	10 A

**D**  
 Subbase & Manual  
 Valves  
 H Series  
 Micro  
 Moduteflex  
 Series  
 H Series  
 ISO  
 Fieldbus  
 Systems  
 DX ISOMAX  
 Series  
 Valvair II  
 Series

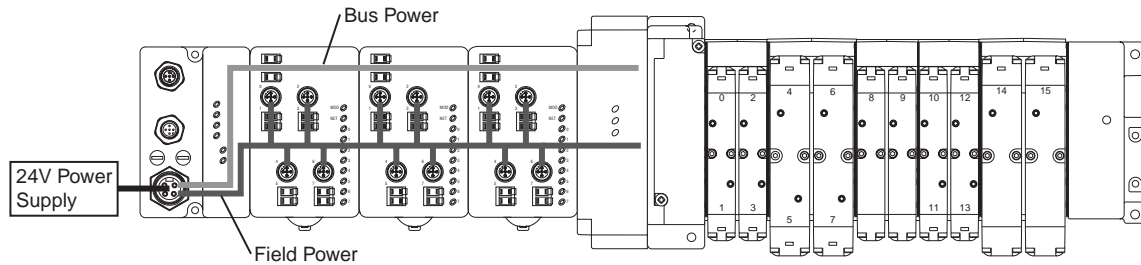


For inventory, lead times, and kit lookup, visit [www.pdnplu.com](http://www.pdnplu.com)

**Power Distribution Options for H Series ISO**

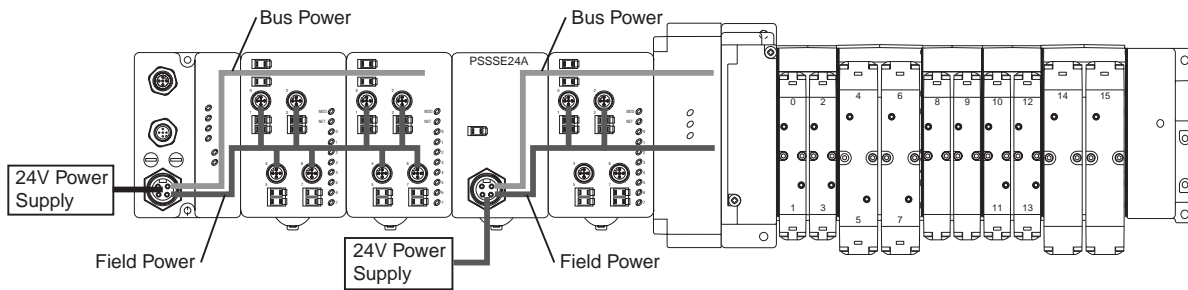
**H Series Fieldbus Communication and I/O Modules**

An auxiliary 24VDC power supply from the communication module provides power to the backplane bus power and I/O module field power. You can connect up to 13 I/O modules with a maximum of 10 A field power, using the auxiliary power.



**H Series Fieldbus System with 24VDC Expansion Power Unit (PSSSE24A)**

The auxiliary power from the communication module supports up to 13 I/O modules with a maximum of 10 A field power. The 24VDC Power Extender Module (PSSSE24A) extends the backplane bus power and I/O Module field power to support up to 13 more I/O modules. Connect additional Power Extender Modules to expand the I/O assembly up to the maximum of 63 I/O modules. This secondary 24VDC connector on the PSSSE24A can be wired into an Emergency Stop circuit.



**D**

Subbase & Manual Valves

H Series Micro

Moduflex Series

H Series ISO

Fieldbus Systems

DX ISOMAX Series

Valvair II Series

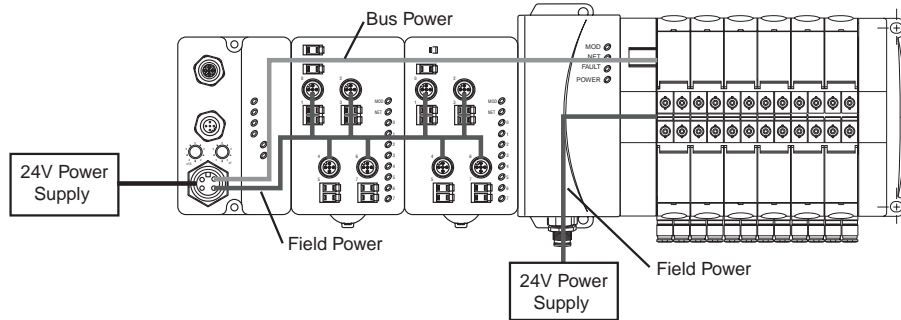


For inventory, lead time, and kit lookup, visit [www.pdnplu.com](http://www.pdnplu.com)

**Additional Power Distribution Options for H Series Micro**

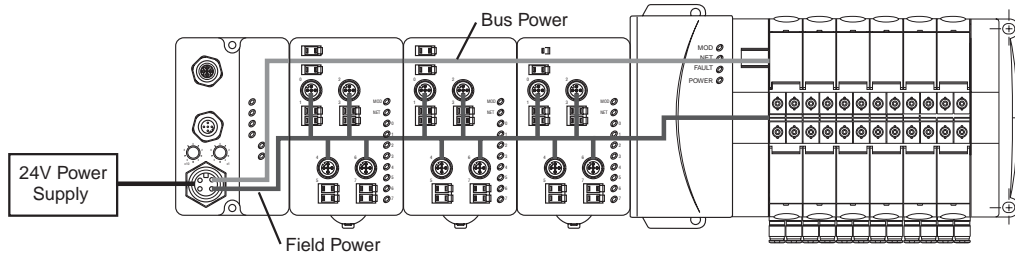
**H Series Fieldbus Communication Module and Valve Driver Module with 24VDC Connector**

The 24VDC power supply from the Communication Adaptor provides power to the backplane bus power and I/O module field power for up to 13 modules and an adapter with a maximum of 10 A Field Power. In this configuration, backplane bus power and I/O module field power are supplied to the input and output modules. The communication module only supplies backplane bus power to the Valve Driver Module, as the H Series Micro with 24VDC Connector separates the field power from the rest of the network. This secondary 24VDC Connector on the Valve Driver Module supplies Field Power to the valves, and can be wired into an Emergency Stop Circuit.



**H Series Fieldbus Communication and I/O Modules**

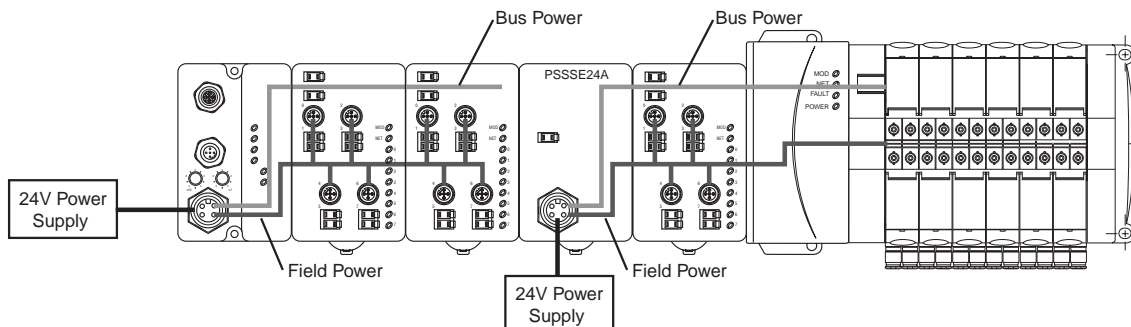
The 24VDC power supply from the communication module provides power to the backplane bus power and I/O module field power. You can connect up to 13 modules and an adapter with a maximum of 10 A field power, using this power source.



**H Series Fieldbus Communication and I/O Modules**

The 24VDC power supply from the communication module provides power to the backplane bus power and I/O module field power. You can connect up to 13 modules and an adapter with a maximum of 10 A field power, using this power source.

The 24VDC Power Extender Module (PSSSE24A) extends the backplane bus power and I/O module field power to support up to 13 more modules. Connect additional Power Extender Modules to expand the assembly up to the maximum of 63 I/O modules. The Valve Driver Module is the last module on the system, and will draw bus power and field power from the PSSSE24A to the left of it. This secondary 24VDC connector on the PSSSE24A can be wired into an Emergency Stop circuit.



D	Subbase & Manual
Valves	H Series Micro
Modulflex Series	H Series ISO
Fieldbus Systems	DX ISOMAX Series
Valvair II Series	

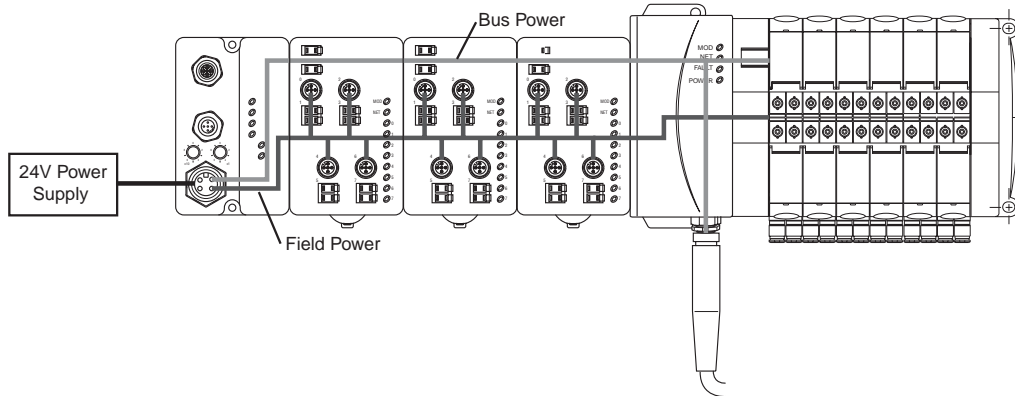


For inventory, lead times, and kit lookup, visit [www.pdnplu.com](http://www.pdnplu.com)

**Power Distribution Options for H Series Micro (Continued)**

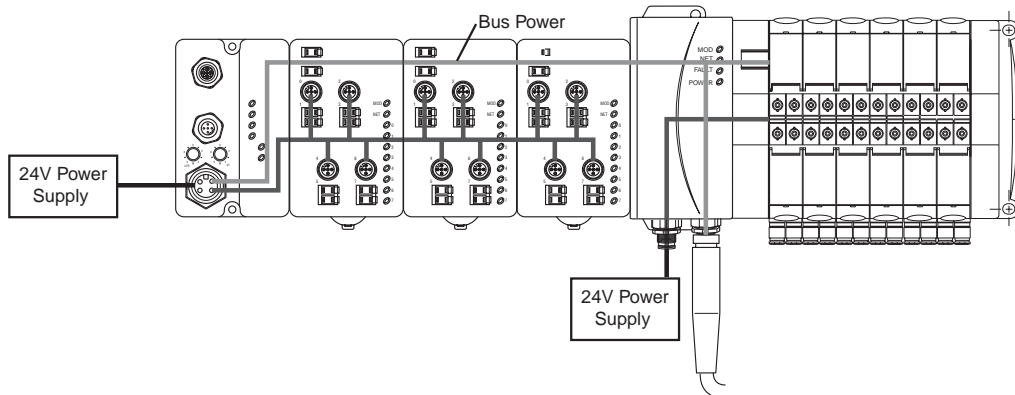
**H Series Fieldbus Communication Module with Bus Extension Connector and I/O Modules**

The 24VDC power supply from the communication module provides power to the backplane bus power and I/O module field power. You can connect up to 13 modules and an adapter with a maximum of 10 A field power, using this power source. The H Series Micro with Bus Extension Connector carries backplane bus power and communication down to another H Series Fieldbus Assembly through the PSSVEXT1 cable. If additional H Series Fieldbus Input and Output Modules or H Series ISO valve manifold is used on this extension, a PSSSE24A Power Extender Module is required to provide Field Power. If the extension is attached directly to an H Series Micro Manifold, Field Power can be supplied directly by using the 24VDC Connector option.



**H Series Fieldbus Communication Module with 24VDC and Bus Extension Connectors and I/O Modules**

The 24VDC power supply from the communication module provides power to the backplane bus power and I/O module field power. In this configuration, bus power and field power are supplied to the input and output modules. The communication module only supplies bus power to the Valve Driver Module, as the 24VDC Connector separates the Field Power from the rest of the network. This secondary 24VDC connector on the Valve Driver Module supplies field power to the valves, and can be wired into an Emergency Stop Circuit. The Bus Extension Connector carries bus power and communication down to another H Series Fieldbus Assembly through the PSSVEXT1 cable. If additional H Series Fieldbus input and output modules or H Series ISO valve manifold is used on this extension, a PSSSE24A Power Extender Module is required to provide field power. If the extension is attached directly to an H Series Micro Manifold with 24VDC Connector, field power can be supplied directly by using the 24VDC Connector option.



**D**

Subbase & Manual Valves

H Series Micro

Moduflex Series

H Series ISO

Fieldbus Systems

DX ISOMAX Series

Valvair II Series



For inventory, lead time, and kit lookup, visit [www.pdnplu.com](http://www.pdnplu.com)

D161

**Parker Hannifin Corporation**  
 Pneumatic Division  
 Richland, Michigan  
[www.parker.com/pneumatics](http://www.parker.com/pneumatics)

**Placing H Series Fieldbus Modules**

**Maximum Size Layout**

Part number	Bus power supply	Maximum I/O modules with 24VDC backplane current at 75 mA each	Maximum I/O modules with expansion power supplies
PSSCDM12A on DeviceNet	1000	Up to 13	63
PSSCDM18PA on DeviceNet			
PSSCCNA on ControlNet			
PSSCENA on EtherNet/IP			
PSSCPBA on PROFIBUS			
PSSSE24A Expansion Power	Horizontal mounting: 1A @ 10...19.2V input; 1.3A @ 19.2...28.8V input  Vertical mounting: 1A @ 10...28.8V input		

**Power Supply Distance Rating**

Modules are placed to the right of the power supply. Each H Series Fieldbus module can be placed in any of the slots to the right of the power supply until the usable backplane current of that supply has been exhausted. A Communication Module provides 1 A current to the PointBus. The Power Extend Module, PSSSE24A, provides up to 1.3 A and I/O modules require from 75 mA (typical for the digital and analog I/O modules) up to 90 mA or more.

**Current Requirements**

Part number	PointBus current requirements
PSSN8xxx	75 mA
PSSP8xxx	
PSST8xxx	
PSSN16xxx	90 mA
PSST16xxx	
PSSTR4MRA	
PSSNACM12A	75 mA
PSSTACM12A	
PSSNAVM12A	
PSSTAVM12A	
PSSV32A	
PSSVM32A	

**D**

Subbase & Manual Valves

H Series Micro

Modulflex Series

H Series ISO

Fieldbus Systems

DX ISOMAX Series

Valvair II Series



For inventory, lead times, and kit lookup, visit [www.pdnplu.com](http://www.pdnplu.com)

**Related Documentation**

Additional user documentation presents information according to the tasks you perform and the programming environment you use. Refer to the table below for information on H Series Fieldbus products.

**H Series Fieldbus Related Publications\***

	Part number	Description	Instruction sheet*
General Information	—	Industrial Automation Wiring and Grounding Guidelines	E115P
	—	Safety Guidelines for the Application, Installation and Maintenance of Solid State Control	E116P
Communication Interfaces	<b>PSSCDM12A</b>	H Series Fieldbus DeviceNet Adapter Module, Drop or Pass-through, with male and female M12 connectors	E101P, Installation Instructions PSS-UM001, User Manual
	<b>PSSCDM18PA</b>	H Series Fieldbus DeviceNet Adapter Module, Drop or Pass-through, with male and female M18 connectors	
	<b>PSSCCNA</b>	H Series Fieldbus Redundant ControlNet Adapter Module	E103P, Installation Instructions
	<b>PSSCENA</b>	H Series Fieldbus Ethernet/IP 10/100 Mbps Adapter Module	E104P, Installation Instructions
	<b>PSSCPBA</b>	H Series Fieldbus PROFIBUS Adapter Module	E102P, Installation Instructions
Valve Driver Module	<b>PSSV32A, PSSVM32A</b>	32 Point Valve Driver Module	E100P
DC I/O	<b>PSSN16M12A</b>	24VDC 16 Sink Input w/8 M12 connectors, 2 points per connector	
	<b>PSSN8M8A</b>	24VDC 8 Sink Input w/8 M8 connectors	
	<b>PSSN8M12A</b>	24VDC 8 Sink Input w/4 M12 connectors, 2 points per connector	E106P
	<b>PSSN8M23A</b>	24VDC 8 Sink Input w/1 M23 connector	
	<b>PSSP8M12A</b>	24VDC 8 Source Input w/4 M12 connectors, 2 points per connector	
	<b>PSST16M23A</b>	24VDC 16 Source Output w/1 M23	
	<b>PSST16D25A</b>	24VDC 16 Source Output w/1 25-Pin, D-Sub	
	<b>PSST16M12A</b>	24VDC 16 Source Output w/8 M12	E107P
	<b>PSST8M8A</b>	24VDC 8 Source Output w/1 M23	
	<b>PSST8M12A</b>	24VDC 8 Source Output w/4 M12	
Analog	<b>PSSNACM12A</b>	24VDC Analog Current Input w/ 2 M12 connectors	E110P
	<b>PSSNAVM12A</b>	24VDC 2 Analog Voltage Input w/ 2 M12 connectors	
	<b>PSSTACM12A</b>	24VDC Analog Current Output w/ 2 M12 connectors	E111P
	<b>PSSTAVM12A</b>	24VDC Analog Voltage Output w/ 2 M12 connectors	
Power Unit	<b>PSSSE24A</b>	24VDC Expansion Power Supply	E105P
Relay Output	<b>PSSSTR4M12A</b>	4 from A isolated (normally open) electromechanical relays	E109P

\* Publications are electronic versions only. To make copies of these publications, go to: [www.pdnplu.com](http://www.pdnplu.com)

**D**

Subbase & Manual Valves

H Series Micro

Modulflex Series

H Series ISO

Fieldbus Systems

DX ISOMAX Series

Valvair II Series



For inventory, lead time, and kit lookup, visit [www.pdnplu.com](http://www.pdnplu.com)

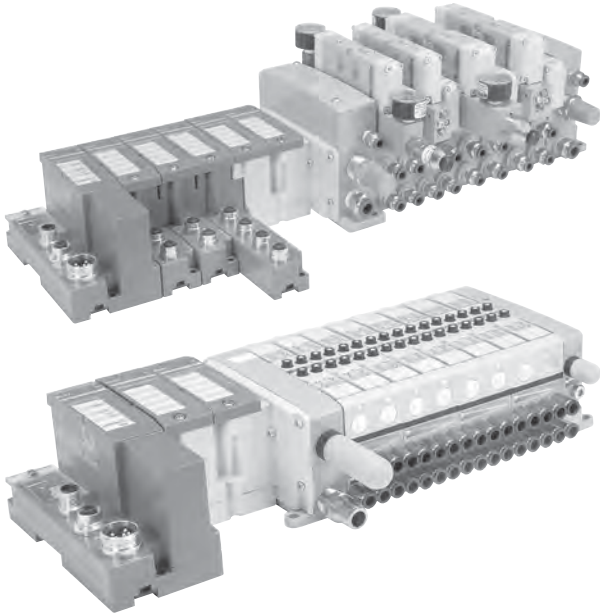


## Features

### The Turck Fieldbus System

H Series Fieldbus has four major components:

- **Valve driver module** provide control for either 16 or 32 solenoids on a manifold
- **I/O modules** provide the field interface and system-interface circuitry
- **Communication modules** provide the network-interface circuitry
- **Power distribution module** provide 5 additional power inputs to the Turck system



## Subbase & Manifold Valve Products Turck Fieldbus System

### Turck Features

- Highly modular design (4pt – 16pt modularity)
- Broad application coverage
- Channel-level diagnostics (LED and electronic)
- Channel-level alarm and annunciation (electronic)
- Channel-level open-wire detection with electronic feedback
- Channel-level short-circuit detection with electronic feedback
- Horizontal and vertical mounting without derating
- 5g vibration
- Electronic and mechanical keying
- Robust backplane design
- Quick-disconnects for I/O and network connectivity
- Built-in panel grounding
- Color-coded module labels
- UL, C-UL, and CE certifications (as marked)
- Highly reliable structural integrity
- Optical isolation between field and system circuits

D

Subbase & Manual  
ValvesH Series  
MicroModulflex  
SeriesH Series  
ISOFieldbus  
SystemsDX ISOMAX  
SeriesValvair II  
Series

For inventory, lead times, and kit lookup, visit [www.pdnplu.com](http://www.pdnplu.com)

D164

**Parker Hannifin Corporation**  
Pneumatic Division  
Richland, Michigan  
[www.parker.com/pneumatics](http://www.parker.com/pneumatics)

**Turck Fieldbus System**

- A complete fieldbus communication offering for all H Series ISO and H Series Micro valves.
- CSA, C-US and CE certifications (as marked).

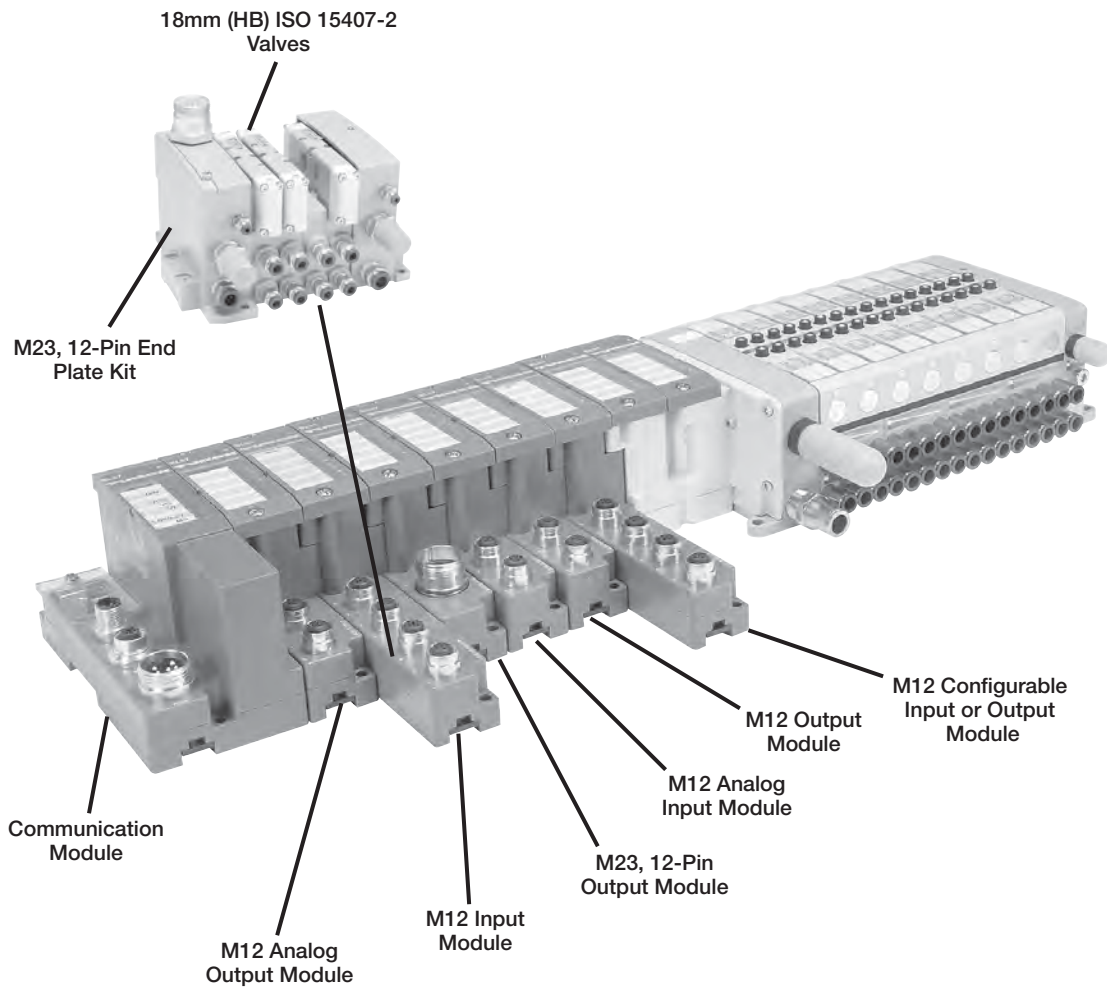
**I/O Configuration**

- Centralized Turck Fieldbus system.
- Pneumatics and I/O are in close proximity with one another.
- M23, 12-Pin or 19-Pin output extension to an additional H Series valve island.
- I/O density per module = 4, 8 or 16.



Modbus/TCP™

CANopen



**Configure / Program any module with RS232, or directly through Ethernet for any module with an Ethernet physical layer.**



**D**

Subbase & Manual Valves

H Series Micro

Moduflex Series

H Series ISO

Fieldbus Systems

DX ISOMAX Series

Valvair II Series



For inventory, lead time, and kit lookup, visit [www.pdnplu.com](http://www.pdnplu.com)

D165

**Parker Hannifin Corporation**  
 Pneumatic Division  
 Richland, Michigan  
[www.parker.com/pneumatics](http://www.parker.com/pneumatics)

**Turk Fieldbus System**

- A complete fieldbus communication offering for all H Series ISO and H Series Micro valves.
- CSA, C-US and CE certifications (as marked).

**I/O Configuration**

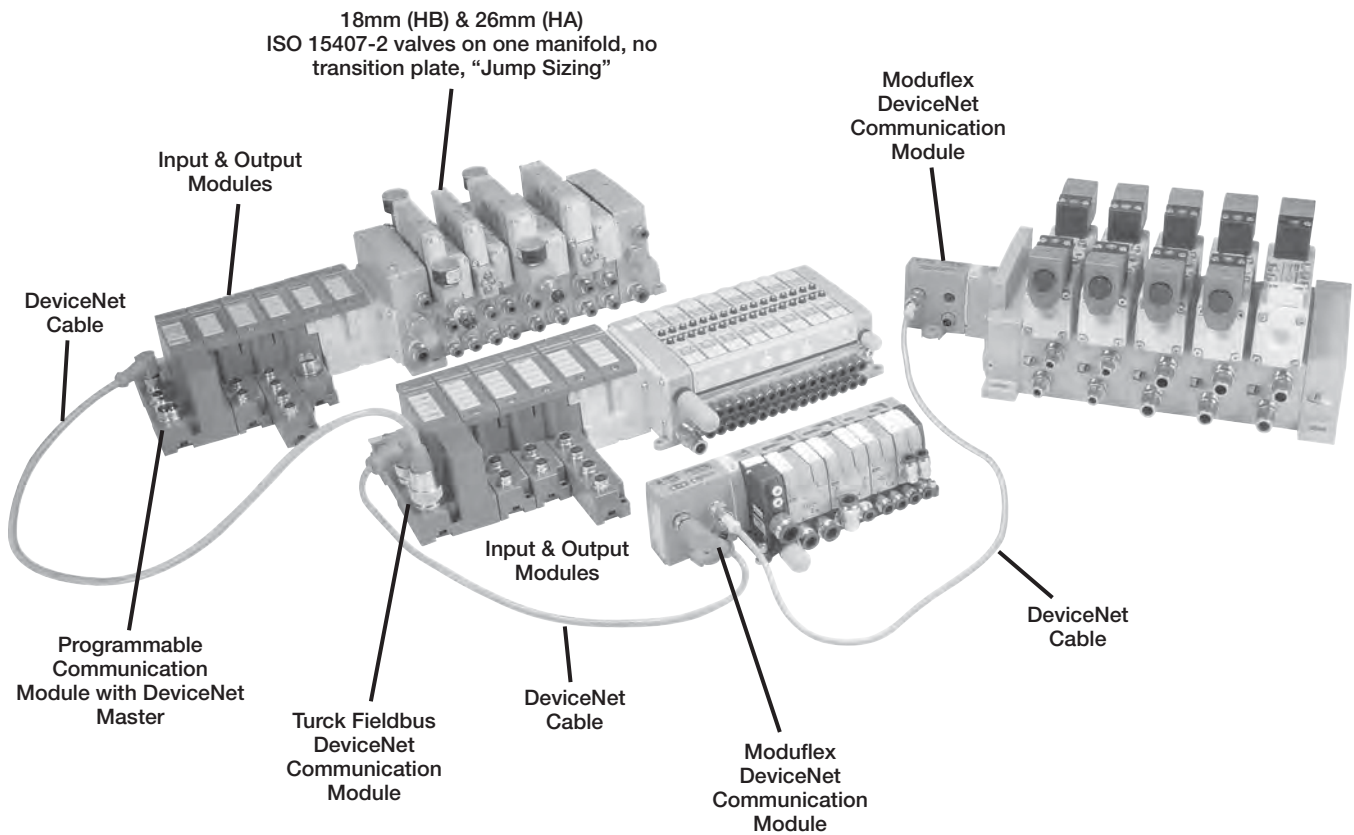
- Complete control of all I/O and valves with stand alone control.
- Additional I/O and valves connected over DeviceNet with BL Remote Subnet.
- BL Remote connection to Moduflex and Turk fieldbus DeviceNet equipped communication modules.
- I/O density per module = 4, 8 or 16.



Modbus/TCP™

CANopen

D	Subbase & Manual Valves
	H Series Micro
Moduflex Series	
H Series ISO	
Fieldbus Systems	
DX ISOMAX Series	
Valvair II Series	

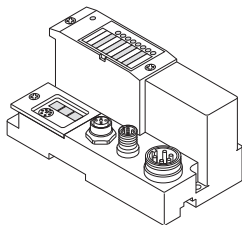


For inventory, lead times, and kit lookup, visit [www.pdnplu.com](http://www.pdnplu.com)

D166

**Parker Hannifin Corporation**  
 Pneumatic Division  
 Richland, Michigan  
[www.parker.com/pneumatics](http://www.parker.com/pneumatics)

**Communications Module**

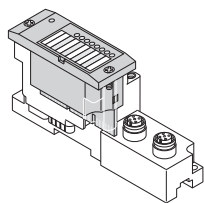


BL67 communication modules are the heart of a BL67 station. They are designed to connect the modular fieldbus nodes to the higher level fieldbus (PROFIBUS-DP, DeviceNet™, CANopen, Ethernet).

All BL67 electronic modules communicate over the internal module bus with the communication modules. The communication module structures the data and sends them clustered via fieldbus nodes to the higher control system.

This way all I/O modules can be configured independently of the fieldbus system.

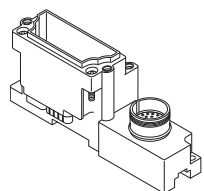
**Electronic Module**



BL67 electronic modules are inserted into the passive base modules from above and then simply affixed with two screws. Maintenance is extremely simplified due to the separation of connection level and module electronics.

Moreover, flexibility is enhanced because the base modules provide different types of connectors. Voltage supply for the electronic modules is either provided via the communication modules or a Power Extender module. Power Extender modules can be used to create galvanically isolated potential groups.

**Base Module**



BL67 base modules are aligned one by one to the right of the communication module and are tightened each with two screws, either with the communication modules or with the previous module. A DIN rail is not required. This way a compact and stable unit is created which can be mounted directly on the machine.

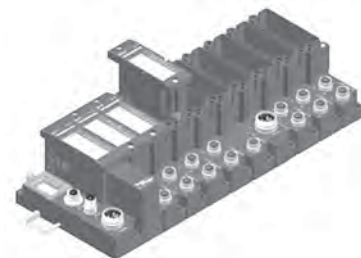
The base modules serve for connection of the field devices and are available with different connection types (M8, M12, M23 and 7/8).

A BL67 system can be extended to a total length of 1 m, comprising of a communication module for PROFIBUS-DP, DeviceNet™/ CANopen or Ethernet and a maximum of 32 modules.

System supply: The power supply for the BL67 system is either derived separately for Profibus-DP and Ethernet communication modules or directly from the DeviceNet™ / CANopen cable for the DeviceNet™ / CANopen communication module.

Power Extender modules can be inserted anywhere in the BL67 station. They provide isolated field voltage for the I/O modules mounted to their right.

Thus Power Extender modules can also be used to create different potential groups.



**Maximum System Extension**

Module type	PROFIBUS DP		DeviceNet		CANopen		ModbusTCP		EtherNet/IP		PROFIBUS NET		
	Number of chan.	Number of mod.	Number of chan.	Number of mod.	Number of chan.	Number of mod.	Number of chan.	Number of mod.	Number of chan.	Number of mod.	Number of chan.	Number of mod.	
Digital inputs	4 DI	128	32	128	32	128	32	128	32	128	32	128	32
	8 DI	256	32	256	32	256	32	256	32	256	32	256	32
Digital outputs	4 DO	128	32	128	32	128	32	128	32	128	32	128	32
	8 DO	256	32	256	32	256	32	256	32	256	32	256	32
	16 DO	512	32	512	32	512	32	512	32	512	32	512	32
Analog inputs	2AI	64	32	64	32	64	32	64	32	64	32	64	32
	4AI	112	28	124	31	124	31	128	32	128	32	128	32
	2 AI-PT	56	28	64	32	64	32	64	32	64	32	64	32
	2 AI-TC	64	32	64	32	64	32	64	32	64	32	64	32
Analog outputs	2 AO-I	38	19	64	32	64	32	64	32	64	32	64	32
	2 AO-V	38	19	50	25	50	25	50	25	50	25	50	25



For inventory, lead time, and kit lookup, visit [www.pdnplu.com](http://www.pdnplu.com)

**D**

Subbase & Manual Valves

H Series Micro

Modulflex Series

H Series ISO

Fieldbus Systems

DX ISOMAX Series

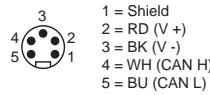
Valvair II Series

**BL67-GW-DN**

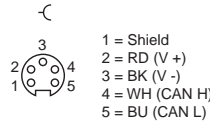
DeviceNet Communication  
 Module with Power over  
 the Network



7/8 Mini bus in wiring,  
 view into male connector



7/8 Mini bus out wiring,  
 view into female connector

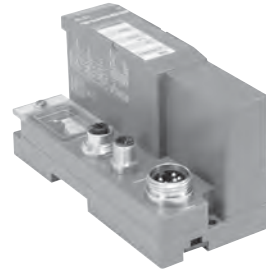


Turck Fieldbus System with up to 256 inputs, outputs, and 32 solenoids per H Series Micro or H Series ISO manifold. Digital inputs / outputs, analog inputs / outputs, serial interface, and counter modules are available. DeviceNet communication speeds selectable between 120, 250, 500 kbps, and CANopen communication speeds are selectable between 10 kbps up to 1 Mbps. Addressing for either module can be selected via rotary switches or set through software.

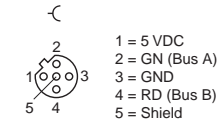
With the Power over the Network feature, it is only necessary to connect one cable to the communication module. For networks requiring additional power, a Bus Power Tee can be installed to combine separate network and power feeds into the communication module. See the Cables and Cordsets section for additional information.

**BL67-GW-DPV1**

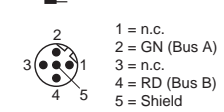
Profibus Communication  
 Module



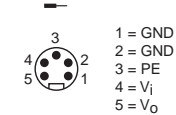
M12 B-code bus out Wiring,  
 view into female connector



M12 B-code bus In Wiring,  
 view into male connector



7/8 Mini Power in wiring,  
 view into male connector



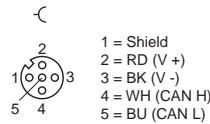
Turck Fieldbus System with up to 256 inputs, outputs, and 32 solenoids per H Series Micro or H Series ISO manifold. Digital inputs / outputs, analog inputs / outputs, serial interface, and counter modules are available. Profibus communication speeds are selectable between 9.6 kbps up to 12 Mbps, and addressing can be selected via rotary switches or set through software.

**BL67-GW-CO**

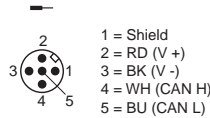
CANopen Communication  
 Module



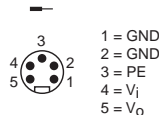
M12 A-code bus out Wiring,  
 view into female connector



M12 A-code bus In Wiring,  
 view into male connector



7/8 Mini Power in wiring,  
 view into male connector



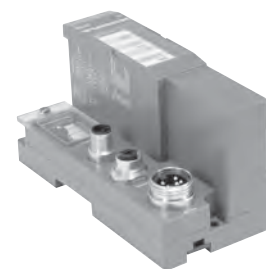
Turck Fieldbus System with up to 256 inputs, outputs, and 32 solenoids per H Series Micro or H Series ISO manifold. Digital inputs / outputs, analog inputs / outputs, serial interface, and counter modules are available. CANopen communication speeds are selectable between 10 kbps up to 1 Mbps, and addressing can be selected via rotary switches or set through software.

**BL67-GW-EN**

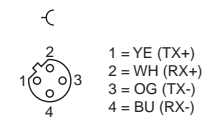
ModbusTCP, EtherNet / IP, and ProfiNet

**BL67-GW-EN-PN**

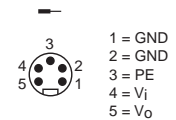
Profinet Communication Module



M12 D-code  
 Ethernet in Wiring,  
 view into female connector



7/8 Mini Power in wiring,  
 view into male connector



Turck Fieldbus System with up to 256 inputs, outputs, and 32 solenoids per H Series Micro or H Series ISO manifold. Digital inputs / outputs, analog inputs / outputs, serial interface, and counter modules are available. Communication speeds of 10/100 Mbps, and addressing can be selected via rotary switches, BOOTP, DHCP, or through software.

**D**  
 Subbase & Manual  
 Valves  
 H Series  
 Micro  
 Modulflex  
 Series  
 H Series  
 ISO  
 Fieldbus  
 Systems  
 DXISOMAX  
 Series  
 Valvair II  
 Series



For inventory, lead times, and kit lookup, visit [www.pdnplu.com](http://www.pdnplu.com)



**BL67-GW-EN-DN**

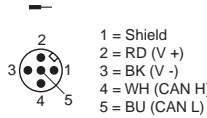
Modbus / TCP Communication  
 Module with DeviceNet Subnet

**BL67-GW-EN-IP-DN**

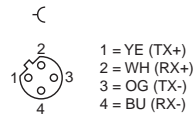
Ethernet / IP Communication  
 Module with DeviceNet Subnet



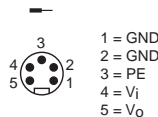
**DeviceNet OUT**



**M12 D-code  
 Ethernet in Wiring,  
 view into female connector**



**7/8 Mini Power in wiring,  
 view into male connector**



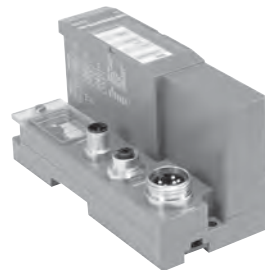
With BL Remote DeviceNet Subnet functionality, each communication module has its own DeviceNet master which provides a connection for 63 DeviceNet nodes with additional inputs, outputs, and solenoid control. BL Remote DeviceNet Subnet is independent of the main fieldbus network, and is not visible to the master PLC.

**BL67-PG-EN-DN**

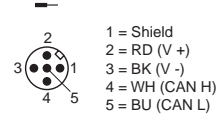
Modbus / TCP Programmable  
 Communication Module with  
 DeviceNet Subnet

**BL67-PG-EN-IP-DN**

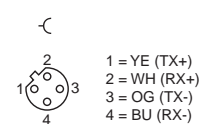
Ethernet / IP Programmable  
 Communication Module with  
 DeviceNet Subnet



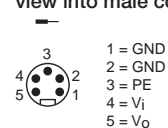
**DeviceNet OUT**



**M12 D-code  
 Ethernet in Wiring,  
 view into female connector**



**7/8 Mini Power in wiring,  
 view into male connector**



Communication modules are equipped with a built in standalone controller which is programmed according to IEC61131-3 with CoDeSys. Each module has 512KB Program memory with 32 bit RISC processor, and can run 1000 instructions in less than 1 ms. These fieldbus equipped modules are optimized to interface with PLC's with fieldbus capability or act as standalone controllers that need to interface with other fieldbus equipped devices.

With BL Remote DeviceNet Subnet functionality, each communication module has its own DeviceNet master which provides a connection for 63 DeviceNet nodes with additional inputs, outputs, and solenoid control. BL Remote DeviceNet Subnet is independent of the main fieldbus network, and is not visible to the master PLC.

**BL67-PG-DP**

Profibus Programmable Communication Module

**BL67-PG-EN**

Modbus / TCP Programmable Communication Module

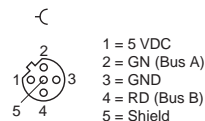
**BL67-PG-EN-IP**

Ethernet / IP Programmable Communication Module

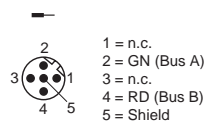


**Profibus Wiring**

**M12 B-code bus out Wiring,  
 view into female connector**

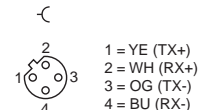


**M12 B-code bus in Wiring,  
 view into female connector**

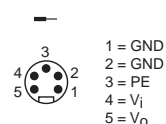


**Ethernet Wiring**

**M12 D-code  
 Ethernet in Wiring,  
 view into female connector**



**7/8 Mini Power in wiring,  
 view into male connector  
 Common to modules**



Communication modules are equipped with a built in standalone controller which is programmed according to IEC61131-3 with CoDeSys. Each module has 512KB Program memory with 32 bit RISC processor, and can run 1000 instructions in less than 1 ms. These fieldbus equipped modules are optimized to interface with PLC's with fieldbus capability or act as standalone controllers that need to interface with other fieldbus equipped devices.



For inventory, lead time, and kit lookup, visit [www.pdnplu.com](http://www.pdnplu.com)



**D**  
 Subbase & Manual Valves  
 H Series Micro  
 Modulflex Series  
 H Series ISO  
 Fieldbus Systems  
 DX ISOMAX Series  
 Valvair II Series

Base Modules													
	BL67-B-4M8	BL67-B-8M8	BL67-B-1M12	BL67-B-1M12-8	BL67-B-2M12	BL67-B-2M12-P	BL67-B-4M12	BL67-B-4M12-P	BL67-B-1M23	BL67-B-1M23-19	BL67-B-1RSM	BL67-B-1RSM-4	BL67-1RSM-VO
<b>Power Extender Modules</b>													
BL67-PF-24VDC											✓	✓	✓
<b>Digital Input Modules</b>													
BL67-4DI-P	✓				✓	✓	✓		✓				
BL67-8DI-P		✓					✓	✓	✓				
BL67-4DI-PD	✓				✓	✓	✓		✓				
BL67-8DI-PD		✓					✓	✓	✓				
BL67-4DI-N	✓				✓	✓	✓		✓				
BL67-8DI-N		✓					✓	✓	✓				
<b>Digital Output Modules</b>													
BL67-4DO-0.5A-P	✓				✓	✓	✓		✓				
BL67-4DO-2A-P	✓				✓	✓	✓		✓				
BL67-8DO-0.5A-P		✓					✓	✓	✓				
BL67-16DO-0.1A-P										✓			
BL67-4DO-2A-N	✓				✓	✓	✓		✓				
BL67-8DO-0.5A-N		✓					✓	✓	✓				
<b>Relay Output Modules</b>													
BL67-8DO-R-NO								✓					
<b>Digital Input / Output Modules</b>													
BL67-4DI4DO-PD		✓					✓	✓	✓				
<b>Configurable Digital Input / Output Modules</b>													
BL67-8XSG-PD		✓					✓	✓	✓				
<b>Analog Input Modules</b>													
BL67-2AI-I					✓								
BL67-2AI-V					✓								
BL67-4AI-V/I							✓						
BL67-2AI-PT					✓								
BL67-2AI-TC					✓								
<b>Analog Output Modules</b>													
BL67-2AO-I					✓								
BL67-2AO-V					✓								
<b>Technology Modules</b>													
BL67-1RS232			✓	✓					✓				
BL67-1RS485/422			✓	✓					✓				
BL67-1SSI				✓					✓				
BL67-1CNT/ENC				✓					✓				
BL67-1CVI			✓										
<b>BL Ident® RFID Modules</b>													
BL67-2RFID-A					✓								
BL67-2RFID-S					✓								



For inventory, lead times, and kit lookup, visit [www.pdnplu.com](http://www.pdnplu.com)

D170

**Parker Hannifin Corporation**  
 Pneumatic Division  
 Richland, Michigan  
[www.parker.com/pneumatics](http://www.parker.com/pneumatics)

### System Supply via the Module Bus

The number of BL67 modules that can be powered by the communication module, depends on the nominal current draw of all the modules in the system. The total bus power current consumption of the installed BL67 modules may not exceed 1.5 A. The total field power current for inputs may not exceed 4 A, and the total field power for outputs may not exceed 8 A for DeviceNet and CANopen with power over the network, or 10A for all other communication modules.

When using the software PACTware, the menu item <Station - Verify> will automatically generate an error message if the system supply via the module bus is not reliably ensured.

### Nominal Current Consumption

The following table shows the nominal current consumption of the various BL67 modules:


Modules	Bus Power Current (mA)	Field Power for Inputs <sup>1)</sup> (mA)	Field Power for Outputs (mA)
PROFIBUS-DP Communication Module	0		150
DeviceNet™ Communication Module	0		150
CANopen Communication Module	0		150
Ethernet Communication Module	0		150
Valve Driver with 16 Outputs	30		< 109 mA (Plus Load Current)
Valve Driver with 32 Outputs	60		< 218 mA (Plus Load Current)
BL67-PF-24VDC	30		9
BL67-4DI-P	30	< 49 mA	
BL67-4DI-N	30	< 10 mA	
BL67-4DI-PD	30	< 109 mA	
BL67-8DI-P	30	< 49 mA	
BL67-8DI-N	30	< 10 mA	
BL67-8-DI-PD	30	< 109 mA	
BL67-4DO-0.5A-P	30		< 109 mA (Plus Load Current)
BL67-4DO-2A-P	30		< 109 mA (Plus Load Current)
BL67-4DO-2A-N	30		< 109 mA (Plus Load Current)
BL67-8DO-0.5A-P	30		< 109 mA (Plus Load Current)
BL67-8DO-0.5A-N	30		< 109 mA (Plus Load Current)
BL67-16DO-0.1A-P	30		< 109 mA (Plus Load Current)
BL67-4DI4DO-PD	30		< 109 mA (Plus Load Current)
BL67-8XSG-PD	30		< 109 mA (Plus Load Current)
BL67-8DO-R-NO	30		< 109 mA (Plus Load Current)
BL67-2AI-V	35	< 22 mA	
BL67-2AI-I	35	< 22 mA	
BL67-4AI-I/V	35	< 22 mA	
BL67-2AI-TC	35	< 40 mA	
BL67-2AI-PT	45	< 58 mA	
BL67-2AO-I	40		< 62 mA
BL67-2AO-V	60		< 67 mA
BL67-1RS232	140	< 90 mA	
BL67-1RS485/422	60	< 42 mA	
BL67-1SSI	50	< 39 mA	
BL67-1CNT/ENC	30	< 109 mA	
BL67-1CVI	30	< 109 mA	





1) Is limited to 4 A by means of the integrated short-circuit protection.








For inventory, lead time, and kit lookup, visit [www.pdnplu.com](http://www.pdnplu.com)

Digital Input Modules


I/O modules	Voltage	Part number
 8 PNP input module	7 to 30 VDC	<b>BL67-8DI-P</b>
8 PNP input module, with diagnostics	7 to 30 VDC	<b>BL67-8DI-PD</b>
8 NPN input module	24 VDC	<b>BL67-8DI-N</b>





Base module	Part number
 8 x M8, 3 pole, female	<b>BL67-B-8M8</b>
 4 x M12, 5 pole, female, A-code	<b>BL67-B-4M12</b>
 4 x M12, 5 pole, female, A-code	<b>BL67-B-4M12-P</b>
 1 x M23, 12 pole, female	<b>BL67-B-1M23</b>

I/O modules	Voltage	Part number
4 PNP input module	7 to 30 VDC	<b>BL67-4DI-P</b>
4 PNP input module, with diagnostics	7 to 30 VDC	<b>BL67-4DI-PD</b>
4 NPN input module	24 VDC	<b>BL67-4DI-N</b>






Base module	Part number
 4 x M8, 3 pole, female	<b>BL67-B-4M8</b>
 2 x M12, 5 pole, female, A-code	<b>BL67-B-2M12</b>
 2 x M12, 5 pole, female, A-code	<b>BL67-B-2M12-P</b>
 4 x M12, 5 pole, female, A-code	<b>BL67-B-4M12</b>
 1 x M23, 12 pole, female	<b>BL67-B-1M23</b>

Digital Output Modules

I/O modules	Output current	Part number
 8 PNP output module	0.5 amps per channel	<b>BL67-8DO-0.5A-P</b>
8 NPN output module	0.5 amps per channel	<b>BL67-8DO-0.5A-N</b>

Base module	Part number
 8 x M8, 3 pole, female	<b>BL67-B-8M8</b>
 4 x M12, 5 pole, female, A-code	<b>BL67-B-4M12</b>
 4 x M12, 5 pole, female, A-code	<b>BL67-B-4M12-P</b>
 1 x M23, 12 pole, female	<b>BL67-B-1M23</b>

I/O modules	Output Current	Part number
4 PNP output module	0.5 amps per channel	<b>BL67-4DO-0.5A-P</b>
4 PNP output module	2 amps per channel	<b>BL67-4DO-2A-P</b>
4 PNP output module	4 amps per channel	<b>BL67-4DO-4A-P</b>
4 NPN output module	2 amps per channel	<b>BL67-4DO-2A-N</b>

Base module	Part number
 4 x M8, 3 pole, female	<b>BL67-B-4M8</b>
 2 x M12, 5 pole, female, A-code	<b>BL67-B-2M12</b>
 2 x M12, 5 pole, female, A-code	<b>BL67-B-2M12-P</b>
 4 x M12, 5 pole, female, A-code	<b>BL67-B-4M12</b>
 1 x M23, 12 pole, female	<b>BL67-B-1M23</b>

 Most popular.




For inventory, lead times, and kit lookup, visit [www.pdnplu.com](http://www.pdnplu.com)

**D**  
 Subbase & Manual Valves  
 H Series Micro  
 Modutefx Series  
 H Series ISO  
 Fieldbus Systems  
 DX ISOMAX Series  
 Valvair II Series


### Digital Output Modules

I/O modules	Output current	Part number
16 PNP output module	0.14 amps per channel	<b>BL67-16DO-0.1A-P</b>

Base module	Part number
 1 x M23, 19 pole, female	<b>BL67-B-1M23-19</b>


### Relay Output Modules

I/O modules	Output current	Part number
8 normally open relays	0.14 amps per channel	<b>BL67-8DO-R-NO</b>


Base module	Part number
 4 x M12, 5 pole, female, A-code	<b>BL67-B-4M12-P</b>

### Analog Input Modules

I/O modules	Input type	Part number
4 configurable current or voltage analog input module	4 to 20 mA or 0 to 20 mA -10 to +10 VDC or 0 to +10 VDC	<b>BL67-4AI-V/I</b>

Base module	Part number
 4 x M12, 5 pole, female, A-code	<b>BL67-B-4M12</b>


I/O modules	Input type	Part number
2 Current analog input module	4 to 20 mA or 0 to 20 mA	<b>BL67-2AI-I</b>
2 Voltage analog input module	-10 to +10 VDC or 0 to +10 VDC	<b>BL67-2AI-V</b>
2 Temperature analog input module	PT100, PT200, PT500, PT1000, Ni100, Ni1000	<b>BL67-2AI-PT</b>
2 Temperature analog input module	Type B, E, J, K, N, R, S, T	<b>BL67-2AI-TC</b>


Base module	Part number
 2 x M12, 5 pole, female, A-code	<b>BL67-B-2M12</b>


 Most popular.

### Combination Input / Output Modules

I/O modules	Input voltage & output current	Part number
4 PNP output 4 PNP input module, with diagnostics	7 to 30 VDC 0.5 Amps	<b>BL67-4DI4DO-PD</b>
8 PNP configurable input or output module, with diagnostics	7 to 30 VDC 0.5 Amps	<b>BL67-8XSG-PD</b>


Base module	Part number
 8 x M8, 3 pole, female	<b>BL67-B-8M8</b>

Base module	Part number
 4 x M12, 5 pole, female, A-code	<b>BL67-B-4M12</b>


Base module	Part number
 4 x M12, 5 pole, female, A-code	<b>BL67-B-4M12P</b>

### Analog Output Modules

I/O modules	Input type	Part number
4 Voltage analog output module	-10 to +10 VDC or 0 to +10 VDC	<b>BL67-4AO-V</b>

Base module	Part number
 4 x M12, 5 pole, female, A-code	<b>BL67-B-4M12</b>

I/O modules	Input type	Part number
2 Current analog output module	4 to 20 mA or 0 to 20 mA	<b>BL67-2AO-I</b>
2 Voltage analog output module	-10 to +10 VDC or 0 to +10 VDC	<b>BL67-2AO-V</b>



Base module	Part number
 2 x M12, 5 pole, female, A-code	<b>BL67-B-2M12</b>



For inventory, lead time, and kit lookup, visit [www.pdnplu.com](http://www.pdnplu.com)


### Combination Analog Input / Output Modules

I/O modules	Output current	Part number
4 configurable input and 4 configurable output current or voltage analog module	4 to 20 mA or 0 to 20 mA -10 to +10 VDC or 0 to +10 VDC	<b>BL67-4AI4AO-V/I</b>

Base module	Part number
 8 x M8, 3 pole, female	<b>BL67-B-8M8</b>
 4 x M12, 5 pole, female, A-code	<b>BL67-B-4M12</b>


### CANopen Subnet Module

Extender module	Capacity	Part number
1 CANopen connection	64 bits of inputs or outputs	<b>BL67-1CVI</b>

Base module	Part number
 1 x M12, 5 pole, female, A-code	<b>BL67-B-1M12</b>




### IO-Link Module

Extender module	Part number
4 Master Channels	<b>BL67-4IOL</b>

Base module	Part number
 4 x M12, 5 pole, female, A-code	<b>BL67-B-4M12</b>


### Power Extender Module

Extender module	Current capacity	Part number
24 VDC field power module	10 amps input	<b>BL67-PF-24VDC</b>

Base module	Part number
 5 Pole mini connector to supply bus power and field power	<b>BL67-B-1RSM</b>
 5 Pole mini connector to field power only	<b>BL67-B-1RSM-VO</b>
 4 Pole mini connector to supply bus power and field power	<b>BL67-B-1RSM-4</b>




 Most popular.

I/O modules	Output current	Part number
2 configurable input and 2 configurable output current or voltage analog module	4 to 20 mA or 0 to 20 mA -10 to +10 VDC or 0 to +10 VDC	<b>BL67-2AI2AO-V/I</b>

Base module	Part number
 8 x M8, 3 pole, female	<b>BL67-B-8M8</b>



### Serial Interface Module

Extender module	Capacity	Part number
1 RS232 serial interface	300 to 115200 bps	<b>BL67-1RS232</b>
1 RS485 or 422 serial interface	300 to 115200 bps	<b>BL67-1RS485/422</b>

Base module	Part number
 1 x M12, 5 pole, female, A-code	<b>BL67-B-1M12</b>
 1 x M12, 8 pole, female, A-code	<b>BL67-B-1M12-8</b>
 1 x M23, 12 pole, female	<b>BL67-B-1M23</b>

### SSI and Counting Modules

Extender module	Capacity	Part number
1 SSI sensor interface	65 kbps up to 1 Mbps	<b>BL67-1SSI</b>
1 counter interface	Up to 250 kHz	<b>BL67-1CNT/ENC</b>

Base module	Part number
 1 x M12, 8 pole, female, A-code	<b>BL67-B-1M12-8</b>
 1 x M23, 12 pole, female	<b>BL67-B-1M23</b>

D

Subbase & Manual  
Valves

H Series  
Micro

Modulflex  
Series

H Series  
ISO

Fieldbus  
Systems

DX ISOMAX  
Series

Valvair II  
Series



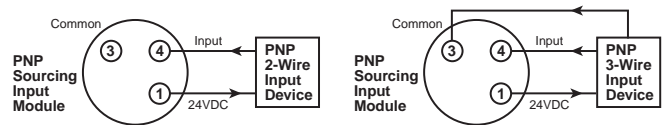
For inventory, lead times, and kit lookup, visit [www.pdnplu.com](http://www.pdnplu.com)

**Digital PNP Input Modules**

DC Input Module	BL67-4DI-P	BL67-8DI-P	BL67-4DI-PD	BL67-8DI-PD
Number of inputs	4	8	4	8
Sensor requirement	PNP Sourcing		PNP Sourcing	
Voltage, on-state input, nom.	24 VDC		24 VDC	
Field power for inputs current consumption	49 mA		109 mA	
Bus power current consumption	30 mA		30 mA	
Low level signal voltage	<4.5 V		<4.5 V	
High level signal voltage	7...30V		7...30V	
Low level signal current	<1.5 mA		<1.5 mA	
High level signal current	2.1...3.7 mA		2.1...3.7 mA	
Type of diagnostics	Group Diagnostics		Channel Diagnostics	
Short circuit protection	Group Protection		Channel Protection	
Input delay	0.25 ms		0.25; 2.5 ms	

**PNP (Sourcing)**

PNP input modules provide sourcing capabilities. When the input field device is passing, current flows from the input device into the Turck input module.

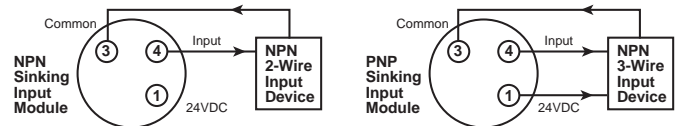


**Digital NPN Input Modules**

Digital DC Input Module	BL67-4DI-N	BL67-8DI-N
Number of inputs	4	8
Sensor requirement	NPN Sinking	NPN Sinking
Voltage, on-state input, nom.	24 VDC	24 VDC
Field power for inputs current consumption	10 mA	10 mA
Bus power current consumption	30 mA	30 mA
Low level signal voltage	>7 V	>7 V
High level signal voltage	<5 V	<5 V
Low level signal current	<2.5 mA	<1.2 mA
High level signal current	>3 mA	>1.5 mA
Type of diagnostics	Group Diagnostics	Group Diagnostics
Short circuit protection	Group Protection	Group Protection
Input delay	0.25 ms	0.25 ms

**NPN (Sinking)**

NPN input modules provide sinking capabilities. When the input field device is passing, current out of the Turck input module into the field input device.



For inventory, lead time, and kit lookup, visit [www.pdnplu.com](http://www.pdnplu.com)

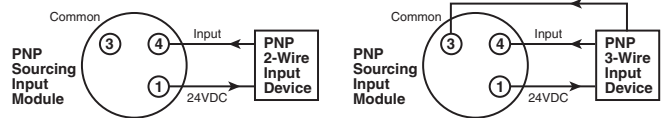


**Digital PNP Output Modules**

Digital DC Output Module	BL67-4DO-0.5A-P	BL67-8DO-0.5A-P	BL67-4DO-2A-P	BL67-16DO-0.1A-P
Number of outputs	4	8	4	16
Sensor requirement	PNP Sourcing	PNP Sourcing	PNP Sourcing	PNP Sourcing
Output voltage	24 VDC	24 VDC	24 VDC	24 VDC
Field power for outputs current consumption	109 mA (Plus load current)	109 mA (Plus load current)	109 mA (Plus load current)	109 mA (Plus load current)
Bus power current consumption	30 mA	30 mA	30 mA	30 mA
Output current per channel	0.5 A	0.5 A	2.0A	0.1 A
Output delay	3 ms	3 ms	3 ms	3 ms
Load type	Resistive, Inductive, Lamp Load	Resistive, Inductive, Lamp Load	Resistive, Inductive, Lamp Load	Resistive, Inductive
Load resistance, resistive	>48 Ohm	>48 Ohm	>12 Ohm	>250 Ohm
Load resistance, inductive	<1.2 H	<1.2 H	<1.2 H	<1.2 H
Lamp load	< 3W	< 3W	< 10W	< 10W
Switching frequency, resistive	<200 Hz	<200 Hz	<200 Hz	<200 Hz
Switching frequency, inductive	< 2 Hz	< 2 Hz	< 2 Hz	< 2 Hz
Switching frequency, lamp load	< 20 Hz	< 20 Hz	< 20 Hz	< 20 Hz
Short-circuit protection	Group Protection	Group Protection	Group Protection	Group Protection
Diagnostic bits	4	8	4	16

**PNP (Sourcing)**

PNP input modules provide sourcing capabilities. When the input field device is passing, current flows from the input device into the Turck input module.

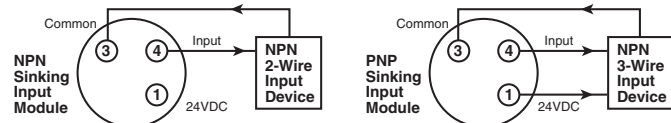


**Digital NPN Output Modules**

Digital DC Output Module	BL67-8DO-0.5A-N	BL67-4DO-2A-N
Number of outputs	8	4
Sensor requirement	NPN Sinking	NPN Sinking
Output voltage	24 VDC	24 VDC
Field power for outputs current consumption	109 mA (Plus load current)	109 mA (Plus load current)
Bus power current consumption	30 mA	30 mA
Output current per channel	0.5 A	2.0 A
Output delay	3 ms	3 ms
Load type	Resistive, Inductive, Lamp Load	Resistive, Inductive, Lamp Load
Load resistance, resistive	>48 Ohm	>48 Ohm
Load resistance, inductive	<1.2 H	<1.2 H
Lamp load	< 3W	< 3W
Switching frequency, resistive	<200 Hz	<200 Hz
Switching frequency, inductive	< 2 Hz	< 2 Hz
Switching frequency, lamp load	< 20 Hz	< 20 Hz
Short-circuit protection	Group Protection	Group Protection
Diagnostic bits	4	8

**NPN (Sinking)**

NPN input modules provide sinking capabilities. When the input field device is passing, current out of the Turck input module into the field input device.



**D**  
 Subbase & Manual Valves  
 H Series Micro  
 Modutefx Series  
 H Series ISO  
 Fieldbus Systems  
 DX ISOMAX Series  
 Valvair II Series



For inventory, lead times, and kit lookup, visit [www.pdnplu.com](http://www.pdnplu.com)

**Relay Output Modules**

Relay Output Module	BL67-8DO-R-NO
Number of outputs	8
Output type	Relay
Output voltage	24 VDC
Field power for outputs current consumption	109 mA (Plus load current)
Bus power current consumption	30 mA
Output current per channel	100 mA
Output delay	3 ms
Load type	Resistive, TTL logic
Switching resistor	<31 Ohm
Switching frequency, resistive	<200 Hz
Short-circuit protection	None

**Combination Digital Modules**

Combination Input and Output Modules	BL67-4DI4DO-PD	BL-67-8XSG-PD
Number of outputs	4	Configurable 0 to 8
Number of inputs	4	Configurable 0 to 8
Total channels	8	8
Sensor requirement	PNP Sourcing	PNP Sourcing
Voltage, on-state input, nom.	24 VDC	24 VDC
Output voltage	24 VDC	24 VDC
Field power for outputs current consumption	109 mA	109 mA
Bus power current consumption	30 mA	30 mA
Input low level signal voltage	<4.5 V	<4.5 V
Input high level signal voltage	7...30V	7...30V
Input low level signal current	<1.5 mA	<1.5 mA
Input high level signal current	2.1...3.7 mA	2.1...3.7 mA
Input delay	0.25; 2.5 ms	0.25; 2.5 ms
Output current per channel	0.5 A	0.5 A
Output delay	3 ms	3 ms
Load type	Resistive, Inductive, Lamp Load	Resistive, Inductive, Lamp Load
Load resistance, resistive	>48 Ohm	>48 Ohm
Load resistance, inductive	<1.2 H	<1.2 H
Lamp load	< 3W	< 3W
Switching frequency, resistive	<200 Hz	<200 Hz
Switching frequency, inductive	< 2 Hz	< 2 Hz
Switching frequency, lamp load	< 20 Hz	< 20 Hz
Short-circuit protection	Channel Protection	Channel Protection
Diagnostic bits	8	12

**D**

Subbase & Manual Valves

H Series Micro

Moduflex Series

H Series ISO

Fieldbus Systems

DX ISOMAX Series

Valvair II Series



For inventory, lead time, and kit lookup, visit [www.pdnplu.com](http://www.pdnplu.com)

D177

**Parker Hannifin Corporation**  
 Pneumatic Division  
 Richland, Michigan  
[www.parker.com/pneumatics](http://www.parker.com/pneumatics)

**Analog Input Modules**

Analog Input Module	BL67-2AI-I	BL67-2AI-V	BL67-4AI-V/I
Number of inputs	2	2	4
Nominal voltage	24 VDC	24 VDC	24 VDC
Field power for inputs current consumption	22 mA	22 mA	22 mA
Bus power current consumption	35 mA	35 mA	35 mA
Analog input type	0/4...20mA	-10/0...+10 VDC	0/4...20mA or -10/0...+10 VDC
Input resistance	<0.125 kOhm	<98.5 kOhm	<0.125 kOhm or <98.5 kOhm
Maximum limiting frequency	50 Hz		20 Hz
Fault limit @ 23 degree C	<0.2%		<0.3%
Repeatability	0.05%	0.05%	0.05%
Temperature coefficient (ppm/degree c of full scale)	<300	<150	<300
Resolution	16 Bit	16 Bit	16 Bit
Measuring principle	Sigma Delta	Sigma Delta	Sigma Delta
Measured value display	16 bit signed integer, 12 bit full range left justified	16 bit signed integer, 12 bit full range left justified	16 Bit signed integer, 12 bit full range left justified
Diagnostic bits	16		32

**Temperature Inputs**

Analog Input Module	BL67-2AI-PT	BL67-2AI-TC
Number of inputs	2	2
Nominal voltage	24 VDC	24 VDC
Field power for inputs current consumption	58 mA	40 mA
Bus power current consumption	45 mA	35 mA
Temperature input type	PT100, PT200, PT500, PT1000, Ni100, Ni1000	B, E, J, K, N, R, S, T
Voltage resolution	n/a	+/- 50mV; <2uV
Fault limit @ 23 degree C	<0.2%	<0.2%
Repeatability	0.05%	0.05%
Temperature coefficient (ppm/degree c of full scale)	<300	<300
Resolution	16 Bit	16 Bit
Measured value display	16 bit signed integer, 12 bit full range left justified	16 bit signed integer, 12 bit full range left justified
Diagnostic bits	16	16

**D**  
**Subbase & Manual Valves**  
**H Series Micro**  
**Modulflex Series**  
**H Series ISO**  
**Fieldbus Systems**  
**DX ISOMAX Series**  
**Valvair II Series**



For inventory, lead times, and kit lookup, visit [www.pdnplu.com](http://www.pdnplu.com)

D178

**Parker Hannifin Corporation**  
Pneumatic Division  
Richland, Michigan  
[www.parker.com/pneumatics](http://www.parker.com/pneumatics)

**Analog Input Modules**

Analog Input Module	BL67-2AO-I	BL67-2AO-V
Number of inputs	2	2
Nominal voltage	24 VDC	24 VDC
Field power for outputs current consumption	62 mA	67 mA
Bus power current consumption	40 mA	60 mA
Analog output type	0/4...20mA	-10/0...+10 VDC
Output current per channel	n/a	250 mA
Load resistance, resistive	<0.45 kOhm	> 1kOhm
Load resistance, inductive	<1 mH	n/a
Load resistance, capacitive	n/a	> 1 uF
Transmission frequency	<200 Hz	<100 Hz
Fault limit @ 23 degree C	<0.2%	<0.2%
Repeatability	0.05%	0.05%
Temperature coefficient (ppm/degree c of full scale)	<150	<300
Resolution	16 bit	16 bit
Measured value display	16 bit signed integer, 12 bit full range left justified	16 bit signed integer, 12 bit full range left justified

**Combination Analog Modules**

Analog Combination Module	BL67-4AI4AO-V/I	BL67-2AI2AO-V/I
Number of analog inputs	4	2
Number of analog outputs	4	2
Nominal voltage	24 VDC	24 VDC
Field power for outputs current consumption	67 mA	67 mA
Bus power current consumption	60 mA	60 mA
Analog input type	0/4...20mA or -10/0...+10 VDC	0/4...20mA or -10/0...+10 VDC
Input resistance	0.065 or 225 kOhm	0.065 or 225 kOhm
Maximum limiting frequency	20 Hz	20 Hz
Fault limit @ 23 degree c	<0.3%	<0.3%
Repeatability	0.05%	0.05%
Temperature coefficient (ppm/degree c of full scale)	<300	<300
Resolution	16 bit	16 bit
Measuring principle	Sigma Delta	Sigma Delta
Measured value display	16 bit signed integer, 12 bit full range left justified	16 bit signed integer, 12 bit full range left justified
Analog output type	-10/0...+10 VDC	-10/0...+10 VDC
Output current per channel	250 mA	250 mA
Load resistance, resistive	>1 kOhm	>1 kOhm
Load resistance, capacitive	<1 uF	<1 uF
Transmission frequency	<100 Hz	<100 Hz
Fault limit @ 23 degree C	<0.3%	<0.3%
Repeatability	0.05%	0.05%
Temperature coefficient (ppm/degree c of full scale)	<300	<300
Resolution	16 bit	16 bit
Measured value display	16 bit signed integer, 12 bit full range left justified	16 bit signed integer, 12 bit full range left justified
Diagnostic bits	8	4

**D**

Subbase & Manual  
Valves

H Series  
Micro

Moduflex  
Series

H Series  
ISO

Fieldbus  
Systems

DX ISOMAX  
Series

Valvair II  
Series



For inventory, lead time, and kit lookup, visit [www.pdnplu.com](http://www.pdnplu.com)

D179

**Parker Hannifin Corporation**  
 Pneumatic Division  
 Richland, Michigan  
[www.parker.com/pneumatics](http://www.parker.com/pneumatics)

**Power Extender Module**

Power Extender Module	BL67-PF-24VDC
Nominal voltage	24 VDC
Field power for outputs current consumption	9 mA
Bus power current consumption	30 mA
Supply for field power for inputs current	4.0 A
Supply for field power for outputs current	10 A
Diagnostic bits	3

**RS232 Interface**

RS232 Interface	BL67-1RS232
Number of channels	1
Field power for inputs current consumption	90 mA
Bus power current consumption	140 mA
Transmission level active (u rs1)	-15 to -3 VDC
Transmission level inactive (urso)	3 to 15 VDC
Common-mode range (ugl)	-7 to 12 VDC
Transmission signals	RxD, TxD, RTS, CTS
Data buffer received	128 Byte
Send data buffer	64 Byte
Connection type	Full Duplex
Transmission rate	300 to 115200 bps
Parameter	Transmission Rate, Diagnostics, Data Bits, Stop Bits, XON - Character, XOFF - Character, Parity, Flow Control
Cable length	15 m
Diagnostic bits	8

**RS485 / 422 Interface**

RS485/422 Interface	BL67-1RS485/422
Number of channels	1
Field power for inputs current consumption	42 mA
Bus power current consumption	60 mA
Transmission signals	RxD, TxD
Connection type	2 Wire Half Duplex or 4 Wire Full Duplex
Transmission rate	300 to 115200 bps
Parameter	RS485/422, Transmission Rate, Diagnostics, Data Bits, Stop Bits, XON - Character, XOFF - Character, Parity, Flow Control
Cable length	1000 m
Line impedence	120 Ohm
Bus termination	External
Diagnostic bits	8

**D**  
 Subbase & Manual Valves  
 H Series Micro  
 Modutefx Series  
 H Series ISO  
 Fieldbus Systems  
 DXISOMAX Series  
 Valvair II Series



For inventory, lead times, and kit lookup, visit [www.pdnplu.com](http://www.pdnplu.com)

D180

**Parker Hannifin Corporation**  
 Pneumatic Division  
 Richland, Michigan  
[www.parker.com/pneumatics](http://www.parker.com/pneumatics)

**SSI Sensor Interface**

SSI Sensor Interface	BL67-1SSI
Number of channels	1
Field power for inputs current consumption	39 mA
Bus power current consumption	50 mA
Transmission signals	CL, D
Connection type	4 Wire Full Duplex (Clock Output/Signal Input)
Transmission rate	62.5 kbps up to 1 Mbps
Parameter	Transmission Rate, Diagnostics, Data Format (Binary / GRAY coded), Data Fram Bits (1-32), Number of Invalid Bits (LSB: 0-15, MSB 0-7)
Cable length	30 m
Diagnostic bits	8

**Counting Module**

Counting Module	BL67-1CNT/ENC
Number of channels	1
Field power for inputs current consumption	109 mA
Bus power current consumption	30 mA
Input type	PNP
Output type	PNP
Output current per channel	0.5 A
Output delay	2 ms
Load type	Resistive
Frequency measurement	Up to 250 kHz
Speed measurement	Factor Configurable
Period duration measurement	2 usec
Upper count limit	0x80000000 up to 0xFFFFFFFF
Lower count limit	0x80000000 up to 0xFFFFFFFF
Short circuit protection	Channel Protection

**CANopen Expansion Module**

CANopen Expansion Module	BL67-1CVI
Number of channels	1
Field power for inputs current consumption	109 mA
Bus power current consumption	30 mA
Transmission signals	CAN High, CAN Low
Connection type	CANopen
Transmission speed	10 kbps up to 1 Mbps
Parameter	Transmission Rate, Diagnostics, Bus Termination, Range of I/O Data
Bus termination	Internal
Diagnostic bits	48
Max number of CANopen nodes	8
Max processing data per module	8 Byte
Max data per node	4 Byte



For inventory, lead time, and kit lookup, visit [www.pdnplu.com](http://www.pdnplu.com)

D181

**Parker Hannifin Corporation**  
 Pneumatic Division  
 Richland, Michigan  
[www.parker.com/pneumatics](http://www.parker.com/pneumatics)

**D**

Subbase & Manual Valves

H Series Micro

Moduflex Series

H Series ISO

Fieldbus Systems

DX ISOMAX Series

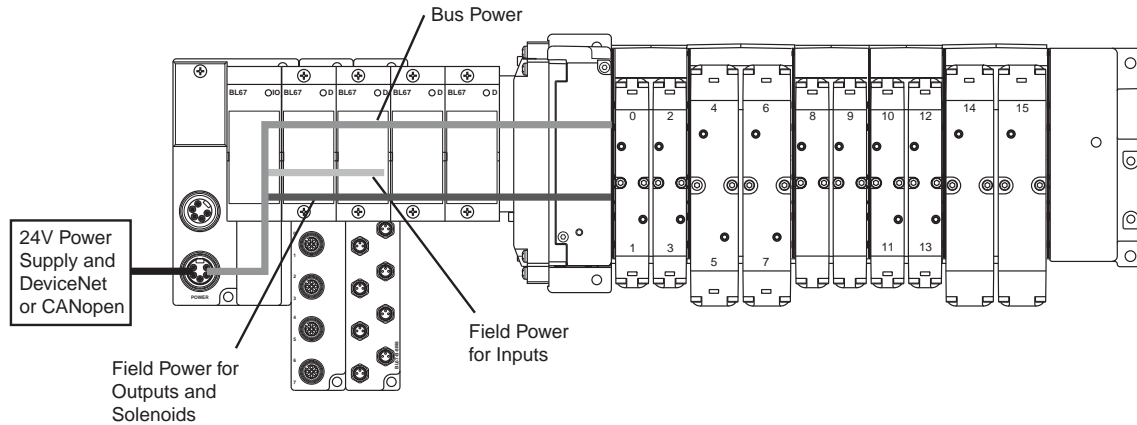
Valvair II Series



**Power Distribution Options for Turck Fieldbus**

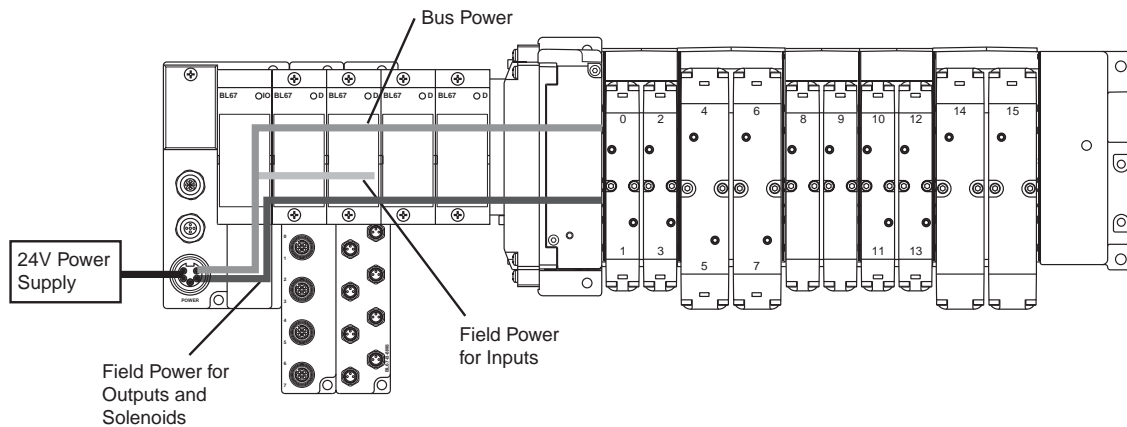
**Turck Communication and I/O Modules - DeviceNet and CANopen, Power over Network**

The 24VDC power supply pins from the DeviceNet or CANopen network connection on the communication module provides a single power circuit. This circuit provides 1.5 A bus power, 4 A field power for inputs and 8A field power for outputs.



**Turck Communication and I/O Modules - Ethernet/IP, Modbus/TCP, Profinet, Profibus, and CANopen**

An auxiliary 24VDC power supply from the communication module provides power across two separate circuits. The first circuit provides 1.5 A bus power and 4 A field power for inputs. The second circuit provides 10A field power for outputs which can be wired to an e-stop circuit to kill all outputs.



D	Subbase & Manual
Valves	H Series Micro
Series	Modulflex Series
H Series	ISO
Fieldbus Systems	DX ISOMAX Series
Valvair II Series	

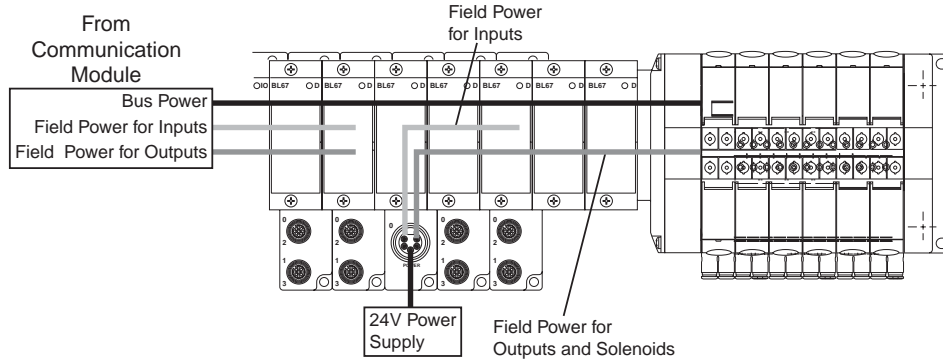


For inventory, lead times, and kit lookup, visit [www.pdnplu.com](http://www.pdnplu.com)

**Power Distribution Options for Turck Fieldbus (continued)**

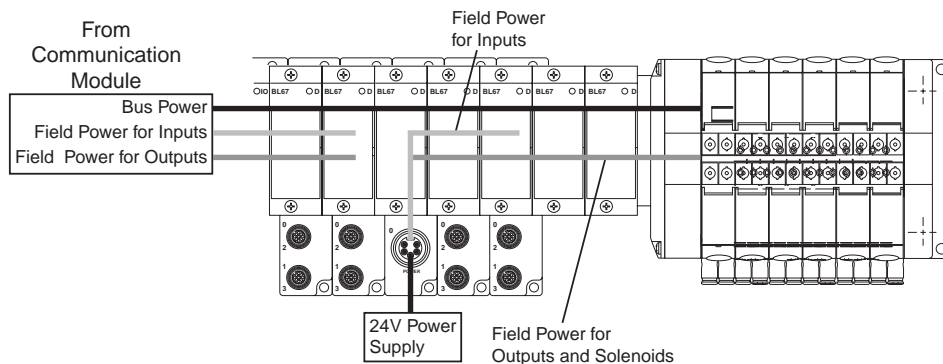
**24VDC Power Extender Module (BL67-PF-24VDC) with Base Module BL67-B-1RSM**

This configuration creates an auxiliary 24VDC power supply and provides power across two separate circuits, regardless of the communication module used. The first circuit provides 4 A field power for inputs. The second circuit provides 10A field power for outputs which can be wired to an e-stop circuit to kill all outputs and solenoids to the right of the module. The 1.5 A bus power is uninterrupted, and is still supplied from the communication module.



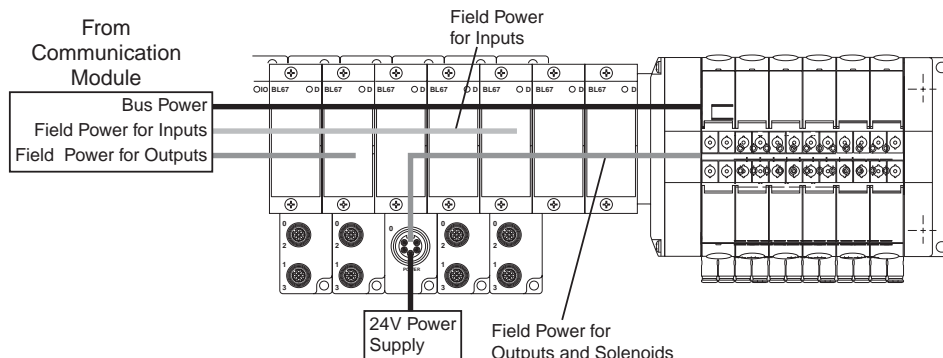
**24VDC Power Extender Module (BL67-PF-24VDC) with Base Module BL67-B-1RSM-4**

This configuration creates an auxiliary 24VDC power supply and provides power across one circuit, regardless of the communication module used. This circuit provides 4 A field power for inputs and 10A field power for outputs. The 1.5 A bus power is uninterrupted, and is still supplied from the communication module.



**24VDC Power Extender Module (BL67-PF-24VDC) with Base Module BL67-B-1RSM-VO**

This configuration creates an auxiliary 24VDC power supply and provides power across one circuit, regardless of the communication module used. This circuit provides 10A field power for outputs which can be wired to an e-stop circuit to kill all outputs and solenoids to the right of the module. The 1.5 A bus power and 4 A field power for inputs are uninterrupted, and are still supplied from the communication module.



For inventory, lead time, and kit lookup, visit [www.pdnplu.com](http://www.pdnplu.com)

D183

**Parker Hannifin Corporation**  
 Pneumatic Division  
 Richland, Michigan  
[www.parker.com/pneumatics](http://www.parker.com/pneumatics)

**D**

Subbase & Manual Valves

H Series Micro

Moduflex Series

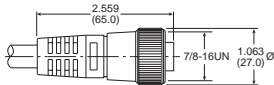
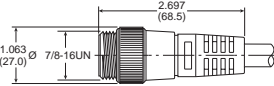
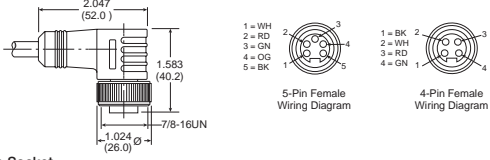
H Series ISO

Fieldbus Systems

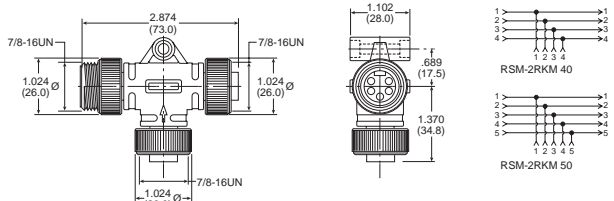
DX ISOMAX Series

Valvair II Series

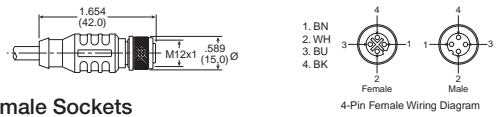
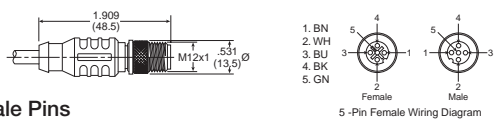
**7/8" Mini Power Cables**

	Description	Part number
 RKM Female Socket	4-pin female to flying lead cable, 5 meters, TPE	<b>RKM 46-5M/S1587</b>
	5-pin female to flying lead cable, 5 meters, TPE	<b>RKM 56-5M/S1587</b>
 RSM Male Pins	4-pin male to female cable, TPE	<b>RSM RKM 46-x/S1587</b>
	5-pin male to female cable, TPE	<b>RSM RKM 56-x/S1587</b>
 WKM Female Socket	4-pin right angle female to flying lead cable, 5 meters, TPE	<b>WKM 46-5M/S1587</b>
	5-pin right angle female to flying lead cable, TPE	<b>WKM 56-5M/S1587</b>
	Where x = 2, 4, 5, 6, 8, 10 meter standard lengths	

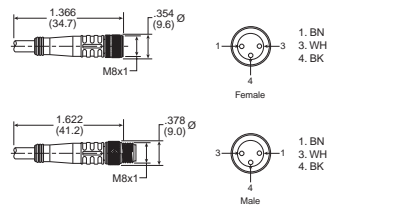
**Power Tee**

	Description	Part number
	4-pin Male to 2 female sockets	<b>RSM-2RKM 40</b>
	5-pin Male to 2 female sockets	<b>RSM-2RKM 50</b>

**M12 A-code Cables**

	Description	Part number
 RKC Female Sockets	4-pin female to flying lead cable, PVC	<b>RKC 4.4T-1</b>
	4-pin male to flying lead cable, PVC	<b>RSC 4.4T-*</b>
 RSC Male Pins	4-pin male to female cable, PVC	<b>RKC 4.4T-*/RSC 4.4T</b>
	5-pin female to flying lead cable, TPE	<b>RKC 4.5T-*/S1587</b>
	5-pin male to flying lead cable, TPE	<b>RSC 4.5T-4/S1587</b>
	5-pin male to female cable, TPE	<b>RKC 4.5T-*/RSC 4.5T/S1587</b>
	Where * = 1, 2, 3, 4 meter standard lengths	

**M8 Cables**

	Description	Part number
	3-pin female to flying lead cable, PUR	<b>PKG 3M-4/S90</b>
	3-pin male to flying lead cable, PUR	<b>PSG 3M-*/S90</b>
	3-pin male to female cable, PUR	<b>PKG 3M-*/PSG 3M/S90</b>
	Where * = 1, 2, 3, 4 meter standard lengths	

 Most popular.

**D**  
 Subbase & Manual Valves  
 H Series Micro  
 Moduteflex Series  
 H Series ISO  
 Fieldbus Systems  
 DX ISOMAX Series  
 Valvair II Series

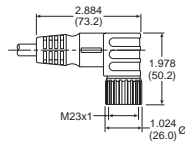
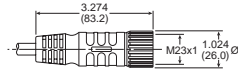


For inventory, lead times, and kit lookup, visit [www.pdnplu.com](http://www.pdnplu.com)

D184

**Parker Hannifin Corporation**  
 Pneumatic Division  
 Richland, Michigan  
[www.parker.com/pneumatics](http://www.parker.com/pneumatics)

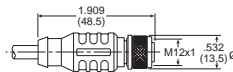
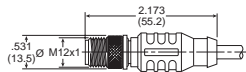
**M23 Cables**



Description	Part number
12-pin, double ended female thread with male pins and female socket, PUR. Pinout optimized for H Series Fieldbus.	<b>CSCM CKCM 12-11-x/S90</b>
19-pin, double ended female thread with male pins and female socket, PUR. Pinout optimized for H Series Fieldbus.	<b>CSM CKM 19-19-x/S90</b>
19-pin, 90° double ended female thread with male pins and female socket, PUR. Pinout optimized for turck fieldbus.	<b>CSWM CKWM 19-19-x/CS12852</b>

Where x = 1, 2, 3, 4 meter standard lengths

**Profibus Cables**



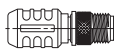
Description	Part number
M12 Male to M12 Female, PUR	<b>RSSW RКСW 455-xM</b>

Where x = 2, 4, 5, 6, 8, 10 meter standard lengths

RSSW Side, Male Pins

RКСW Side, Female Sockets

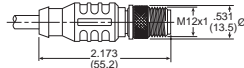
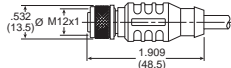
**Profibus Terminating Resistor**



Male Pins

Description	Part number
M12 male pin terminating resistor	<b>P8BPA00MB</b>

**Ethernet Cables**

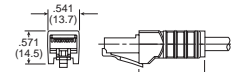


RKSD Side, Female Sockets

RSSD Side, Male Pins

Description	Part number
M12 female to M12 male, PUR	<b>RSSD RKSD 443-xM</b>
RJ45 to M12 male, PUR	<b>RSSD RJ45S 443-2M</b>

Where x = 2, 5, 10, 15, 20, 30 meter standard lengths



RJ45S Side

**25-pin, D-Sub Cable (Female)**

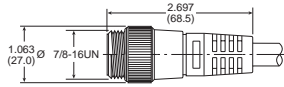
Description	Length	Part number
25-pin, D-sub cable, IP20	3 meters	<b>P8LMH25M3A</b>
25-pin, D-sub cable, IP20	9 meters	<b>SCD259D</b>
25-pin, D-sub cable, IP65	3 meters	<b>SCD253W</b>
25-pin, D-sub cable, IP65	9 meters	<b>SCD259WE</b>

Most popular.

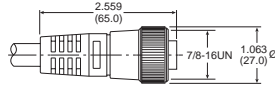


For inventory, lead time, and kit lookup, visit [www.pdnplu.com](http://www.pdnplu.com)

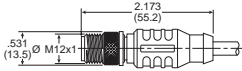
**DeviceNet and CANopen Cables**



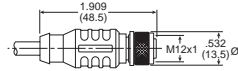
**RSM Side, 7/8 Mini with Male Pins**



**RKM Side, 7/8 Mini with Male Pins**



**RSC Side, Male Pins**

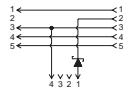
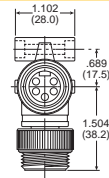
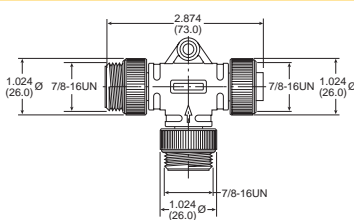


**RKC Side, Female Sockets**

Description	Part number
7/8" mini male to 7/8" mini female, PUR	<b>RSM RKM 5711-xM</b>
7/8" mini male to M12 female, PUR	<b>RSM RKC 5711-xM</b>
M12 male to M12 female, PUR	<b>RSC RKC 5711-xM</b>
M12 male to 7/8" mini female, PUR	<b>RSC RKM 5711-xM</b>

Where x = 2, 4, 5, 6, 8, 10 meter standard lengths

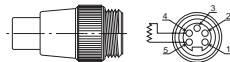
**Bus Power Tee**



Description	Part number
Bus power tee	<b>RSM RKM 57 WSM 40 PST</b>

For systems not equipped with Power over network, combines separate network and power feeds into the communication module. Includes reverse current protection

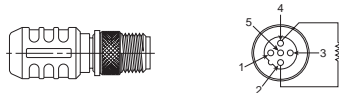
**DeviceNet and CANopen Terminating Resistor**



**RSM 57-TR2**

**Male Pins**

Description	Part number
7/8" Mini Male Pin Terminating Resistor	<b>RSM 57-TR2</b>
M12 Male Pin Terminating Resistor	<b>P8BPA00MA</b>



**P8BPA00MB**

**Male Pins**

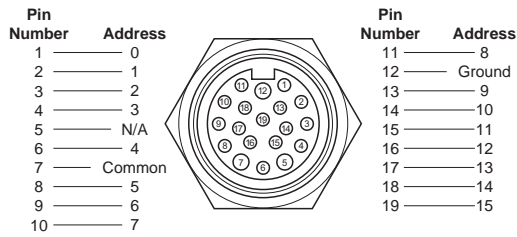
**D**  
 Subbase & Manual Valves  
 H Series Micro  
 Modutefx Series  
 H Series ISO  
 Fieldbus Systems  
 DX ISOMAX Series  
 Valvair II Series

Most popular.



For inventory, lead times, and kit lookup, visit [www.pdnplu.com](http://www.pdnplu.com)

**19-Pin Round Brad Harrison**



**Face View - Male 19-Pin Connector**

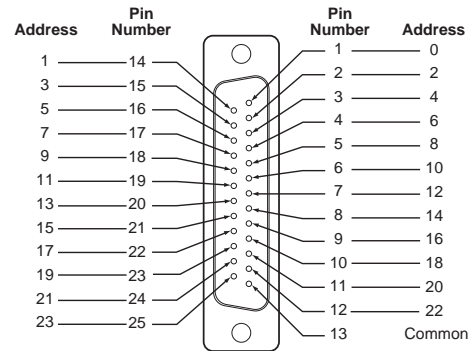
**19-Pin Round Cable Specifications**

Common Pin "7" is rated for 8 amps. Cable common wire must be greater than total amperage of solenoids on Add-A-Fold assembly.

*Example:* 8 station manifold, 16 solenoids,  
 120VAC - 16 x .039 amps = .63 total amp rating.

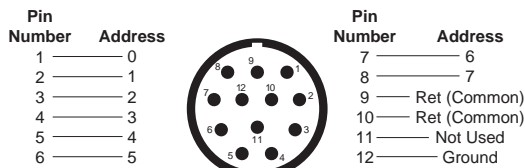
NEMA 4 rated with properly assembled NEMA 4 rated cable.

**25-Pin, D-Sub Connector (Male)**



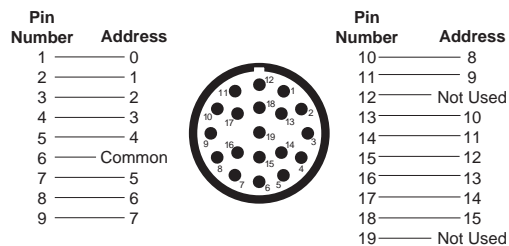
**View into End Plate Connector - Male D-Sub, 25-Pin**

**M23, 12-Pin Round Connector (Male)**



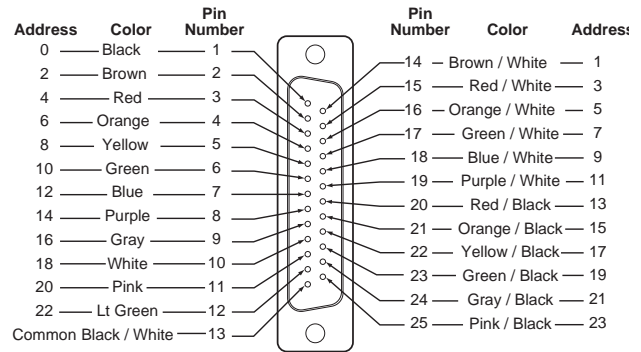
**Face View - Male 19-Pin Connector**

**M23, 19-Pin Round Connector (Male)**



**View into End Plate Connector - Male M23, 19-Pin**

**25-Pin, D-Sub Cable (Female)**



 Most popular.



For inventory, lead time, and kit lookup, visit [www.pdnplu.com](http://www.pdnplu.com)



		Modulflex					H Series Fieldbus				Turck Fieldbus					
		AS-i	CANopen	DeviceNet	Interbus	Profibus	ControlNet	DeviceNet	EtherNet	Profibus	CANopen	DeviceNet	Ethernet/IP	Modbus/TCP	Profibus	Profinet
Rockwell Automation	PLC-5™			X								X				
	SLC 500™			X								X	X			
	1756 Logix™			X								X	X			
	1769-L32C, -35CR			X			X	X	X			X	X			
	1769 CompactLogix™			X			X	X	X			X	X			
	SoftLogix5800™			X			X	X	X			X	X			
	FlexLogix™			X			X	X	X			X	X			
	1789 ControlLogix™			X			X	X	X			X	X			
Siemens	SIMATIC S7-200	X				X				X					X	
	SIMATIC S7-300	X				X				X					X	
	SIMATIC S7-400					X				X					X	X
	SIMATIC S7-1200					X				X					X	X
Omron	SYSMAC One			X								X				
	SYSMAC CJ1			X								X				
	SYSMAC CJ2			X								X				
	SYSMAC CP1			X								X				
	SYSMAC CS1			X								X				
	SYSMAC CQM1H			X								X				
	SYSMAC Alpha			X								X				
	SYSMAC CVM1/CV			X								X				
	SYSMAC CPM			X								X				
Schneider	Modicon Premium		X		X	X				X	X		X	X	X	
	Quantum	X			X							X	X			
	M340™	X	X							X		X	X			
	Momentum™											X	X			
Automation Direct	Productivity 3000			X								X				
	DirectLogic 05			X								X				
	DirectLogic 06			X								X				
	DirectLogic 105			X								X				
	DirectLogic 205			X								X	X	X		
	DirectLogic 305			X								X	X	X		
	DirectLogic 405			X								X	X	X		

Note: Confirm manufacturers specifications to ensure product compatibility.

**D**  
**Subbase & Manual Valves**  
**H Series Micro**  
**Modulflex Series**  
**H Series ISO**  
**Fieldbus Systems**  
**DX ISOMAX Series**  
**Valvair II Series**



For inventory, lead times, and kit lookup, visit [www.pdnplu.com](http://www.pdnplu.com)

D188

**Parker Hannifin Corporation**  
 Pneumatic Division  
 Richland, Michigan  
[www.parker.com/pneumatics](http://www.parker.com/pneumatics)

**Basic Systems**

- Up to 24 solenoids per manifold
- Discretely wired solenoids - Optimized for PLCs with onboard Inputs and Outputs
- 25-Pin D-Sub, 19-Pin Brad Harrison or M23, or 12-Pin M23 connectors available.

**Centralized Application**

**Valves Inside Control Cabinet**

- Valves located near machine control
- Applications with caustic wash down, hazardous areas, or extreme temperatures

**Advantages**

- Highest degree of environmental protection
- One location for all control devices
- Small size requires minimal cabinet space
- Eliminates junction boxes required for valves
- Eliminates conduit runs for valves

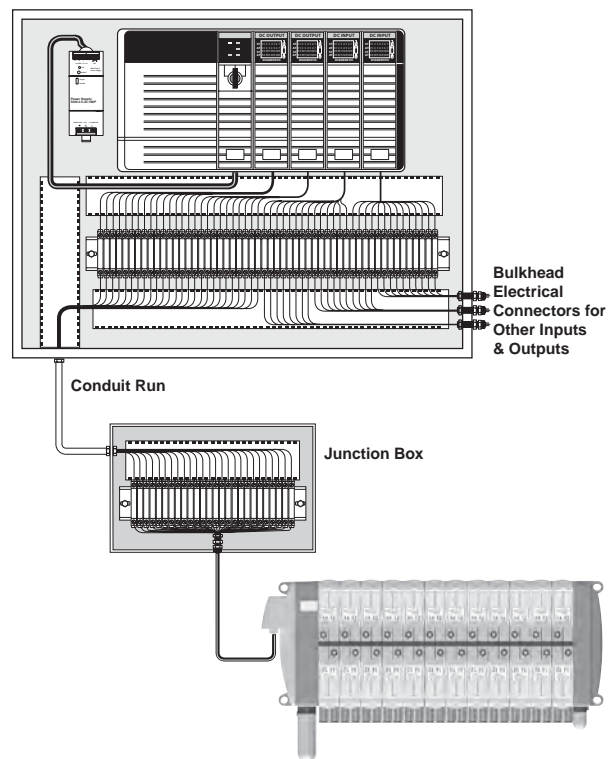
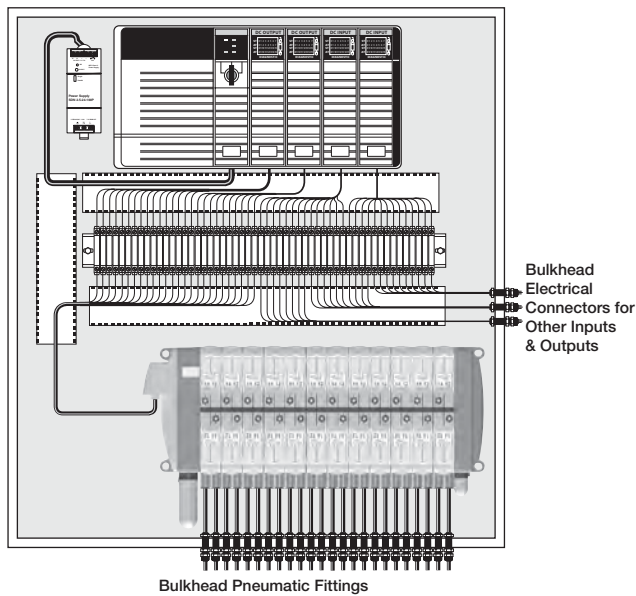
**Decentralized Application**

**Valves Outside Control Cabinet**

- Valves located near application - Ready for machine mounting
- IP65 rating suitable for dusty and wet environments

**Advantages**

- Reduces control cabinet size
- Reduces tubing length and improves pneumatic response time
- Eliminates pneumatic bulk fittings on control cabinet



**D**

**Subbase & Manual Valves**

**H Series Micro**

**Moduflex Series**

**H Series ISO**

**Fieldbus Systems**

**DX ISOMAX Series**

**Valvair II Series**



For inventory, lead time, and kit lookup, visit [www.pdnplu.com](http://www.pdnplu.com)

**Basic Systems: Moduflex Fieldbus**

- Up to 16 solenoids per manifold
- Fieldbus equipped manifolds – optimized for PLCs with fieldbus capability
- Routinely used on medium sized machines
- Connectivity to Moduflex, H Series Micro and H Series ISO valves.

**Centralized Application**

**Valves Inside Control Cabinet**

- Valves located near machine control
- Applications with caustic wash down, hazardous areas, or extreme temperatures
- Additional inputs and outputs are not directly attached to valve manifold

**Advantages**

- Highest degree of environmental protection
- One location for all control devices
- Small size requires minimal cabinet space
- Eliminates terminal strips and wire ways for valves
- Greatly reduces wiring time
- Eliminates junction boxes for valves
- Eliminates conduit runs for valves

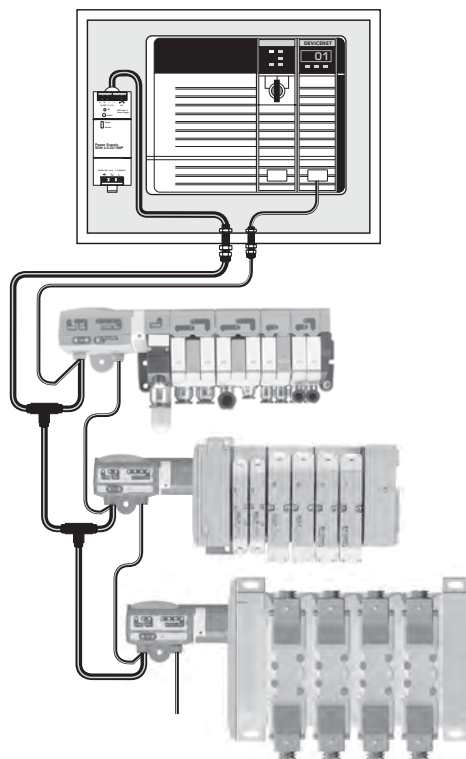
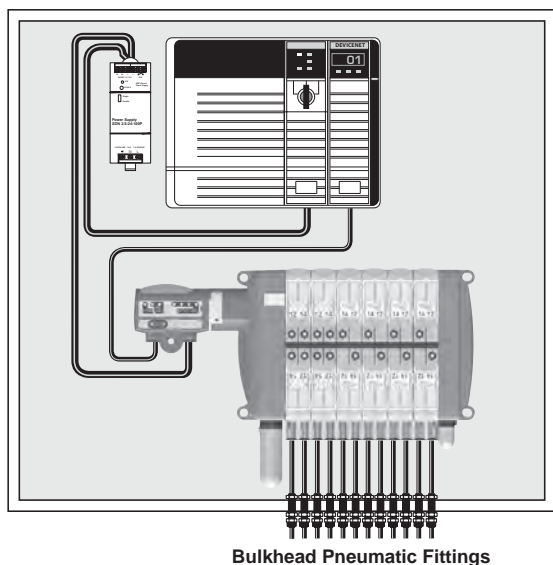
**Decentralized Application**

**H Series Micro Outside Control Cabinet**

- Valves located near application - Ready for machine mounting
- IP65 rating suitable for dusty and wet environments
- Additional inputs and outputs are not directly attached to valve manifold

**Advantages**

- Smallest control cabinet
- Reduces tubing length and improves pneumatic response time
- Eliminates pneumatic bulk fittings on control cabinet
- Many fieldbus nodes can be attached to the network with little incremental cost – valve manifolds, inputs, outputs and other devices.
- Eliminates terminal strips and wire ways for valves
- Greatly reduces wiring time
- Eliminates junction boxes for valves
- Eliminates conduit runs for valves



**D**  
 Subbase & Manual Valves  
 H Series Micro  
 Moduflex Series  
 H Series ISO  
 Fieldbus Systems  
 DX ISOMAX Series  
 Valvair II Series



For inventory, lead times, and kit lookup, visit [www.pdnplu.com](http://www.pdnplu.com)

**Complete Fieldbus Systems: H Series Fieldbus System**

- Up to 32 Solenoids per Manifold
- With H Series Micro Bus Extension Functionality, 4 Manifolds with up to 32 Solenoids each can be connected on the same Node
- Add Inputs and Outputs to the H Series Fieldbus Network
- Fieldbus equipped Manifolds – optimized for PLC's with Fieldbus capability
- Connectivity to H Series Micro and H Series ISO valves

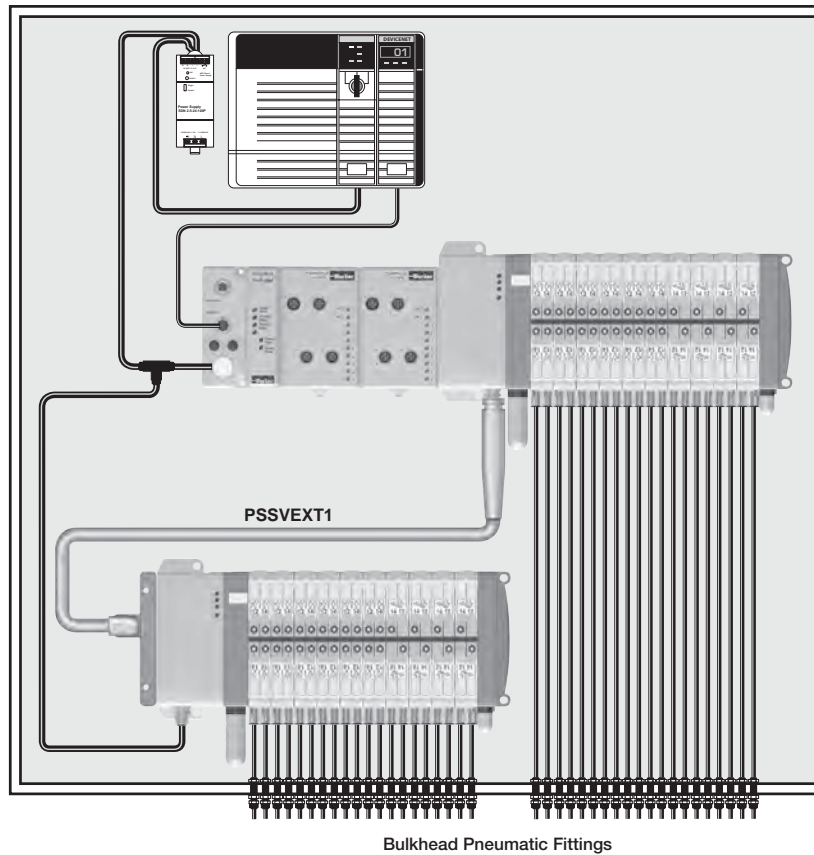
**Centralized Application**

**Valves Inside Control Cabinet**

- H Series Fieldbus System with Inputs and Outputs
- Valves located near machine control
- Applications with caustic wash down, hazardous areas, or extreme temperatures
- Additional inputs and outputs are directly attached to valve manifold

**Advantages**

- Handle All I/O from One Node
- Eliminate PLC Input / Output Cards
- Up to 128 Solenoids per Node with Bus Extension Cables
- Up to 256 Inputs and 256 Outputs per H Series Fieldbus Node
- Analog Inputs / Outputs available
- Highest degree of environmental protection
- One location for all control devices
- Eliminates terminal strips and wire ways
- Greatly reduces wiring time



For inventory, lead time, and kit lookup, visit [www.pdnplu.com](http://www.pdnplu.com)

D191

**Parker Hannifin Corporation**  
 Pneumatic Division  
 Richland, Michigan  
[www.parker.com/pneumatics](http://www.parker.com/pneumatics)

**D**

**Subbase & Manual Valves**

**H Series Micro**

**Moduflex Series**

**H Series ISO**

**Fieldbus Systems**

**DX ISOMAX Series**

**Valvair II Series**

**Complete Fieldbus Systems: H Series Fieldbus System**

- Up to 32 Solenoids per Manifold
- With H Series Micro Bus Extension Functionality, 4 Manifolds with up to 32 Solenoids each can be connected on the same Node
- Add Inputs and Outputs to the H Series Fieldbus Network
- Fieldbus equipped Manifolds – optimized for PLC's with Fieldbus capability
- Connectivity to H Series Micro and H Series ISO valves

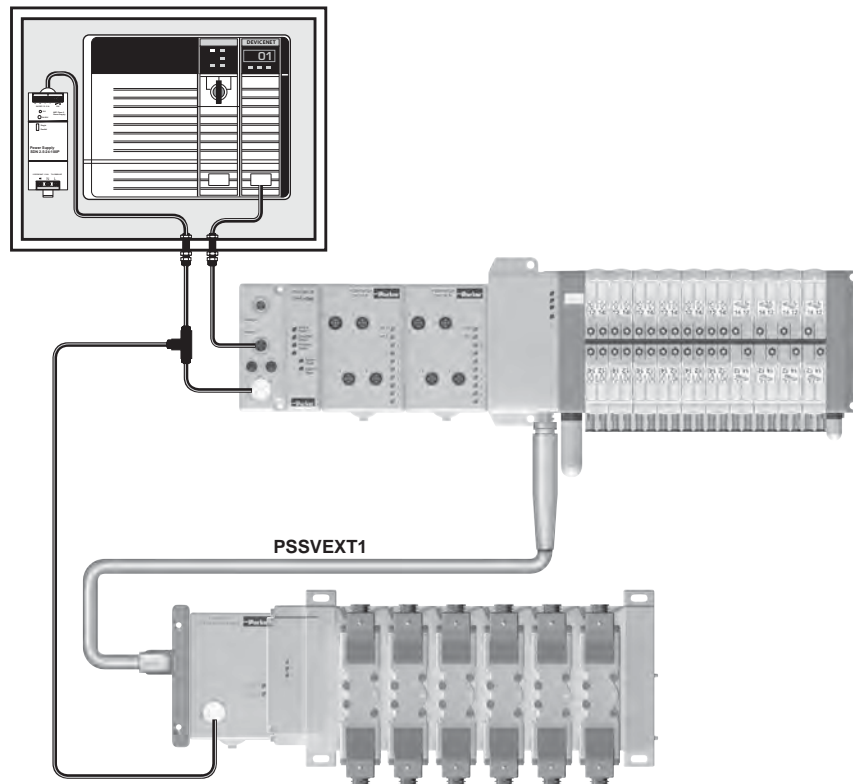
**Decentralized Application**

**Valves Outside Control Cabinet**

- H Series Fieldbus System with Inputs and Outputs
- Valves located near application - Ready for machine mounting
- IP65 rating suitable for dusty and wet environments
- Additional inputs and outputs are directly attached to valve manifold

**Advantages**

- Handle All I/O from One Node
- Eliminate PLC Input / Output Cards
- Up to 128 Solenoids per Node with Bus Extension Cables
- Up to 256 Inputs and 256 Outputs per H Series Fieldbus Nodes
- Analog Inputs / Outputs available
- Smallest control cabinet
- Reduces tubing length and improves pneumatic response time
- Eliminates pneumatic bulk fittings on control cabinet
- Many fieldbus nodes can be attached to the network with little incremental cost – valve manifolds, inputs, outputs and other devices.
- Eliminates terminal strips and wire ways
- Greatly reduces wiring time
- Eliminates junction boxes for all inputs and outputs
- Eliminates conduit runs for all inputs and outputs



D	Subbase & Manual
Valves	H Series Micro
Modulflex Series	H Series ISO
Fieldbus Systems	DX ISOMAX Series
Valvair II Series	



For inventory, lead times, and kit lookup, visit [www.pdnplu.com](http://www.pdnplu.com)

**Complete Fieldbus Systems: Turck Fieldbus System**

**General Product Features**

- Turck Fieldbus System with up to 256 inputs / outputs and 32 Solenoids per manifold
- Digital inputs / outputs, analog inputs / outputs, serial interface, counter modules, and RFID modules available
- Connectivity to H Series Micro and H Series ISO valves system

**Advantages**

- Handle all I/O from one node; eliminate PLC input / output cards
- Fieldbus equipped manifolds – optimized for PLC's with fieldbus capability
- Eliminates junction boxes, terminal strips, and conduit runs for all inputs and outputs, greatly reducing wiring time

**Centralized Application**

**Valves Inside Control Cabinet**

- Valves located near machine control
- Applications with caustic wash down, hazardous areas, or extreme temperatures

**Advantages**

- Highest degree of environmental protection
- One location for all control devices
- Small size requires minimal cabinet space

**Decentralized Application**

**Valves Outside Control Cabinet**

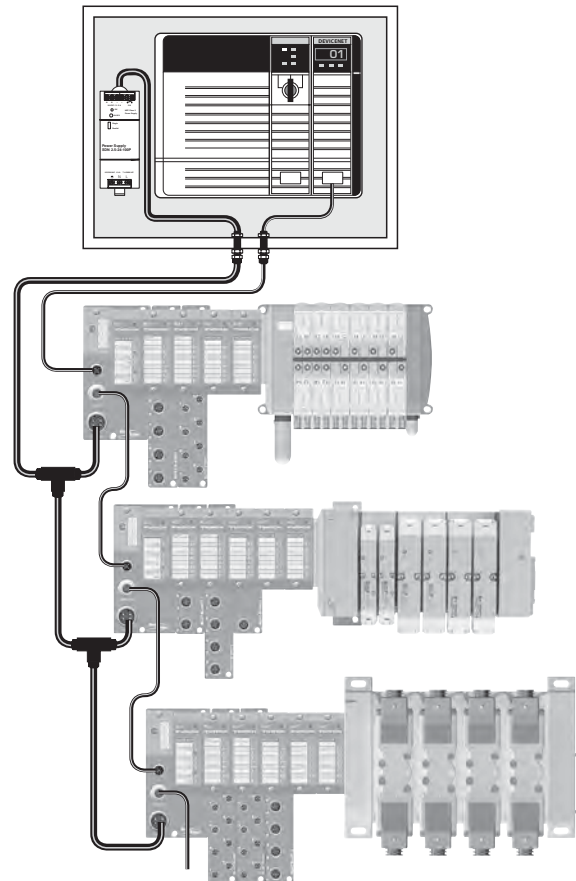
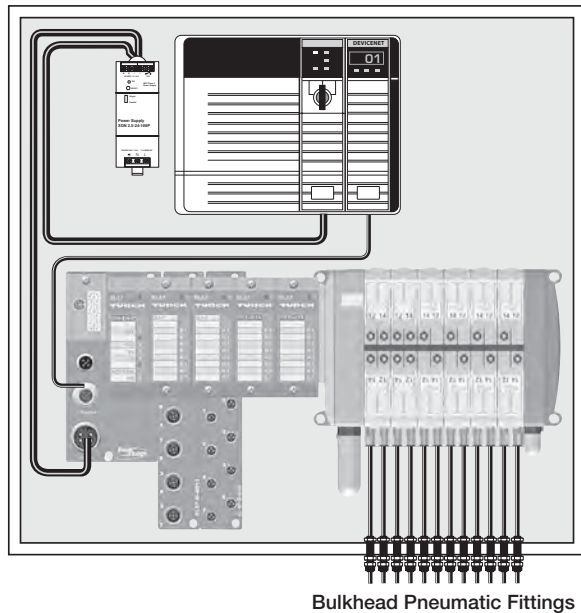
- Valves located near application - ready for machine mounting
- IP65 rating suitable for dusty and wet environments

**Advantages**

- Smallest control cabinet
- Reduces tubing length and improves response time
- Eliminates pneumatic bulk fittings on control cabinet



Modbus/TCP™  
**CANopen**



For inventory, lead time, and kit lookup, visit [www.pdnplu.com](http://www.pdnplu.com)



**Complete Fieldbus Systems: Turck Fieldbus System with CANopen Expansion**

**General Product Features**

- Turck Fieldbus System with up to 256 inputs / outputs and 32 Solenoids per manifold
- Digital inputs / outputs, analog inputs / outputs, serial interface, counter modules, and RFID modules available
- Connectivity to H Series Micro and H Series ISO valves

**CANopen Expansion Features**

- Using a CANopen Interface module, a CANopen subnet is created within the BL67 network, controlling an additional 64 inputs, outputs, or solenoids.
- The CANopen subnet is independent of the main fieldbus network, and is not visible to the master PLC.
- Additional Moduflex CANopen modules can be attached to the CANopen subnet to provide a connection for 16 solenoids each.
- Other 3rd party CANopen devices can also be used on this network, within the 64 bit CANopen Expansion limit.

**System Advantages**

- Handle all I/O from one node; eliminate PLC input / output cards
- Fieldbus equipped manifolds – optimized for PLC’s with fieldbus capability
- Several CANopen fieldbus nodes can be attached to the network – valve manifolds, inputs, outputs or other devices
- CANopen expansion allows additional devices to be attached to the system without a CANopen scanner card
- Eliminates junction boxes, terminal strips, and conduit runs for all inputs and outputs, greatly reducing wiring time

**Centralized Application**

**Valves Inside Control Cabinet**

- Valves located near machine control
- Applications with caustic wash down, hazardous areas, or extreme temperatures

**Advantages**

- Highest degree of environmental protection
- One location for all control devices
- Small size requires minimal cabinet space

**Decentralized Application**

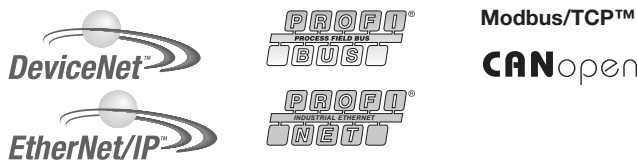
**Valves Outside Control Cabinet**

- Valves located near application - ready for machine mounting
- IP65 rating suitable for dusty and wet environments

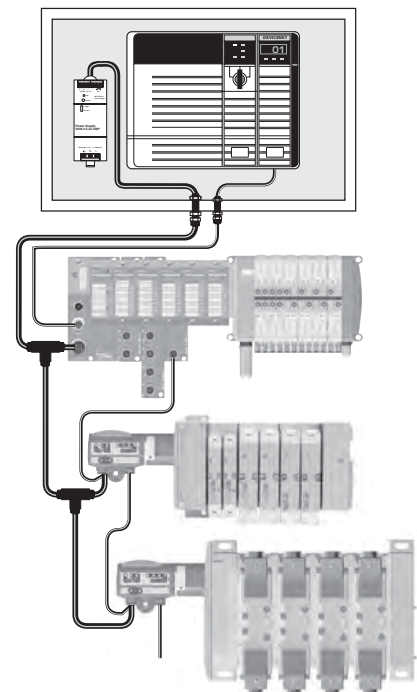
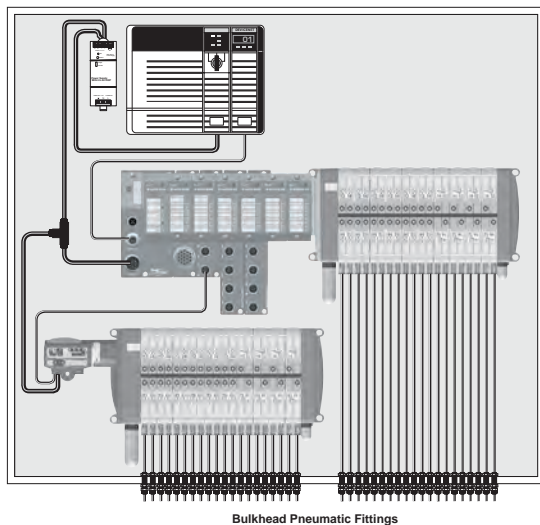
**Advantages**

- Smallest control cabinet
- Reduces tubing length and improves response time
- Eliminates pneumatic bulk fittings on control cabinet

**D**  
 Subbase & Manual Valves  
 H Series Micro  
 Moduflex Series  
 H Series ISO  
 Fieldbus Systems  
 DX ISOMAX Series  
 Valvair II Series



Modbus/TCP™  
**CANopen**



For inventory, lead times, and kit lookup, visit [www.pdnplu.com](http://www.pdnplu.com)

**Complete Fieldbus Systems: Turck Fieldbus System with BL Remote DeviceNet Subnet**

**General Product Features**

- Turck Fieldbus System with up to 256 inputs / outputs and 32 Solenoids per manifold
- Digital inputs / outputs, analog inputs / outputs, serial interface, counter modules, and RFID modules available
- Connectivity to H Series Micro and H Series ISO valves

**BL Remote DeviceNet Subnet Features**

- With BL Remote DeviceNet Subnet functionality, each communication module has its own DeviceNet master which provides a connection for 63 DeviceNet nodes with additional inputs, outputs, and solenoid control
- BL Remote DeviceNet Subnet is independent of the main fieldbus network, and is not visible to the master PLC
- Moduflex DeviceNet modules can be attached to the subnet to provide a connection for 16 solenoids each
- Turck DeviceNet modules can be attached to the subnet to provide a connection for 16 or 32 solenoids each and inputs and outputs up to the 256 input and output limitation

**System Advantages**

- Handle all I/O from one node; eliminate PLC input / output cards
- Fieldbus equipped manifolds – optimized for PLC's with fieldbus capability
- Many DeviceNet nodes can be attached to the network – valve manifolds, inputs, outputs or other devices
- Eliminates junction boxes, terminal strips, and conduit runs for all inputs and outputs, greatly reducing wiring time

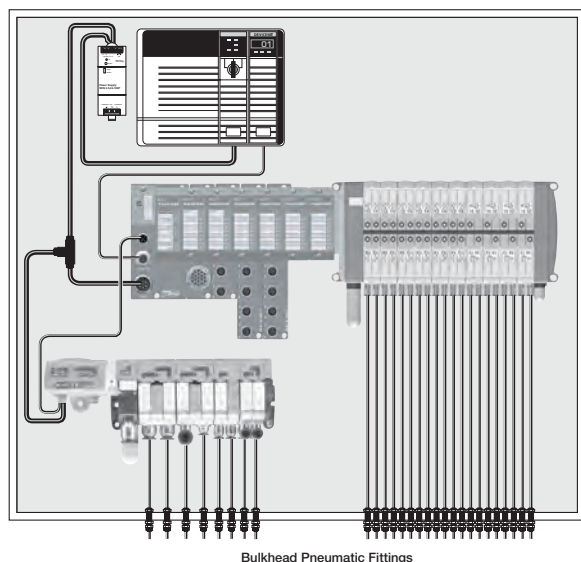
**Centralized Application**

**Valves Inside Control Cabinet**

- Valves located near machine control
- Applications with caustic wash down, hazardous areas, or extreme temperatures

**Advantages**

- Highest degree of environmental protection
- One location for all control devices
- Small size requires minimal cabinet space



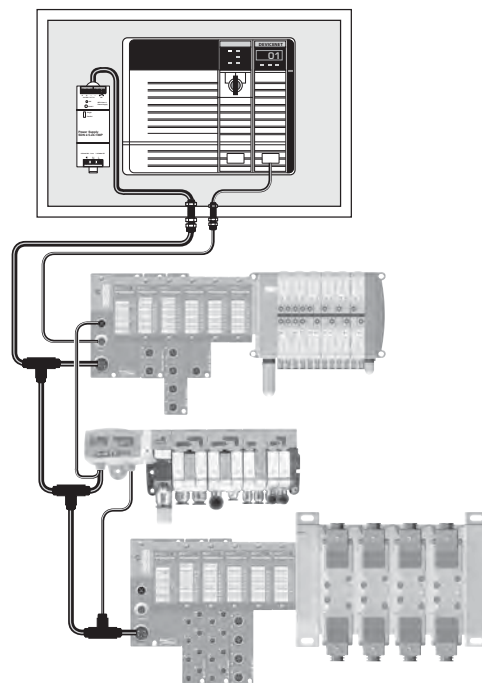
**Decentralized Application**

**Valves Outside Control Cabinet**

- Valves located near application, ready for machine mounting
- IP65 rating suitable for dusty and wet environments

**Advantages**

- Smallest control cabinet
- Reduces tubing length and improves response time
- Eliminates pneumatic bulk fittings on control cabinet



For inventory, lead time, and kit lookup, visit [www.pdnplu.com](http://www.pdnplu.com)

**Complete Fieldbus Systems: Turck Fieldbus System with Stand Alone Control**

**General Product Features**

- Turck Fieldbus System with up to 256 inputs / outputs and 32 Solenoids per manifold
- Digital inputs / outputs, analog inputs / outputs, serial interface, counter modules, and RFID modules available
- Connectivity to H Series Micro and H Series ISO valves

**Stand Alone Control Features**

- Communication modules equipped with standalone control – programmed according to IEC61131-3 with CoDeSys
- 512KB Program memory with 32 bit RISC processor
- Run 1000 instructions in less than 1 ms
- Fieldbus equipped manifolds – optimized for PLC's with fieldbus capability or standalone controllers that need to interface with other devices

**System Advantages**

- Handle all I/O and control with one system; eliminate the PLC when used as the main controller for smaller machines
- Reduces programming and bandwidth requirements on large machines with a master PLC controller by handling local I/O and interfacing with the PLC over the fieldbus network
- Fieldbus equipped manifolds provide connectivity to other fieldbus devices
- Eliminates junction boxes, terminal strips, and conduit runs for all inputs and outputs, greatly reducing wiring time

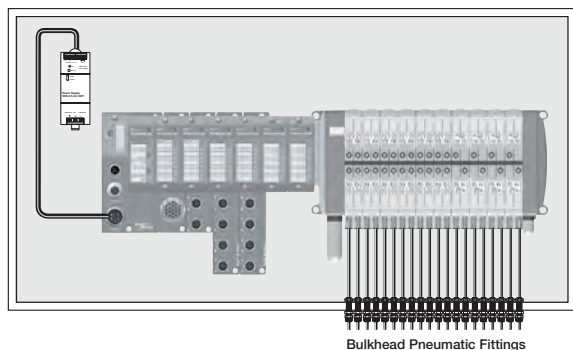
**Centralized Application Valves**

**Inside Control Cabinet**

- Valves attached to the machine control
- Applications with caustic wash down, hazardous areas, or extreme temperatures

**Advantages**

- Highest degree of environmental protection
- One location for all control devices



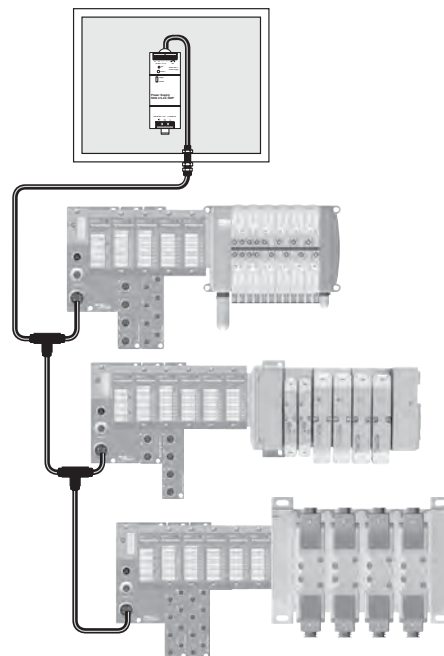
**Decentralized Application**

**Valves Outside Control Cabinet**

- Valves and machine control located near application, ready for machine mounting
- IP65 rating suitable for dusty and wet environments

**Advantages**

- No control cabinet needed when used as the main controller
- Reduces tubing length and improves response time
- Eliminates pneumatic bulk fittings on control cabinet

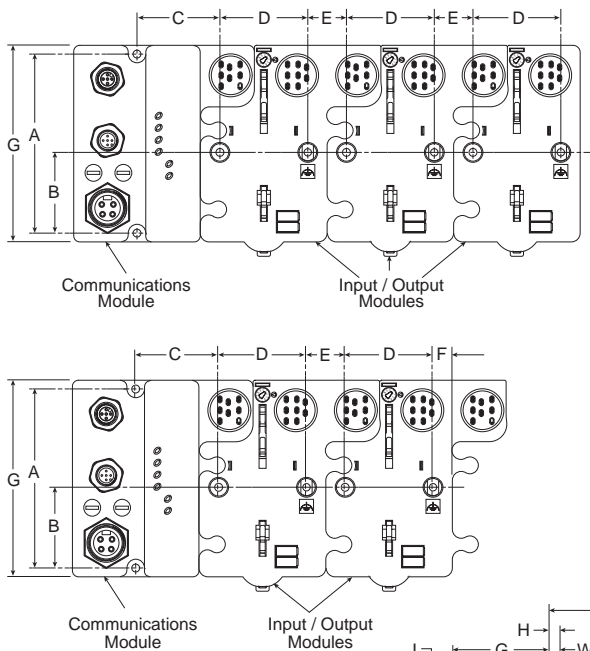


D	Subbase & Manual Valves
	H Series Micro
	Modutlex Series
	H Series ISO
	Fieldbus Systems
	DX ISOMAX Series
	Valvair II Series



For inventory, lead times, and kit lookup, visit [www.pdnplu.com](http://www.pdnplu.com)

**H Series Fieldbus with H Series ISO Valves**



**Dimensions**

A	B	C	D
4.00 (102)	1.80 (46)	1.90 (48)	2.00 (50)
E	F	G	
.87 (22)	.43 (11)	4.41 (112)	

Inches (mm)

**HB - HA Dimensions**

G	H	H <sub>1</sub>	J	K
2.68 (68)	.33 (8.4)	1.80 (45.8)	.15 (4)	4.32 (110)
L	M	P	W	W <sub>1</sub>
.63 (16)	5.39 (137)	5.98 (152)	1.61 (40.8)	2.24 (56.8)

Inches (mm)

**H1 Dimensions**

G	H	J	K	P
2.20 (56)	.63 (15.9)	.33 (8.5)	6.50 (165)	7.17 (182)

**W**  
1.93  
(49)

Inches (mm)

**H2 Dimensions**

G	H	J	K	P
2.28 (58)	.63 (16)	.47 (12)	8.46 (215)	9.41 (239)

**W**  
2.20  
(56)

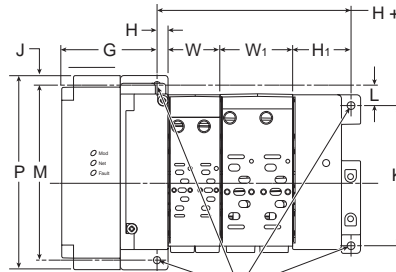
Inches (mm)

**H3 Dimensions**

G	H	J	K	P
2.52 (64)	.65 (16.5)	.59 (15)	10.43 (265)	11.61 (295)

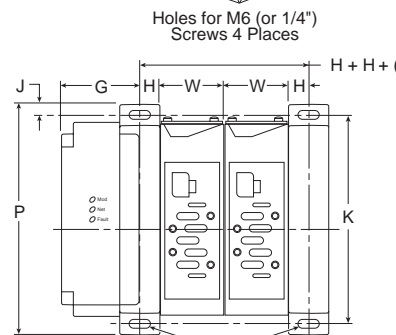
**W**  
2.80  
(71)

Inches (mm)



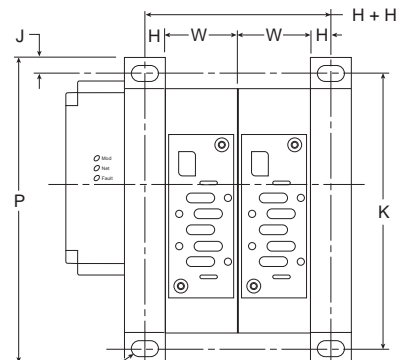
$H + H_1 + (W \times n + W_1 \times n_1)$   
 n = Number of 18mm HB Bases  
 n<sub>1</sub> = Number of 26mm HA Bases  
 W = Width of 18mm HB Bases  
 W<sub>1</sub> = Width of 26mm HA Bases

**HB - HA Manifold Assembly**



$H + H_1 + (W \times n)$   
 n = Number of H1 Bases  
 W = Width of H1 Bases

**H1 Manifold Assembly**



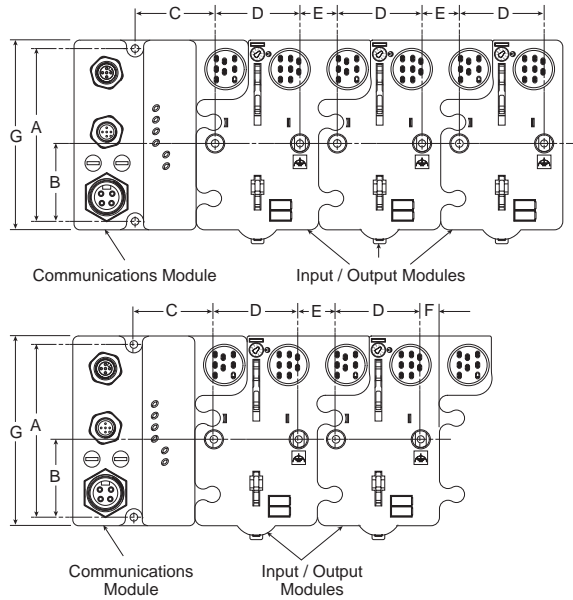
$H + H_1 + (W \times n)$   
 n = Number of H2 / H3 Bases  
 W = Width of H2 / H3 Bases

**H2 - H3 Manifold Assembly**



For inventory, lead time, and kit lookup, visit [www.pdnplu.com](http://www.pdnplu.com)

**H Series Fieldbus with H Series ISO Valves**



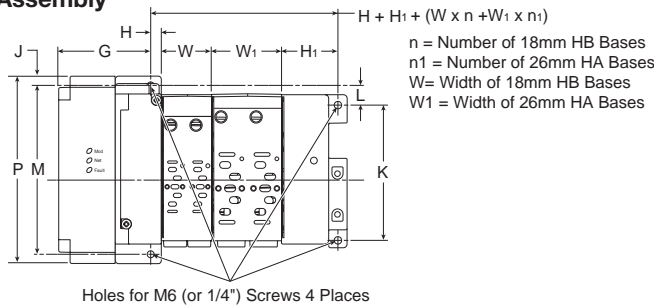
A	B	C	D
4.00	1.80	1.90	2.00
(102)	(46)	(48)	(50)

E	F	G
.87	.43	4.41
(22)	(11)	(112)

Inches (mm)

**D**  
 Subbase & Manifold Valves  
 H Series Micro  
 Modulflex Series  
 H Series ISO  
 Fieldbus Systems  
 DX ISOMAX Series  
 Valvair II Series

**HB - HA Manifold Assembly**



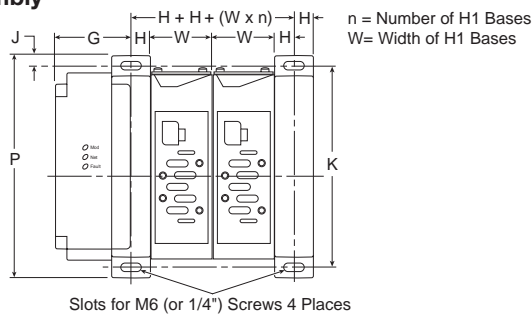
**HB - HA Dimensions**

G	H	H <sub>1</sub>	J	K
2.68	.33	1.80	.15	4.32
(68)	(8.4)	(45.8)	(4)	(110)

L	M	P	W	W <sub>1</sub>
.63	5.39	5.98	1.61	2.24
(16)	(137)	(152)	(40.8)	(56.8)

Inches (mm)

**H1 Manifold Assembly**



**H1 Dimensions**

G	H	J	K	P
2.20	.63	.33	6.50	7.17
(56)	(15.9)	(8.5)	(165)	(182)

W
1.93
(49)

Inches (mm)

**H2 Dimensions**

G	H	J	K	P
2.34	.65	.47	8.46	9.41
(59.5)	(16.5)	(12)	(215)	(239)

W
2.20
(56)

Inches (mm)

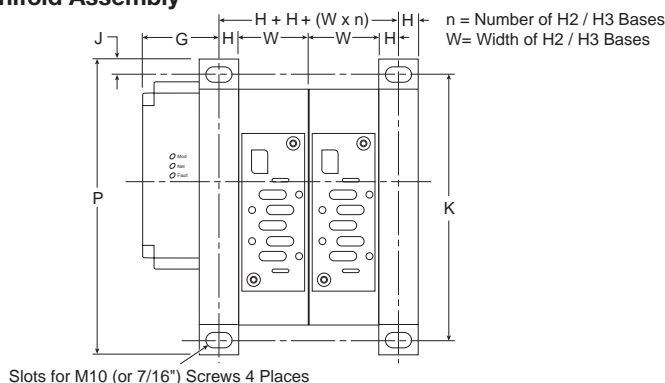
**H3 Dimensions**

G	H	J	K	P
2.34	.65	.59	10.43	11.61
(59.5)	(16.5)	(15)	(265)	(295)

W
2.80
(71)

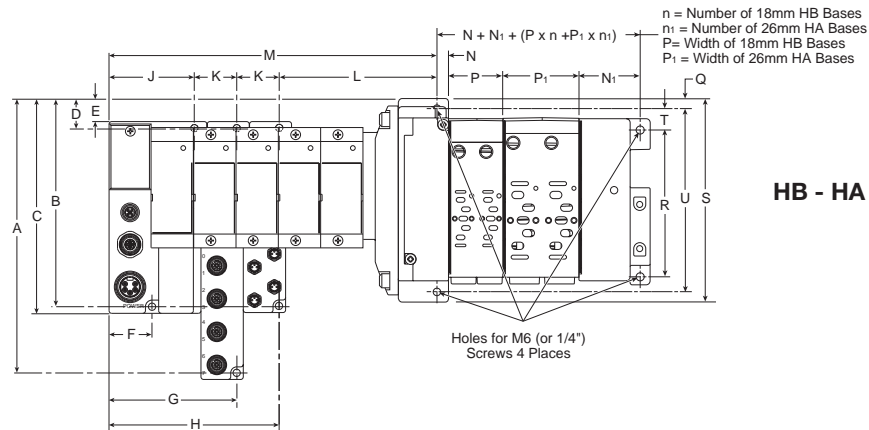
Inches (mm)

**H2 - H3 Manifold Assembly**

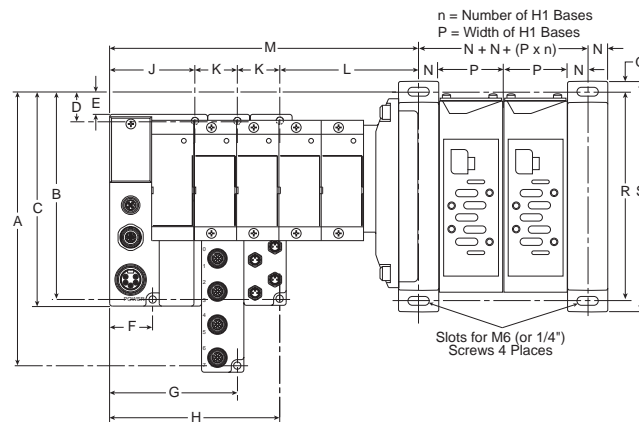


For inventory, lead times, and kit lookup, visit [www.pdnplu.com](http://www.pdnplu.com)

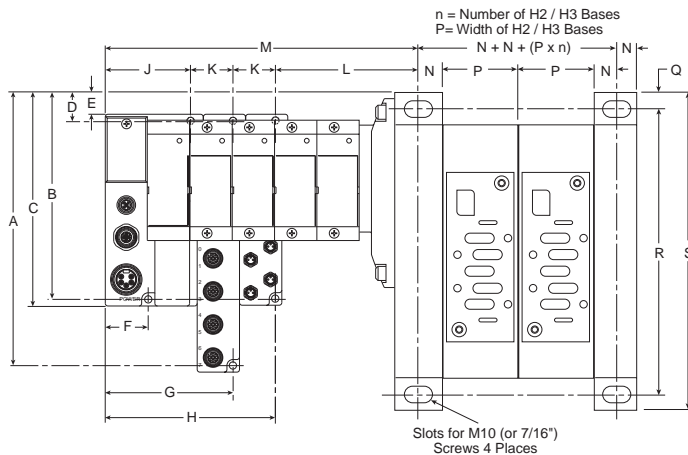
**Turck with H Series ISO Valves**



**HB - HA Manifold Assembly**



**H1 Manifold Assembly**



**H2 - H3 Manifold Assembly**

	A	B	C	D	E	F	G	H	J	K	L	M	N	N <sub>1</sub>	P	P <sub>1</sub>	Q	R	S	T	U
<b>HA / HB</b>	8.05 (204.5)	6.08 (154.5)	6.28 (159.5)	0.75 (19.5)	0.57 (14.5)	1.28 (32.5)	3.79 (96.5)	5.06 (128.5)	2.53 (64.5)	1.26 (32)	4.75 (120.8)	See note 1	.33 (8.4)	1.80 (45.8)	1.61 (40.8)	2.24 (56.8)	.15 (4)	4.32 (110)	5.98 (152)	.63 (16)	5.39 (137)
<b>H1</b>	8.53 (216.7)	6.56 (166.7)	6.76 (171.7)	1.25 (31.7)	1.05 (26.7)	1.28 (32.5)	3.79 (96.5)	5.06 (128.5)	2.53 (64.5)	1.26 (32)	4.27 (108.5)	See note 1	.63 (15.9)	—	1.93 (49)	—	.33 (8.5)	6.50 (165)	7.17 (182)	—	—
<b>H2</b>	8.38 (212.9)	6.41 (162.9)	6.61 (167.9)	1.10 (27.9)	.90 (22.9)	1.28 (32.5)	3.79 (96.5)	5.06 (128.5)	2.53 (64.5)	1.26 (32)	4.34 (110)	See note 1	.65 (16.5)	—	2.20 (56)	—	.47 (12)	8.46 (215)	9.41 (239)	—	—
<b>H3</b>	8.62 (218.9)	6.65 (168.9)	6.85 (173.9)	1.33 (33.9)	1.14 (28.9)	1.28 (32.5)	3.79 (96.5)	5.06 (128.5)	2.53 (64.5)	1.26 (32)	4.34 (110)	See note 1	.65 (16.5)	—	2.80 (71)	—	.59 (15)	10.43 (265)	11.61 (295)	—	—

Note 1:  $M = J + L + n_2 \times K$ , where  $n_2$  = Number of Turck input / output modules  
 Inches (mm)



For inventory, lead time, and kit lookup, visit [www.pdnplu.com](http://www.pdnplu.com)

D199

**Parker Hannifin Corporation**  
 Pneumatic Division  
 Richland, Michigan  
[www.parker.com/pneumatics](http://www.parker.com/pneumatics)

**D**

**Subbase & Manual Valves**

**H Series Micro**

**Modulflex Series**

**H Series ISO**

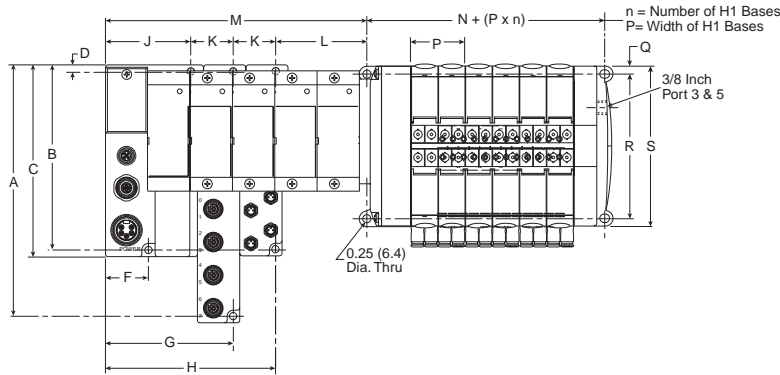
**Fieldbus Systems**

**DX ISOMAX Series**

**Valvair II Series**



**Turk with H Series Micro Valves**

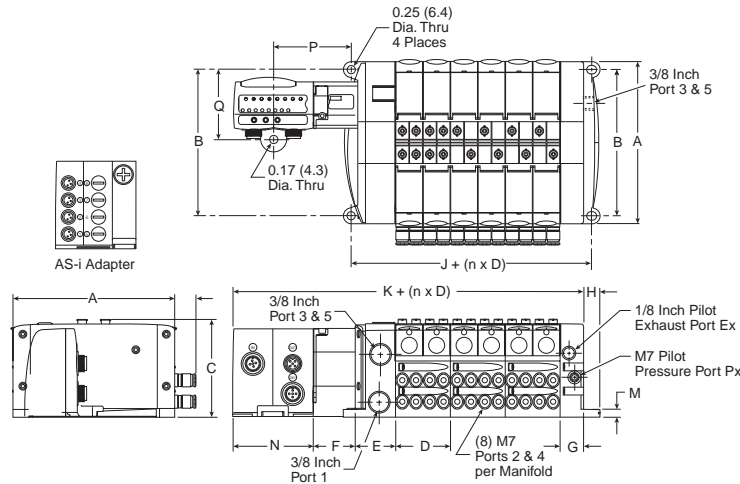


A	B	C	D	F	G	H	J	K	L	M	N	P	Q	R	S
7.48	5.51	5.71	0.20	1.28	3.79	5.06	2.53	1.26	2.54	See note 1	2.28	1.65	.19	4.41	4.88
(190)	(140)	(145)	(5)	(32.5)	(96.5)	(128.5)	(64.5)	(32)	(64)		(58)	(42)	(4.9)	(112)	(124)

Note 1:  $M = J + L + n_2 \times K$ , where  $n_2 =$  Number of Turk input / output modules  
 Inches (mm)

**D**  
 Subbase & Manual Valves  
 H Series Micro  
 Moduflex Series  
 H Series ISO  
 Fieldbus Systems  
 DX ISOMAX Series  
 Valvair II Series

**Moduflex Adapter, Side Ported**



A	B	C	D	E	F	G	H	J	K	M	N	P	Q
4.88	4.41	2.95	1.65	1.22	1.28	0.71	0.49	2.28	6.10	0.24	2.40	2.36	2.07
(124.0)	(112.0)	(75.0)	(42.0)	(31.0)	(32.5)	(18.0)	(12.5)	(58.0)	(155.0)	(6.1)	(61.0)	(60.0)	(52.5)

Inches (mm)

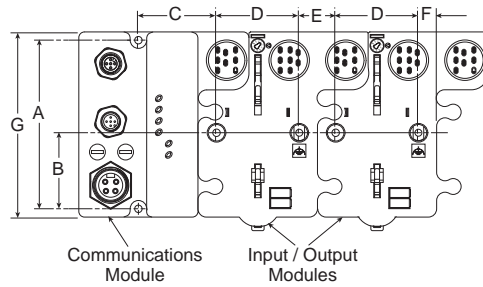
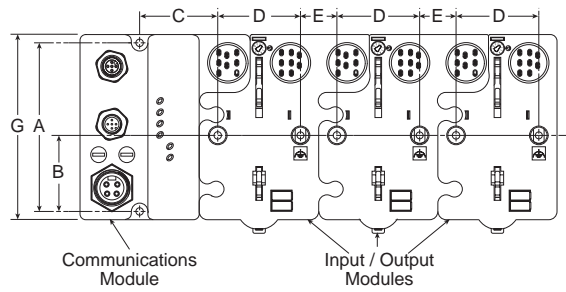


For inventory, lead times, and kit lookup, visit [www.pdnplu.com](http://www.pdnplu.com)

D200

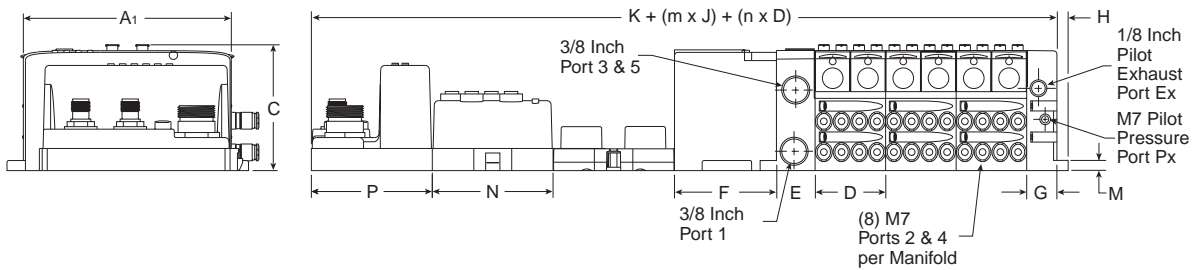
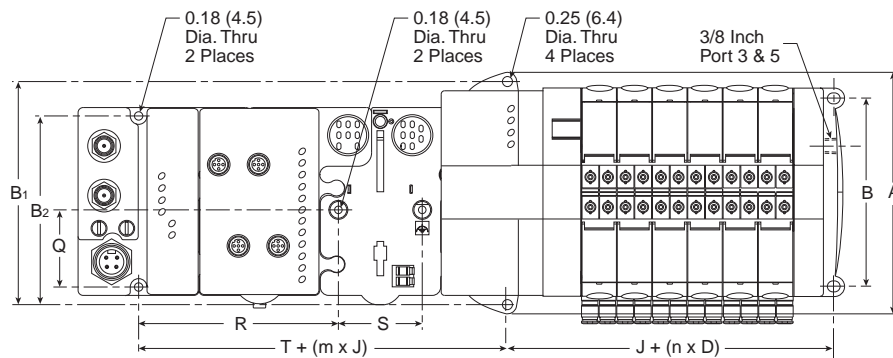
**Parker Hannifin Corporation**  
 Pneumatic Division  
 Richland, Michigan  
[www.parker.com/pneumatics](http://www.parker.com/pneumatics)

**H Series Fieldbus with H Series Micro Valves**



A	B	C	D
4.00 (102)	1.80 (46)	1.90 (48)	2.00 (50)
E	F	G	
.87 (22)	.43 (11)	4.41 (112)	

Inches (mm)



A	A1	B	B1	B2	C	D	E	F	G
5.67 (144.0)	4.88 (124.0)	4.41 (112.0)	5.24 (133.0)	4.02 (102.0)	2.95 (75.0)	1.65 (42.0)	0.91 (23.0)	2.40 (61.0)	0.71 (18.0)
H	J	K	M	N	P	Q	R	S	T
0.49 (12.5)	2.72 (69.0)	7.32 (186.0)	0.24 (6.1)	2.83 (72.0)	2.83 (72.0)	1.81 (46.0)	4.72 (120.0)	2.01 (51.0)	2.01 (51.0)

Inches (mm)

n = Number of Manifolds  
 m = Number of Modules



For inventory, lead time, and kit lookup, visit [www.pdnplu.com](http://www.pdnplu.com)

D201

**Parker Hannifin Corporation**  
 Pneumatic Division  
 Richland, Michigan  
[www.parker.com/pneumatics](http://www.parker.com/pneumatics)

**D**

Subbase & Manual Valves

H Series Micro

Modulflex Series

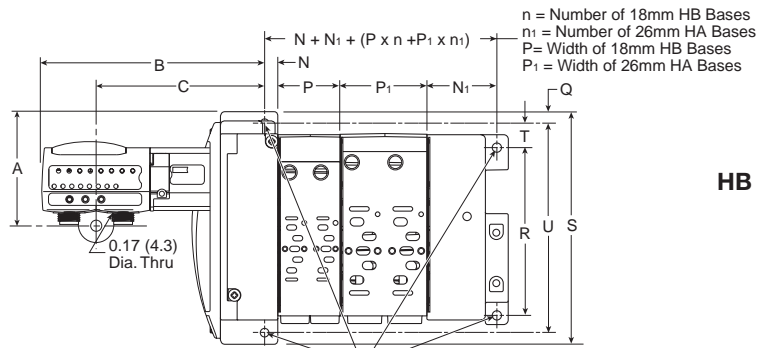
H Series ISO

Fieldbus Systems

DX ISOMAX Series

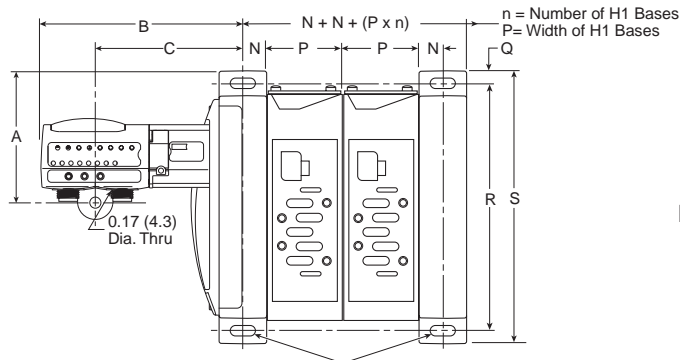
Valvair II Series

**Moduflex with H Series ISO Valves**



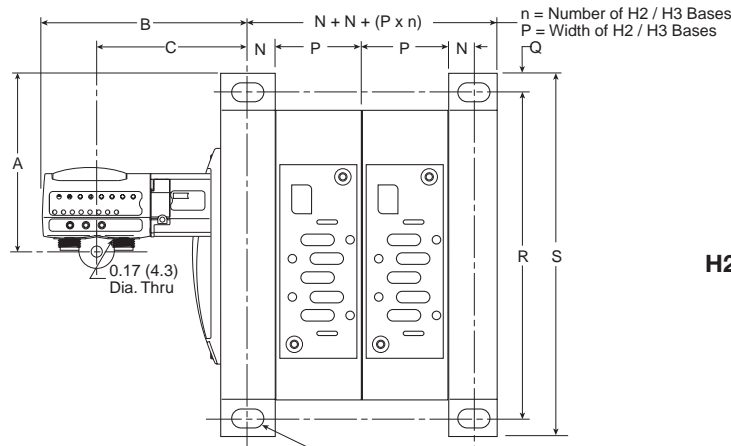
**HB - HA Manifold Assembly**

Holes for M6 (or 1/4")  
 Screws 4 Places



**H1 Manifold Assembly**

Slots for M6 (or 1/4")  
 Screws 4 Places



**H2 - H3 Manifold Assembly**

Slots for M10 (or 7/16")  
 Screws 4 Places

	A	B	C	N	N <sub>1</sub>	P	P <sub>1</sub>	Q	R	S	T	U
<b>HA / HB</b>	2.75 (69.8)	5.61 (142.5)	4.40 (111.8)	.33 (8.4)	1.80 (45.8)	1.61 (40.8)	2.24 (56.8)	.15 (4)	4.32 (110)	5.98 (152)	.63 (16)	5.39 (137)
<b>H1</b>	3.23 (82)	6.33 (160.9)	5.13 (130.2)	.63 (15.9)	—	1.93 (49)	—	.33 (8.5)	6.50 (165)	7.17 (182)	—	—
<b>H2</b>	3.08 (78.2)	6.40 (161.5)	5.19 (131.8)	.65 (16.5)	—	2.20 (56)	—	.47 (12)	8.46 (215)	9.41 (239)	—	—
<b>H3</b>	3.31 (84.2)	6.40 (161.5)	5.19 (131.8)	.65 (16.5)	—	2.80 (71)	—	.59 (15)	10.43 (265)	11.61 (295)	—	—

Inches (mm)

**D**

Subbase & Manual Valves

H Series Micro

Moduflex Series

H Series ISO

Fieldbus Systems

DX ISOMAX Series

Valvair II Series



For inventory, lead times, and kit lookup, visit [www.pdnplu.com](http://www.pdnplu.com)

D202

**Parker Hannifin Corporation**  
 Pneumatic Division  
 Richland, Michigan  
[www.parker.com/pneumatics](http://www.parker.com/pneumatics)

## DX ISOMAX Series

The ISOMAX range of directional control valves complies with ISO 15407-1 and VDMA 24563 for sizes 02 and 01 and ISO 5599-1 for sizes 1, 2 and 3. ISOMAX provides flows from 0.55 Cv to 4.15 Cv.

The ISOMAX range includes valves for pneumatic and electrical actuation with a wide choice of subbases and manifolds to suit different application needs.

All ISOMAX products use high-tech ceramic switching technology providing:

Excellent reliability

- Long life in excess of 100 million operations\*
- Operates with lubricated or non-lubricated air
- Low sensitivity to air quality changes

High performance

- Slide valve concept allows high flow / size ratio and short response time due to short slide stroke and low friction

Stable long lasting performances

- Low friction switching: minimum wear of the valve member / seal assembly

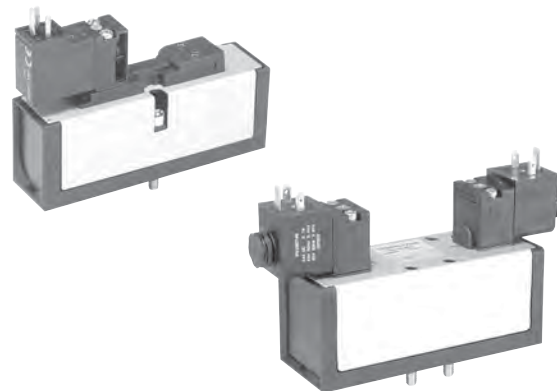
Valves fitted with switchable selector to give internal or external pilot supply

Corrosion free and modern design

Vacuum operation

Dual pressure

\* Refer to our warranty conditions.



### Operating information

Operating Pressure: Vacuum to 145 PSIG (10 bar)

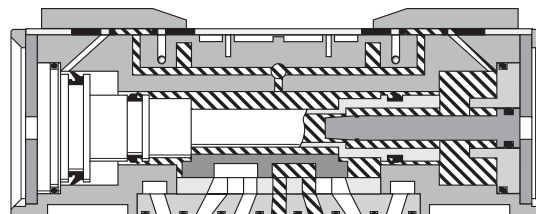
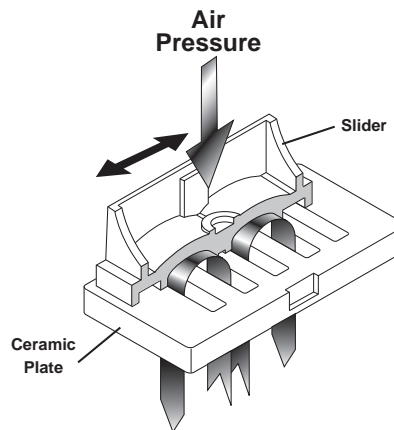
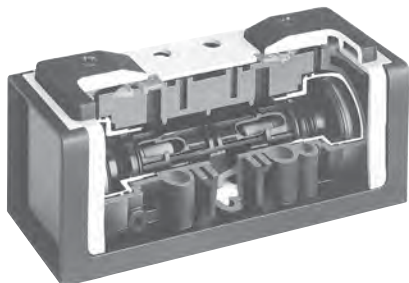
Function		M.O.P (PSIG)
20, 21, 22, 23	2-position, spring return	36
50, 51, 53, 54	2-position, air return	30
04, 05, 06, 08	2-position	15
09, 11, 12, 27	3-position, CE	45
16, 18, 19, 25	3-position, APB	45

Working temperatures: -10°C to 60°C (14°F to 140°F)

Storage temperatures: -20°C to 70°C (-4°F to 158°F)

### Material specifications

Body	Polyamide reinforced fiberglass
Casing	Anodized aluminum
End plates	Painted zinc plated steel
Function selector	Polyamide reinforced fiberglass
Screws	Zinc plated steel
Seals	Nitrile
Seat	Ceramic
Springs	Stainless steel
Top cover seals	Polyester
Valve members	Self lubricating acetal
Valve plate	Zinc



Pressure Exhaust

Remote Pilot



For inventory, lead time, and kit lookup, visit [www.pdnplu.com](http://www.pdnplu.com)

D203

Parker Hannifin Corporation  
Pneumatic Division  
Richland, Michigan  
[www.parker.com/pneumatics](http://www.parker.com/pneumatics)

D

Subbase & Manual Valves

H Series Micro

Moduflex Series

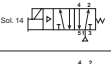

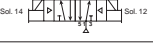
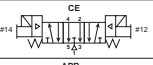
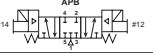
H Series ISO

Fieldbus Systems

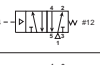
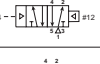
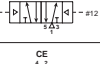
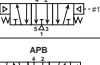
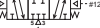
DX ISOMAX Series

Valvair II Series

**DX02 ISO Solenoid Valves**




Symbol	Type	Cv	Operator	Pilot	Override	24 VDC	120 VAC
	4-way, 2-position, spring return	0.55	Single solenoid	Internal	Non-locking	<b>DX02-621-951M</b>	<b>DX02-621-951J</b>
	4-way, 2-position, air return	0.55	Single solenoid	Internal	Non-locking	<b>DX02-651-951M</b>	<b>DX02-651-951J</b>
	4-way, 2-position	0.55	Double solenoid	Internal	Non-locking	<b>DX02-606-951M</b>	<b>DX02-606-951J</b>
	4-way, 3-position, center exhaust	0.4	Double solenoid	Internal	Non-locking	<b>DX02-611-951M</b>	<b>DX02-611-951J</b>
	4-way, 3-position, all ports blocked	0.4	Double solenoid	Internal	Non-locking	<b>DX02-616-951M</b>	<b>DX02-616-951J</b>

**DX02 ISO Remote Pilot Valves**

Symbol	Type	Cv	Operator	Pilot	Part number
	4-way, 2-position, spring return	0.55	Single remote pilot	Remote	<b>DX02-421-60</b>
	4-way, 2-position, air return	0.55	Single remote pilot	Remote	<b>DX02-451-60</b>
	4-way, 2-position	0.55	Double remote pilot	Remote	<b>DX02-406-60</b>
	4-way, 3-position, center exhaust	0.4	Double remote pilot	Remote	<b>DX02-411-60</b>
	4-way, 3-position, all ports blocked	0.4	Double remote pilot	Remote	<b>DX02-416-60</b>

**Torque Specifications**  
 DX02: 15 to 25 in-lbs (1.69 to 2.82 Nm)  
 DX01: 20 to 30 in-lbs (2.26 to 3.39 Nm)

**DX02 Series Accessories**

Accessory	Description	Part number
Sandwich regulator 	Common pressure	2-60 PSIG w/ gauge <b>PS5637155DXP</b>
	Common pressure	5-125 PSIG w/ gauge <b>PS5637166DXP</b>
	Independent pressure	2-60 PSIG w/ gauge <b>PS5637255DXP</b>
	Independent pressure	5-125 PSIG w/ gauge <b>PS5637266DXP</b>
Gauge adapter kit	Includes 1/8" coupling and long nipple	<b>PS5651160P</b>
Sandwich supply module	1/8" NPT	<b>PS562600P</b>
	1/8" BSPP	<b>PS562601P</b>
Sandwich exhaust module	1/8" NPT	<b>PS562700P</b>
	1/8" BSPP	<b>PS562701P</b>
2 Station manifold bases 	Description	1/8" NPT
	End ported bases	<b>PS5611510P</b>
End plate kit 	Description	NPT port
	Non-collective wiring end plate	<b>PS5631010P</b>
		BSPP port
		<b>PS5631011P</b>

 Most popular.







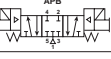
For inventory, lead times, and kit lookup, visit [www.pdnplu.com](http://www.pdnplu.com)

D204

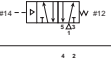
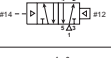
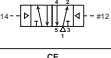
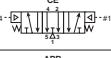
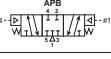
**Parker Hannifin Corporation**  
 Pneumatic Division  
 Richland, Michigan  
[www.parker.com/pneumatics](http://www.parker.com/pneumatics)

**D**  
 Subbase & Manifold Valves  
 H Series Micro  
 Moduteflex Series  
 H Series ISO  
 Fieldbus Systems  
 DX ISOMAX Series  
 Valvair II Series

**DX01 ISO Solenoid Valves**




Symbol	Type	Cv	Operator	Pilot	Override	24 VDC	120 VAC
 Sol. 14	4-way, 2-position, spring return	0.75	Single solenoid	Internal	Non-locking	<b>DX01-621-951M</b>	<b>DX01-621-951J</b>
 Sol. 14	4-way, 2-position, air return	0.75	Single solenoid	Internal	Non-locking	<b>DX01-651-951M</b>	<b>DX01-651-951J</b>
 Sol. 14	4-way, 2-position	0.75	Double solenoid	Internal	Non-locking	<b>DX01-606-951M</b>	<b>DX01-606-951J</b>
 Sol. 14	4-way, 3-position, center exhaust	0.5	Double solenoid	Internal	Non-locking	<b>DX01-611-951M</b>	<b>DX01-611-951J</b>
 Sol. 14	4-way, 3-position, all ports blocked	0.5	Double solenoid	Internal	Non-locking	<b>DX01-616-951M</b>	<b>DX01-616-951J</b>

**DX01 ISO Remote Pilot Valves**

Symbol	Type	Cv	Operator	Pilot	Part number
 #14	4-way, 2-position, spring return	0.75	Single remote pilot	Remote	<b>DX01-421-60</b>
 #14	4-way, 2-position, air return	0.75	Single remote pilot	Remote	<b>DX01-451-60</b>
 #14	4-way, 2-position	0.75	Double remote pilot	Remote	<b>DX01-406-60</b>
 #14	4-way, 3-position, center exhaust	0.5	Double remote pilot	Remote	<b>DX01-411-60</b>
 #14	4-way, 3-position, all ports blocked	0.5	Double remote pilot	Remote	<b>DX01-416-60</b>

**Torque Specifications**  
DX02: 15 to 25 in-lbs (1.69 to 2.82 Nm)  
DX01: 20 to 30 in-lbs (2.26 to 3.39 Nm)

**DX01 Series Accessories**

Accessory	Description	Part number
Sandwich regulator 	Common pressure	2-60 PSIG w/ gauge <b>PS5537155DXP</b>
	Common pressure	5-125 PSIG w/ gauge <b>PS5537166DXP</b>
	Independent pressure	2-60 PSIG w/ gauge <b>PS5537255DXP</b>
	Independent pressure	5-125 PSIG w/ gauge <b>PS5537266DXP</b>
Gauge adapter kit	Includes 1/8" coupling and long nipple	<b>PS5651160P</b>
Remote pilot access plate kit	1/4" NPT	<b>PS551500P</b>
	1/4" BSPP	<b>PS551501P</b>
Sandwich supply module	1/4" NPT	<b>PS552600P</b>
	1/4" BSPP	<b>PS552601P</b>
Sandwich exhaust module	1/4" NPT	<b>PS552700P</b>
	1/4" BSPP	<b>PS552701P</b>
Manifold to manifold gasket kits	Used with manifold PJLP02	<b>DX01M2MGSKT</b>
Manifold hardware kit	Includes 10 bolts, 10 washers, 10 nuts	<b>DX02M2MB</b>
2 Station manifold bases 	Description	1/4" NPT
	End ported bases	<b>PS5511530P</b> <b>PS5511540P</b>
End plate kit 	Description	NPT port
	Non-collective wiring end plate	<b>PS5631010P</b> <b>PS5531011P</b>

 Most popular.



For inventory, lead time, and kit lookup, visit [www.pdnplu.com](http://www.pdnplu.com)

D205

**Parker Hannifin Corporation**  
Pneumatic Division  
Richland, Michigan  
[www.parker.com/pneumatics](http://www.parker.com/pneumatics)

**D**

Subbase & Manual Valves

H Series Micro

Modulflex Series

H Series ISO

Fieldbus Systems

DX ISOMAX Series

Valvair II Series



**Model Number**

**DX02 - 6 06 - 95 1 M**

Basic Series	
ISO 15407-1 (18mm)	DX02
ISO 15407-1 (26mm)	DX01

Pilot	
Air Operated Remote Pilot	4
Solenoid Operated	6

Voltage & Frequency			
	AC		DC
	60Hz	50Hz	
J	120	110	
M			24
Blank	Remote Pilot		

Function	
<b>Internal Pilot Supply / Captured Exhaust 12</b>	
2-Position, Spring Return	21
2-Position, Air Return	51
2-Position	06
3-Position, CE	11
3-Position, APB	16
<b>External Pilot 14 Supply / Captured Exhaust 12*</b>	
2-Position, Spring Return	23
2-Position, Air Return	54
2-Position	05
3-Position, CE	09
3-Position, APB	19
<b>Internal Pilot Supply / Vented Exhaust</b>	
2-Position, Spring Return	20
2-Position, Air Return	50
2-Position	04
3-Position, CE	27
3-Position, APB	25
<b>External Pilot Supply / Vented Exhaust*</b>	
2-Position, Spring Return	22
2-Position, Air Return	53
2-Position	08
3-Position, CE	12
3-Position, APB	18

\* Must be specified when using Sandwich Regulators.

Override	
Blank	Remote Pilot
1	Non-Locking, Flush
3	Locking, Flush

Operator	
60	None, Remote Pilot Valve
95	15mm, 3-Pin, DIN 43650C

**D**

Subbase & Manual Valves

H Series Micro

Modulflex Series

H Series ISO

Fieldbus Systems

DX ISOMAX Series

Valvair II Series

*Note: DX02 18mm Valve Remote Pilot Option only available with PL02 Individual Subbase Kits*



For inventory, lead times, and kit lookup, visit [www.pdnplu.com](http://www.pdnplu.com)

D206

**Parker Hannifin Corporation**  
 Pneumatic Division  
 Richland, Michigan  
[www.parker.com/pneumatics](http://www.parker.com/pneumatics)

**15407-1, DX02 & DX01 Manifold / Subbase Kits**

**PS5511 13 0 P**

Basic Series	
ISO 15407-1 DX02	PS5611
ISO 15407-1 DX01	PS5511

Enclosures / Lead Length	
0	None, No Electrical Plug - 15407-1

Mounting Style / Port Size	
DX02	
Manifold with 1/8 NPT End Ports	51
Manifold with 1/8 BSPP End Port	52
Manifold with 1/8 NPT Bottom / End Port	61
Manifold with 1/8 BSPP Bottom / End Port	62
DX01	
Subbase with 1/4 NPT Side Ports	13
Subbase with 1/4 BSPP Side Ports	14
Subbase with 1/4 NPT Bottom / Side Port	23
Subbase with 1/4 BSPP Bottom / Side Port	24
Manifold with 1/4 NPT End Port	53
Manifold with 1/4 BSPP End Port	54
Manifold with 1/4 NPT Bottom / End Port	63
Manifold with 1/4 BSPP Bottom / End Port	64

**Subbase Kits**

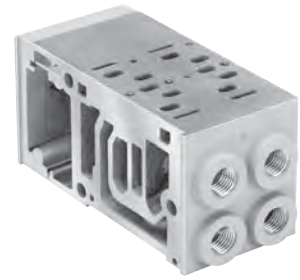


DX01 Series Subbase

**Manifold Kits**



DX02 Series 2-Station Manifold



DX01 Series 2-Station Manifold



For inventory, lead time, and kit lookup, visit [www.pdnplu.com](http://www.pdnplu.com)

D207

**Parker Hannifin Corporation**  
 Pneumatic Division  
 Richland, Michigan  
[www.parker.com/pneumatics](http://www.parker.com/pneumatics)

**D**

Subbase & Manual Valves

H Series Micro

Moduflex Series

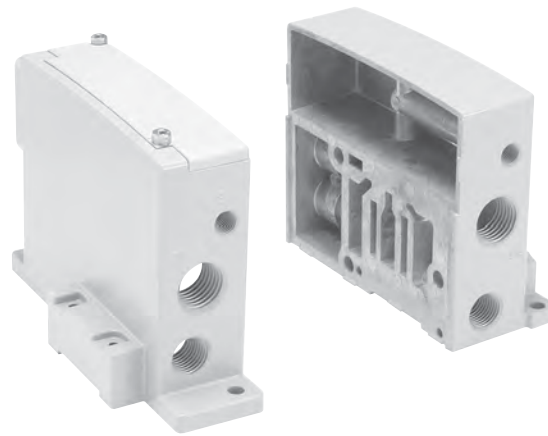
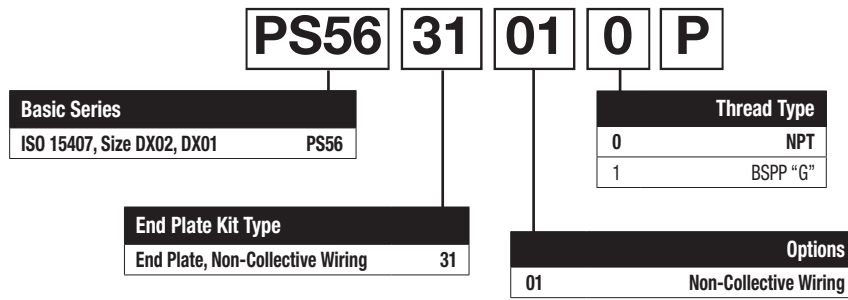
H Series ISO

Fieldbus Systems

DX ISOMAX Series

Valvair II Series

**15407-1, DX02 & DX01 End Plate Kits**



DX02 - DX01 Non-Collective Wiring End Plates

<b>D</b>
Subbase & Manual Valves
H Series Micro
Modulflex Series
H Series ISO
Fieldbus Systems
DX ISOMAX Series
Valvair II Series



For inventory, lead times, and kit lookup, visit [www.pdnplu.com](http://www.pdnplu.com)

D208

**Parker Hannifin Corporation**  
 Pneumatic Division  
 Richland, Michigan  
[www.parker.com/pneumatics](http://www.parker.com/pneumatics)

**Sandwich Regulators Features**

- Remote Air Pilot Operated for hard-to-reach pressure control.
- Unregulated Pilot Pressure to valve for consistent valve shifting regardless of pressure adjustment.

**PS5637 1 6 6 DX P**

Basic Series	
DX02	
15407-1, 18mm	PS5637
DX01	
15407-1, 26mm	PS5537

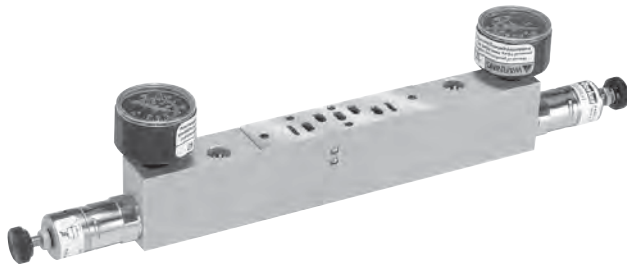
Regulator Function	
Common Pressure Regulator	1
Independent Pressure Regulator	2

#2 Port Regulator / Gauge*	
5	2-60 PSIG w/Gauge
6	5-125 PSIG w/Gauge

\* For Common Pressure Regulator Option, Regulator Gauge callout must be the same number for both Port #4 and Port #2. (Example: 166)

#4 Port Regulator / Gauge*	
5	2-60 PSIG w/Gauge
6	5-125 PSIG w/Gauge

\* For Common Pressure Regulator Option, Regulator Gauge callout must be the same number for both Port #4 and Port #2. (Example: 166)



**DX02**  
 (Independent Dual Port Regulator Shown)



**DX01**  
 (Common Port Regulator Shown)

**Remote Pilot Access Plate Kit**

Size	Port size	Part number	
		NPT	BSPP
26mm DX01	1/8"	PS551500P	PS551501P



For inventory, lead time, and kit lookup, visit [www.pdnplu.com](http://www.pdnplu.com)

**How To Order 15407-1 Non Plug-in Add-A-Fold Assemblies**

1. List Add-A-Fold Assembly call out. This automatically includes the end plate kit assembly.
2. List complete Valve, Regulator, Flow Control and Base model number. List left to right, LOOKING AT THE CYLINDER PORTS on the #12 end of the manifold. The left most station is station 1. (If a blank station is needed, list the blanking plate part number and the individual manifold number in the station specified.)

**Add-A-Fold Assembly Model Number**

**AA HBS 0 04**

Valve series	
Right & left end plate 15407-1 (HB 18mm & HA 26mm)	HBS†

† For use with PS5511 and PS5611 manifolds.

Thread type	
NPT	0
BSPP "G"	1*

\* BSPP conforms to ISO 1179-1 w  
 228-1 threads for end plate Type "S".

Number of stations*	
02	
04	
•	
24	
•	
32	

\* Must be ordered in multiples of (2)  
 unless using the HB/HA to H2  
 transition plate.

**Example**

Application requires a 4-Station manifold.  
 (Two 18mm + Two 26mm Stations)

Item	Qty.	Part No.	Location
01	1	AAHBS004	
02	1	DX02-651-951M	Station 1
03	1	DX02-651-951M	Station 2
04	1	PS5611510P	Station 1 & 2
05	2	DX01-606-951M	Station 3 & 4
06	1	PS5511510P	Station 3 & 4

**NOTE:** Construct manifold assemblies from left to right while looking at the ports.  
 Valves must be ordered as External Pilot when using Sandwich Regulator.

**D**

Subbase & Manual Valves

H Series Micro

Modulflex Series

H Series ISO

Fieldbus Systems

DX ISOMAX Series

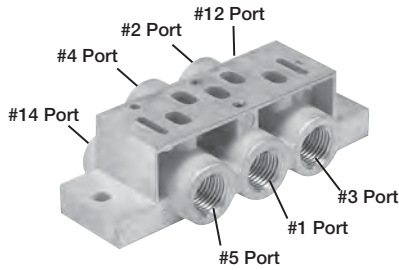
Valvair II Series



For inventory, lead times, and kit lookup, visit [www.pdnplu.com](http://www.pdnplu.com)

**DX02 Series Subbase & Manifolds**

**Single Subbase**

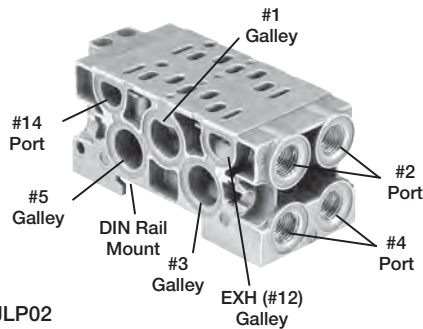


Side ported base  
18mm DX02

1/8" NPT	1/8" BSPP
<b>PL02-01-80</b>	<b>PL02-01-70</b>

Note: Can be used for external, single, or double remote pilot.

**2 Station Manifold Bases**



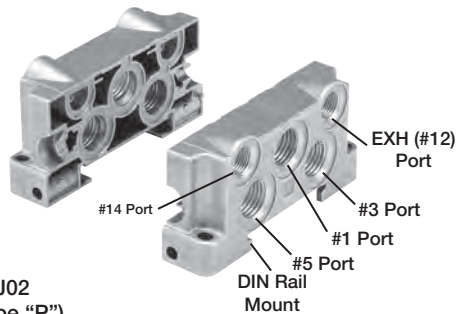
PJLP02

End ported bases  
18mm DX02

1/8" NPT	1/8" BSPP
<b>PJLP02-201-80</b>	<b>PJLP02-201-70</b>

Note: Can be used for external pilot, not remote pilot. Gaskets and assembly hardware included.

**End Plate Kit**



PEJ02  
(Type "P")

Side ported two station  
manifold base  
18mm DX02

1/8" NPT port	1/8" BSPP port
<b>PEJ02-02-80*</b>	<b>PEJ02-02-70</b>

\*Note: Put a vent or muffler in "EXH" port when capturing pilot exhaust pressure with a solenoid valve. (See gasket selector page for details. Gaskets and assembly hardware included. Torque Specifications: 25 to 35 in-lbs (2.82 to 3.95 Nm)

Most popular.



For inventory, lead time, and kit lookup, visit [www.pdnplu.com](http://www.pdnplu.com)

D211

**Parker Hannifin Corporation**  
Pneumatic Division  
Richland, Michigan  
[www.parker.com/pneumatics](http://www.parker.com/pneumatics)

**D**

Subbase & Manual  
Valves

H Series  
Micro

Moduflex  
Series

H Series  
ISO

Fieldbus  
Systems

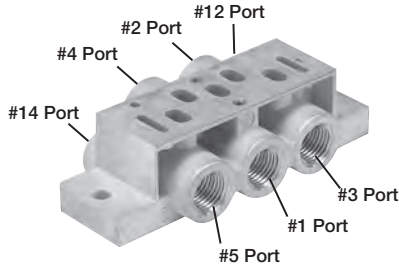
DX ISOMAX  
Series

Valvair II  
Series



**DX01 Series Subbase & Manifolds**

**Single Subbase**



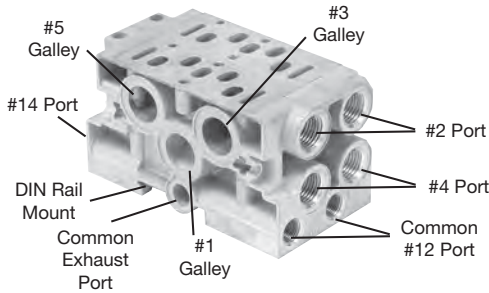
Side ported base  
26mm DX01

Part number

1/4" NPT	1/4" BSPP
<b>PL01-02-80</b>	<b>PL01-02-70</b>

Note: Can be used for external, single, or double remote pilot.

**2 Station Manifold Bases**

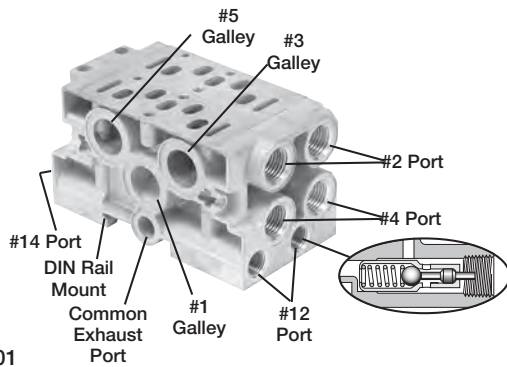


End ported bases  
26mm DX01

1/4" NPT	1/4" BSPP
<b>PJLP01-202-80</b>	<b>PJLP01-202-70</b>

Note: Can be used for single remote pilot using the #14 Port and external pilot. Gaskets and assembly hardware included.

PJLP01



End ported bases  
26mm DX01

1/4" NPT	1/4" BSPP
<b>PJL01-202-80</b>	<b>PJL01-202-70</b>

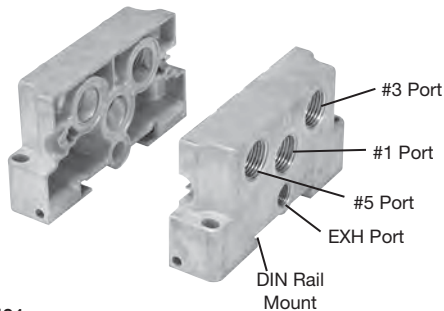
Notes: #12 ports work independently when plunger is not depressed by a plug. When a plug is inserted in #12 Port along with the captured pilot exhaust gasket selector option, pilot exhaust is sent to the Common Exhaust Port. Do Not plug exhaust, insert a vent of muffler.

Gaskets and assembly hardware included.

Can be used for external, single or double remote pilot.

PJL01

**End Plate Kit**



Side ported two station  
manifold base  
26mm DX01

1/4" NPT port	1/4" BSPP port
<b>PEJ01-03-80*</b>	<b>PEJ01-03-70</b>

\* Use with PJLP01 or PJL01

Notes: Put a vent or muffler in "EXH" port when capturing pilot exhaust pressure with a solenoid valve. See page J18 for gasket selector details. Gaskets and assembly hardware included. Torque Specifications: 25 to 35 in-lbs (2.82 to 3.95 Nm)

PEJ01

Most popular.



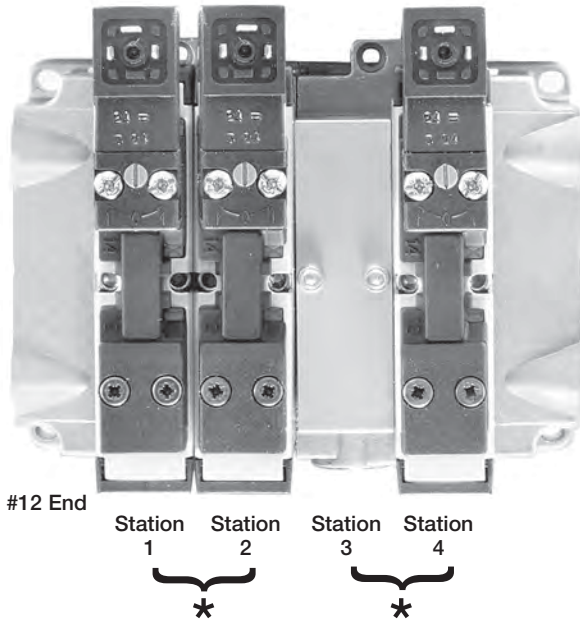
For inventory, lead times, and kit lookup, visit [www.pdnplu.com](http://www.pdnplu.com)

D212

**Parker Hannifin Corporation**  
Pneumatic Division  
Richland, Michigan  
[www.parker.com/pneumatics](http://www.parker.com/pneumatics)

**D**  
 Subbase & Manual  
 Valves  
 H Series  
 Micro  
 Modutefx  
 Series  
 H Series  
 ISO  
 Fieldbus  
 Systems  
 DX ISOMAX  
 Series  
 Valvair II  
 Series

#14 End



\* Each Manifold has two (2) Stations  
 (Even number of Stations Required)

**How To Order Add-A-Fold Assemblies**

1. List Add-A-Fold Assembly call out. This automatically includes the end plate kit assembly.
2. List complete valve/base model number. List left to right, looking at the cylinder ports on the #12 end of the manifold. The left most station is station 1.

(If a blank station is needed, list the blanking plate part number and the individual manifold number in the station specified.)

**Model Number**

**AA 02U 0 04**

Valve Series	
Right & Left End Plate 15407-1, DX01	01U†
Right & Left End Plate 15407-1, DX02	02U*
Right & Left End Plate 15407, DX01 & DX02	HBS*

\* Common End Plates for DX01 & DX02. For use with PS5 Manifolds.

\*\* For use with PJLP02 Manifolds.

† For use with PJLP01 or PJL01 Manifolds.

Number of Stations*	
02	2 Stations
04	4 Stations
•	
24	24 Stations
•	
32†	32 Stations

\* Must be ordered in multiples of 2.

† Maximum Number.

Port Type	
0	NPT
1	BSPP "G"

**Example:** Application requires a 3-Valve manifold.

Qty.	Part No.
1	AA02U004
1	DX02-651-951M ..... Valve Station 1
1	DX02-651-951M ..... Valve Station 2
1	PJLP02-201-80.....Base Station 1 & 2
1	DX02BLK ..... Valve Station 3
1	DX02-651-951M ..... Valve Station 4
1	PJLP02-201-80.....Base Station 3 & 4

Note: DX02 Manifolds cannot be used for remote pilot.



For inventory, lead time, and kit lookup, visit [www.pdnplu.com](http://www.pdnplu.com)

D213

**Parker Hannifin Corporation**  
 Pneumatic Division  
 Richland, Michigan  
[www.parker.com/pneumatics](http://www.parker.com/pneumatics)

**D**

Subbase & Manual Valves

H Series Micro

Moduflex Series

H Series ISO

Fieldbus Systems

DX ISOMAX Series

Valvair II Series

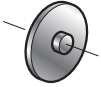
### Intermediate Air Supply Base



Size	Port size	Part number
18mm DX02	1/8" NPT	<b>D02P-01-80</b>
26mm DX01	1/4" NPT	<b>D01P-02-80</b>

Notes: Gasket & Mounting Bolts included.  
Torque Specifications  
Size 02: 15 to 25 in-lbs (1.69 to 2.82 Nm)  
Size 01: 20 to 30 in-lbs (2.26 to 3.39 Nm)

### Manifold Port Isolation Disc



Size		Part number
18mm DX02	Common Pressure	<b>D02BD0</b>
26mm DX01	Common Pressure	<b>D01BD0</b>

Notes: 3 Discs per Kit.  
Used on PJJ Manifolds.

### Blanking Plate



Size		Part number
18mm DX02	Common Pressure	<b>PS5634P</b>
26mm DX01	Common Pressure	<b>PS5534P</b>

Notes: Gasket & Mounting Bolts included.  
Torque Specifications  
Size 02: 15 to 25 in-lbs (1.69 to 2.82 Nm)  
Size 01: 20 to 30 in-lbs (2.26 to 3.39 Nm)

### Sandwich Flow Control Features

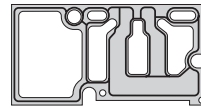


DX02  
18mm Shown

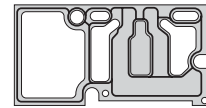
Size	Part number
18mm DX02	<b>PS5642P</b>
26mm DX01	<b>PS5542P</b>

- Both adjustment screws are located on the 12 end of the unit.
- Sandwich Flow Control mounts with its own studs, which means the valve uses standard bolts for mounting.
- Sandwich Flow Control is not to be used as a shut off device and is not bubble tight when needles are fully turned down.

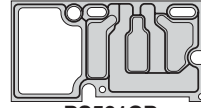
### Manifold to Manifold Gasket Kits



PS561AP



PS561BP



PS561CP



PS561DP



DX02M2MGSKT (PJLP02)

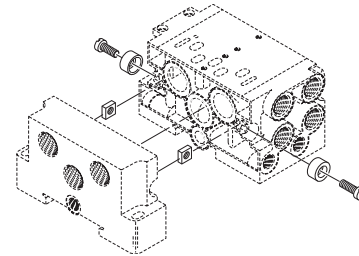


DX01M2MGSKT (PJLP01)

Size	Standard	Blocked #1 Port	Blocked #1, 3, 5 Ports	Blocked #3, 5 Ports
DX02* DX01*	PS561AP	PS561BP	PS561CP	PS561DP
DX02	DX02M2MGSKT (PJLP02)			
DX01	DX01M2MGSKT (PJLP01)			

\* Gaskets used with PS5611 & PS5511 Manifolds.

### Manifold Hardware Kits



Description	Part number
Bolt, Washer & Nut*	<b>DX02M2MB**</b>
Tie Rods for PS5611 Manifold (Qty. 12)	<b>PS5612P</b>
Tie Rods for PS5511 Manifold (Qty. 12)	<b>PS5512P</b>

\* Includes 10 Bolts, 10 Washers, 10 Nuts

\*\* Use this number for both sizes, PJLP02 & PJLP01.


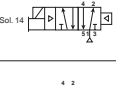

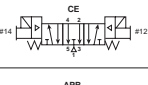
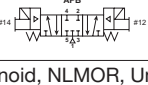
Torque Specifications: 25 to 35 in-lbs (2.82 to 3.95 Nm)

**D**  
 Subbase & Manual Valves  
 H Series Micro  
 Modutrex Series  
 H Series ISO  
 Fieldbus Systems  
 DX ISOMAX Series  
 Valvair II Series






For inventory, lead times, and kit lookup, visit [www.pdnplu.com](http://www.pdnplu.com)

**DX1 ISO Solenoid Valves**




Symbol	Type	Cv	Operator	Pilot	Override	24 VDC	120 VAC
 Sol. 14	4-way, 2-position, spring return	1.15	Single solenoid	Internal	Non-locking	<b>DX1-621-BL49</b>	<b>DX1-621-BL53</b>
					Locking	<b>DX1-621-CL49</b>	<b>DX1-621-CL53</b>
 Sol. 14	4-way, 2-position, air return	1.15	Single solenoid	Internal	Non-locking	<b>DX1-651-BL49</b>	<b>DX1-651-BL53</b>
					Locking	<b>DX1-651-CL49</b>	<b>DX1-651-CL53</b>
 Sol. 14	4-way, 2-position	1.15	Double solenoid	Internal	Non-locking	<b>DX1-606-BL49</b>	<b>DX1-606-BL53</b>
					Locking	<b>DX1-606-CL49</b>	<b>DX1-606-CL53</b>
 Sol. 14	4-way, 3-position, center exhaust	0.75	Double solenoid	Internal	Non-locking	<b>DX1-611-BL49</b>	<b>DX1-611-BL53</b>
					Locking	<b>DX1-611-CL49</b>	<b>DX1-611-CL53</b>
 Sol. 14	4-way, 3-position, all ports blocked	0.75	Double solenoid	Internal	Non-locking	<b>DX1-616-BL49</b>	<b>DX1-616-BL53</b>
					Locking	<b>DX1-616-CL49</b>	<b>DX1-616-CL53</b>

30mm 3-Pin Solenoid, NLMOR, Unlighted, Internal Pilot, Valve Less Base


**DX1 ISO Remote Pilot Valves**

Symbol	Type	Cv	Operator	Pilot	Part number
 #14	4-way, 2-position, spring return	1.15	Single remote pilot	Remote	<b>DX1-421-60</b>
					<b>DX1-451-60</b>
 #14	4-way, 2-position, air return	1.15	Single remote pilot	Remote	<b>DX1-406-60</b>
					<b>DX1-411-60</b>
 #14	4-way, 3-position, center exhaust	0.75	Double remote pilot	Remote	<b>DX1-416-60</b>
					<b>DX1-416-60</b>

**DX1 Series Subbase & Manifolds**

Single subbase	Description	3/8" NPT	3/8" BSPP
	Side ported base	<b>PS4011150DP</b>	<b>PS4011160DP</b>
Manifold bases	Description	3/8" NPT	3/8" BSPP
	End ported bases	<b>PS4011550DP</b>	<b>PS4011560CP</b>
	Bottom / End ported bases	<b>PS4011650CP</b>	<b>PS4011660CP</b>
End plate kits	Description	NPT port	BSPP port
	DX1 non-collective wiring end plates	<b>PS4031010CP</b>	<b>PS4031011DP</b>

**5599-1, DX1 Accessories**

Accessories	Description	Part number
Sandwich regulator 	Common pressure	5-125 PSIG w/ gauge <b>PS4037166CP</b>
	Independent pressure	5-125 PSIG w/ gauge <b>PS4037266CP</b>
Manifold to manifold gasket kit		<b>PS4013P</b>
Auxiliary access plate kit	1/4" & 3/8"	NPT <b>PS403000CP</b>
		BSPP <b>PS403001CP</b>

 Most popular.



For inventory, lead time, and kit lookup, visit [www.pdnplu.com](http://www.pdnplu.com)

D215

Parker Hannifin Corporation  
Pneumatic Division  
Richland, Michigan  
[www.parker.com/pneumatics](http://www.parker.com/pneumatics)

D

Subbase & Manual Valves

H Series Micro

Modulflex Series

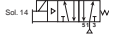
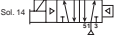

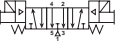
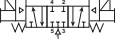
H Series ISO

Fieldbus Systems


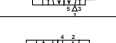
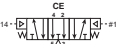
DX ISOMAX Series

Valvair II Series




**DX2 ISO Valves**

Symbol	Type	Cv	Operator	Pilot	Override	24 VDC	120 VAC
	4-way, 2-position, spring return	2.5	Single solenoid	Internal	Non-locking	<b>DX2-621-BL49</b>	<b>DX2-621-BL53</b>
					Locking	<b>DX2-621-CL49</b>	<b>DX2-621-CL53</b>
	4-way, 2-position, air return	2.5	Single solenoid	Internal	Non-locking	<b>DX2-651-BL49</b>	<b>DX2-651-BL53</b>
					Locking	<b>DX2-651-CL49</b>	<b>DX2-651-CL53</b>
	4-way, 2-position	2.5	Double solenoid	Internal	Non-locking	<b>DX2-606-BL49</b>	<b>DX2-606-BL53</b>
					Locking	<b>DX2-606-CL49</b>	<b>DX2-606-CL53</b>
	4-way, 3-position, center exhaust	2.4	Double solenoid	Internal	Non-locking	<b>DX2-611-BL49</b>	<b>DX2-611-BL53</b>
					Locking	<b>DX2-611-CL49</b>	<b>DX2-611-CL53</b>
	4-way, 3-position, all ports blocked	2.4	Double solenoid	Internal	Non-locking	<b>DX2-616-BL49</b>	<b>DX2-616-BL53</b>
					Locking	<b>DX2-616-CL49</b>	<b>DX2-616-CL53</b>


**DX2 ISO Remote Pilot Valves**

Symbol	Type	Cv	Operator	Pilot	Part number
	4-way, 2-position, spring return	2.5	Single remote pilot	Remote	<b>DX2-421-60</b>
					<b>DX2-451-60</b>
	4-way, 2-position, air return	2.5	Single remote pilot	Remote	<b>DX2-406-60</b>
					<b>DX2-411-60</b>
	4-way, 3-position, center exhaust	2.4	Double remote pilot	Remote	<b>DX2-416-60</b>
					<b>DX2-416-60</b>

**DX2 Series Subbase & Manifolds**

Single subbase	Description	1/2" NPT	1/2" BSPP
	Side ported base	<b>PS4111170CP</b>	<b>PS4111180CP</b>
	Manifold bases	1/2" NPT	1/2" BSPP
	Bottom / End ported bases	<b>PS4111670CP</b>	<b>PS4111680CP</b>
	<b>Note:</b> Manifolds include 2 pipe plugs		
End plate kits	Description	NPT port	BSPP port
	H2 Non-collective wiring end plates	<b>PS4131010DP</b>	<b>PS4131011DP</b>

**5599-1, DX2 Accessories**

Accessories	Description	Part number
	Common pressure 5-125 PSIG w/ gauge	<b>PS4137166CP</b>
	Independent pressure 5-125 PSIG w/ gauge	<b>PS4137266CP</b>
Manifold to manifold gasket kit		<b>PS4113P</b>

 Most popular.





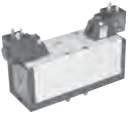
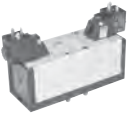
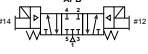
For inventory, lead times, and kit lookup, visit [www.pdnplu.com](http://www.pdnplu.com)

D216




**Parker Hannifin Corporation**  
 Pneumatic Division  
 Richland, Michigan  
[www.parker.com/pneumatics](http://www.parker.com/pneumatics)

**D**  
 Subbase & Manual Valves  
 H Series Micro  
 Modutrex Series  
 H Series ISO  
 Fieldbus Systems  
 DX ISOMAX Series  
 Valvair II Series




**DX3 ISO Valves**

Symbol	Type	Cv	Operator	Pilot	Override	24 VDC	120 VAC
 Sol. 14	4-way, 2-position, spring return	4.15	Single solenoid	Internal	Non-locking	<b>DX3-621-BL49</b>	<b>DX3-621-BL53</b>
					Locking	<b>DX3-621-CL49</b>	<b>DX3-621-CL53</b>
 Sol. 14	4-way, 2-position, air return	4.15	Single solenoid	Internal	Non-locking	<b>DX3-651-BL49</b>	<b>DX3-651-BL53</b>
					Locking	<b>DX3-651-CL49</b>	<b>DX3-651-CL53</b>
 Sol. 14 Sol. 12	4-way, 2-position	4.15	Double solenoid	Internal	Non-locking	<b>DX3-606-BL49</b>	<b>DX3-606-BL53</b>
					Locking	<b>DX3-606-CL49</b>	<b>DX3-606-CL53</b>
 CE #14 #12	4-way, 3-position, center exhaust	4.0	Double solenoid	Internal	Non-locking	<b>DX3-611-BL49</b>	<b>DX3-611-BL53</b>
					Locking	<b>DX3-611-CL49</b>	<b>DX3-611-CL53</b>
 APB #14 #12	4-way, 3-position, all ports blocked	4.0	Double solenoid	Internal	Non-locking	<b>DX3-616-BL49</b>	<b>DX3-616-BL53</b>
					Locking	<b>DX3-616-CL49</b>	<b>DX3-616-CL53</b>


**DX3 ISO Remote Pilot Valves**

Symbol	Type	Cv	Operator	Pilot	Part number
 #14 #12	4-way, 2-position, spring return	4.15	Single remote pilot	Remote	<b>DX3-421-60</b>
					4-way, 2-position, air return
 #14 #12	4-way, 2-position	4.15	Double remote pilot	Remote	<b>DX3-406-60</b>
					4-way, 3-position, center exhaust
 APB #14 #12	4-way, 3-position, all ports blocked	4.0	Double remote pilot	Remote	<b>DX3-416-60</b>

**DX3 Series Subbase & Manifolds**

Single subbase	Description	3/4" NPT	3/4" BSPP
	Side ported base	<b>PS4211190CP</b>	<b>PS4211100CP</b>
Manifold bases	Description	3/4" NPT	3/4" BSPP
	Bottom / End ported bases <b>Note:</b> Manifolds include 2 pipe plugs	<b>PS4211690CP</b>	<b>PS4211600CP</b>
End plate kits	Description	NPT port	BSPP port
	H3 Non-collective wiring end plates	<b>PS4231010DP</b>	<b>PS4231011DP</b>

**5599-1, DX3 Accessories**

Accessories	Description	Part number
Sandwich regulator 	Common pressure 5-125 PSIG w/ gauge	<b>PS4237166CP</b>
	Independent pressure 5-125 PSIG w/ gauge	<b>PS4237266CP</b>
Manifold to manifold gasket kit		<b>PS4213P</b>

 Most popular.



For inventory, lead time, and kit lookup, visit [www.pdnplu.com](http://www.pdnplu.com)

D217

**Parker Hannifin Corporation**  
Pneumatic Division  
Richland, Michigan  
[www.parker.com/pneumatics](http://www.parker.com/pneumatics)

**D**

Subbase & Manual Valves

H Series Micro

Modulflex Series

H Series ISO

Fieldbus Systems

DX ISOMAX Series

Valvair II Series



**DX1**

**6**

**21**

**B**

**L**

**53**

Basic Series	
ISO 5599-1	DX1 - Size 1
ISO 5599-1	DX2 - Size 2
ISO 5599-1	DX3 - Size 3

Pilot	
Air Operated Remote Pilot	4
Solenoid Operated	6

Voltage & Frequency			
	AC		DC
	60Hz	50Hz	
19*			24
49			24
53	120	110	
Blank	Remote Pilot or Valve Less Coil		

\* LED & Surge Suppression.  
 Only Available with Enclosure "6".

Function	
Internal Pilot Supply	
2-Position, Spring Return, Air Assist	21
2-Position, Diff Return	51
2-Position	06
3-Position, CE	11
3-Position, APB	16
3-Position, PC	13*
External Pilot Supply†	
2-Position, Spring Return, Air Assist	22
2-Position, Diff Return	53
2-Position	08
3-Position, CE	12
3-Position, APB	18
3-Position, PC	24*

\* Not offered with DX3 Valves.  
 † Must be specified when using Sandwich Regulators.

5599-1 Enclosure / Lead Length / Light	
0**	None, Remote Pilot Valve
6*	2-Pin, M12 EURO Connector with CNOMO Operator, Light
L	3-Pin, 30mm DIN 43650A with CNOMO Connector, No Light
P	3-Pin, 22mm Industrial with CNOMO Connector, No Light
N†	None, Valve Less Coil, No Light

\* Only available with Voltage & Frequency "19".

\*\*Must use Overrides Option "6".

† Must use Overrides Option "B" or "C".

5599-1 Overrides	
6	Remote Pilot / Without Solenoid
B	Non-Locking, Flush, Push
C	Locking, Flush, Push / Turn

**D**

Subbase & Manual Valves

H Series Micro

Modulflex Series

H Series ISO

Fieldbus Systems

DX ISOMAX Series

Valvair II Series



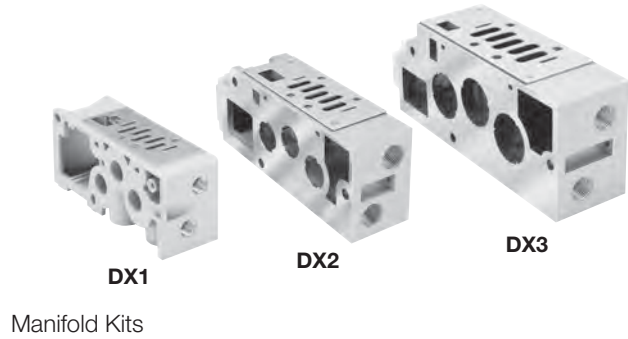
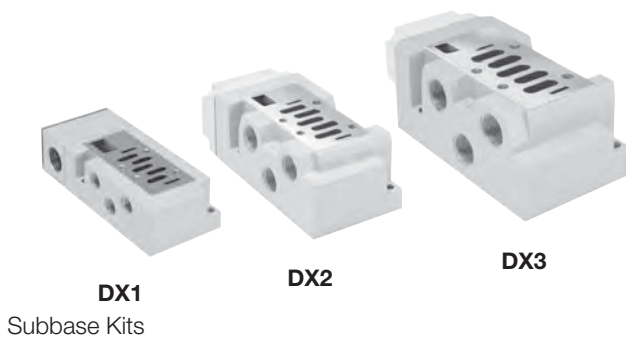
For inventory, lead times, and kit lookup, visit [www.pdnplu.com](http://www.pdnplu.com)

**5599-1, DX1, DX2 & DX3 Hi-Flow Manifold / Subbase Kits**

**PS401155** **0** **C** **P**

**Enclosures / Lead Length**  
**0** None, No Electrical Plug - 5599-1

Mounting Base Style / Port Size		DX2 Series		DX3 Series	
DX1 Series		DX2 Series		DX3 Series	
Subbase: 3/8 NPT Side Ports	<b>PS401115</b>	Subbase: 1/2 NPT Side Ports	<b>PS411117</b>	Subbase: 3/4 NPT Side Ports	<b>PS421119</b>
Subbase: 3/8 BSPP Side Ports	PS401116	Subbase: 1/2 BSPP Side Ports	PS411118*	Subbase: 3/4 BSPP Side Port	PS421110*
<b>Manifold: 3/8 NPT End Ports</b>	<b>PS401155</b>	Subbase: 1/2 NPT Bottom / End Port	PS411127	Subbase: 3/4 NPT Bottom / End Port	PS421129
Manifold: 3/8 BSPP End Ports	PS401156*	Subbase: 1/2 BSPP Bottom / End Port	PS411128*	Subbase: 3/4 BSPP Bottom / End Port	PS421120*
Manifold: 3/8 NPT Bottom / End Port	PS401165†	<b>Manifold: 1/2 NPT End Port</b>	<b>PS411157</b>	<b>Manifold: 3/4 NPT End Port</b>	<b>PS421159</b>
Manifold: 3/8 BSPP Bottom / End Port	PS401166*†	Manifold: 1/2 BSPP End Ports	PS411158*	Manifold: 3/4 BSPP End Port	PS421150*
* BSPP Conforms to ISO 1179-1 w 228-1 Threads.		Manifold: 1/2 NPT Bottom / End Port	PS411167	Manifold: 3/4 NPT Bottom / End Port	PS421169
† #1 Bottom Port - 1/4".		Manifold: 1/2 BSPP Bottom / End Port	PS411168*	Manifold: 3/4 BSPP Bottom / End Port	PS421160*



<b>D</b>
Subbase & Manual Valves
H Series Micro
Moduflex Series
H Series ISO
Fieldbus Systems
<b>DX ISOMAX Series</b>
Valvair II Series



For inventory, lead time, and kit lookup, visit [www.pdnplu.com](http://www.pdnplu.com)

**Non-Plug-in, 5599-1, End Plate Kits**

**PS403101 0 C P**

Basic Series	
ISO 5599, Size 1	PS403101
ISO 5599, Size 2	PS413101
ISO 5599, Size 3	PS423101

Thread Type	
0	NPT
1*	BSP "G"

\* BSP Conforms to ISO 1179-1 w 228-1 Threads.



**H1 Non-Collective Wiring End Plates**

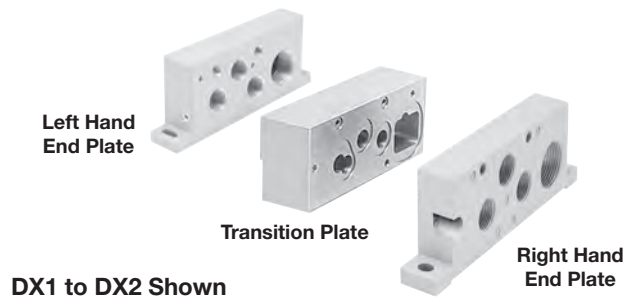
**5599-1, DX1, DX2 & DX3 Transition Plate Kits for PS4 Manifolds**

**PS402701 0 C P**

Transition Plate Type	
DX1 to DX2 to DX3	PS402501
DX1 to DX3	PS402601
DX1 to DX2	PS402701
DX2 to DX3	PS402801

Engineering Level	
C	Current

Thread Type	
0	NPT
1	BSP "G"



**Left Hand End Plate**

**Transition Plate**

**Right Hand End Plate**

**DX1 to DX2 Shown**

- D
- Subbase & Manual Valves
- H Series Micro
- Modulflex Series
- H Series ISO
- Fieldbus Systems
- DX ISOMAX Series
- Valvair II Series



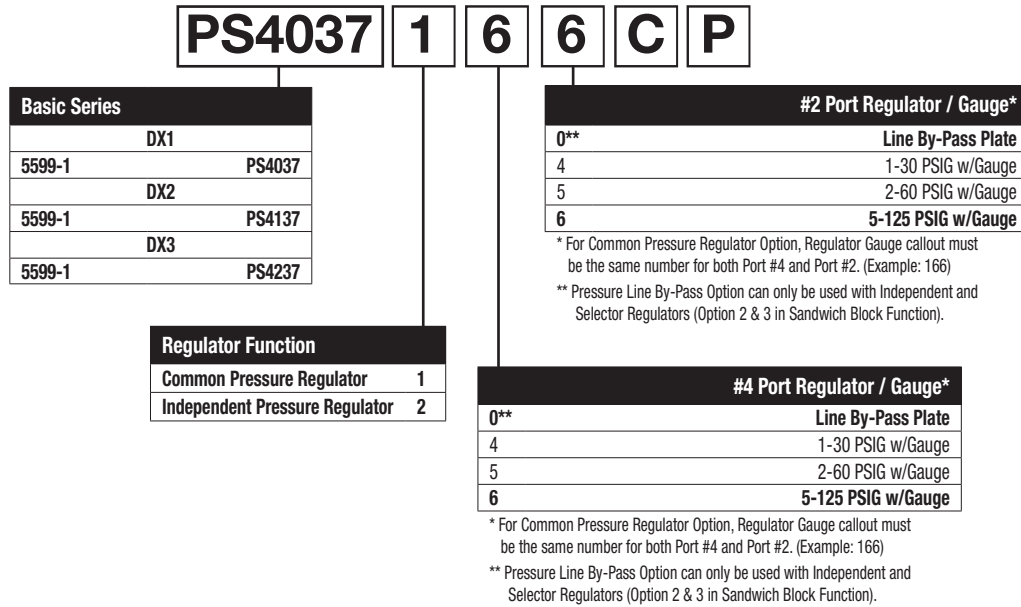
For inventory, lead times, and kit lookup, visit [www.pdnplu.com](http://www.pdnplu.com)

D220

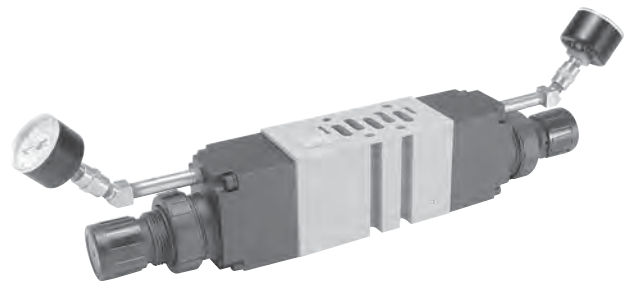
**Parker Hannifin Corporation**  
 Pneumatic Division  
 Richland, Michigan  
[www.parker.com/pneumatics](http://www.parker.com/pneumatics)

**Sandwich Regulators Features**

- Remote Air Pilot Operated for hard-to-reach pressure control.
- Unregulated Pilot Pressure to valve for consistent valve shifting regardless of pressure adjustment.



**DX1 - Size 1**  
 (Independent Dual Port Regulator Shown)



**DX2 - Size 2**  
 (Independent Dual Port Regulator Shown)

**Ordering Components**

- Manifold or Subbase Kit required.
- Sandwich Regulator Kit configured for Internal Pilot as standard.
- Order valve as External Pilot.

**How to Configure Sandwich Regulator / Valve Combinations**

**Internal Pilot Configuration -**

Pressure in Base Port 1 feeds regulator configured for Internal Pilot which feeds valve configured for External Pilot.

**External Pilot Configuration - DX1, DX2, DX3**

An External Pilot pressure in Port 12 or 14 of the base feeds thru the Sandwich Regulator 12 or 14 galley directly to the 12/14 pilot of the valve. This configuration takes an External Pilot from the 12 port of the base and passes it thru the regulator to feed the 12 galley of the valve.



For inventory, lead time, and kit lookup, visit [www.pdnplu.com](http://www.pdnplu.com)

D221

**Parker Hannifin Corporation**  
 Pneumatic Division  
 Richland, Michigan  
[www.parker.com/pneumatics](http://www.parker.com/pneumatics)

**D**

Subbase & Manual Valves

H Series Micro

Moduflex Series

H Series ISO

Fieldbus Systems

DX ISOMAX Series

Valvair II Series

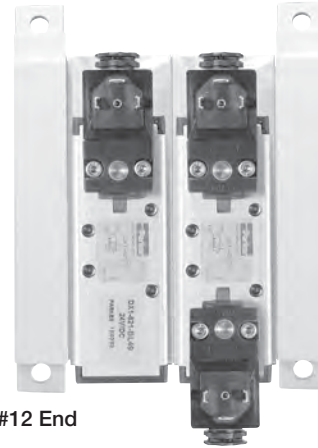
**How To Order Add-A-Fold Assemblies**

1. List Add-A-Fold Assembly call out. This automatically includes the end plate kit assembly.
2. List complete valve/base model number. List left to right, looking at the cylinder ports on the #12 end of the manifold. The left most station is station 1.  
 (If a blank station is needed, list the blanking plate part number and the individual manifold number in the station specified.)

**Example:** Application requires a 3-Station manifold.

Qty.	Part No.
1	AAH1S003
1	DX1-621-BL49..... Valve Station 1
1	PS4011550CP .....Base Station 1
1	DX1-616-BL49 ..... Valve Station 2
1	PS4011550CP .....Base Station 2
1	DX1-611-BL49 ..... Valve Station 3
1	PS4011550CP .....Base Station 3

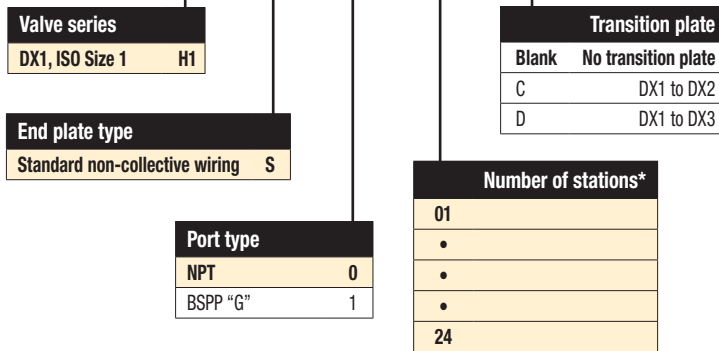
#14 End



#12 End

Station 1      Station 2

**AA H1 S 0 03 -**



**D**

Subbase & Manual Valves

H Series Micro

Modulflex Series

H Series ISO

Fieldbus Systems

DX ISOMAX Series

Valvair II Series

Most popular.



For inventory, lead times, and kit lookup, visit [www.pdnplu.com](http://www.pdnplu.com)

D222

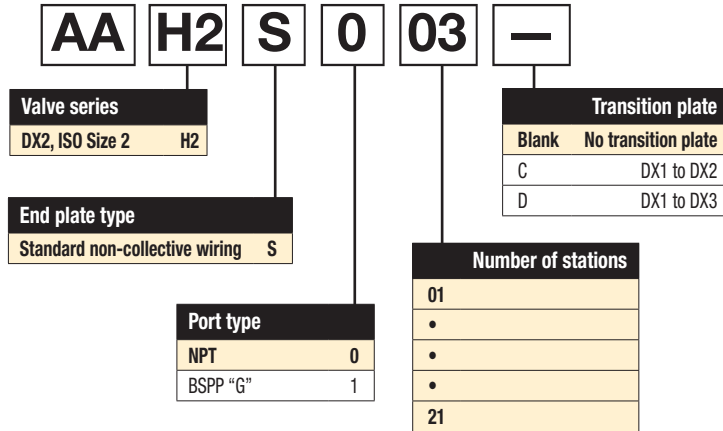
**Parker Hannifin Corporation**  
 Pneumatic Division  
 Richland, Michigan  
[www.parker.com/pneumatics](http://www.parker.com/pneumatics)

**How To Order Add-A-Fold Assemblies**

1. List Add-A-Fold Assembly call out. This automatically includes the end plate kit assembly.
2. List complete valve/base model number. List left to right, looking at the cylinder ports on the #12 end of the manifold. The left most station is station 1.  
 (If a blank station is needed, list the blanking plate part number and the individual manifold number in the station specified.)

**Example:** Application requires a 3-station manifold.

Qty.	Part No.
1	AAH2S003
1	DX2-621-BL49..... Valve Station 1
1	PS4111570CP.....Base Station 1
1	DX2-616-BL49 ..... Valve Station 2
1	PS4111570CP.....Base Station 2
1	DX2-611-BL49 ..... Valve Station 3
1	PS4111570CP.....Base Station 3



Most popular.



For inventory, lead time, and kit lookup, visit [www.pdnplu.com](http://www.pdnplu.com)

D223

**Parker Hannifin Corporation**  
 Pneumatic Division  
 Richland, Michigan  
[www.parker.com/pneumatics](http://www.parker.com/pneumatics)

<b>D</b>
Subbase & Manual Valves
H Series Micro
Moduflex Series
H Series ISO
Fieldbus Systems
DX ISOMAX Series
Valvair II Series

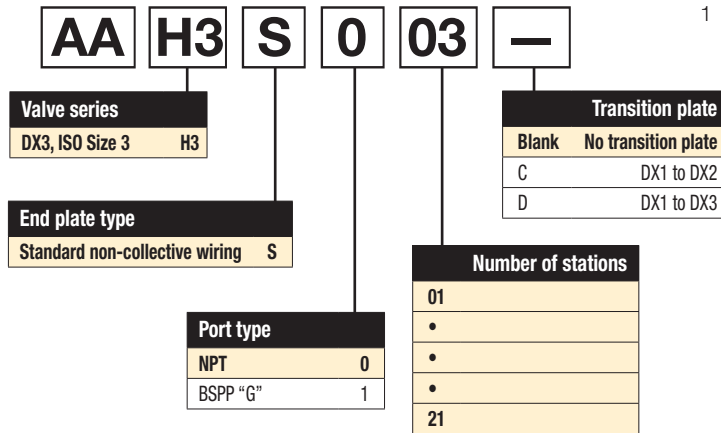


**How To Order Add-A-Fold Assemblies**

1. List Add-A-Fold Assembly call out. This automatically includes the end plate kit assembly.
2. List complete valve/base model number. List left to right, looking at the cylinder ports on the #12 end of the manifold. The left most station is station 1.  
 (If a blank station is needed, list the blanking plate part number and the individual manifold number in the station specified.)

**Example:** Application requires a 3-station manifold.

Qty.	Part No.
1	AAH3S003
1	DX3-621-BL49..... Valve Station 1
1	PS4111590CP .....Base Station 1
1	DX3-616-BL49 ..... Valve Station 2
1	PS4111590CP .....Base Station 2
1	DX3-611-BL49 ..... Valve Station 3
1	PS4111590CP .....Base Station 3




<b>D</b>	Subbase & Manual Valves
	H Series Micro
	Modulflex Series
	H Series ISO
	Fieldbus Systems
	DX ISOMAX Series
	Valvair II Series


Most popular.





For inventory, lead times, and kit lookup, visit [www.pdnplu.com](http://www.pdnplu.com)

5599-1 Compact Manifolds, Subbases & Accessories


Manifold VDMA – Form C			Part number	
	Bottom Port	Size	Port size	
		DX1	1/4"	BSPP G
		DX2	3/8"	P2N-VM512MB
		DX3	1/2"	P2N-WM513MB


VDMA End Plates – Form D			Part number	
		Size	Port size	
		DX1	3/8"	BSPP G
		DX2	1/2"	P2N-VM513ES
		DX3	1"	P2N-WM514ES

Subbase – Side Ports (5599-1 & VDMA)	Size	Port Size	5599-1 Part number		VDMA Part number
			NPT	BSPP “G”	BSPP “G”
	DX1	1/4"	PL1-1/4-80	PL1-1/4-70	P2N-VS512SD
	DX2	3/8"	PL2-3/8-80	PL2-3/8-70	P2N-WS513SD
	DX3	1/2"	PL3-1/2-80	PL3-1/2-70	P2N-YS514SD

Subbase – Bottom Ports	Size	Port size	5599-1 Part number	
			NPT	BSPP “G”
	DX1	1/4"	PD1-1/4-80	PD1-1/4-70
	DX2	3/8"	PD2-3/8-80	PD2-3/8-70

VDMA Transition Plate	Part number
 DX1 (Not Included) Transition Plate DX3 (Not Included)	P2N-VM500AK
	Kit includes: Transition Plate Only. Order P2N-VM513ES and P2N-YM518ES Separately to Assemble Add-A-Fold

External Seal Kit	Size	Part number
	DX1	JJDX10-A
	DX2	JJDX20-A
	DX3	JJDX30-A

Complete Seal Kit	Size	Part number
	DX1	JJDX15-A
	DX2	JJDX25-A
	DX3	JJDX35-A

D

Subbase & Manual Valves

H Series Micro

Modulflex Series

H Series ISO

Fieldbus Systems

DX ISOMAX Series

Valvair II Series



For inventory, lead time, and kit lookup, visit [www.pdnplu.com](http://www.pdnplu.com)

### Blanking Plate Kits



Size	Part number
DX1	<b>PS4034CP</b>
DX2	<b>PS4134CP</b>
DX3	<b>PS4234CP</b>

Kit includes:  
Blanking Plate, Gasket, and Mounting Bolts.

### Remote Pilot Access Plate Kits

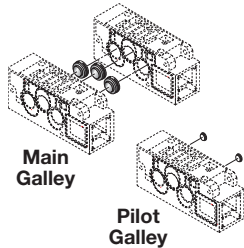


Size	Port Size	Part number	
		NPT	BSPP "G"
DX1	1/8"	<b>PS401500CP</b>	<b>PS401501CP</b>
DX2	1/8"	<b>PS411500CP</b>	<b>PS411501CP</b>
DX3	1/8"	<b>PS421500CP</b>	<b>PS421501CP</b>

Kit includes: Pilot Port Access Plate, Gasket and Mounting Studs.

### Manifold Port Isolation Kits

Main Galley (1, 3, 5)



Size	Part number	
	PS4 Manifolds	P2N Manifolds
DX1	<b>PS4032CP</b>	<b>P2N-VK0P</b>
DX2	<b>PS4132CP</b>	<b>P2N-WK0P</b>
DX3	<b>PS4232CP</b>	<b>P2N-YK0P</b>

Kit includes: Plugs with O-rings.

### Pilot Galley

Size	Part number
DX1, DX2, DX3	<b>PS4033CP</b>

Kit includes: Plugs with O-rings.  
For use with PS4 Series Manifolds.

### Sandwich Flow Controls Features



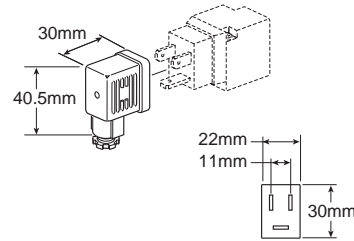
Size	Part number
DX1	<b>PS4042CP</b>
DX2	<b>PS4142CP</b>
DX3	<b>PS4242CP</b>

#### DX2 Shown

- Both adjustment screws are located on the 12 end of the unit.
- Sandwich Flow Control mounts with its own studs, which means the valve uses standard bolts for mounting.
- Sandwich Flow Control is not to be used as a shut off device and is not bubble tight when needles are fully turned down.

### 22mm Rectangular 3-Pin – Type B Industrial

(Use with Enclosure "B")



Description	Connector	Connector with 6' (2m) Cord
Unlighted	<b>PS2429BP</b>	<b>PS2429JBP</b>
Light – 24V/60Hz, 24VDC	<b>PS243079BP</b>	<b>PS2430J79BP*</b>
Light – 120V/60Hz	<b>PS243083BP</b>	<b>PS2430J83BP*</b>
Light – 240V/60Hz	<b>PS243087BP</b>	N/A

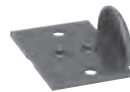
\* LED with surge suppression.

**Note:** Max  $\phi$ 6.5mm cable size required for connector w/o 6' (2m) cord. IP65 rated when properly installed.

#### Engineering Data:

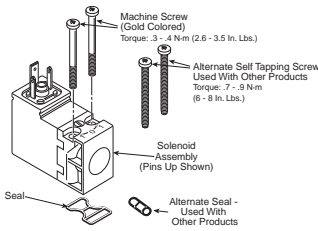
Conductors: 2 Poles Plus Ground; Cable Range (Connector Only): 6 to 8mm (0.24 to 0.31 Inch); Contact Spacing: 11mm

### CNOMO Operator Adapter



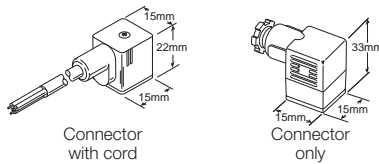
Size	Part number
DX1, DX2, DX3	<b>PS2855P</b>

### 15mm 3-Pin DIN 43650C Replacement Solenoid Kits



Voltage	Non-locking	Locking
24VDC	PS2982B49P	PS2982C49P
110/50, 120/60	PS2982B53P	PS2982C53P

### 15mm 3-Pin DIN 43650C Connectors



Description	Connector with 6' (2m) Cord	Connector
No circuit board	PS2932JBP	PS2932BP
Light - 24DC	PS2946J79BP*	PS294679BP
Light - 110/120VAC	PS2946J83BP*	PS294683BP

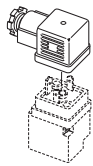
\* LED with surge suppression.

**Note:** Max. ø6.5mm cable size required for connector without 6' (2m) cord. IP65 rated when properly installed.

**Engineering Data:**

Conductors: 2 poles plus ground  
Cable range (Connector only): 4 to 6mm (0.16 to 0.24 Inch)  
Contact spacing: 8mm

### Female Electrical Connectors (IP65 Rated) 30mm, 3-Pin ISO 4400, (DIN 43650A)



Description	Connector with 6' (2m) cord	Connector
Unlighted	PS2028JCP	PS2028BP
Light - 6-48V, 50/60Hz; 6-48VDC	PS2032J79CP*	PS203279BP
Light - 120V/60Hz	PS2032J83CP*	PS203283BP
Light - 240V/60Hz	N/A	PS203283BP

\* With surge suppression.

**Engineering data:**

Conductors: 2 poles plus ground; cable range (connector only): 8 to 10mm (0.31 To 0.39 inch); Contact spacing: 18mm

### 5599-1 CNOMO Solenoid Kits

Voltage code	3-pin, 30mm 'L' coil kit	2-pin, M12 Euro '6' coil kit
19	—	PS2828619P
42	P2FCA442	—
45	P2FCA445	—
49	P2FCA449	—
53	P2FCA453	—
57	P2FCA457	—

Quantity 1

### Pilot Operator - CNOMO

Valve size	Kit number
DX1, DX2 & DX3	Locking PS4052CP
	Non-locking PS4053CP



For inventory, lead time, and kit lookup, visit [www.pdnplu.com](http://www.pdnplu.com)

D227

Parker Hannifin Corporation  
Pneumatic Division  
Richland, Michigan  
[www.parker.com/pneumatics](http://www.parker.com/pneumatics)

D

Subbase & Manual Valves

H Series Micro

Moduflex Series

H Series ISO

Fieldbus Systems

DX ISOMAX Series

Valvair II Series

**Ceramic Technology / Valve Specifications**

- Subbase Mounted Valves Conforming to ISO Standard 5599/1
- High Flow: DX1 (1.15 Cv), DX2 (2.50 Cv), DX3 (4.15 Cv)
- Air or Solenoid Operation Using CNOMO Solenoids
- Can Be Vacuum Operated

**Air Condition:**  
 Filtered to 40µ

**Dual Pressure Supply from Exhaust Ports:**  
 Yes - Without additional pressure at 12 and 14

**Dust and Water Protection:**  
 IP65 (According to EN 60529)

**Mechanical Life:**  
 > 100 million operations (Dry air filtered 40 µ, 2 Hz, 6 bar, 20°C)

**Media:**  
 Air or inert gas, filtered 40 µ (Class 5 according to ISO 8573-1), lubricated or non-lubricated

**Operating Temperature Range:**  
 -10°C to 60°C (14°F to 140°F)

**Flow Rating (Cv)**

Size	Port Size	Mounting Style	Flow Rating (Cv)	
			2-Position	3-Position
DX1	1/4" Ports	Subbase	1.15	0.75
	1/4" Ports	Manifold	0.80	0.60
DX2	3/8" Ports	Subbase	2.50	2.40
	3/8" Ports	Manifold	2.05	1.95
DX3	1/2" Ports	Subbase	4.15	4.00
	1/2" Ports	Manifold	4.10	3.65

Cv tested per ANSI / (NFPA) T3.21.3

**Flow Rating (Cv) with Sandwich Regulator**

Size	Common Pressure				Dual Pressure			
	1-2	1-4	2-3	4-5	1-2	1-4	2-3	4-5
DX1	0.55	0.49	1.06	1.02	0.32	0.42	0.25	0.38
DX2	1.06	1.05	2.33	2.17	0.93	0.66	0.77	1.15

Note: All Cv's calculated with regulator adjusted full open.

**Response Time\*\***

Single Solenoid 2-Position -  
 Air Return / Spring Assist

Size	Port Size	0 Cu. In. Chamber		## Cu. In. Chamber	
		Fill	Exhaust	Fill	Exhaust
DX1	1/4"	.025	.030	.160	.235
DX2	3/8"	.040	.045	.170	.235
DX3	1/2"	.060	.065	.245	.330

## DX1 (50), DX2 (100), DX3 (200)

\*\* With 100 PSIG supply, time required to fill from 0 to 90 PSIG and Exhaust from 100 PSIG to 10 PSIG measured from the instant of energizing or de-energizing 24VDC solenoid.

Tested per ANSI / (NFPA) T3.21.8

**Solenoid Information**

Code	Voltage			Power (W / VA)
	AC			
	60Hz	50Hz	DC	
19	—	—	24	2.8W
49	—	—	24	2.7W
53	120	115	—	3.7VA

Data tested with LED and Surge Suppression.

**Operating Pressure**

Vacuum to 145 PSIG (10 bar)

Function	M.O.P. (PSIG)		
	DX1	DX2	DX3
<b>Internal Pilot</b>			
21 2-Position, Spring Return	36	30	30
51 2-Position, Air Return	30	30	30
06 2-Position	15	15	15
11 3-Position, CE	45	36	36
16 3-Position, APB	45	36	36
13 3-Position, PC	45	36	—
<b>External Pilot</b>			
22 2-Position, Spring Return	36	30	30
53 2-Position, Air Return	30	30	30
08 2-Position	15	15	15
12 3-Position, CE	45	36	36
18 3-Position, APB	45	36	36
24 3-Position, PC	45	36	—

**D**

Subbase & Manual Valves

H Series Micro

Modulflex Series

H Series ISO

Fieldbus Systems

DX ISOMAX Series

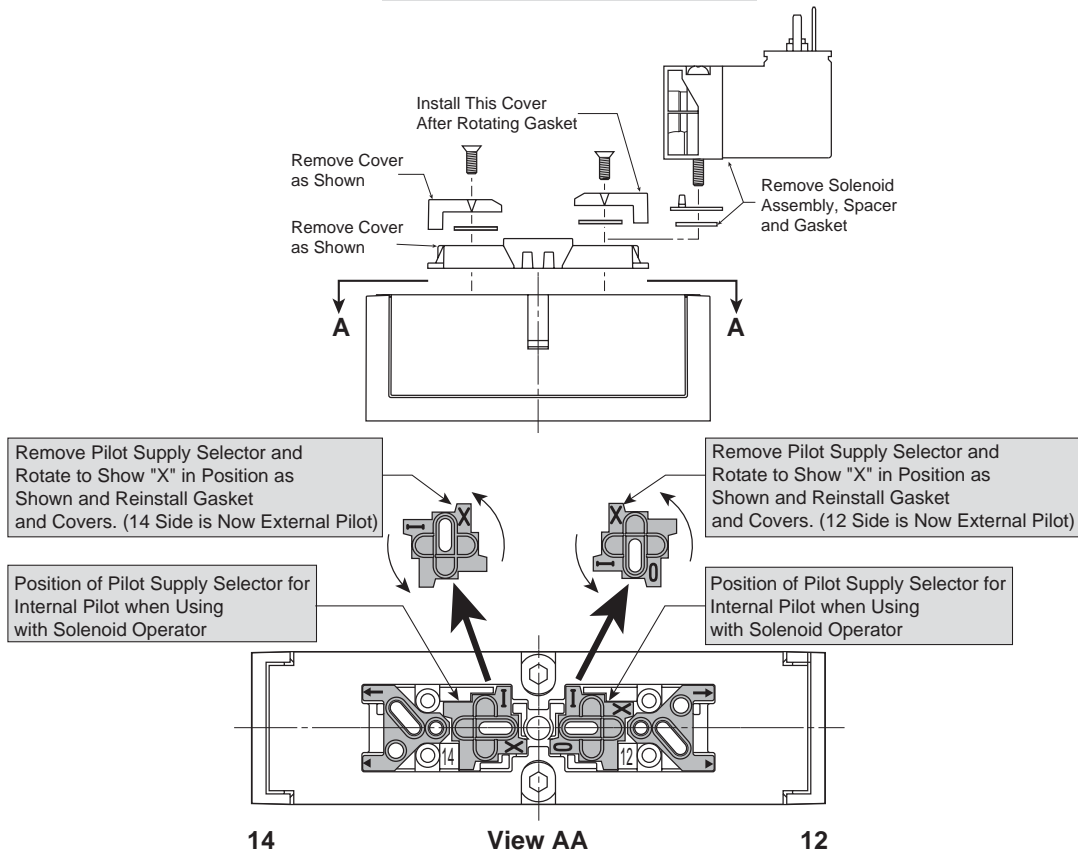
Valvair II Series



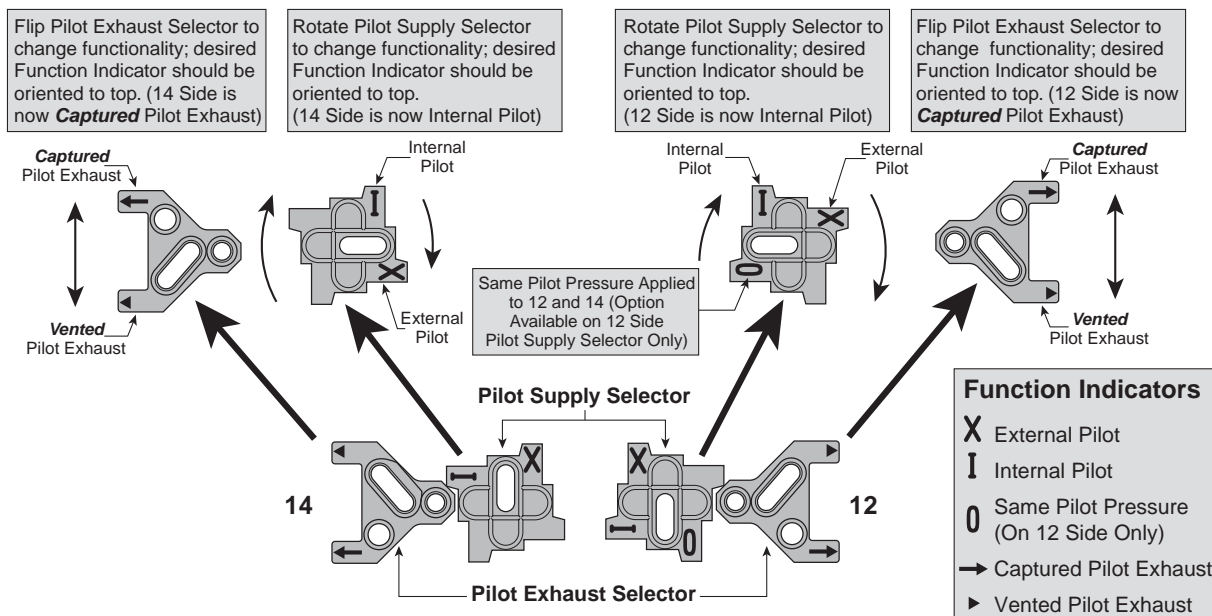
For inventory, lead times, and kit lookup, visit [www.pdnplu.com](http://www.pdnplu.com)

**DX ISOMAX Selector Gasket Conversion Instructions**

**Changing from Internal to External Pilot Supply**



**Changing from External Pilot Supply, Vented Pilot Exhaust to Internal Pilot Supply, Captured Pilot Exhaust**



For inventory, lead time, and kit lookup, visit [www.pdnplu.com](http://www.pdnplu.com)

D229

**Parker Hannifin Corporation**  
 Pneumatic Division  
 Richland, Michigan  
[www.parker.com/pneumatics](http://www.parker.com/pneumatics)

**D**

Subbase & Manual Valves

H Series Micro

Moduflex Series

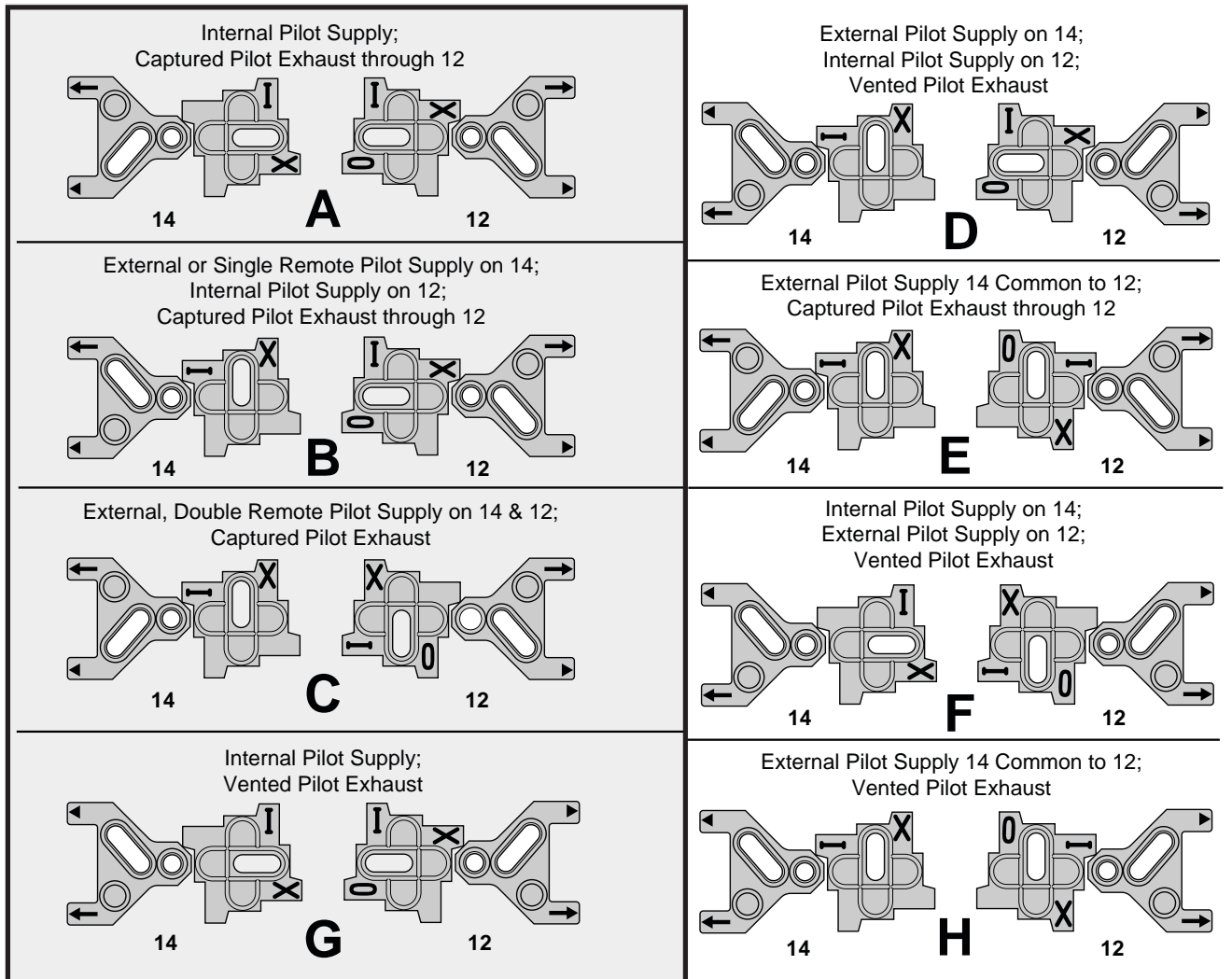
H Series ISO

Fieldbus Systems

**DX ISOMAX Series**

Valvair II Series





Base Pilot Port Used	None	14	14 and 12	None	14	14	12
Pilot Air Supply	Internal Pilot Supply	14 External Pilot 12 Internal Pilot	External, Double Remote Pilot for 14 and 12	Internal Pilot Supply	14 External Pilot 12 Internal Pilot	One Common External Pilot Pressure for 14 and 12	14 Internal Pilot 12 External Pilot
Pilot Exhaust	Captured	Captured	Captured	Vented	Vented	Captured	Vented
5/2 Double Solenoid	606 A	—	406 C	604 G	D	E	F
5/2 Single Solenoid	621	421	C	620	D	E	F
5/2 Double Solenoid, on Sandwich Regulator	—	—	—	—	External Pilot Supply 14 Common to 12 Vented Pilot Exhaust – See Diagram 'H'		
Spring Return	A	B	—	G	—	—	—
5/2 Single Solenoid, Differential Return	651 A	451 B	C	65 G	D	E	F
5/3 Pressure Center Exhaust	611 A	—	411 C	627 G	D	E	F
5/3 Pressure All Ports Blocked	616 A	—	416 C	625 G	D	E	F
<b>Part Numbers Available From Factory</b>					<b>See Gasket Configurations Above for These Special Adaptations</b>		

Insert a muffler or vent in the EXH Port of the PEJ02 & PEJ01 Manifold End Plates or #12 of PL02 & PL01 Subbases when using solenoids with a **Captured** Exhaust.

A plug may be inserted in the EXH Port of the PEJ02 & PEJ01 Manifold End Plates #14 or #12 of PL02 & PL01 Subbases when using a **Vented** Exhaust.

**D**  
 Subbase & Manual Valves  
 H Series Micro  
 Modutefx Series  
 H Series ISO  
 Fieldbus Systems  
 DX ISOMAX Series  
 Valvair II Series



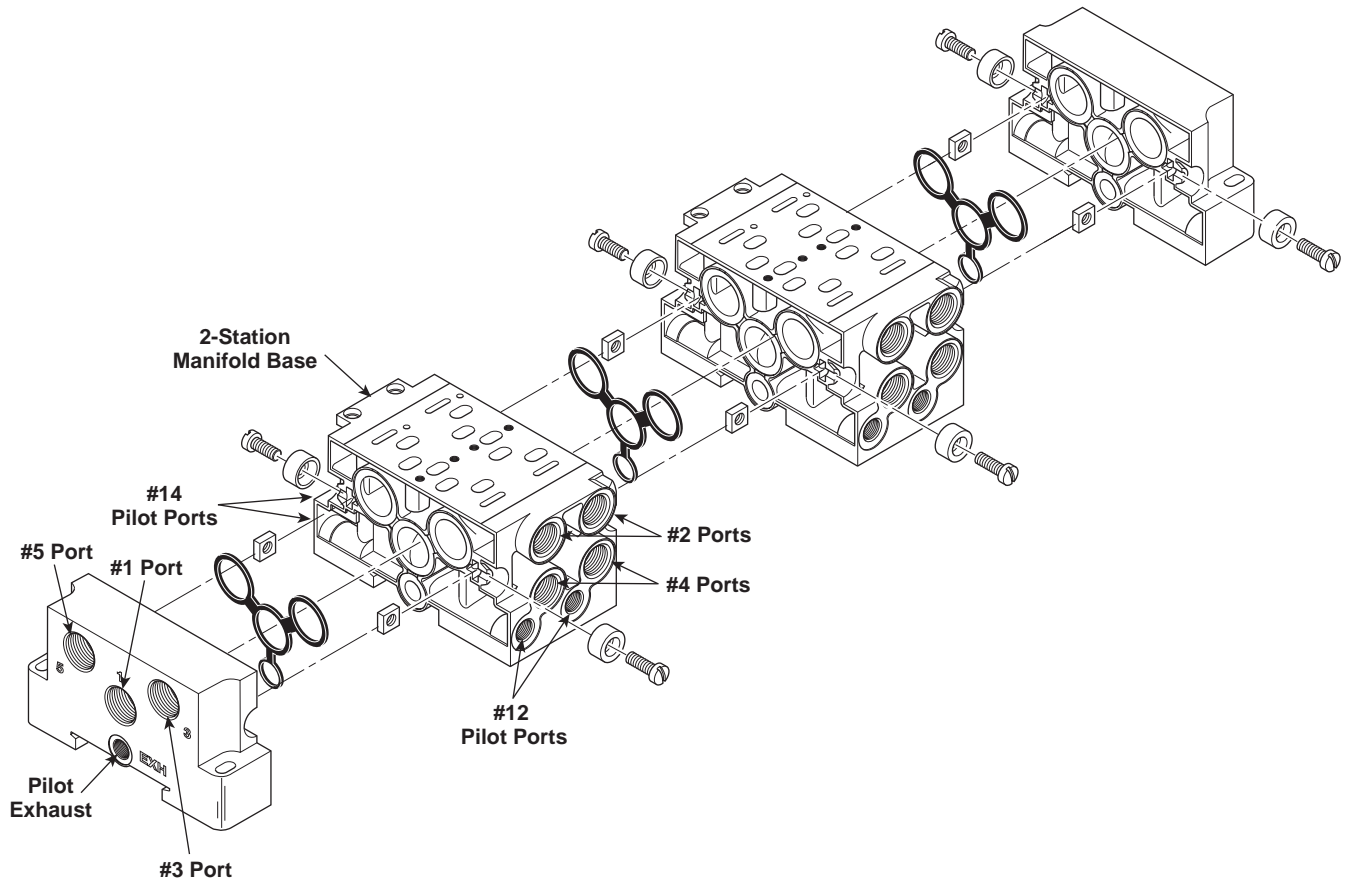
For inventory, lead times, and kit lookup, visit [www.pdnplu.com](http://www.pdnplu.com)

**DX01 Manifold Assembly**

**Ports**

- 1 ..... Pressure
- 2 ..... #2 Cylinder Port, 1 to 2 Flow Path
- 3 ..... Cylinder Exhaust Port, 2 to 3 Flow Path
- 4 ..... #4 Cylinder Port, 1 to 4 Flow Path
- 5 ..... Cylinder Exhaust Port, 4 to 5 Flow Path
- 14 ..... #14 Pilot Port
- 12 ..... #12 Pilot Port

Torque Specifications: 25 to 35 in-lbs (2.82 to 3.95 Nm)



**DX01 Shown**

**D**

Subbase & Manual Valves

H Series Micro

Moduflex Series

H Series ISO

Fieldbus Systems

DX ISOMAX Series

Valvair II Series



For inventory, lead time, and kit lookup, visit [www.pdnplu.com](http://www.pdnplu.com)

D231

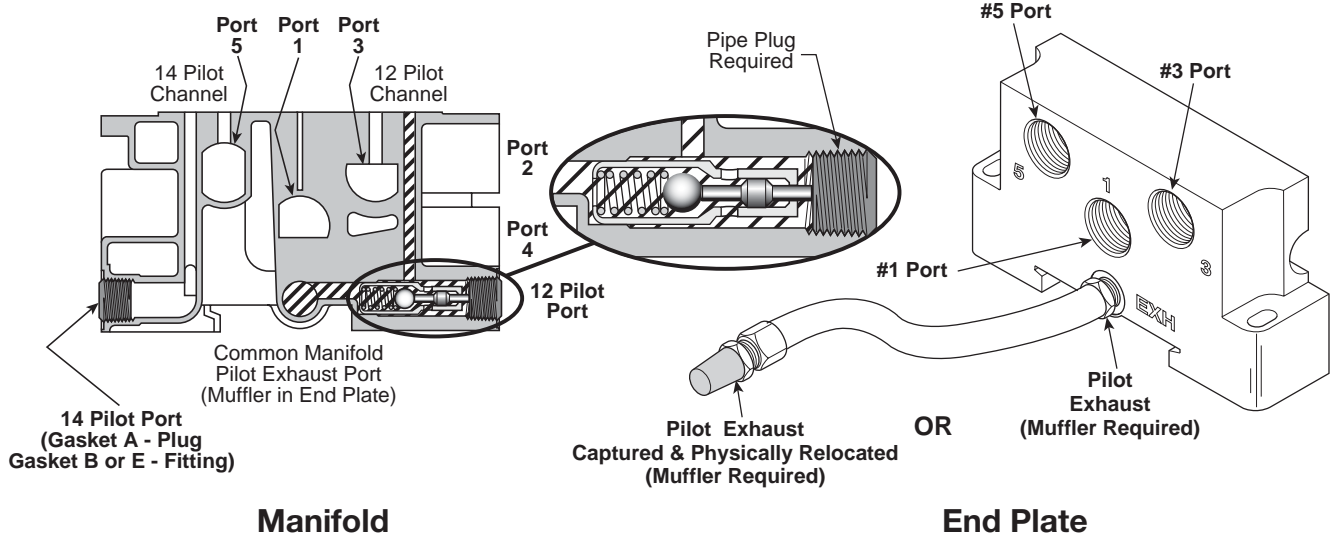
**Parker Hannifin Corporation**  
 Pneumatic Division  
 Richland, Michigan  
[www.parker.com/pneumatics](http://www.parker.com/pneumatics)

**DX 15407-1 Size 01, Manifold Conversion Instructions**

**Captured  
Pilot Exhaust**

**PJL01, Size 01**

A Built-in 2-Position Selector converts the External Pilot Channel (12) into a Common Solenoid Pilot Exhaust Channel.



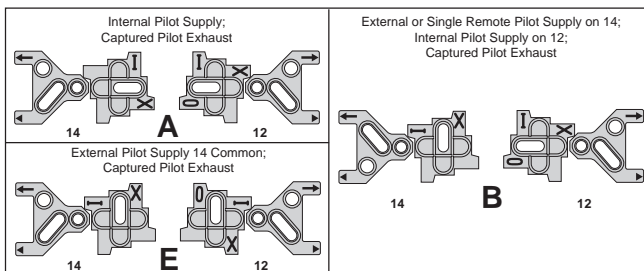
**Built-in Selector**

When using A, B or E **Captured** Selector Gasket Positions, the 12 Pilot Port is plugged. The 14 Pilot Port has a plug when using Gasket A or a fitting when using Gasket B or E. When in place, the Plug in the 12 Pilot Port depresses the Selector to connect the Valve Solenoid Pilot Exhaust to a Common Manifold Exhaust Port. The Plug must make contact with the Pin of the Internal Check Valve.

Insert a Muffler in the EXH Port of the End Plate.

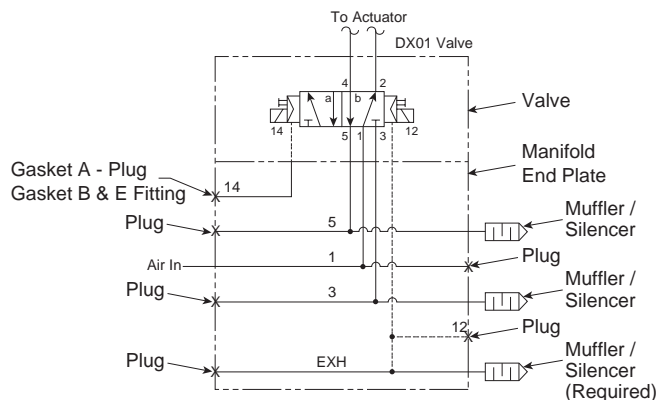
**Captured Selector Gasket Positions**

When using A, B or E Selector Gasket Positions as shown in the schematic at right.



Insert a muffler or vent in the EXH Port of the PEJ02 & PEJ01 Manifold End Plates or #12 of PL02 & PL01 Subbases when using solenoids with **Captured** Pilot Exhaust.

**DX01 Manifold Assembly Schematic for Captured Selector Gasket Positions A, B and E**



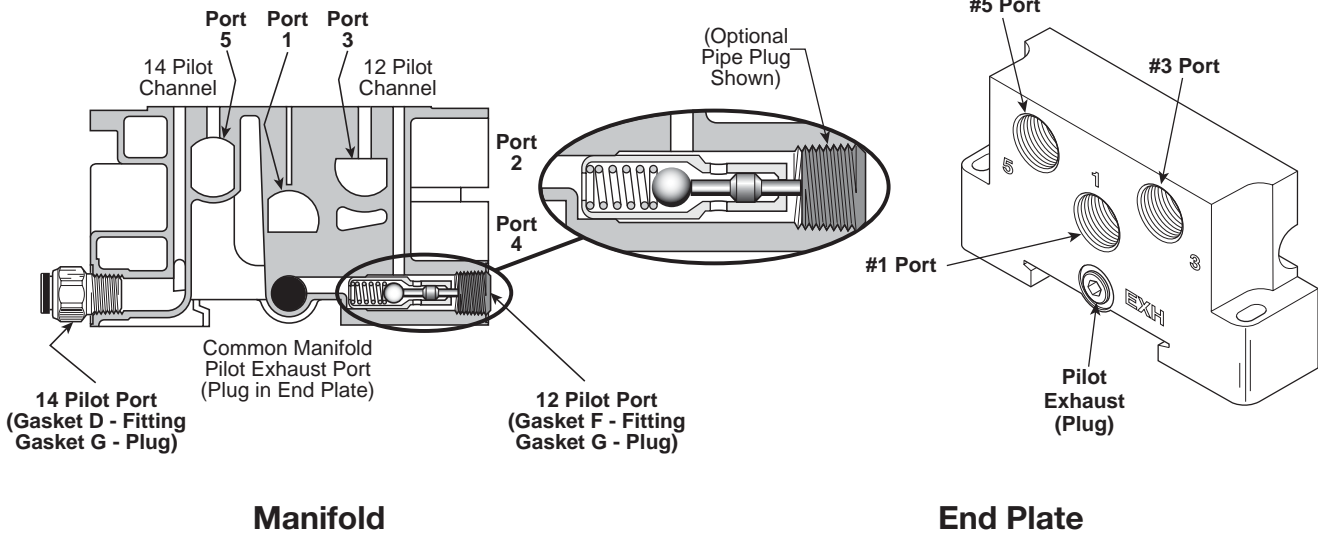
**D**  
Subbase & Manual Valves  
H Series Micro  
Modulflex Series  
H Series ISO  
Fieldbus Systems  
DX ISOMAX Series  
Valvair II Series



For inventory, lead times, and kit lookup, visit [www.pdnplu.com](http://www.pdnplu.com)

**DX 15407-1 Size 01, Manifold Conversion Instructions**

# Vented Pilot Exhaust



**Manifold**

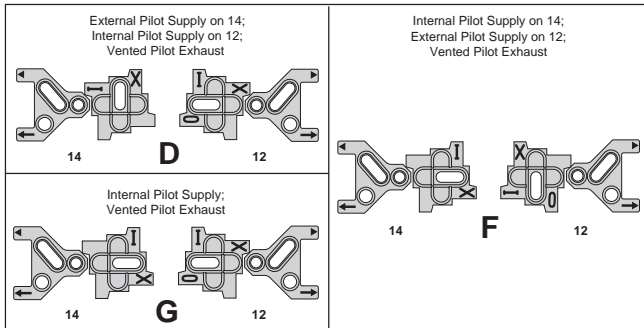
**End Plate**

## Built-in Selector

When using D or G **Vented** Selector Gasket Positions, the 12 Pilot Port may be plugged (Optional). The 14 Pilot Port has a plug when using Gasket G or a fitting when using Gasket D or F. The valve solenoid pilot exhaust vents out the pilot adapter on the G Gasket Selection.

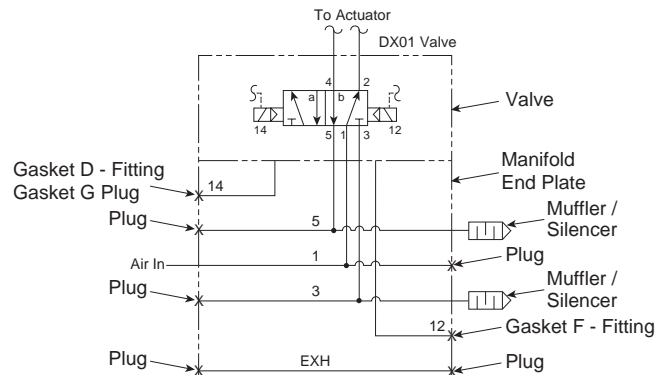
### Vented Selector Gasket Positions

When using D, F or G Selector Gasket Positions, pilot exhaust air is vented out the valve.



A plug may be inserted in the EXH Port of the PEJ02 & PEJ01 Manifold End Plates, #12 of PL02 & PL01 Subbases.

### DX01 Manifold Assembly Schematic for Vented Selector Gasket Positions D or G



For inventory, lead time, and kit lookup, visit [www.pdnplu.com](http://www.pdnplu.com)

D233

**Parker Hannifin Corporation**  
 Pneumatic Division  
 Richland, Michigan  
[www.parker.com/pneumatics](http://www.parker.com/pneumatics)

**D**

Subbase & Manual Valves

H Series Micro

Moduflex Series

H Series ISO

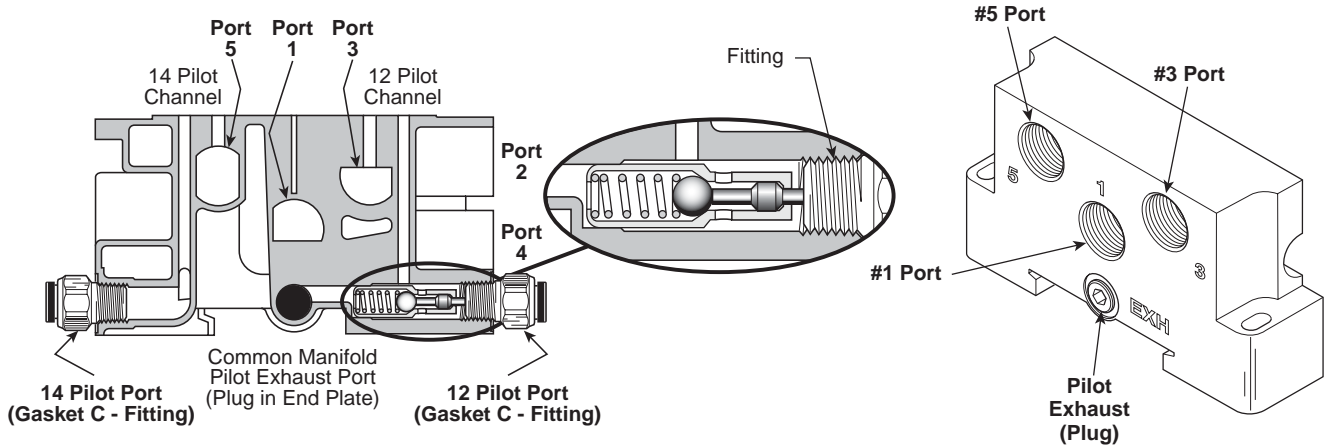
Fieldbus Systems

DX ISOMAX Series

Valvair II Series

**DX 15407-1 Size 01, Manifold Conversion Instructions**

**External Double Remote Pilot**

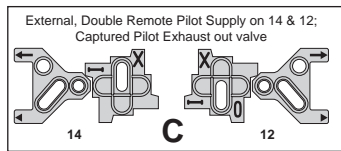


**Built-in Selector**

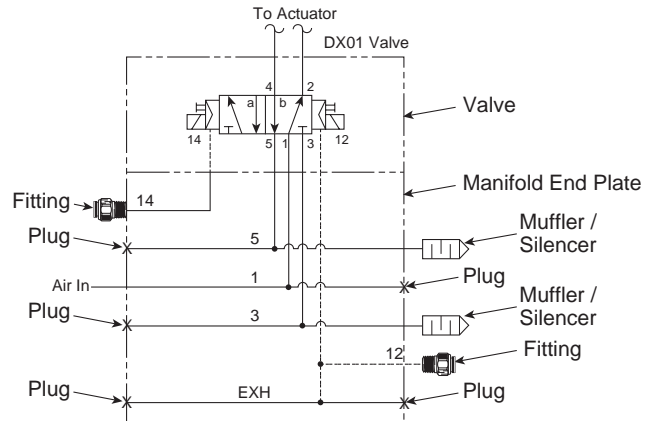
When using C **External Double Remote Pilot** Selector Gasket Position, a fitting is used in Pilot Port 14 & 12. Free flow between Port 14 & 12 and the valve allows Remote Pilot Pressure and an exhaust path for the captured pilot exhaust.

**External Double Remote Pilot Selector Gasket Position**

When using C Selector Gasket Position.



**DX01 Manifold Assembly Schematic for External Double Remote Pilot Selector Gasket Position C**



**D**

Subbase & Manual Valves

H Series Micro

Modulflex Series

H Series ISO

Fieldbus Systems

DX ISOMAX Series

Valvair II Series



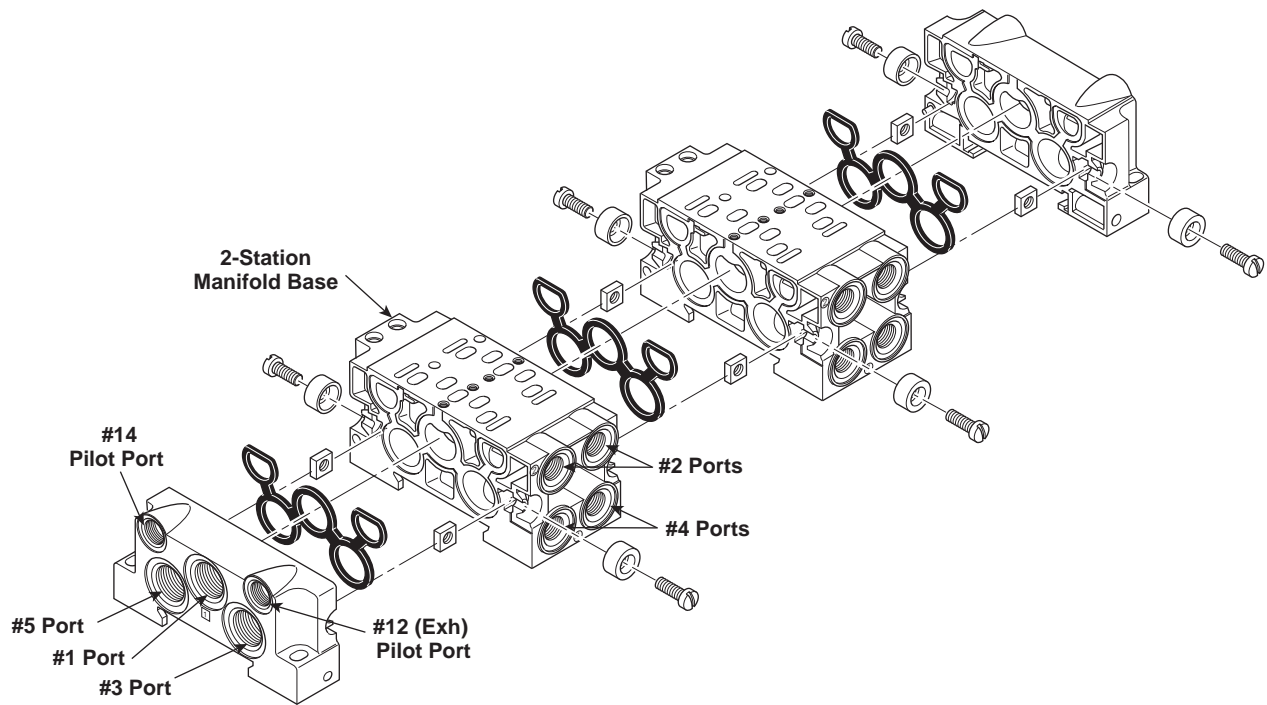
For inventory, lead times, and kit lookup, visit [www.pdnplu.com](http://www.pdnplu.com)

**DX02 Manifold Assembly**

**Ports**

- 1.....Pressure
- 2.....#2 Cylinder Port, 1 to 2 Flow Path
- 3.....Cylinder Exhaust Port, 2 to 3 Flow Path
- 4.....#4 Cylinder Port, 1 to 4 Flow Path
- 5.....Cylinder Exhaust Port, 4 to 5 Flow Path
- 14.....#14 Pilot Port
- 12.....#12 Pilot Port

Torque Specifications: 25 to 35 in-lbs (2.82 to 3.95 Nm)



**DX02 Shown**

D
Subbase & Manual Valves
H Series Micro
Moduflex Series
H Series ISO
Fieldbus Systems
DX ISOMAX Series
Valvair II Series



For inventory, lead time, and kit lookup, visit [www.pdnplu.com](http://www.pdnplu.com)

D235

**Parker Hannifin Corporation**  
 Pneumatic Division  
 Richland, Michigan  
[www.parker.com/pneumatics](http://www.parker.com/pneumatics)

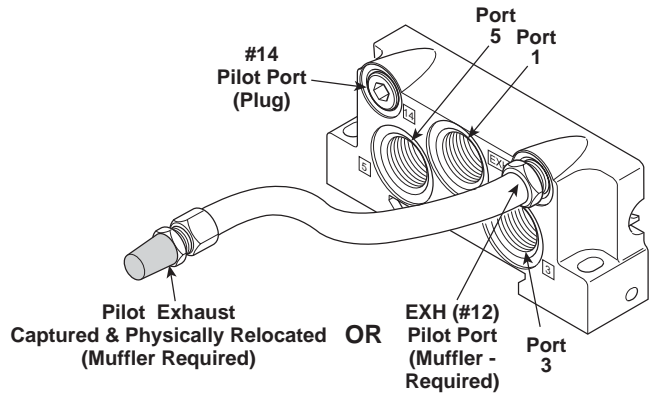
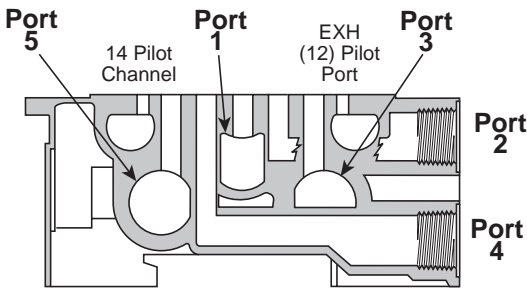


**DX 15407-1 Size 02, Manifold Conversion Instructions**

***Captured  
Pilot Exhaust***

**PJLP02, Size 02\***

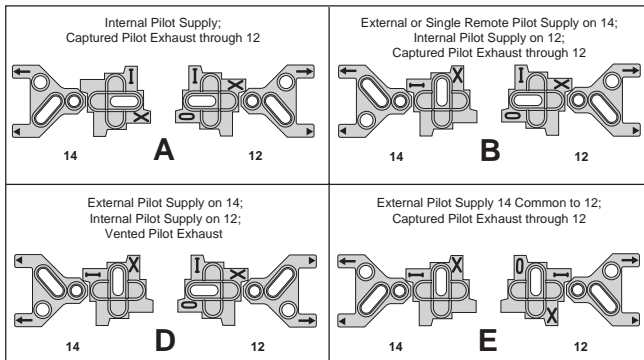
As shown in the illustrations below, the EXH (12) & 14 Pilot Ports are exhausted internally in the valve body into a single chamber labeled EXH on the end plate. When using A, B, D or E Selector Gasket Positions, the EXH (12) Pilot Port is vented with a muffler or micron screen. The 14 Pilot Port is plugged.



**D**  
Subbase & Manual Valves  
H Series Micro  
Modulflex Series  
H Series ISO  
Fieldbus Systems  
DX ISOMAX Series  
Valvair II Series

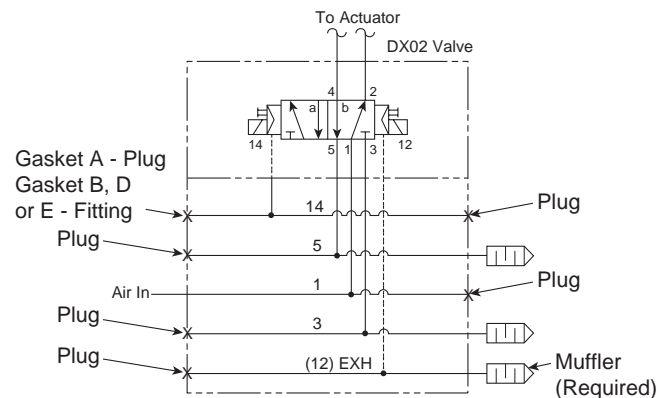
**Captured Selector Gasket Positions**

When using A, B, D or E, Selector Gasket Positions, the ports must be either plugged or vented with a muffler or micron screen as shown in the schematic at right.



\* PJLP02 Manifolds can be used for External Pilot, **NOT** Remote Pilot

**DX02 Manifold Assembly Schematic for Captured Selector Gasket Positions A, B, D and E**



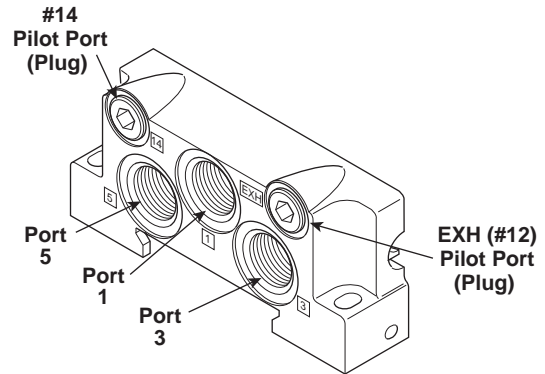
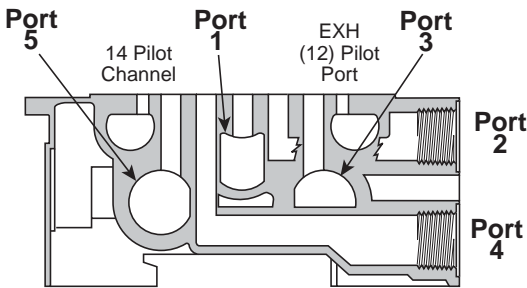
For inventory, lead times, and kit lookup, visit [www.pdnplu.com](http://www.pdnplu.com)

**DX 15407-1 Size 02, Manifold Conversion Instructions**

**Vented  
 Pilot Exhaust**

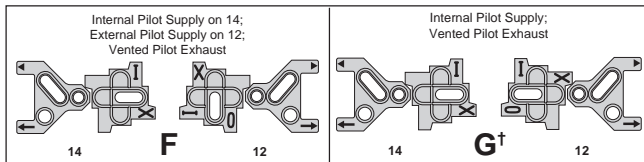
**PJLP02, Size 02**

When using F or G Selector Gasket Positions, the EXH (12) Pilot Port and the 14 Pilot Port are plugged and the Pilot Exhaust is vented through the Pilot Adapter.



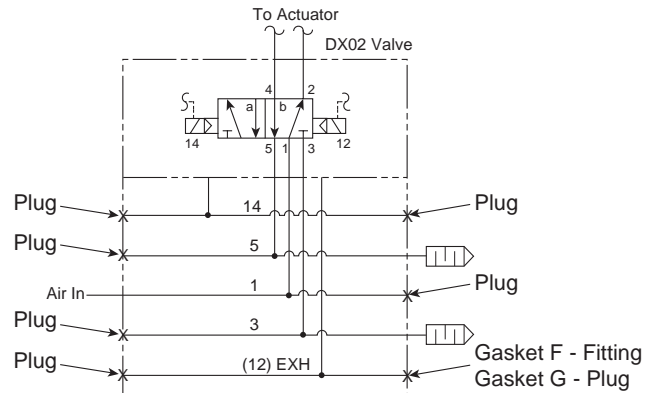
**Vented Selector Gasket Positions**

When using F or G, Selector Gasket Positions, the ports must be either plugged or vented with a muffler or micron screen as shown in the schematic at right.



† A plug may be inserted in the EXH Port of the PEJ02 & PEJ01 Manifold End Plates or #12 of PL02 & PL01 Subbases.

**DX02 Manifold Assembly  
 Schematic for Vented Selector Gasket  
 Positions F and G**



For inventory, lead time, and kit lookup, visit [www.pdnplu.com](http://www.pdnplu.com)

D237

**Parker Hannifin Corporation**  
 Pneumatic Division  
 Richland, Michigan  
[www.parker.com/pneumatics](http://www.parker.com/pneumatics)

**D**

Subbase & Manual  
 Valves

H Series  
 Micro

Moduflex  
 Series

H Series  
 ISO

Fieldbus  
 Systems

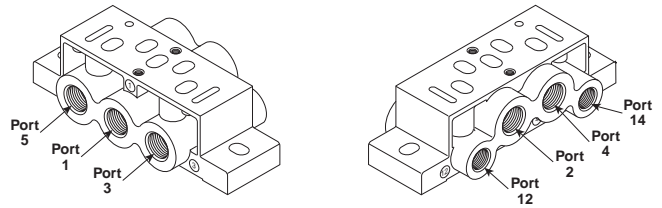
DX ISOMAX  
 Series

Valvair II  
 Series

**Subbase Assembly**

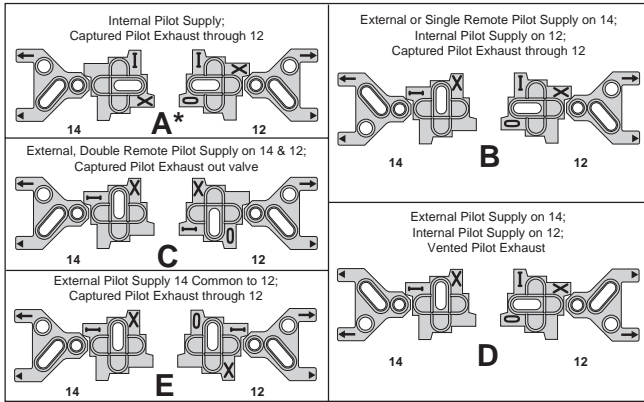
**Ports**

- 1..... Pressure
- 2..... #2 Cylinder Port. 1 to 2 Flow Path.
- 3..... Cylinder Exhaust Port. 2 to 3 Flow Path.
- 4..... #4 Cylinder Port. 1 to 4 Flow Path.
- 5..... Cylinder Exhaust Port. 4 to 5 Flow Path.
- 14..... #14 Pilot Port
- 12..... #12 Pilot Port

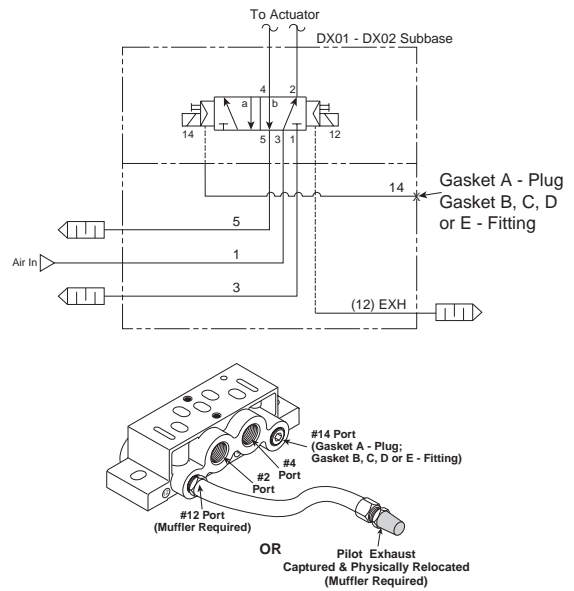


**Captured Selector Gasket Positions**

When using A, B, C, D or E, Selector Gasket Positions, the ports must be either plugged or vented with a muffler or micron screen as shown in the schematic at right.

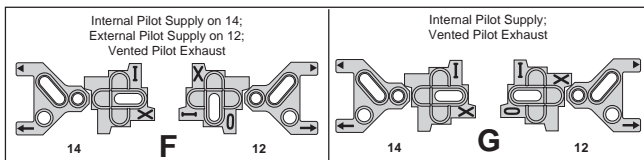


**DX02 & DX01 Subbase Assembly Schematic for Captured Selector Gasket Positions A, B, C, D and E**

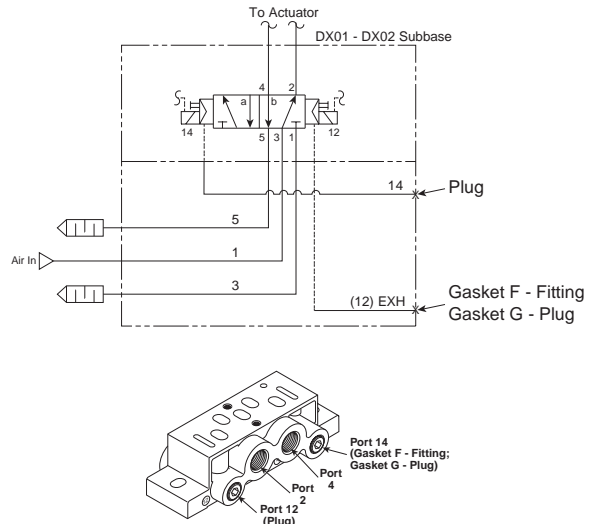


**Vented Selector Gasket Positions**

When using F or G, Selector Gasket Positions, the ports must be either plugged or vented with a muffler or micron screen as shown in the schematic at right.



**DX02 & DX01 Subbase Assembly Schematic for Vented Selector Gasket Positions F and G**



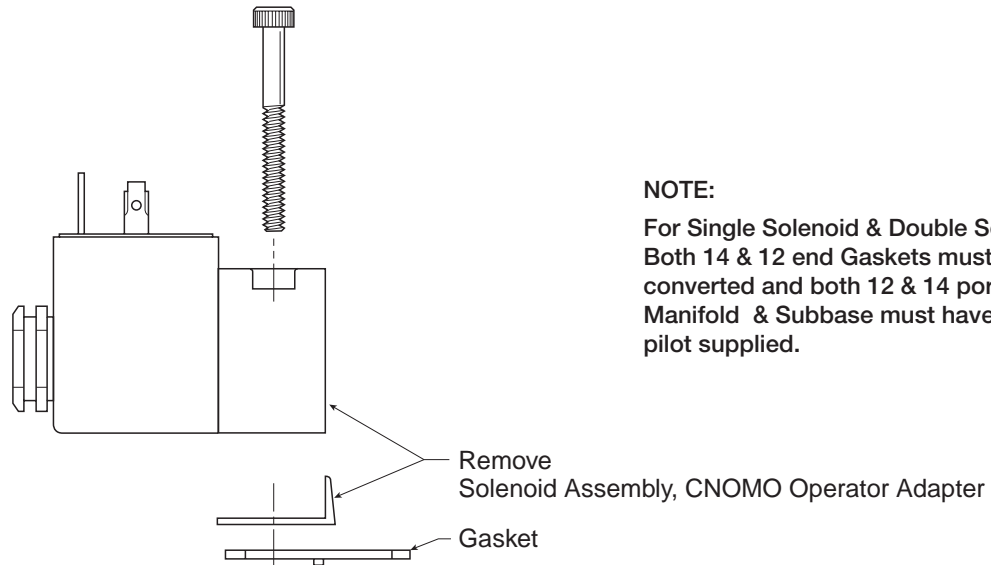
**D**  
 Subbase & Manual Valves  
 H Series Micro  
 Moduteflex Series  
 H Series ISO  
 Fieldbus Systems  
 DX ISOMAX Series  
 Valvair II Series



For inventory, lead times, and kit lookup, visit [www.pdnplu.com](http://www.pdnplu.com)

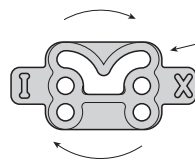
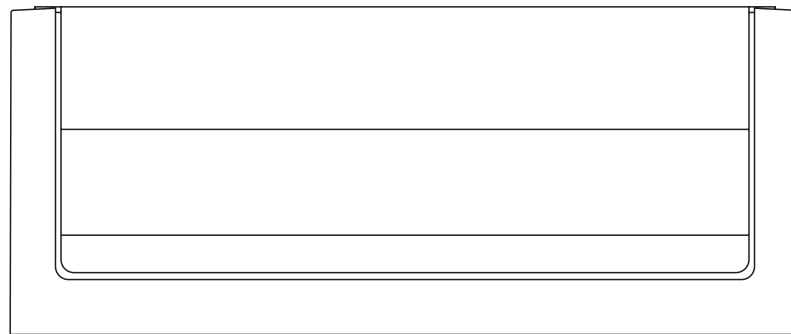
**DX1 / DX2 / DX3**

**Internal / External Pilot Conversion Instructions**



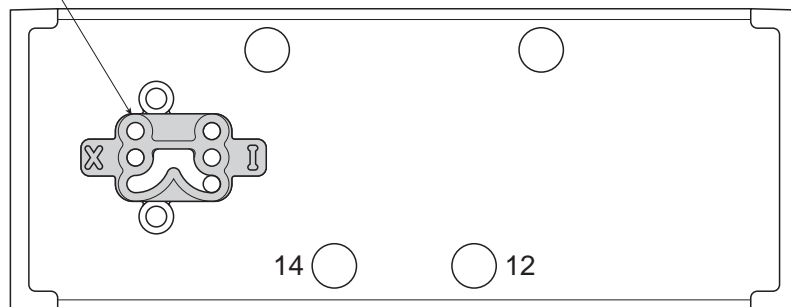
**NOTE:**

For Single Solenoid & Double Solenoid – Both 14 & 12 end Gaskets must be converted and both 12 & 14 ports in the Manifold & Subbase must have external pilot supplied.



Remove Gasket and Rotate to Show "I" in Position as Shown and Reinstall Gasket and Covers. (Valve is Now External Pilot)

Position of Gasket for Internal Pilot when Using with Solenoid Operator



**D**

Subbase & Manual Valves

H Series Micro

Moduflex Series

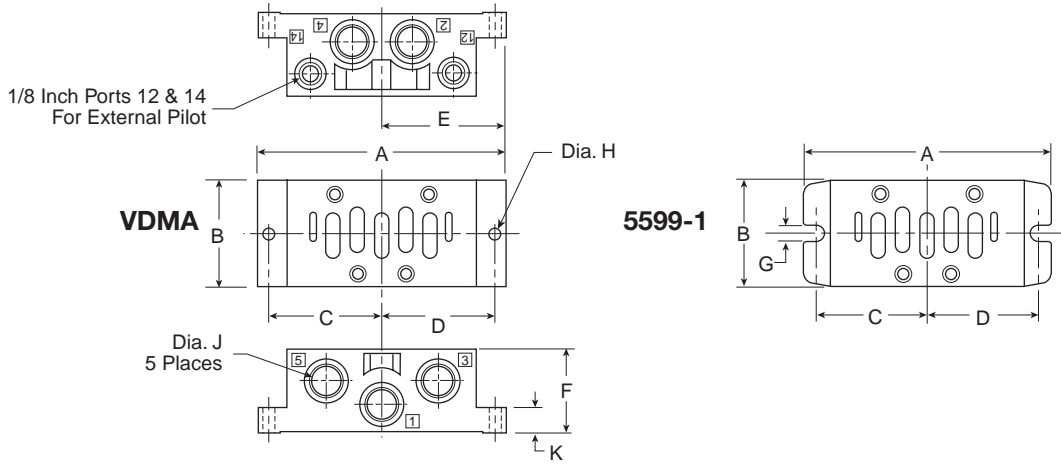
H Series ISO

Fieldbus Systems

**DX ISOMAX Series**

Valvair II Series

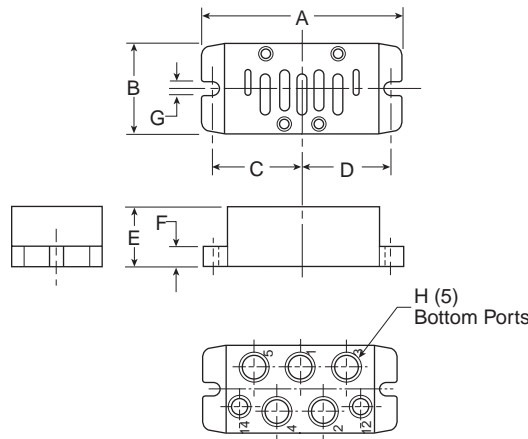
**DX1, DX2, DX3 VDMA & 5599-1 Side Ported Subbase**



Series	Part number	J	A	B	C	D	E	F	G	H	K
VDMA	DX1 <b>P2N-VS512SD</b>	BSPP G1/4	4.33 (110)	1.89 (48)	1.93 (49)	1.93 (49)	2.17 (55)	1.26 (32)	—	0.22 (5.5)	0.39 (9.9)
	DX2 <b>P2N-WS513SD</b>	BSPP G3/8	4.88 (124)	2.21 (56)	2.21 (56)	2.21 (56)	2.44 (62)	1.57 (40)	—	0.26 (6.6)	0.51 (13)
	DX3 <b>P2N-YS514SD</b>	BSPP G1/2	5.87 (149)	2.80 (71)	2.68 (68)	2.68 (68)	2.93 (74.5)	2.05 (52)	—	0.26 (6.6)	0.71 (18)
5599-1	DX1 <b>PL1-1/4-70</b>	BSPP G1/4	4.33 (110)	1.81 (46)	1.93 (49)	1.93 (49)	2.17 (55)	1.14 (29)	0.22 (5.5)	—	0.24 (6)
	DX1 <b>PL1-1/4-80</b>	NPT 1/4									
	DX2 <b>PL2-3/8-70</b>	BSPP G3/8	4.88 (124)	2.21 (56)	2.17 (55)	2.17 (55)	2.44 (62)	1.46 (37)	0.22 (5.5)	—	0.24 (6)
	DX2 <b>PL2-3/8-80</b>	NPT 3/8									
	DX3 <b>PL3-1/2-70</b>	BSPP G1/2	5.87 (149)	2.80 (71)	2.68 (68)	2.68 (68)	2.93 (74.5)	2.36 (60)	0.26 (6.6)	—	0.71 (18)
	DX3 <b>PL3-1/2-80</b>	NPT 1/2									

Inches (mm)

**DX1, DX2 5599-1 Bottom Ported Subbase**



**Bottom Ported Subbase**

Series	Part number	H	A	B	C	D	E	F	G
DX1	<b>PD1-1/4-70</b>	BSPP G1/4	4.33 (110)	1.81 (46)	1.93 (49)	1.93 (49)	1.14 (29)	0.24 (6)	0.22 (5.5)
	<b>PD1-1/4-80</b>	NPT 1/4							
DX2	<b>PD2-3/8-70</b>	BSPP G13/8	4.88 (124)	2.20 (56)	2.17 (55)	2.17 (55)	1.46 (37)	0.24 (6)	0.22 (5.5)
	<b>PD2-3/8-80</b>	NPT 3/8							

Inches (mm)

**D**  
 Subbase & Manual Valves  
 H Series Micro  
 Modutrex Series  
 H Series ISO  
 Fieldbus Systems  
 DX ISOMAX Series  
 Valvair II Series

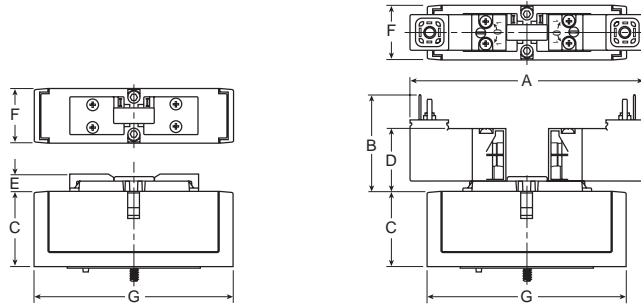


For inventory, lead times, and kit lookup, visit [www.pdnplu.com](http://www.pdnplu.com)

D240

**Parker Hannifin Corporation**  
 Pneumatic Division  
 Richland, Michigan  
[www.parker.com/pneumatics](http://www.parker.com/pneumatics)

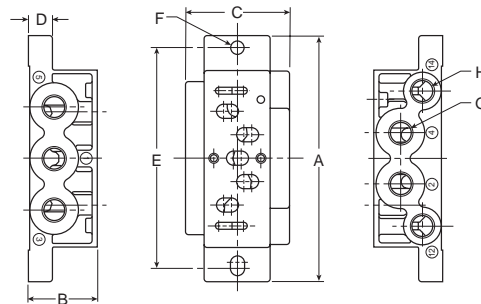
**DX01 & DX02 Valve**



Series	A	B	C	D	E	F	G
<b>DX02</b>	4.06 (103)	1.61 (41)	1.41 (36)	1.06 (27)	.31 (8)	.71 (18)	3.15 (80)
<b>DX01</b>	4.06 (103)	1.61 (41)	1.41 (36)	1.06 (27)	.31 (8)	1.02 (26)	3.94 (100)

Inches (mm)

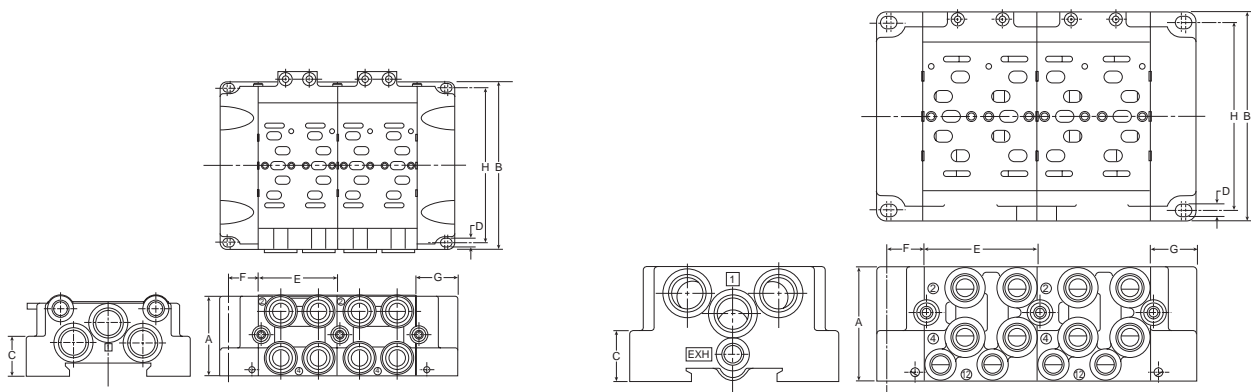
**DX01 & DX02 Individual Subbase**



Series	Part number	A	B	C	D	E	F	G	H
<b>DX02</b>	<b>PL02</b>	3.15 (80)	.87 (22)	1.06 (27)	.31 (8)	2.76 (70)	.216 Dia. (Ø 5.5)	1/8	M5
<b>DX01</b>	<b>PL01</b>	3.94 (100)	1.10 (28)	1.65 (42)	.39 (10)	3.54 (90)	.216 Dia. (Ø 5.5)	1/4	1/8

Inches (mm)

**DX01 & DX02 2-Station Manifold Base**



Series	Part number	A	B	C	D	E	F	G	H
<b>DX02</b>	<b>PJLP02 / PEJ02</b>	1.52 (38.5)	3.15 (80)	.47 (12)	.165 Dia. (Ø 4.2)	1.50 (38)	.55 (14)	.71 (18)	2.83 (72)
<b>DX01</b>	<b>PJL01 / PJLP01 / PEJ01</b>	2.17 (55)	3.94 (100)	.94 (24)	.216 Dia. (Ø 5.5)	2.13 (54)	.67 (17)	.87 (22)	3.54 (90)

Inches (mm)



For inventory, lead time, and kit lookup, visit [www.pdnplu.com](http://www.pdnplu.com)

D241

**Parker Hannifin Corporation**  
 Pneumatic Division  
 Richland, Michigan  
[www.parker.com/pneumatics](http://www.parker.com/pneumatics)

**D**

Subbase & Manual Valves

H Series Micro

Moduflex Series

H Series ISO

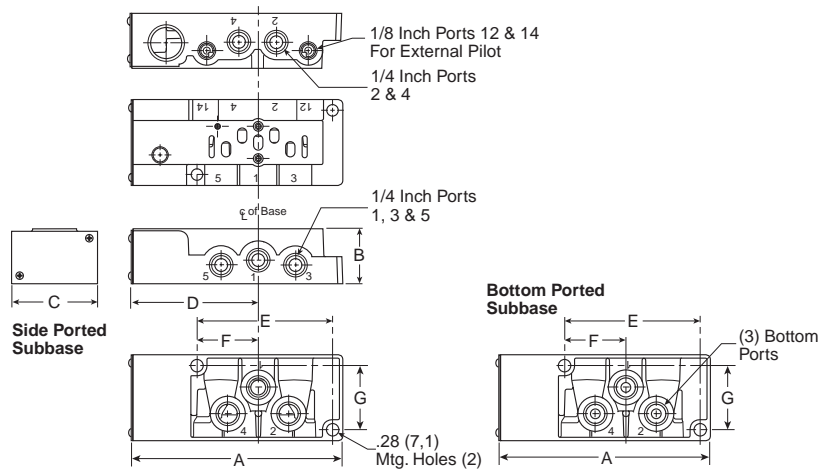
Fieldbus Systems

**DX ISOMAX Series**

Valvair II Series



**DX01 15407-1, PS5511 Subbases**

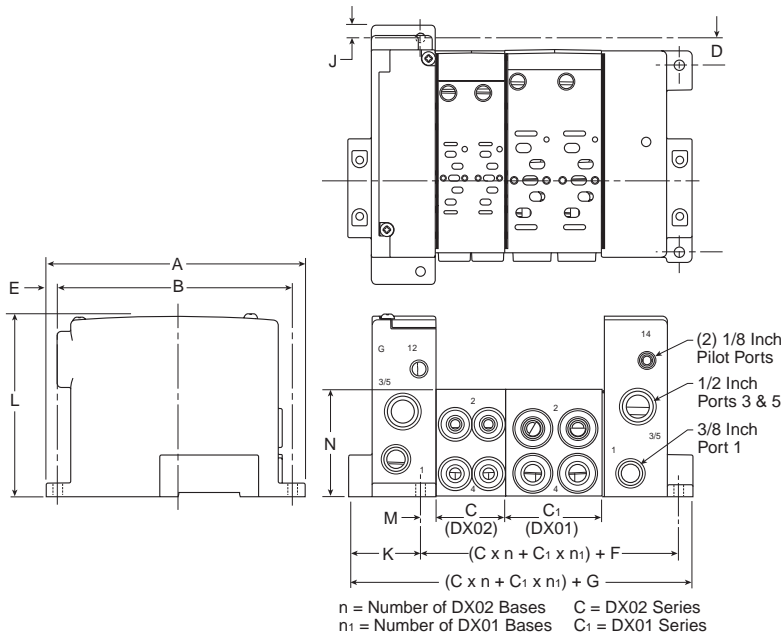


**PS5511 Subbase**

A	B	C	D
4.88 (124)	1.28 (32.5)	2.00 (50.8)	2.91 (74)
E	F	G	
1.43 (36.2)	3.16 (80.2)	1.49 (37.9)	

Inches (mm)

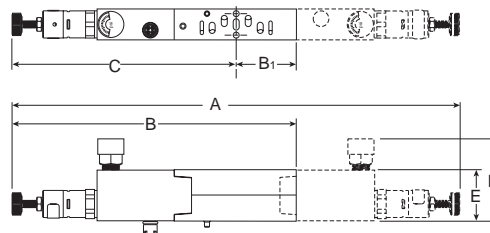
**DX02 & DX01 15407-1, PS5611 & PS5511 Manifolds**



**PS5611 & PS5511 Manifolds**

A	B	C	C <sub>1</sub>
5.98 (152)	5.39 (137)	1.61 (40.8)	2.24 (56.8)
D	E	F	G
.63 (16)	.30 (7.5)	2.14 (54.4)	4.12 (104.6)
H	J	K	L
4.32 (109.8)	.15 (4)	1.68 (42.7)	4.17 (106)
M	N		
.33 (8.4)	2.48 (63)		

Inches (mm)



Series	Part number	A	B	B1	C	D	E
DX02	<b>PS5637</b>	10.28 (261)	6.14 (156)	1.02 (26)	5.13 (130)	2.60 (66)	1.18 (30)
DX01	<b>PS5537</b>	10.00 (254)	6.42 (163)	1.42 (36)	5.00 (127)	2.72 (69)	1.18 (30)

Inches (mm)

**D**  
 Subbase & Manual Valves  
 H Series Micro  
 Modulflex Series  
 H Series ISO  
 Fieldbus Systems  
 DX ISOMAX Series  
 Valvair II Series

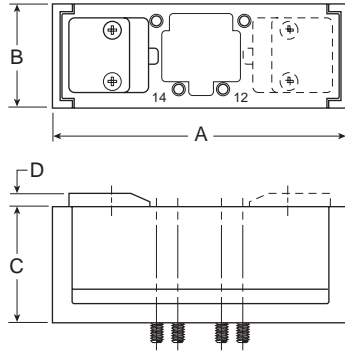


For inventory, lead times, and kit lookup, visit [www.pdnplu.com](http://www.pdnplu.com)

D242

**Parker Hannifin Corporation**  
 Pneumatic Division  
 Richland, Michigan  
[www.parker.com/pneumatics](http://www.parker.com/pneumatics)

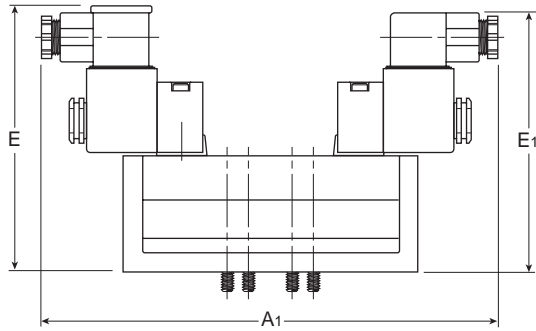
**DX1, DX2 & DX3 Air Operated Valve**



Series	A	B	C	D
<b>DX1</b>	4.72 (120)	1.65 (42)	1.85 (47)	.20 (5)
<b>DX2</b>	5.51 (140)	2.13 (54)	2.30 (58.5)	.20 (5)
<b>DX3</b>	6.69 (170)	2.68 (68)	2.80 (71)	.20 (5)

Inches (mm)

**DX1, DX2 & DX3 Solenoid Operated Valve**



Series	A1	E	E1	E2
<b>DX1</b>	7.97 (202.5)	4.43 (112.5)	4.69 (119)	4.53 (115)
<b>DX2</b>	8.58 (218)	4.86 (123.5)	5.12 (130)	4.98 (126.5)
<b>DX3</b>	9.27 (235.5)	5.35 (136)	5.61 (142.5)	5.47 (139)

Inches (mm)

**D**

Subbase & Manual  
 Valves

H Series  
 Micro

Moduflex  
 Series

H Series  
 ISO

Fieldbus  
 Systems

**DX ISOMAX  
 Series**

Valvair II  
 Series

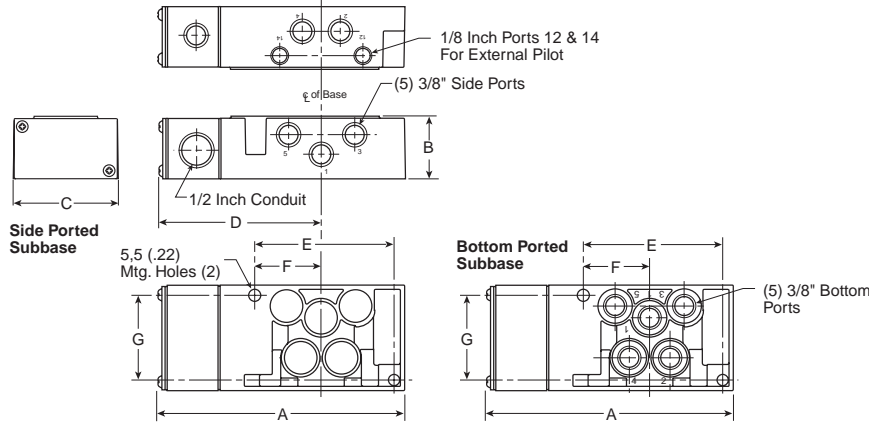


For inventory, lead time, and kit  
 lookup, visit [www.pdnplu.com](http://www.pdnplu.com)

D243

**Parker Hannifin Corporation**  
 Pneumatic Division  
 Richland, Michigan  
[www.parker.com/pneumatics](http://www.parker.com/pneumatics)

**DX1 Subbase**

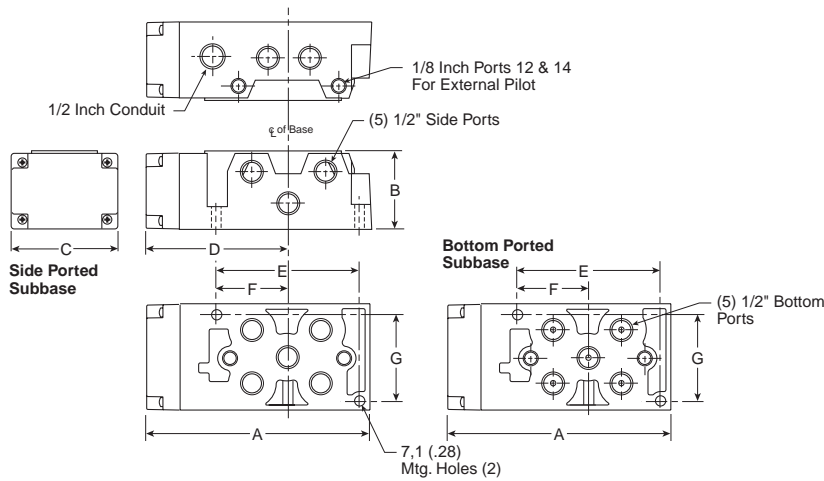


**PS4011 Subbase**

A	B	C	D
5.83 (148)	1.48 (38)	2.50 (64)	3.86 (98)
E	F	G	
3.29 (84)	1.57 (40)	2.00 (51)	

Inches (mm)

**DX2 Subbase**

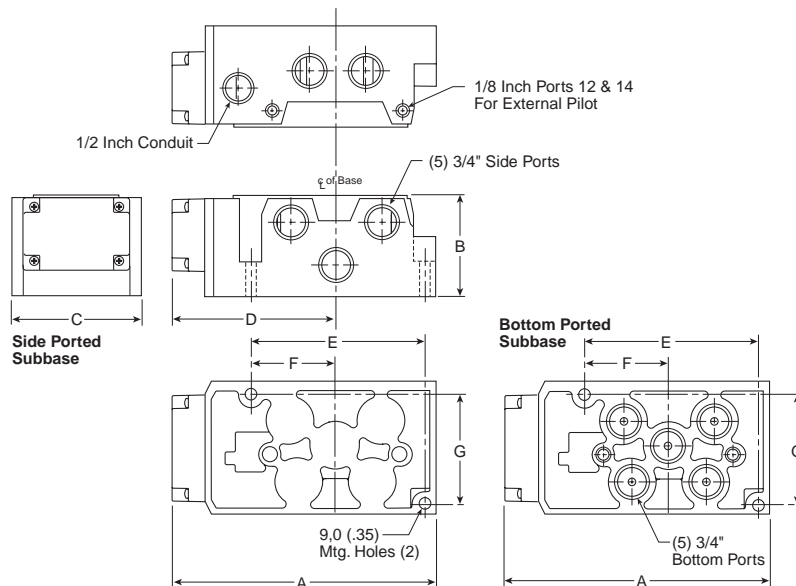


**PS4111 Subbase**

A	B	C	D
6.69 (170)	2.33 (59)	3.15 (80)	4.25 (108)
E	F	G	
4.21 (107)	2.07 (52)	2.56 (65)	

Inches (mm)

**DX3 Subbase**



**PS4211 Subbase**

A	B	C	D
7.90 (201)	2.96 (75)	3.90 (990)	4.92 (125)
E	F	G	
5.14 (131)	2.50 (64)	3.24 (82)	

Inches (mm)

**D**  
 Subbase & Manual  
 Valves  
 H Series  
 Micro  
 Modutrex  
 Series  
 H Series  
 ISO  
 Fieldbus  
 Systems  
 DX ISOMAX  
 Series  
 Valvair II  
 Series

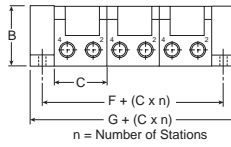
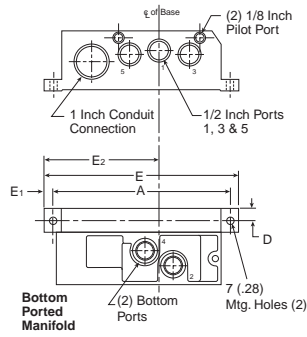


For inventory, lead times, and kit lookup, visit [www.pdnplu.com](http://www.pdnplu.com)

D244

**Parker Hannifin Corporation**  
 Pneumatic Division  
 Richland, Michigan  
[www.parker.com/pneumatics](http://www.parker.com/pneumatics)

**DX1 Manifold**

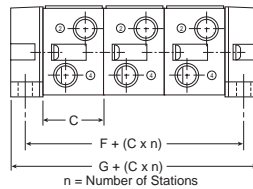
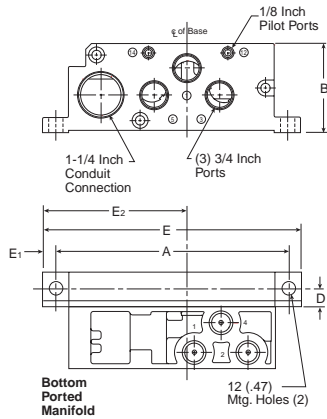


**PS4011 Manifold**

A	B	C	D	E
6.50 (165)	2.20 (56)	1.93 (49)	.44 (11)	7.15 (182)
E1	E2	F	G	
.33 (8)	4.25 (108)	.87 (22)	1.80 (46)	

Inches (mm)

**DX2 Manifold**

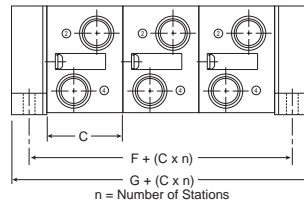
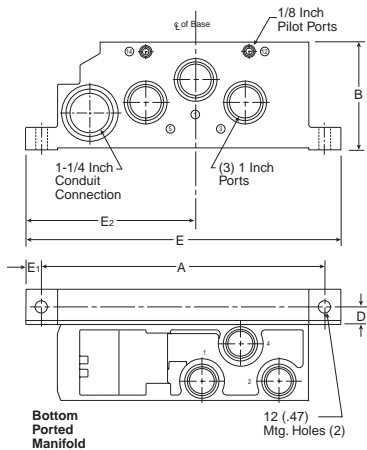


**PS4111 Manifold**

A	B	C	D	E
8.46 (215)	3.35 (85)	2.20 (56)	.59 (15)	9.41 (239)
E1	E2	F	G	
.47 (12)	5.28 (134)	1.18 (30)	2.36 (60)	

Inches (mm)

**DX3 Manifold**



**PS4211 Manifold**

A	B	C	D	E
10.41 (265)	4.13 (105)	2.80 (71)	.65 (175)	11.61 (295)
E1	E2	F	G	
.59 (15)	6.26 (159)	1.30 (33)	2.60 (63)	

Inches (mm)



For inventory, lead time, and kit lookup, visit [www.pdnplu.com](http://www.pdnplu.com)

D245

**Parker Hannifin Corporation**  
 Pneumatic Division  
 Richland, Michigan  
[www.parker.com/pneumatics](http://www.parker.com/pneumatics)

**D**

Subbase & Manual Valves

H Series Micro

Moduflex Series

H Series ISO

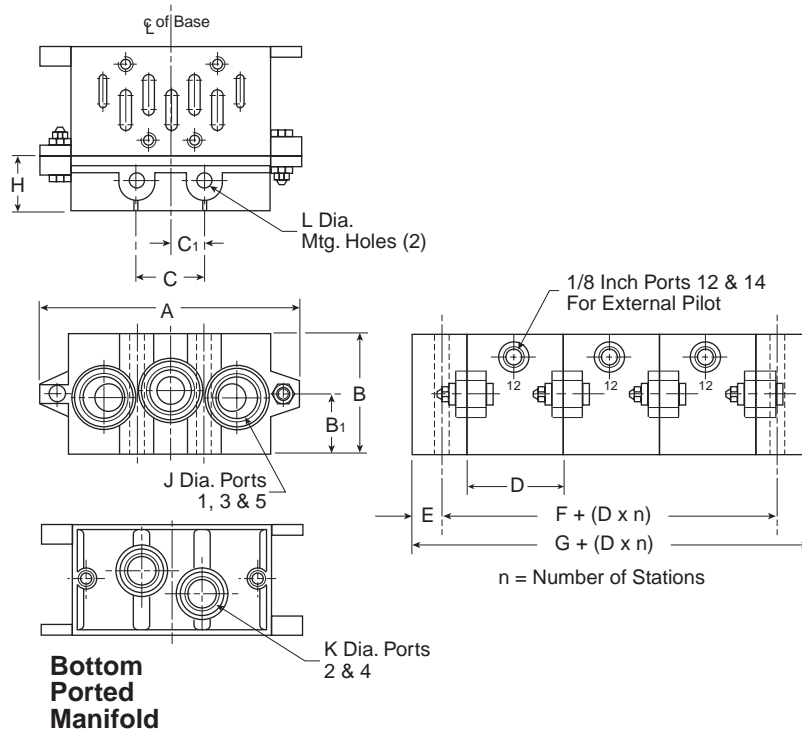
Fieldbus Systems

DX ISOMAX Series

Valvair II Series

**DX1, DX2, DX3 5599-1 VDMA**

Form C Manifold &  
 Form D End Plates



**Bottom Ported Manifold**

**VDMA Form C Manifold**

Series	Part number	A	B	B1	D	E	F	G	J	K
DX1	<b>P2N-VM512MB</b>	4.33 (110)	1.81 (46)	0.94 (24)	1.69 (55)	0.43 (22)	0.87 (22)	1.73 (44)	BSPP G3/8	BSPP G1/4
DX2	<b>P2N-WM513MB</b>	5.31 (135)	1.85 (47)	0.94 (24)	2.20 (56)	0.51 (13)	1.02 (26)	2.05 (52)	BSPP G1/2	BSPP G3/8
DX3	<b>P2N-YM514MB</b>	7.48 (190)	2.20 (56)	1.34 (34)	2.80 (71)	0.59 (15)	1.18 (30)	2.36 (60)	BSPP G1/2	BSPP G1/2

**VDMA Form D End Plate**

Series	Part number	A	B	B1	C	C1	H	L
DX1	<b>P2N-VM513ES</b>	4.33 (110)	1.81 (46)	0.94 (24)	1.10 (28)	0.55 (14)	0.87 (22)	0.28 (7)
DX2	<b>P2N-WM514ES</b>	5.31 (135)	1.85 (47)	0.94 (24)	1.38 (35)	0.69 (18)	1.02 (26)	0.34 (9)
DX3	<b>P2N-YM518ES</b>	7.48 (190)	2.20 (56)	1.34 (34)	2.05 (52)	1.03 (26)	1.18 (30)	0.47 (12)

Inches (mm)

**D**  
 Subbase & Manual Valves  
 H Series Micro  
 Moduteflex Series  
 H Series ISO  
 Fieldbus Systems  
 DX ISOMAX Series  
 Valvair II Series



For inventory, lead times, and kit lookup, visit [www.pdnplu.com](http://www.pdnplu.com)

D246

**Parker Hannifin Corporation**  
 Pneumatic Division  
 Richland, Michigan  
[www.parker.com/pneumatics](http://www.parker.com/pneumatics)

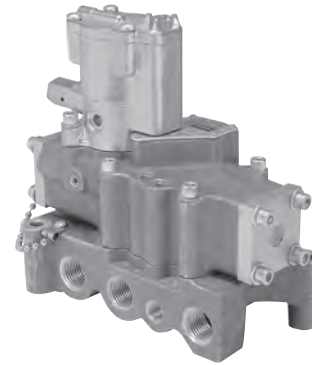
## Valvair II Series

- Full air operation for fastest response
- “Plug-in” option simplifies maintenance and installation  
 Reduces downtime. No wiring or plumbing to disturb
- “Direct pipe” design for economy and performance
- Variety of operators available; direct conduit, (JIC) junction box, NEMA 4, hazardous duty, (UL, CSA), and remote air pilot
- Field convertible to external pilot supply for vacuum or other services
- Synthetic rubber o-ring seals are specially compounded for minimum compression and friction for superior wear and abrasion resistance
- Precision ground spool “floats” on o-ring seals. Closed center cross-over design saves air
- General Purpose Approvals
  - CSA - Canadian Standards Association  
 File number 42024
- Hazardous Duty Approvals
  - UL - Underwriters Laboratories, Inc.  
 File number E42542 Category Y107
  - CSA - Canadian Standards Association  
 File number 24349

### Material specifications

Manifolds & subbases	Aluminum alloy	
Other seals	Nitrile	
Resilient seals: in valve body		
Dynamic	Polyurethane base on 3/8" basic valves*	
Static / dynamic	Nitrile base w / 12% Molybdenum Disulphide on 1/4" & 1/2" basic valves	
Shock pads	Polyurethane	
Solenoid bodies	Plated zinc alloy	
Internal components	Corrosion resistant steel	
Resilient seals	Standard service	Nitrile
	Special service (continuous duty)	Fluorocarbon & Silicone
Other seals	Nitrile	
Coil	Class “B” epoxy encapsulated (Class “H” also available on some models, consult supplier)	
Valve bodies	Aluminum alloy	
Valve spacers	Brass	
Valve spool	Aluminum alloy with special coating on 3/8" basic valves*.  Hard chrome plated AISI type 416 stainless steel on 1/4" & 1/2" basic valves.	

\* These materials are specially designed for valves used on non-lubricated service



### Operating information

#### Pressure range for solenoid operated valves

Media	Internal pilot supply			External pilot supply			
	1/4"	3/8"	1/2"	1/4"	3/8"	1/2"	1"
Air	35-140* PSIG			N.A. Main	0-250 PSIG		
				Pilot	35-140* PSIG		
Vacuum	do not use			N.A. Main	within 1 Hg of perfect		
				Pilot	35-140* PSIG		

Other Consult supplier

\* 200 PSIG solenoid is optional (consult supplier).

#### Pressure range for remote pilot operated valves

Media		Valve type	
		Single	Double & 3-position
Air	Main	35-250 PSIG	0-250 PSIG
	Pilot	35-200 PSIG	35-200 PSIG
Vacuum	Main	Do not use	Within 1" Hg of perfect
	Pilot	Do not use	35-200 PSIG
Other	Consult supplier		

#### Ambient temperature – standard service solenoid operator

Minimum	Maximum	
	Intermittent duty	Continuous duty
0°F	125°F	100°F

Special service (continuous duty) solenoid operator  
 0°F 125°F 125°F

#### Ambient temperature – remote pilot operated valves

0°F	200°F
-----	-------

As the above chart indicates, Standard Duty Solenoids may be used on continuous duty but ambient temperature is de-rated.  
 In some cases, Special Service Solenoids may be rated for higher ambient temperatures (consult supplier).



#### CAUTION:

If it is possible that the ambient temperature may fall below freezing, the medium must be moisture free to prevent internal damage and unpredictable behavior.

Most popular.



For inventory, lead time, and kit lookup, visit [www.pdnplu.com](http://www.pdnplu.com)

D247

**Parker Hannifin Corporation**  
 Pneumatic Division  
 Richland, Michigan  
[www.parker.com/pneumatics](http://www.parker.com/pneumatics)

**D**

Subbase & Manual Valves

H Series Micro

Moduflex Series

H Series ISO


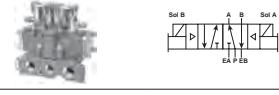
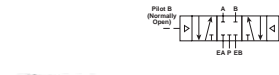

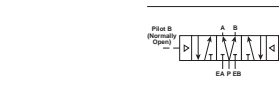
Fieldbus Systems

DX ISOMAX Series

Valvair II Series



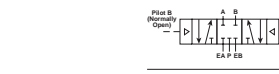

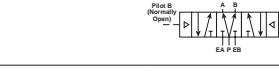


**3/8" Basic plug-in solenoid valve only with light**

Symbol	Type	Cv	Operator	Voltage	Non-locking	Locking
	4-way, 2-position, spring return	4.8	Single solenoid	24 VDC 110 VAC	<b>L6753810249</b> <b>L6753810253</b>	<b>L6753910249</b> <b>L6753910253</b>
	4-way, 2-position	4.8	Double solenoid	24 VDC 110 VAC	<b>L6553810249</b> <b>L6553810253</b>	<b>L6553910249</b> <b>L6553910253</b>
	4-way, 3-position, all ports blocked	4.8	Double solenoid	24 VDC 110 VAC	<b>L6653821149</b> <b>L6653821153</b>	<b>L6653921149</b> <b>L6653921153</b>
	4-way, 3-position, center exhaust	4.8	Double solenoid	24 VDC 110 VAC	<b>L6653822149</b> <b>L6653822153</b>	<b>L6653922149</b> <b>L6653922153</b>
	4-way, 3-position, pressure center	4.8	Double solenoid	24 VDC 110 VAC	<b>L6653823149</b> <b>L6653823153</b>	<b>L6653923149</b> <b>L6653923153</b>



\* Order subbase or manifold separately.

**3/8" Basic plug-in remote pilot valve only**

Symbol	Type	Cv	Operator	Part number
	4-way, 2-position, spring return	4.8	Single remote	<b>L67431102</b>
	4-way, 2-position	4.8	Double remote	<b>L65431102</b>
	4-way, 3-position, all ports blocked	4.8	Double remote	<b>L66431211</b>
	4-way, 3-position, center exhaust	4.8	Double remote	<b>L66431221</b>
	4-way, 3-position, pressure center	4.8	Double remote	<b>L66431231</b>

\* Order subbase or manifold separately.

**3/8" Valve Subbase and Manifolds**

	Cv	Port	Subbase † (side ports)	Manifolds † (end & bottom ports)
 Subbase	4.8	3/8"	<b>K022090</b>	<b>K142230</b>
	4.8	1/2"	<b>K022091</b>	<b>K142231</b>
 Manifold	4.8	3/4"	<b>K022101</b>	<b>K142270</b>

† Manifolds include mounting hardware, except for port adapters. Subbase includes valve mounting hardware.

**Plug-in Subbase, 3/8" Basic**

K022090	.....Inlet & Cylinder Ports 3/8" NPTF
	Exhaust Ports ..... 1/2" NPTF
K022091	.....Inlet & Cylinder Ports 1/2" NPTF
	Exhaust Ports ..... 1/2" NPTF
K022101	.....Inlet & Cylinder Ports 3/4" NPTF
	Exhaust port ..... 3/4" NPTF
	Conduit port ..... 1/2" NPTF

**Note:** Subbase assemblies include mounting hardware.

 Most popular.

**Plug-in Manifold, 3/8" Basic**

K142230	.....Cylinder ports 3/8" NPTF
K142231	.....Cylinder ports 1/2" NPTF
K142270	.....Cylinder ports 3/4" NPTF
	Exhaust port..... 1" NPTF
	Inlet port..... 1" NPTF
	Conduit port..... 1-1/4" NPTF

**Note:** Manifold assemblies include mounting hardware.

**D**  
 Subbase & Manual Valves  
 H Series Micro  
 Modulflex Series  
 H Series ISO  
 Fieldbus Systems  
 DX ISOMAX Series  
 Valvair II Series





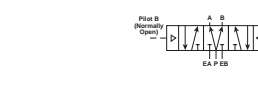


For inventory, lead times, and kit lookup, visit [www.pdnplu.com](http://www.pdnplu.com)

D248




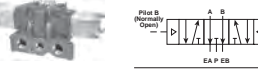
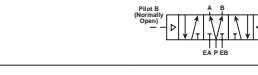
**Parker Hannifin Corporation**  
 Pneumatic Division  
 Richland, Michigan  
[www.parker.com/pneumatics](http://www.parker.com/pneumatics)

1" Basic plug-in solenoid valve only with light

Symbol	Type	Cv	Operator	Voltage	Non-locking	Locking
	4-way, 2-position, spring return	11.3	Single solenoid	24 VDC 110 VAC	<b>L6758810249</b> <b>L6758810253</b>	<b>L6758910249</b> <b>L6758910253</b>
	4-way, 2-position	11.3	Double solenoid	24 VDC 110 VAC	<b>L6558810249</b> <b>L6558810253</b>	<b>L6558910249</b> <b>L6558910253</b>
	4-way, 3-position, all ports blocked	11.3	Double solenoid	24 VDC 110 VAC	<b>L6658821149</b> <b>L6658821153</b>	<b>L6658921149</b> <b>L6658921153</b>
	4-way, 3-position, center exhaust	11.3	Double solenoid	24 VDC 110 VAC	<b>L6658822149</b> <b>L6658822153</b>	<b>L6658922149</b> <b>L6658922153</b>
	4-way, 3-position, pressure center	11.3	Double solenoid	24 VDC 110 VAC	<b>L6658823149</b> <b>L6658823153</b>	<b>L6658923149</b> <b>L6658923153</b>


\* Order subbase separately.

1" Basic plug-in valve remote pilot valve only

Symbol	Type	Cv	Operator	Part number
	4-way, 2-position, spring return	11.3	Single remote	<b>L67481102</b>
	4-way, 2-position	11.3	Double remote	<b>L65481102</b>
	4-way, 3-position, all ports blocked	11.3	Double remote	<b>L66481211</b>
	4-way, 3-position, center exhaust	11.3	Double remote	<b>L66481221</b>
	4-way, 3-position, pressure center	11.3	Double remote	<b>L66481231</b>

\* Order subbase separately.

1" Valve Subbase

	Cv	Port	Subbase † (side ports)
	11.3	1"	<b>K022095</b>

Subbase

† Subbase includes valve mounting hardware.

Plug-in Manifold, 1" Basic

K0220905 ..... Inlet & Cylinder Ports 1" NPTF  
Exhaust Ports ..... 1-1/4" NPTF  
Conduit port ..... 1/2" NPTF

Note: Subbase assemblies include mounting hardware.



For inventory, lead time, and kit lookup, visit [www.pdnplu.com](http://www.pdnplu.com)

D249

Parker Hannifin Corporation  
Pneumatic Division  
Richland, Michigan  
[www.parker.com/pneumatics](http://www.parker.com/pneumatics)

D

Subbase & Manual Valves

H Series Micro

Moduflex Series

H Series ISO

Fieldbus Systems

DX ISOMAX Series

Valvair II Series

**3/8" Basic direct pipe ported valve only. Solenoid junction box with light, 1/2" NPT ports**

Symbol	Type	Cv	Operator	Voltage	Non-locking	Locking
	4-way, 2-position, spring return	4.8	Single solenoid	24 VDC 110 VAC	<b>L7054810249</b> <b>L7054810253</b>	<b>L7054910249</b> <b>L7054910253</b>
	4-way, 2-position	4.8	Double solenoid	24 VDC 110 VAC	<b>L6854810249</b> <b>L6854810253</b>	<b>L6854910249</b> <b>L6854910253</b>
	4-way, 3-position, all ports blocked	4.8	Double solenoid	24 VDC 110 VAC	<b>L6954821149</b> <b>L6954821153</b>	<b>L6954921149</b> <b>L6954921153</b>
	4-way, 3-position, center exhaust	4.8	Double solenoid	24 VDC 110 VAC	<b>L6954822149</b> <b>L6954822153</b>	<b>L6954922149</b> <b>L6954922153</b>
	4-way, 3-position, pressure center	4.8	Double solenoid	24 VDC 110 VAC	<b>L6954823149</b> <b>L6954823153</b>	<b>L6954923149</b> <b>L6954923153</b>

**3/8" Basic direct pipe ported remote pilot valve only, 1/2" NPT ports**

Symbol	Type	Cv	Operator	Part number
	4-way, 2-position, spring return	4.8	Single remote	<b>L70441102</b>
	4-way, 2-position	4.8	Double remote	<b>L68441102</b>
	4-way, 3-position, all ports blocked	4.8	Double remote	<b>L69441211</b>
	4-way, 3-position, center exhaust	4.8	Double remote	<b>L69441221</b>
	4-way, 3-position, pressure center	4.8	Double remote	<b>L69441231</b>

Most popular.

**D**  
 Subbase & Manual Valves  
 H Series Micro  
 Modutefx Series  
 H Series ISO  
 Fieldbus Systems  
 DX ISOMAX Series  
 Valvair II Series




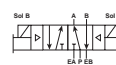

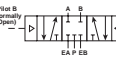

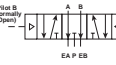
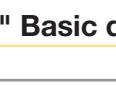



For inventory, lead times, and kit lookup, visit [www.pdnplu.com](http://www.pdnplu.com)


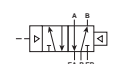



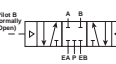




D250

**Parker Hannifin Corporation**  
Pneumatic Division  
Richland, Michigan  
[www.parker.com/pneumatics](http://www.parker.com/pneumatics)


**1" Basic direct pipe ported valve only. Solenoid junction box with light, 1" NPT ports**

Symbol	Type	Cv	Operator	Voltage	Non-locking	Locking
		4-way, 2-position, spring return	11.3	Single solenoid	24 VDC 110 VAC	<b>L7058810249</b> <b>L7058910249</b>
		4-way, 2-position	11.3	Double solenoid	24 VDC 110 VAC	<b>L6858810249</b> <b>L6858910249</b>
		4-way, 3-position, all ports blocked	11.3	Double solenoid	24 VDC 110 VAC	<b>L6958821149</b> <b>L6958921149</b>
		4-way, 3-position, center exhaust	11.3	Double solenoid	24 VDC 110 VAC	<b>L6958822149</b> <b>L6958922149</b>
		4-way, 3-position, pressure center	11.3	Double solenoid	24 VDC 110 VAC	<b>L6958823149</b> <b>L6958923149</b>

**1" Basic direct pipe ported remote pilot valve only. 1" NPT ports**

Symbol	Type	Cv	Operator	Part number	
		4-way, 2-position, spring return	11.3	Single remote	<b>L70481102</b>
		4-way, 2-position	11.3	Double remote	<b>L68481102</b>
		4-way, 3-position, all ports blocked	11.3	Double remote	<b>L69481211</b>
		4-way, 3-position, center exhaust	11.3	Double remote	<b>L69481221</b>
		4-way, 3-position, pressure center	11.3	Double remote	<b>L69481231</b>

**1" Valve Subbase**

	<b>Cv</b>	<b>Port</b>	<b>Subbase (side ports)</b>
<b>Subbase</b>	11.3	1"	<b>K022095</b>

**Lubricated Non-Lubricated Service**  
**2-position, Plug-In, 3/8" & 1" Basic Size**

**L 67 5 3 9 10 2 53**

Type	
Double	65
Single	67

Operator	
Remote	4
Solenoid	5

Size	
3/8" Basic	3
1" Basic	8

Operator options	
Solenoid (basic) or remote	1
Solenoid with locking override	3
Solenoid w/light (120VAC, 24VDC) & non-locking override	8
Solenoid w/light (120VAC, 24VDC) & locking override	9

	Voltage & frequency		
	60Hz	50Hz	DC
45			12
49			24
53	120	110	
57	240	220	
Blank	Remote		

Duty Cycle	
2	Standard service, solenoid or remote
4	Continuous service solenoid

Enclosure "Class"	
10	Standard (NEMA 1 & 12) or remote

**D**  
 Subbase & Manual Valves  
 H Series Micro  
 Modutefx Series  
 H Series ISO  
 Fieldbus Systems  
 DX ISOMAX Series  
 Valvair II Series

**Lubricated or Non-Lubricated Service**  
**3-position, Plug-In, 3/8" & 1" Basic Size**

**L 66 5 3 9 21 1 53**

Type	
Double	66

Operator	
Remote	4
Solenoid	5

Size	
3/8" Basic	3
1" Basic	8

Operator options	
Solenoid (basic) or remote	1
Solenoid with locking override	3
Solenoid w/light (120VAC, 24VDC) & non-locking override	8
Solenoid w/light (120VAC, 24VDC) & locking override	9

	Voltage & frequency		
	60Hz	50Hz	DC
45			12
49			24
53	120	110	
57	240	220	
Blank	Remote		

Duty cycle	
1	Standard service, solenoid or remote
5	Continuous service solenoid

Enclosure "class"	
21	All ports blocked in neutral (NEMA 1 & 12 enclosure) or remote
22	Cyl. Ports open to exhaust in neutral (NEMA 1 & 12 enclosure) or remote
23	Cyl. Ports open to inlet in neutral (NEMA 1 & 12 enclosure) or remote

Most popular.



For inventory, lead times, and kit lookup, visit [www.pdnplu.com](http://www.pdnplu.com)

D252

**Parker Hannifin Corporation**  
 Pneumatic Division  
 Richland, Michigan  
[www.parker.com/pneumatics](http://www.parker.com/pneumatics)

**Lubricated or Non-Lubricated Service**  
**2-position, Direct Pipe Ported, 3/8" & 1" Basic Size**

L 70 5 3 9 10 2 53 —

Type	
Double	68
Single	70

Operator	
Remote	4
Solenoid	5

Size	
3/8" NPT inlet & cylinder 1/2" NPT exhaust	3
1/2" NPT inlet, cylinder & exhaust	4
1" NPT inlet & cylinder 1-1/4" NPT exhaust	8
1-1/4" NPT inlet cylinder & exhaust	9*

\* Not available operator option 4 - Remote pilot.

Lead length	
Blank	19" (Standard)

Voltage & frequency			
	60Hz	50Hz	DC
45			12
49			24
53	120	110	
57	240	220	
Blank	Remote		

Duty cycle	
2	Standard service, solenoid or remote
4	Continuous service solenoid

Enclosure "Class"	
10	Standard (NEMA 1 & 12) or remote
60*†	Hazardous duty (NEMA 7 & 9)
80†	NEMA 4

\* Voltage 49 / 53 only.  
 † Use with operator options 1 & 3 only, voltage 53 only.

Operator options	
Solenoid (basic) or remote	1
Solenoid with locking override	3
Solenoid w/ junction box & locking override	6
Solenoid w/ junction box & light (120VAC, 24VDC) & non-locking override	8
Solenoid w/ junction box & light (120VAC, 24VDC) & locking override	9

**Lubricated or Non-Lubricated Service**  
**3-position, Direct Pipe Ported, 3/8" & 1" Basic Size**

L 69 5 3 9 21 1 53 —

Type	
Double	69

Operator	
Remote	4
Solenoid	5

Size	
3/8" NPT inlet & cylinder 1/2" NPT exhaust	3
1/2" NPT inlet, cylinder & exhaust	4
1" NPT inlet & cylinder 1-1/4" NPT exhaust	8
1-1/4" NPT inlet cylinder & exhaust	9*

\* Not available operator option 4 - Remote pilot.

Lead length	
Blank	19" (Standard)

Voltage & frequency			
	60Hz	50Hz	DC
45			12
49			24
53	120	110	
57	240	220	
Blank	Remote		

Duty cycle	
1	Standard service, solenoid or remote
5	Continuous service solenoid

Enclosure "Class"	
<b>All ports blocked in neutral</b>	
21	Standard (NEMA 1 & 12) or remote
71*†	Hazardous duty (NEMA 7 & 9)
91†	NEMA 4
<b>Cylinder ports open to exhaust in neutral</b>	
22	Standard (NEMA 1 & 12) or remote
72*†	Hazardous duty (NEMA 7 & 9)
92†	NEMA 4
<b>Cylinder ports open to inlet in neutral</b>	
23	Standard (NEMA 1 & 12) or remote
73*†	Hazardous duty (NEMA 7 & 9)
93†	NEMA 4

\* Voltage 49 / 53 only.  
 † Use with operator options 1, 2 & 3 only, voltage 53 only.

  Most popular.



For inventory, lead time, and kit lookup, visit [www.pdnplu.com](http://www.pdnplu.com)

D253

**Parker Hannifin Corporation**  
 Pneumatic Division  
 Richland, Michigan  
[www.parker.com/pneumatics](http://www.parker.com/pneumatics)

D

Subbase & Manual Valves

H Series Micro

Moduflex Series

H Series ISO

Fieldbus Systems

DX ISOMAX Series

Valvair II Series



**Modular Pneumatic Controls Plug-In Sandwich Block Design for Modular Port Regulation**

These modular regulators assemble to any 3/8" basic valve interface pattern.

**Port Regulation Made Easy**

Place the sandwich on the manifold or subbase, tighten the four securing screws, then plug the valve into the sandwich and tighten its securing screws to complete the assembly.

Within minutes, these modular components can be installed in new, or used to improve existing manifold systems, without disturbing wiring or air connections.

**3-Configurations**

1. **Common Port Regulation** - A common regulated pressure is selected to both cylinder ports.
2. **Single Port Regulation** - Line pressure is available to one cylinder port, while a single regulated pressure is selected to the other cylinder port.
3. **Independent Port Regulation** - Two independently regulated pressures selected to the cylinder ports.

**NOTE:** When using single or independent port sandwich regulators, be aware that:

1. Cylinder port outlets are reversed.
2. 3-Position, cylinder ports open to exhaust and cylinder ports open to inlet functions are reversed. To produce a cylinder ports open to exhaust function, order valve with cylinder ports open to inlet. To produce a cylinder ports open to inlet function, order valve with cylinder ports open to exhaust.

**Manual or Remote** secondary pressure adjustment.

**Three Pressure Ranges** are standard for manual units:

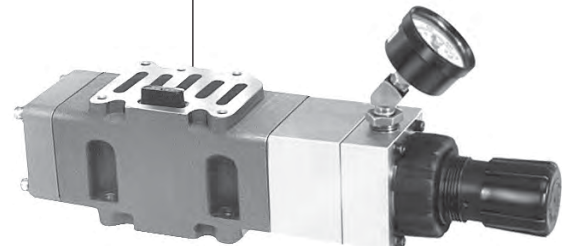
- 1-30 PSIG
- 1-60 PSIG
- 2-125 PSIG

**Range for Remote:** 0-140 PSIG

**Gauges** are furnished standard; liquid filled gauges are optional.



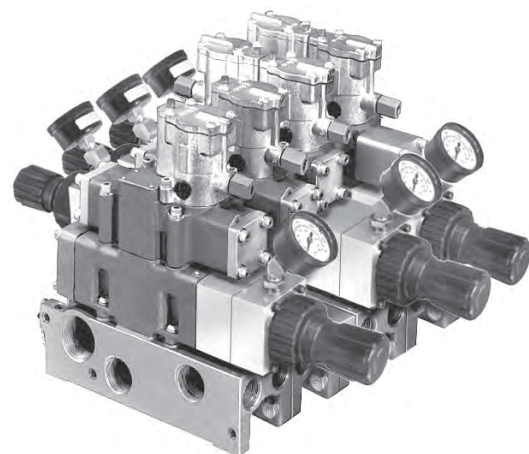
**Solenoid Valve Assembly**



**Regulator Assembly**



**Manifold**



**Typical Assembly**

**D**  
 Subbase & Manual Valves  
 H Series Micro  
 Modutlex Series  
 H Series ISO  
 Fieldbus Systems  
 DX ISOMAX Series  
 Valvair II Series



For inventory, lead times, and kit lookup, visit [www.pdnplu.com](http://www.pdnplu.com)



### Function - Single Port Regulation

This modular air pressure regulator assembly, when installed between a 3/8" basic, 4-Way valve and subbase or modular manifold, supplies one or more regulated pressures to one of the valve cylinder ports and supply pressure to the other cylinder port.

On Single Port Cylinder Port Regulation Units controlled by a single solenoid valve, cylinder port "B" is the normally open cylinder port. The solenoid is energized to open cylinder Port "A". On double solenoid operated valves, energizing solenoid "B" opens cylinder port "A" and energizing solenoid "A" opens cylinder port "B".

**Valve must be converted to external pilot supply.**

### Features

Regulated pressure output from the valve is adjusted by knob on the manually set model or by air pressure signal applied to the regulator pilot port on the remotely set model.

For reduced pressure at "A" cylinder port, the regulator is mounted per assembly "A" on end opposite the electrical junction box. For reduced pressure at "B" cylinder port the regulator is mounted per Assembly "B" which places the regulator over the electrical junction box.

Furnished with pressure gauge as standard.

### Pressure Range Options

Maximum Supply Pressure .....	140 PSIG
Output Pressure Range .....	1 - 30 PSIG
	1 - 60 PSIG
	2 - 125 PSIG

### Operating Temperature Range

32°F (0°C) to 175°F (79°C)

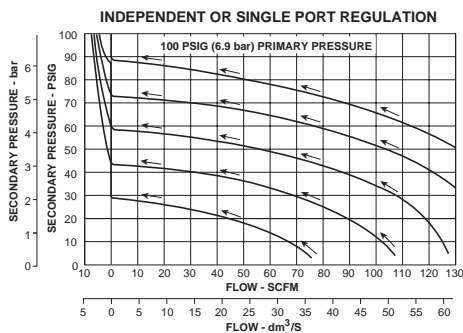
### How To Order

1. Select type of adjustment.
2. Select pressure range.
3. Select assembly style.

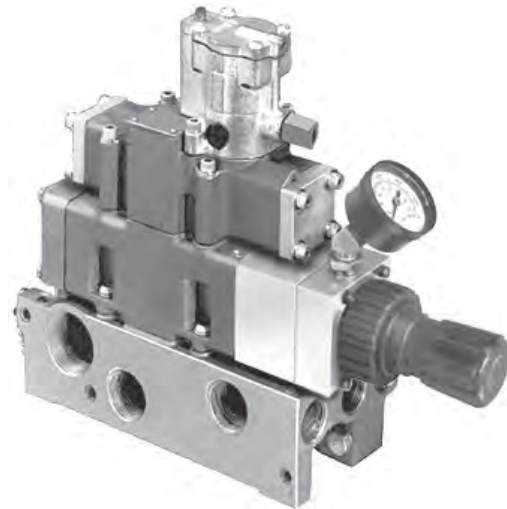
**Example:** Manual adjustment.  
5-60 PSIG, Port A reduced.

Model No. L55405307C

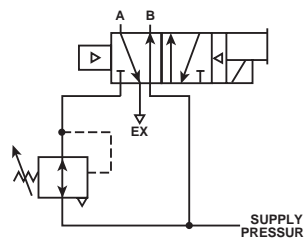
### Relief and Flow Characteristics



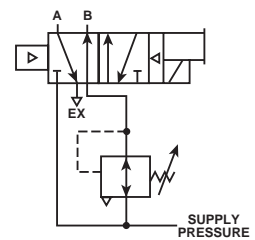
The above curves illustrate flow characteristics through an assembled valve, air regulator, and base (or modular manifold) unit.



Assembly "A"



Supply Pressure at "B" & Regulated at "A"



Supply Pressure at "A" & Regulated at "B"

Pressure adjustment	Pressure range PSIG	Model number	
		Reduced pressure Cyl. Port "A"	Cyl. Port "B"
Manual	1 - 60	L55405307C	L55407305C
	2 - 125	L55406307C	L55407306C
Remote	0 - 140	L55414307C	L55407314C

**Note:** When using single or independent port sandwich regulators, be aware that:

1. Cylinder port outlets are reversed.
2. 3-Position, cylinder ports open to exhaust and cylinder ports open to inlet functions are reversed. To produce a cylinder ports open to exhaust function, order valve with cylinder ports open to inlet. To produce a cylinder ports open to inlet function, order valve with cylinder ports open to exhaust.

See parts and accessories for gauges.

D

Subbase & Manual Valves

H Series Micro

Modulflex Series

H Series ISO

Fieldbus Systems

DX ISOMAX Series

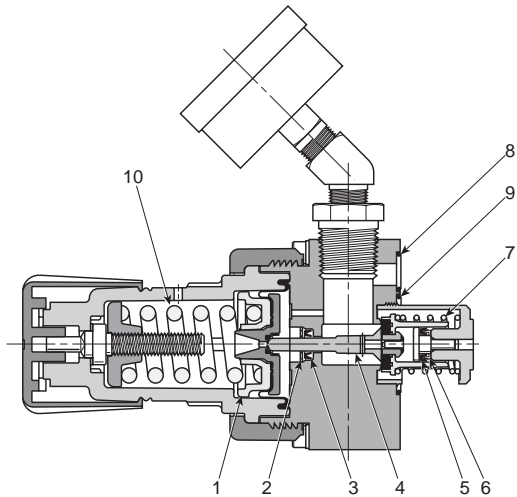
Valvair II Series



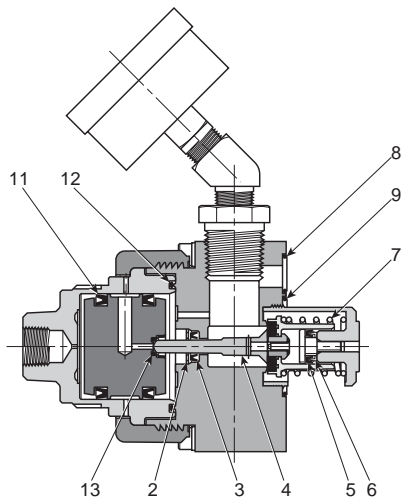
For inventory, lead times, and kit lookup, visit [www.pdnplu.com](http://www.pdnplu.com)



Manual Adjusting



Remote Operated



Replacement Parts

Item no.	Part number	Description
1	○	Diaphragm Assembly
2	○ ●	Retaining Ring
3	○ ●	Vee Packing
4	○ ●	Poppet Assembly
5	○ ●	Vee Packing
6	○ ●	Backflow Retainer
7	○ ●	Poppet Spring
8	○ ●	.989 ID x .070 W O-Ring
9	○ ●	1.301 ID x .070 W O-Ring
	<b>P01698</b>	1-30 PSI Spring
10	<b>P04062</b>	1-60 PSI Spring (Blue)
	<b>P04063</b>	2-125 PSI Spring
11	●	Vee Packing
12	●	1.674 ID x .103 W O-Ring
13	●	Vent Seal

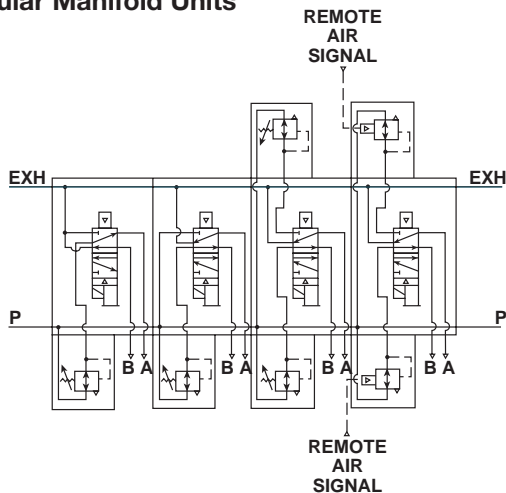
○ Parts included in K352409 service kit for manual operated modular regulators.

● Parts included in K352411 service kit for remote operated modular regulators.

Replacement Gauges

PSIG	Standard
0-60	<b>K4520N14060</b>
0-160	<b>K4520N14160</b>
0-300	<b>K4520N14300</b>

Suggested Schematic of Assembled Valve, Air Regulation and Modular Manifold Units



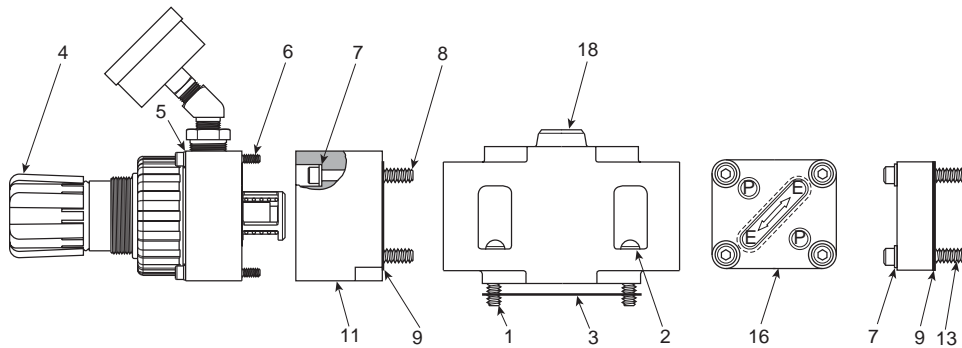
**D**  
 Subbase & Manual Valves  
 H Series Micro  
 Modulflex Series  
 H Series ISO  
 Fieldbus Systems  
 DX ISOMAX Series  
 Valvair II Series



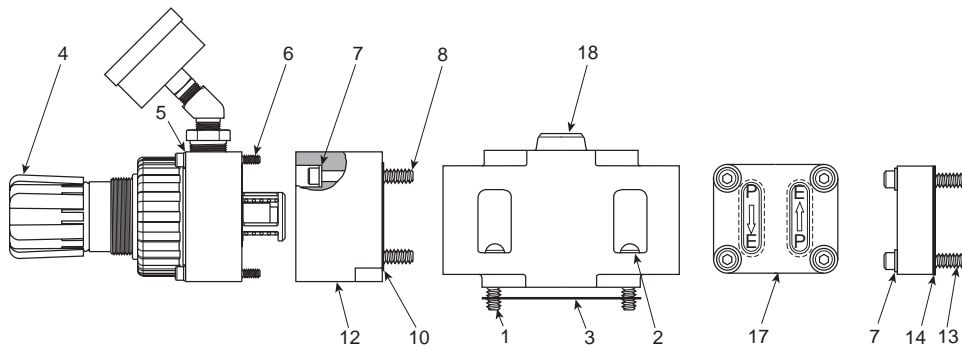
For inventory, lead times, and kit lookup, visit [www.pdnplu.com](http://www.pdnplu.com)



Common Port Regulation



Single Port Regulation



Independent Port Regulation

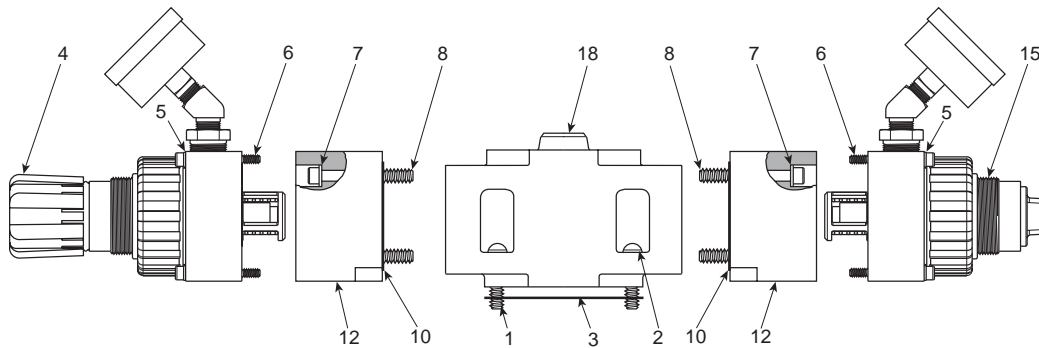


Table "E": Parts

Item No.	Part number	Description
1	<b>H09815</b>	Screw (4)
2	<b>H17512</b>	Lockwasher (4)
3	<b>K183077</b>	Gasket
4	Standard	Manual Reg. Assy. (w/Gauge)
	<b>K472001C</b>	1-30 PSIG
	<b>K472002C</b>	1-60 PSIG
5	<b>K472003C</b>	2-125 PSIG
	<b>H17509</b>	#10 Lockwasher
	<b>H10032</b>	#10-32 x 1.75" Lg. SHCS
7	<b>H17511</b>	1/4" Lockwasher
8	<b>H10069</b>	1/4-20 x 2.25" Lg. SHCS

Item No.	Part number	Description
9	<b>K183082</b>	Gasket
10	<b>K183084</b>	Gasket
11	<b>K043012</b>	Function Block (P to P)
12	<b>K043011</b>	Function Block (P to E)
13	<b>H100107</b>	1/4-20 x 1-1/2" Lg. SHCS
14	<b>K183083</b>	Gasket
15	Standard	Remote Reg. Assy. (w/Gauge)
	<b>K472009C</b>	0-140 PSIG
16	<b>K362308</b>	Function Plate Assy. (Incl. 7, 9, 13)
17	<b>K362307</b>	Function Plate Assy. (Incl. 7, 13, 14)
18	<b>K032270</b>	Body Assy. (Incl. 1, 2, 3)



For inventory, lead time, and kit lookup, visit [www.pdnplu.com](http://www.pdnplu.com)

D259

**Parker Hannifin Corporation**  
Pneumatic Division  
Richland, Michigan  
[www.parker.com/pneumatics](http://www.parker.com/pneumatics)

D

Subbase & Manual Valves

H Series Micro

Moduflex Series

H Series ISO


Fieldbus Systems

DX ISOMAX Series

Valvair II Series





**Plug-in Pilot**

 With indicator light	Description	Standard service		Special service	
	Override type	Locking	Non-locking	Locking	Non-locking
	With override (120VAC)	<b>K175903553</b>	<b>K175803553</b>	<b>K185902553</b>	<b>K185802553</b>
With override (Other than 120VAC)	<b>K1753035**</b>	—	<b>K1853025**</b>	—	



\*\* Voltage code - (reference model index for availability)

**NEMA 1 & 12**

 Basic Pilot	Description	Standard service		Special service	
	Override type	Locking	Non-locking	Locking	Non-locking
	Basic with override	<b>K0653035**</b>	—	<b>K0853025**</b>	—
 JIC Pilot	JIC with junction box & override	<b>K0656035**</b>	<b>K0655035**</b>	<b>K0856025**</b>	<b>K0855025**</b>
	JIC pilot with junction box & override & indicator lights (120VAC Only)	<b>K0659035**</b>	<b>K0658035**</b>	<b>K0859025**</b>	<b>K0858025**</b>

\*\* Voltage code - (reference model index for availability)

**NEMA 4, 7 & 9**

 Hazardous Duty	Description	Standard service		Special service	
	Override type	Locking	Non-locking	Locking	Non-locking
	Hazardous duty pilot - UL & CSA	<b>K0251035***</b>			<b>K0451025***</b>
 NEMA 4 Pilot	NEMA 4 pilot	<b>K2351035***†</b>		—	
	Hazardous duty with override	<b>K0253035***†</b>	<b>K0252035***†</b>	<b>K0453025***†</b>	<b>K0452025***†</b>
	NEMA 4 with override	—	<b>K2353035***†</b>	<b>K2352035***†</b>	—

† 49 / 53 only    \*\* Voltage code - (reference model index for availability)

**D**  
Subbase & Manual Valves

**Replacement Solenoid Coil**



Voltage code	Voltage			Coil number	
	60 Hz	50 Hz	DC	Plug-In	Flying lead (19") *
**					
49	—	—	24 <sup>†</sup>	<b>K593060</b> <b>K593274<sup>‡</sup></b>	<b>K593014</b>
53	120 <sup>†</sup>	110	—	<b>K593071</b> <b>K593125<sup>‡</sup></b>	<b>K593025</b>
57	240 <sup>†</sup>	220	—	<b>K593081</b>	<b>K593035</b>

Notes: **Bold Face** type indicated primary coil rating.  
 † Indicates voltages approved for solenoid operators designed for use in hazardous locations.  
 \* 19" Coil lead length is standard. Other lead lengths may be available, consult supplier.  
 ‡ Assembly includes indicator light socket, less light.

**Solenoid Characteristics Chart**  
Voltage Range +10/-15% of Nominal

3/8" & 3/4" Basic - L-Pilot

Voltage/ Cycles	Amps Inrush	Amps Holding	Resistance Ohms	Watts	Insulation Class
120/60VAC	.29	.18	122	12	B
110/50VAC	.21	.14	122	12	B
240/60VAC	.18	.12	610	12	B
24/60VAC	1.6	1.0	4.5	9.5	B
24/50VAC	1.2	.75	6.4	9.5	B
6VDC	—	1.4	4.5	7.6	B
12VDC	—	.66	17.7	9	B
24VDC	—	.32	71	9	B
48VDC	—	.22	216	11	B



For inventory, lead times, and kit lookup, visit [www.pdnplu.com](http://www.pdnplu.com)

D260

**Parker Hannifin Corporation**  
Pneumatic Division  
Richland, Michigan  
[www.parker.com/pneumatics](http://www.parker.com/pneumatics)

H Series Micro  
Modulflex Series  
H Series ISO  
Fieldbus Systems  
DX ISOMAX Series  
Valvair II Series

### Service Kits

To use this chart you must know the basic valve series, quantity, and type of operators, or the first three characters of the valve model number.

Basic valve	Solenoid operated *						
	Standard service (intermittent duty)	Special service ** (continuous duty)		Remote pilot operated			
Size Series (prefix)	Single	Double 2 & 3-position	Single	Double 2 & 3-position	Single	Double 2 & 3-position	
3/8"	L65	—	<b>K352126</b>	—	<b>K352127</b>	—	<b>K352355</b>
	L66	—	<b>K352126</b>	—	<b>K352127</b>	—	<b>K352355</b>
	L67	<b>K352124</b>	—	<b>K352125</b>	—	<b>K352362</b>	—
	L68	—	<b>K352126</b>	—	<b>K352127</b>	—	<b>K352355</b>
	L69	—	<b>K352126</b>	—	<b>K352127</b>	—	<b>K352355</b>
	L70	<b>K352124</b>	—	<b>K352125</b>	—	<b>K352362</b>	—
	L65	—	<b>K352130</b>	—	<b>K352131</b>	—	<b>K352360</b>
1"	L66	—	<b>K352130</b>	—	<b>K352131</b>	—	<b>K352360</b>
	L67	<b>K352128</b>	—	<b>K352129</b>	—	<b>K352359</b>	—
	L68	—	<b>K352130</b>	—	<b>K352131</b>	—	<b>K352360</b>
	L69	—	<b>K352130</b>	—	<b>K352131</b>	—	<b>K352360</b>
	L70	<b>K352128</b>	—	<b>K352129</b>	—	<b>K352359</b>	—

**Notes:**

\* Kits for solenoid operated valves include solenoid service kits.

\*\* Special service (continuous duty) solenoids may be identified as having gold colored solenoid tops.

### Blank Plate Kit - 3/8" Basic

Manifold assembly	Port size	Part number
<b>K142230</b>	3/8"	<b>K06020003</b>
<b>K142231</b>	1/2"	
<b>K142270</b>	3/4"	

Kit includes: Blank plate, gasket, mounting screws.

### Conversion Kits: Lubricated to Non-Lubricated Operation

Basic size	Operators (solenoid or remote pilot)	
	Single	Double (2-position)
3/8"	<b>K322012</b>	<b>K322013</b>

### Flush Type Hex Drive Pipe Plugs for Port Isolation

Size (NPTF)	Part number
1/8"	<b>K21R02012L</b>
1/4"	<b>K21R02025L</b>
3/8"	<b>K21R02037L</b>
1/2"	<b>K21R02050L</b>
3/4"	<b>K21R02075L</b>

### Interchangeable Manual Override Assemblies for Solenoid Operators



Non-locking type	Locking type
<b>K162001</b>	<b>K152003</b>

To override valve, use a flat head screwdriver to press in and rotate plunger 90° until plunger locks in place. For proper valve operation, override should be in the out position.

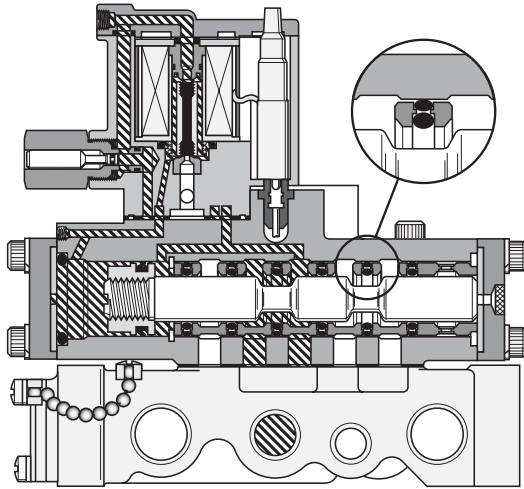
### Electrical Connectors Single or Double Solenoid Valves

Basic size	Valve body		Subbase / manifold	
	Single solenoid	Double solenoid	10" leads	72" leads
3/8"	<b>H02723</b>	<b>H02722</b>	<b>H02713</b>	<b>H02789</b>
1"				

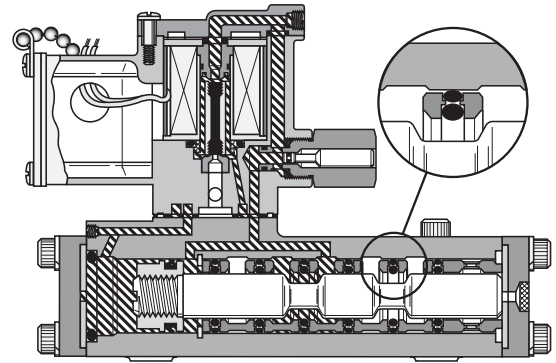


For inventory, lead time, and kit lookup, visit [www.pdnplu.com](http://www.pdnplu.com)

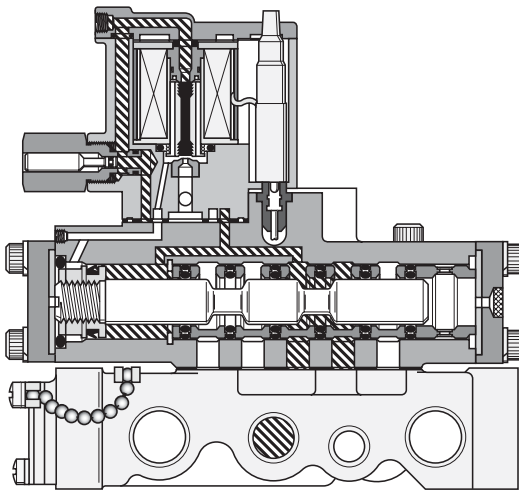
**Plug-In**  
 De-Energized



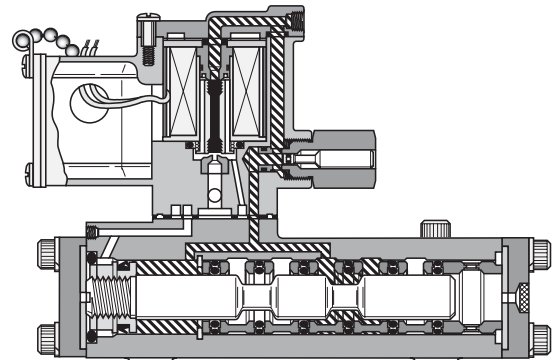
**Direct Pipe Ported**  
 De-Energized



**Energized**



**Energized**



 **Pressure**     **Exhaust**

D	Subbase & Manual Valves
H Series Micro	Modulflex Series
H Series ISO	Fieldbus Systems
DX ISOMAX Series	Valvair II Series



For inventory, lead times, and kit lookup, visit [www.pdnplu.com](http://www.pdnplu.com)

D262

**Parker Hannifin Corporation**  
 Pneumatic Division  
 Richland, Michigan  
[www.parker.com/pneumatics](http://www.parker.com/pneumatics)

### Flow Capacities

Valve Type	Cylinder Port Size (NPTF)	Mounting Style	Cv Flow Rating Inlet to Cylinder "A"
3/8" Single	3/8"	Direct Pipe	4.7
	1/2"	Direct Pipe	5.3
3/8" Double	3/8"	Direct Pipe	4.5
	1/2"	Direct Pipe	5.5
	3/4"	Subbase	5.0
	3/4"	Manifold	4.9
3/8" Double 3-Position	3/8"	Direct Pipe	4.1
	1/2"	Direct Pipe	4.5
	3/4"	Subbase	4.5
	3/4"	Manifold	4.1
1" Single & Double	1"	Direct Pipe	12.0
		Subbase	11.3

### Recommended Filtration

Maintained 40 Micron Filtration

### Life Expectancy

Valves designed for non-lubricated service as well as those designed for lubricated service will provide millions of maintenance free cycles. Under laboratory conditions service life exceeds 25,000,000 cycles.

### Factory Pre-Lubrication

Valves are lubricated at assembly with Sunaplex 781 or equivalent. Valves specified for vacuum service are lubricated with Dow Corning Valve Seal A.

### Valves for Non-Lubricated Service

3/8" basic valve sizes are designed to operate in applications where in-service lubrication is not desirable. Valves are factory pre-lubed as noted above. These valves may be used for lubricated service as well.

### Lubrication

Air Line Lubricant (compatible with Nitrile & Polyurethane seals) must readily atomize and be of the medium aniline type. Aniline point range must be between 180° and 220°F. Viscosity @ 100°F: 140-170 SUS.

### Recommended Lubricant

If in-service lubrication is required, use F442 oil, or equivalent. F442 is specially formulated to provide peak performance and maximum service life for air operated equipment.

## Subbase & Manifold Valve Products Valvair II Series

### Listing Agencies

#### General Purpose Approvals

CSA - Canadian Standards Association  
 File Number 42024

#### Hazardous Duty Approvals

UL - Underwriters Laboratories, Inc.  
 File Number E42542  
 Category Y107

CSA - Canadian Standards Association  
 File Number 24349

### Solenoid Enclosure Ratings

Type	Listing agency	NEMA rating	Description
Plug-In	CSA	1 & 12	General purpose indoor only dust tight
Conduit / flying lead	CSA	1 & 12	General purpose indoor only dust tight
* Conduit (as specified)	UL & CSA	7 & 9	Hazardous location see chart below)
* Conduit (as specified)	CSA	4	General purpose indoor / outdoor

\* See ordering information on specific valve type. (Direct Pipe Ported Valves Only.)

### Hazardous Duty Solenoid Listing

Valves with solenoid operators designated for hazardous locations are UL & CSA Approved as follows:

National electric code	Ambient conditions	NEMA Classification
Class I Div. 1 Group C	Ethyl, Ether, Etc., Gases & Vapors	VII (7)
Class I Div. 1 Group D	Gasoline, Etc., Gases & Vapors	VII (7)
Class I Div. 2 Group B	Butadiene, Etc., Liquid, Fluid or Vapor Normally Contained, or Atmosphere Ventilated	VII (7)
Class II Div. 1 Group E	Metal Dust	IX (9)
Class II Div. 1 Group F	Coal, Coke, Carbon Black Dust	IX (9)
Class II Div. 1 Group G	Flour, Starch, Grain Dust	IX (9)

See Article 500 - Hazardous (Classified) Locations, National Electric Code.



For inventory, lead time, and kit lookup, visit [www.pdnplu.com](http://www.pdnplu.com)

**Installation**

Valves should be installed with reasonable accessibility for service. Exercise care in keeping piping lengths to a minimum. Piping should be free of dirt, chips & scale. Pipe joint compound should be used sparingly applied only to the thread, never to the valve body. Avoid undue strain at piping joints. Protect the valve from exposure to extreme temperatures, dirt and moisture to maximize life.

**Note:** Valves equipped with locking manual overrides. Override(s) must be in the fully extended position for proper valve operation.

**Double Solenoid / Remote Caution**

**Note:** It is recommended that double solenoid and double remote 2-Position valves be mounted with the main spool in the horizontal plane.

**Wiring Instructions for Base Mounted Valves**

**Single Solenoid:**

Use wires marked "2" & "3" for connection. Units with DC Solenoids and indicator lights are polarity sensitive. Wire marked "3" is positive (+).

**Double Solenoid:**

Use wires marked "1" & "2" for Solenoid "A". Use wires marked "3" & "4" for Solenoid "B". Units with DC Solenoids and indicator lights are polarity sensitive. Wires marked "1" and "3" are positive.

**CAUTION:**

DC Solenoids are polarity sensitive. Observe polarities indicated above.

**Units with Flying Leads**

Wires are not polarity sensitive.

**CAUTION:**

DC solenoids with indicator lights and / or arc suppression coils are polarity sensitive. Use red wire as positive.

**"Special Service" Solenoid (Continuous Duty)**

Special Service Solenoids are designed for use when the solenoid duty cycle is greater than 70% or when energization times are for 10 minutes or longer.

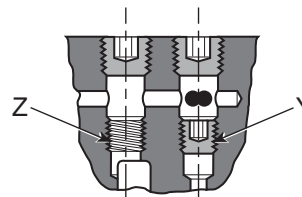
These solenoids should be used when valves are to be held energized for hours, days or weeks... or when extended ambient temperature operation is required. Apply the duty cycle formula to determine if this type of solenoid is required.

**Duty Cycle Formula**

$$\frac{\text{Time Energized}}{\text{Time Energized} + \text{Time Off}} \times 100 = \% \text{ Duty Cycle}$$

If Duty Cycle is 70% or greater, then Special Service (Continuous Duty) Solenoid should be used.

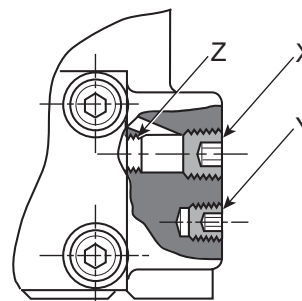
**Pilot Supply Conversion**



**Base Mounted**

For field conversion to external pilot supply, remove two 1/8" NPTF plugs from top of valve body and move bottom plug from "Y" to "Z".

Replace 1/8" NPTF plugs and connect pilot pressure to the 1/4" NPTF external pilot supply port "X" in subbase.



**Direct Pipe Ported**

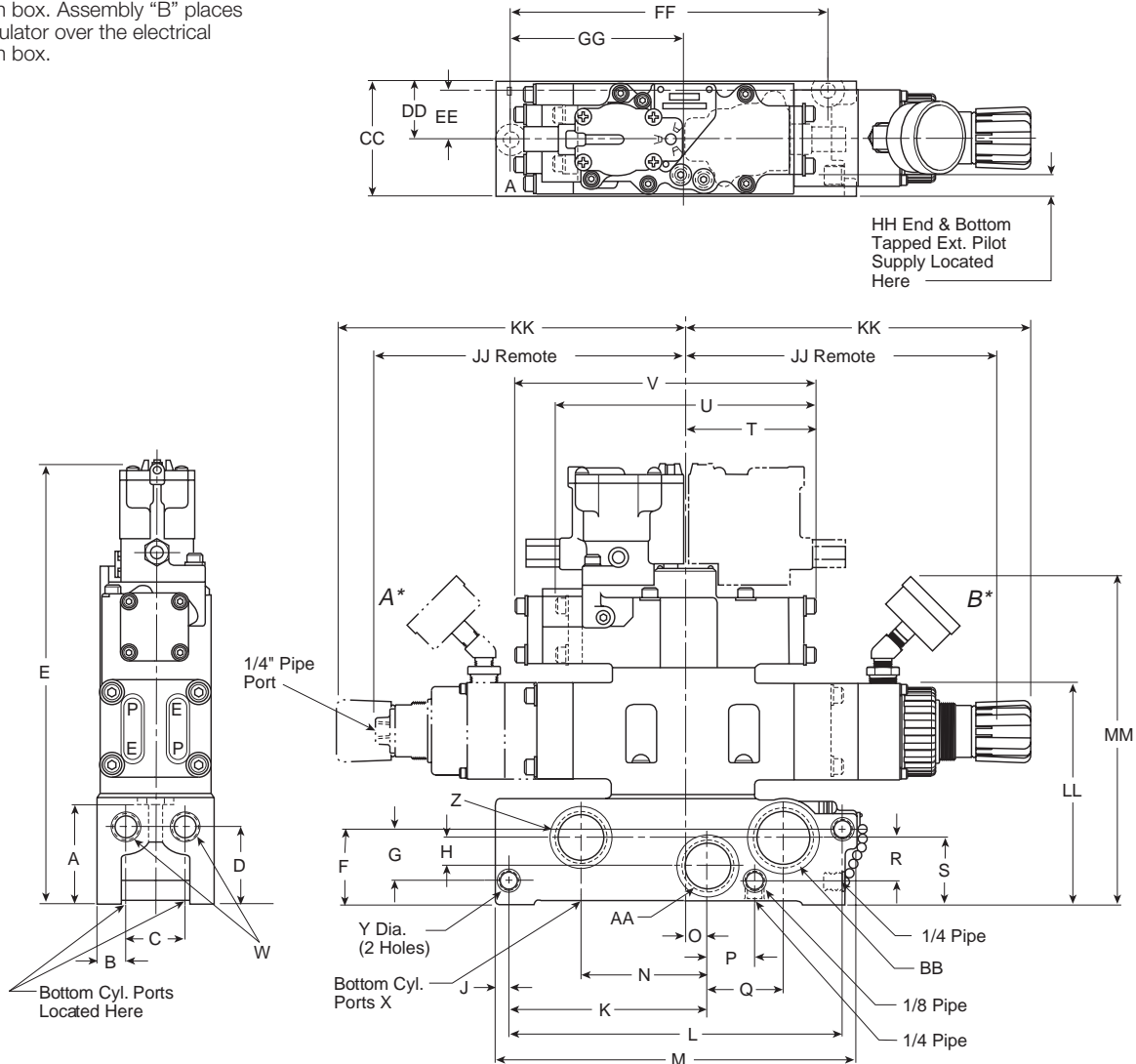
For field conversion to external pilot supply, remove and discard 1/4" NPTF plug in external pilot supply port "X". Move stored plug "Y" to location "Z" in bottom of pilot supply port "X". Then connect pilot pressure to port "X" in valve body.

D	Subbase & Manual Valves
	H Series Micro
H Series	Modulflex Series
	ISO
Fieldbus Systems	DX ISOMAX Series
	Valvair II Series



For inventory, lead times, and kit lookup, visit [www.pdnplu.com](http://www.pdnplu.com)

\* Assembly "A" places the regulator on the end opposite the electrical junction box. Assembly "B" places the regulator over the electrical junction box.



**Dimensions - 3/8" Basic Valve**

<b>A</b>	<b>B</b>	<b>C</b>	<b>D</b>	<b>E</b>	<b>F</b>	<b>G</b>	<b>H</b>	<b>J</b>	<b>K</b>	<b>L</b>	<b>M</b>	<b>N</b>	<b>O</b>
2.56 (65.0)	.75 (19.1)	1.50 (38.1)	2.09 (53.1)	11.28 (286.5)	2.06 (52.3)	1.41 (35.8)	.75 (19.1)	.34 (8.64)	5.00 (127.0)	8.44 (214.4)	9.09 (230.9)	3.19 (81.0)	.61 (15.5)
<b>P</b>	<b>Q</b>	<b>R</b>	<b>S</b>	<b>T</b>	<b>U</b>	<b>V</b>	<b>W</b>	<b>X</b>	<b>Y</b>	<b>Z</b>	<b>AA</b>	<b>BB</b>	<b>CC</b>
1.19 (30.2)	1.91 (48.5)	1.09 (27.7)	1.81 (46.0)	3.32 (84.3)	6.64 (168.7)	7.56 (192.0)	3/8", 1/2" or 3/4" NPTF	.39 (9.9)	1" NPTF	1" NPTF	1-1/4" NPTF	3.00 (76.2)	
<b>DD</b>	<b>EE</b>	<b>FF</b>	<b>GG</b>	<b>HH</b>	<b>JJ</b>	<b>KK</b>	<b>LL</b>	<b>MM</b>					
1.50 (38.1)	1.24 (31.5)	7.97 (202.4)	4.34 (110.2)	.40 (10.2)	8.53 (216.6)	10.15 (257.8)	5.46 (138.6)	8.80 (223.5)					

Inches (mm)



For inventory, lead time, and kit lookup, visit [www.pdnplu.com](http://www.pdnplu.com)

D265

**Parker Hannifin Corporation**  
 Pneumatic Division  
 Richland, Michigan  
[www.parker.com/pneumatics](http://www.parker.com/pneumatics)

**D**

Subbase & Manual  
 Valves

H Series  
 Micro

Moduflex  
 Series

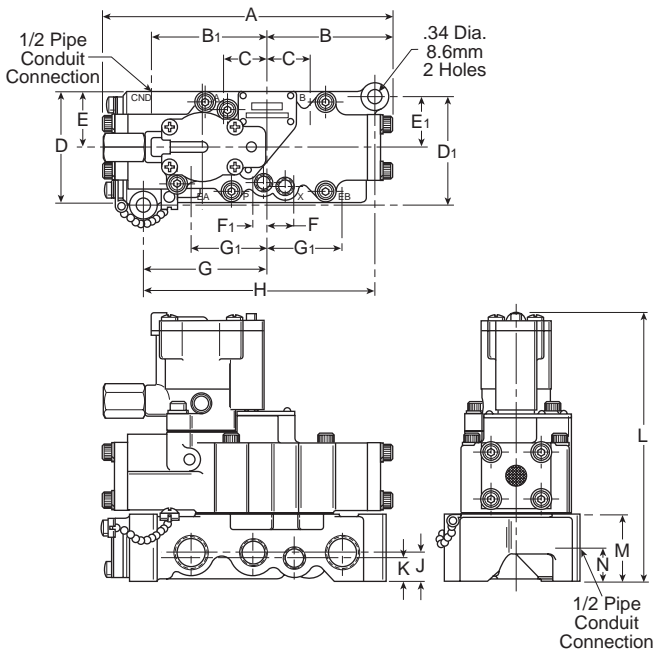
H Series  
 ISO

Fieldbus  
 Systems

DX ISOMAX  
 Series

Valvair II  
 Series

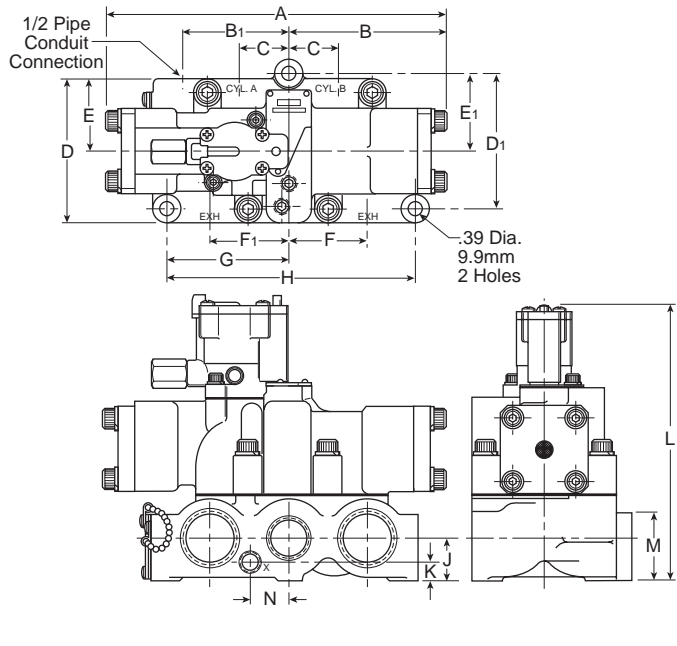




**L6753 3/8" Dimensions, Single Solenoid**

A	B	B <sub>1</sub>	C	D	D <sub>1</sub>	E	E <sub>1</sub>	F
7.56 (192)	3.32 (84.3)	2.94 (74.7)	1.12 (28.4)	2.88 (73.2)	2.84 (72.1)	1.44 (36.6)	1.34 (34)	.75 (19.1)
F <sub>1</sub>	G	G <sub>1</sub>	H	J	K	L	M	N
.38 (9.7)	3.16 (80.3)	2.00 (50.8)	6.03 (153.2)	.75 (19.1)	.62 (15.7)	6.93 (176)	1.75 (44.5)	1.00 (25.4)

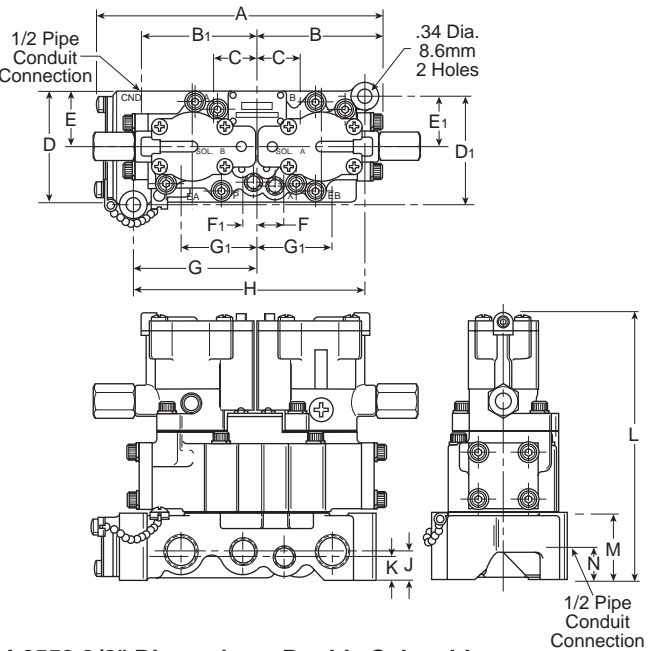
Inches (mm)



**L6758 1" Dimensions, Single Solenoid**

A	B	B <sub>1</sub>	C	D	D <sub>1</sub>	E	E <sub>1</sub>	F
10.46 (265.7)	4.75 (120.6)	2.94 (74.7)	3.38 (85.8)	4.56 (115.8)	4.28 (108.7)	2.28 (57.9)	2.44 (62)	2.45 (62.2)
F <sub>1</sub>	G	H	J	K	L	M	N	
2.46 (62.5)	3.81 (96.8)	7.62 (193.5)	1.31 (33.3)	.59 (15)	8.74 (222)	2.09 (53.1)	1.22 (31)	

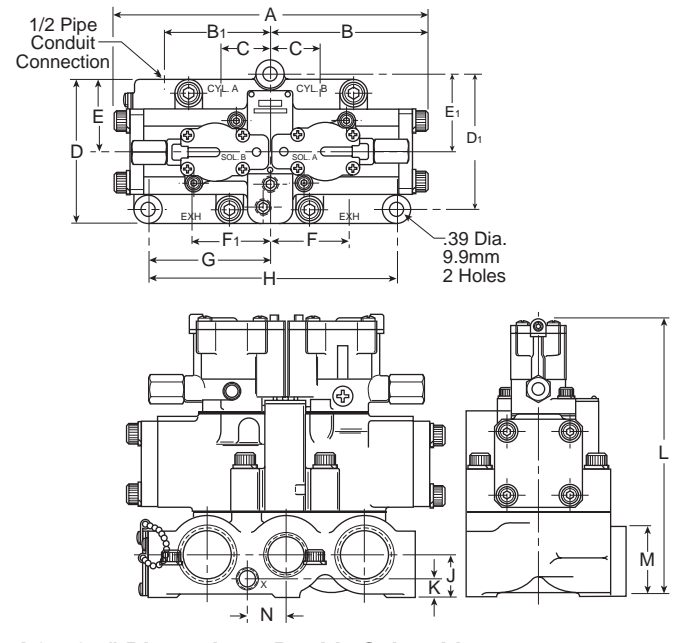
Inches (mm)



**L6553 3/8" Dimensions, Double Solenoid**

A	B	B <sub>1</sub>	C	D	D <sub>1</sub>	E	E <sub>1</sub>	F
7.38 (187.5)	3.32 (84.3)	2.94 (74.7)	1.12 (28.4)	2.88 (73.2)	2.84 (72.1)	1.44 (36.6)	1.34 (34)	.75 (19.1)
F <sub>1</sub>	G	G <sub>1</sub>	H	J	K	L	M	N
.38 (9.7)	3.16 (80.3)	2.00 (50.8)	6.03 (153.2)	.75 (19.1)	.62 (15.7)	6.93 (176)	1.75 (44.5)	1.00 (25.4)

Inches (mm)



**L6558 1" Dimensions, Double Solenoid**

A	B	B <sub>1</sub>	C	D	D <sub>1</sub>	E	E <sub>1</sub>	F
9.50 (241.3)	4.75 (120.6)	3.38 (85.8)	1.53 (38.9)	4.56 (115.8)	4.28 (108.7)	2.28 (57.9)	2.44 (62)	2.45 (62.2)
F <sub>1</sub>	G	H	J	K	L	M	N	
2.46 (62.5)	3.81 (96.8)	7.62 (193.5)	1.31 (33.3)	.59 (15)	8.74 (222)	2.09 (53.1)	1.22 (31)	

Inches (mm)

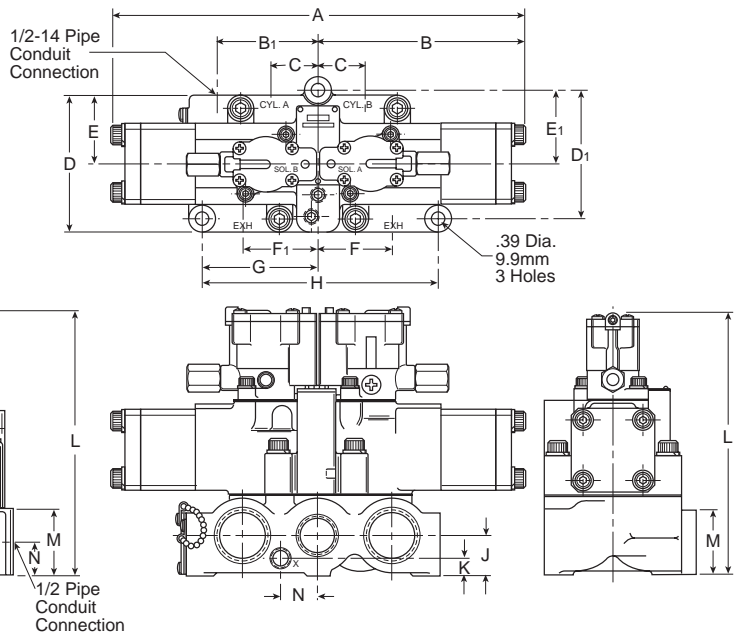
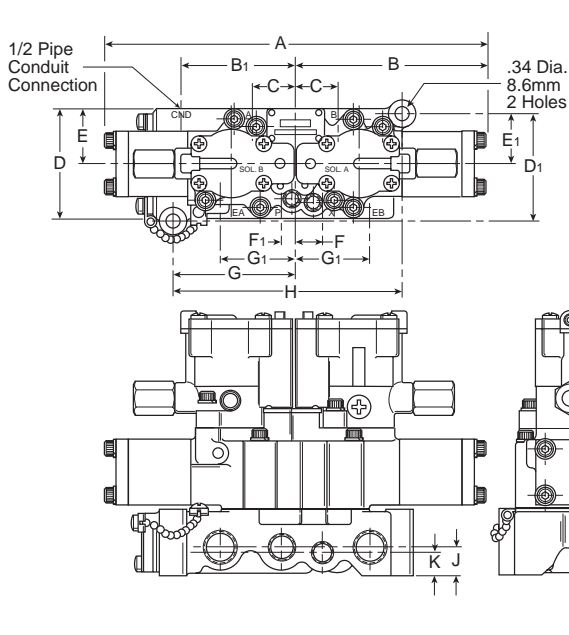
**D**  
 Subbase & Manual Valves  
 H Series Micro  
 Moduteflex Series  
 H Series ISO  
 Fieldbus Systems  
 DX ISOMAX Series  
 Valvair II Series



For inventory, lead times, and kit lookup, visit [www.pdnplu.com](http://www.pdnplu.com)

D266

**Parker Hannifin Corporation**  
 Pneumatic Division  
 Richland, Michigan  
[www.parker.com/pneumatics](http://www.parker.com/pneumatics)



**L6653 3/8" Dimensions, 3-Position, Double Solenoid**

A	B	B <sub>1</sub>	C	D	D <sub>1</sub>	E	E <sub>1</sub>	F
9.64	4.82	2.94	1.12	2.88	2.84	1.44	1.34	.75
(244.8)	(122.4)	(74.7)	(28.4)	(73.2)	(72.1)	(36.6)	(34)	(19.1)
F <sub>1</sub>	G	G <sub>1</sub>	H	J	K	L	M	
.38	3.16	2.00	6.03	.75	.62	6.93	1.00	
(9.7)	(80.3)	(50.8)	(153.2)	(19.1)	(15.7)	176	(25.4)	

Inches (mm)

**L6658 1" Dimensions, 3-Position, Double Solenoid**

A	B	B <sub>1</sub>	C	D	D <sub>1</sub>	E	E <sub>1</sub>	F
13.62	6.81	3.38	1.53	4.56	4.28	2.28	2.44	2.45
(345.9)	(173)	(85.8)	(38.9)	(115.8)	(108.7)	(57.9)	(62)	(62.2)
F <sub>1</sub>	G	H	J	K	L	M	N	
2.46	3.81	7.62	1.31	.59	8.74	2.09	1.22	
(62.5)	(96.8)	(193.5)	(33.3)	(15)	(222)	(53.1)	(31)	

Inches (mm)

**D**

Subbase & Manual Valves

H Series Micro

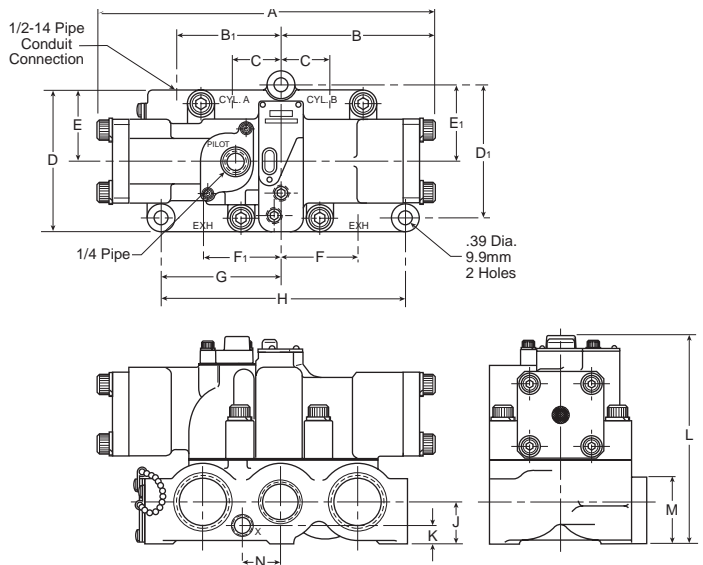
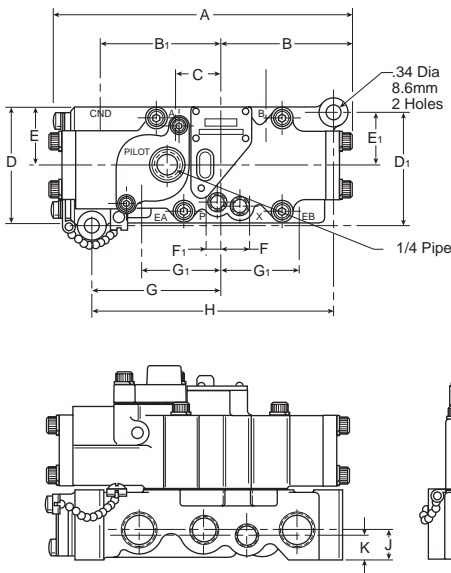
Moduflex Series

H Series ISO

Fieldbus Systems

DX ISOMAX Series

Valvair II Series



**L6743 3/8" Dimensions, Single Remote Pilot**

A	B	B <sub>1</sub>	C	D	D <sub>1</sub>	E	E <sub>1</sub>	F
7.56	3.32	2.94	1.12	2.88	2.84	1.44	1.34	.75
(192)	(84.3)	(74.7)	(28.4)	(73.2)	(72.1)	(36.6)	(34)	(19.1)
F <sub>1</sub>	G	G <sub>1</sub>	H	J	K	L	M	
.38	3.16	2.00	6.03	.75	.62	4.76	1.75	
(9.7)	(80.3)	(50.8)	(153.2)	(19.1)	(15.7)	(120.9)	(44.5)	

Inches (mm)

**L6748 1" Dimensions, Single Remote Pilot**

A	B	B <sub>1</sub>	C	D	D <sub>1</sub>	E	E <sub>1</sub>	F
10.46	4.75	3.38	1.53	4.56	4.28	2.28	2.44	2.45
(265.7)	(120.6)	(85.8)	(38.9)	(115.8)	(108.7)	(57.9)	(62)	(62.2)
F <sub>1</sub>	G	H	J	K	L	M	N	
2.46	3.81	7.62	1.31	.59	6.57	2.09	1.22	
(62.5)	(96.8)	(193.5)	(33.3)	(15)	(166.9)	(53.1)	(31)	

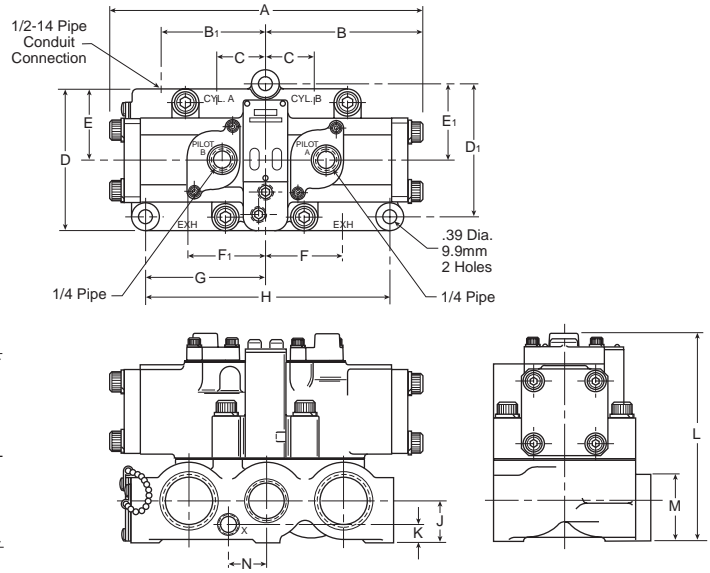
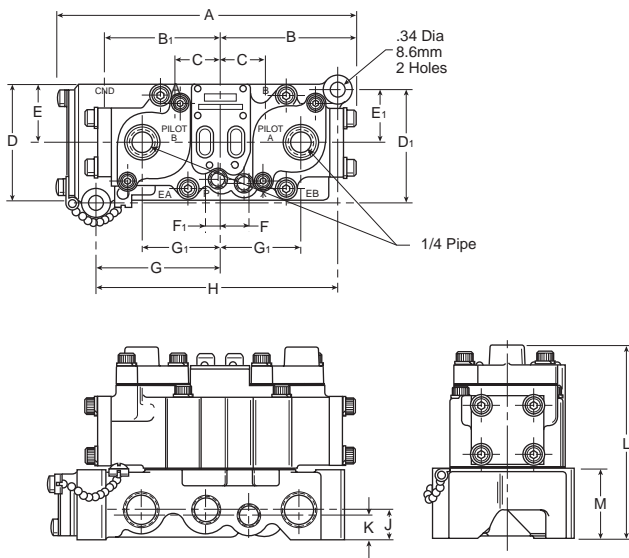
Inches (mm)



For inventory, lead time, and kit lookup, visit [www.pdnplu.com](http://www.pdnplu.com)

D267

**Parker Hannifin Corporation**  
 Pneumatic Division  
 Richland, Michigan  
[www.parker.com/pneumatics](http://www.parker.com/pneumatics)



**L6543 3/8" Dimensions, Double Remote Pilot**

A	B	B <sub>1</sub>	C	D	D <sub>1</sub>	E	E <sub>1</sub>	F
7.56 (192)	3.32 (84.3)	2.94 (74.7)	1.12 (28.4)	2.88 (73.2)	2.84 (72.1)	1.44 (36.6)	1.34 (34)	.75 (19.1)
F <sub>1</sub>	G	G <sub>1</sub>	H	J	K	L	M	
.38 (9.7)	3.16 (80.3)	2.00 (50.8)	6.03 (153.2)	.75 (19.1)	.62 (15.7)	4.76 (120.9)	1.75 (44.5)	

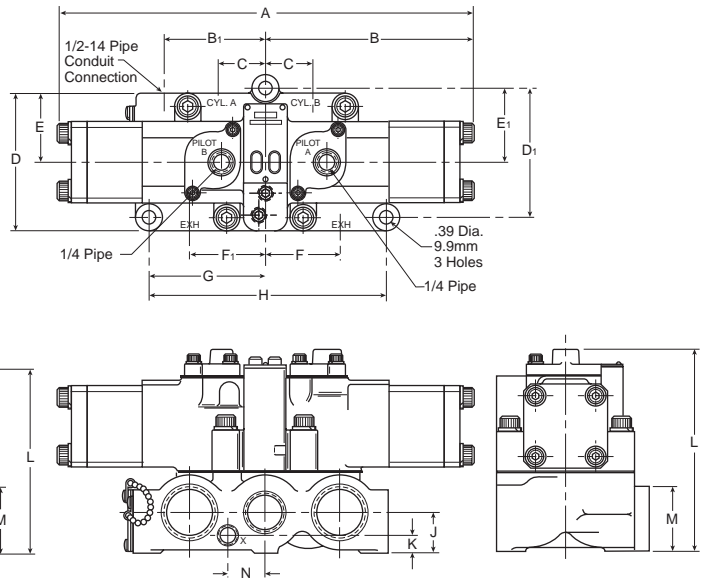
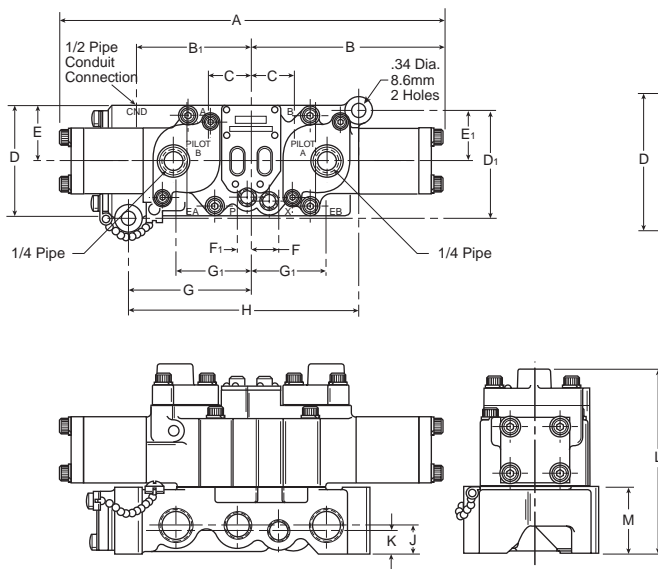
Inches (mm)

**L6548 1" Dimensions, Double Remote Pilot**

A	B	B <sub>1</sub>	C	D	D <sub>1</sub>	E	E <sub>1</sub>	F
9.50 (241.3)	4.75 (120.6)	3.38 (85.8)	1.53 (38.9)	4.56 (115.8)	4.28 (108.7)	2.28 (57.9)	2.44 (62)	2.45 (62.2)
F <sub>1</sub>	G	H	J	K	L	M	N	
2.46 (62.5)	3.81 (96.8)	7.62 (193.5)	1.31 (33.3)	.59 (15)	6.57 (166.9)	2.09 (53.1)	1.22 (31)	

Inches (mm)

**D**  
 Subbase & Manual Valves  
 H Series Micro  
 Moduteflex Series  
 H Series ISO  
 Fieldbus Systems  
 DX ISOMAX Series  
 Valvair II Series



**L6643 3/8" Dimensions, 3-Position, Remote Pilot**

A	B	B <sub>1</sub>	C	D	D <sub>1</sub>	E	E <sub>1</sub>	F
9.64 (244.8)	4.82 (122.4)	2.94 (74.7)	1.12 (28.4)	2.88 (73.2)	2.84 (72.1)	1.44 (36.6)	1.34 (34)	.75 (19.1)
F <sub>1</sub>	G	G <sub>1</sub>	H	J	K	L	M	
.38 (9.7)	3.16 (80.3)	2.00 (50.8)	6.03 (153.2)	.75 (19.1)	.62 (15.7)	4.76 (120.9)	1.75 (44.5)	

Inches (mm)

**L6648 1" Dimensions, 3-Position, Remote Pilot**

A	B	B <sub>1</sub>	C	D	D <sub>1</sub>	E	E <sub>1</sub>	F
13.62 (345.9)	6.81 (173)	3.38 (85.8)	1.53 (38.9)	4.56 (115.8)	4.28 (108.7)	2.28 (57.9)	2.44 (62)	2.45 (62.2)
F <sub>1</sub>	G	H	J	K	L	M	N	
2.46 (62.5)	3.81 (96.8)	7.62 (193.5)	1.31 (33.3)	.59 (15)	6.57 (166.8)	2.09 (53.1)	1.22 (31)	

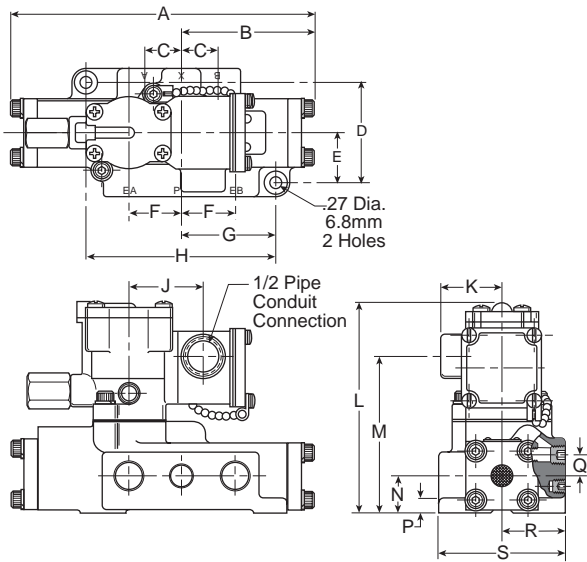
Inches (mm)



For inventory, lead times, and kit lookup, visit [www.pdnplu.com](http://www.pdnplu.com)

D268

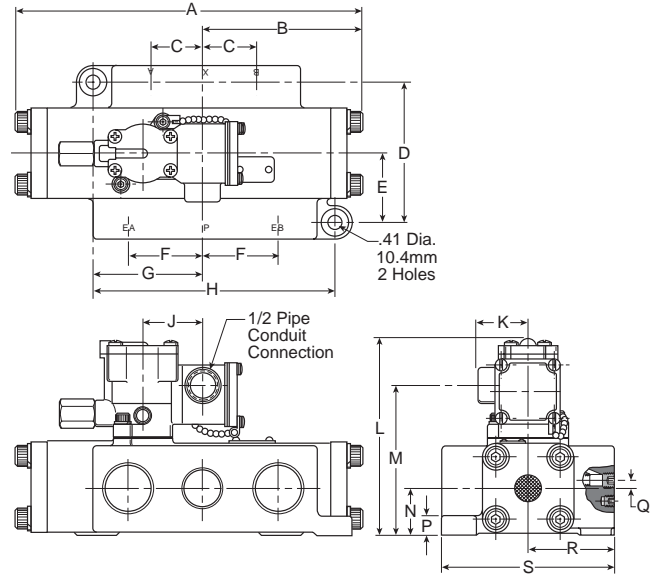
**Parker Hannifin Corporation**  
 Pneumatic Division  
 Richland, Michigan  
[www.parker.com/pneumatics](http://www.parker.com/pneumatics)



**L705 3/8" Dimensions, Single Solenoid**

A	B	C	D	E	F	G	H	J
7.56	3.32	.90	2.56	1.28	1.33	2.34	4.69	1.82
(192)	(84.3)	(22.9)	(65)	(32.5)	(33.8)	(59.4)	(119.1)	(46.2)
K	L	M	N	P	Q	R	S	
1.50	5.35	3.91	.94	.38	.53	1.62	3.25	
(38.1)	(135.9)	(99.3)	(23.9)	(9.7)	(13.5)	(41.1)	(82.6)	

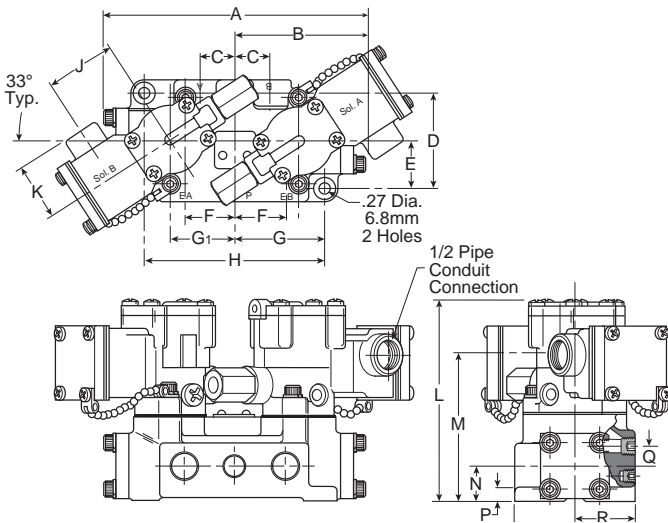
Inches (mm)



**L705 1" Dimensions, Single Solenoid**

A	B	C	D	E	F	G	H	J
10.46	4.75	1.62	4.25	2.12	2.19	3.44	7.44	1.82
(265.7)	(120.6)	(41.1)	(108)	(53.8)	(55.6)	(87.4)	(189)	(46.2)
K	L	M	N	P	Q	R	S	
1.50	6.44	4.95	1.50	.69	.20	2.62	5.25	
(38.1)	(163.6)	(125.7)	(38.1)	(17.5)	(5.1)	(66.5)	(133.4)	

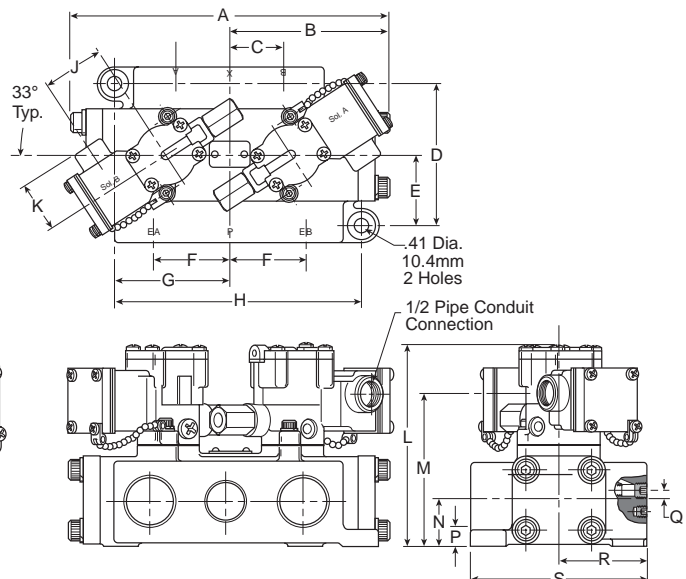
Inches (mm)



**L685 3/8" Dimensions, Double Solenoid**

A	B	C	D	E	F	G	G <sub>1</sub>	H
7.56	3.32	.90	2.56	1.28	1.33	2.34	1.66	4.69
(192)	(84.3)	(22.9)	(65)	(32.5)	(33.8)	(59.4)	(42.4)	(119.1)
J	K	L	M	N	P	Q	R	S
1.82	1.50	5.35	3.91	.94	.38	.53	1.62	3.25
(46.2)	(38.1)	(135.9)	(99.3)	(23.9)	(9.7)	(13.5)	(41.1)	(82.6)

Inches (mm)



**L685 1" Dimensions, Double Solenoid**

A	B	C	D	E	F	G	H	J
9.50	4.75	1.62	4.25	2.12	2.19	3.44	7.44	1.82
(241.3)	(120.6)	(41.1)	(108)	(53.8)	(55.6)	(87.4)	(189)	(46.2)
K	L	M	N	P	Q	R	S	
1.50	6.44	4.95	1.50	.69	.20	2.62	5.25	
(38.1)	(163.6)	(125.7)	(38.1)	(17.5)	(5.1)	(66.5)	(133.4)	

Inches (mm)



For inventory, lead time, and kit lookup, visit [www.pdnplu.com](http://www.pdnplu.com)

D269

**Parker Hannifin Corporation**  
 Pneumatic Division  
 Richland, Michigan  
[www.parker.com/pneumatics](http://www.parker.com/pneumatics)

**D**

Subbase & Manual Valves

H Series Micro

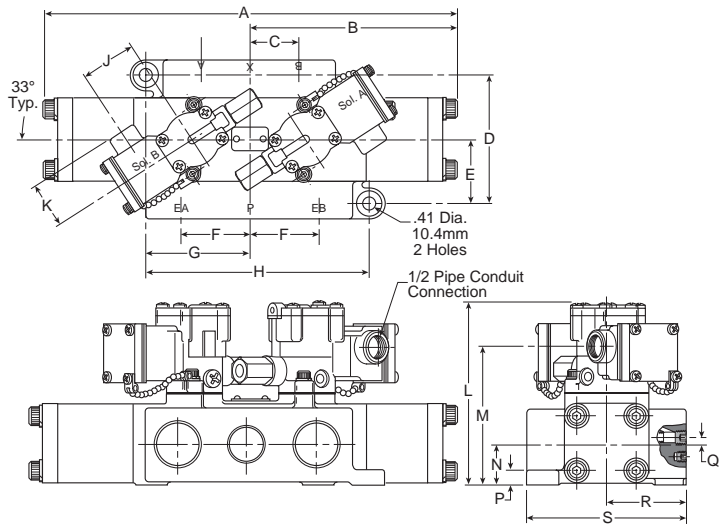
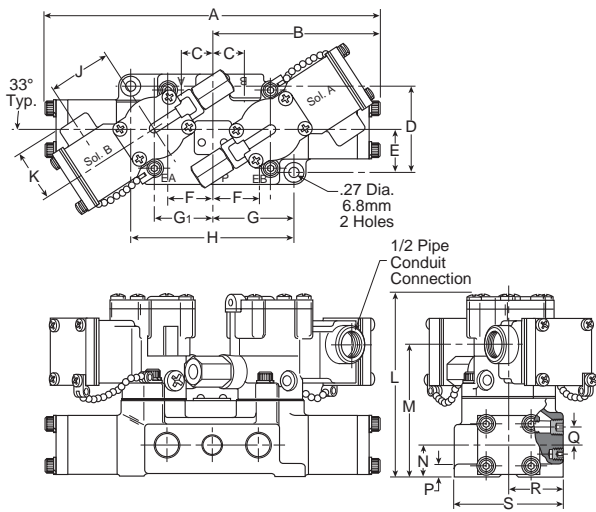
Moduflex Series

H Series ISO

Fieldbus Systems

DX ISOMAX Series

Valvair II Series



**L695 3/8" Dimensions, 3-Position Double Solenoid**

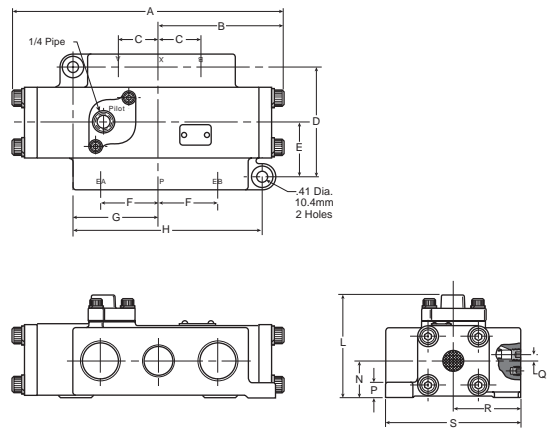
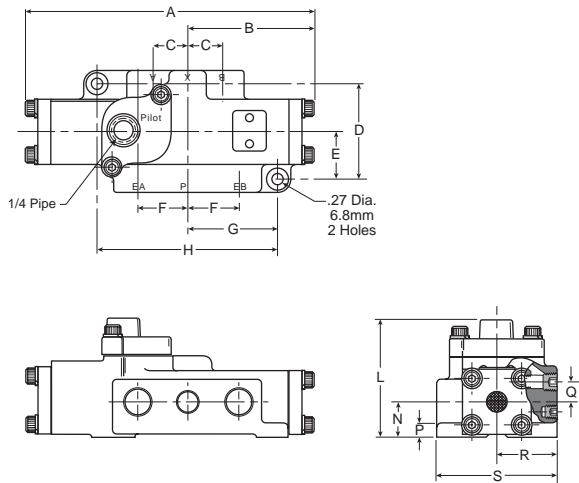
A	B	C	D	E	F	G	G <sub>1</sub>	H
9.64 (244.8)	4.82 (122.4)	.90 (22.9)	2.56 (65)	1.28 (32.5)	1.33 (33.8)	2.34 (59.4)	1.66 (42.4)	4.69 (119.1)
J	K	L	M	N	P	Q	R	S
1.82 (46.2)	1.50 (38.1)	5.35 (135.9)	3.91 (99.3)	.94 (23.9)	.38 (9.7)	.53 (13.5)	1.62 (41.1)	3.25 (82.6)

Inches (mm)

**L695 1" Dimensions, 3-Position, Double Solenoid**

A	B	C	D	E	F	G	H	J
13.63 (346.2)	6.81 (173)	1.62 (41.1)	4.25 (108)	2.12 (53.8)	2.19 (55.6)	3.44 (87.4)	7.44 (189)	1.82 (46.2)
K	L	M	N	P	Q	R	S	
1.50 (38.1)	6.44 (163.6)	4.95 (125.7)	1.50 (38.1)	.69 (17.5)	.20 (5.1)	2.62 (66.5)	5.25 (133.4)	

Inches (mm)



**L704 3/8" Dimensions, Single Remote Pilot**

A	B	C	D	E	F	G	H	L
7.56 (192)	3.32 (84.3)	.90 (22.9)	2.56 (65)	1.28 (32.5)	1.33 (33.8)	2.34 (59.4)	4.69 (119.1)	3.18 (80.8)
N	P	Q	R	S				
.94 (23.9)	.38 (9.7)	.53 (13.5)	1.62 (41.1)	3.25 (82.6)				

Inches (mm)

**L704 1" Dimensions, Single Remote Pilot**

A	B	C	D	E	F	G	H	L
10.46 (265.7)	4.75 (120.6)	1.62 (41.1)	4.25 (108)	2.12 (53.8)	2.19 (55.6)	3.44 (87.4)	7.44 (189)	4.09 (103.9)
N	P	Q	R	S				
1.50 (38.1)	.69 (17.5)	.20 (5.1)	2.62 (66.5)	5.25 (133.4)				

Inches (mm)

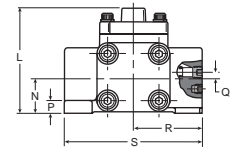
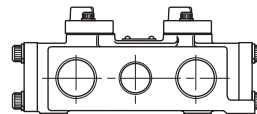
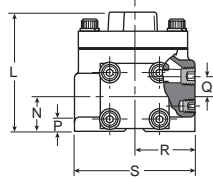
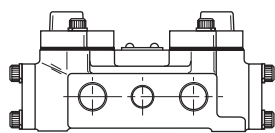
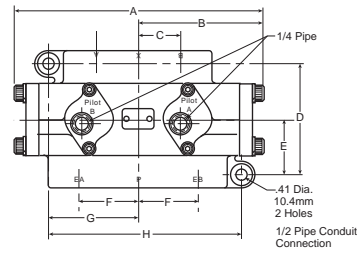
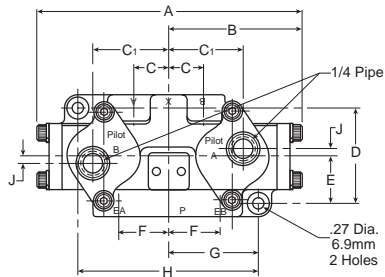
**D**  
 Subbase & Manual Valves  
 H Series Micro  
 Moduteflex Series  
 H Series ISO  
 Fieldbus Systems  
 DX ISOMAX Series  
 Valvair II Series



For inventory, lead times, and kit lookup, visit [www.pdnplu.com](http://www.pdnplu.com)

D270

**Parker Hannifin Corporation**  
 Pneumatic Division  
 Richland, Michigan  
[www.parker.com/pneumatics](http://www.parker.com/pneumatics)



**L684 3/8" Dimensions, Double Remote Pilot**

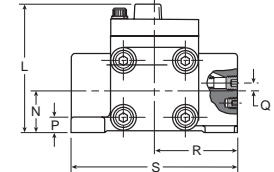
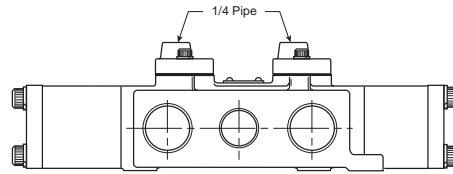
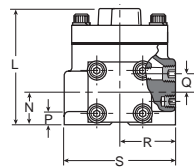
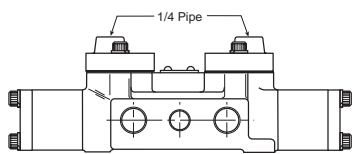
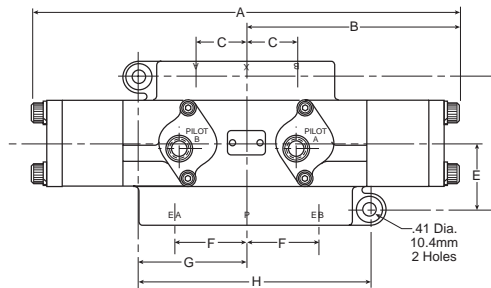
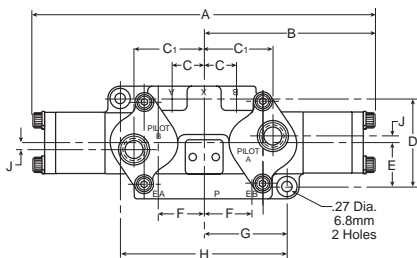
A	B	C	C <sub>1</sub>	D	E	F	G	H
6.64	3.32	.90	1.98	2.56	1.28	1.33	2.34	4.69
(168.7)	(84.3)	(22.9)	(50.3)	(65)	(32.5)	(33.8)	(59.4)	(119.1)
J	L	N	P	Q	R	S		
.22	3.05	.94	.38	.53	1.62	3.25		
(5.6)	(77.5)	(23.9)	(9.7)	(13.5)	(41.1)	(82.6)		

Inches (mm)

**L684 1" Dimensions, Double Remote Pilot**

A	B	C	D	E	F	G	H	L
9.50	4.75	1.62	4.25	2.12	2.19	3.44	7.44	4.09
(241.3)	(120.6)	(41.1)	(108)	(53.8)	(55.6)	(87.4)	(189)	(103.9)
N	P	Q	R	S				
1.50	.69	.20	2.62	5.25				
(38.1)	(17.5)	(5.1)	(66.5)	(133.4)				

Inches (mm)



**L694 3/8" Dimensions, 3-Position, Double Remote Pilot**

A	B	C	C <sub>1</sub>	D	E	F	G	H
9.64	4.82	.90	1.98	2.56	1.28	1.33	2.34	4.69
(244.8)	(122.4)	(22.9)	(50.3)	(65)	(32.5)	(33.8)	(59.4)	(119.1)
J	L	N	P	Q	R	S		
.22	3.05	.94	.38	.53	1.62	3.25		
(5.6)	(77.5)	(23.9)	(9.7)	(13.5)	(41.1)	(82.6)		

Inches (mm)

**L694 1" Dimensions, 3-Position, Double Remote Pilot**

A	B	C	D	E	F	G	H	L
13.63	6.81	1.62	4.25	2.12	2.19	3.44	7.44	6.44
(346.2)	(173)	(41.1)	(108)	(53.8)	(55.6)	(87.4)	(189)	(163.6)
N	P	Q	R	S				
1.50	.69	.20	2.62	5.25				
(38.1)	(17.5)	(5.1)	(66.5)	(133.4)				

Inches (mm)



For inventory, lead time, and kit lookup, visit [www.pdnplu.com](http://www.pdnplu.com)

D271

**Parker Hannifin Corporation**  
 Pneumatic Division  
 Richland, Michigan  
[www.parker.com/pneumatics](http://www.parker.com/pneumatics)

**D**

Subbase & Manual Valves

H Series Micro

Moduflex Series

H Series ISO

Fieldbus Systems

DX ISOMAX Series

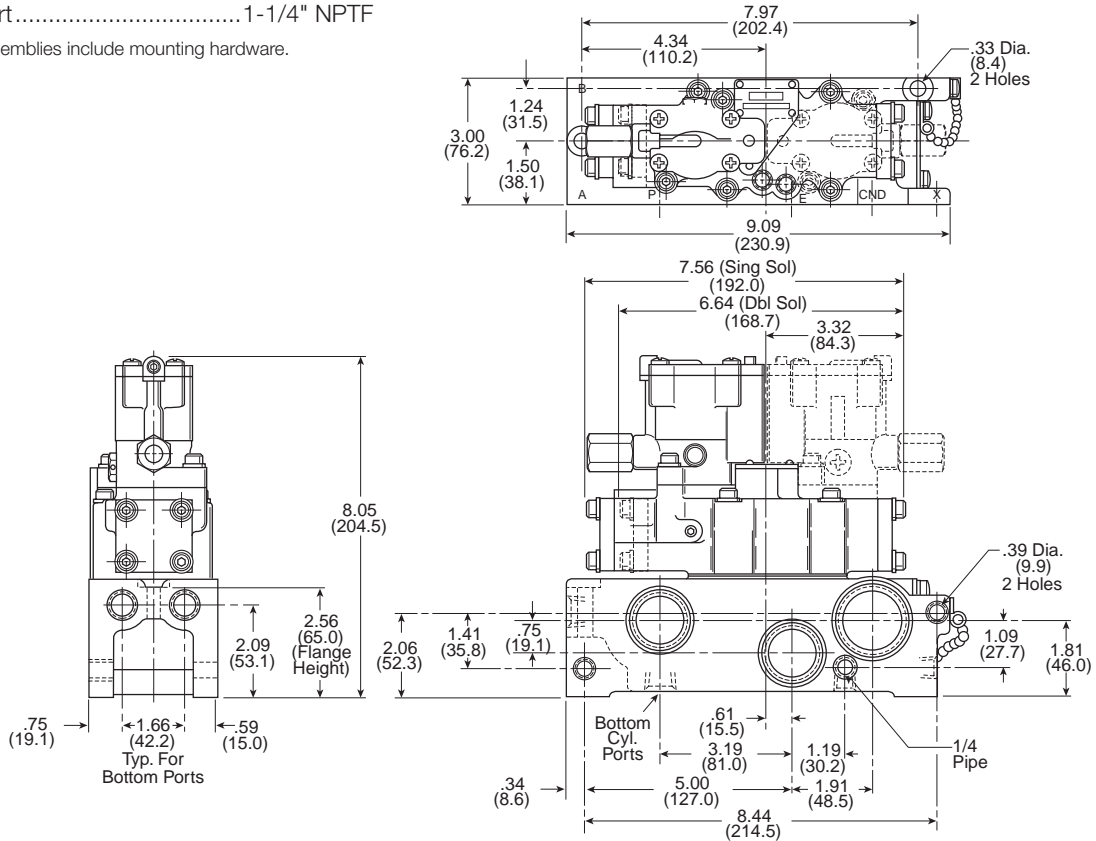
Valvair II Series



**Plug-in Manifold, 3/8" Basic**

- K142230 .....Cylinder ports 3/8" NPTF
- K142231 .....Cylinder ports 1/2" NPTF
- K142270 .....Cylinder ports 3/4" NPTF
- Exhaust port..... 1" NPTF
- Inlet port..... 1" NPTF
- Conduit port..... 1-1/4" NPTF

**Note:** Manifold assemblies include mounting hardware.



D	Subbase & Manual Valves
H Series Micro	Modulflex Series
H Series ISO	Fieldbus Systems
DX ISOMAX Series	Valvair II Series



For inventory, lead times, and kit lookup, visit [www.pdnplu.com](http://www.pdnplu.com)



For inventory, lead time, and kit lookup, visit [www.pdnplu.com](http://www.pdnplu.com)

**Parker Hannifin Corporation**  
Pneumatic Division  
Richland, Michigan  
[www.parker.com/pneumatics](http://www.parker.com/pneumatics)

# D

Subbase & Manual  
Valves

H Series  
Micro

Moduflex  
Series

H Series  
ISO

Fieldbus  
Systems

DX ISOMAX  
Series

Valvair II  
Series

**Pneumatic Valve Products**  
**Manual / Mechanical Series**



**Directair 2 / Directair 4 Series**

Features	E2
Common Part Numbers / Ordering Information	E3-E6
Technical Data	E7-E8
Dimensional Data	E9-E13



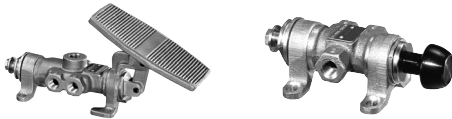
**Viking Xtreme Lever Series**

Features	E14
Common Part Numbers / Ordering Information	E15-E16
Accessories	E17
Dimensional Data	E17a-E20



**42 Lever / Pedal Series**

Features	E21
Common Part Numbers / Ordering Information	E22
Dimensional Data	E23



**MO Series**

Features	E24
Common Part Numbers / Ordering Information	E25-E27
Accessories	E28
Technical Data	E29-E35
Dimensional Data	E36-E51

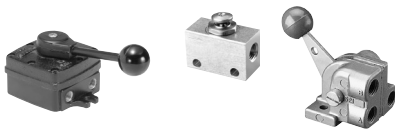


**Safety**

Lockout Valves	E52-E59
Two Hand Control	E60-E61

**Brass Poppet / Sliding Seal**

PL / VL Series	E62-E63
HV Series	E64
Sliding Seal Valves	E65
Button Operated Valves	E66
Hand / Cam Operated Valves	E67
Bleed Valves	E68



**Control Panel Products**

Features	E69
Accessories	E70-E73
Technical / Dimensional Data	E74-E76



**Sensing Products, Limit Switches**

Features	E77
Technical / Dimensional Data	E81-E85



Features

**Directair 2 & 4 Series**

**Directair 2, 1/8" valves**  
Poppet style – .17 Cv

- Economical
- 3-way normally closed function

**Directair 2, 1/8" valves**  
Packed bore style – .20 Cv

- Stainless steel spool
- Fluorocarbon o-rings
- 3-way & 4-way

**Directair 4, 1/4" valves**  
Packed bore style – .83 Cv

- Stainless steel spool
- Fluorocarbon o-rings
- 3-way & 4-way

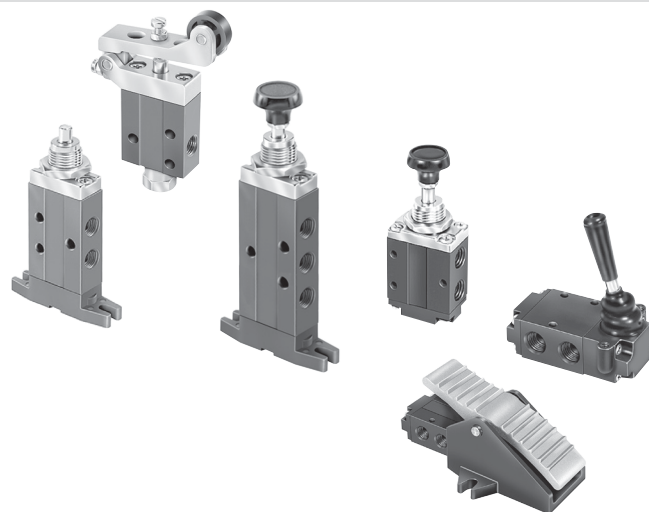
**Material specifications**

Body and operator housings	Aluminum extrusion
Bushings and pilot piston	Brass
Dynamic seals	Fluorocarbon
Operator o-rings, u-cups	Buna (nitrile)
Poppet ball	Nylon
Spacers - Directair 2	Aluminum
Spacers - Directair 4	Zinc die cast
Spool	Stainless steel

**Flow Rating (Cv)**

Flow Path	Direct Pipe Spool, 1/8" Ports	Direct Pipe Poppet, 1/8" Ports
<b>Directair 2</b>		
1 → 2	.199	.125
1 → 4	.191	—
2 → 3	.192	.215
4 → 5	.212	—
Avg.	.199	N/A
<b>Directair 4</b>		
1 → 2	.82	.64
1 → 4	.84	.66
2 → 3	.84	.63
4 → 5	.83	.63
Avg.	.83	.64

 Most popular.



**Operating information**

Operating pressure	Vacuum to 150 PSI (28 inHg to 1035 kPa)*
Temperature range	32°F to 175°F (0°C to 80°C)
* Poppet valves cannot be used for vacuum. Minimum operating pressure = 0 PSIG.	

**CAUTION:**  
If it is possible that the ambient temperature may fall below freezing, the medium must be moisture free to prevent internal damage or unpredictable behavior.

**Lubrication**

For maximum service life use clean, lubricated air. Valves are shipped pre-lubricated and can be operated without additional lubrication with reduced service life.

**Suggested Lubricant**

F442 Oil

**Mechanically operated actuating forces in lbs. 1/4" Directair 4 valves**

	2-Position Spring Return	2-Position Manual Return	3-Position Spring Return	3-Position Manual Return
Button Actuator	13.0	2.0	13.0	N/A
Roller Actuator	13.0	N/A	N/A	N/A
Lever Actuator	4.0	2.0	4.0	2.5

Notes: N/A = Not Applicable  
All valves are at 100 PSIG inlet pressure to the valve.

Directair 2 & 4 Series

Viking Xtreme Lever Series

42 Lever / Pedal Series

MO Series

Safety



Manual / Mechanical Valves

Brass Poppet / Sliding Seal

Control Panel Products

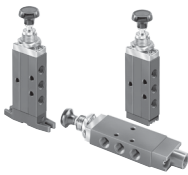
Sensing



For inventory, lead times, and kit lookup, visit [www.pdnplu.com](http://www.pdnplu.com)

**3-way & 4-way Valves**

	Symbol	Port size	Cv	Description	Valve type	Part number	
<b>Button operated, 3-way</b>		1/8"	.17	3-way, spring return	Poppet	<b>404411000</b>	
		1/8"	.20	3-way, spring return	Spool	<b>414411000</b>	
		1/8"	.20	3-way, spring return, foot mounted	Spool	<b>414421000</b>	
		1/8"	.20	3-way, pilot return	Spool	<b>414451000</b>	
		1/8"	.20	3-way, manual return	Spool	<b>414931000</b>	
		1/8"	.20	3-way, manual return, foot mounted	Spool	<b>414941000</b>	
		1/8"	.20	3-way, manual or pilot return	Spool	<b>414951000</b>	
		1/4"	.83	3-way, spring return	Spool	<b>524411000</b>	
		1/4"	.83	3-way, pilot return	Spool	<b>524451000</b>	
		1/4"	.83	3-way, manual return	Spool	<b>524431000</b>	
	<b>Button operated, 4-way</b>		1/8"	.20	4-way, spring return	Spool	<b>410411000</b>
			1/8"	.20	4-way, spring return, foot mounted	Spool	<b>410421000</b>
		1/8"	.20	4-way, pilot return	Spool	<b>410451000</b>	
		1/8"	.20	4-way, manual return	Spool	<b>410931000</b>	
		1/8"	.20	4-way, manual return, foot mounted	Spool	<b>410941000</b>	
		1/8"	.20	4-way, manual or pilot return	Spool	<b>410951000</b>	
		1/4"	.83	4-way, spring return	Spool	<b>520411000</b>	
		1/4"	.83	4-way, pilot return	Spool	<b>520451000</b>	
		1/4"	.83	4-way, manual return	Spool	<b>520431000</b>	
<b>Toggle operated, detented</b>			1/8"	.17	3-way, spring return	Poppet	<b>404811000</b>
			1/8"	.20	3-way, spring return	Spool	<b>414811000</b>
			1/8"	.20	3-way, spring return, foot mounted	Spool	<b>414821000</b>
		1/8"	.20	4-way, spring return	Spool	<b>410811000</b>	
		1/8"	.20	4-way, spring return, foot mounted	Spool	<b>410821000</b>	



Directair 2 & 4 Series  
 Viking Xtreme Lever Series  
 42 Lever / Pedal Series  
 M0 Series  
 Safety  
 Manual / Mechanical Valves  
 Brass Poppet / Sliding Seal  
 Control Panel Products  
 Sensing



For inventory, lead time, and kit lookup, visit [www.pdnplu.com](http://www.pdnplu.com)

Common Part Numbers

3-way & 4-way Valves


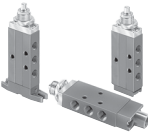
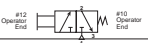
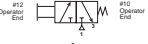

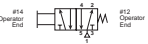
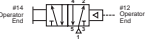

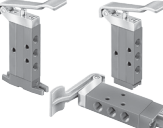
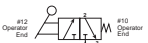

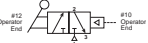
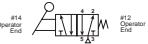


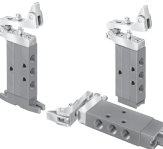
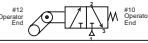
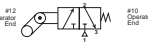
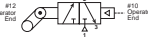








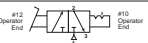
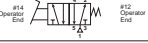
	Symbol	Port size	Cv	Description	Valve type	Part number
Directair 2 & 4 Series Viking Xtreme Lever Series 42 Lever / Pedal Series MO Series Safety Manual / Mechanical Valves	<b>Lever operated</b>					
		1/4"	.83	3-way, spring return	Spool	524811000
		1/4"	.83	3-way, manual return	Spool	524831000
		1/4"	.83	3-way, 3-Position detented, all ports blocked	Spool	523831000
		1/4"	.83	4-way, spring return	Spool	520811000
		1/4"	.83	4-way, manual return	Spool	520831000
		1/4"	.83	4-way, spring centered, closed center	Spool	521811000
		1/4"	.83	4-way, spring centered, pressure center	Spool	522811000
		1/4"	.83	4-way, spring centered, exhaust center	Spool	529811000
		1/4"	.83	4-way, detented, closed center	Spool	521831000
		1/4"	.83	4-way, detented, pressure center	Spool	522831000
		1/4"	.83	4-way, detented, exhaust center	Spool	529831000
<b>Roller operated</b>						
	1/8"	.20	3-way, spring return	Poppet	404211000	
	1/8"	.20	3-way, spring return	Spool	414211000	
	1/8"	.20	3-way, spring return, foot mounted	Spool	414221000	
	1/8"	.20	3-way, pilot return	Spool	414251000	
	1/8"	.20	4-way, spring return	Spool	410211000	
	1/8"	.20	4-way, spring return, foot mounted	Spool	410221000	
	1/8"	.20	4-way, pilot return	Spool	410251000	
<b>Roller operated</b>						
	1/4"	.83	3-way, spring return, delrin roller	Spool	524211000	
	1/4"	.83	3-way, pilot return, delrin roller	Spool	524251000	
	1/4"	.83	3-way, spring return, steel roller	Spool	524A11000	
	1/4"	.83	3-way, pilot return, steel roller	Spool	524A51000	
	1/4"	.83	4-way, spring return, delrin roller	Spool	520211000	
	1/4"	.83	4-way pilot return, delrin roller	Spool	520251000	
	1/4"	.83	4-way, spring return, steel roller	Spool	520A11000	
	1/4"	.83	4-way, pilot return, steel roller	Spool	520A51000	



For inventory, lead times, and kit lookup, visit [www.pdnplu.com](http://www.pdnplu.com)



**3-way & 4-way Valves**

	Symbol	Port size	Cv	Description	Valve type	Part number	
<b>Plunger operated</b>    		1/8"	.17	3-way, spring return	Poppet	<b>404111000</b>	
		1/8"	.20	3-way, spring return	Spool	<b>414111000</b>	
		1/8"	.20	3-way, spring return, foot mounted	Spool	<b>414121000</b>	
		1/8"	.20	3-way, pilot return	Spool	<b>414151000</b>	
		1/8"	.17	4-way, spring return	Spool	<b>410111000</b>	
		1/8"	.20	4-way, spring return, foot mounted	Spool	<b>410121000</b>	
		1/8"	.20	4-way, pilot return	Spool	<b>410151000</b>	
	<b>Hand lever operated</b>    		1/8"	.17	3-way, spring return	Poppet	<b>404711000</b>
			1/8"	.20	3-way, spring return	Spool	<b>414711000</b>
			1/8"	.20	3-way, spring return, foot mounted	Spool	<b>414721000</b>
		1/8"	.20	3-way, pilot return	Spool	<b>414751000</b>	
		1/8"	.20	4-way, spring return	Spool	<b>410711000</b>	
		1/8"	.20	4-way, spring return, foot mounted	Spool	<b>410721000</b>	
		1/8"	.20	4-way, pilot return	Spool	<b>410751000</b>	
<b>One way tripper operated</b>    			1/8"	.17	3-way, spring return	Poppet	<b>404311000</b>
			1/8"	.20	3-way, spring return	Spool	<b>414311000</b>
			1/8"	.20	3-way, spring return, foot mounted	Spool	<b>414321000</b>
		1/8"	.20	3-way, pilot return	Spool	<b>414351000</b>	
		1/8"	.20	4-way, spring return	Spool	<b>414311000</b>	
		1/8"	.20	4-way, spring return, foot mounted	Spool	<b>414321000</b>	
		1/8"	.20	4-way, pilot return	Spool	<b>414351000</b>	
	<b>Pedal operated</b>  		1/4"	.83	3-way, spring return	Spool	<b>524711000</b>
			1/4"	.83	3-way, pilot return	Spool	<b>524751000</b>
			1/4"	.83	4-way, spring return	Spool	<b>520711000</b>
		1/4"	.83	4-way, pilot return	Spool	<b>520751000</b>	
<p><b>CAUTION:</b>  <i>This valve shall not be used to actuate a punch press. Do not use this valve on punch presses or press brakes. See OSHA 1910.217.</i></p>							
<b>Treadle operated</b>  		1/4"	.83	3-way, treadle operated, detented	Spool	<b>524931000</b>	
		1/4"	.83	4-way, treadle operated, detented	Spool	<b>520931000</b>	
<p><b>CAUTION:</b>  <i>This valve shall not be used to actuate a punch press. Do not use this valve on punch presses or press brakes. See OSHA 1910.217.</i></p>							

Directair 2 & 4 Series
Viking Xtreme Lever Series
42 Lever / Pedal Series
M0 Series
Safety
<b>E</b>
Manual / Mechanical Valves
Brass Poppet / Sliding Seal
Control Panel Products
Sensing



For inventory, lead time, and kit lookup, visit [www.pdnplu.com](http://www.pdnplu.com)

Ordering Information

Directair 2

41 0 1 1 1 000

Basic Series	
1/8" Port Poppet Valve	40*
1/8" Port Spool Valve	41

\* Only available in Spring Return.

Manual / Mechanical	
000	Standard

Type	
4-Way, 2-Position Valve	0*
3-Way, 2-Position	4

\* N/A with Basic Series 40.

Mounting	
1	Direct Pipe Ported, NPT
K	Direct Pipe Ported, BSPP

Actuation	
Plunger	1
Roller - Delrin	2
One-Way Tripper	3
Button - Spring Return	4
Hand Lever	7
Toggle	8
Button - Push-Pull	9*

\* N/A with Basic Series 40.

Return	
1†	Spring
2†	Spring w/ Foot Mount
3†	None (Manual Return)
4†	None (Manual Return w/ Foot Mount)
5†	Remote Pilot Return

\* Available only with Actuation 9.

† N/A with Actuation 8.

Directair 4

52 0 8 1 1 000

Basic Series	
1/4" Port Spool Valve	52

Manual / Mechanical	
000	Standard

Type	
4-Way, 2-Position Valve	0
4-Way, 3-Position, Closed Center	1*
4-Way, 3-Position, Pressure Center	2*
3-Way, 3-Position, Closed Center	3*
3-Way, 2-Position, Normally Closed	4
3-Way, 2-Position, Normally Open	6
4-Way, 3-Position, Exhaust Center	9*

\* Only Available with Actuation 8 Lever.

Mounting	
1	Direct Pipe Ported, NPT
L	Direct Pipe Ported, BSPP

Return	
1††	Spring
3†	None (Manual Return)
5†	Remote Pilot Return

\* N/A with Actuation 8 & 9.

† N/A with Actuation 2, 7 or A.

†† N/A with Actuation 9.

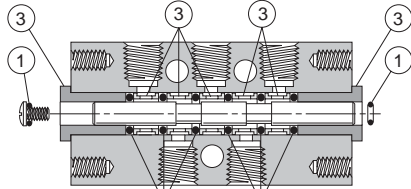
Actuation	
Roller - Delrin	2
Button	4
Pedal	7
Lever	8
Treadle	9
Roller - Metal	A



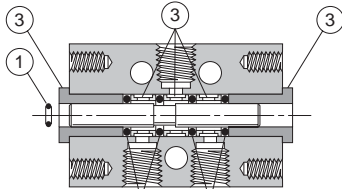
For inventory, lead times, and kit lookup, visit [www.pdnplu.com](http://www.pdnplu.com)

**Service kits – 1/8 port size valves (DA2)**

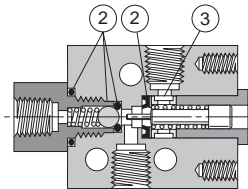
①	Spool valve seal kit (3 & 4-way, direct pipe ported)	<b>410008000</b>
②	Poppet valve seal kit	<b>404118000</b>
③	Body service kit	<b>410008005</b>



4-Way Spool



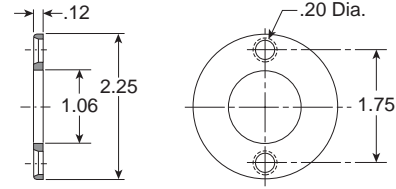
3-Way Spool



3-Way Poppet

**Panel Mounting Kit – No. 520838004**

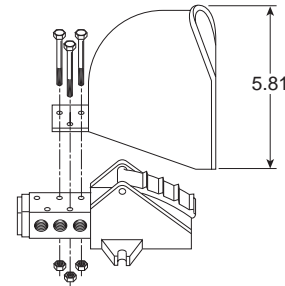
Available for panel mounting direct pipe ported, lever operated 1/4" Directair 4 Series valves only. Kit includes a flange and two screws.



**Pedal Guard Kit – No. 520718001**

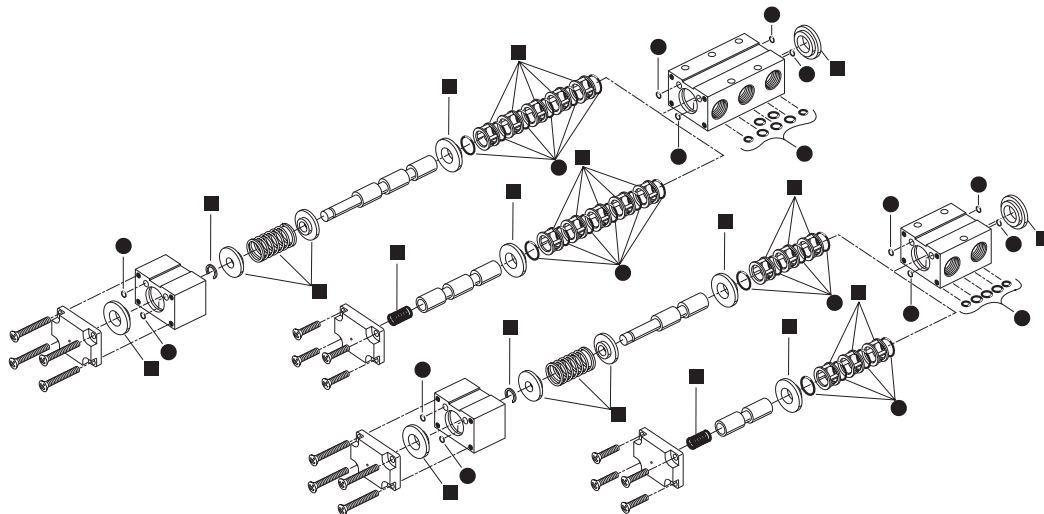
Pedal guard meets safety requirements for foot operated valves by protecting pedal from accidental tripping from all angles. Guard is constructed of lightweight aluminum casting for strength and durability. Bolts quickly into place with only three screws without special valve mounting. One model fits any pedal (not treadle) operated 1/4" Directair 4 Series valve.

**CAUTION:**  
 This valve shall not be used to actuate a punch press.  
 Do not use this valve on punch presses or press brakes.  
 See OSHA 1910.217.

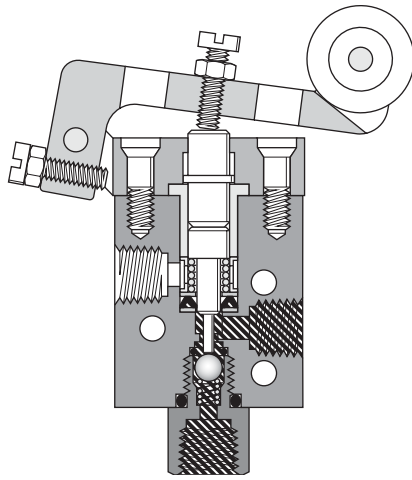


**Service kits – 1/4 port size valves (DA4)**

●	<b>Valve seal kit</b> (Contains all soft seals found in 3 & 4-way bodies and all actuator styles.)	<b>520008050</b>
	All fluorocarbon	<b>520008500</b>
■	<b>Body service kit</b> (Contains bushing, springs, retainers and shell from 2 & 3-position, 3 & 4-way bodies.)	<b>520018005</b>



Directair 2 & 4 Series	Viking Xtreme Lever Series	42 Lever / Pedal Series	MO Series	Safety		Manual / Mechanical Valves	Brass Poppet / Sliding Seal	Control Panel Products	Sensing
------------------------	----------------------------	-------------------------	-----------	--------	------------------------------------------------------------------------------------	----------------------------	-----------------------------	------------------------	---------



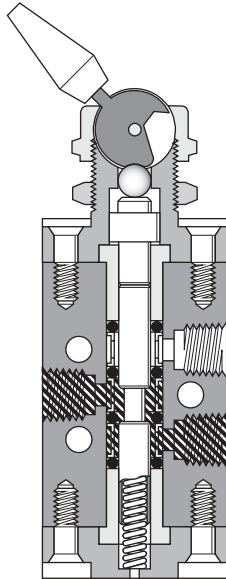
**Roller Operated Poppet**



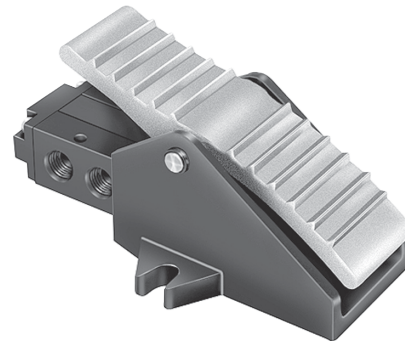
**Button Operated**



**Lever Operated**



**Toggle Operated Spool**



**Treadle Operated**

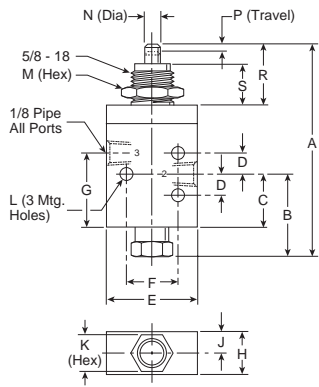
 Pressure     Exhaust



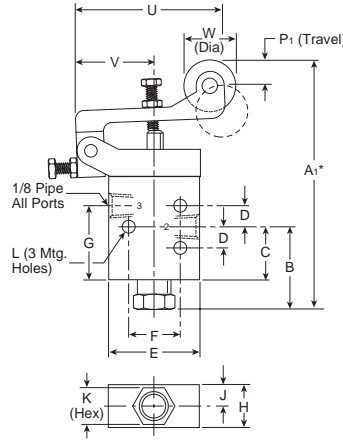
For inventory, lead times, and kit lookup, visit [www.pdnplu.com](http://www.pdnplu.com)

**Plunger, Roller, One-way Tripper & Toggle Operated — 3-Way, 3-Port, 2-Position – 1/8" Ports**

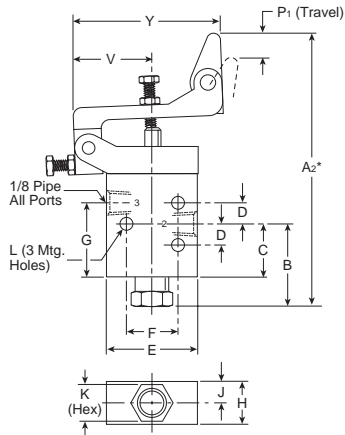
**Plunger Operated**



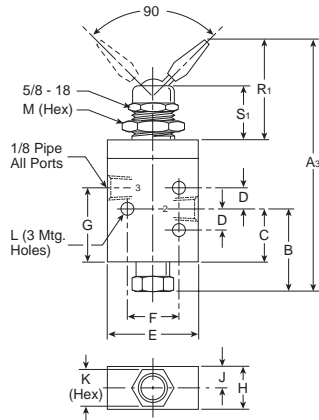
**Roller Operated**



**One-Way Tripper Operated**



**Toggle Operated**



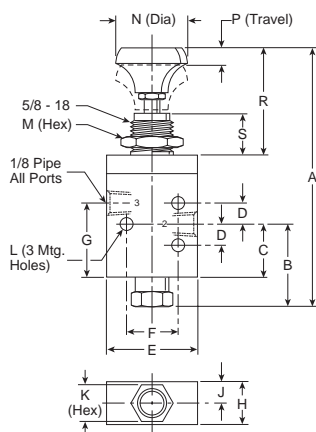
**3-Way, 3-Port, 2-Position**

<b>A</b>	<b>A1*</b>	<b>A2*</b>	<b>A3</b>	<b>B</b>
3.37 (86)	4.21 (107)	4.46 (113)	3.99 (101)	1.03 (26)
<b>C</b>	<b>D</b>	<b>E</b>	<b>F</b>	<b>G</b>
.55 (14)	.31 (8)	1.31 (33)	.75 (19)	.90 (23)
<b>H</b>	<b>J</b>	<b>K</b>	<b>L</b>	<b>M</b>
.62 (16)	.31 (8)	.56 (14)	.19 (5)	.88 (22)
<b>N</b>	<b>P</b>	<b>P1</b>	<b>R</b>	<b>R1</b>
.25 (6)	.17 (4)	.38 (10)	.91 (23)	1.53 (39)
<b>S</b>	<b>S1</b>	<b>U</b>	<b>V</b>	<b>W</b>
.62 (16)	.78 (20)	2.28 (58)	1.19 (30)	.75 (19)
<b>X</b>	<b>Y</b>			
.19 (5)	2.19 (56)			

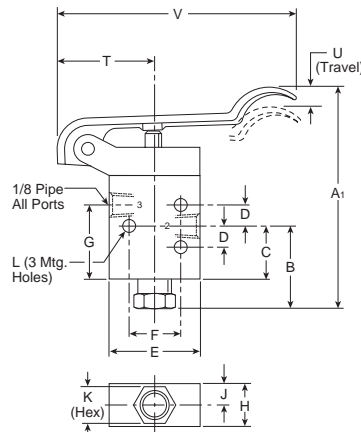
\* Dimensions may be reduced .44" using adjusting screw.  
 Inches (mm)

**Button & Hand Lever Operated — 3-Way, 3-Port, 2-Position – 1/8" Ports**

**Button Operated**



**Hand Lever Operated**



**3-Way, 3-Port, 2-Position**

<b>A</b>	<b>A1</b>	<b>B</b>	<b>C</b>	<b>D</b>
4.13 (105)	3.34 (85)	1.03 (26)	.55 (14)	.31 (8)
<b>E</b>	<b>F</b>	<b>G</b>	<b>H</b>	<b>J</b>
1.31 (33)	.75 (19)	.90 (23)	.62 (16)	.31 (8)
<b>K</b>	<b>L</b>	<b>M</b>	<b>N</b>	<b>P</b>
.56 (14)	.19 (5)	.88 (22)	1.06 (27)	.17 (4)
<b>R</b>	<b>S</b>	<b>T</b>	<b>U</b>	<b>V</b>
1.67 (42)	.63 (16)	1.19 (30)	.53 (13)	3.38 (86)

Inches (mm)



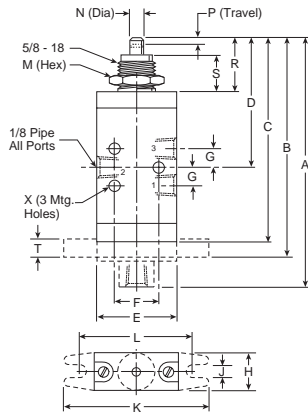
For inventory, lead time, and kit lookup, visit [www.pdnplu.com](http://www.pdnplu.com)



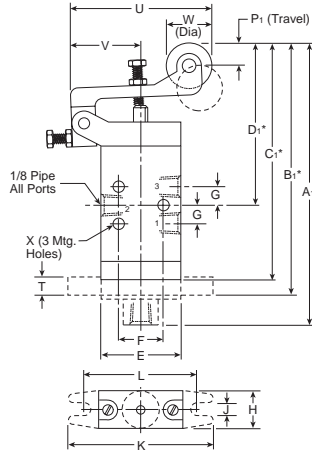
Dimensional Data

Plunger, Roller, One-way Tripper & Toggle Operated — 3-Way, 3-Port, 2-Position – 1/8" Ports

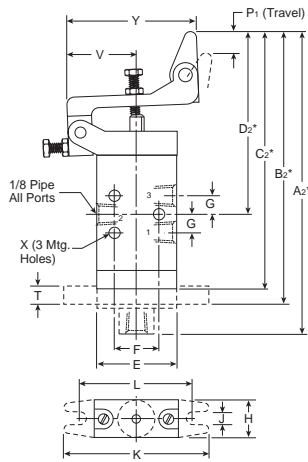
Plunger Operated



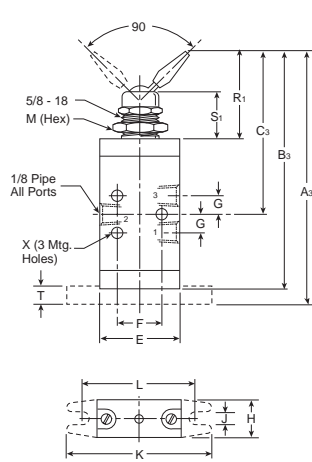
Roller Operated



One-Way Tripper Operated



Toggle Operated



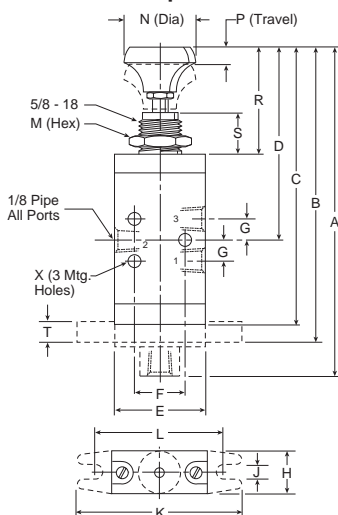
3-Way, 3-Port, 2-Position

<b>A</b> 4.14 (105)	<b>A1*</b> 4.98 (126)	<b>A2*</b> 5.23 (133)	<b>A3</b> 4.23 (107)	<b>B</b> 3.61 (92)
<b>B1</b> 4.45 (113)	<b>B2</b> 4.70 (119)	<b>B3</b> 4.00 (102)	<b>C</b> 3.38 (86)	<b>C1</b> 4.22 (107)
<b>C2</b> 4.47 (113)	<b>C3</b> 2.75 (70)	<b>D</b> 2.05 (52)	<b>D1</b> 2.98 (76)	<b>D2</b> 3.22 (82)
<b>E</b> 1.31 (33)	<b>F</b> .75 (19)	<b>G</b> .31 (8)	<b>H</b> .62 (16)	<b>J</b> .20 (5)
<b>K</b> 2.38 (60)	<b>L</b> 1.88 (48)	<b>M</b> .88 (22)	<b>N</b> .25 (6)	<b>P</b> .17 (4)
<b>P1</b> .38 (10)	<b>R</b> .91 (23)	<b>R1</b> 1.53 (39)	<b>S</b> .62 (16)	<b>S1</b> .78 (20)
<b>T</b> .25 (6)	<b>U</b> 2.28 (58)	<b>V</b> 1.19 (30)	<b>W</b> .75 (19)	<b>X</b> .19 (5)
<b>Y</b> 2.19 (56)				

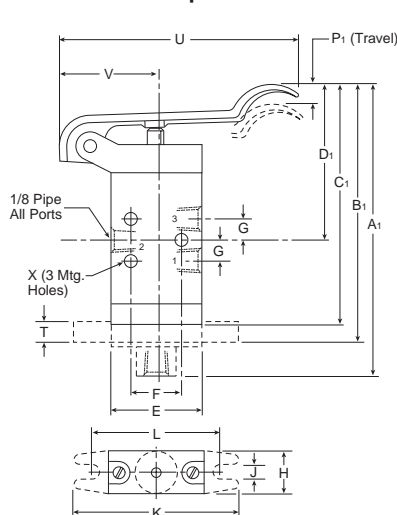
\* Dimensions may be reduced .44" using adjusting screw.  
Inches (mm)

Button, Hand Lever Operated — 3-Way, 3-Port, 2-Position – 1/8" Ports

Button Operated



Hand Lever Operated



3-Way, 3-Port, 2-Position

<b>A</b> 5.08 (129)	<b>A1</b> 4.29 (109)	<b>B</b> 4.55 (115)	<b>B1</b> 3.77 (96)	<b>C</b> 4.31 (109)
<b>C1</b> 3.53 (90)	<b>D</b> 3.08 (78)	<b>D1</b> 2.29 (58)	<b>E</b> 1.31 (33)	<b>F</b> .75 (19)
<b>G</b> .31 (8)	<b>H</b> .62 (16)	<b>J</b> .20 (5)	<b>K</b> 2.38 (60)	<b>L</b> 1.88 (48)
<b>M</b> .88 (22)	<b>N</b> 1.06 (27)	<b>P</b> .17 (4)	<b>P1</b> .53 (13)	<b>R</b> 1.67 (42)
<b>S</b> .63 (16)	<b>T</b> .25 (6)	<b>U</b> 3.38 (86)	<b>V</b> 1.19 (30)	<b>X</b> .19 (5)
<b>Y</b> .59 (15)				

Inches (mm)

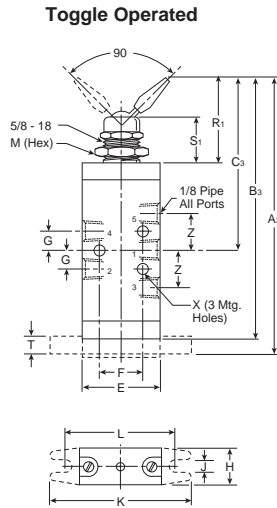
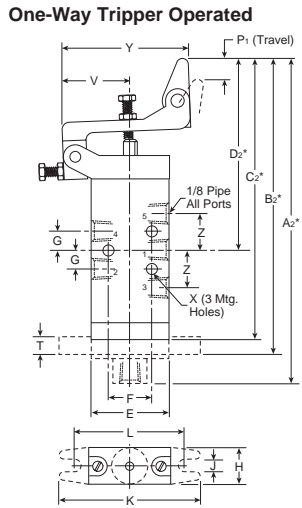
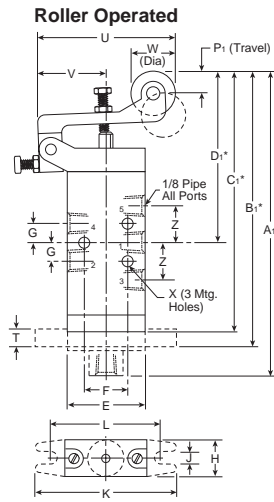
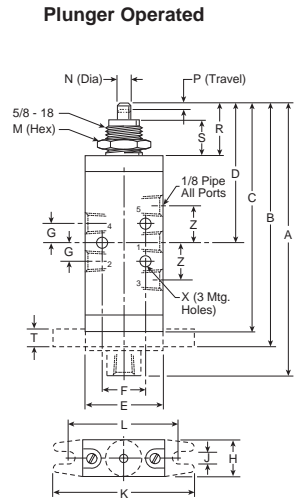


For inventory, lead times, and kit lookup, visit [www.pdnplu.com](http://www.pdnplu.com)

Directair 2 & 4 Series  
Viking Xtreme Lever Series  
42 Lever / Pedal Series  
M0 Series  
Safety  
Manual / Mechanical Valves  
Brass Poppet / Sliding Seal  
Control Panel Products  
Sensing



**Plunger, Roller, One-way Tripper & Toggle Operated — 4-Way, 5-Port, 2-Position – 1/8" Ports**

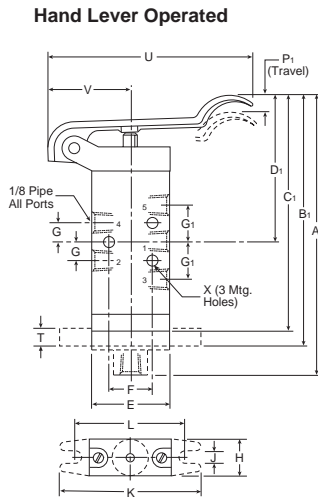
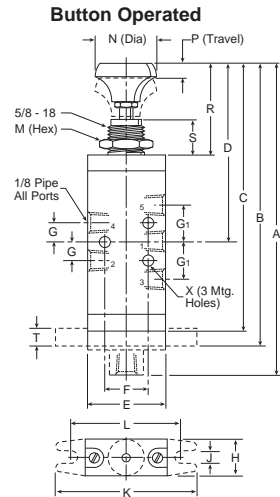


**4-Way, 5-Port, 2-Position**

<b>A</b>	<b>A1*</b>	<b>A2*</b>	<b>A3</b>	<b>B</b>
4.75 (121)	5.59 (142)	5.84 (148)	4.84 (123)	4.22 (107)
<b>B1*</b>	<b>B2*</b>	<b>B3</b>	<b>C</b>	<b>C1*</b>
5.06 (128)	5.31 (135)	4.61 (117)	3.99 (102)	4.83 (123)
<b>C2*</b>	<b>C3</b>	<b>D</b>	<b>D1*</b>	<b>D2*</b>
5.08 (129)	3.06 (78)	2.44 (62)	3.28 (83)	3.53 (90)
<b>E</b>	<b>F</b>	<b>G</b>	<b>H</b>	<b>J</b>
1.31 (33)	.75 (19)	.31 (8)	.62 (16)	.20 (5)
<b>K</b>	<b>L</b>	<b>M</b>	<b>N</b>	<b>P</b>
2.38 (60)	1.88 (48)	.88 (22)	.25 (6)	.17 (4)
<b>P1</b>	<b>R</b>	<b>R1</b>	<b>S</b>	<b>S1</b>
.38 (10)	.91 (23)	1.53 (39)	.62 (16)	.78 (20)
<b>T</b>	<b>U</b>	<b>V</b>	<b>W</b>	<b>X</b>
.25 (6)	2.28 (58)	1.19 (30)	.75 (19)	.19 (5)
<b>Y</b>	<b>Z</b>			
2.19 (56)	.62 (16)			

\* Dimensions may be reduced .44" using adjusting screw.  
 Inches (mm)

**Button & Hand Lever Operated — 4-Way, 5-Port, 2-Position – 1/8" Ports**



**4-Way, 5-Port, 2-Position**

<b>A</b>	<b>A1</b>	<b>B</b>	<b>B1</b>	<b>C</b>
5.69 (144)	4.90 (124)	5.16 (131)	4.38 (111)	4.92 (125)
<b>C1</b>	<b>D</b>	<b>D1</b>	<b>E</b>	<b>F</b>
4.14 (105)	3.67 (93)	2.90 (74)	1.31 (33)	.75 (19)
<b>G</b>	<b>G1</b>	<b>H</b>	<b>J</b>	<b>K</b>
.31 (8)	.63 (16)	.62 (16)	.20 (5)	2.38 (60)
<b>L</b>	<b>M</b>	<b>N</b>	<b>P</b>	<b>P1</b>
1.88 (48)	.88 (22)	1.06 (27)	.17 (4)	.53 (13)
<b>R</b>	<b>S</b>	<b>T</b>	<b>U</b>	<b>V</b>
1.67 (42)	.63 (16)	.25 (6)	3.38 (86)	1.19 (30)
<b>X</b>	<b>Y</b>			
.19 (5)	.59 (15)			

Inches (mm)

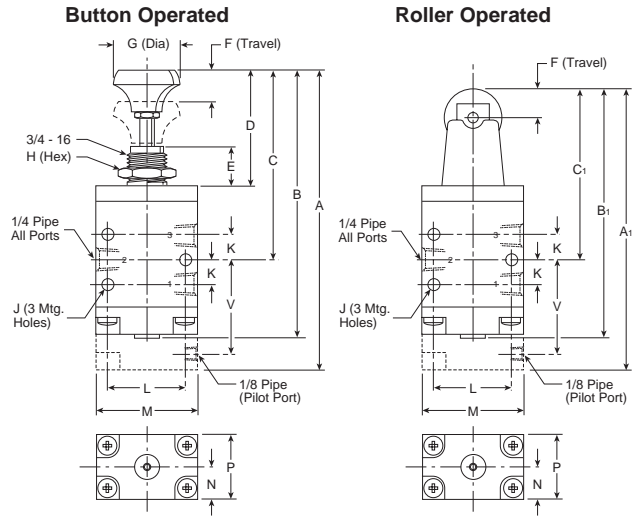


For inventory, lead time, and kit lookup, visit [www.pdnplu.com](http://www.pdnplu.com)



**Dimensional Data**

**Button & Roller Operated — 3-Way, 3-Port, 2-Position**

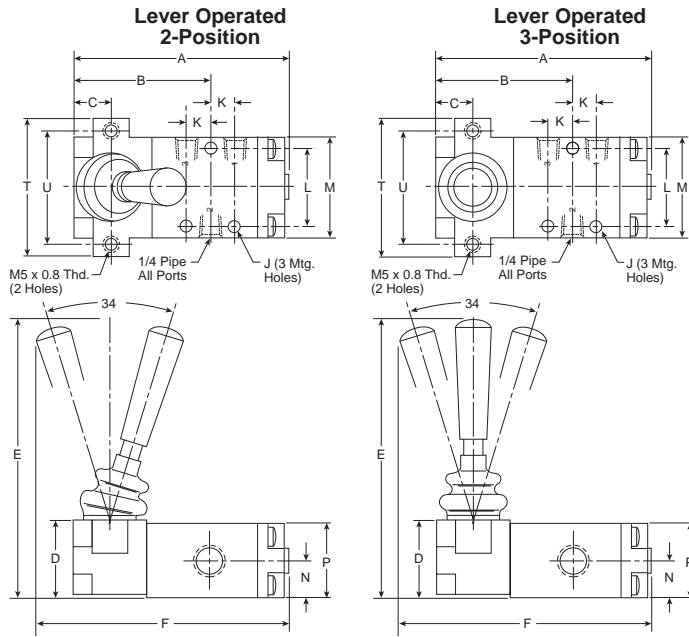


**3-Way, 3-Port, 2-Position**

A	A <sub>1</sub>	B	B <sub>1</sub>	C
4.91 (125)	4.25 (108)	4.44 (113)	3.78 (96)	3.10 (79)
C <sub>1</sub>	D	E	F	G
2.44 (62)	2.00 (51)	.63 (16)	.32 (8)	1.05 (27)
H	J	K	L	M
1.00 (25)	.19 (5)	.41 (10)	1.25 (32)	1.63 (42)
N	P	V		
.53 (14)	1.06 (27)	1.52 (39)		

Inches (mm)

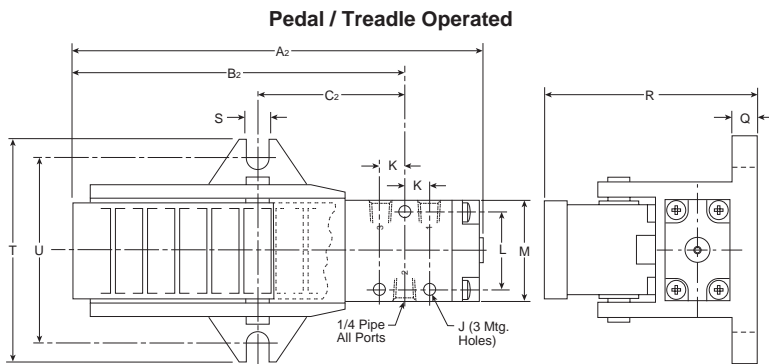
**Lever & Pedal Operated — 3-Way, 3-Port, 2 & 3-Position**



**3-Way, 3-Port, 2 & 3-Position**

A	A <sub>1</sub>	B	B <sub>1</sub>	C
3.31 (84)	6.55 (166)	1.97 (50)	5.20 (132)	.53 (14)
C <sub>1</sub>	D	E	F	J
2.19 (56)	1.12 (28)	4.06 (103)	3.90 (99)	.19 (5)
K	L	M	N	P
.41 (10)	1.25 (32)	1.63 (42)	.53 (14)	1.06 (27)
Q	R	S	T	T <sub>1</sub>
.37 (10)	2.40 (61)	.34 (9)	2.13 (54)	3.50 (89)
U	U <sub>1</sub>			
1.75 (44)	3.00 (76)			

Inches (mm)



**CAUTION:**

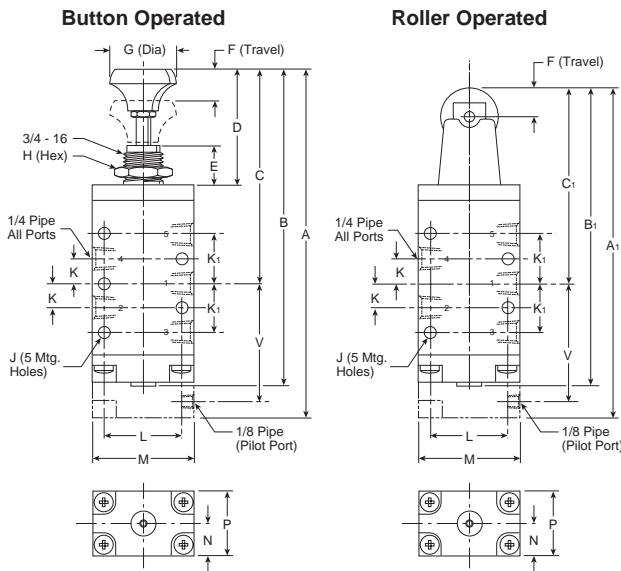
*This valve shall not be used to actuate a punch press. Do not use this valve on punch presses or press brakes. See OSHA 1910.217.*



For inventory, lead times, and kit lookup, visit [www.pdnplu.com](http://www.pdnplu.com)

Directair 2 & 4 Series  
 Viking Xtreme Lever Series  
 42 Lever / Pedal Series  
 M0 Series  
 Safety  
 Manual / Mechanical Valves  
 Brass Poppet / Sliding Seal  
 Control Panel Products  
 Sensing

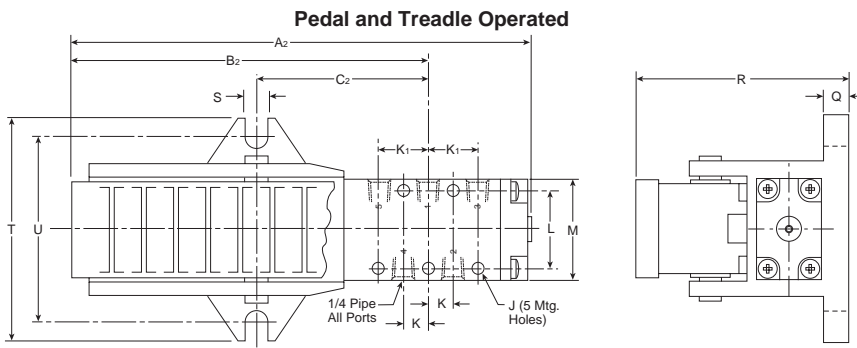
**Button, Roller, Pedal & Treadle, Lever Operated — 4-Way, 5-Port, 2-Position**



**4-Way, 5-Port, 2-Position**

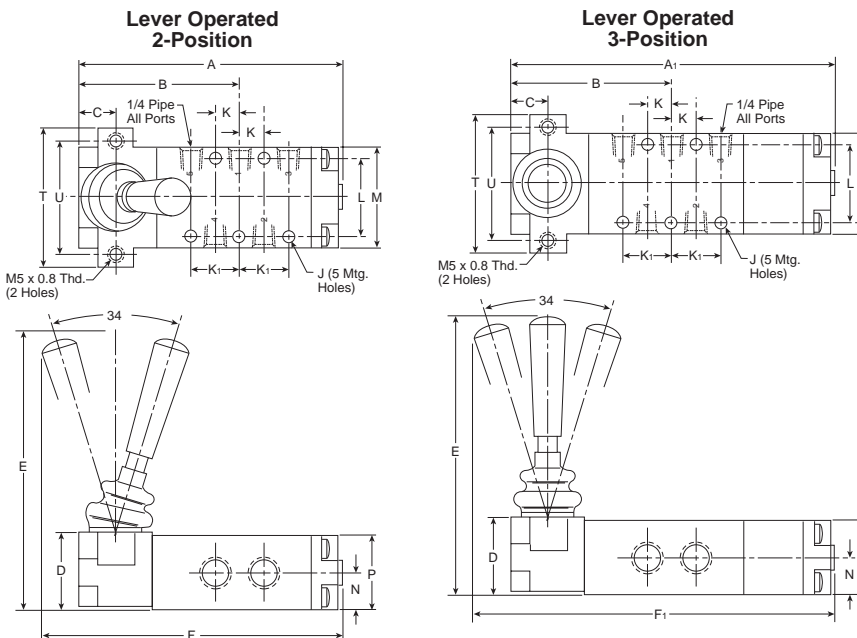
<b>A</b>	<b>A<sub>1</sub></b>	<b>A<sub>2</sub></b>	<b>B</b>	<b>B<sub>1</sub></b>
5.75 (146)	5.13 (130)	7.41 (189)	5.28 (134)	4.66 (118)
<b>B<sub>2</sub></b>	<b>C</b>	<b>C<sub>1</sub></b>	<b>C<sub>2</sub></b>	<b>D</b>
5.63 (143)	3.50 (89)	2.88 (73)	2.64 (67)	2.00 (51)
<b>E</b>	<b>F</b>	<b>G</b>	<b>H</b>	<b>J</b>
.63 (16)	.32 (8)	1.05 (27)	1.00 (25)	.19 (5)
<b>K</b>	<b>K<sub>1</sub></b>	<b>L</b>	<b>M</b>	<b>N</b>
.44 (11)	.84 (21)	1.25 (32)	1.63 (41)	.53 (14)
<b>P</b>	<b>Q</b>	<b>R</b>	<b>S</b>	<b>T</b>
1.06 (27)	.37 (10)	2.40 (61)	.34 (9)	3.50 (89)
<b>U</b>	<b>V</b>			
3.00 (76)	1.96 (50)			

Inches (mm)



**CAUTION:**  
 This valve shall not be used to actuate a punch press.  
 Do not use this valve on punch presses or press brakes.  
 See OSHA 1910.217.

**Lever Operated — 4-Way, 5-Port, 2 & 3-Position**



**4-Way, 5-Port, 2 & 3-Position**

<b>A</b>	<b>A<sub>1</sub></b>	<b>B</b>	<b>C</b>	<b>D</b>
4.19 (106)	5.09 (129)	2.41 (61)	.53 (14)	1.12 (28)
<b>E</b>	<b>F</b>	<b>F<sub>1</sub></b>	<b>J</b>	<b>K</b>
4.06 (103)	4.78 (121)	5.78 (147)	.19 (5)	.44 (11)
<b>K<sub>1</sub></b>	<b>L</b>	<b>M</b>	<b>N</b>	<b>P</b>
.84 (21)	1.25 (32)	1.63 (42)	.53 (14)	1.06 (27)
<b>T</b>	<b>U</b>			
2.13 (54)	1.75 (44)			

Inches (mm)



For inventory, lead time, and kit lookup, visit [www.pdnplu.com](http://www.pdnplu.com)

Directair 2  
& 4 Series

Viking Xtreme  
Lever Series

42 Lever/  
Pedal Series

M0 Series

Safety



Manual / Mechanical  
Valves

Brass Poppet /  
Sliding Seal

Control Panel  
Products

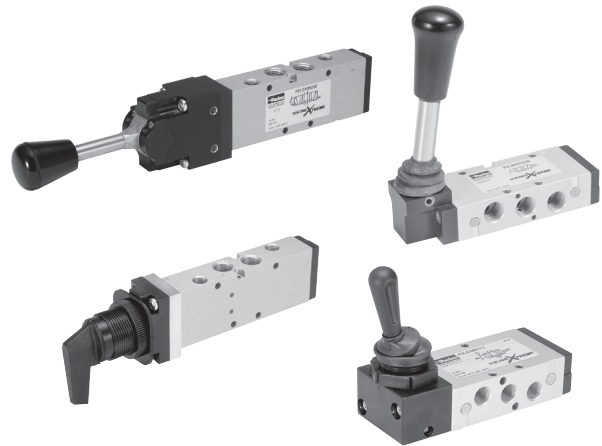
Sensing

**Features**

**Viking Xtreme Manual Series**

The Viking Xtreme Manual valve range is robust, versatile and combines high performance with compact installation dimensions. The valves rugged lever actuator has been specifically designed for gloved hands to suit mobile applications in the most arduous of environments. Available in 3/2, 5/2 and 5/3 functions with either spring return or detented lever. The lever actuated versions are available across the entire range from 1/8 to 1/2 port sizes.

- **Heavy duty lever**
- **Inline valve**
  - 1/8", 1/4", 3/8", 1/2" NPT & BSPP
- **2-position models**
  - 4-way & 3-way
- **3-position models**
  - all ports blocked
  - pressure center
  - center exhaust
- **Over-moulded single piece aluminium spool**
  - Reduced product complexity
  - Increased flow
  - Wide operating temperature range
  - Stable seal performance even with high flow / pressure drop across spool.



**Operating information**

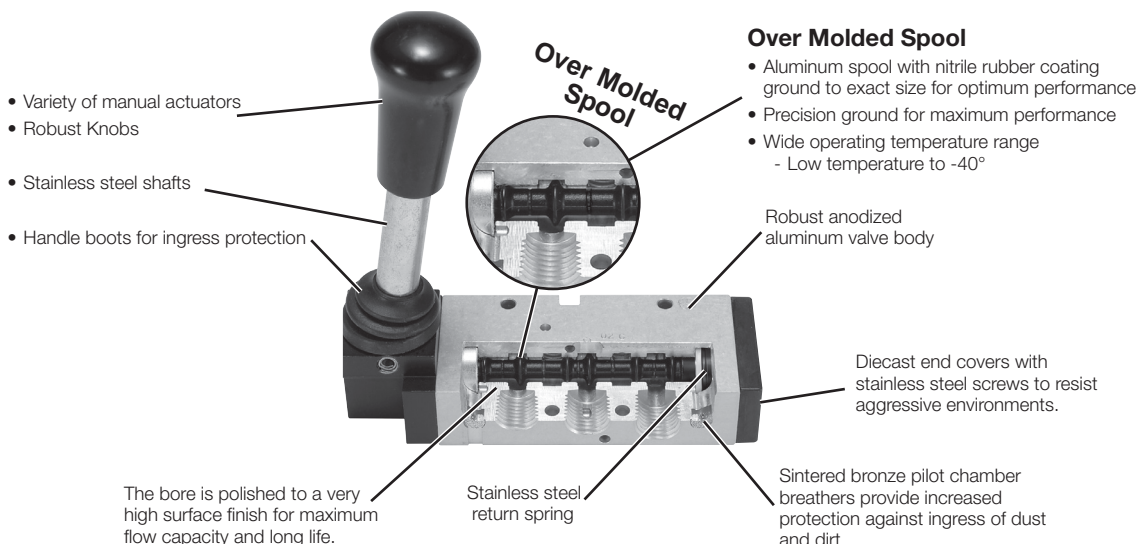
Operating pressure: Type A & B: Vacuum to 232 PSIG (Vacuum to 16 bar Max.)  
 Type C & D: Vacuum to 174 PSIG (Vacuum to 12 bar Max.)  
 Temperature range: Xtreme: -40°F to 140°F (-40°C to 60°C)

**Material specifications**

End covers	Anodized aluminum
Lever	Reinforced polyamide plastic
Lever housing	Acetal plastic
Piston	Acetal plastic / anodized aluminum
Seals	Nitrile rubber
Screws	Stainless steel
Spool	Aluminum & nitrile rubber
Springs	Stainless steel
Valve body	Anodized aluminum


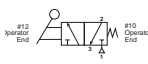

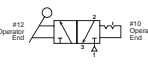

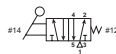



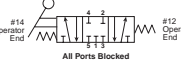

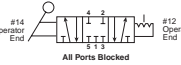

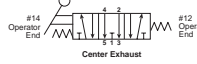

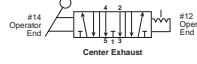
Lever Handle – 1/8" valve size, 5/2 & 5/3 only	Twist Handle – 1/4" valve sizes	Lever Handle – All other valve sizes

**Features**




For inventory, lead times, and kit lookup, visit [www.pdnplu.com](http://www.pdnplu.com)

Directair 2 & 4 Series  
 Viking Xtreme Lever Series  
 4/2 Lever / Pedal Series  
 MO Series  
 Safety  
 Manual / Mechanical Valves  
 Brass Poppet / Sliding Seal  
 Control Panel Products  
 Sensing

3/2 - 2-position *	Symbol	Valve type	Port size	Cv	Weight lb (kg)	Part number NPT	Part number BSPP
		Lever spring return	1/8	0.6	0.73 (0.33)	<b>P2LAX391VS</b>	<b>P2LAX311VS</b>
			1/4	1.5	0.73 (0.33)	<b>P2LBX392VS</b>	<b>P2LBX312VS</b>
			3/8	2.5	0.88 (0.40)	<b>P2LCX393VS</b>	<b>P2LCX313VS</b>
			1/2	2.7	1.32 (0.60)	<b>P2LDX394VS</b>	<b>P2LDX314VS</b>
		Lever detent	1/8	0.7	0.73 (0.33)	<b>P2LAX391VV</b>	<b>P2LAX311VV</b>
			1/4	1.3	0.73 (0.33)	<b>P2LBX392VV</b>	<b>P2LBX312VV</b>
			3/8	2.5	0.88 (0.40)	<b>P2LCX393VV</b>	<b>P2LCX313VV</b>
			1/2	2.7	1.32 (0.60)	<b>P2LDX394VV</b>	<b>P2LDX314VV</b>
<hr/>							
5/2 - 2-position *	Symbol	Valve type	Port size	Cv	Weight lb (kg)	Part number NPT	Part number BSPP
		Lever spring return	1/8	0.6	0.40 (0.18)	<b>P2LAX591VS</b>	<b>P2LAX511VS</b>
			1/4	1.5	0.73 (0.33)	<b>P2LBX592VS</b>	<b>P2LBX512VS</b>
			3/8	2.5	0.88 (0.40)	<b>P2LCX593VS</b>	<b>P2LCX513VS</b>
			1/2	2.7	1.32 (0.60)	<b>P2LDX594VS</b>	<b>P2LDX514VS</b>
		Lever detent	1/8	0.7	0.40 (0.18)	<b>P2LAX591VV</b>	<b>P2LAX511VV</b>
			1/4	1.3	0.73 (0.33)	<b>P2LBX592VV</b>	<b>P2LBX512VV</b>
			3/8	2.5	0.88 (0.40)	<b>P2LCX593VV</b>	<b>P2LCX513VV</b>
			1/2	2.7	1.32 (0.60)	<b>P2LDX594VV</b>	<b>P2LDX514VV</b>
Size P2LAX Shown							
<hr/>							
5/3 - 3-position,* all ports blocked	Symbol	Valve type	Port size	Cv	Weight lb (kg)	Part number NPT	Part number BSPP
		Lever spring center	1/8	0.6	0.40 (0.18)	<b>P2LAX69111</b>	<b>P2LAX61111</b>
			1/4	1.5	0.73 (0.33)	<b>P2LBX69211</b>	<b>P2LBX61211</b>
			3/8	2.5	1.56 (0.71)	<b>P2LCX69311</b>	<b>P2LCX61311</b>
			1/2	2.7	1.61 (0.73)	<b>P2LDX69411</b>	<b>P2LDX61411</b>
		Lever detent	1/8	0.7	0.40 (0.18)	<b>P2LAX69122</b>	<b>P2LAX61122</b>
			1/4	1.3	0.73 (0.33)	<b>P2LBX69222</b>	<b>P2LBX61222</b>
			3/8	2.5	1.56 (0.71)	<b>P2LCX69322</b>	<b>P2LCX61322</b>
			1/2	2.7	1.61 (0.73)	<b>P2LDX69422</b>	<b>P2LDX61422</b>
Size P2LAX Shown							
<hr/>							
5/3 - 3-position,* center exhaust	Symbol	Valve type	Port size	Cv	Weight lb (kg)	Part number NPT	Part number BSPP
		Lever spring center	1/8	0.6	0.40 (0.18)	<b>P2LAX89111</b>	<b>P2LAX81111</b>
			1/4	1.5	0.73 (0.33)	<b>P2LBX89211</b>	<b>P2LBX81211</b>
			3/8	2.5	1.56 (0.71)	<b>P2LCX89311</b>	<b>P2LCX81311</b>
			1/2	2.7	1.61 (0.73)	<b>P2LDX89411</b>	<b>P2LDX81411</b>
		Lever detent	1/8	0.7	0.40 (0.18)	<b>P2LAX89122</b>	<b>P2LAX81122</b>
			1/4	1.3	0.73 (0.33)	<b>P2LBX89222</b>	<b>P2LBX81222</b>
			3/8	2.5	1.56 (0.71)	<b>P2LCX89322</b>	<b>P2LCX81322</b>
			1/2	2.7	1.61 (0.73)	<b>P2LDX89422</b>	<b>P2LDX81422</b>

\* Valve lever movement 90° to ports.

 Most popular.



For inventory, lead time, and kit lookup, visit [www.pdnplu.com](http://www.pdnplu.com)

Directair 2  
& 4 Series

Viking Xtreme  
Lever Series

42 Lever/  
Pedal Series

M0 Series

Safety



Manual / Mechanical  
Valves


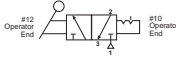



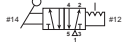

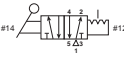
Brass Poppet /  
Sliding Seal

Control Panel  
Products

Sensing

**Common Part Numbers**

Directair 2 & 4 Series  
 Viking Xtreme Lever Series  
 42 Lever / Pedal Series  
 MO Series  
 Safety  
 Manual / Mechanical Valves  
 Brass Poppet / Sliding Seal  
 Control Panel Products  
 Sensing

3/2 - 2-position	Symbol	Valve type	Port size	Cv	Part number NPT	Part number BSPP
		Twist handle detent	1/4	1.3 0.73 (0.33)	<b>P2LBX392JJ</b>	<b>P2LBX312JJ</b>
5/2 - 2-position	Symbol	Valve type	Port size	Cv	Part number NPT	Part number BSPP
		Twist handle detent	1/4	1.3 0.73 (0.33)	<b>P2LBX592JJ</b>	<b>P2LBX512JJ</b>
5/2 - 2-position *	Symbol	Valve type	Port size	Cv	Part number NPT	Part number BSPP
		Lever spring return	1/4	1.3 0.73 (0.33)	<b>P2LBX592ZS</b>	<b>P2LBX512ZS</b>
		Lever detent	1/4	1.3 0.73 (0.33)	<b>P2LBX592ZZ</b>	<b>P2LBX512ZZ</b>

\* Valve lever movement inline to ports.

**Viking Xtreme Manual Operated Valves**

Vacuum to 232 PSIG (Vacuum to 16 bar) -40°F to 140°F (-40°C to 60°C)

**P2L A X 5 91 VS**

Valve size	
1/8"	A
1/4"	B
3/8"	C
1/2"	D

Valve type / function	
3/2 NC - 2-position	3
5/2 2-position	5
5/3 3-position, APB	6
5/3 3-position, PC	7
5/3 3-position, CE	8

Actuator / position / lever	
JJ*	Twist handle detent, 2-position
VS	Spring return lever, 2-position, 90° to ports
VV	Lever, detent, 2-position, 90° to ports
ZS**	Spring return lever, 2-position, inline to ports
ZZ**	Lever detent, 2-position, inline to ports
11	Spring centered lever, 3-position, 90° to ports
22	Lever, detent, 3-position, 90° to ports
55**	Spring return lever, 3-position, inline to ports
66**	Lever detent, 3-position, inline to ports

\* Not available with 3-position valves. Available Size B only.  
 \*\* Size B valve only.

Main port thread	
11	G1/8 (P2LA)
12	G1/4 (P2LB)
1N*	G1/4 (P2LB) NAMUR mount
13	G3/8 (P2LC)
14	G1/2 (P2LD)
91	1/8" NPT (P2LA)
92	1/4" NPT (P2LB)
9N*	1/4 NPT (P2LB) NAMUR mount
93	3/8" NPT (P2LC)
94	1/2" NPT (P2LD)

 Most popular.

\* 5/2, 2-position valve only.



For inventory, lead times, and kit lookup, visit [www.pdnplu.com](http://www.pdnplu.com)



**Exhaust Mufflers**

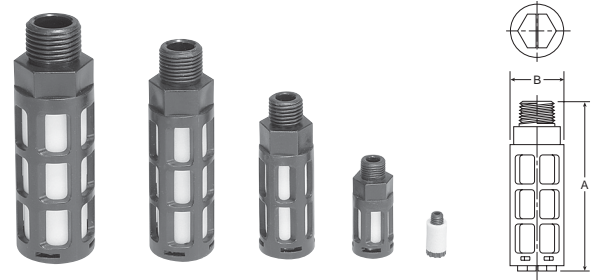
Pipe thread	Part number
M5	<b>P6M-PAC5</b>
1/8" NPT	<b>EM12</b>
1/4" NPT	<b>EM25</b>
3/8" NPT	<b>EM37</b>
1/2" NPT	<b>EM50</b>

P6M - Plastic; EM - Sintered bronze

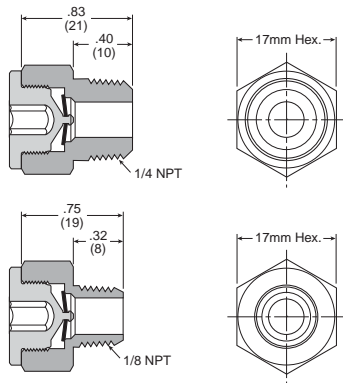


**Plastic Silencers**

Thread size	Part number			A (mm)	B (mm)
	NPT	BSPT	Metric		
M5			<b>AS-5</b>	.43 (11)	.32 (8)
1/8"	<b>ASN-6</b>	<b>AS-6</b>		1.57 (40)	.63 (16)
1/4"	<b>ASN-8</b>	<b>AS-8</b>		2.56 (65)	.83 (21)
3/8"	<b>ASN-10</b>	<b>AS-10</b>		3.35 (85)	.98 (25)
1/2"	<b>ASN-15</b>	<b>AS-15</b>		3.74 (95)	1.18 (30)



**Exhaust Protector**



**Specifications**

**Operating pressure** ..... 0 – 150 PSIG  
(0 to 10 bar, 0 to 1034 kPa)

**Operating temperature** ..... -40°F to 158°F (-40°C to 70°C)

**Material:**

Body and pipe adapter ..... Brass  
Membrane ..... Fluorocarbon

**Flow Data (SCFM)**

Part number	Size	60 PSIG inlet	90 PSIG inlet	125 PSIG inlet
<b>E90016</b>	1/8"	40.1	56.5	75.5
<b>E90017</b>	1/4"	44.6	62.7	83.5

**Features**

- 1/8 and 1/4 NPT male sizes
- Fitted with a brass pipe adapter and a fluorocarbon membrane
- Resistant to rust, clog, wash down and contamination

**Applications**

These protectors are intended for mobile applications, quick venting applications and alternative exhaust port breathers that require protection against clogging.

Ideal for valves exposed to harsh environmental conditions (which can cause a “caking up” in the exhaust pipe ports where the bronze mufflers or breather vents are installed).

Particularly suitable for time-sensitive applications such as axle-lift suspensions or pushers or tag axles.

Directair 2 & 4 Series

Viking Xtreme Lever Series

42 Lever / Pedal Series

M0 Series

Safety



Manual / Mechanical Valves

Brass Poppet / Sliding Seal

Control Panel Products

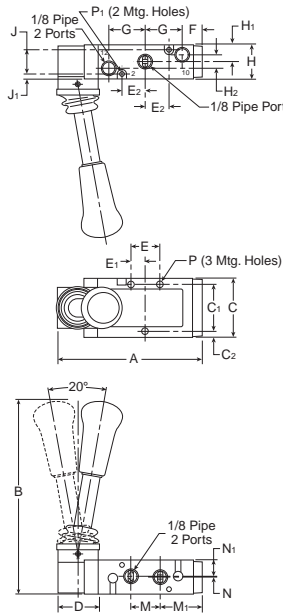
Sensing



For inventory, lead time, and kit lookup, visit [www.pdnplu.com](http://www.pdnplu.com)

**Dimensional Data**

**P2LAX 3/2 Hand Lever Operated**  
 Lever operation 90° to ports movement

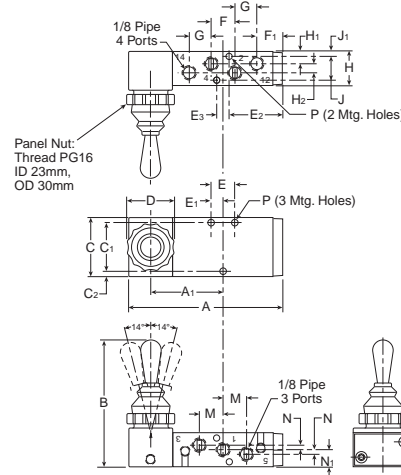


**P2LAX 3/2**

A	B	C
3.88 (99)	5.23 (133)	1.57 (40)
C <sub>1</sub>	C <sub>2</sub>	D
1.26 (32)	.16 (4)	1.06 (27)
E	E <sub>1</sub>	E <sub>2</sub>
.79 (20)	.39 (10)	.63 (16)
F	G	H
.55 (14)	.98 (25)	.87 (22)
H <sub>1</sub>	H <sub>2</sub>	J
.42 (10.6)	.02 (0.5)	.65 (16.5)
J <sub>1</sub>	M	M <sub>1</sub>
.11 (2.9)	.79 (20)	1.14 (29)
N	N <sub>1</sub>	P
.18 (4.5)	.26 (6.6)	Ø .17 (Ø 4.3)
P <sub>1</sub>	Ø .12 (Ø 3.1)	

Inches (mm)

**P2LAX 5/2 & 5/3 Hand Lever Operated**  
 Lever operation 90° to ports movement

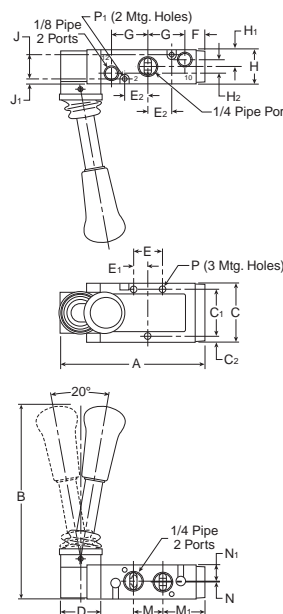


**P2LAX 5/2 & 5/3**

A	A <sub>1</sub>	B
4.02 (102)	1.89 (48)	3.23 (82)
C	C <sub>1</sub>	C <sub>2</sub>
1.57 (40)	1.30 (33)	.14 (3.5)
D	E <sub>2</sub>	E <sub>3</sub>
1.18 (30)	1.42 (36)	.33 (8.5)
F	F <sub>1</sub>	G
.63 (16)	.67 (17)	.59 (15)
H	H <sub>1</sub>	H <sub>2</sub>
.87 (22)	.31 (8)	.24 (6)
J	J <sub>1</sub>	M
.63 (16)	.12 (3)	.63 (16)
N	N <sub>1</sub>	P
.12 (3)	.43 (11)	Ø .16 (Ø 4.1)

Inches (mm)

**P2LBX 3/2 Hand Lever Operated**  
 Lever operation 90° to ports movement

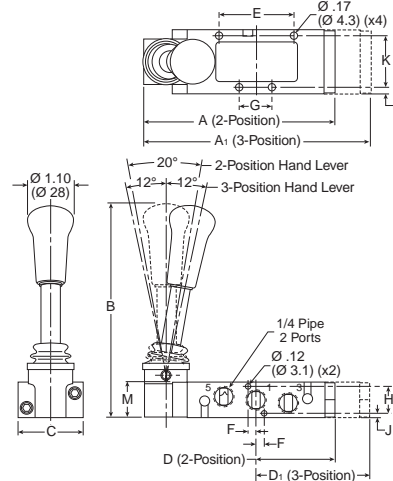


**P2LBX 3/2**

A	B	C
3.88 (99)	5.23 (133)	1.57 (40)
C <sub>1</sub>	C <sub>2</sub>	D
1.26 (32)	.16 (4)	1.06 (27)
E	E <sub>1</sub>	E <sub>2</sub>
.79 (20)	.39 (10)	.63 (16)
F	G	H
.55 (14)	.98 (25)	.87 (22)
H <sub>1</sub>	H <sub>2</sub>	J
.42 (10.6)	.02 (0.5)	.65 (16.5)
J <sub>1</sub>	M	M <sub>1</sub>
.11 (2.9)	.79 (20)	1.14 (29)
N	N <sub>1</sub>	P
.18 (4.5)	.26 (6.6)	Ø .17 (Ø 4.3)
P <sub>1</sub>	Ø .12 (Ø 3.1)	

Inches (mm)

**P2LBX 5/2 & 5/3 Hand Lever Operated**  
 Lever operation 90° to ports movement



**P2LBX 5/2 & 5/3**

A	A <sub>1</sub>	B	
4.67 (118.5)	5.51 (140)	5.19 (131.8)	
C	D	D <sub>1</sub>	
1.57 (40)	1.93 (49)	2.35 (59.8)	
E	F	G	
1.81 (46)	.20 (5)	.79 (20)	
H	J	K	
.65 (16.5)	.11 (2.85)	1.26 (32)	
L	M		
.16 (4)	.87 (22.2)		

Inches (mm)



For inventory, lead times, and kit lookup, visit [www.pdnplu.com](http://www.pdnplu.com)

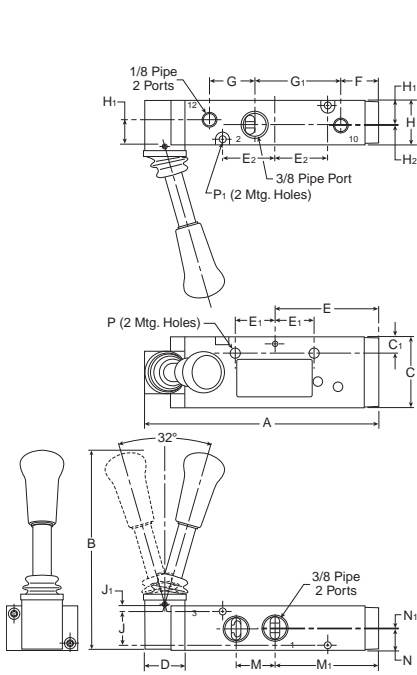
E17-a

**Parker Hannifin Corporation**  
 Pneumatic Division  
 Richland, Michigan  
[www.parker.com/pneumatics](http://www.parker.com/pneumatics)

Directair 2 & 4 Series  
 Viking Xtreme Lever Series  
 42 Lever / Pedal Series  
 M0 Series  
 Safety  
 Manual / Mechanical Valves  
 Brass Poppet / Sliding Seal  
 Control Panel Products  
 Sensing

**Dimensional Data**

**P2LCX 3/2 Hand Lever Operated**  
 Lever operation 90° to ports movement

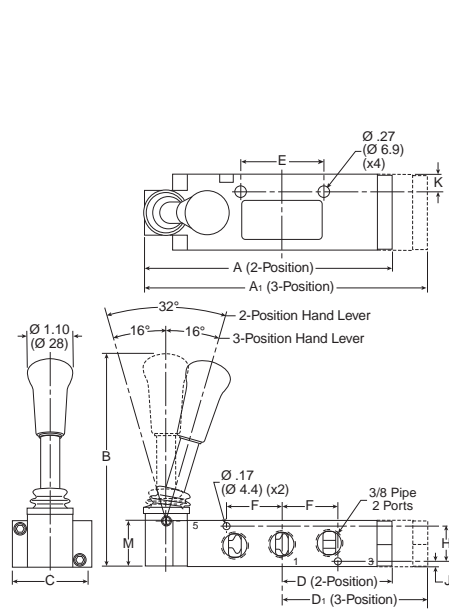


**P2LCX 3/2**

A	B	C
6.20 (158)	5.36 (136)	1.89 (48)
C <sub>1</sub>	D	E
.43 (11)	1.06 (27)	2.76 (70)
E <sub>1</sub>	E <sub>2</sub>	F
1.04 (27)	1.40 (36)	1.02 (26)
G	G <sub>1</sub>	H
1.22 (31)	2.24 (57)	1.18 (30)
H <sub>1</sub>	H <sub>2</sub>	J
.67 (17)	.02 (0.5)	.91 (23)
J <sub>1</sub>	M	M <sub>1</sub>
.14 (3.5)	1.18 (30)	2.76 (70)
N	N <sub>1</sub>	P
.59 (15)	.04 (1)	Ø .27 (Ø 6.9)
P <sub>1</sub>	Ø .17 (Ø 4.4)	

Inches (mm)

**P2LCX 5/2 & 5/3 Hand Lever Operated**  
 Lever operation 90° to ports movement

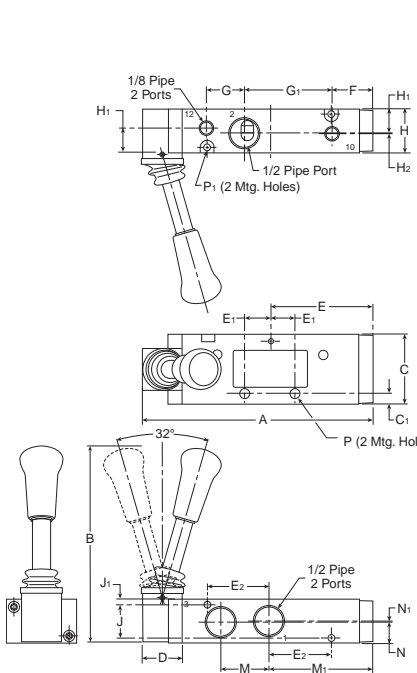


**P2LCX 5/2 & 5/3**

A	A <sub>1</sub>	B
6.20 (157.5)	7.07 (179.5)	5.36 (136.3)
C	D	D <sub>1</sub>
1.89 (48)	2.76 (70)	3.19 (81)
E	F	H
2.09 (53)	1.40 (35.5)	.91 (23)
J	K	M
.14 (3.5)	.43 (11)	1.18 (30)

Inches (mm)

**P2LDX 3/2 Hand Lever Operated**  
 Lever operation 90° to ports movement

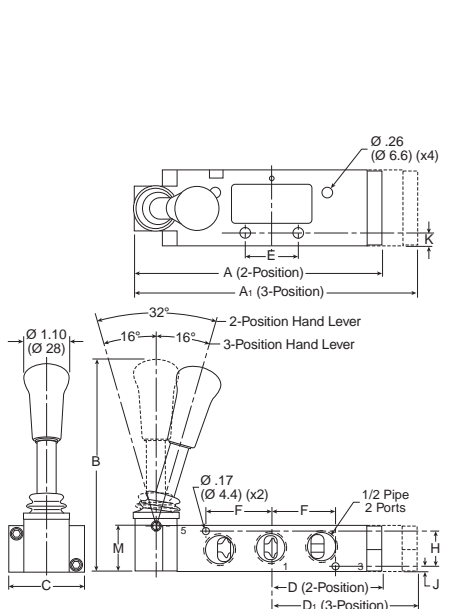


**P2LDX 3/2**

A	B	C
6.20 (158)	5.36 (136)	1.89 (48)
C <sub>1</sub>	D	E
.30 (7.5)	1.06 (27)	2.76 (70)
E <sub>1</sub>	E <sub>2</sub>	F
.67 (17)	1.65 (42)	1.08 (28)
G	G <sub>1</sub>	H
.98 (25)	2.36 (60)	1.18 (30)
H <sub>1</sub>	H <sub>2</sub>	J
.67 (17)	.02 (0.5)	.91 (23)
J <sub>1</sub>	M	M <sub>1</sub>
.14 (3.5)	1.30 (33)	2.76 (70)
N	N <sub>1</sub>	P
.59 (15)	.04 (1)	Ø .26 (Ø 6.6)
P <sub>1</sub>	Ø .17 (Ø 4.4)	

Inches (mm)

**P2LDX 5/2 & 5/3 Hand Lever Operated**  
 Lever operation 90° to ports movement



**P2LDX 5/2 & 5/3**

A	A <sub>1</sub>	B
6.20 (157.5)	7.07 (179.5)	5.36 (136.3)
C	D	D <sub>1</sub>
1.89 (48)	3.19 (81)	2.76 (70)
E	F	H
1.34 (34)	1.65 (42)	.91 (23)
J	K	M
.14 (3.5)	.30 (7.5)	1.18 (30)

Inches (mm)



For inventory, lead time, and kit lookup, visit [www.pdnplu.com](http://www.pdnplu.com)

Directair 2  
& 4 Series

Viking Xtreme  
Lever Series

42 Lever/  
Pedal Series

MO Series

Safety



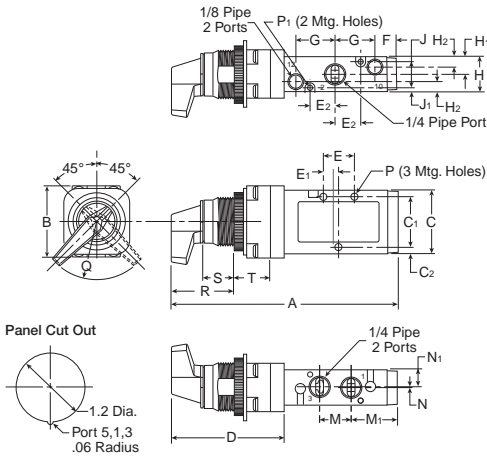
Manual / Mechanical  
Valves

Brass Poppet /  
Sliding Seal

Control Panel  
Products

Sensing

**P2LBX 3/2 Twist Lever Operated**

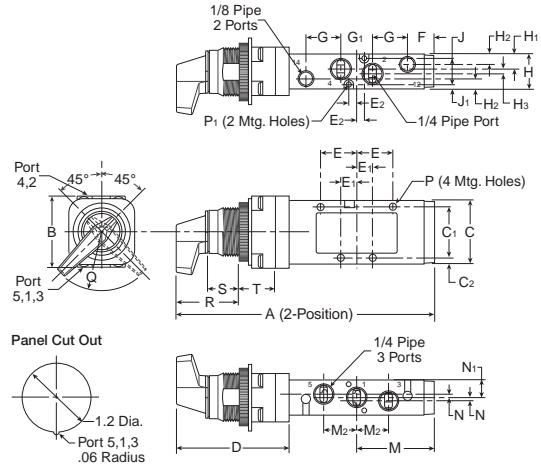


**P2LBX 3/2**

A	B	C	C <sub>1</sub>	C <sub>2</sub>	D	E	E <sub>1</sub>	E <sub>2</sub>
5.67 (144)	1.79 (45.5)	1.57 (40)	1.26 (32)	.16 (4)	2.87 (73)	.79 (20)	.39 (10)	.63 (16)
F	G	H	H <sub>1</sub>	H <sub>2</sub>	J	J <sub>1</sub>	M	M <sub>1</sub>
.55 (14)	.98 (25)	.87 (22.2)	.44 (11.1)	.26 (6.6)	.65 (16.5)	.11 (2.9)	.79 (20)	1.14 (29)
N	N <sub>1</sub>	P	P <sub>1</sub>	Q	R	S	T	
.02 (0.5)	.42 (10.6)	∅ .17 (∅ 4.3)	∅ .12 (∅ 3.1)	1.5R (38.1)R	1.85 (47)	1.10 (28)	.67 (17)	

Inches (mm)

**P2LBX 5/2 Twist Lever Operated**

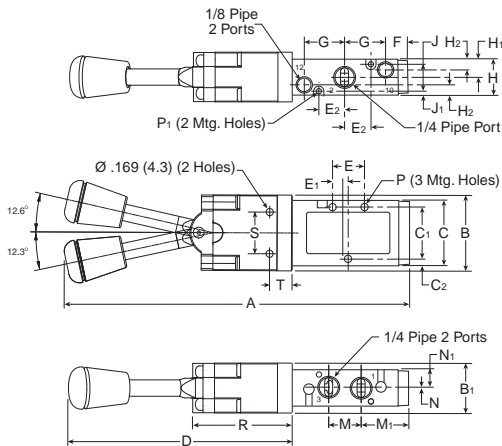


**P2LBX 5/2**

A	B	C	C <sub>1</sub>	C <sub>2</sub>	D	E	E <sub>1</sub>	E <sub>2</sub>	F
6.46 (164)	1.79 (45.5)	1.57 (40)	1.26 (32)	.15 (4)	2.87 (73)	.91 (23)	.39 (10)	.20 (5)	.67 (17)
G	G <sub>1</sub>	H	H <sub>1</sub>	H <sub>2</sub>	H <sub>3</sub>	J	J <sub>1</sub>	M	M <sub>2</sub>
.87 (22)	.79 (20)	.87 (22.2)	.44 (11.1)	.26 (6.6)	.12 (3)	.65 (16.5)	.11 (2.9)	1.93 (49)	.79 (20)
N	N <sub>1</sub>	P	P <sub>1</sub>	Q	R	S	T		
.08 (0.2)	.44 (11.1)	∅ .17 (∅ 4.3)	∅ .12 (∅ 3.1)	1.5R (38.1)R	1.85 (47)	1.10 (28)	.67 (17)		

Inches (mm)

**P2LBX 3/2 Knob Lever Operated**  
 Lever operation inline with ports

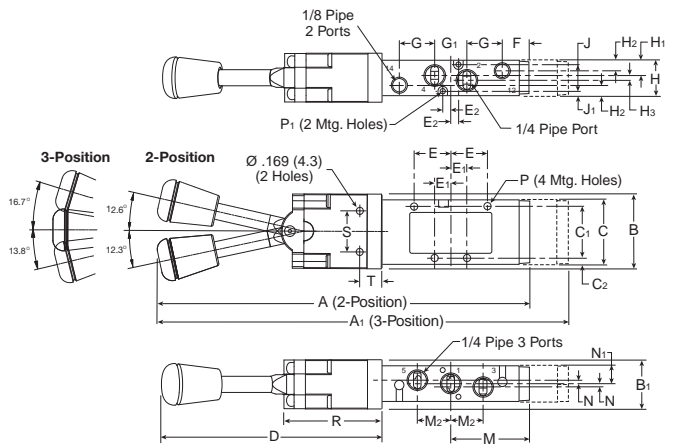


**P2LBX 3/2**

A	B	B <sub>1</sub>	C	C <sub>1</sub>	C <sub>2</sub>	D	E	E <sub>1</sub>
8.19 (208)	1.79 (45.5)	1.2 (30.5)	1.57 (40)	1.26 (32)	.16 (4)	5.39 (137)	.79 (20)	.39 (10)
E <sub>2</sub>	F	G	H	H <sub>1</sub>	H <sub>2</sub>	J	J <sub>1</sub>	M
.63 (16)	.55 (14)	.98 (25)	.87 (22.2)	.44 (11.1)	.26 (6.6)	.65 (16.5)	.11 (2.9)	.79 (20)
M <sub>1</sub>	N	N <sub>1</sub>	P	P <sub>1</sub>	R	S	T	
1.14 (29)	.02 (0.5)	.42 (10.6)	∅ .17 (∅ 4.3)	∅ .12 (∅ 3.1)	2.38 (60.5)	.98 (25.0)	.52 (13.2)	

Inches (mm)

**P2LBX 5/2 & 5/3 Knob Lever Operated**  
 Lever operation inline with ports



**P2LBX 5/2 & 5/3**

A	A <sub>1</sub>	B	B <sub>1</sub>	C	C <sub>1</sub>	C <sub>2</sub>	D	E	E <sub>1</sub>
8.97 (228)	9.84 (250)	1.79 (45.5)	1.2 (30.5)	1.57 (40)	1.26 (32)	.15 (4)	5.39 (137)	.91 (23)	.39 (10)
E <sub>2</sub>	F	G	G <sub>1</sub>	H	H <sub>1</sub>	H <sub>2</sub>	H <sub>3</sub>	J	J <sub>1</sub>
.20 (5)	.67 (17)	.87 (22)	.79 (20)	.87 (22.2)	.44 (11.1)	.26 (6.6)	.12 (3)	.65 (16.5)	.11 (2.9)
M	M <sub>2</sub>	N	N <sub>1</sub>	P	P <sub>1</sub>	R	S	T	
1.93 (49)	.79 (20)	.08 (0.2)	.44 (11.1)	∅ .17 (∅ 4.3)	∅ .12 (∅ 3.1)	2.38 (60.5)	.98 (25.0)	.52 (13.2)	

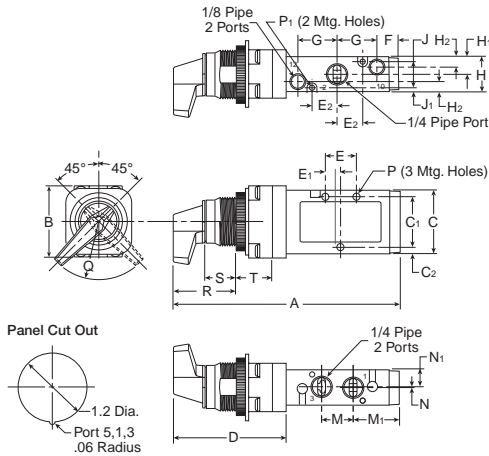
Inches (mm)

Directair 2 & 4 Series  
 Viking Xtreme Lever Series  
 42 Lever / Pedal Series  
 M0 Series  
 Safety  
 Manual / Mechanical Valves  
 Brass Poppet / Sliding Seal  
 Control Panel Products  
 Sensing



For inventory, lead times, and kit lookup, visit [www.pdnplu.com](http://www.pdnplu.com)

**P2LBX 3/2 Twist Lever Operated**

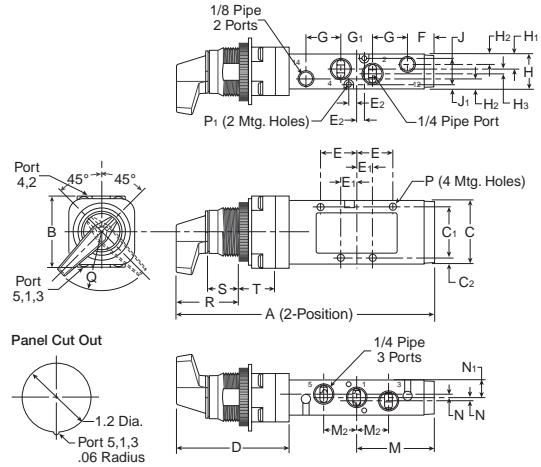


**P2LBX 3/2**

A	B	C	C <sub>1</sub>	C <sub>2</sub>	D	E	E <sub>1</sub>	E <sub>2</sub>
5.67 (144)	1.79 (45.5)	1.57 (40)	1.26 (32)	.16 (4)	2.87 (73)	.79 (20)	.39 (10)	.63 (16)
F	G	H	H <sub>1</sub>	H <sub>2</sub>	J	J <sub>1</sub>	M	M <sub>1</sub>
.55 (14)	.98 (25)	.87 (22.2)	.44 (11.1)	.26 (6.6)	.65 (16.5)	.11 (2.9)	.79 (20)	1.14 (29)
N	N <sub>1</sub>	P	P <sub>1</sub>	Q	R	S	T	
.02 (0.5)	.42 (10.6)	∅ .17 (4.3)	∅ .12 (3.1)	1.5R (38.1)R	1.85 (47)	1.10 (28)	.67 (17)	

Inches (mm)

**P2LBX 5/2 Twist Lever Operated**

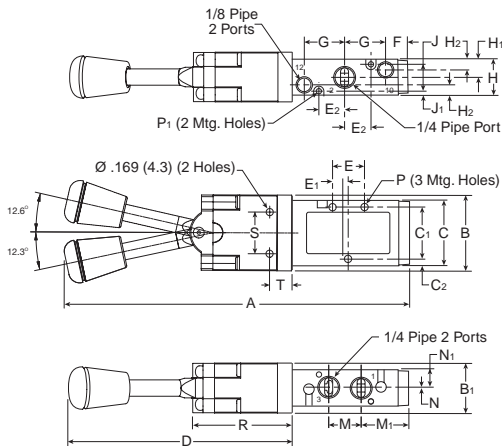


**P2LBX 5/2**

A	B	C	C <sub>1</sub>	C <sub>2</sub>	D	E	E <sub>1</sub>	E <sub>2</sub>	F
6.46 (164)	1.79 (45.5)	1.57 (40)	1.26 (32)	.15 (4)	2.87 (73)	.91 (23)	.39 (10)	.20 (5)	.67 (17)
G	G <sub>1</sub>	H	H <sub>1</sub>	H <sub>2</sub>	H <sub>3</sub>	J	J <sub>1</sub>	M	M <sub>2</sub>
.87 (22)	.79 (20)	.87 (22.2)	.44 (11.1)	.26 (6.6)	.12 (3)	.65 (16.5)	.11 (2.9)	1.93 (49)	.79 (20)
N	N <sub>1</sub>	P	P <sub>1</sub>	Q	R	S	T		
.08 (0.2)	.44 (11.1)	∅ .17 (4.3)	∅ .12 (3.1)	1.5R (38.1)R	1.85 (47)	1.10 (28)	.67 (17)		

Inches (mm)

**P2LBX 3/2 Knob Lever Operated**  
 Lever operation inline with ports

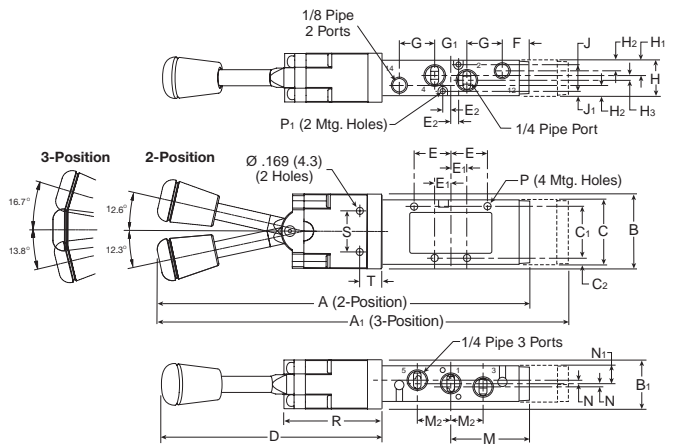


**P2LBX 3/2**

A	B	B <sub>1</sub>	C	C <sub>1</sub>	C <sub>2</sub>	D	E	E <sub>1</sub>
8.19 (208)	1.79 (45.5)	1.2 (30.5)	1.57 (40)	1.26 (32)	.16 (4)	5.39 (137)	.79 (20)	.39 (10)
E <sub>2</sub>	F	G	H	H <sub>1</sub>	H <sub>2</sub>	J	J <sub>1</sub>	M
.63 (16)	.55 (14)	.98 (25)	.87 (22.2)	.44 (11.1)	.26 (6.6)	.65 (16.5)	.11 (2.9)	.79 (20)
M <sub>1</sub>	N	N <sub>1</sub>	P	P <sub>1</sub>	R	S	T	
1.14 (29)	.02 (0.5)	.42 (10.6)	∅ .17 (4.3)	∅ .12 (3.1)	2.38 (60.5)	.98 (25.0)	.52 (13.2)	

Inches (mm)

**P2LBX 5/2 & 5/3 Knob Lever Operated**  
 Lever operation inline with ports



**P2LBX 5/2 & 5/3**

A	A <sub>1</sub>	B	B <sub>1</sub>	C	C <sub>1</sub>	C <sub>2</sub>	D	E	E <sub>1</sub>
8.97 (228)	9.84 (250)	1.79 (45.5)	1.2 (30.5)	1.57 (40)	1.26 (32)	.15 (4)	5.39 (137)	.91 (23)	.39 (10)
E <sub>2</sub>	F	G	G <sub>1</sub>	H	H <sub>1</sub>	H <sub>2</sub>	H <sub>3</sub>	J	J <sub>1</sub>
.20 (5)	.67 (17)	.87 (22)	.79 (20)	.87 (22.2)	.44 (11.1)	.26 (6.6)	.12 (3)	.65 (16.5)	.11 (2.9)
M	M <sub>2</sub>	N	N <sub>1</sub>	P	P <sub>1</sub>	R	S	T	
1.93 (49)	.79 (20)	.08 (0.2)	.44 (11.1)	∅ .17 (4.3)	∅ .12 (3.1)	2.38 (60.5)	.98 (25.0)	.52 (13.2)	

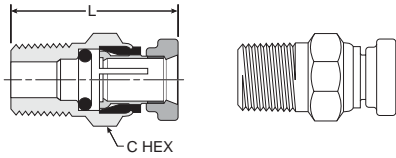
Inches (mm)



For inventory, lead times, and kit lookup, visit [www.pdnplu.com](http://www.pdnplu.com)

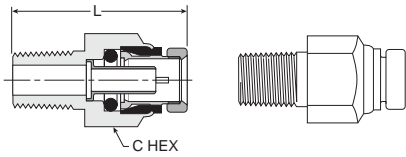
Directair 2 & 4 Series  
 Viking Xtreme Lever Series  
 42 Lever / Pedal Series  
 M0 Series  
 Safety  
 Manual / Mechanical Valves  
 Brass Poppet / Sliding Seal  
 Control Panel Products  
 Sensing

**68PM Male Connector**



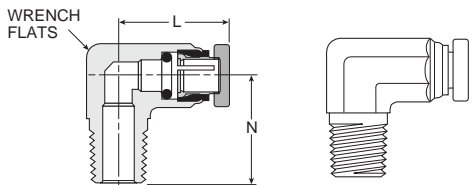
Part number	Tube size	Pipe thread (NPTF)	C hex	L
68PM-2-1	1/8	1/16	3/82	0.93
68PM-2-2	1/8	1/8	7/16	0.88
68PM-5/32-1	5/32	1/16	3/8	0.95
68PM-5/32-2	5/32	1/8	7/16	0.74
68PM-5/32-4	5/32	1/4	9/16	0.99
68PM-3-1	3/16	1/16	7/16	0.95
68PM-3-2	3/16	1/8	7/16	0.92
68PM-3-4	3/16	1/4	9/16	1.10

**68PMT Male Connector**



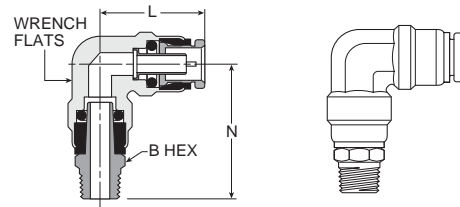
Part number	Tube size	Pipe thread (NPTF)	C hex	L
68PMT-4-2	1/4	1/8	1/2	1.06
68PMT-4-4	1/4	1/4	9/16	1.19
68PMT-4-6	1/4	3/8	3/4	1.27
68PMT-6-2	3/8	1/8	3/4	1.37
68PMT-6-4	3/8	1/4	3/4	1.43
68PMT-6-6	3/8	3/8	3/4	1.33
68PMT-6-8	3/8	1/2	7/8	1.38
68PMT-8-4	1/2	1/4	7/8	1.72
68PMT-8-6	1/2	3/8	7/8	1.52
68PMT-8-8	1/2	1/2	7/8	1.44
68PMT-10-6	5/8	3/8	1	1.88
68PMT-10-8	5/8	1/2	1	1.88
68PMT-12-8	3/4	1/2	1-3/16	2.03

**169PMNS Male Elbow Non-Swivel 90°**



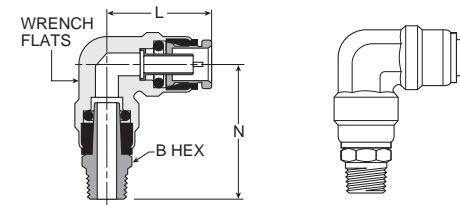
Part number	Tube size	Pipe thread (NPTF)	Wrench flats	L	N
169PMNS-2-2	1/8	1/8	3/8	0.86	0.68
169PMNS-5/32-2	5/32	1/8	3/8	0.88	0.68
169PMNS-3-2	3/16	1/8	3/8	0.75	0.67
169PMNS-3-4	3/16	1/4	1/2	0.74	0.93

**169PMT Male Elbow Swivel 90°**



Part number	Tube size	Pipe Thread (NPTF)	Wrench flats	B hex	L	N
169PMT-4-2	1/4	1/8	13/32	7/16	0.84	1.21
169PMT-4-4	1/4	1/4	13/32	9/16	0.84	1.43
169PMT-4-6	1/4	3/8	13/32	11/16	0.84	1.43
169PMT-6-2	3/8	1/8	9/16	9/16	1.11	1.41
169PMT-6-4	3/8	1/4	9/16	9/16	1.11	1.58
169PMT-6-6	3/8	3/8	9/16	11/16	1.11	1.58
169PMT-6-8	3/8	1/2	9/16	7/8	1.11	1.79
169PMT-8-4	1/2	1/4	11/16	5/8	1.27	1.73
169PMT-8-6	1/2	3/8	11/16	3/4	1.27	1.81
169PMT-8-8	1/2	1/2	11/16	7/8	1.27	1.96
169PMT-10-6	5/8	3/8	7/8	3/4	1.53	2.03
169PMT-10-8	5/8	1/2	7/8	7/8	1.53	2.18

**169PMTL Male Elbow Long Non-Swivel 90°**



Part number	Tube size	Pipe Thread (NPTF)	Wrench flats	B hex	L	N
169PMTL-6-4	3/8	1/4	9/16	9/16	1.06	1.63
169PMTL-6-6	3/8	3/8	9/16	7/8	1.19	2.50
169PMTL-6-8	3/8	1/2	9/16	7/8	1.19	2.50
169PMTL-8-8	1/2	1/2	11/16	7/8	1.22	2.50
169PMTL-10-8	5/8	1/2	7/8	7/8	1.46	2.50



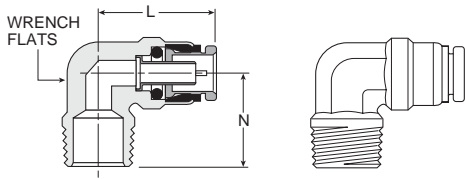
For inventory, lead time, and kit lookup, visit [www.pdnplu.com](http://www.pdnplu.com)





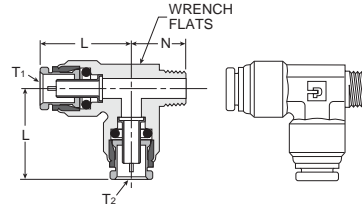
**Dimensional Data**

**169PMTNS Male Elbow Non-Swivel 90°**



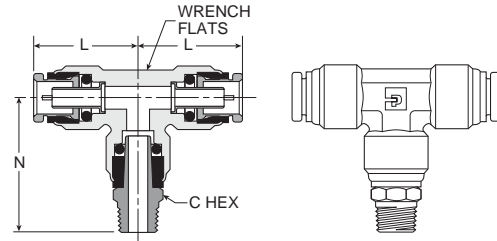
Part number	Tube size	Pipe thread (NPTF)	Wrench flats	L	N
169PMTNS-4-2	1/4	1/8	1/2	0.84	0.72
169PMTNS-4-4	1/4	1/4	1/2	0.84	0.90
169PMTNS-4-6	1/4	3/8	1/2	0.84	1.06
169PMTNS-6-2	3/8	1/8	9/16	1.05	0.75
169PMTNS-6-4	3/8	1/4	9/16	1.05	0.94
169PMTNS-6-6	3/8	3/8	3/4	1.05	0.94
169PMTNS-6-8	3/8	1/2	11/16	1.12	1.26
169PMTNS-8-4	1/2	1/4	11/16	1.17	1.06
169PMTNS-8-6	1/2	3/8	11/16	1.22	1.06
169PMTNS-8-8	1/2	1/2	11/16	1.22	1.26
169PMTNS-10-6	5/8	3/8	7/8	1.46	1.11
169PMTNS-10-8	5/8	1/2	7/8	1.46	1.32
169PMTNS-12-8	3/4	1/2	1	1.81	1.44

**171PMTNS Male Run Tee Non-Swivel**



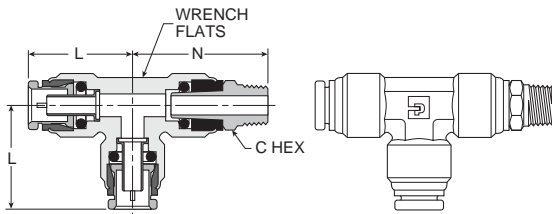
Part number	Tube 1 size	Tube 2 size	Pipe thread (NPTF)	Wrench flats	L1	L2	N
171PMTNS-4-4	1/4	1/4	1/4	15-32	0.91	0.91	0.94
171PMTNS-4-6-4	1/4	3/8	1/4	5/8	0.93	1.21	0.97
171PMTNS-6-4	3/8	3/8	1/4	5/8	1.21	1.21	0.97
171PMTNS-6-4-4	3/8	1/4	1/4	5/8	1.21	0.93	0.97
171PMTNS-6-4-6	3/8	1/4	3/8	5/8	1.22	0.97	0.93
171PMTNS-6-6	1/2	3/8	3/8	5/8	1.21	1.27	0.97
171PMTNS-6-8	1/2	3/8	1/2	5/8	1.17	1.27	1.26
171PMTNS-8-4	1/2	1/2	1/4	7/8	1.28	1.27	1.06

**172PMT Male Branch Tee Swivel**



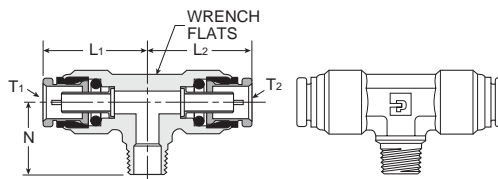
Part number	Tube size	Pipe thread (NPTF)	Wrench flats	C hex	L	N
172PMT-4-2	1/4	1/8	1/2	7/16	0.85	1.25
172PMT-4-4	1/4	1/4	1/2	9/16	0.85	1.43
172PMT-6-2	3/8	1/8	5/8	9/16	1.22	1.66
172PMT-6-4	3/8	1/4	5/8	5/8	1.22	1.83
172PMT-6-6	3/8	3/8	5/8	3/4	1.22	1.83
172PMT-8-4	1/2	1/4	7/8	5/8	1.27	1.73
172PMT-8-6	1/2	3/8	7/8	3/4	1.27	1.79
172PMT-8-8	1/2	1/2	7/8	7/8	1.27	1.97

**171PMT Male Run Tee Swivel**



Part number	Tube size	Pipe thread (NPTF)	Wrench flats	L	N	N
171PMT-4-2	1/4	1/8	1/2	7/16	.85	1.25
171PMT-4-4	1/4	1/4	1/2	9/16	.85	1.48
171PMT-4-6	1/4	3/8	1/2	11/16	.85	1.43
171PMT-6-4	3/8	1/4	5/8	9/16	1.21	1.83
171PMT-6-6	3/8	3/8	5/8	11/16	1.21	1.83
171PMT-8-4	1/2	1/4	7/8	5/8	1.27	1.74
171PMT-8-6	1/2	3/8	7/8	3/4	1.27	1.83
171PMT-8-8	1/2	1/2	7/8	7/8	1.27	1.99

**172PMTNS Male Branch Tee Non-Swivel**



Part number	Tube 1 size	Tube 2 size	Pipe thread (NPTF)	Wrench flats	L1	L2	N
172PMTNS-4-2	1/4	1/4	1/8	1/2	0.91	0.91	0.78
172PMTNS-6-4	3/8	3/8	1/4	5/8	1.21	1.21	0.97
172PMTNS-6-4-4	3/8	1/4	1/4	5/8	1.21	.93	0.97
172PMTNS-6-6	3/8	3/8	3/8	5/8	1.21	1.21	0.97
172PMTNS-6-8	3/8	3/8	1/2	7/8	1.17	1.17	1.26
172PMTNS-8-6	1/2	1/2	3/8	7/8	1.28	1.28	1.06
172PMTNS-8-6-8	1/2	3/8	1/2	7/8	1.25	1.25	1.25
172PMTNS-8-8	1/2	1/2	1/2	7/8	1.34	1.25	1.25

Directair 2 & 4 Series

Viking Xtreme Lever Series

42 Lever / Pedal Series

MO Series

Safety



Manual / Mechanical Valves

Brass Poppet / Sliding Seal

Control Panel Products

Sensing



For inventory, lead times, and kit lookup, visit [www.pdnplu.com](http://www.pdnplu.com)

## 42 Lever / Pedal Series

### Heavy duty lever

- Parallel mount handle
- Perpendicular mount handle

### Heavy duty foot pedal

#### 2 port sizes

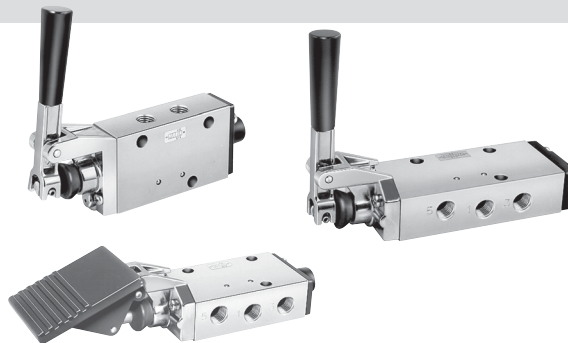
- 1/4" port – 1.3 to 2.2 Cv
- 3/8" port – 1.3 to 2.9 Cv

#### 2-position

- 4-way

#### 3-position valves

- All ports blocked
- Center exhaust



### Operating information

Operating pressure: Vacuum to 150 PSI (710 mmHg to 1035 kPa)

Temperature range: 0°F to 140°F (-18°C to 60°C)

### Lever Valve - 2-Position

	Symbol	Port size	Cv	Description	Valve type	Part number
		1/4"	2.2	Inline, parallel	2-position, spring return	<b>422CS011K</b>
		3/8"	2.9	Inline, parallel	2-position, spring return	<b>422CS021K</b>
		1/4"	2.2	Inline, parallel	2-position, detent	<b>422CS011W</b>
		3/8"	2.9	Inline, parallel	2-position, detent	<b>422CS021W</b>
		1/4"	2.2	Inline, perpendicular	2-position, spring return	<b>422CR011K</b>
		3/8"	2.9	Inline, perpendicular	2-position, spring return	<b>422CR021K</b>
		1/4"	2.2	Inline, perpendicular	2-position, detent	<b>422CR011W</b>
		3/8"	2.9	Inline, perpendicular	2-position, detent	<b>422CR021W</b>

### Lever Valve - 3-Position

	Symbol	Port size	Cv	Description	Valve type	Part number
		1/4"	1.3	Inline, parallel	3-position, APB	<b>422CS013W</b>
		3/8"	1.3	Inline, parallel	3-position, APB	<b>422CS023W</b>
		1/4"	1.3	Inline, parallel	3-position, CE	<b>422CS014W</b>
		3/8"	1.3	Inline, parallel	3-position, CE	<b>422CS024W</b>
		1/4"	1.3	Inline, perpendicular	3-position, APB	<b>422CR013W</b>
		3/8"	1.3	Inline, perpendicular	3-position, APB	<b>422CR023W</b>
		1/4"	1.3	Inline, perpendicular	3-position, CE	<b>422CR014W</b>
		3/8"	1.3	Inline, perpendicular	3-position, CE	<b>422CR024W</b>

### Foot Pedal Valve - 2-Position

	Symbol	Port size	Cv	Description	Valve type	Part number
		1/4"	2.2	Foot pedal	2-position, spring return	<b>422CT011K</b>
		3/8"	2.9	Foot pedal	2-position, spring return	<b>422CT021K</b>
				Foot pedal guard*		<b>PS2043P</b>

\* This kit contains the valve mounting hardware.

### CAUTION:

*This valve shall not be used to actuate a punch press. Do not use this valve on punch presses or press brakes. See OSHA 1910.217.*

Most popular.



For inventory, lead time, and kit lookup, visit [www.pdnplu.com](http://www.pdnplu.com)

42 Lever / Pedal Series

**422 C R 0 1 1 K**

Operator #14 End	
Lever Perpendicular (Inline Only)	R
Lever Parallel	S
Foot Pedal (2-Position, Spring Return, Inline Only)	T

Operator #12 End	
K	Spring Return (2-Position Only)
W	Detented

Style	
NPT	0

Function (4-Way)	
2-Position	
1	Single Pressure
3-Position*	
3	Single Pressure - All Ports Blocked
4	Single Pressure - Cyl. Ports to Exhaust

\* Available Detented Only.

Port Size	
1	1/4"
2	3/8"

Valve body service kits

2-position valve	Single pressure	<b>PS2038P</b>
	Dual pressure	<b>PS2039P</b>
3-position valve	Single pressure	<b>PS2041P</b>

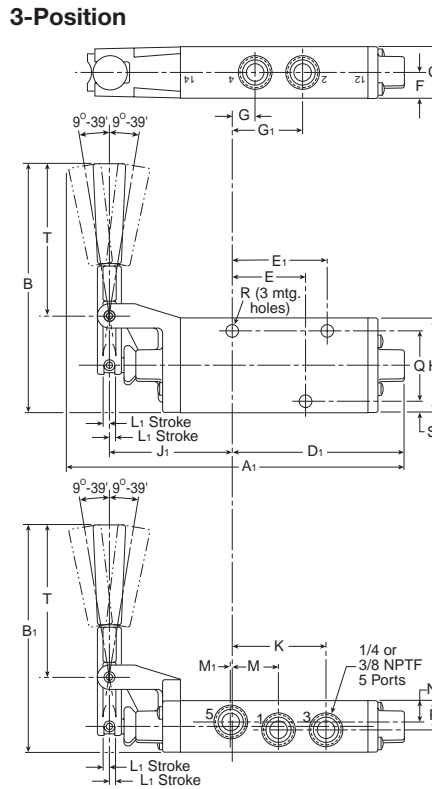
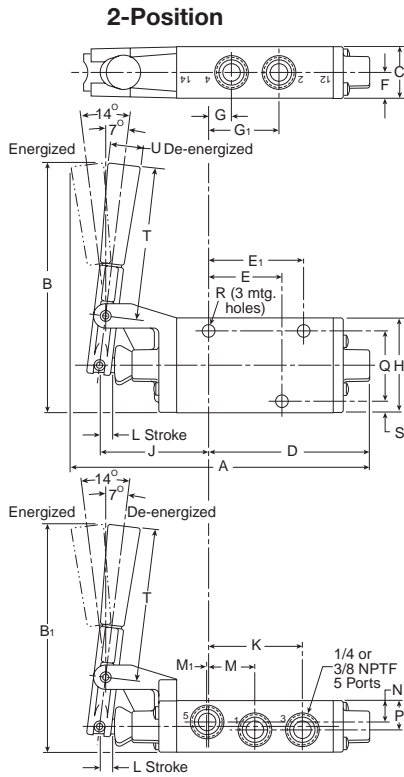
Kit includes: all soft seals and spool.

Most popular.



For inventory, lead times, and kit lookup, visit [www.pdnplu.com](http://www.pdnplu.com)

Directair 2 & 4 Series  
Viking Xtreme Lever Series  
42 Lever / Pedal Series  
MO Series  
Safety  
Manual / Mechanical Valves  
Brass Poppet / Sliding Seal  
Control Panel Products  
Sensing



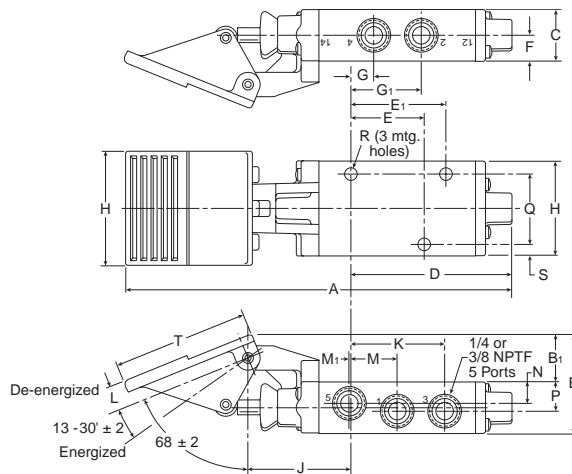
**Lever Valve**

<b>A</b> 6.70 (170)	<b>A<sub>1</sub></b> 7.58 (193)	<b>B</b> 5.55 (141)	<b>B<sub>1</sub></b> 5.05 (128)	<b>C</b> 1.15 (29)
<b>D</b> 3.59 (91)	<b>D<sub>1</sub></b> 3.83 (97)	<b>E</b> 1.58 (40)	<b>E<sub>1</sub></b> 2.06 (52)	<b>F</b> .57 (14)
<b>G NPT</b> 1/4" .51 (13) 3/8" .55 (14)	<b>G<sub>1</sub> NPT</b> 1/4" 1.56 (40) 3/8" 1.51 (38)	<b>H</b> 2.13 (54)	<b>J</b> 2.44 (62)	<b>J<sub>1</sub></b> 2.80 (71)
<b>K NPT</b> 1/4" 2.08 (53) 3/8" 2.13 (54)	<b>L</b> .25 (6)	<b>L<sub>1</sub></b> .18 (5)	<b>M</b> 1.03 (36)	<b>M<sub>1</sub> NPT</b> 1/4" .02 (.5) 3/8" .06 (2)
<b>N</b> .50 (13)	<b>P</b> .65 (17)	<b>Q</b> 1.58 (40)	<b>R</b> .33 (8)	<b>S</b> .27 (7)
<b>T</b> 3.42 (87)				

**U Dia**

.75  
(19)

Inches (mm)



**Foot Pedal Valve**

<b>A</b> 8.64 (220)	<b>B</b> 2.18 (55)	<b>B<sub>1</sub></b> 1.03 (26)	<b>C</b> 1.15 (29)	<b>D</b> 3.59 (91)
<b>E</b> 1.58 (40)	<b>E<sub>1</sub></b> 2.06 (52)	<b>F</b> .57 (14)	<b>G NPT</b> 1/4" .51 (13) 3/8" .55 (14)	<b>J</b> 2.32 (59)
<b>G<sub>1</sub> NPT</b> 1/4" 1.56 (40) 3/8" 1.51 (38)	<b>H</b> 2.13 (54)	<b>H<sub>1</sub></b> 2.50 (64)	<b>K NPT</b> 1/4" 2.08 (53) 3/8" 2.13 (54)	<b>L</b> .60 (15)
<b>M</b> 1.03 (26)	<b>M<sub>1</sub> NPT</b> 1/4" .02 (.5) 3/8" .06 (2)	<b>N</b> .50 (13)	<b>P</b> .65 (17)	<b>Q</b> 1.58 (40)
<b>R</b> .33 (8)	<b>S</b> .27 (7)	<b>T</b> 3.00 (76)	<b>U</b> .48 (11)	

Inches (mm)

**Foot Valve Guard: PS2043P\***

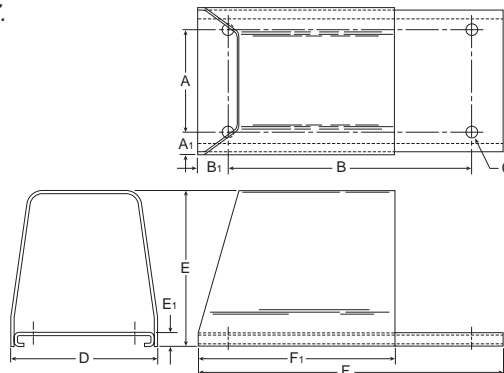
<b>A</b> 4.50 (114)	<b>A<sub>1</sub></b> .75 (19)	<b>B</b> 10.50 (267)	<b>B<sub>1</sub></b> 1.25 (32)	<b>C</b> .48 (11)
<b>D</b> 6.00 (152)	<b>E</b> 7.13 (181)	<b>E<sub>1</sub></b> .50 (13)	<b>F</b> 13.00 (330)	<b>F<sub>1</sub></b> 8.38 (213)

Inches (mm)

\* This kit contains the valve mounting hardware.

**CAUTION:**

*This valve shall not be used to actuate a punch press. Do not use this valve on punch presses or press brakes. See OSHA 1910.217.*



For inventory, lead time, and kit lookup, visit [www.pdnplu.com](http://www.pdnplu.com)

Directair 2 & 4 Series

Viking Xtreme Lever Series

42 Lever / Pedal Series

MO Series

Safety



Manual / Mechanical Valves

Brass Poppet / Sliding Seal

Control Panel Products

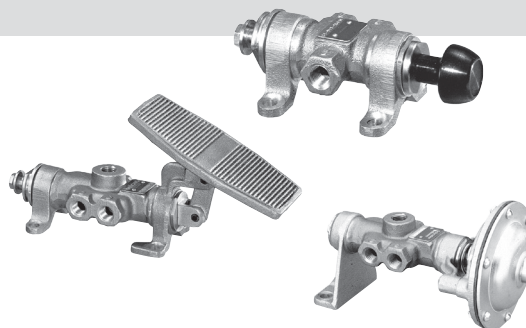
Sensing

Features

MO Series

MO Series

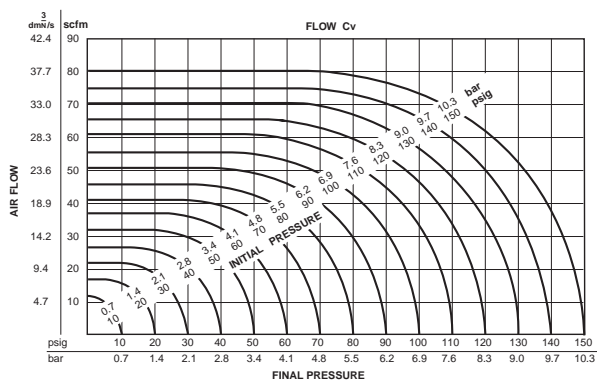
- 1/4" to 3/4" NPTF ports
- Standard operators listed. Consult factor for variations in orientation
- Standard 2 position 3-way and 4-way valves listed. Consult factory for 2-way and 3 position valves
- Corrosion resistant bronze body
- High flow brass spacers position o-ring, permit reverse piping and vacuum service
- Specially compounded o-rings suitable for non-lube air service and low pressure oil service
- Floating stem of hard chrome plated stainless steel; no metal to metal contact
- Closed at crossover design for air savings
- Piped exhaust convenient for muffling
- Interchangeable operators
- Interchangeable end sections
- Service without disturbing plumbing
- Dual mounting brackets on most models



Flow Cv ratings

Valve type	Port size	Port 1 to 2	Port 1 to 3	Port 2 to 3	Port 2 to 4	Port 3 to 4
3-way 2-position	1/4	2.4	—	2.4	—	—
	3/8	3.2	—	3.4	—	—
	1/2	5.0	—	5.1	—	—
4-way 2-position	1/4	2.4	2.4	—	2.0	2.2
	3/8	3.4	3.2	—	3.0	3.1
	1/2	5.2	5.3	—	4.7	4.7
	3/4	8.7	9.2	—	7.9	8.0

Flow Cv



Flow capacities

The capacity curves shown in the chart are for a theoretical valve having a Cv = 1.0 for air at standard conditions.

Flow rating determined in accordance with NFPA recommended standard NFPA/T3.21.3 - 1974.

Operating information

Pressure limitations

Knob (manual and spring return) and palm operators (manual and spring return)

Media	Port size	PSI (kPa)	
		3-way	4-way
Air and Hydraulic	1/4	200 (1380)	180 (1240)
	3/8	175 (1210)	170 (1170)
	1/2	160 (1100)	150 (1030)
	3/4	150 (1030)	150 (1030)
Vacuum	All	Within 1" Hg of perfect	
Other	Consult factory		

Pressure limitations

Knob (detent), lever, pedal, treadle, clevis, cam air operated diaphragm and cylinder

Media	Port size	PSI (kPa)	
		3-way	4-way
Air and Hydraulic	1/4	225 (1550)	225 (1550)
	3/8	225 (1550)	225 (1550)
	1/2	215 (1480)	215 (1480)
	3/4	200 (1380)	200 (1380)
Vacuum	All	Within 1" Hg of perfect	
Other	Consult factory		

Temperature range: -15°F to 200°F (-26° to 93°C)

Lubrication: For best results and service life use clean, moisture free lubricated air.

Material specifications

Body	High pressure valve bronze
Knobs and palm buttons	Anodized aluminum
Operators	Iron castings; steel rod, bar and tube, and plated for corrosion resistance
O-rings	Buna-N and impregnated with Molybdenum Disulfide
Spacers and end bearings	Brass bar stock
Springs	high quality steel and plated for corrosion resistance
Stem	Stainless steel and hard chrome plated

Warnings

- ⚠ Install guards on all hand operated valves if accidental operation can cause personal injury.
- ⚠ Foot operated valves must be protected against inadvertent operation that can cause serious bodily injury. Use of a guard is strongly recommended as it will reduce the likelihood of inadvertent operation.



For inventory, lead times, and kit lookup, visit [www.pdnplu.com](http://www.pdnplu.com)

Directair 2 & 4 Series

Viking Xtreme Lever Series

422 Lever / Pedal Series

MO Series

Safety



Manual / Mechanical Valves

Brass Poppet / Sliding Seal

Control Panel Products

Sensing

**MO Series Air Pilot, Manual & Mechanically Actuated Valves**

3-way and 4-way knob operated	Description	Part number 1/4 NPT	Part number 3/8 NPT	Part number 1/2 NPT	Part number 3/4 NPT
	3-way, detent ball, foot bracket	M05422448	M05432448	M05442448	M05462448
	3-way, detent ball, panel mount with nut	M05822451	M05832451	M05842451	M05862451
	3-way, N.C., manual, foot bracket	M08521848	M08531848	M08541848	M08561848
	3-way, N.C., manual, panel nut	M08521851	M08531851	M08541851	M08561851
	3-way, N.C., pull to operate, spring return, foot bracket	M09721848	M09731848	M09741848	M09761848
	3-way, N.C., pull to operate, spring return, panel mount with nut	M06421851	M06431851	M06441851	M06461851
	3-way, N.C., push to operate, spring return, foot bracket	M09821848	M09831848	M09841848	M09861848
	3-way, N.C., push to operate, spring return, panel mount with nut	M06521851	M06531851	M06541851	M06561851
	4-way, detent ball, foot bracket	M05425448	M05435448	M05445448	M05465448
	4-way, detent ball, panel mount with nut	M05825451	M05835451	M05845451	M05865451
	4-way, manual, foot bracket	M08524648	M08534648	M08544648	M08564648
	4-way, manual, panel nut	M08524651	M08534651	M08544651	M08564651
	4-way, pull to operate, spring return, foot bracket	M09724648	M09734648	M09744648	M09764648
	4-way, pull to operate, spring return, panel mount with nut	M06424651	M06434651	M06444651	M06464651
	4-way, push to operate, spring return, foot bracket	M09824648	M09834648	M09844648	M09864648
	4-way, push to operate, spring return, panel mount with nut	M06524651	M06534651	M06544651	M06564651
<b>3-way and 4-way palm button operated</b>					
	3-way, N.C., pull palm button to operate, spring return, panel mount with nut	M06421859	M06431859	M06441859	M06461859
	3-way, N.C., push palm button to operate, spring return, panel mount with nut	M06521859	M06531859	M06541859	M06561859
	4-way, pull palm button to operate, spring return panel mount with nut	M06424659	M06434659	M06444659	M06464659
	4-way, push palm button to operate, spring return, panel mount with nut	M06524659	M06534659	M06544659	M06564659
<b>3-way and 4-way lever operated</b>					
	3-way, detent ball, foot bracket	M05422443	M05432443	M05442443	M05462443
	3-way, manual, foot bracket	M08521843	M08531843	M08541843	M08561843
	3-way, N.C., pull lever to operate, spring return, foot bracket	M09621843	M09631843	M09641843	M09661843
	3-way, N.C., push lever to operate, spring return, foot bracket	M09521843	M09531843	M09541843	M09561843
	4-way, detent ball, foot bracket	M05425443	M05435443	M05445443	M05465443
	4-way, manual, foot bracket	M08524643	M08534643	M08544643	M08564643
	4-way, pull lever to operate, spring return, foot bracket	M09624643	M09634643	M09644643	M09664643
	4-way, push lever to operate, spring return, foot bracket	M09524643	M09534643	M09544643	M09564643

Most popular.



For inventory, lead time, and kit lookup, visit [www.pdnplu.com](http://www.pdnplu.com)

Directair 2  
& 4 Series

Viking Xtreme  
Lever Series

42 Lever/  
Pedal Series

MO Series

Safety



Manual / Mechanical  
Valves

Brass Poppet /  
Sliding Seal

Control Panel  
Products


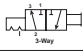
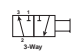
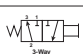


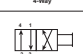

Sensing



**Common Part Numbers**


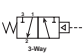


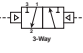

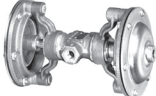
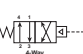


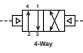

**MO Series**

**MO Series Air Pilot, Manual & Mechanically Actuated Valves**

3-way and 4-way, foot operated: treadle / pedal type	Description	Part number 1/4 NPT	Part number 3/8 NPT	Part number 1/2 NPT	Part number 3/4 NPT
	 3-way, treadle operated, detent ball, foot bracket	M05422488	M05432488	M05442488	—
	 3-way, treadle operated, manual return, foot bracket	M08521888	M08531888	M08541888	—
	 3-way, N.C., spring return, pedal operated, foot bracket	M06221840	M06231840	M06241840	—
	 4-way, treadle operated, detent ball, foot bracket	M05425488	M05435488	M05445488	—
	 4-way, treadle operated, manual return, foot bracket	M08524688	M08534688	M08544688	—
	 4-way, spring return, pedal operated, foot bracket	M06224640	M06234640	M06244640	—


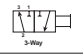
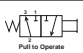
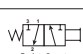
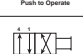



**CAUTION:** This valve shall not be used to actuate a punch press. Do not use this valve on punch presses or press brakes. See OSHA 1910.217.

**3-way and 4-way air operated : diaphragm or cylinder**

	 3-way, N.C., single air diaphragm, air signal to actuate, spring return foot bracket	M08421830	M08431830	M08441830	—
	 3-way, single air cylinder signal to actuate, spring return foot bracket	M08521826	M08531826	M08541826	M08561826
	 3-way, double air diaphragm	M03321833	M03331833	M03341833	—
	 3-way, double air cylinder foot bracket	M01921819	M01931819	M01941819	M01961819
	 4-way, single air diaphragm, air signal to actuate, spring return foot bracket	M08424630	M08434630	M08444630	—
	 4-way, single air cylinder signal to actuate, spring return foot bracket	M08524626	M08534626	M08544626	M08564626
	 4-way, double air diaphragm	M03324633	M03334633	M03344633	—
	 4-way, double air cylinder foot bracket	M01924619	M01934619	M01944619	M01964619

**Note:** diaphragm operators : pilot signal pressures from 20 to 60 psi. Cylinder operators : pilot signal pressures from 20 to 250 psi.

**3-way and 4-way clevis operated**

	 3-way, manual, foot bracket	M08521805	M08531805	M08541805	M08561805
	 3-way, N.C., pull to operate, spring return foot bracket	M09621805	M09631805	M09641805	M09661805
	 3-way, N.C., push to operate, spring return, foot bracket	M09521805	M09531805	M09541805	M09561805
	 4-way, manual, foot bracket	M08524605	M08534605	M08544605	M08564605
	 4-way, pull clevis to operate, spring return, foot bracket	M09624605	M09634605	M09644605	M09664605
	 4-way, push clevis to operate, spring return, foot bracket	M09524605	M09534605	M09544605	M09564605

**3-way and 4-way cam operated**

	 3-way, N.C., spring return, cam operated, foot bracket	M09521803	M09531803	M09541803	M09561803
	 4-way, spring return, cam operated, foot bracket	M09524603	M09534603	M09544603	M09564603

 Most popular.



For inventory, lead times, and kit lookup, visit [www.pdnplu.com](http://www.pdnplu.com)

Ordering Information

MO Series

MO Valve: 1/4", 3/8", 1/2" Port Size

**MO 85 3 18 48**

Valve Series	
Basic Series	MO

Left End Section	
Double Cylinder	19
Double Air Diaphragm	33
Ball Detent, Small Bracket	54
Ball Detent, Panel Mounted	58
Direct Acting Spring Return, Less Bracket (Push Lever)	62
Reverse Acting Spring Return, Less Bracket (Pull Lever)	63
Light Spring Return Direct Acting, Less Bracket (Pull Knob)	64
Light Spring Return Reverse Acting, Less Bracket (Push Knob)	65
Stem Stop, Large Bracket	84
Stem Stop, Small Bracket	85
Direct Acting Spring Return, Small Bracket (Push Lever)	95
Reverse Acting Spring Return, Small Bracket (Pull Lever)	96
Light Spring Return Direct Acting, Small Bracket (Pull Knob)	97
Light Spring Return Reverse Acting, Small Bracket (Push Knob)	98

Pipe Size	
NPT	Port Size
1/4	2
3/8	3
1/2	4

Operating End Section: Right End	
03	Cam Follower
05	Clevis, Small Bracket
19	Double Cylinder
26	Single Cylinder
30	Single Diaphragm, Std. Spring
33	Double Diaphragm
40	Pedal
43	Lever, Mounting Feet
48	Knob, Small Bracket
51	Knob, Panel Mounted
59	Palm Button, Panel Mounted
88	Treadle
99	Palm Button

Body / Function	
18	3-Way
24*	3-Way, 2-Position Detent
46	4-Way
54*	4-Way, 2-Position Detent

\* At least one end section must be coded 54.

MO Valve: 3/4" Port Size

**MO 85 6 18 48**

Valve Series	
Basic Series	MO

Left End Section	
Double Cylinder	19
Ball Detent, Small Bracket	54
Ball Detent, Panel Mounted	58
Direct Acting Spring Return, Less Bracket (Push Lever)	62
Reverse Acting Spring Return, Less Bracket (Pull Lever)	63
Light Spring Return Direct Acting, Less Bracket (Pull Knob)	64
Light Spring Return Reverse Acting, Less Bracket (Push Knob)	65
Stem Stop, Small Bracket	85
Direct Acting Spring Return, Small Bracket (Push Lever)	95
Reverse Acting Spring Return, Small Bracket (Pull Lever)	96
Light Spring Return Direct Acting, Small Bracket (Pull Knob)	97
Light Spring Return Reverse Acting, Small Bracket (Push Knob)	98

Pipe Size	
NPT	Port Size
3/4	6

Operating End Section: Right End	
03	Cam Follower
05	Clevis, Small Bracket
19	Double Cylinder
26	Single Cylinder
43	Lever, Mounting Feet
48	Knob, Small Bracket
51	Knob, Panel Mounted
59	Palm Button, Panel Mounted
99	Palm Button

Body / Function	
18	3-Way
24*	3-Way, 2-Position Detent
46	4-Way
54*	4-Way, 2-Position Detent

\* At least one end section must be coded 54.



**CAUTION:**

Be sure to order end sections that are functionally effective with each other and with the body section selected. Model number combinations are possible which may not operate.



For inventory, lead time, and kit lookup, visit [www.pdnplu.com](http://www.pdnplu.com)

Directair 2 & 4 Series

Viking Xtreme Lever Series

42 Lever / Pedal Series

MO Series

Safety



Manual / Mechanical Valves

Brass Poppet / Sliding Seal

Control Panel Products

Sensing

**Accessories**

**MO Series**

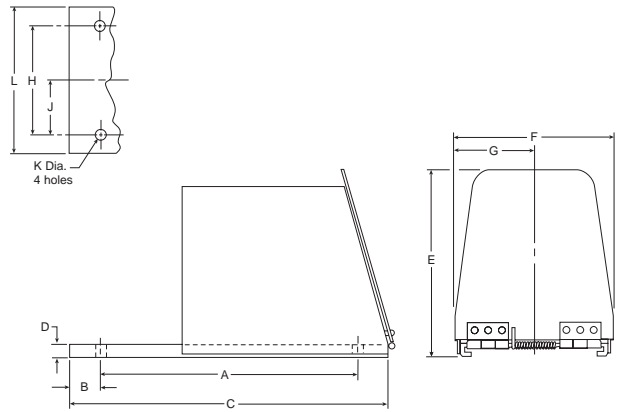
**Pedal Guard  
(Fits all pedal operated valves)**

Description	Model number
Guard with door	<b>M232001</b>
Guard without door	<b>M232002</b>
Guard with door for 1/4 and 3/8 valve	<b>M232003*</b>
Guard without door for 1/4 and 3/8 valve	<b>M232004*</b>
Guard with door for 1/2 and 3/4	<b>M232005*</b>
Guard without door for 1/2 and 3/4	<b>M232006*</b>

\* Includes mounting hardware.

**CAUTION:**

Foot valves utilizing this guard shall not be used to actuate a punch press.  
Do not use this valve on punch presses or press brakes.  
See OSHA 1910.217.



**Dimensions**

A	B	C	D	E	F	G
10.50	1.25	13.00	.50	7.38	6.36	3.18
266.7	31.8	330.2	12.7	187.4	161.5	80.8
H	J	K	L			
4.50	2.25	.44	6.00			
114.3	57.2	11.2	152.4			

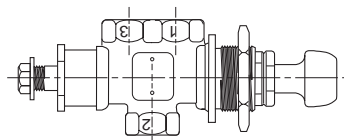
**MO valve 9 digit part number dissection**

The MO Valve Series has with wide variety of operating and return ends which can be ordered either on the left or right hand side of the valve body. Common part numbers on the previous pages can be ordered with the left and right hand ends swapped. Swapping operator and return end sections does not change the spool function, but can reverse the

expected function of the valve. For example, a 3-way, normally closed, "NC", spring return valve will become a 3-way normally open, "NO", valve when the operator and return section is swapped. There are other non-cataloged options available and this part number dissection will enable you to discuss your valve part number with the factory for options.

**3-way**

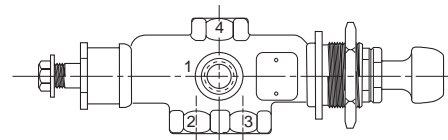
Series name	Left end	Port size	Body function	Right end
<b>MO</b>	<b>XX</b>	<b>X</b>	<b>XX</b>	<b>XX</b>



Left End Section in relation to port #2 ← → Right End Section in relation to port #2

**4-way**

Series name	Left end	Port size	Body function	Right end
<b>MO</b>	<b>XX</b>	<b>X</b>	<b>XX</b>	<b>XX</b>



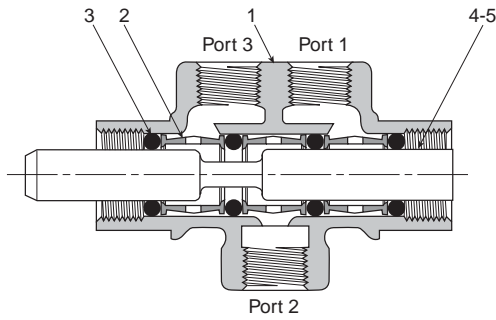
Left End Section in relation to port #2 ← → Right End Section in relation to port #3

Most popular.

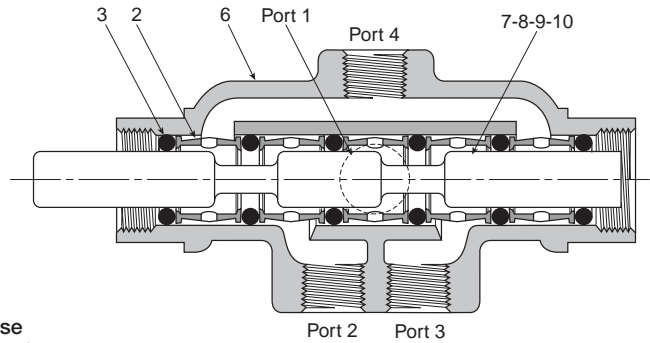


For inventory, lead times, and kit lookup, visit [www.pdnplu.com](http://www.pdnplu.com)

**Body Sections**



**M032\*18**  
**Standard 3-Way**  
**M032\*24**  
**2-Position Detent 3-Way**



**M032\*46**  
**Standard 4-Way**  
**M032\*54**  
**2-Position Detent 4-Way**

Port Size	Use No. *
1/4	2
3/8	3
1/2	4
3/4	6

Item No.	Part number				Description
	1/4"	3/8"	1/2"	3/4"	
1	M053007	M053019	M053030	M053038	Body – 3-Way
2	M313004	M313011	M313013	M313017	Spacer (2-3-5)
3	H13466	H13588	H13580	H13584	O-Ring (3-4-6)
4	M373014	M373060	M373102	M373142	Stem – 3-Way
5	M373020	M373064	M373103	M373146	Stem – 3-Way 2-Pos. Detent
6	M053003	M053020	M053033	M053039	Body – 4-Way
7	M373033	M373074	M373116	M373156	Stem – 4-Way
8	M373039	M373076	M373118	–	Stem – 4-Way 2-Pos. Detent

NOTE: ( ) denotes quantity required when more than one.

**Service Kits**

(Field service instructions)

Description (For all 3 & 4-way valves)	1/4	3/8	1/2	3/4
Manual & mechanical operators	M242001	M242002	M242003	M242004
Cylinder (single, double & double-acting)	M242006	M242007	M242008	M242009
Diaphragm (single & double)	M242011	M242012	M242013	M242014

**Replacement Knobs & Palm Buttons**



Knob & Adapter Kit      Palm Button & Adapter Kit

Description	1/4" & 3/8"	1/2"	3/4"
Knob & Adapter Kit	M122001	M122002	M122003
Palm Button & Adapter Kit	M122004	M122005	M122006

**Hex Drive Pipe Plugs**

Port size	1/4"	3/8"	1/2"	3/4"
Part number	K21R02025L	K21R02037L	K21R02050L	K21R02075L



For inventory, lead time, and kit lookup, visit [www.pdnplu.com](http://www.pdnplu.com)

Directair 2  
& 4 Series

Viking Xtreme  
Lever Series

42 Lever/  
Pedal Series

MO Series

Safety



Manual / Mechanical  
Valves

Brass Poppet /  
Sliding Seal

Control Panel  
Products

Sensing

Technical Data

Manual & Mechanical Operators

Directair 2  
& 4 Series

Viking Xtreme  
Lever Series

42 Lever /  
Pedal Series

MO Series

Safety

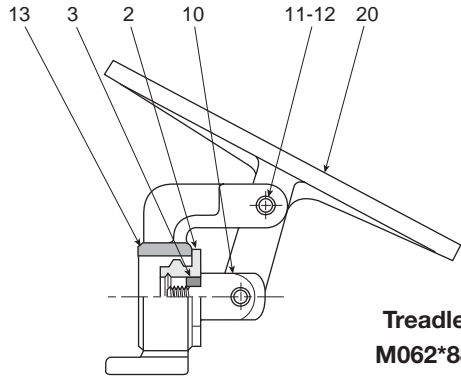


Manual / Mechanical  
Valves

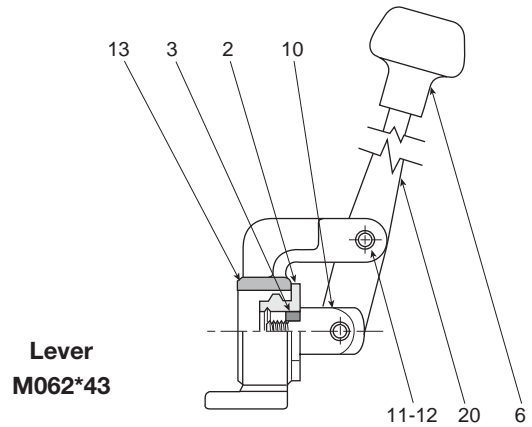
Brass Poppet /  
Sliding Seal

Control Panel  
Products

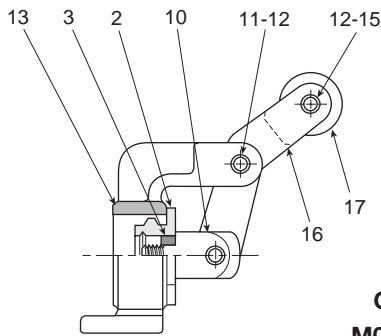
Sensing



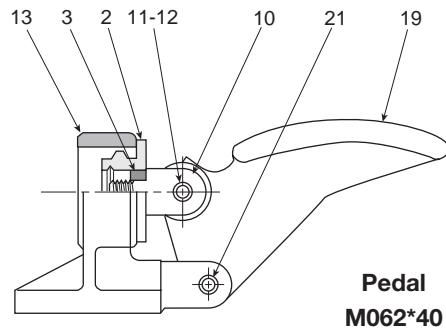
Treadle  
M062\*88



Lever  
M062\*43



Cam  
M062\*03



Pedal  
M062\*40

Port Size	Use No. *
1/4	2
3/8	3
1/2	4
3/4	6

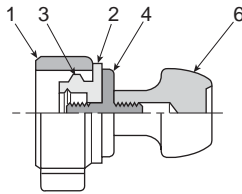
Item No.	Part number				Description
	1/4"	3/8"	1/2"	3/4"	
2	M103012	M103047	M103066	M103108	End Bearing
3	H17705	H17705	H17706	H17408	Lockwasher
6	H05028	H05028	H05028	H05028	Knob
10	M133003	M133003	M133012	M133018	Clevis
11	H07229	H07229	M333013	M333013	Pivot Pin (2)
12	—	—	H08903	H08903	Retaining Ring (4)
13	M073009	M073022	M073033	M073042	Bracket
14	M273022	M273022	M273023	M273024	Lever
15	—	H07230	M333016	M333016	Roller Trunnion
16	M273002	M273002	M273006	M273007	Cam Arm
17	M443003	M443003	M443002	M443002	Roller
19	M323005	M323005	M323006	M323007	Pedal
20	M553004	M553004	M553005	—	Treadle
21	H07229	H07229	M333013	M333014	Pivot Pin

NOTE: ( ) denotes quantity required when more than one.

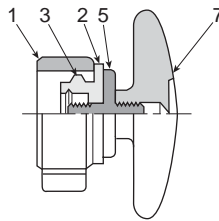


For inventory, lead times, and kit lookup, visit [www.pdnplu.com](http://www.pdnplu.com)

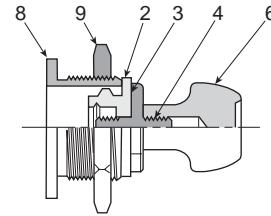
**Manual & Mechanical Operators**



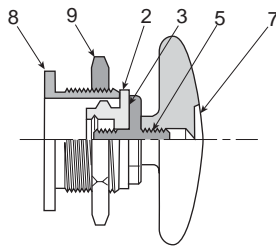
**Knob**  
**M062\*48**



**Palm Button**  
**M062\*99**

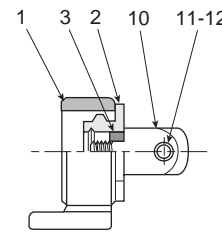


**Panel Mounted Knob**  
**M062\*51**



**Panel Mounted Palm Button**  
**M062\*59**

Port Size	Use No. *
1/4	2
3/8	3
1/2	4
3/4	6



**Clevis**  
**M062\*05**

Item No.	Part number				Description
	1/4"	3/8"	1/2"	3/4"	
1	<b>M073016</b>	<b>M073026</b>	<b>M073037</b>	<b>M073046</b>	Bracket
2	<b>M103012</b>	<b>M103047</b>	<b>M103066</b>	<b>M103108</b>	End Bearing
3	<b>H17705</b>	<b>H17705</b>	<b>H17706</b>	<b>H17408</b>	Lockwasher
4	<b>M013011</b>	<b>M013011</b>	<b>M013012</b>	<b>M013013</b>	Knob Adapter
5	<b>M013011</b>	<b>M013011</b>	<b>M013012</b>	<b>M013013</b>	Palm Knob Adapter
6	<b>H05028</b>	<b>H05028</b>	<b>H05028</b>	<b>H05028</b>	Knob
7	<b>H05029</b>	<b>H05029</b>	<b>H05029</b>	<b>H05029</b>	Palm Button
8	<b>M013014</b>	<b>M013015</b>	<b>M013016</b>	<b>M013017</b>	Panel Adapter
9	<b>M303005</b>	<b>M303006</b>	<b>M303007</b>	<b>M303008</b>	Jam Nut
10	<b>M133003</b>	<b>M133003</b>	<b>M133012</b>	<b>M133018</b>	Clevis
11	<b>H07229</b>	<b>H07229</b>	<b>M333013</b>	<b>M333013</b>	Pivot Pin (2)
12	—	—	<b>H08903</b>	<b>H08903</b>	Retaining Ring (4)

NOTE: ( ) denotes quantity required when more than one.



For inventory, lead time, and kit lookup, visit [www.pdnplu.com](http://www.pdnplu.com)

Directair 2 & 4 Series  
 Viking Xtreme Lever Series  
 42 Lever / Pedal Series  
 MO Series  
 Safety  
 Manual / Mechanical Valves  
 Brass Poppet / Sliding Seal  
 Control Panel Products  
 Sensing



**Technical Data**

**MO Series**

**Pneumatic Operators**

Directair 2  
& 4 Series

Viking Xtreme  
Lever Series

42 Lever /  
Pedal Series

MO Series

Safety

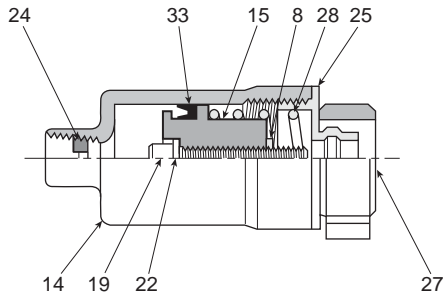


Manual / Mechanical  
Valves

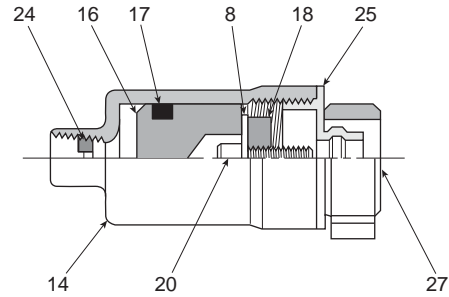
Brass Poppet /  
Sliding Seal

Control Panel  
Products

Sensing



**Single Cylinder  
M062\*26**



**Double Cylinder  
M062\*19**

Port Size	Use No. *
1/4	2
3/8	3
1/2	4
3/4	6

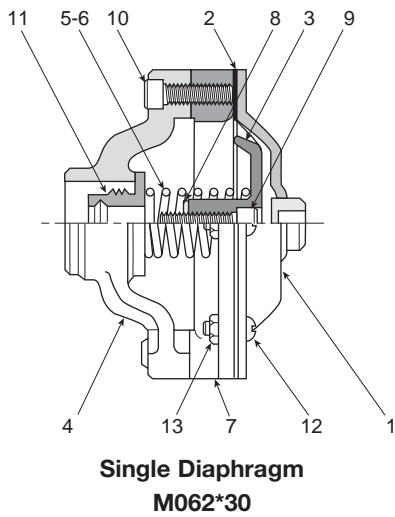
Item No.	Part number				Description
	1/4"	3/8"	1/2"	3/4"	
8	H17705	H17705	H17706	H17408	Lockwasher
14	M243028	M243028	M243028	M243036	Housing
15	M343019	M343019	M343018	M343027	Piston – Single Act.
16	M343022	M343022	M343022	M343028	Piston – Double Cyl.
17	H14515	H14515	H14515	H14520	Packer
18	M013005	M013005	M013007	M013009	Adapter
19	H10121	H10121	H10147	H10219	Screw – Single Act.
20	H10117	H10117	H10145	H10215	Screw – Double Act.
22	H17514	H17514	H17519	H17524	Lockwasher
24	M363002	M363002	M363002	M363002	Restrictor
25	M383007	M383011	M383018	M383029	Retainer
27	M073016	M073026	M073037	M073046	Bracket
28	M493015	M493015	M493015	M493020	Spring
33	H22232	H22232	H22232	H14520	Packer

NOTE: ( ) denotes quantity required when more than one.

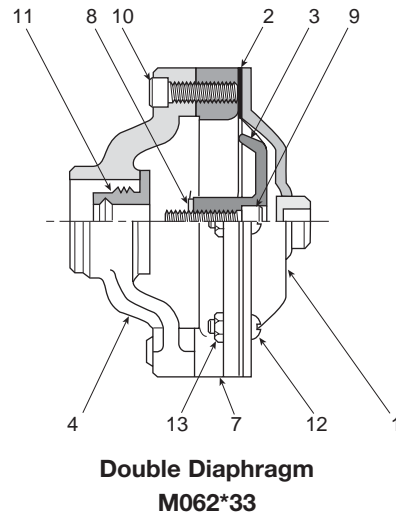


For inventory, lead times, and kit lookup, visit [www.pdnplu.com](http://www.pdnplu.com)

**Pneumatic Operators**



**Single Diaphragm  
M062\*30**



**Double Diaphragm  
M062\*33**

Port Size	Use No. *
1/4	2
3/8	3
1/2	4
3/4	6

Item No.	Part number				Description
	1/4"	3/8"	1/2"	3/4"	
1	M163005	M163005	M163005	M163012	Cover
2	M193002	M193002	M193002	M193005	Diaphragm
3	M343038	M343038	M343032	M343039	Piston
4	M573004	M573003	M573001	M573011	Yoke
5	M493024	M493024	M493010	M493023	Spring
6	M493022	M493022	M493009	—	Spring (Inst. Air)
7	M423002	M423002	M423002	M423004	Ring
8	H17705	H17705	H17706	H17408	Lockwasher
9	H10119	H10119	H10145	H10217	Screw
10	H10115	H10115	H10115	H10115	Screw (2)
11	M103012	M103047	M103066	M103108	End Bearing
12	H11333	H11333	H11333	H11333	Screw (6)
13	H06416	H06416	H06416	H06416	Nut (6)

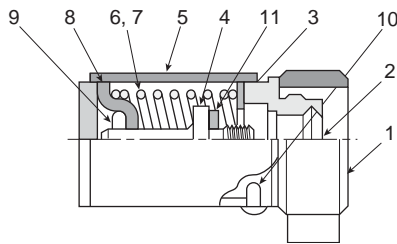
NOTE: ( ) denotes quantity required when more than one.



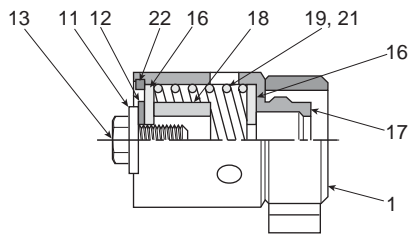
For inventory, lead time, and kit lookup, visit [www.pdnplu.com](http://www.pdnplu.com)

Directair 2 & 4 Series
Viking Xtreme Lever Series
42 Lever / Pedal Series
MO Series
Safety
<b>M</b>
Manual / Mechanical Valves
Brass Poppet / Sliding Seal
Control Panel Products
Sensing

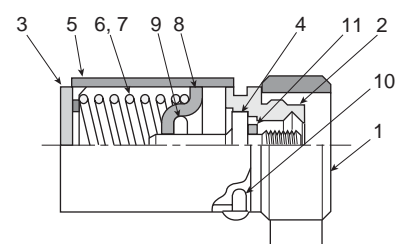
**End Sections**



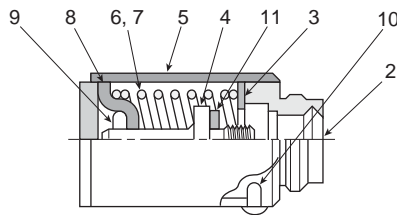
**Direct Acting Spring Return with Bracket**  
**M062\*95 Push Lever**  
**M062\*97 Pull Knob**



**Spring Centered Neutral**  
**M062\*74 Standard Spring**  
**M062\*78 Heavy Spring**

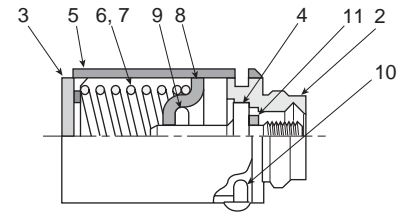


**Reverse Acting Spring Return with Bracket**  
**M062\*96 Pull Lever**  
**M062\*98 Push Knob**



**Direct Acting Spring Return Less Bracket**  
**M062\*62 Push Lever**  
**M062\*64 Pull Knob**

Port Size	Use No. *
1/4	2
3/8	3
1/2	4
3/4	6



**Reverse Acting Spring Return Less Bracket**  
**M062\*63 Pull Lever**  
**M062\*65 Push Knob**

Item No.	Part number				Description
	1/4"	3/8"	1/2"	3/4"	
1	M073016	M073026	M073037	M073046	Bracket
2	M103111	M103112	M103113	M103114	End Bearing
3	M413015	M413015	M413016	M413017	Spring Retainer Washer
4	M523009	M523009	M523010	M523011	Stem Stop – Guide
5	M243043	M243043	M243044	M243045	Spring Housing
6	M493037	M493037	M493027	M493026	Spring – Knob Oper.
7	M493038	M493038	M493011	M493012	Spring – Other Oper.
8	M383032	M383032	M383033	M383034	Spring Retainer
9	H07254	H07254	H07270	H07271	Roll Pin
10	H11215	H11215	H11216	H11217	Screw
11	H17705	H17705	H17706	H17408	Lockwasher
12	M563002	M563002	M563006	M563014	Stem Stop
13	H09626	H09626	H09645	H09706	Stem Stop Screw
16	M563007	M563009	M563008	M563016	Washer
17	M243008	M243019	M243027	M243032	Spring Housing
18	M083003	M083004	M083005	M083008	Spacer
19	M493008	M493008	M493008	M493014	Spring
21	M493006	M493006	M493006	M493007	Spring – Dbl. Act. Cyl.
22	H09025	H09025	H09025	H09012	Retainer Ring

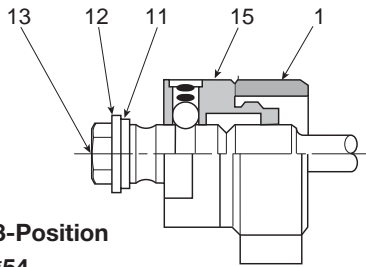
NOTE: ( ) denotes quantity required when more than one.



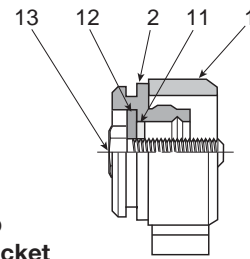
For inventory, lead times, and kit lookup, visit [www.pdnplu.com](http://www.pdnplu.com)

Directair 2 & 4 Series  
 Viking Xtreme Lever Series  
 42 Lever / Pedal Series  
 MO Series  
 Safety  
 Manual / Mechanical Valves  
 Brass Poppet / Sliding Seal  
 Control Panel Products  
 Sensing

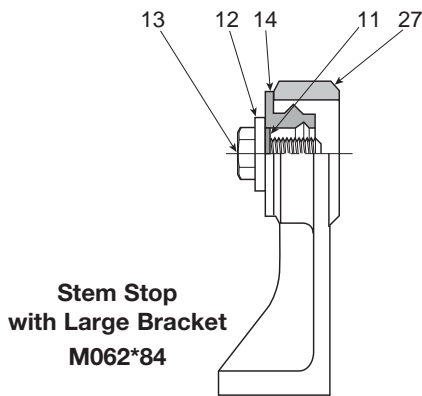
**End Sections**



**Ball Detent, 3-Position  
M062\*54**



**Stem Stop  
with Small Bracket  
M062\*85**



**Stem Stop  
with Large Bracket  
M062\*84**

Port Size	Use No. *
1/4	2
3/8	3
1/2	4
3/4	6

Item No.	Part number				Description
	1/4"	3/8"	1/2"	3/4"	
1	M073016	M073026	M073037	M073046	Bracket
2	M103111	M103112	M103113	M103114	End Bearing
11	H17705	H17705	H17706	H17408	Lockwasher
12	M563002	M563002	M563006	M563014	Stem Stop
13	H09626	H09626	H09645	H09706	Stem Stop Screw
14	M103012	M103047	M103066	M103108	End Bearing – Plain
15	M012001	M012002	M012003	M012005	Ball Detent Assembly
27	M073006	M073017	M073028	—	Large Bracket

NOTE: ( ) denotes quantity required when more than one.

Directair 2  
& 4 Series

Viking Xtreme  
Lever Series

42 Lever/  
Pedal Series

MO Series

Safety



Manual / Mechanical  
Valves

Brass Poppet /  
Sliding Seal

Control Panel  
Products

Sensing



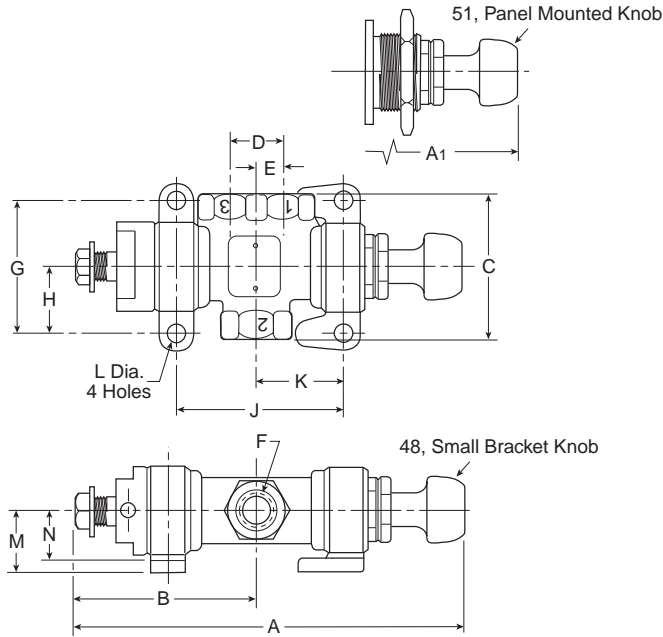
For inventory, lead time, and kit lookup, visit [www.pdnplu.com](http://www.pdnplu.com)

**Dimensional Data**

**Knob Operated, 2-Position Detent, Ball Detent**

**M054 Ball Detent, Small Bracket & M058 Ball Detent, Panel Mounted**

**3-Way**

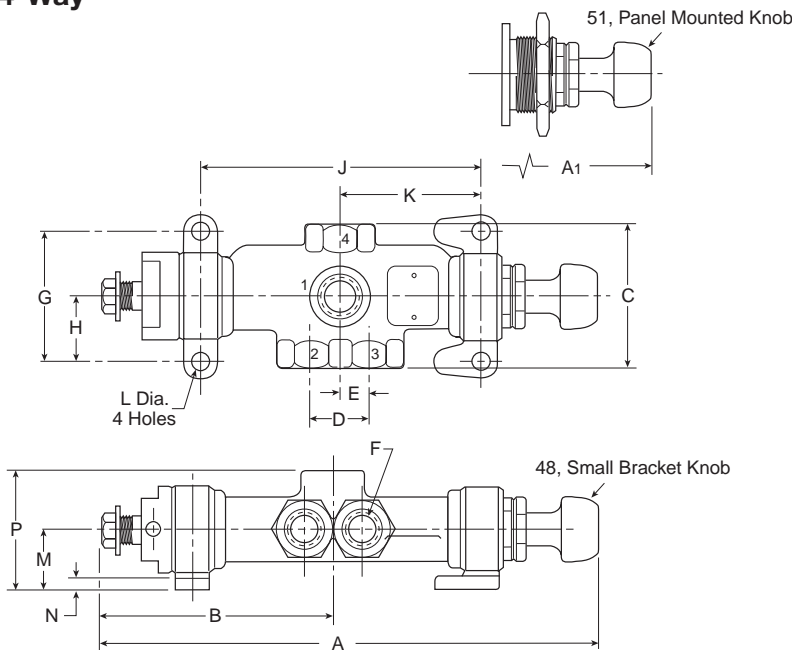


	1/4	3/8	1/2	3/4
A	6.57 (166.9)	7.30 (185.4)	8.56 (217.4)	10.40 (264.2)
A1	6.57 (166.9)	7.30 (185.4)	8.56 (217.4)	10.40 (264.2)
B	3.25 (82.6)	3.66 (93.0)	4.39 (111.5)	5.41 (137.4)
C	2.38 (60.4)	2.62 (66.6)	3.00 (76.2)	3.62 (92.0)
D	.94 (23.9)	1.06 (26.9)	1.25 (31.8)	1.62 (41.2)
E	.47 (11.9)	.53 (13.5)	.62 (15.8)	.81 (20.6)
F	1/4" Pipe	3/8" Pipe	1/2" Pipe	3/4" Pipe
G	2.25 (57.2)	2.38 (60.4)	2.62 (66.6)	3.25 (82.6)
H	1.12 (28.4)	1.19 (30.2)	1.31 (33.3)	1.62 (41.2)
J	2.63 (66.8)	3.13 (79.5)	3.72 (94.5)	4.56 (115.8)
K	1.31 (33.3)	1.56 (39.6)	1.86 (47.2)	2.28 (57.9)
L	.34 (8.6)	.34 (8.6)	.41 (10.4)	.41 (10.4)
M	1.12 (28.4)	1.12 (28.4)	1.25 (31.8)	1.56 (39.6)
N	.25 (6.4)	.25 (6.4)	.31 (7.9)	.31 (7.9)

Inches (mm)

**M054 Ball Detent, Small Bracket & M058 Ball Detent, Panel Mounted**

**4-Way**



	1/4	3/8	1/2	3/4
A	8.02 (203.7)	9.13 (231.9)	11.17 (283.7)	13.10 (332.7)
A1	8.02 (203.7)	9.13 (231.9)	11.17 (283.7)	13.10 (332.7)
B	4.00 (101.6)	4.57 (116.1)	5.44 (138.2)	6.76 (171.7)
C	2.38 (60.4)	2.62 (66.6)	3.00 (76.2)	3.62 (92.0)
D	.94 (23.9)	1.06 (26.9)	1.25 (31.8)	1.62 (41.2)
E	.47 (11.9)	.53 (13.5)	.62 (15.8)	.81 (20.6)
F	1/4" Pipe	3/8" Pipe	1/2" Pipe	3/4" Pipe
G	2.25 (57.2)	2.38 (60.4)	2.62 (66.6)	3.25 (82.6)
H	1.12 (28.4)	1.19 (30.2)	1.31 (33.3)	1.62 (41.2)
J	4.14 (105.2)	4.98 (126.5)	5.85 (148.6)	7.39 (187.7)
K	2.07 (52.6)	2.49 (63.2)	2.92 (74.2)	3.69 (93.7)
L	.34 (8.6)	.34 (8.6)	.41 (10.4)	.41 (10.4)
M	1.12 (28.4)	1.12 (28.4)	1.25 (31.8)	1.56 (39.6)
N	.25 (6.4)	.25 (6.4)	.31 (7.9)	.31 (7.9)
P	2.12 (53.8)	2.18 (55.4)	2.63 (66.8)	3.06 (77.7)

Inches (mm)

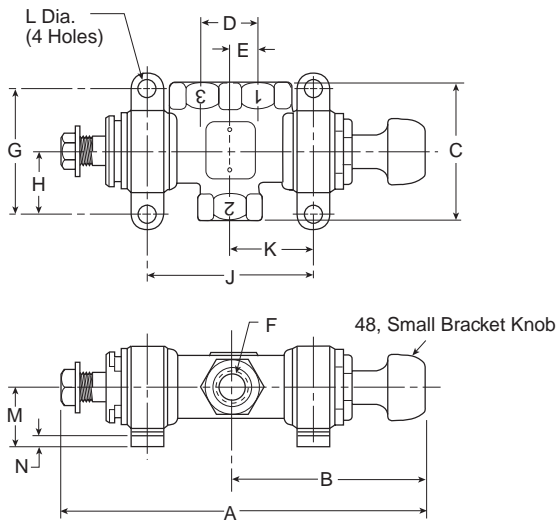


For inventory, lead times, and kit lookup, visit [www.pdnplu.com](http://www.pdnplu.com)

**Knob Operated, Manual Return, Stem Stop**

**M085 Stem Stop, Small Bracket**

**3-Way**

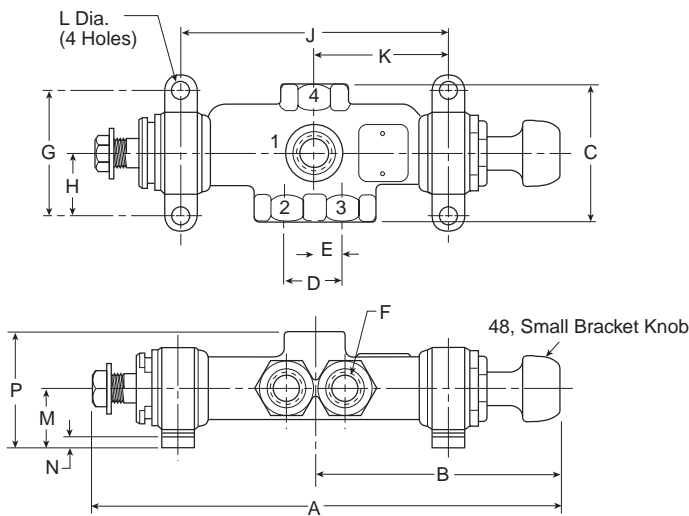


	1/4	3/8	1/2	3/4
<b>A</b>	5.99 (152.2)	6.69 (169.9)	7.90 (200.7)	9.60 (243.8)
<b>B</b>	3.32 (84.3)	3.64 (92.5)	4.17 (105.9)	4.99 (126.8)
<b>C</b>	2.38 (60.4)	2.62 (66.6)	3.00 (76.2)	3.62 (92.0)
<b>D</b>	0.94 (23.9)	1.06 (26.9)	1.25 (31.8)	1.62 (41.2)
<b>E</b>	0.47 (11.9)	0.53 (13.5)	0.62 (15.8)	0.81 (20.6)
<b>F</b>	1/4" Pipe	3/8" Pipe	1/2" Pipe	3/4" Pipe
<b>G</b>	2.25 (57.2)	2.38 (60.4)	2.62 (66.6)	3.25 (82.6)
<b>H</b>	1.12 (28.4)	1.19 (30.2)	1.31 (33.3)	1.62 (41.2)
<b>J</b>	2.64 (67.1)	3.14 (79.8)	3.73 (94.7)	4.67 (118.6)
<b>K</b>	1.32 (33.5)	1.57 (39.9)	1.87 (47.5)	2.33 (59.2)
<b>L</b>	0.34 (8.6)	0.34 (8.6)	0.41 (10.4)	0.41 (10.4)
<b>M</b>	1.12 (28.4)	1.12 (28.4)	1.25 (31.8)	1.56 (39.6)
<b>N</b>	0.25 (6.4)	0.25 (6.4)	0.31 (7.9)	0.31 (7.9)
<b>Travel</b>	0.62 (15.7)	0.69 (17.5)	0.88 (22.4)	1.12 (28.4)

Inches (mm)

**M085 Stem Stop, Small Bracket**

**4-Way**



	1/4	3/8	1/2	3/4
<b>A</b>	7.49 (190.2)	8.53 (216.7)	10.01 (254.2)	12.31 (312.7)
<b>B</b>	4.02 (102.1)	4.56 (115.8)	5.73 (145.5)	6.34 (161.0)
<b>C</b>	2.38 (60.4)	2.62 (66.6)	3.12 (79.2)	3.62 (92.0)
<b>D</b>	0.94 (23.9)	1.06 (26.9)	1.25 (31.8)	1.62 (41.2)
<b>E</b>	0.47 (11.9)	0.53 (13.5)	0.62 (15.8)	0.81 (20.6)
<b>F</b>	1/4" Pipe	3/8" Pipe	1/2" Pipe	3/4" Pipe
<b>G</b>	2.25 (57.2)	2.38 (60.4)	2.62 (66.6)	3.25 (82.6)
<b>H</b>	1.12 (28.4)	1.19 (30.2)	1.31 (33.3)	1.62 (41.2)
<b>J</b>	4.14 (105.2)	4.98 (126.5)	5.85 (148.6)	7.39 (187.7)
<b>K</b>	2.07 (52.6)	2.49 (63.2)	2.93 (74.4)	3.69 (93.7)
<b>L</b>	0.34 (8.6)	0.34 (8.6)	0.41 (10.4)	0.41 (10.4)
<b>M</b>	1.12 (28.4)	1.12 (28.4)	1.25 (31.8)	1.56 (39.6)
<b>N</b>	0.25 (6.4)	0.25 (6.4)	0.31 (7.9)	0.31 (7.9)
<b>P</b>	2.12 (53.8)	2.18 (55.4)	2.63 (66.8)	3.06 (77.7)
<b>Travel</b>	0.62 (15.7)	0.69 (17.5)	0.88 (22.4)	1.12 (28.4)

Inches (mm)



For inventory, lead time, and kit lookup, visit [www.pdnplu.com](http://www.pdnplu.com)

Directair 2  
& 4 Series

Viking Xtreme  
Lever Series

42 Lever/  
Pedal Series

MO Series

Safety



Manual / Mechanical  
Valves

Brass Poppet /  
Sliding Seal

Control Panel  
Products

Sensing



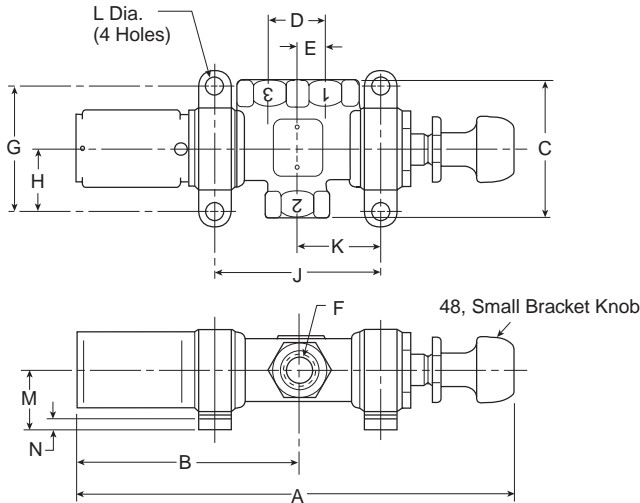
**Dimensional Data**

**MO Series**

**Knob & Palm Button Operated, Light Spring Return**

**M097 Light Spring Return Direct Acting, Small Bracket (Pull Knob)**

**3-Way**

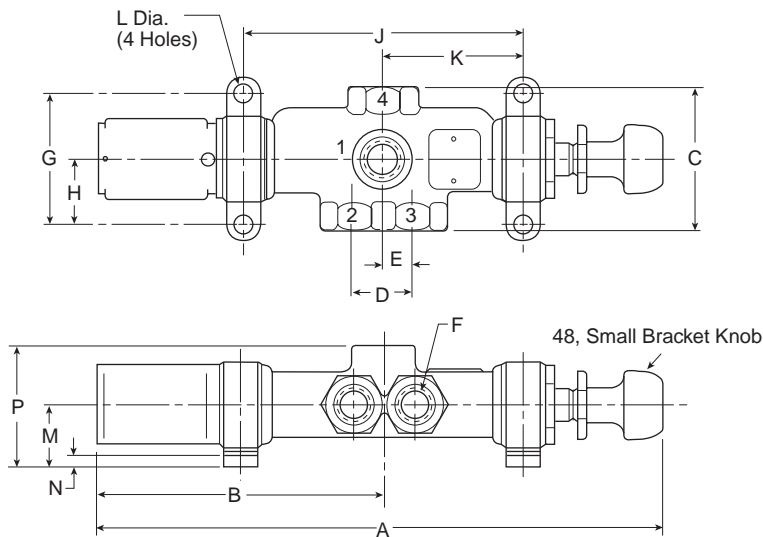


	1/4	3/8	1/2	3/4
A	7.86 (199.8)	8.55 (217.2)	10.36 (263.1)	13.01 (330.4)
B	3.92 (99.6)	4.24 (107.7)	5.32 (135.2)	6.92 (175.8)
C	2.38 (60.4)	2.62 (66.6)	3.00 (76.2)	3.62 (92.0)
D	0.94 (23.9)	1.06 (26.9)	1.25 (31.8)	1.62 (41.2)
E	0.47 (11.9)	0.53 (13.5)	0.62 (15.8)	0.81 (20.6)
F	1/4" Pipe	3/8" Pipe	1/2" Pipe	3/4" Pipe
G	2.25 (57.2)	2.38 (60.4)	2.62 (66.6)	3.25 (82.6)
H	1.12 (28.4)	1.19 (30.2)	1.31 (33.3)	1.62 (41.2)
J	2.64 (67.1)	3.14 (79.8)	3.73 (94.7)	4.67 (118.6)
K	1.32 (33.5)	1.57 (39.9)	1.87 (47.5)	2.33 (59.2)
L	0.34 (8.6)	0.34 (8.6)	0.41 (10.4)	0.41 (10.4)
M	1.12 (28.4)	1.12 (28.4)	1.25 (31.8)	1.56 (39.6)
N	0.25 (6.4)	0.25 (6.4)	0.31 (7.9)	0.31 (7.9)
Travel	0.62 (15.7)	0.69 (17.5)	0.88 (22.4)	1.12 (28.4)

Inches (mm)

**M097 Light Spring Return Direct Acting, Small Bracket (Pull Knob)**

**4-Way**



	1/4	3/8	1/2	3/4
A	9.36 (237.9)	10.39 (263.9)	12.48 (317.0)	15.73 (399.5)
B	4.67 (118.5)	5.15 (130.8)	6.37 (161.8)	8.27 (210.1)
C	2.38 (60.4)	2.62 (66.6)	3.12 (79.2)	3.62 (92.0)
D	0.94 (23.9)	1.06 (26.9)	1.25 (31.8)	1.62 (41.2)
E	0.47 (11.9)	0.53 (13.5)	0.62 (15.8)	0.81 (20.6)
F	1/4" Pipe	3/8" Pipe	1/2" Pipe	3/4" Pipe
G	2.25 (57.2)	2.38 (60.4)	2.62 (66.6)	3.25 (82.6)
H	1.12 (28.4)	1.19 (30.2)	1.31 (33.3)	1.62 (41.2)
J	4.14 (105.2)	4.98 (126.5)	5.85 (148.6)	7.39 (187.7)
K	2.07 (52.6)	2.49 (63.2)	2.93 (74.4)	3.69 (93.7)
L	0.34 (8.6)	0.34 (8.6)	0.41 (10.4)	0.41 (10.4)
M	1.12 (28.4)	1.12 (28.4)	1.25 (31.8)	1.56 (39.6)
N	0.25 (6.4)	0.25 (6.4)	0.31 (7.9)	0.31 (7.9)
P	2.12 (53.8)	2.18 (55.4)	2.63 (66.8)	3.06 (77.7)
Travel	0.62 (15.7)	0.69 (17.5)	0.88 (22.4)	1.12 (28.4)

Inches (mm)

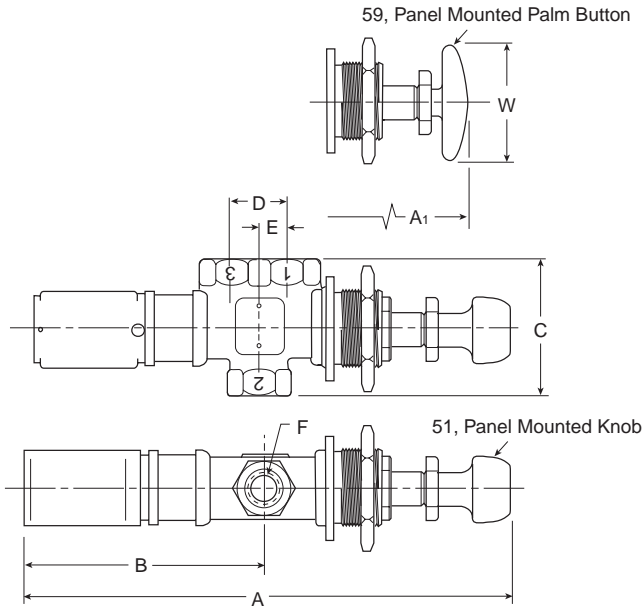


For inventory, lead times, and kit lookup, visit [www.pdnplu.com](http://www.pdnplu.com)

**Panel Mounted, Knob & Button Operated,  
 Light Spring Return**

**M064 Direct Acting, Less Bracket (Pull Knob) &  
 M065 Reverse Acting, Less Bracket (Push Knob)**

**3-Way**

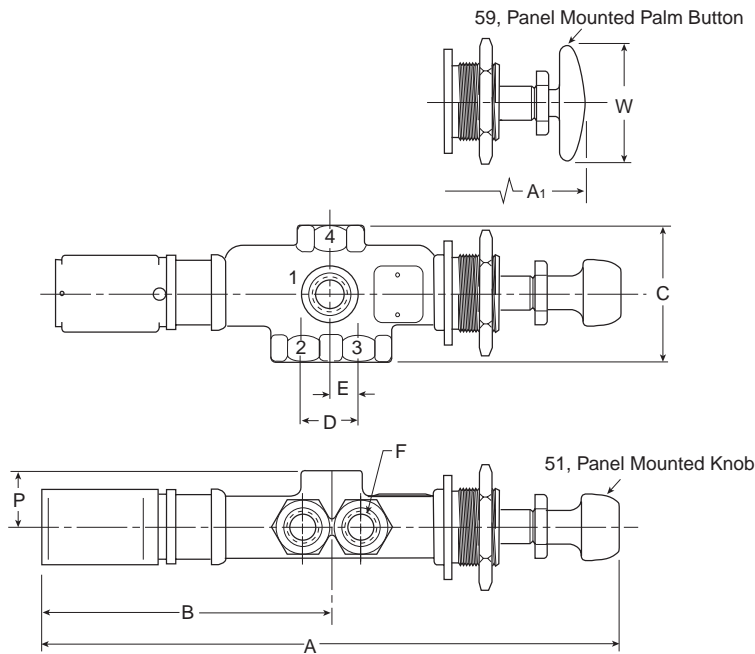


	1/4	3/8	1/2	3/4
<b>A</b>	7.86 (199.6)	8.55 (217.1)	10.36 (263.1)	13.01 (330.4)
<b>A1</b>	7.55 (191.8)	8.24 (209.3)	10.05 (255.3)	12.70 (322.6)
<b>B</b>	3.96 (99.5)	4.23 (107.4)	5.31 (134.9)	6.91 (175.5)
<b>C</b>	2.38 (60.4)	2.62 (66.6)	3.00 (76.2)	3.62 (92.0)
<b>D</b>	0.94 (23.9)	1.06 (26.9)	1.25 (31.8)	1.62 (41.2)
<b>E</b>	0.47 (11.9)	0.53 (13.5)	0.62 (15.8)	0.81 (20.6)
<b>F</b>	1/4" Pipe	3/8" Pipe	1/2" Pipe	3/4" Pipe
<b>W</b>	2.25 (57.2)	2.25 (57.2)	2.25 (57.2)	2.25 (57.2)
<b>Travel</b>	0.62 (15.7)	0.69 (17.5)	0.88 (22.4)	1.12 (28.4)

Inches (mm)

**M064 Direct Acting, Less Bracket (Pull Knob) &  
 M065 Reverse Acting, Less Bracket (Push Knob)**

**4-Way**



	1/4	3/8	1/2	3/4
<b>A</b>	9.36 (237.7)	10.39 (263.9)	12.48 (317.0)	15.73 (399.5)
<b>A1</b>	9.05 (229.9)	10.08 (256.0)	12.17 (309.1)	15.42 (391.7)
<b>B</b>	4.67 (118.5)	5.15 (130.8)	6.37 (161.8)	8.27 (210.1)
<b>C</b>	2.38 (60.4)	2.62 (66.6)	3.12 (79.2)	3.62 (92.0)
<b>D</b>	0.94 (23.9)	1.06 (26.9)	1.25 (31.8)	1.62 (41.2)
<b>E</b>	0.47 (11.9)	0.53 (13.5)	0.62 (15.8)	0.81 (20.6)
<b>F</b>	1/4" Pipe	3/8" Pipe	1/2" Pipe	3/4" Pipe
<b>P</b>	2.12 (53.8)	2.18 (55.4)	2.63 (66.8)	3.06 (77.7)
<b>W</b>	2.25 (57.2)	2.25 (57.2)	2.25 (57.2)	2.25 (57.2)
<b>Travel</b>	0.62 (15.7)	0.69 (17.5)	0.88 (22.4)	1.12 (28.4)

Inches (mm)



For inventory, lead time, and kit lookup, visit [www.pdnplu.com](http://www.pdnplu.com)

Directair 2  
& 4 Series

Viking Xtreme  
Lever Series

42 Lever/  
Pedal Series

MO Series

Safety



Manual / Mechanical  
Valves

Brass Poppet /  
Sliding Seal

Control Panel  
Products

Sensing

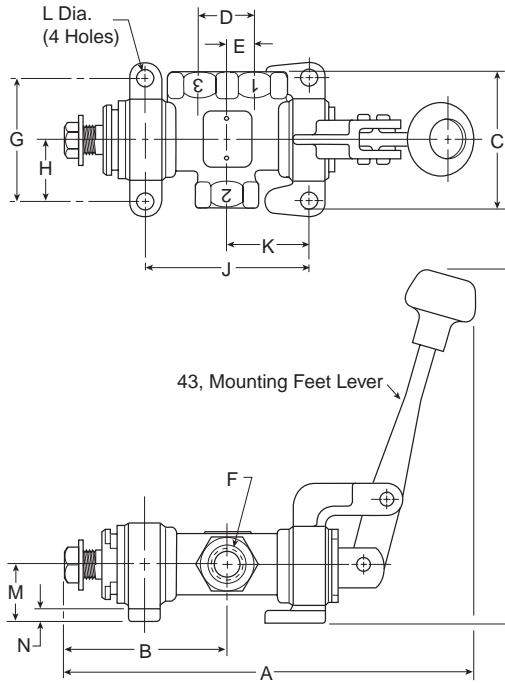
**Dimensional Data**

**MO Series**

**Lever Operated, Manual Return, Stem Stop**

**M085 Stem Stop, Small Bracket**

**3-Way**

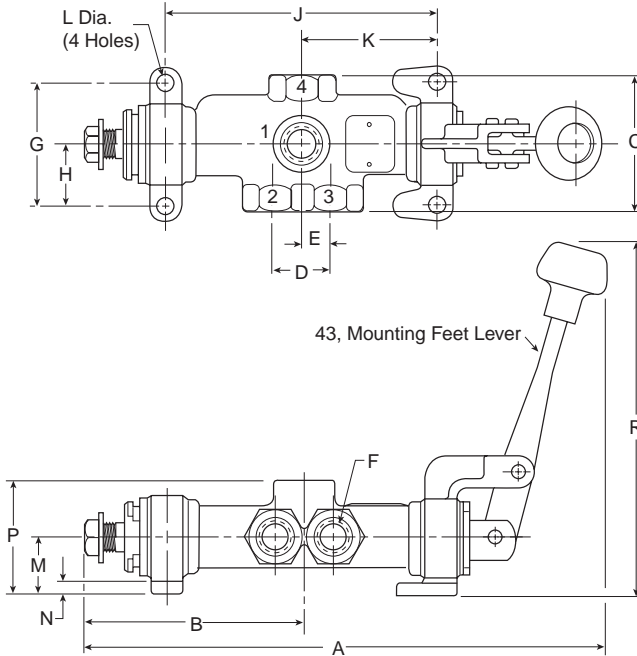


	1/4	3/8	1/2	3/4
A	6.77 (172.0)	7.76 (197.1)	9.29 (236.0)	11.46 (291.1)
B	2.67 (67.8)	3.05 (77.5)	3.72 (94.5)	4.61 (117.1)
C	2.38 (60.4)	2.62 (66.6)	3.00 (76.2)	3.62 (92.0)
D	0.94 (23.9)	1.06 (26.9)	1.25 (31.8)	1.62 (41.2)
E	0.47 (11.9)	0.53 (13.5)	0.62 (15.8)	0.81 (20.6)
F	1/4" Pipe	3/8" Pipe	1/2" Pipe	3/4" Pipe
G	2.25 (57.2)	2.38 (60.4)	2.62 (66.6)	3.25 (82.6)
H	1.12 (28.4)	1.19 (30.2)	1.31 (33.3)	1.62 (41.2)
J	2.63 (66.8)	3.13 (79.5)	3.72 (94.5)	4.56 (115.8)
K	1.31 (33.3)	1.56 (39.6)	1.86 (47.2)	2.28 (57.9)
L	0.34 (8.6)	0.34 (8.6)	0.41 (10.4)	0.41 (10.4)
M	1.12 (28.4)	1.12 (28.4)	1.25 (31.8)	1.56 (39.6)
N	0.25 (6.4)	0.25 (6.4)	0.31 (7.9)	0.31 (7.9)
R	6.78 (172.2)	6.78 (172.2)	8.10 (205.7)	10.73 (272.5)
Travel	0.62 (15.7)	0.69 (17.5)	0.88 (22.4)	1.12 (28.4)

Inches (mm)

**M085 Stem Stop, Small Bracket**

**4-Way**



	1/4	3/8	1/2	3/4
A	8.28 (210.3)	9.60 (243.8)	11.08 (281.4)	14.17 (359.9)
B	3.42 (86.9)	3.97 (100.8)	4.78 (121.4)	5.97 (151.6)
C	2.38 (60.4)	2.62 (66.6)	3.12 (79.2)	3.62 (92.0)
D	0.94 (23.9)	1.06 (26.9)	1.25 (31.8)	1.62 (41.2)
E	0.47 (11.9)	0.53 (13.5)	0.62 (15.8)	0.81 (20.6)
F	1/4" Pipe	3/8" Pipe	1/2" Pipe	3/4" Pipe
G	2.25 (57.2)	2.38 (60.4)	2.62 (66.6)	3.25 (82.6)
H	1.12 (28.4)	1.19 (30.2)	1.31 (33.3)	1.62 (41.2)
J	4.14 (105.2)	4.98 (126.5)	5.85 (148.6)	7.39 (187.7)
K	2.07 (52.6)	2.49 (63.2)	2.92 (74.2)	3.69 (93.7)
L	0.34 (8.6)	0.34 (8.6)	0.41 (10.4)	0.41 (10.4)
M	1.12 (28.4)	1.12 (28.4)	1.25 (31.8)	1.56 (39.6)
N	0.25 (6.4)	0.25 (6.4)	0.31 (7.9)	0.31 (7.9)
P	2.12 (53.8)	2.18 (55.4)	2.63 (66.8)	3.06 (77.7)
R	6.78 (172.2)	6.78 (172.2)	8.10 (205.7)	10.73 (272.5)
Travel	0.62 (15.7)	0.69 (17.5)	0.88 (22.4)	1.12 (28.4)

Inches (mm)



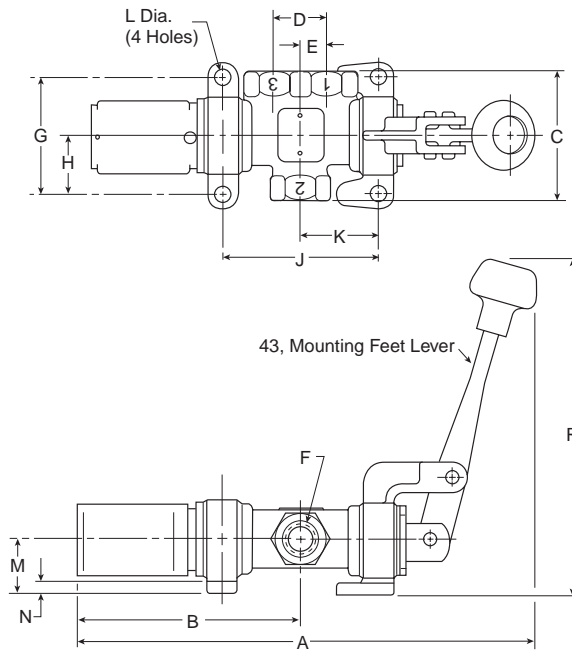
For inventory, lead times, and kit lookup, visit [www.pdnplu.com](http://www.pdnplu.com)

Directair 2 & 4 Series  
Viking Xtreme Lever Series  
42 Lever / Pedal Series  
MO Series  
Safety  
Manual / Mechanical Valves  
Brass Poppet / Sliding Seal  
Control Panel Products  
Sensing

**Lever Operated, Spring Return**

**M095 Direct Acting, Small Bracket (Push Lever) & M096 Reverse Acting, Small Bracket (Pull Lever)**

**3-Way**

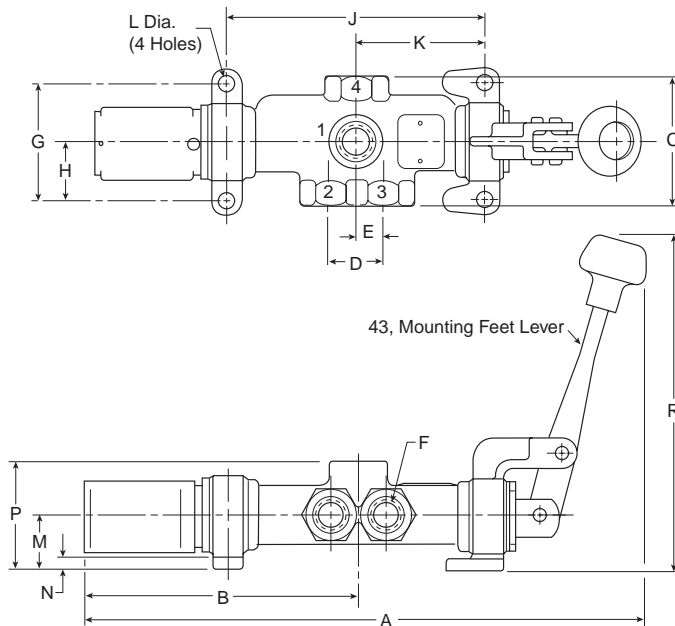


	1/4	3/8	1/2	3/4
A	7.99 (202.8)	8.94 (227.0)	10.88 (276.4)	13.76 (349.5)
B	3.92 (99.5)	4.24 (107.6)	5.31 (134.9)	6.92 (175.8)
C	2.38 (60.4)	2.62 (66.6)	3.00 (76.2)	3.62 (92.0)
D	0.94 (23.9)	1.06 (26.9)	1.25 (31.8)	1.62 (41.2)
E	0.47 (11.9)	0.53 (13.5)	0.62 (15.8)	0.81 (20.6)
F	1/4" Pipe	3/8" Pipe	1/2" Pipe	3/4" Pipe
G	2.25 (57.2)	2.38 (60.4)	2.62 (66.6)	3.25 (82.6)
H	1.12 (28.4)	1.19 (30.2)	1.31 (33.3)	1.62 (41.2)
J	2.63 (66.8)	3.13 (79.5)	3.72 (94.5)	4.56 (115.8)
K	1.31 (33.3)	1.56 (39.6)	1.86 (47.2)	2.28 (57.9)
L	0.34 (8.6)	0.34 (8.6)	0.41 (10.4)	0.41 (10.4)
M	1.12 (28.4)	1.12 (28.4)	1.25 (31.8)	1.56 (39.6)
N	0.25 (6.4)	0.25 (6.4)	0.31 (7.9)	0.31 (7.9)
R	6.78 (172.2)	6.78 (172.2)	8.10 (205.7)	10.73 (272.5)
Travel	0.62 (15.7)	0.69 (17.5)	0.88 (22.4)	1.12 (28.4)

Inches (mm)

**M095 Direct Acting, Small Bracket (Push Lever) & M096 Reverse Acting, Small Bracket (Pull Lever)**

**3-Way**



	1/4	3/8	1/2	3/4
A	9.53 (242.1)	10.78 (273.8)	12.67 (321.8)	16.47 (418.3)
B	4.67 (118.6)	5.15 (130.8)	5.68 (144.3)	8.27 (210.1)
C	2.38 (60.4)	2.62 (66.6)	3.12 (79.2)	3.62 (92.0)
D	0.94 (23.9)	1.06 (26.9)	1.25 (31.8)	1.62 (41.2)
E	0.47 (11.9)	0.53 (13.5)	0.62 (15.8)	0.81 (20.6)
F	1/4" Pipe	3/8" Pipe	1/2" Pipe	3/4" Pipe
G	2.25 (57.2)	2.38 (60.4)	2.62 (66.6)	3.25 (82.6)
H	1.12 (28.4)	1.19 (30.2)	1.31 (33.3)	1.62 (41.2)
J	4.14 (105.2)	4.98 (126.5)	5.85 (148.6)	7.39 (187.7)
K	2.07 (52.6)	2.49 (63.2)	2.92 (74.2)	3.69 (93.7)
L	0.34 (8.6)	0.34 (8.6)	0.41 (10.4)	0.41 (10.4)
M	1.12 (28.4)	1.12 (28.4)	1.25 (31.8)	1.56 (39.6)
N	0.25 (6.4)	0.25 (6.4)	0.31 (7.9)	0.31 (7.9)
P	2.12 (53.8)	2.18 (55.4)	2.63 (66.8)	3.06 (77.7)
R	6.78 (172.2)	6.78 (172.2)	8.10 (205.7)	10.73 (272.5)
Travel	0.62 (15.7)	0.69 (17.5)	0.88 (22.4)	1.12 (28.4)

Inches (mm)



For inventory, lead time, and kit lookup, visit [www.pdnplu.com](http://www.pdnplu.com)

Directair 2 & 4 Series  
 Viking Xtreme Lever Series  
 42 Lever / Pedal Series  
 MO Series  
 Safety  
 Manual / Mechanical Valves  
 Brass Poppet / Sliding Seal  
 Control Panel Products  
 Sensing

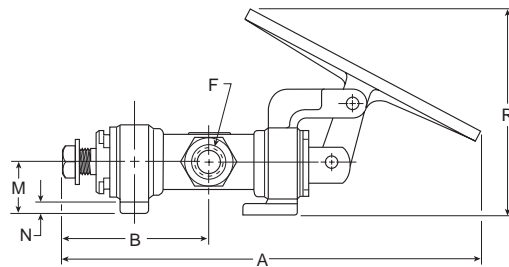
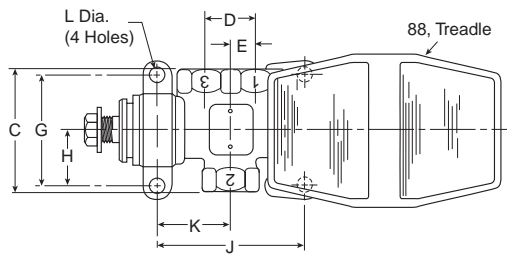
**Dimensional Data**

**MO Series**

**Treadle Operated, Manual Return, Stem Stop**

**M085 Stem Stop, Small Bracket**

**3-Way**

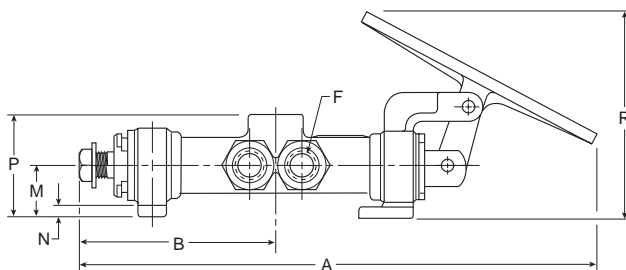
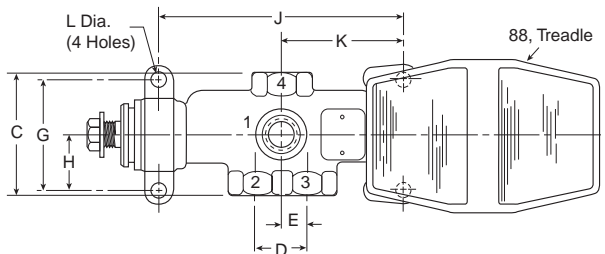


	1/4	3/8	1/2
<b>A</b>	8.01 (203.4)	8.73 (221.7)	10.32 (262.1)
<b>B</b>	2.67 (68.8)	3.06 (77.7)	4.06 (103.1)
<b>C</b>	2.38 (60.4)	2.62 (66.6)	3.00 (76.2)
<b>D</b>	0.94 (23.9)	1.06 (26.9)	1.25 (31.8)
<b>E</b>	0.47 (11.9)	0.53 (13.5)	0.62 (15.8)
<b>F</b>	1/4" Pipe	3/8" Pipe	1/2" Pipe
<b>G</b>	2.25 (57.2)	2.38 (60.4)	2.62 (66.6)
<b>H</b>	1.12 (28.4)	1.19 (30.2)	1.31 (33.3)
<b>J</b>	2.63 (66.8)	3.13 (79.5)	3.72 (94.5)
<b>K</b>	1.31 (33.3)	1.56 (39.6)	1.86 (47.2)
<b>L</b>	0.34 (8.6)	0.34 (8.6)	0.41 (10.4)
<b>M</b>	1.12 (28.4)	1.12 (28.4)	1.25 (31.8)
<b>N</b>	0.25 (6.4)	0.25 (6.4)	0.31 (7.9)
<b>R</b>	4.51 (114.6)	4.65 (118.1)	4.85 (123.2)
<b>Travel</b>	0.62 (15.8)	0.69 (17.5)	0.88 (22.4)

Inches (mm)

**M085 Stem Stop, Small Bracket**

**4-Way**



	1/4	3/8	1/2
<b>A</b>	9.52 (241.8)	10.57 (268.5)	12.11 (307.6)
<b>B</b>	3.42 (86.9)	3.97 (100.8)	4.78 (121.4)
<b>C</b>	2.38 (60.4)	2.62 (66.6)	3.12 (79.2)
<b>D</b>	0.94 (23.9)	1.06 (26.9)	1.25 (31.8)
<b>E</b>	0.47 (11.9)	0.53 (13.5)	0.62 (15.8)
<b>F</b>	1/4" Pipe	3/8" Pipe	1/2" Pipe
<b>G</b>	2.25 (57.2)	2.38 (60.4)	2.62 (66.6)
<b>H</b>	1.12 (28.4)	1.19 (30.2)	1.31 (33.3)
<b>J</b>	4.14 (105.2)	4.98 (126.5)	5.85 (148.6)
<b>K</b>	2.07 (52.6)	2.49 (63.2)	2.92 (74.2)
<b>L</b>	0.34 (8.6)	0.34 (8.6)	0.41 (10.4)
<b>M</b>	1.12 (28.4)	1.12 (28.4)	1.25 (31.8)
<b>N</b>	0.25 (6.4)	0.25 (6.4)	0.31 (7.9)
<b>P</b>	2.12 (53.8)	2.18 (55.4)	2.63 (66.8)
<b>R</b>	4.51 (114.6)	4.65 (118.1)	4.85 (123.2)
<b>Travel</b>	0.62 (15.8)	0.69 (17.5)	0.88 (22.4)

Inches (mm)

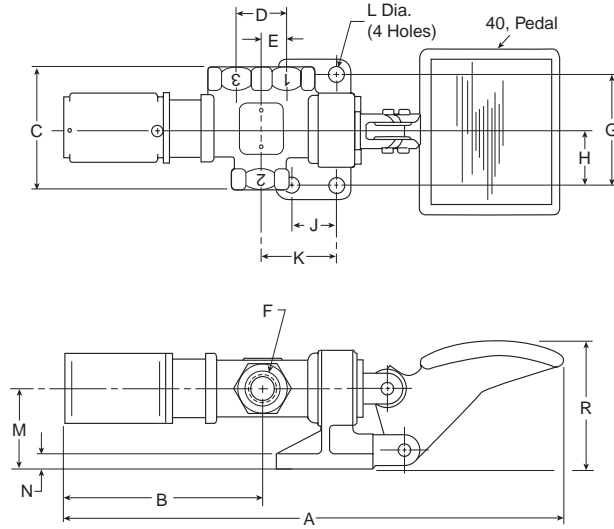


For inventory, lead times, and kit lookup, visit [www.pdnplu.com](http://www.pdnplu.com)

Directair 2 & 4 Series  
Viking Xtreme Lever Series  
42 Lever / Pedal Series  
MO Series  
Safety  
Manual / Mechanical Valves  
Brass Poppet / Sliding Seal  
Control Panel Products  
Sensing

**Pedal Operated, Spring Return**

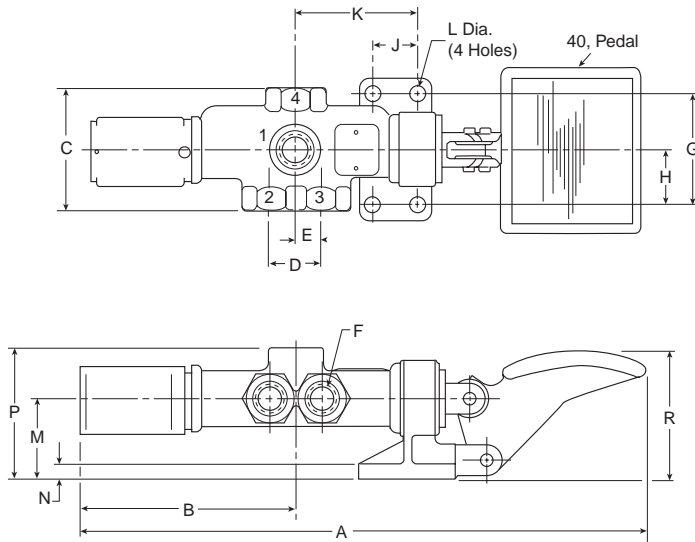
**M062 Direct Acting Spring Return, Less Bracket (Push Lever)**  
**3-Way**



	1/4	3/8	1/2
A	9.99 (253.8)	10.50 (269.2)	12.66 (321.6)
B	3.92 (99.5)	4.23 (107.4)	5.31 (134.9)
C	2.38 (60.4)	2.62 (66.6)	3.00 (76.2)
D	0.94 (23.9)	1.06 (26.9)	1.25 (31.8)
E	0.47 (11.9)	0.53 (13.5)	0.62 (15.8)
F	1/4" Pipe	3/8" Pipe	1/2" Pipe
G	2.25 (57.2)	2.38 (60.4)	2.62 (66.6)
H	1.12 (28.4)	1.19 (30.2)	1.31 (33.3)
J	0.97 (24.6)	0.97 (24.6)	1.12 (28.4)
K	1.44 (36.6)	1.56 (39.6)	1.83 (46.5)
L	0.34 (8.6)	0.34 (8.6)	0.41 (10.4)
M	1.72 (43.7)	1.72 (43.7)	2.00 (50.8)
N	0.31 (7.9)	0.31 (7.9)	0.38 (9.6)
R	2.66 (67.6)	2.71 (68.8)	2.74 (69.6)
Travel	0.62 (15.8)	0.69 (17.5)	0.88 (22.4)

Inches (mm)

**M062 Direct Acting Spring Return, Less Bracket (Push Lever)**  
**4-Way**



	1/4	3/8	1/2
A	11.50 (292.1)	12.44 (315.9)	14.45 (367.0)
B	4.67 (118.5)	5.15 (130.8)	5.68 (144.3)
C	2.38 (60.4)	2.62 (66.6)	3.00 (76.2)
D	0.94 (23.9)	1.06 (26.9)	1.25 (31.8)
E	0.47 (11.9)	0.53 (13.5)	0.62 (15.8)
F	1/4" Pipe	3/8" Pipe	1/2" Pipe
G	2.25 (57.2)	2.38 (60.4)	2.62 (66.6)
H	1.12 (28.4)	1.19 (30.2)	1.31 (33.3)
J	0.97 (24.6)	0.97 (24.6)	1.12 (28.4)
K	2.19 (55.6)	2.48 (63.0)	2.89 (73.4)
L	0.34 (8.6)	0.34 (8.6)	0.41 (10.4)
M	1.72 (43.7)	1.72 (43.7)	2.00 (50.8)
N	0.31 (7.9)	0.31 (7.9)	0.38 (9.6)
P	2.72 (69.1)	2.78 (70.6)	3.38 (85.8)
R	2.66 (67.6)	2.71 (68.8)	2.74 (69.6)
Travel	0.62 (15.8)	0.69 (17.5)	0.88 (22.4)

Inches (mm)



For inventory, lead time, and kit lookup, visit [www.pdnplu.com](http://www.pdnplu.com)





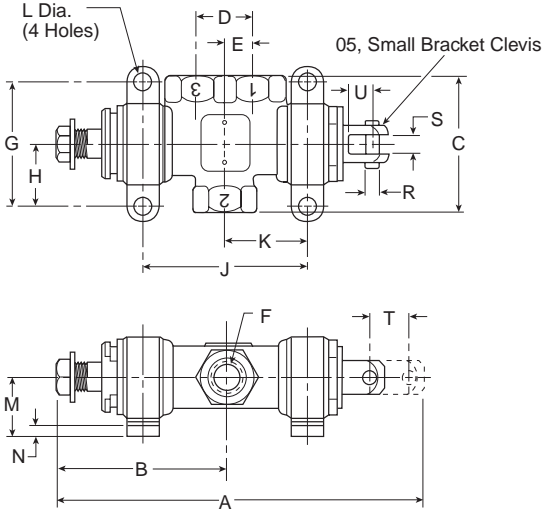
**Dimensional Data**

**MO Series**

**Clevis Operated, Mechanical Return, Stem Stop**

**M085 Stem Stop, Small Bracket**

**3-Way**

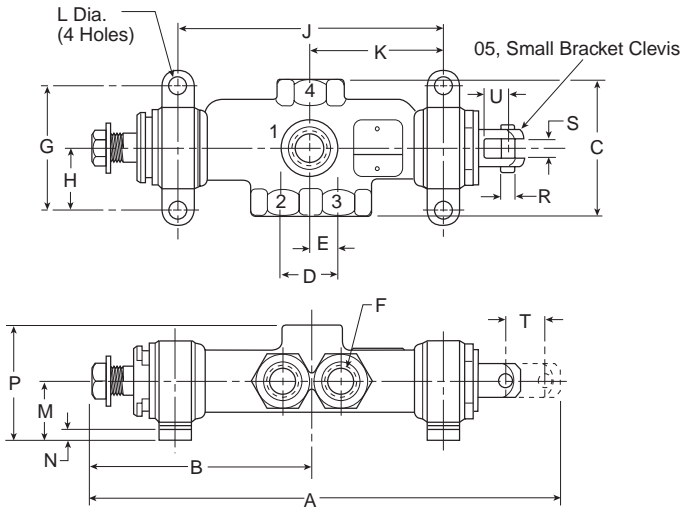


Inches (mm)

	1/4	3/8	1/2	3/4
A	5.31 (134.9)	6.01 (152.6)	7.36 (186.9)	8.92 (226.6)
B	2.68 (68.1)	3.06 (77.7)	4.85 (123.2)	4.62 (117.3)
C	2.38 (60.4)	2.62 (66.6)	3.00 (76.2)	3.62 (92.0)
D	0.94 (23.9)	1.06 (26.9)	1.25 (31.8)	1.62 (41.2)
E	0.47 (11.9)	0.53 (13.5)	0.62 (15.8)	0.81 (20.6)
F	1/4" Pipe	3/8" Pipe	1/2" Pipe	3/4" Pipe
G	2.25 (57.2)	2.38 (60.4)	2.62 (66.6)	3.25 (82.6)
H	1.12 (28.4)	1.19 (30.2)	1.31 (33.3)	1.62 (41.2)
J	2.64 (67.1)	3.14 (79.8)	3.73 (94.7)	4.67 (118.6)
K	1.32 (33.5)	1.57 (39.9)	1.87 (47.5)	2.33 (59.2)
L	0.34 (8.6)	0.34 (8.6)	0.41 (10.4)	0.41 (10.4)
M	1.12 (28.4)	1.12 (28.4)	1.25 (31.8)	1.56 (39.6)
N	0.25 (6.4)	0.25 (6.4)	0.31 (7.9)	0.31 (7.9)
R	0.25 (6.4)	0.25 (6.4)	0.31 (7.9)	0.31 (7.9)
S	0.38 (9.6)	0.38 (9.6)	0.44 (11.2)	0.44 (11.2)
U	0.47 (11.9)	0.47 (11.9)	0.56 (14.2)	0.62 (15.8)
Travel	0.62 (15.8)	0.69 (17.5)	0.88 (22.4)	1.12 (28.4)

**M085 Stem Stop, Small Bracket**

**4-Way**



Inches (mm)

	1/4	3/8	1/2	3/4
A	6.81 (173.0)	7.85 (199.4)	9.48 (240.8)	11.64 (295.7)
B	3.42 (86.9)	3.97 (100.8)	5.91 (150.1)	5.97 (151.6)
C	2.38 (60.4)	2.62 (66.6)	3.12 (79.2)	3.62 (92.0)
D	0.94 (23.9)	1.06 (26.9)	1.25 (31.8)	1.62 (41.2)
E	0.47 (11.9)	0.53 (13.5)	0.62 (15.8)	0.81 (20.6)
F	1/4" Pipe	3/8" Pipe	1/2" Pipe	3/4" Pipe
G	2.25 (57.2)	2.38 (60.4)	2.62 (66.6)	3.25 (82.6)
H	1.12 (28.4)	1.19 (30.2)	1.31 (33.3)	1.62 (41.2)
J	4.14 (105.2)	4.98 (126.5)	5.85 (148.6)	7.39 (187.7)
K	2.07 (52.6)	2.49 (63.2)	2.92 (74.2)	3.69 (93.7)
L	0.34 (8.6)	0.34 (8.6)	0.41 (10.4)	0.41 (10.4)
M	1.12 (28.4)	1.12 (28.4)	1.25 (31.8)	1.56 (39.6)
N	0.25 (6.4)	0.25 (6.4)	0.31 (7.9)	0.31 (7.9)
P	2.12 (53.8)	2.18 (55.4)	2.63 (66.8)	3.06 (77.7)
R	0.25 (6.4)	0.25 (6.4)	0.31 (7.9)	0.31 (7.9)
S	0.38 (9.6)	0.38 (9.6)	0.44 (11.2)	0.44 (11.2)
U	0.47 (11.9)	0.47 (11.9)	0.56 (14.2)	0.62 (15.8)
Travel	0.62 (15.8)	0.69 (17.5)	0.88 (22.4)	1.12 (28.4)

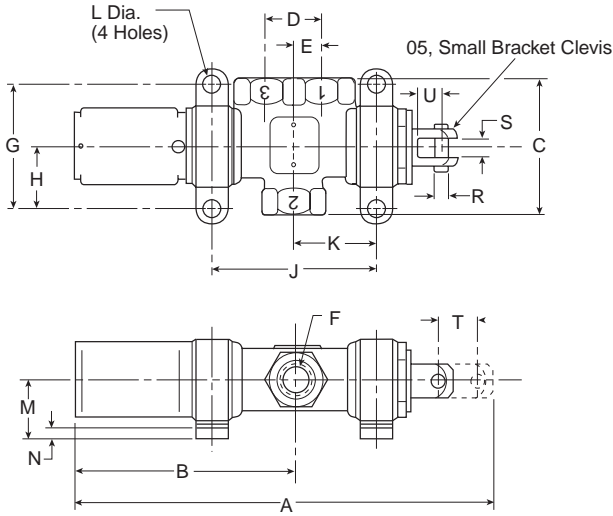


For inventory, lead times, and kit lookup, visit [www.pdnplu.com](http://www.pdnplu.com)

**Clevis Operated, Spring Return, Small Bracket**

**M095 Direct Acting (Push Lever) & M096 Reverse Acting (Pull Lever)**

**3-Way**

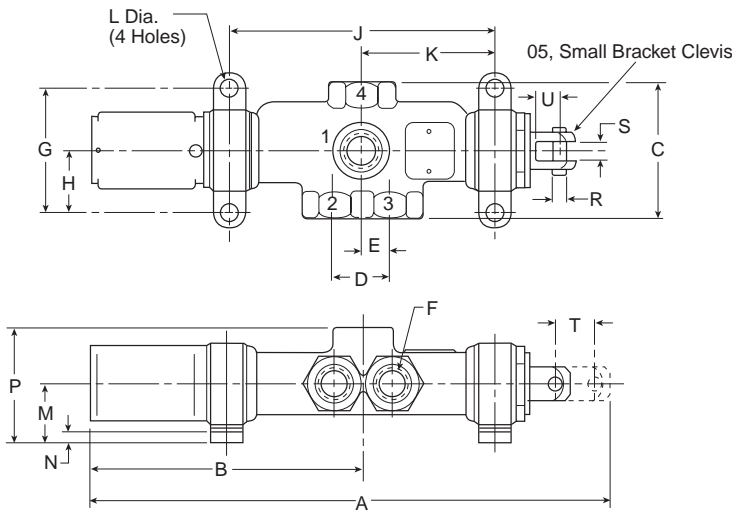


Inches (mm)

	1/4	3/8	1/2	3/4
A	6.56 (166.5)	7.19 (182.6)	8.95 (227.3)	11.22 (285.0)
B	3.92 (99.5)	4.24 (107.6)	5.31 (134.9)	6.92 (175.8)
C	2.38 (60.4)	2.62 (66.6)	3.00 (76.2)	3.62 (92.0)
D	0.94 (23.9)	1.06 (26.9)	1.25 (31.8)	1.62 (41.2)
E	0.47 (11.9)	0.53 (13.5)	0.62 (15.8)	0.81 (20.6)
F	1/4" Pipe	3/8" Pipe	1/2" Pipe	3/4" Pipe
G	2.25 (57.2)	2.38 (60.4)	2.62 (66.6)	3.25 (82.6)
H	1.12 (28.4)	1.19 (30.2)	1.31 (33.3)	1.62 (41.2)
J	2.63 (66.8)	3.13 (79.5)	3.72 (94.5)	4.56 (115.8)
K	1.31 (33.3)	1.56 (39.6)	1.86 (47.2)	2.28 (57.9)
L	0.34 (8.6)	0.34 (8.6)	0.41 (10.4)	0.41 (10.4)
M	1.12 (28.4)	1.12 (28.4)	1.25 (31.8)	1.56 (39.6)
N	0.25 (6.4)	0.25 (6.4)	0.31 (7.9)	0.31 (7.9)
R	0.25 (6.4)	0.25 (6.4)	0.31 (7.9)	0.31 (7.9)
S	0.38 (9.6)	0.38 (9.6)	0.44 (11.2)	0.44 (11.2)
U	0.47 (11.9)	0.47 (11.9)	0.56 (14.2)	0.62 (15.8)
Travel	0.62 (15.8)	0.69 (17.5)	0.88 (22.4)	1.12 (28.4)

**M095 Direct Acting (Push Lever) & M096 Reverse Acting (Pull Lever)**

**4-Way**



Inches (mm)

	1/4	3/8	1/2	3/4
A	8.06 (204.6)	9.03 (229.3)	11.07 (281.2)	13.94 (354.1)
B	4.67 (118.6)	5.15 (130.8)	5.68 (144.3)	8.27 (210.1)
C	2.38 (60.4)	2.62 (66.6)	3.00 (76.2)	3.62 (92.0)
D	0.94 (23.9)	1.06 (26.9)	1.25 (31.8)	1.62 (41.2)
E	0.47 (11.9)	0.53 (13.5)	0.62 (15.8)	0.81 (20.6)
F	1/4" Pipe	3/8" Pipe	1/2" Pipe	3/4" Pipe
G	2.25 (57.2)	2.38 (60.4)	2.62 (66.6)	3.25 (82.6)
H	1.12 (28.4)	1.19 (30.2)	1.31 (33.3)	1.62 (41.2)
J	4.14 (105.2)	4.98 (126.5)	5.85 (148.6)	7.39 (187.7)
K	2.07 (52.6)	2.49 (63.2)	2.9 (74.2)	3.69 (93.7)
L	0.34 (8.6)	0.34 (8.6)	0.41 (10.4)	0.41 (10.4)
M	1.12 (28.4)	1.12 (28.4)	1.25 (31.8)	1.56 (39.6)
N	0.25 (6.4)	0.25 (6.4)	0.31 (7.9)	0.31 (7.9)
P	2.12 (53.8)	2.18 (55.4)	2.63 (66.8)	3.06 (77.7)
R	0.25 (6.4)	0.25 (6.4)	0.31 (7.9)	0.31 (7.9)
S	0.38 (9.6)	0.38 (9.6)	0.44 (11.2)	0.44 (11.2)
U	0.47 (11.9)	0.47 (11.9)	0.56 (14.2)	0.62 (15.8)
Travel	0.62 (15.8)	0.69 (17.5)	0.88 (22.4)	1.12 (28.4)



For inventory, lead time, and kit lookup, visit [www.pdnplu.com](http://www.pdnplu.com)

Directair 2  
& 4 Series

Viking Xtreme  
Lever Series

42 Lever/  
Pedal Series

MO Series

Safety



Manual / Mechanical  
Valves

Brass Poppet /  
Sliding Seal

Control Panel  
Products

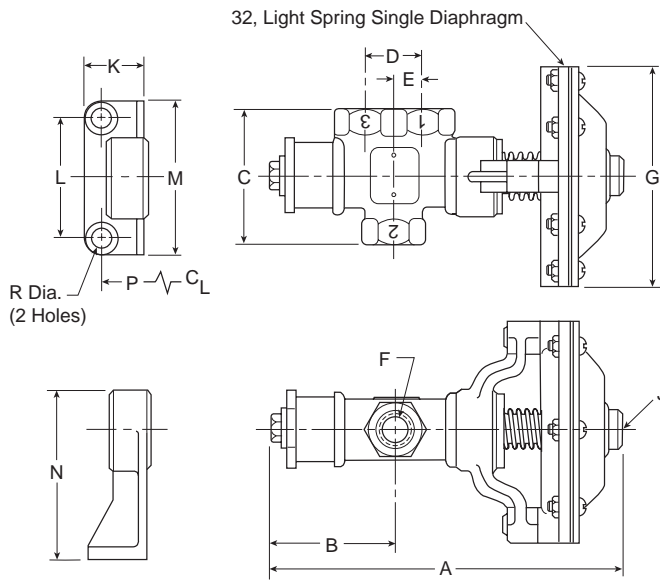
Sensing

Dimensional Data

Single Diaphragm Operated, Spring Return Stem Stop

M084 Stem Stop, Large Bracket

3-Way

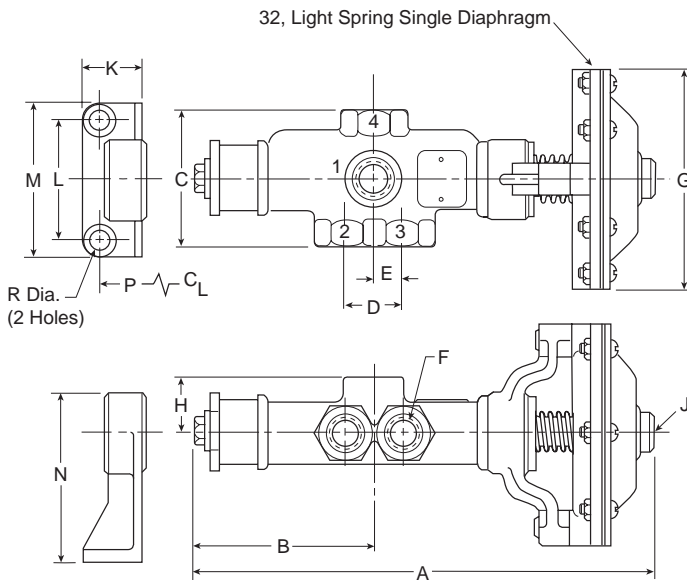


	1/4	3/8	1/2	3/4
A	6.14 (156.0)	6.85 (174.0)	8.03 (204.0)	9.89 (251.2)
B	2.03 (51.6)	2.36 (59.9)	2.83 (71.9)	3.48 (88.4)
C	2.38 (60.4)	2.62 (66.6)	3.00 (76.2)	3.62 (92.0)
D	0.94 (23.9)	1.06 (26.9)	1.25 (31.8)	1.62 (41.2)
E	0.47 (11.9)	0.53 (13.5)	0.62 (15.8)	0.81 (20.6)
F	1/4" Pipe	3/8" Pipe	1/2" Pipe	3/4" Pipe
G	4.34 (110.2)	4.34 (110.2)	4.34 (110.2)	5.27 (133.9)
J	1/8" Pipe	1/8" Pipe	1/8" Pipe	1/8" Pipe
K	1.12 (28.4)	1.12 (28.4)	1.75 (44.4)	2.00 (50.8)
L	2.00 (50.8)	2.38 (60.4)	2.00 (50.8)	3.25 (82.6)
M	2.75 (69.8)	3.00 (76.2)	3.00 (76.2)	4.19 (106.4)
N	3.22 (81.8)	3.28 (83.3)	3.40 (86.4)	4.00 (101.6)
P	1.81 (46.0)	2.03 (51.6)	2.74 (69.6)	3.18 (80.8)
R	0.34 (8.6)	0.34 (8.6)	0.41 (10.4)	0.41 (10.4)
Travel	0.62 (15.8)	0.69 (17.5)	0.88 (22.4)	1.12 (28.4)

Inches (mm)

M084 Stem Stop, Large Bracket

4-Way



	1/4	3/8	1/2	3/4
A	7.65 (194.3)	8.69 (220.7)	9.82 (249.4)	12.60 (320.0)
B	2.79 (70.9)	3.28 (83.3)	3.89 (98.8)	4.84 (122.9)
C	2.38 (60.4)	2.62 (66.6)	3.12 (79.2)	3.62 (92.0)
D	0.94 (23.9)	1.06 (26.9)	1.25 (31.8)	1.62 (41.2)
E	0.47 (11.9)	0.53 (13.5)	0.62 (15.8)	0.81 (20.6)
F	1/4" Pipe	3/8" Pipe	1/2" Pipe	3/4" Pipe
G	4.34 (110.2)	4.34 (110.2)	4.34 (110.2)	5.27 (133.9)
H	1.00 (25.4)	1.06 (26.9)	1.38 (30.0)	1.50 (38.1)
J	1/8" Pipe	1/8" Pipe	1/8" Pipe	1/8" Pipe
K	1.12 (28.4)	1.12 (28.4)	1.75 (44.4)	2.00 (50.8)
L	2.00 (50.8)	2.38 (60.4)	2.00 (50.8)	3.25 (82.6)
M	2.75 (69.8)	3.00 (76.2)	3.00 (76.2)	4.19 (106.4)
N	3.22 (81.8)	3.28 (83.3)	3.40 (86.4)	4.00 (101.6)
P	2.57 (65.3)	2.95 (74.9)	3.80 (96.5)	4.54 (115.3)
R	0.34 (8.6)	0.34 (8.6)	0.41 (10.4)	0.41 (10.4)
Travel	0.62 (15.8)	0.69 (17.5)	0.88 (22.4)	1.12 (28.4)

Inches (mm)



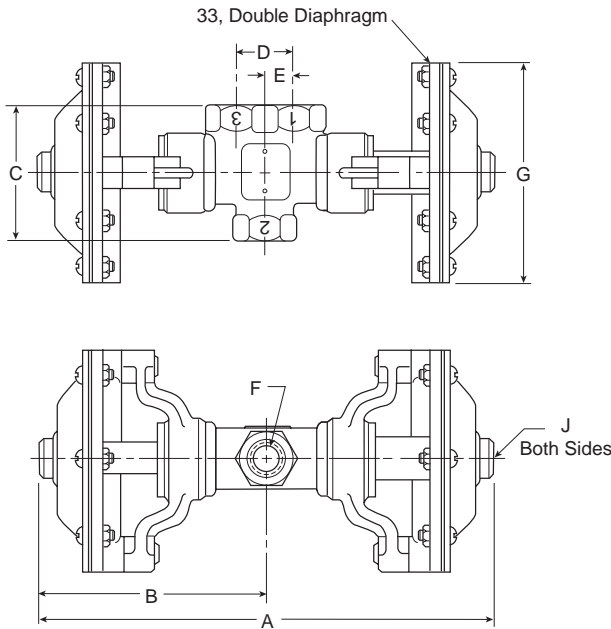
For inventory, lead times, and kit lookup, visit [www.pdnplu.com](http://www.pdnplu.com)

Directair 2 & 4 Series  
Viking Xtreme Lever Series  
42 Lever / Pedal Series  
MO Series  
Safety  
Manual / Mechanical Valves  
Brass Poppet / Sliding Seal  
Control Panel Products  
Sensing

**Double Diaphragm Operated**

**M033 Double Diaphragm**

**3-Way**

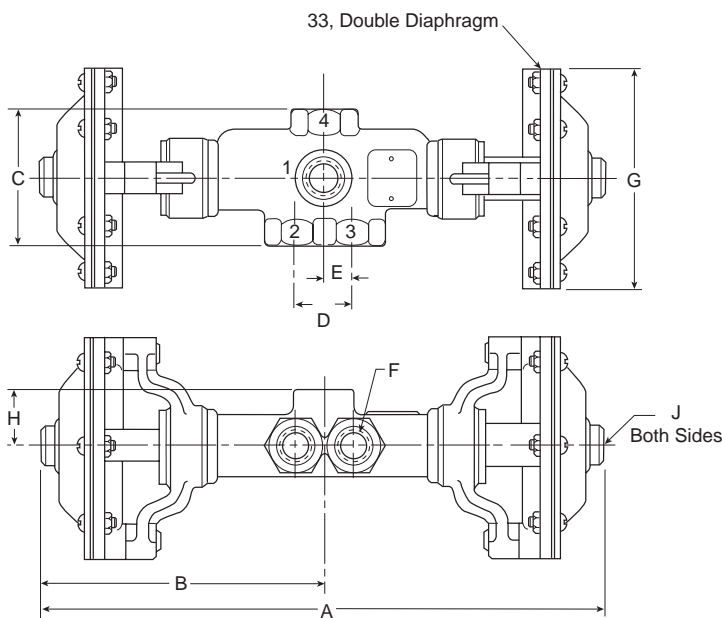


	1/4	3/8	1/2	3/4
<b>A</b>	8.22 (208.8)	8.98 (228.1)	10.40 (264.2)	12.82 (325.6)
<b>B</b>	4.11 (104.4)	4.49 (114.0)	5.20 (132.1)	6.41 (162.8)
<b>C</b>	2.38 (60.4)	2.62 (66.6)	3.00 (76.2)	3.62 (92.0)
<b>D</b>	.94 (23.9)	1.06 (26.9)	1.25 (31.8)	1.62 (41.2)
<b>E</b>	.47 (11.9)	.53 (13.5)	.62 (15.8)	.81 (20.6)
<b>F</b>	1/4" Pipe	3/8" Pipe	1/2" Pipe	3/4" Pipe
<b>G</b>	4.34 (110.2)	4.34 (110.2)	4.34 (110.2)	5.27 (133.9)
<b>J</b>	1/8" Pipe	1/8" Pipe	1/8" Pipe	1/8" Pipe

Inches (mm)

**M033 Double Diaphragm**

**4-Way**



	1/4	3/8	1/2	3/4
<b>A</b>	9.72 (246.9)	10.82 (274.8)	11.86 (301.2)	15.52 (394.2)
<b>B</b>	4.86 (123.4)	5.41 (137.4)	5.93 (150.6)	7.76 (197.1)
<b>C</b>	2.38 (60.4)	2.62 (66.6)	3.12 (79.2)	3.62 (92.0)
<b>D</b>	.94 (23.9)	1.06 (26.9)	1.25 (31.8)	1.62 (41.2)
<b>E</b>	.47 (11.9)	.53 (13.5)	.62 (15.8)	.81 (20.6)
<b>F</b>	1/4" Pipe	3/8" Pipe	1/2" Pipe	3/4" Pipe
<b>G</b>	4.34 (110.2)	4.34 (110.2)	4.34 (110.2)	5.27 (133.9)
<b>H</b>	1.00 (25.4)	1.06 (26.9)	1.38 (30.0)	1.50 (38.1)
<b>J</b>	1/8" Pipe	1/8" Pipe	1/8" Pipe	1/8" Pipe

Inches (mm)



For inventory, lead time, and kit lookup, visit [www.pdnplu.com](http://www.pdnplu.com)

Directair 2  
& 4 Series

Viking Xtreme  
Lever Series

42 Lever/  
Pedal Series

MO Series

Safety



Manual / Mechanical  
Valves

Brass Poppet /  
Sliding Seal

Control Panel  
Products

Sensing

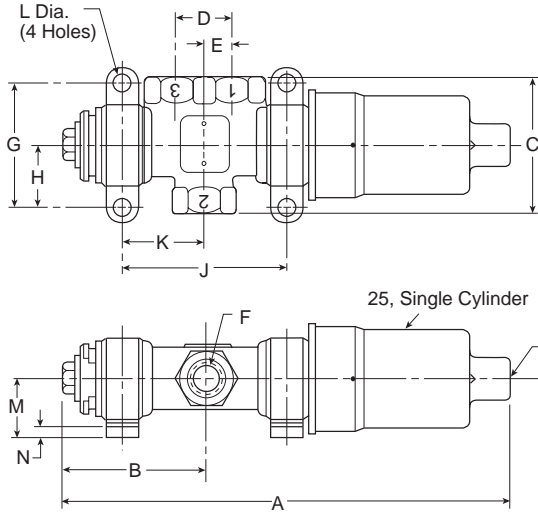
**Dimensional Data**

**MO Series**

**Single Cylinder Operated, Spring Return, Stem Stop**

**M085 Stem Stop, Small Bracket**

**3-Way**

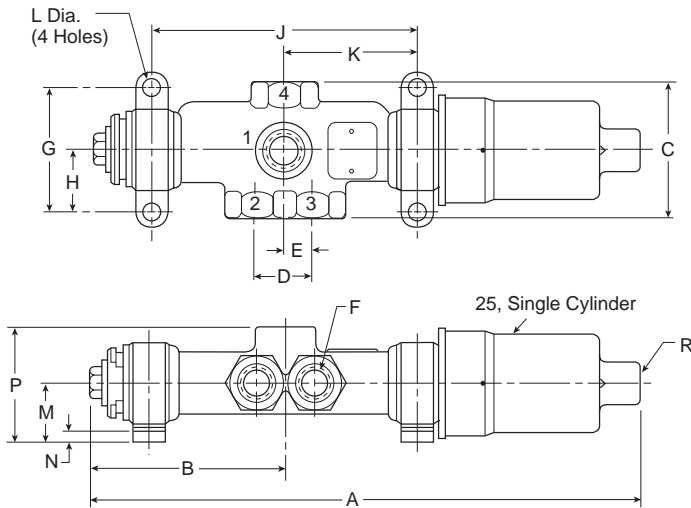


	1/4	3/8	1/2	3/4
A	7.50 (190.5)	8.14 (206.8)	9.03 (229.4)	11.18 (284.0)
B	2.03 (51.6)	2.36 (59.9)	2.83 (71.9)	3.48 (88.4)
C	2.38 (60.4)	2.62 (66.6)	3.00 (76.2)	3.62 (92.0)
D	.94 (23.9)	1.06 (26.9)	1.25 (31.8)	1.62 (41.2)
E	.47 (11.9)	.53 (13.5)	.62 (15.8)	.81 (20.6)
F	1/4" Pipe	3/8" Pipe	1/2" Pipe	3/4" Pipe
G	2.25 (57.2)	2.38 (60.4)	2.62 (66.6)	3.25 (82.6)
H	1.12 (28.4)	1.19 (30.2)	1.31 (33.3)	1.62 (41.2)
J	2.64 (67.1)	3.14 (79.8)	3.73 (94.7)	4.67 (118.6)
K	1.32 (33.5)	1.57 (39.9)	1.87 (47.5)	2.33 (59.2)
L	.34 (8.6)	.34 (8.6)	.41 (10.4)	.41 (10.4)
M	1.12 (28.4)	1.12 (28.4)	1.25 (31.8)	1.56 (39.6)
N	.25 (6.4)	.25 (6.4)	.31 (7.9)	.31 (7.9)
R	1/4" Pipe	1/4" Pipe	1/4" Pipe	1/4" Pipe
Travel	.62 (15.7)	.69 (17.5)	.88 (22.4)	1.12 (28.4)

Inches (mm)

**M085 Stem Stop, Small Bracket**

**4-Way**



	1/4	3/8	1/2	3/4
A	9.00 (228.6)	9.98 (253.5)	11.15 (283.2)	13.90 (353.1)
B	2.79 (70.9)	3.28 (83.3)	3.89 (98.8)	4.84 (122.9)
C	2.38 (60.4)	2.62 (66.6)	3.12 (79.2)	3.62 (92.0)
D	.94 (23.9)	1.06 (26.9)	1.25 (31.8)	1.62 (41.2)
E	.47 (11.9)	.53 (13.5)	.62 (15.8)	.81 (20.6)
F	1/4" Pipe	3/8" Pipe	1/2" Pipe	3/4" Pipe
G	2.25 (57.2)	2.38 (60.4)	2.62 (66.6)	3.25 (82.6)
H	1.12 (28.4)	1.19 (30.2)	1.31 (33.3)	1.62 (41.2)
J	4.14 (105.2)	4.98 (126.5)	5.85 (148.6)	7.39 (187.7)
K	2.07 (52.6)	2.49 (63.2)	2.92 (74.2)	3.69 (93.7)
L	.34 (8.6)	.34 (8.6)	.41 (10.4)	.41 (10.4)
M	1.12 (28.4)	1.12 (28.4)	1.25 (31.8)	1.56 (39.6)
N	.25 (6.4)	.25 (6.4)	.31 (7.9)	.31 (7.9)
P	2.12 (53.8)	2.18 (55.4)	2.63 (66.8)	3.06 (77.7)
R	1/4" Pipe	1/4" Pipe	1/4" Pipe	1/4" Pipe
Travel	.62 (15.8)	.69 (17.5)	.88 (22.4)	1.12 (28.4)

Inches (mm)

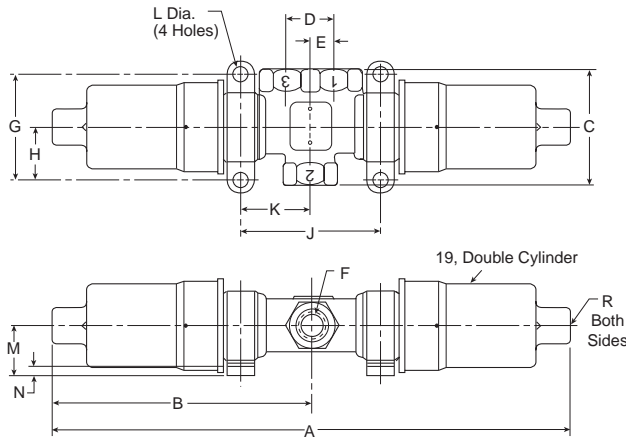


For inventory, lead times, and kit lookup, visit [www.pdnplu.com](http://www.pdnplu.com)

**Double Cylinder Operated**

**M019 Double Cylinder**

**3-Way**

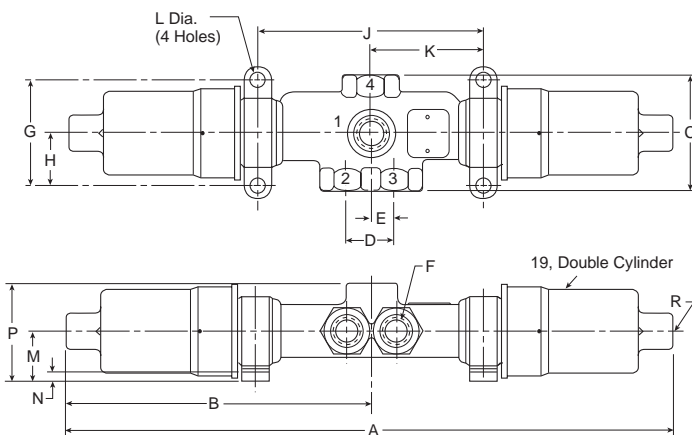


	1/4	3/8	1/2	3/4
A	10.94 (277.9)	11.56 (293.6)	12.40 (315.0)	15.40 (391.2)
B	5.47 (138.9)	5.78 (146.8)	6.20 (157.5)	7.70 (195.6)
C	2.38 (60.4)	2.62 (66.6)	3.00 (76.2)	3.62 (92.0)
D	.94 (23.9)	1.06 (26.9)	1.25 (31.8)	1.62 (41.2)
E	.47 (11.9)	.53 (13.5)	.62 (15.8)	.81 (20.6)
F	1/4" Pipe	3/8" Pipe	1/2" Pipe	3/4" Pipe
G	2.25 (57.2)	2.38 (60.4)	2.62 (66.6)	3.25 (82.6)
H	1.12 (28.4)	1.19 (30.2)	1.31 (33.3)	1.62 (41.2)
J	2.64 (67.1)	3.14 (79.8)	3.73 (94.7)	4.67 (118.6)
K	1.32 (33.5)	1.57 (39.9)	1.87 (47.5)	2.33 (59.2)
L	.34 (8.6)	.34 (8.6)	.41 (10.4)	.41 (10.4)
M	1.12 (28.4)	1.12 (28.4)	1.25 (31.8)	1.56 (39.6)
N	.25 (6.4)	.25 (6.4)	.31 (7.9)	.31 (7.9)
R	1/4" Pipe	1/4" Pipe	1/4" Pipe	1/4" Pipe

Inches (mm)

**M019 Double Cylinder**

**4-Way**



	1/4	3/8	1/2	3/4
A	12.42 (315.5)	13.40 (340.4)	14.52 (368.8)	18.12 (460.2)
B	6.21 (157.7)	6.70 (170.2)	7.26 (184.4)	9.06 (230.1)
C	2.38 (60.4)	2.62 (66.6)	3.12 (79.2)	3.62 (92.0)
D	.94 (23.9)	1.06 (26.9)	1.25 (31.8)	1.62 (41.2)
E	.47 (11.9)	.53 (13.5)	.62 (15.8)	.81 (20.6)
F	1/4" Pipe	3/8" Pipe	1/2" Pipe	3/4" Pipe
G	2.25 (57.2)	2.38 (60.4)	2.62 (66.6)	3.25 (82.6)
H	1.12 (28.4)	1.19 (30.2)	1.31 (33.3)	1.62 (41.2)
J	4.14 (105.2)	4.98 (126.5)	5.85 (148.6)	7.39 (187.7)
K	2.07 (52.6)	2.49 (63.2)	2.92 (74.2)	3.69 (93.7)
L	.34 (8.6)	.34 (8.6)	.41 (10.4)	.41 (10.4)
M	1.12 (28.4)	1.12 (28.4)	1.25 (31.8)	1.56 (39.6)
N	.25 (6.4)	.25 (6.4)	.31 (7.9)	.31 (7.9)
P	2.12 (53.8)	2.18 (55.4)	2.63 (66.8)	3.06 (77.7)
R	1/4" Pipe	1/4" Pipe	1/4" Pipe	1/4" Pipe

Inches (mm)



For inventory, lead time, and kit lookup, visit [www.pdnplu.com](http://www.pdnplu.com)

Directair 2  
& 4 Series

Viking Xtreme  
Lever Series

42 Lever/  
Pedal Series

MO Series

Safety



Manual / Mechanical  
Valves

Brass Poppet /  
Sliding Seal

Control Panel  
Products

Sensing



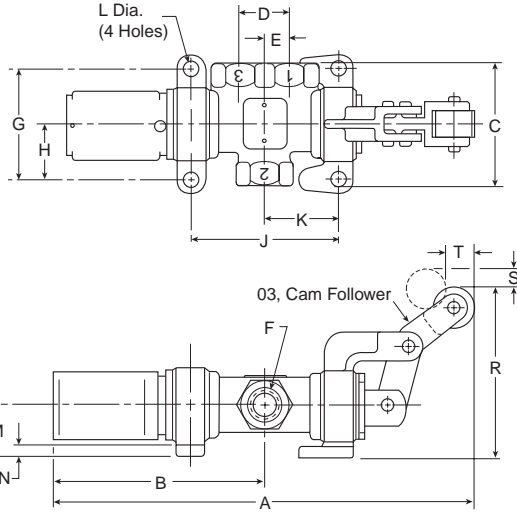
**Dimensional Data**

**MO Series**

**Cam Operated, Spring Return**

**M095 Direct Acting, Small Bracket (Push Lever)**

**3-Way**

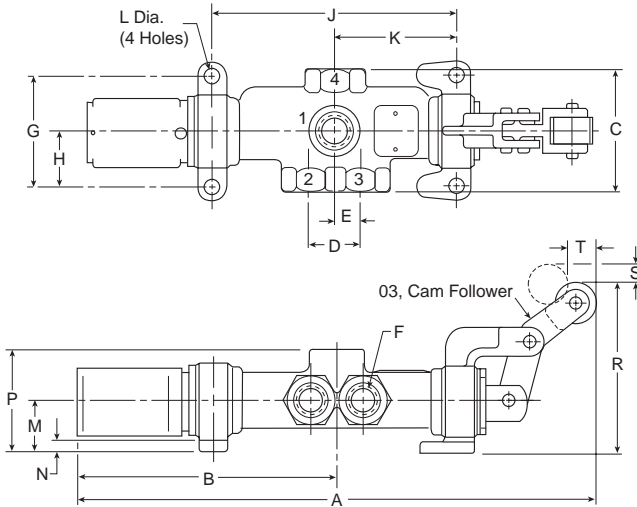


Inches (mm)

	1/4	3/8	1/2	3/4
A	7.98 (202.6)	8.72 (221.5)	10.77 (273.6)	13.54 (343.9)
B	3.92 (99.6)	4.24 (107.7)	5.31 (134.9)	6.92 (175.8)
C	2.38 (60.4)	2.62 (66.6)	3.00 (76.2)	3.62 (92.0)
D	.94 (23.9)	1.06 (26.9)	1.25 (31.8)	1.62 (41.2)
E	.47 (11.9)	.53 (13.5)	.62 (15.8)	.81 (20.6)
F	1/4" Pipe	3/8" Pipe	1/2" Pipe	3/4" Pipe
G	2.25 (57.2)	2.38 (60.4)	2.62 (66.6)	3.25 (82.6)
H	1.12 (28.4)	1.19 (30.2)	1.31 (33.3)	1.62 (41.2)
J	2.63 (66.8)	3.13 (79.5)	3.72 (94.5)	4.56 (115.8)
K	1.31 (33.3)	1.56 (39.6)	1.86 (47.2)	2.28 (57.9)
L	.34 (8.6)	.34 (8.6)	.41 (10.4)	.41 (10.4)
M	1.12 (38.4)	1.12 (28.4)	1.25 (31.8)	1.56 (39.6)
N	.25 (6.4)	.25 (6.4)	.31 (7.9)	.31 (7.9)
R	3.88 (98.6)	3.88 (98.6)	4.23 (107.4)	4.88 (124.0)
S	.43 (10.9)	.47 (11.9)	.70 (17.8)	.67 (17.0)
Travel	.53 (13.5)	.59 (15.0)	.75 (19.0)	.81 (20.6)

**M095 Direct Acting, Small Bracket (Push Lever)**

**4-Way**



Inches (mm)

	1/4	3/8	1/2	3/4
A	9.48 (204.7)	10.56 (268.2)	12.89 (327.4)	16.26 (413.0)
B	4.67 (118.6)	5.15 (130.8)	5.68 (144.3)	8.27 (210.1)
C	2.38 (60.4)	2.62 (66.6)	3.12 (79.2)	3.62 (92.0)
D	.94 (23.9)	1.06 (26.9)	1.25 (31.8)	1.62 (41.2)
E	.47 (11.9)	.53 (13.5)	.62 (15.8)	.81 (20.6)
F	1/4" Pipe	3/8" Pipe	1/2" Pipe	3/4" Pipe
G	2.25 (57.2)	2.38 (60.4)	2.62 (66.6)	3.25 (82.6)
H	1.12 (28.4)	1.19 (30.2)	1.31 (33.3)	1.62 (41.2)
J	4.14 (105.2)	4.98 (126.5)	5.85 (148.6)	7.39 (187.7)
K	2.07 (52.6)	2.49 (63.2)	2.92 (74.2)	3.69 (93.7)
L	.34 (8.6)	.34 (8.6)	.41 (10.4)	.41 (10.4)
M	1.12 (28.4)	1.12 (28.4)	1.25 (31.8)	1.56 (39.6)
N	.25 (6.4)	.25 (6.4)	.31 (7.9)	.31 (7.9)
P	2.12 (53.8)	2.18 (55.4)	2.63 (66.8)	3.06 (77.7)
R	3.88 (98.6)	3.88 (98.6)	4.23 (107.4)	4.88 (124.0)
S	.43 (10.9)	.47 (11.9)	.70 (17.8)	.67 (17.0)
Travel	.53 (13.5)	.59 (15.0)	.75 (19.0)	.81 (20.6)



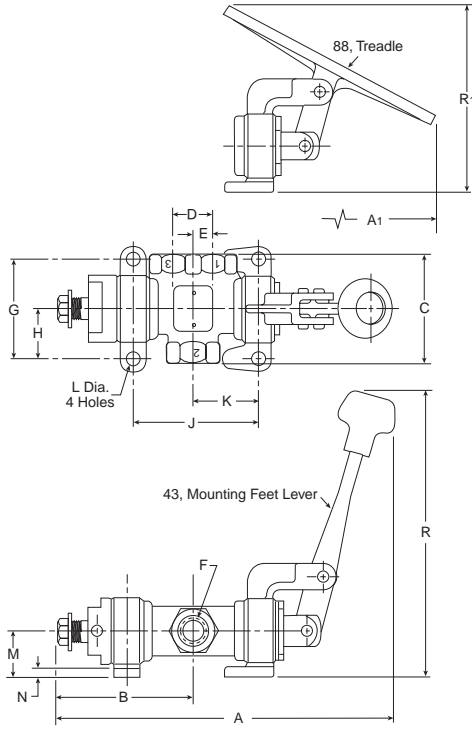
For inventory, lead times, and kit lookup, visit [www.pdnplu.com](http://www.pdnplu.com)

Directair 2 & 4 Series  
Viking Xtreme Lever Series  
42 Lever / Pedal Series  
MO Series  
Safety  
Manual / Mechanical Valves  
Brass Poppet / Sliding Seal  
Control Panel Products  
Sensing

**Lever & Treadle Operated, 2-Position Ball Detent**

**M054 Ball Detent, Small Bracket**

**3-Way**

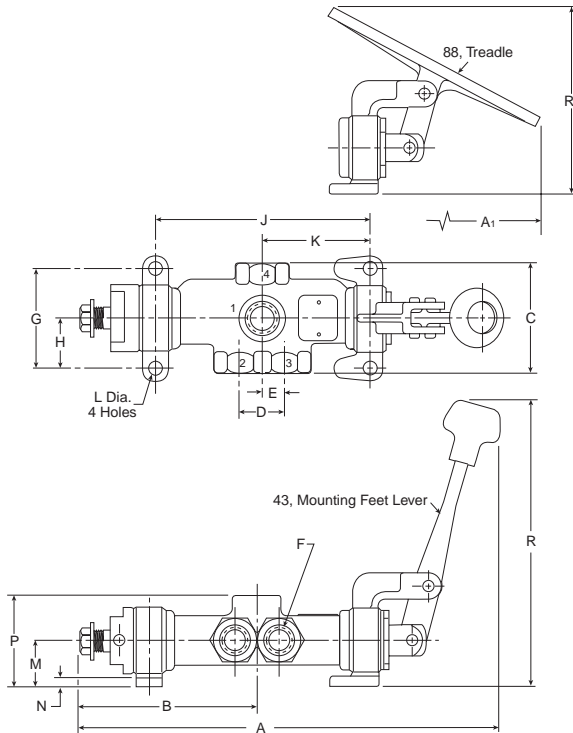


Inches (mm)

	1/4	3/8	1/2	3/4
A	7.35 (186.7)	8.36 (212.3)	9.95 (252.7)	12.25 (311.2)
A1	8.59 (218.2)	9.33 (237.0)	10.65 (270.5)	12.90 (327.7)
B	3.25 (82.6)	3.66 (93.0)	4.39 (11.5)	5.41 (137.4)
C	2.38 (60.4)	2.62 (66.6)	3.00 (76.2)	3.62 (92.0)
D	.94 (23.9)	1.06 (26.9)	1.25 (31.8)	1.62 (41.2)
E	.47 (11.9)	.53 (13.5)	.62 (15.8)	.81 (20.6)
F	1/4" Pipe	3/8" Pipe	1/2" Pipe	3/4" Pipe
G	2.25 (57.2)	2.38 (60.4)	2.62 (66.6)	3.25 (82.6)
H	1.12 (28.4)	1.19 (30.2)	1.31 (33.3)	1.62 (41.2)
J	2.63 (66.8)	3.13 (79.5)	3.72 (94.5)	4.56 (115.8)
K	1.31 (33.3)	1.56 (39.6)	1.86 (47.2)	2.28 (57.9)
L	.34 (8.6)	.34 (8.6)	.41 (10.4)	.41 (10.4)
M	1.12 (28.4)	1.12 (28.4)	1.25 (31.8)	1.56 (39.6)
N	.25 (6.4)	.25 (6.4)	.31 (7.9)	.31 (7.9)
R1	6.78 (172.2)	6.78 (172.2)	8.10 (205.7)	10.73 (272.5)
R2	4.51 (114.6)	4.65 (18.1)	4.85 (123.2)	6.03 (153.2)

**M054 Ball Detent, Small Bracket**

**4-Way**



Inches (mm)

	1/4	3/8	1/2	3/4
A	8.86 (225.0)	10.20 (259.1)	11.74 (298.2)	14.96 (380.0)
A1	10.01 (254.2)	11.17 (283.7)	12.77 (324.4)	15.62 (396.8)
B	4.00 (101.6)	4.57 (116.1)	5.44 (138.2)	6.76 (171.7)
C	2.38 (60.4)	2.62 (66.6)	3.00 (76.2)	3.62 (92.0)
D	.94 (23.9)	1.06 (26.9)	1.25 (31.8)	1.62 (41.2)
E	.47 (11.9)	.53 (13.5)	.62 (15.8)	.81 (20.6)
F	1/4" Pipe	3/8" Pipe	1/2" Pipe	3/4" Pipe
G	2.25 (57.2)	2.38 (60.4)	2.62 (66.6)	3.25 (82.6)
H	1.12 (28.4)	1.19 (30.2)	1.31 (33.3)	1.62 (41.2)
J	4.14 (105.2)	4.98 (126.5)	5.85 (148.6)	7.39 (187.7)
K	2.07 (52.6)	2.49 (63.2)	2.92 (74.2)	3.69 (93.7)
L	.34 (8.6)	.34 (8.6)	.41 (10.4)	.41 (10.4)
M	1.12 (28.4)	1.12 (28.4)	1.25 (31.8)	1.56 (39.6)
N	.25 (6.4)	.25 (6.4)	.31 (7.9)	.31 (7.9)
P	2.12 (53.8)	2.18 (55.4)	2.63 (66.8)	3.06 (77.7)
R1	6.78 (172.2)	6.78 (172.2)	8.10 (205.7)	10.73 (272.5)
R2	4.51 (114.6)	4.65 (18.1)	4.85 (123.2)	6.03 (153.2)



For inventory, lead time, and kit lookup, visit [www.pdnplu.com](http://www.pdnplu.com)

E51

**Parker Hannifin Corporation**  
 Pneumatic Division  
 Richland, Michigan  
[www.parker.com/pneumatics](http://www.parker.com/pneumatics)

Directair 2  
& 4 Series

Viking Xtreme  
Lever Series

42 Lever/  
Pedal Series

MO Series

Safety



Manual / Mechanical  
Valves

Brass Poppet /  
Sliding Seal

Control Panel  
Products

Sensing

**Features**

**Parker is protecting your most valuable assets...**



Standard 190.147

- This applies to the servicing and maintenance of a machine or equipment.
- Any new, replacement, repair, or renovation to a machine must include an energy isolation device that can accept a lock out device.
- Lock out devices should not be used for any other purposes
- Verification of energy isolation is required



Standard Z244

- This applies to all machines
- Lockout / tagout is the primary method of hazardous energy control
- Machines shall be designed, manufactured, supplied, and installed with energy isolating devices



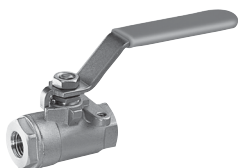
B11.0  
B11.TR6

- B11.0 applies to a broad range of machines, B11.TR6 is specific to machine tools, and B155.1 is specific to packaging and converting machines
- Energy isolating device shall:
  - Be capable of being locked in the OFF position only
  - Be easy to operate
  - Have an exhaust port equal or greater than its supply port
  - Have a pressure indicator that is visible to an operator to verify line is relieved of pressure



B155.1

**...By offering the best in pneumatic safety for machine maintenance:**



**Traditional Ball Valve**

- Not a dedicated energy isolation device** ✘
- Not a full exhaust port ✘
- No verification of line exhaust ✘
- Can be locked ON ✘
- Not easily identifiable ✘



**Parker Solution**

- ✓ Dedicated energy isolation device**
- ✓ Full exhaust port**
- ✓ Verification of line exhaust**
- ✓ Only lockable in OFF position**
- ✓ Easily identifiable**



For inventory, lead times, and kit lookup, visit [www.pdnplu.com](http://www.pdnplu.com)

Directair 2 & 4 Series  
 Viking Xtreme Lever Series  
 42 Lever / Pedal Series  
 MO Series  
 Safety  
 Manual / Mechanical Valves  
 Brass Poppet / Sliding Seal  
 Control Panel Products  
 Sensing

## LV / LVSS Series

Lockout valves are installed in pneumatic drop legs, or individual pneumatic control lines. In accordance with OSHA procedures, lockout valves are used during maintenance and service procedures of pneumatically (air) operated equipment.

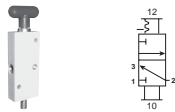
- Used for compliance with OSHA 29 CFR part 1910
- 1/4" to 2" pipe sizes. NPT or BSPP
- Yellow cast aluminum body with red handle or stainless steel (NACE MR0175 / ISO 15156)
- Inline or surface mountable
- Built in port for pressure verification to meet ANSI B11 and PMMI B155 requirements

### Material specifications

Description	LV	LVSS
Body:	Cast aluminum alloy	Stainless steel
Handle:	Plastic	Stainless steel
Spool:	Aluminum	Stainless steel
Seals:	Carboxylated nitrile	Carboxylated nitrile
Detent spring:	Stainless steel	Stainless steel
Grease:	Magnalube G <sup>†</sup>	Magnalube G <sup>†</sup>

<sup>†</sup> Trademark Magnalube

### Compact



Port in/out	Port exhaust	SCFM in/out	SCFM exhaust	Wt (lb)	Part number *
1/4	3/8	41.8	40.7	0.9	LV2N3B
3/8	3/8	60.7	60.7	0.9	LV3N3B

### Standard



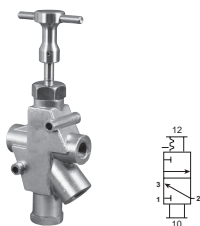
Port in/out	Port exhaust	SCFM in/out	SCFM exhaust	Wt (lb)	Part number *
3/8	3/4	107.7	81.1	2.0	LV3N6B
1/2	3/4	161.4	90.9	2.0	LV4N6B
3/4	3/4	187.7	93.2	2.0	LV6N6B
3/4	1-1/4	297.7	204	3.2	LV6NAB
1	1-1/4	375	216	3.2	LV8NAB
1-1/4	1-1/4	436.4	221	3.2	LVANAB

### High Flow



Port in/out	Port exhaust	SCFM in/out	SCFM exhaust	Wt (lb)	Part number *
1-1/2	2	761.4	1156	8.2	LVBNCB
2	2	918.2	1186	8.2	LVCNCB

### Stainless Steel



Port in/out	Port exhaust	SCFM in/out	SCFM exhaust	Wt (lb)	Part number *
1/4	1/4	48.6	47.2	3.8	LV2N2BSS
3/8	1/2	131.6	142	6.0	LV3N4BSS
1/2	1/2	124.8	142	6.0	LV4N4BSS
3/4	1	325	386	13	LV6N8BSS
1	1	325	386	13	LV8N8BSS
1-1/2	2	889	1023	35	LVBNCBSS
2	2	889	1023	35	LVCNCBSS

\* For BSPP ports, change 4th digit from "N" to "B"

Most popular.



### Operating information

Operating pressure:	LV	LVSS
Compact	15 to 145 PSIG	-
Standard	15 to 300 PSIG	15 to 300 PSIG
High flow	15 to 300 PSIG	-
Operating temperature:	40°F to 175°F	30°F to 175°F
Operating media:	Clean, dry, compressed air (5 micron)	



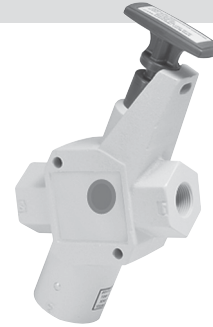
For inventory, lead time, and kit lookup, visit [www.pdnplu.com](http://www.pdnplu.com)



**Features / Part Numbers**

**EZ Series**

The EZ series meets all the same standards as the LV series with the added feature of a soft start when opened. There are still 2 detented positions for the handle (push close, pull to open), but when pulled open, an adjustable needle valve controls the rate of pressure build-up. This can protect equipment during start up after maintenance. The EZ is distinguishable from the LV series by the blue dot on the label.



3/4" Exhaust Shown

**Features**

- Combines lockout and soft-start functions in a single unit
- Used in systems for compliance with OSHA standard 29 CFR part 1910
- 3/8 Inch to 1-1/4 inch pipe sizes
- Cv's from 3.7 to 13.7
- 3/4 and 1-1/4 inch: exhaust ports available
- Exhaust port threaded for installation of silencer or line for remote exhausting
- Inline or surface mountable
- Yellow cast aluminum body with red handle. Blue dot on body indicates EZ Series valve

**Operating information**

Operating pressure:	Standard	15 to 300 PSIG
Operating temperature:		40°F to 175°F
Operating media:		Clean, dry, compressed air (5 micron)

**Material specifications**

**Description**

Body:	Cast aluminum alloy
Handle:	Plastic
Spool:	Aluminum
Seals:	Carboxylated nitrile
Detent spring:	Stainless steel
Grease:	Magnalube G <sup>†</sup>

<sup>†</sup> Trademark Magnalube

**EZ Series**

	Port in/out	Port exhaust	SCFM in/out	SCFM exhaust	Wt (lb)	Part number *
	3/8	3/4	136.4	181	2.1	<b>EZ03NB6</b>
	1/2	3/4	161.4	189	2.1	<b>EZ04NB6</b>
	3/4	3/4	181.9	216	2.1	<b>EZ06NB6</b>
	3/4	1-1/4	272.7	248	3.2	<b>EZ06NBA</b>
	1	1-1/4	311.4	273	3.2	<b>EZ08NBA</b>
	1-1/4	1-1/4	368.2	291	3.2	<b>EZ0ANBA</b>

\* For BSPP ports, change 5th digit from "N" to "B"

Most popular.



For inventory, lead times, and kit lookup, visit [www.pdnplu.com](http://www.pdnplu.com)

Directair 2 & 4 Series  
 Viking Xtreme Lever Series  
 422 Lever / Pedal Series  
 MO Series  
 Safety  
 Manual / Mechanical Valves  
 Brass Poppet / Sliding Seal  
 Control Panel Products  
 Sensing

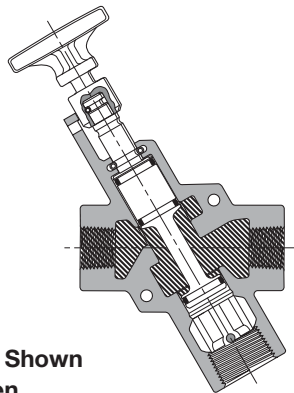
**Applications**

Lockout valves are installed in pneumatic drop legs, or individual pneumatic control lines (see Figure 1). In accordance with OSHA procedures, EZ valves are used during maintenance and service procedures of pneumatically (air) operated equipment. Prior to servicing, the red handle is pressed inward, blocking pressure and relieving all downstream air pressure. A padlock is installed through the locking hasp, preventing accidental actuation during the maintenance procedure. Following maintenance, the padlock is removed and the red handle is pulled outward, gradually returning air pressure to the system. (For complete Lockout / Tagout procedures, consult OSHA Standard 29 CFR Part 1910 in U.S. Federal Register/Vol. 54 No. 169, Friday, September 1, 1989 / Page 36644.)

**LV / LVSS Operation**

**Normal Machine Operation – Valve Open**

With the handle pulled outward. Inlet Port 1 is open to outlet Port 2. Exhaust Port 3 is blocked.

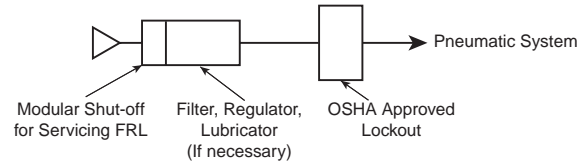


**LV Series Shown Open**

**Mounting**

Valves can be inline mounted or surface mounted using the two mounting holes provided in the valve body. Mount valves in plain view with the handle oriented for accessibility.

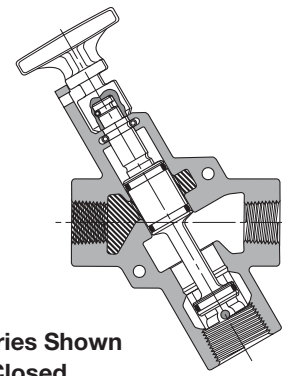
**Placement of Lockout Device**



**Figure 1.**

**Lockout Operation – Valve Closed**

With the handle pushed inward. Inlet Port 1 is blocked. Outlet Port 2 is open to Exhaust Port 3.

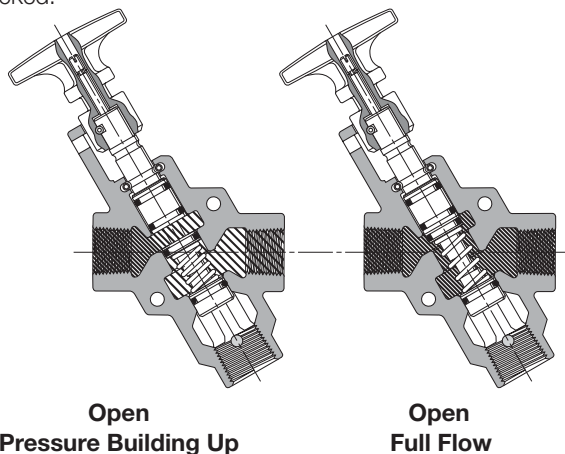


**LV Series Shown Closed**

**EZ Operation**

**Normal Machine Operation – Valve Open**

When the red handle is pulled outward, the adjustable needle valve (accessed through the top of the handle) setting determines the rate of pressure buildup. When downstream pressure reaches the full flow described in the specifications below, Inlet Port 1 is open to outlet Port 2. Exhaust Port 3 is blocked.

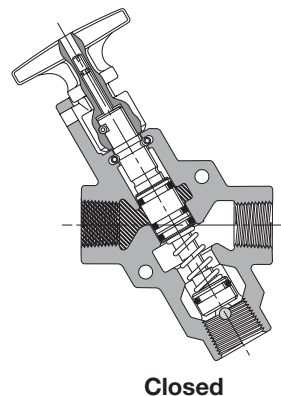


**Open Pressure Building Up**

**Open Full Flow**

**Lockout Operation – Valve Closed**

When the red handle is pushed inward, the Inlet Port 1 is blocked. Downstream air is exhausted through Exhaust Port 3.



**Closed**



For inventory, lead time, and kit lookup, visit [www.pdnplu.com](http://www.pdnplu.com)

Directair 2 & 4 Series
Viking Xtreme Lever Series
42 Lever / Pedal Series
MO Series
Safety
Manual / Mechanical Valves
Brass Poppet / Sliding Seal
Control Panel Products
Sensing



**Accessories**

**Corrosion resistant mufflers for harsh environments**



Port size	Construction	Threads	Dimensions In. (mm)		Part number
			Width	Length	
1/4	Stainless steel	Male, NPT	0.56 (14.2)	1.75 (44.5)	<b>5500A2004</b>
1/2	Stainless steel	Male, NPT	0.87 (22.1)	2.75 (69.7)	<b>5500A4004</b>
1	Stainless steel	Male, NPT	1.31 (33.3)	3.87 (98.3)	<b>5500B6004</b>
2	Nickel plated	Male, NPT	2.37 (60.2)	5.50 (139.7)	<b>5500A9004*</b>

\* Nickel plated

**High Flow Silencers**



Part number *	ES25MC	ES37MC	ES50MC	ES75MC	ES100MC	ES125MC	ES150MC	ES200MC
Pipe size	1/4	3/8	1/2	3/4	1	1-1/4	1-1/2	2
Flow (scfm)	129	219	549	893	1013	1486	1580	1580
Hex In. (mm)	0.63 (16)	1.00 (25)	1.00 (25)	1.62 (41)	1.62 (41)	—	—	2.99 (76)
Length In. (mm)	1.85 (47)	3.31 (84)	3.31 (84)	4.56 (116)	4.56 (116)	5.69 (145)	5.69 (145)	7.68 (195)

\* NPT ports standard, for BSPT ports, add a "B" after the "S"

**Pop-up Pressure Indicator**



**Brass** – Part # **988A30** – Can be used on all LV or EZ series to provide visual verification of line exhaust



**Stainless** – Part# **1155H30** – Can be used on SS LV series to provide visual verification of line exhaust

**Pressure Switch**



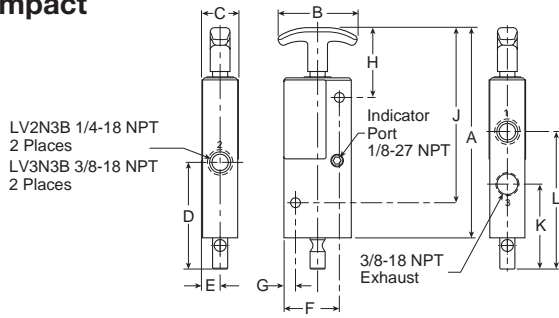
- Part # **PPS1-2C3-RHM** (DIN 9.4mm connector)
- Part # **PPS1-2C3-RWL** (18" leads)
- Signal verification of line exhaust
- Field adjustable set point



Directair 2 & 4 Series  
 Viking Xtreme Lever Series  
 42 Lever / Pedal Series  
 MO Series  
 Safety  
 Manual / Mechanical Valves  
 Brass Poppet / Sliding Seal  
 Control Panel Products  
 Sensing

**LZ Series, Exhaust Port - Compact, Standard, High Flow**

**Compact**

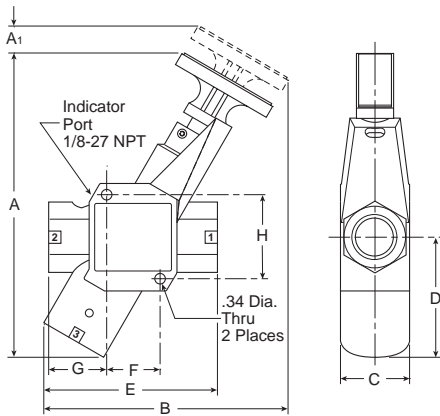


**Compact LV Series, 3/8" Exhaust Port Dimensions**

A	B	C	D	E	F
6.50 (165)	2.25 (57)	1.05 (27)	3.04 (77)	.51 (13)	1.58 (40)
G	H	J	K	L	
.33 (8)	1.99 (51)	4.99 (127)	2.42 (62)	3.92 (100)	

Inches (mm)

**Standard**



**Compact LV Series, 3/4" Exhaust Port Dimensions**

A	A <sub>1</sub>	B	C	D	E
8.32 (211)	0.64 (16)	6.60 (168)	2.00 (51)	3.06 (78)	4.24 (108)
F	G	H			
1.32 (111)	1.56 (40)	2.21 (56)			

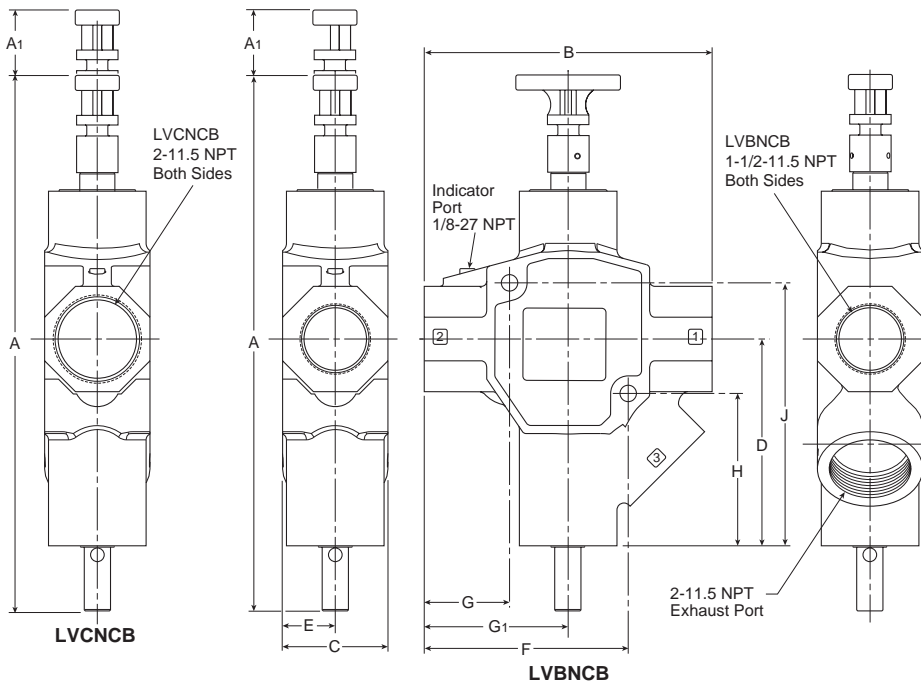
Inches (mm)

**Compact LV Series, 1-1/4" Exhaust Port Dimensions**

A	A <sub>1</sub>	B	C	D	E
9.91 (252)	0.85 (22)	7.95 (202)	2.25 (57)	3.91 (99)	5.65 (144)
F	G	H			
1.74 (44)	1.89 (48)	2.74 (70)			

Inches (mm)

**High Flow**



**High Flow LV Series, 2" Exhaust Port Dimensions**

A	A <sub>1</sub>	B
14.82 (376)	1.87 (47)	8.20 (208)
C	D	E
3.00 (76)	5.89 (150)	1.50 (38)
F	G	G <sub>1</sub>
5.81 (148)	2.43 (62)	4.10 (104)
H	J	
4.34 (110)	7.49 (190)	

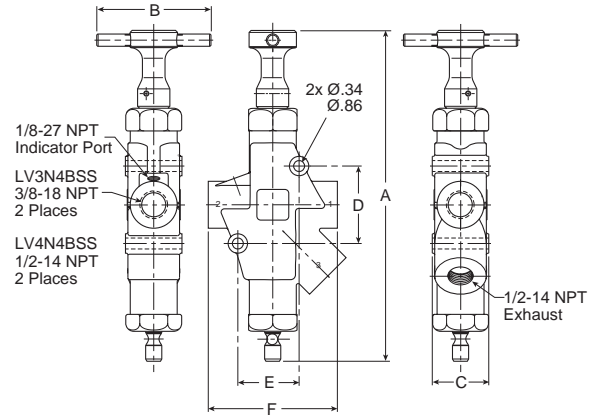
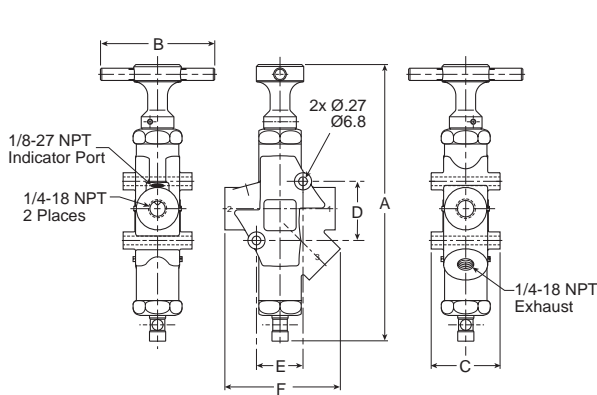
Inches (mm)

**Dimensional Data**

**LV Lockout, Stainless Steel**

**LZ Series, Exhaust Port - Compact, Standard, High Flow**

**Stainless Steel**



**Stainless Steel LV Series, 1/4" Exhaust Port Dimensions**

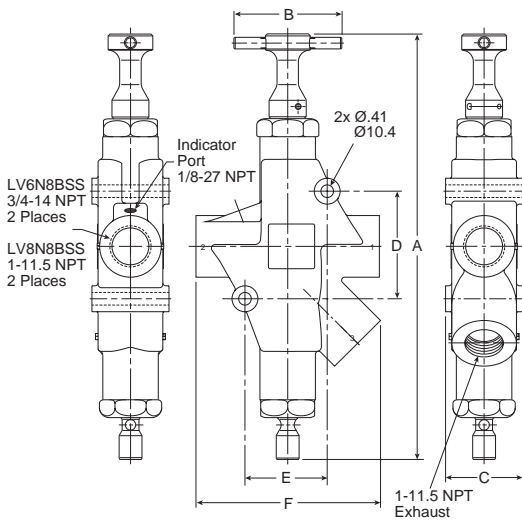
A	B	C	D	E	F
8.47	3.50	2.11	1.81	1.43	3.54
(215)	(89)	(54)	(46)	(36)	(90)

Inches (mm)

**Stainless Steel LV Series, 1/2" Exhaust Port Dimensions**

A	B	C	D	E	F
10.24	3.50	1.75	2.40	190	4.00
(260)	(89)	(45)	(61)	(48)	(102)

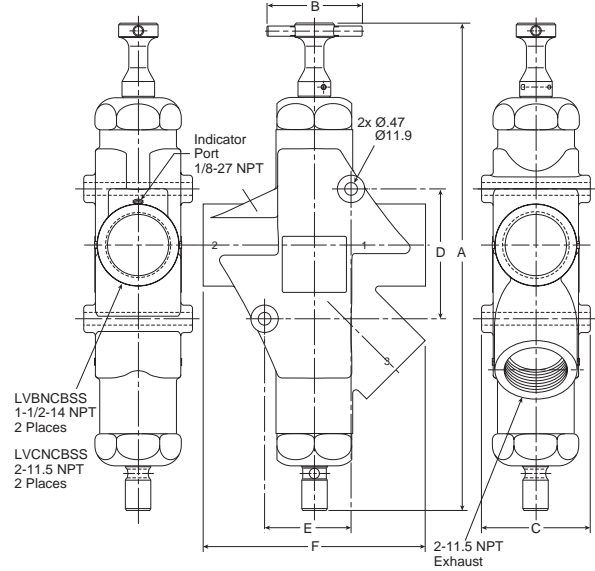
Inches (mm)



**Stainless Steel LV Series, 1" Exhaust Port Dimensions**

A	B	C	D	E	F
13.80	3.50	2.50	3.49	2.67	5.99
(351)	(89)	(64)	(89)	(68)	(152)

Inches (mm)



**Stainless Steel LV Series, 2" Exhaust Port Dimensions**

A	B	C	D	E	F
17.92	3.50	4.00	4.77	3.18	8.16
(455)	(89)	(102)	(121)	(81)	(207)

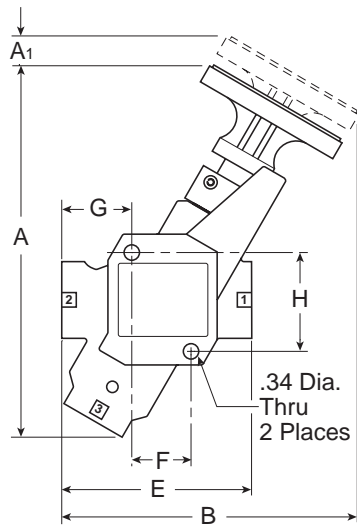
Inches (mm)



For inventory, lead times, and kit lookup, visit [www.pdnplu.com](http://www.pdnplu.com)

Directair 2 & 4 Series  
 Viking Xtreme Lever Series  
 42 Lever / Pedal Series  
 M0 Series  
 Safety  
 Manual / Mechanical Valves  
 Brass Poppet / Sliding Seal  
 Control Panel Products  
 Sensing

**EZ Series, Exhaust Port - Standard Flow**



**EZ 3/4" Exhaust Port Dimensions**

A	A1	B	C	D
8.32 (211)	0.64 (16)	6.60 (168)	2.00 (51)	3.06 (78)

E	F	G	H
4.24 (108)	1.32 (111)	1.56 (40)	2.21 (56)

Inches (mm)

**EZ 1-1/4" Exhaust Port Dimensions**

A	A1	B	C	D
9.91 (252)	0.85 (22)	7.95 (202)	2.25 (57)	3.91 (99)

E	F	G	H
5.65 (144)	1.74 (44)	1.89 (48)	2.74 (70)

Inches (mm)

Directair 2  
& 4 Series

Viking Xtreme  
Lever Series

42 Lever/  
Pedal Series

MO Series

Safety



Manual / Mechanical  
Valves

Brass Poppet /  
Sliding Seal

Control Panel  
Products

Sensing



For inventory, lead time, and kit lookup, visit [www.pdnplu.com](http://www.pdnplu.com)

Features

Manual / Mechanical Products  
Two-Hand Controls

Two-Hand Controls

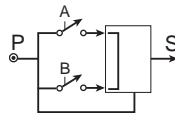
Two-Hand Controls

- The pre-assembled two-hand control enclosure occupies both hands of an operator by requiring nearly simultaneous operation of two pushbuttons
- Poppet – snap-acting (no spools)
- Same air as in cylinders – Filtration: 40 micron
- No lubrication required



Part number	Connection
PXPC111	5/32" Instant

Operation



- Output "S" will appear only if "A" and "B" are simultaneously operated (within .5 seconds or less of each other).
- If the operator actuates only one pushbutton, either "A" or "B", or if both "A" and "B" are actuated but at an interval greater than .5 seconds, output "S" will not appear.
- Output "S" is regenerated by supply "P". Output "S" will therefore disappear if supply "P" is cut off.
- Output "S" will disappear if either "A" or "B" is released.
- If output "S" disappears for any reason, "A" and "B" must be nearly simultaneously actuated to again provide output "S".
- Since output "S" is regenerated it appears sharply, at full force (snap-acting), and is quickly exhausted upon deactivation. In addition the module is not affected by the length or diameter of tubing used for output "S".

General Characteristics

Operating Pressure	40 to 120 PSI (3 to 8 bar)
Permissible Fluids –	Air or neutral gas 40 micron filtration, lubricated or dry
Flow at 90 PSI (6 bar)	7 SCFM (200 l/mn ANR)
Operating Temperature	-5°F to 140°F (-15°C to 60°C)
	Below 40°F (5°C), an air dryer is required
Storage Temperature	-40°F to 160°F (-40°C to 70°C)
Number of operations with dry air at 90 PSI (6 bar), 68°F (20°C), frequency 1 Hz	1 Million Operations
Vibration resistance –	Conforms to section 19-2 of bureau Véritas regulations (November 1987)
Materials –	Body Glass Filled Nylon
	Operating Head Zinc Alloy and Plastic
Connections:	5/32" instant

Mounting

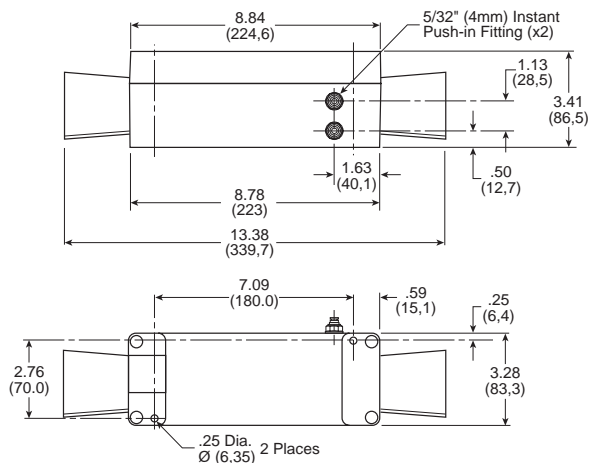
Approvals:

- In accordance with European Standard EN 574 - September 1996
- Conforms to the model that has obtained CE Type Test Certificate No. 02526 520 4631 0397

**WARNING**

These devices should **NOT** be used in any application involving rotary clutch presses. Two hand control modules do not of themselves insure the safety of any machine. Users and original equipment manufacturers are responsible for making sure that installations meet all relevant safety regulations.

**Notes:** These two-hand control modules provide an output signal upon nearly concurrent operation of two pushbuttons.



Inches (mm)



For inventory, lead times, and kit lookup, visit [www.pdnplu.com](http://www.pdnplu.com)

Directair 2 & 4 Series

Viking Xtreme Lever Series

42 Lever / Pedal Series

M0 Series

Safety



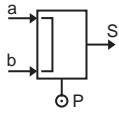
Manual / Mechanical Valves

Brass Poppet / Sliding Seal

Control Panel Products

Sensing

**Two-Hand Control Module**

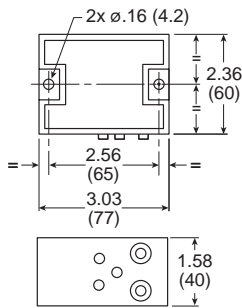


S = Output  
 AdB = Momentary input  
 P = Pressure supply



**PXPA11**

Part number	Connection
<b>PXPA11</b>	5/32" Instant



**Specifications**

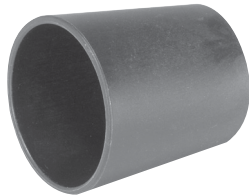
Air Quality –	Standard Shop Air, Lubricated or Dry 40 µm Filtration	
Materials –	Body	Polyamide
	Operating Head	Zinc Alloy & Plastic
Flow at 90 PSI (6 bar) in SCFM (l/mn ANR)	7 (200)	
Number of Operations with Dry Air at 90 PSI (6 bar) and 68°F (20°C) - Frequency 1 Hz	1 million Operations	
Operating Positions	All Positions	
Operating Pressure –	15 to 115 PSIG (1 to 8 bar)	
Ports	5/32" Instant for Semi-Rigid Nylon or Polyurethane Tube	
Operating Temperature –	Operating	32°F to 122°F (0°C to 50°C)
	Storage	-22°F to 140°F (-30°C to 60°C)
Vibration resistance:	Conforms to section 19-2 of bureau Véritas regulations (November 1987)	

**⚠ WARNING**

These devices should **NOT** be used in any application involving rotary clutch presses. Two hand control modules do not themselves insure the safety of any machine. Users and original equipment manufacturers are responsible for making sure that installations meet all relevant safety regulations.

**Notes:** These two-hand control modules provide an output signal upon nearly concurrent operation of two pushbuttons.

**Two-Hand Control Module Guard**



**PPRL15**

Part number	Base component
<b>PPRL15</b>	<b>PXPC111</b>

**Two Hand Repair Parts**

Part number	Quantity required	Description
<b>PXPA11</b>	1	Control Module
<b>PXBB4931</b>	2	Valve Body & Mounting Ring
<b>ZB4BR*</b>	2	Push Button
<b>PPRL15</b>	2	Control Module Guard

\* 2 = Black, 3 = Green, 4 = Red



For inventory, lead time, and kit lookup, visit [www.pdnplu.com](http://www.pdnplu.com)





Features / Part Numbers

PL-VL Series Valves

PL / VL Series

These are 4-Way, 3-Position, rotary disc, direct-operated air valves. Two different types of control are offered. The forged bronze disc and the cast iron surface upon which the disc works are ground and lapped to provide a leak-proof seal. Air pressure from the inlet port is confined beneath the disc, making the seal tighter as the pressure increases, yet friction between the lapped surfaces is so low that only 15 pounds of force is required to move the lever at 100 PSI line pressure. The need for packing to seal around the stem is eliminated.

Valve can be furnished for gasketing to a manifold on customer's machine or with an adaptor for tapped bottom porting.

Valves are detented.

Operating handles may be installed in any of four positions.



Operating information

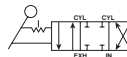
Operating pressure: 0 to 150 PSI (0 to 1035 kPa)

Temperature range: 18°F to 200°F (-8°C to 93°C)

Lubrication: Filtered and lubricated air recommended for maximum valve life and minimum maintenance.

PL Series Valves

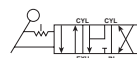
This type has a 90° lever movement. In neutral position, inlet is closed to pressure – outlets closed to exhaust. With clockwise (CW), inlet is connected to cylinder port directly opposite. Other cylinder port is connected to exhaust. With counterclockwise (CCW), inlet is connected to cylinder port diagonally opposite. Other cylinder port is connected to exhaust. Recommended for stationary air cylinders, arbor presses, and as a throttling valve for positioning air cylinders.



Port Size	Description	Cv	Part number	Optional Bottom Port Adapter	Optional Bottom Manifold
1/4" NPT	4-way, 3-position, detent, closed center	2.5	<b>PL25</b>	<b>PLD25</b>	<b>PLA25</b>
3/8" NPT	4-way, 3-position, detent, closed center	3.0	<b>PL37</b>	<b>PLD37</b>	<b>PLA37</b>
1/2" NPT	4-way, 3-position, detent, closed center	6.2	<b>PL50</b>	<b>PLD50</b>	<b>PLA50</b>

VL Series Valves

This type has a 90° lever movement. In neutral position, inlet is closed to pressure – outlets open to exhaust. With clockwise (CW), inlet is connected to cylinder port directly opposite. Other cylinder port is connected to exhaust. With counterclockwise (CCW), inlet is connected to cylinder port diagonally opposite. Other cylinder port is connected to exhaust. This valve is particularly suited for pneumatic chuck operation.



Port Size	Description	Cv	Part number	Optional Bottom Port Adapter	Optional Bottom Manifold
1/4" NPT	4-way, 3-position, detent, exhaust center	2.5	<b>VL25</b>	<b>VLD25</b>	<b>VLA25</b>
3/8" NPT	4-way, 3-position, detent, exhaust center	3.0	<b>VL37</b>	<b>VLD37</b>	<b>VLA37</b>
1/2" NPT	4-way, 3-position, detent, exhaust center	6.2	<b>VL50</b>	<b>VLD50</b>	<b>VLA50</b>

Optional Items and Accessories

Bottom Porting for gasket mounting to customer's manifold. Four holes are drilled (see following page for dimensions) through the base into the four port chambers. Side ports are plugged. Customer provides suitable means of gasketing. Specify Series PLA or VLA.

Bottom Ported Adaptor Plate, o-ring gasketed to base (four o-rings furnished). Adaptor plate has four drilled and tapped ports. Side ports are plugged. Specify Series PLD or VLD.

Service kits

Description	Valve size	Part number
<b>Lever assembly service kits</b>	PL25, PL25HP, PL37, PL37HP, VL25, & VL37	<b>PL2425P</b>
	PL50, PL50HP & VL50	<b>PL2424P</b>
<b>Body gasket</b>	PL25, PL25HP, PL37, PL37HP, VL25, & VL37	<b>P66837</b>
	PL50, PL50HP & VL50	<b>P66829</b>

Most popular.



For inventory, lead times, and kit lookup, visit [www.pdnplu.com](http://www.pdnplu.com)

Directair 2 & 4 Series

Viking Xtreme Lever Series

422 Lever / Pedal Series

MO Series

Safety

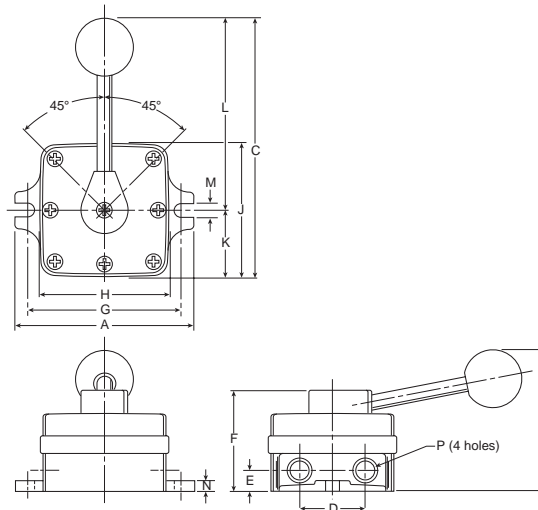


Manual / Mechanical Valves

Brass Poppet / Sliding Seal

Control Panel Products

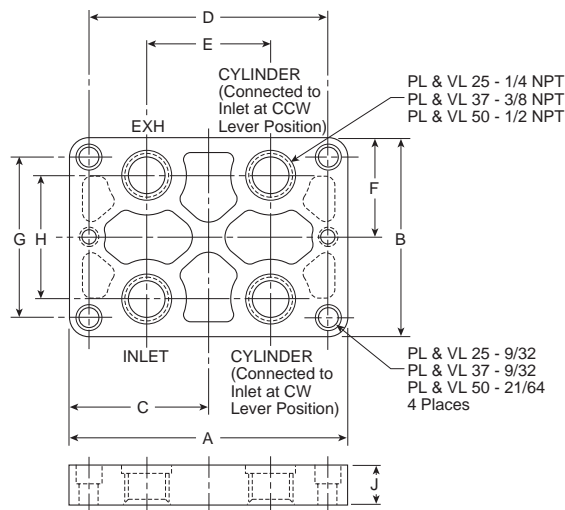
Sensing



**PL-VL Dimensions**

	A	B	C	D	E	F	G	H	J	K	L	M	N	P
<b>PL25</b>	4.75	3.81	6.81	1.69	.56	2.75	4.12	3.50	3.50	1.69	5.06	.34	.28	1/4
<b>VL25</b>	(121)	(97)	(173)	(43)	(14)	(70)	(105)	(89)	(89)	(43)	(129)	(9)	(7)	NPT
<b>PL37</b>	4.75	3.81	6.81	1.69	.56	.56	4.12	3.50	3.50	1.69	5.06	.34	.28	3/8
<b>VL37</b>	(121)	(97)	(173)	(43)	(14)	(14)	(105)	(89)	(89)	(43)	(129)	(9)	(7)	NPT
<b>PL50</b>	5.62	4.44	8.94	2.12	.66	3.25	5.00	4.38	4.38	2.12	6.75	.34	.34	1/2
<b>VL50</b>	(143)	(113)	(227)	(54)	(17)	(83)	(127)	(111)	(111)	(54)	(171)	(9)	(9)	NPT

inches (mm)



**Adapter Plate for Series PLD and VLD Dimensions**

	A	B	C	D	E	F	G	H	J
<b>PLD25</b>	4.75	3.38	2.38	4.12	2.19	1.69	2.75	2.06	.58
<b>VLD25</b>	(121)	(86)	(60)	(105)	(56)	(43)	(70)	(52)	(15)
<b>PLD37</b>	4.75	3.38	2.38	4.12	2.19	1.69	2.75	2.06	.58
<b>VLD37</b>	(121)	(86)	(60)	(105)	(56)	(43)	(70)	(52)	(15)
<b>PLD50</b>	5.62	4.25	2.81	5.00	2.59	2.12	3.62	2.81	.70
<b>VLD50</b>	(143)	(108)	(71)	(127)	(66)	(54)	(92)	(71)	(18)

inches (mm)



For inventory, lead time, and kit lookup, visit [www.pdnplu.com](http://www.pdnplu.com)

Directair 2  
& 4 Series

Viking Xtreme  
Lever Series

42 Lever/  
Pedal Series

M0 Series

Safety



Manual / Mechanical  
Valves

Brass Poppet /  
Sliding Seal

Control Panel  
Products

Sensing

Features / Part Numbers

HV Valve Series

HV Valve Series

- Compact and simple design
- Rotary disc, direct operated valves
- Side porting
- Detent action smooth lever actuation
- General pneumatic applications



Material specifications

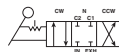
Cover	Zinc
Body	Aluminum
Seals	Polyurethane

Operating information

Operating pressure: 0 to 150 PSI (0 to 10 bar)  
 Temperature range: 32°F to 166°F (0°C to 60°C)  
 Lubrication: Filtered and lubricated air recommended for maximum valve life and minimum maintenance.

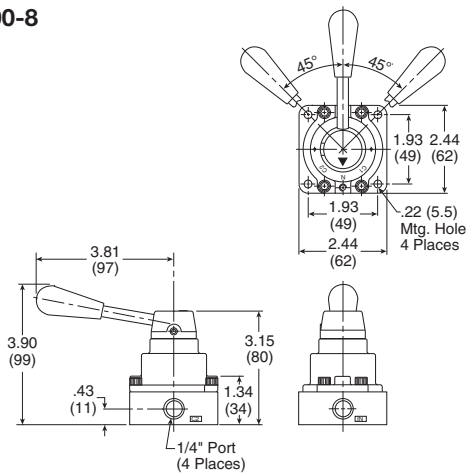
HV Series Valves

These closed center valves have a 90° lever movement. In neutral position, the inlet is closed to pressure and outlets are closed to exhaust. With clockwise (CW) rotation, inlet (IN) is connected to C2, C1 is connected to exhaust (EXH). With counter-clockwise (CCW) rotation, inlet (IN) is connected to C1, C2 is connected to exhaust (EXH). These valves are recommended for stationary air cylinders, and as throttling valves for positioning air cylinders. They are not to be used on punch presses or press brakes.

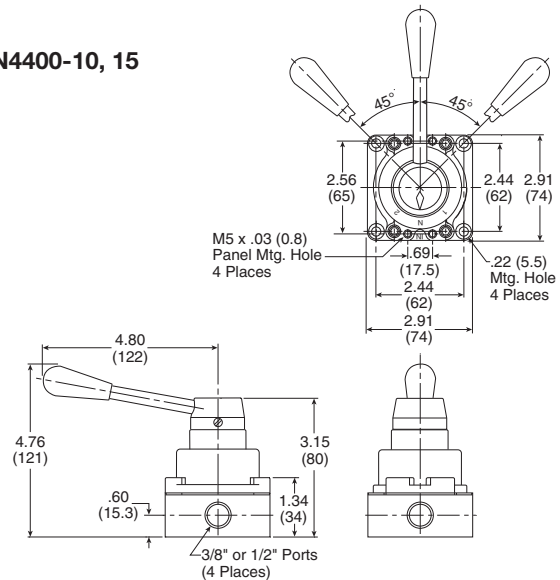


Port size	Description	Cv (ANSI)	Cv (JIS)	Part number
1/4" NPT	4-way, 3-position	0.5	0.4	<b>HVN4200-8</b>
3/8" NPT	4-way, 3-position	1.4	2.72	<b>HVN4400-10</b>
1/2" NPT	4-way, 3-position	1.5	3.26	<b>HVN4400-15</b>

HVN4200-8



HVN4400-10, 15



Service kits

Description	Valve size	Part number
Disk & seal service kits	HV4200	<b>HVRK420001</b>
	HV4400	<b>HVRK440001</b>

ANSI Cv vs. JIS Cv

For Pneumatic Valve flow, the measurement Cv – Coefficient of Flow – is used to convey to the user how much air can flow through a given valve. Most valve manufacturers publish this information in their catalogs to assist the user in choosing the proper valve for their application. In publishing this data however, there are discrepancies in how the Cv is calculated, resulting in some Cv's being OVERSTATED by 20 to 40%. This can adversely affect the user's application because the valve flows LESS than the published Cv.

The reason for the large discrepancy is in the method of calculation - the ANSI (NFPA) or the JIS standard. Parker's Cv valve is calculated using the ANSI (NFPA) T3.21.3-1990 standard. The ANSI (NFPA) method is a structured test using very specific tube sizes and lengths, inlet pressures and pressure drops, and volume chambers.

Most popular.



For inventory, lead times, and kit lookup, visit [www.pdnplu.com](http://www.pdnplu.com)

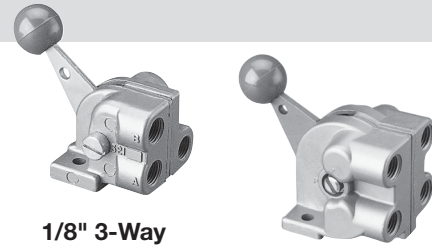
# Hand Operated Sliding Seal Valves

Sliding seal valves provide 3 or 4-Way directional control in a compact body size. Comfortable hand lever is easy to operate and maintains set position. Disc type valve has minimum number of moving parts. Valves should be used with filtered and lubricated air.

**CAUTION:**  
Install guards on all hand operated valves.  
Accidental operation can cause personal injury.

## Material specifications

Internal components	Brass, stainless steel
Body	Die cast zinc
Seals	Buna N



1/8" 3-Way

1/4" 4-Way

## Operating information

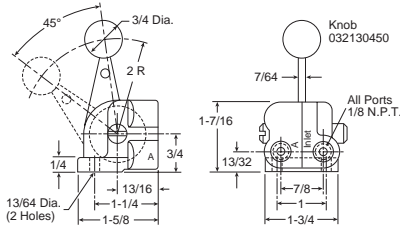
Operating pressure: Max. 200 PSIG air only  
Min. 26" Hg vacuum  
Temperature range: -40°F to 212°F (-40°C to 100°C)  
(If it is possible that the ambient temperature may fall below freezing, the medium must be moisture free to prevent internal damage or unpredictable behavior.)

## Hand Operated Sliding Seal Valve

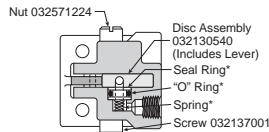
Symbol	Port size	Function	Cv (Avg)	Service kit*	Part number
	1/8"	3-way, 2-position, detented	0.54	<b>032130899</b>	<b>032130599</b>
	1/8"	4-way, 2-position, detented	0.54	<b>032130899</b>	<b>032140299</b>
	1/4"	3-way, 2-position, detented	1.25	<b>008230299</b>	<b>008230109</b>
	1/4"	4-way, 3-position, detented, center blocked	1.25	<b>008230299</b>	<b>008240109</b>

Note: 3-Way exhaust passage is through an untapped hole in bottom side of valve.

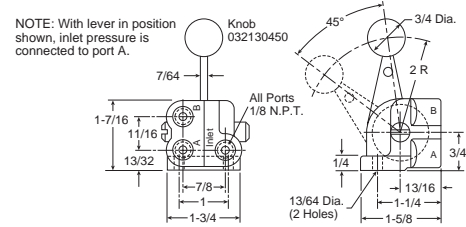
### 1/8" 3-Way 032130599



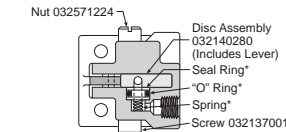
#### Service Kit 032130899\*



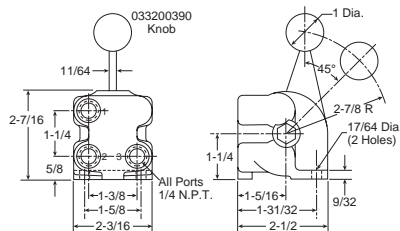
### 1/8" 4-Way 032140299



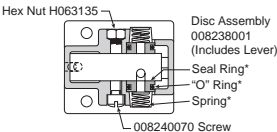
#### Service Kit 032130899\*



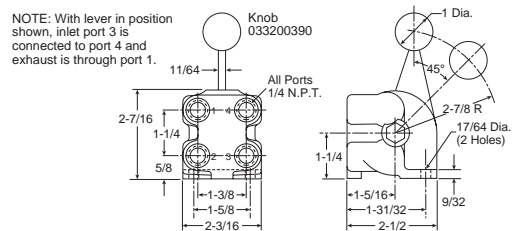
### 1/4" 3-Way 008230109



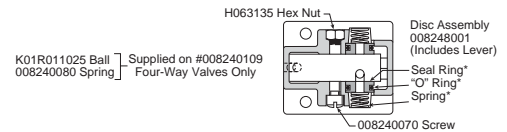
#### Service Kit 032130899\*



### 1/4" 4-Way 008240109



#### Service Kit 032130899\*



Most popular.

\* Service kits contain asterisk items



For inventory, lead time, and kit lookup, visit [www.pdnplu.com](http://www.pdnplu.com)

Directair 2  
& 4 Series

Viking Xtreme  
Lever Series

42 Lever/  
Pedal Series

M0 Series

Safety



Manual / Mechanical  
Valves

Brass Poppet /  
Sliding Seal

Control Panel  
Products

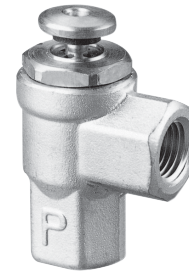
Sensing

**Features / Part Numbers**

**Button Operated Valves**

2 & 3-way normally closed poppet, 1/4" Port valve operates at the press of a button and may be installed in a pipe line or used as a portable blow gun attached to a length of hose.

**CAUTION:**  
 Install guards on all hand operated valves.  
 Accidental operation can cause personal injury.



**Material specifications**

Internal components	Brass, stainless and plated steel
Body	Brass
Seals	Buna N

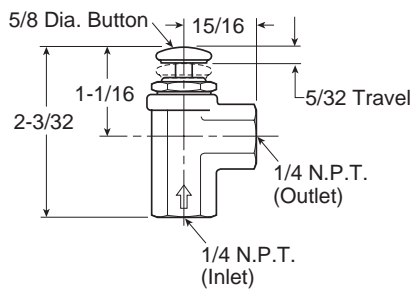
**Operating information**

Operating pressure:	Max. 150 PSIG air only Min. 0 PSIG
Temperature range:	-20°F to 180°F (-28°C to 82°C)

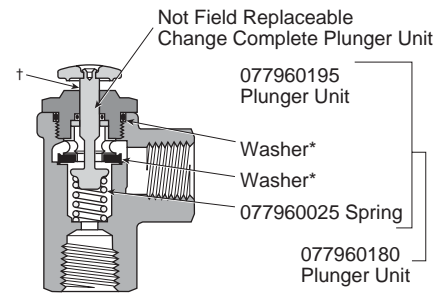
**Button Operated Valves**

	Port size	Function	Cv (Avg)	Old number	Service kit	Part number
	1/4"	2-way	0.94	7796SP1	<b>077960105</b>	<b>077960199</b>
	1/4"	3-way	0.94	8187	<b>077960105</b>	<b>081870129</b>

**Dimensions**



**Replacement Parts**



† 077960199 2-Way valve shown.  
 \* Included in service kits listed above.



For inventory, lead times, and kit lookup, visit [www.pdnplu.com](http://www.pdnplu.com)

Directair 2 & 4 Series  
 Viking Xtreme Lever Series  
 42 Lever / Pedal Series  
 MO Series  
 Safety  
 Manual / Mechanical Valves  
 Brass Poppet / Sliding Seal  
 Control Panel Products  
 Sensing

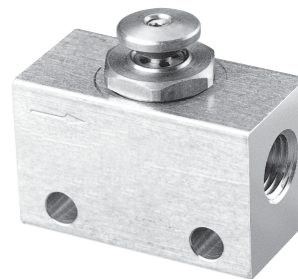
## Hand / Cam Operated Valves

Inline, button-operated, 2 & 3-way normally closed poppet, 1/4" port valve has mounting holes for single or gang mounting. Actuation by hand, cam or mechanical fingers. Valves should be used with filtered and lubricated air.



**CAUTION:**

Install guards on all hand operated valves. Accidental operation can cause personal injury.



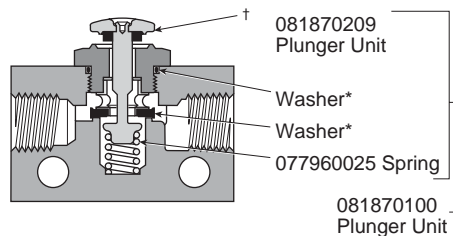
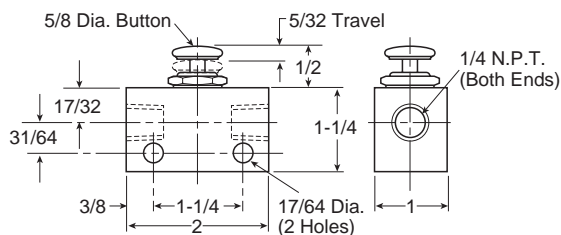
### Operating information

Operating pressure: Max. 150 PSIG air only  
Min. 0 PSIG  
Temperature range: -20°F to 180°F (-28°C to 82°C)

### Hand / Cam Operated Valves

	Port size	Function	Cv (Avg)	Old number	Service kit	Part number
	1/4"	2-way	0.94	7796SP5	<b>077960105</b>	<b>077960319</b>
	1/4"	3-way	0.94	8187SP1	<b>077960105</b>	<b>081870139</b>

### Replacement Parts



† 081870139 3-Way valve shown.  
\* Included in service kits listed above.



For inventory, lead time, and kit lookup, visit [www.pdnplu.com](http://www.pdnplu.com)

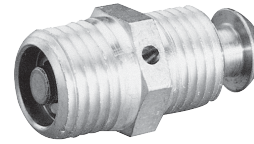
Directair 2 & 4 Series  
Viking Xtreme Lever Series  
42 Lever / Pedal Series  
MO Series  
Safety  
Manual / Mechanical Valves  
Brass Poppet / Sliding Seal  
Control Panel Products  
Sensing



Features / Part Numbers

**Bleed Valves**

This 2-way normally closed bleeder valve is an accessory that may be used with any double pilot-operated valve (bleed type). It provides manual or cam-operated control. A 1/4" pipe thread fits either the pilot valve port or the feeder airline. Opposite end has standard 1/2-20 thread for easy mounting on machine or panel. Valves should be used with filtered and lubricated air.



**Material specifications**

Internal components	Brass, stainless steel
Body	Brass
Seals	Fluorocarbon

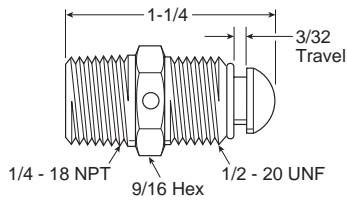
**Operating information**

Operating pressure:	Max. 150 PSIG air only Min. 0 PSIG
Temperature range:	-40°F to 450°F (-40°C to 232°C)

**Bleed Valves**

	Port size	Function	Part number
	1/4"	2-way	<b>315139000</b>

**Dimensions**



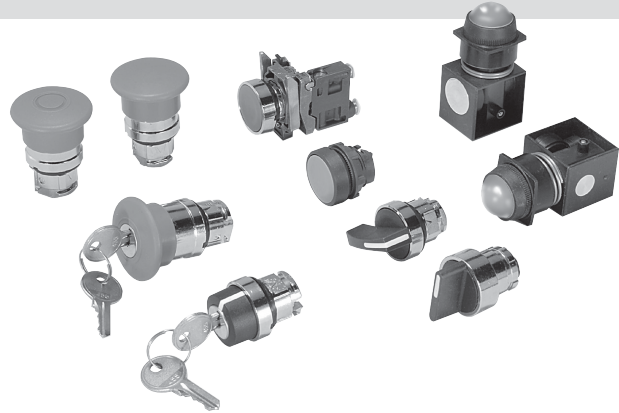
Directair 2 & 4 Series  
Viking Xtreme Lever Series  
4/2 Lever / Pedal Series  
MO Series  
Safety  
Manual / Mechanical Valves  
Brass Poppet / Sliding Seal  
Control Panel Products  
Sensing



For inventory, lead times, and kit lookup, visit [www.pdnplu.com](http://www.pdnplu.com)

## Control Panel Products

HUMAN-MACHINE DIALOG requires devices such as push buttons and selector switches to provide command inputs. A wide variety of these devices are available to meet most application needs; in both pneumatic and electrical switch bodies. All of these devices use the 22 mm (7/8") mounting standard.



### Complete Assemblies— 3/2 Valve Bodies with 5/32" Instant Straight Connections

#### Flush Push Buttons

	Color	Function	Type of switching*	Part number
	Black			<b>PXBB3111BA2</b>
	Green	Spring return	NNP	<b>PXBB3111BA3</b>
	Red			<b>PXBB3111BA4</b>
	Black	Spring return	NNP+NP	<b>PXBB3251BA2</b>
	Black			<b>PXBB4131BA2</b>
	Green	Spring return	Single universal 3-way	<b>PXBB4131BA3</b>
	Red			<b>PXBB4131BA4</b>
	Black	Spring return	Dual universal 3-way	<b>PXBB4231BA2</b>

\* Type of switching: Universal 3-way: valve can be connected either as NP or NNP as required by connecting the primary air supply to port 1 or port 3.

**Note:** Mount up to three valves on mounting ring.

#### Mushroom Head Push Buttons (40mm Diameter)

	Color	Function	Type of switching*	Part number
	Black	Spring return	NNP	<b>PXBB3111BC2</b>
	Red	Push-pull		<b>PXBB3111BT4</b>
	Red	Push-pull	NP	<b>PXBB3121BT4</b>
	Black	Spring return	Single universal 3-way	<b>PXBB4131BC2</b>
	Red	Push-pull		<b>PXBB4131BT4</b>

\* Type of switching: Universal 3-way: valve can be connected either as NP or NNP as required by connecting the primary air supply to port 1 or port 3.

**Note:** Mount up to three valves on mounting ring.

#### Selector Switches

	Color	Function	Type of switching*	Part number
	Black	2 maintained positions with std. handle	NNP	<b>PXBB3111BD2</b>
	Black		NNP+NP	<b>PXBB3211BD2</b>
	Black		NNP+NP	<b>PXBB3251BD2</b>
	Black	3 maintained positions with std. handle	NNP+NP	<b>PXBB3211BD3</b>
	Black		NNP+NP	<b>PXBB3251BD3</b>
	Black	3 positions, spring return to center with long handle	NNP+NP	<b>PXBB3211BJ5</b>
	Black	2 maintained positions with std. Handle	Single universal 3-way	<b>PXBB4131BD2</b>
	Black	2 maintained positions with std. handle	Dual universal 3-way	<b>PXBB4231BD2</b>
	Black	3 maintained positions with std. handle	Dual universal 3-way	<b>PXBB4231BD3</b>
	Black	3 maintained positions with long handle	Dual universal 3-way	<b>PXBB4231BJ5</b>

\* Type of switching: Universal 3-way: valve can be connected either as NP or NNP as required by connecting the primary air supply to port 1 or port 3.

Most popular.







For inventory, lead time, and kit lookup, visit [www.pdnplu.com](http://www.pdnplu.com)

**Accessories**

**Control Panel Products**




**For Use With PXBB Valve Bodies and ZBE Electrical Switch Bodies**

**Push Buttons**

	Color	Function	Type	Plastic head**	Metal head*
				<b>Part number</b>	
	Black	Spring return	Flush	<b>ZB5AA2</b>	<b>ZB4BA2</b>
	Green			<b>ZB5AA3</b>	<b>ZB4BA3</b>
	Red			<b>ZB5AA4</b>	<b>ZB4BA4</b>
	Yellow			—	<b>ZB4BA5</b>
	Blue			—	<b>ZB4BA6</b>
Black	<b>ZB5AL2</b>			<b>ZB4BL2</b>	
	Green	Spring return	Extended	<b>ZB5AL3</b>	<b>ZB4BL3</b>
	Red			<b>ZB5AL4</b>	<b>ZB4BL4</b>
	Yellow			—	<b>ZB4BL5</b>
	Black	Spring return	Booted	—	<b>ZB4BPA2</b>
	Green			—	<b>ZB4BPA3</b>
	Red			—	<b>ZB4BPA4</b>
	Black	Detent 2 position	Flush	—	<b>ZB4BH02</b>
	Green			—	<b>ZB4BH03</b>
	Red			—	<b>ZB4BH04</b>

\* ZB4\*\*\* model numbers are metal head operators  
 \*\* ZB5\*\*\* model numbers are plastic head operators, use with plastic mounting ring.



**Mushroom Head Push Buttons**

	Color	Function	Description	Part number*
	Black	Spring return	Ø 40mm head	<b>ZB4BC2</b>
	Green			<b>ZB4BC3</b>
	Red			<b>ZB4BC4</b>
	Black	Latching push-pull	Ø 60mm head	<b>ZB4BT2</b>
	Red			<b>ZB4BT84</b>
	Black	Spring return	Ø 60mm head	<b>ZB4BR2</b>
	Green			<b>ZB4BR3</b>
	Red			<b>ZB4BR4</b>

\* ZB4\*\*\* model numbers are metal head operators






**For Push Buttons and Visual Indicators**

**Mounting Ring for Valve Bodies, Switch Bodies and Operating Heads**

Description	Part number
 Metal mounting ring	<b>ZB4BZ009</b>
 Plastic mounting ring	<b>ZB5AZ009</b>

**Note:** To release push button from mounting ring, pull lever on top of mounting ring up and remove push button operator. To assemble push button operator to mounting ring, align arrows and snap into place.

**Selector Switches**

Standard black handle			
Description	Function	Part number*	
Maintained	2 positions	<b>ZB4BD2</b>	
Spring return from right to left		<b>ZB4BD4</b>	
Maintained	3 positions	<b>ZB4BD3</b>	
Spring return to center from left and right		<b>ZB4BD5</b>	
Maintained right spring return from left to center	3 positions	<b>ZB4BD7</b>	
Maintained left spring return from right to center	3 positions	<b>ZB4BD8</b>	
Long Black Handle			
Maintained	2 positions	<b>ZB4BJ2</b>	
Spring return from right to left		<b>ZB4BJ4</b>	
Maintained	3 positions	<b>ZB4BJ3</b>	
Spring return to center from left and right		<b>ZB4BJ5</b>	

\* ZB4\*\*\* model numbers are metal head operators

**Key Operated Selectors**

Key withdrawal	Function	Part number*
Left	2 maintained positions	<b>ZB4BG2</b>
Left and right		<b>ZB4BG4</b>
Center	3 maintained positions	<b>ZB4BG3</b>
Left and right		<b>ZB4BG5</b>
Center	3 positions 2 spring return to center	<b>ZB4BG7</b>

\* ZB4\*\*\* Model numbers are metal head operators

**Mushroom Head Push Buttons with Key Select**

Color	Function	Description	Part number*
Red	Latching turn to release	Ø 40mm head	<b>ZB4BS844</b>
Red	Key latching		<b>ZB4BS944</b>

\* ZB4\*\*\*\* model numbers are metal head operators

 Most popular.



For inventory, lead times, and kit lookup, visit [www.pdnplu.com](http://www.pdnplu.com)

Directair 2 & 4 Series

Viking Xtreme Lever Series

42 Lever / Pedal Series

M0 Series

Safety



Manual / Mechanical Valves

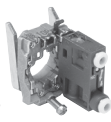
Brass Poppet / Sliding Seal

Control Panel Products

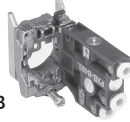
Sensing

**For Use With 2B4\*\*\* Metal Operating Heads**

**3/2 Valve Bodies with Mounting Ring**



PXBB3111B



PXBB4131B

Connections	Function	Type of switching*	Part number
5/32" Instant	3/2	NNP	<b>PXBB3111B</b>
5/32" Instant	3/2	NP	<b>PXBB3121B</b>
5/32" Instant	3/2	Universal 3-way	<b>PXBB4131B</b>

\* NNP: Normally non-passing.

Note: Mount up to 3 valves on mounting ring for push buttons.  
 Mount up to 2 valves on mounting ring for selector switches, valves cannot be mounted in center position.

**Specifications**

Air Quality – Standard Shop Air, Lubricated or Dry	40 µm Filtration
Flow –	PXBB3• Cv=.08 PXBB4• Cv=.18
Materials –	Body Polyamide Operating Head Zinc Alloy & Plastic
Operating Positions	All Positions
Operating Pressure –	PXBB3• 15 to 115 PSIG (1 to 9 bar) PXBB4• 15 to 145 PSIG (1 to 10 bar)
Ports	5/32" Instant for Semi-Rigid Nylon or Polyurethane Tube
Operating Temperature –	5°F to 140°F (-15°C to 60°C)

**Additional Valve Bodies**



PXBB3911



PXBB4932



PXBB4931

Connections	Function	Type of switching*	Part number
5/32" instant straight	3/2	NNP	<b>PXBB3911</b>
5/32" instant swivel			<b>PXBB3912</b>
5/32" instant straight	3/2	NP	<b>PXBB3921</b>
5/32" instant swivel			<b>PXBB3922</b>
5/32" instant straight	3/2	Universal	<b>PXBB4931</b>
5/32" instant swivel			<b>PXBB4932</b>

\* NNP: Normally non-passing.

Most popular.



For inventory, lead time, and kit lookup, visit [www.pdnplu.com](http://www.pdnplu.com)

Directair 2  
& 4 Series

Viking Xtreme  
Lever Series

42 Lever/  
Pedal Series

MO Series

Safety



Manual / Mechanical  
Valves

Brass Poppet /  
Sliding Seal

Control Panel  
Products

Sensing

**Accessories**

**Control Panel Products**

**For Push Buttons and Visual Indicators**

**Legend Plates for PXBB Devices (22mm)**

Description	Part number
<b>Without text for customer engraving</b>	
Black / red background (white letters)	<b>ZBY2101</b>
Yellow / white background (black letters)	<b>ZBY4101</b>
<b>With text for push buttons</b>	
Start	<b>ZBY2303</b>
Stop	<b>ZBY2304</b>
Forward	<b>ZBY2305</b>
Reverse	<b>ZBY2306</b>
Up	<b>ZBY2307</b>
Down	<b>ZBY2308</b>
Right	<b>ZBY2309</b>
Left	<b>ZBY2310</b>
On	<b>ZBY2311</b>
Off	<b>ZBY2312</b>
Open	<b>ZBY2313</b>
Close	<b>ZBY2314</b>
Inch	<b>ZBY2321</b>
Reset	<b>ZBY2323</b>
Power On	<b>ZBY2326</b>
Slow	<b>ZBY2327</b>
Fast	<b>ZBY2328</b>
Emergency stop	<b>ZBY2330</b>
Run	<b>ZBY2334</b>
<b>With text for 2-position selectors</b>	
Off On	<b>ZBY2367</b>
<b>With text for 3-position selectors</b>	
Hand Off Auto	<b>ZBY2387</b>



 Most popular.

**Blank Legend Plates for Inscription**

**For PXBB devices** (2 lines of 11 characters maximum)

**Please indicate the required text when ordering.**  
(Allow 3 weeks for delivery)

Description	Part number
Black background / White letters	<b>ZBY2002</b>

**For 22mm Visual Indicators Only**

**2 lines of 11 characters maximum**

**Please indicate the required text when ordering.**  
(Allow 3 weeks for delivery)

Description	Part number
Black background / white letters	<b>ZB2BY2002</b>

**Electrical Switch Bodies**


When combined with pneumatic valves, these contact blocks allow different forms of power to be provided from a single push button. Can be mounted with both types of valves PXBB3 / PXBB4.

Type of contact	Part number
Normally open (NO)	<b>ZBE101</b>
Normally closed (NC)	<b>ZBE102</b>



**Note:** Plastic mounting ring ZB5AZ009 to be used with ZB5 plastic operating heads. Metal mounting ring ZB4BZ009 to be used with ZB4 metal operating heads.

**Electrical specification:** 240V, 10 Amp

 Most popular.

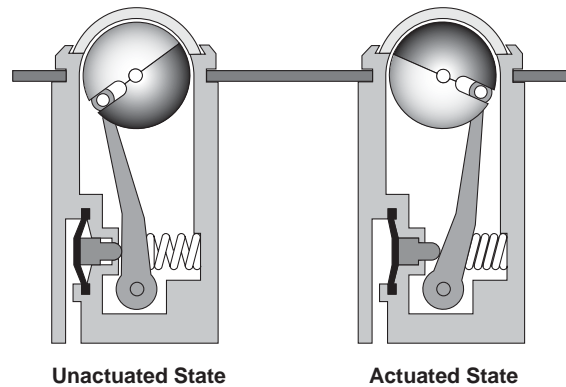


For inventory, lead times, and kit lookup, visit [www.pdnplu.com](http://www.pdnplu.com)

Directair 2 & 4 Series  
Viking Xtreme Lever Series  
42 Lever / Pedal Series  
M0 Series  
Safety  
Manual / Mechanical Valves  
Brass Poppet / Sliding Seal  
Control Panel Products  
Sensing

**Pneumatic Visual Indicators**

An indicator ball is rotated by a pneumatic input, changing the visible color. The ball sits behind a clear plastic window, providing a wide field of view. The visual indicators are available in five brightly colored Day-Glow paints for increased visibility. Like push buttons and selector switches, visual indicators use the 22mm (7/8") mounting standard.

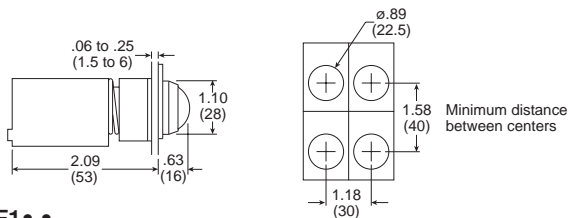


**With 5/32" Instant Connections**

**22mm Visual Indicators**

Black Plastic Bezel	Color	Part number "ON" indicator	Part number "OFF" indicator
	Green	<b>PXVF131</b>	<b>PXVF1213</b>
	Red	<b>PXVF141</b>	<b>PXVF1214</b>
	Yellow	<b>PXVF151</b>	<b>PXVF1215</b>
	Blue	<b>PXVF161</b>	<b>PXVF1216</b>
	White	<b>PXVF111</b>	<b>PXVF1211</b>

**Notes:** The Pneumatic Indicators are black in one position and colored in the other. The colored position corresponds either to the presence of a pressure ("ON" Indicator) or the absence of pressure ("OFF" Indicator).



PXVF1 • •

**Mounting Accessories**

	Color	Description	Part number
	—	Plastic head (ZB5) mounting nut tightening tool	<b>ZB5AZ905</b>
	Black plastic	Guard for 40mm	<b>ZBZ1602</b>

**Specifications**

Air Quality –	Standard Shop Air, Lubricated or Dry 40 µm Filtration	
Materials –	Body	Polyamide
	Operating Head	Zinc Alloy & Plastic
Number of Operations with Dry Air at 90 PSI (6 bar) and 68°F (20°C) - Frequency 1 Hz	Mushroom Head	300,000 Operations
	Operating Positions	All Positions
Operating Pressure –	15 to 115 PSIG (1 to 8 bar)	
Ports	5/32" Instant for Semi-Rigid Nylon or Polyurethane Tube 10-32 UNF Available	
Operating Temperature –	Operating	32°F to 122°F (0°C to 50°C)
	Storage	-22°F to 140°F (-30°C to 60°C)

Most popular.



For inventory, lead time, and kit lookup, visit [www.pdnplu.com](http://www.pdnplu.com)





Directair 2 & 4 Series
Viking Xtreme Lever Series
42 Lever / Pedal Series
MO Series
Safety

Manual / Mechanical Valves
Brass Poppet / Sliding Seal
Control Panel Products
Sensing

**Modular Pneumatic / Electric Push Buttons**

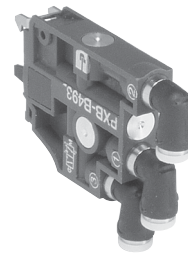
As with electrical contact switches, pneumatic valve modules can be mounted on a number of different operating heads.

- Pneumatic normally non passing (NNP) is equivalent to electrical normally open (N.O.).
- Pneumatic normally passing (NP) is equivalent to electrical normally closed (N.C.).

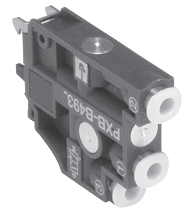
**Note:** Electrical switches can be stacked, but the rear connection on pneumatic switches prevents stacking. Therefore, when mixing electrical and pneumatic switch bodies on the same operator, the pneumatic switch must be mounted last.



PXBB3911



PXBB4932



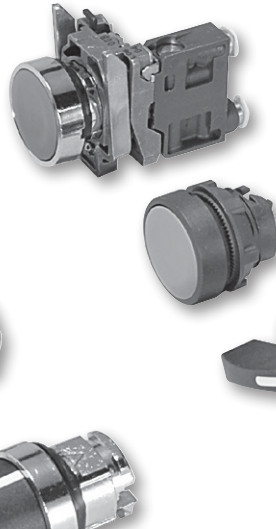
PXBB4931

**Push Buttons**

Spring Return or Latching  
 Mushroom Headed Push Buttons



Standard  
 Push Button



**Visual indicators**



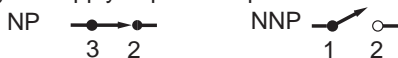
**Selector Switches**

2 or 3 Positions,  
 Fixed or  
 ReturnTo Center

**Functionality Explanation**

Fluid Power			Universal Description	Electrical	
Function	Symbol			Function	Symbol
Normally Closed (N.C.)	2-Way		Normally Non-Passing (NNP)	Normally Open (N.O.)	
	3-Way				
Normally Open (N.O.)	2-Way		Normally Passing (NP)	Normally Closed (N.C.)	
	3-Way				

**Type of Switching:** Universal 3-Way: Valve can be connected either as NP or NNP as required by connecting the primary air supply to port 1 or port 3.

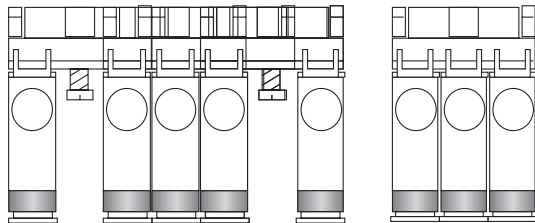


- NP: Normally Passing.
- NNP: Normally Non-Passing.
- NNP + NNP: Double Switch Body, Both Normally Non-Passing.
- NNP + NP: Normally Non passing and Normally-Passing.
- NP + NP: Both Normally Passing.

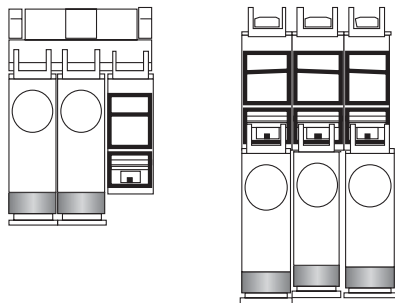
**Combination of Output Devices On a Single Mounting Block**

Up to 3 output devices (valves or electrical contacts) can be mounted side by side on 1 mounting block.

**Note:** The central position can only be activated by push button heads.



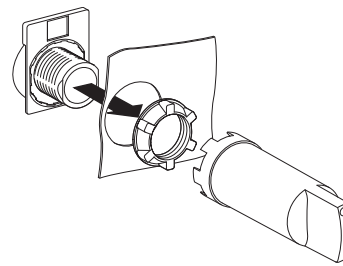
Electrical Contacts and Valves can be Combined Either Side by Side, or by Mounting the Valve on the Back of the Electrical Contact.



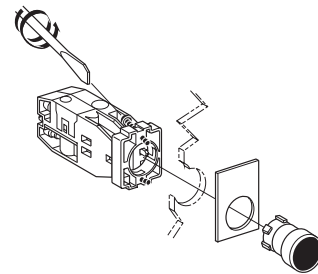
Side by Side Combination

Combination by Mounting Valves On the Back of the Electrical Contact

**Assembling Output Devices and Heads On ZB5 Series Mounting Block**



**Replacement Old Style Mounting**



For inventory, lead time, and kit lookup, visit [www.pdnplu.com](http://www.pdnplu.com)

Directair 2 & 4 Series

Viking Xtreme Lever Series

42 Lever / Pedal Series

MO Series

Safety



Manual / Mechanical Valves

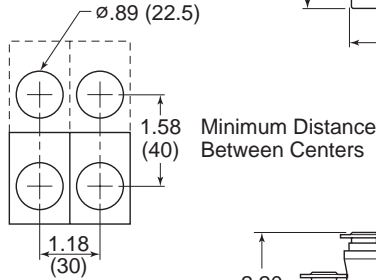
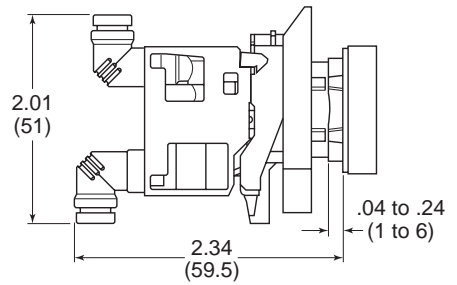
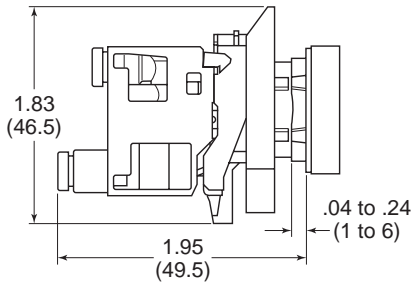
Brass Poppet / Sliding Seal

Control Panel Products

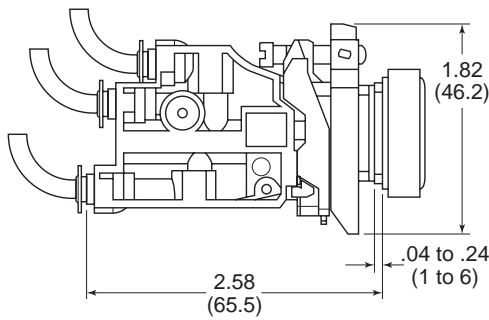
Sensing

**Dimensional Data**

**PXB-B3 Dimensions**

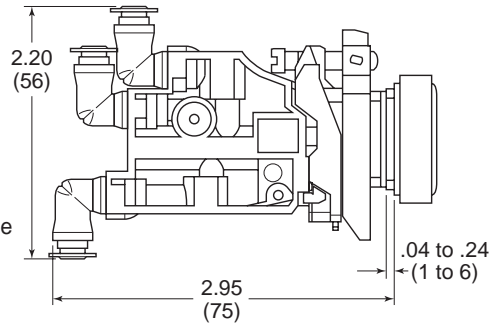


**PXB-B4 Dimensions**



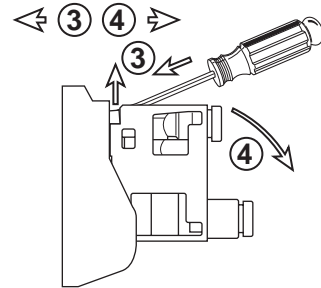
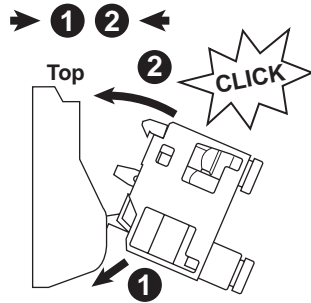
**Tube Bending Radius For PXBB3 and PXBB4**

- 4 mm O.D. x 2 mm I.D. Tube = Minimum 0.39 (10) Radius
- 4 mm O.D. x 2.7 mm I.D. Tube = Minimum 0.59 (15) Radius

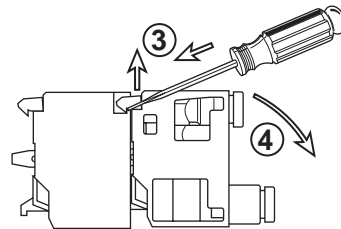
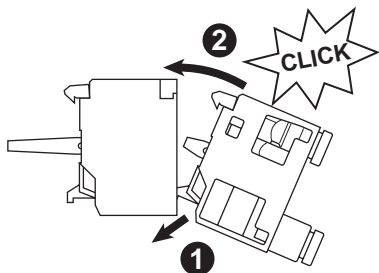


**Assembly**

Assembling PXB Valves On Mounting Block



Assembling PXB Valves On the Back of the Electrical Contact



Directair 2 & 4 Series	Viking Xtreme Lever Series	42 Lever / Pedal Series	MO Series	Safety	Manual / Mechanical Valves
					Brass Poppet / Sliding Seal
					Control Panel Products
					Sensing

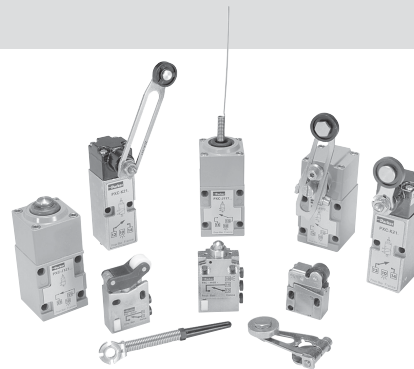
Features

Limit Switches

To achieve the sensing or feedback function, pneumatic sensors can be:

- Limit switches in a variety of sizes and configurations
- Pressure switches with many adjustable ranges
- Components designed specifically for pneumatic technology using pressure variation, air bleed or blocking for detection.

A wide variety of pneumatic sensors are available to suit any application requirement.





Material specifications

Body	Zinc alloy
Poppets	Polyurethane
Seals	Nitrile (Buna N)


Operating information

Operating pressure:	40 to 115 PSIG (3 to 8 bar)
Operating temperature:	
Operating	32°F to 122°F (0°C to 50°C)
Storage	-22°F to 140°F (-30°C to 60°C)


3/2 Miniature Direct Acting Limit Switches  
1/16" I.D. Internal Orifice

	Actuator	Type of switching*	Flow SCFM (NI/min)	Nominal bore	Connection	Part number
	Steel plunger operating levers available	NNP	2.2 (60)	1/16" (1.5mm)	5/32" instant	<b>PXCM111</b>
					10-32 UNF	<b>PXCM115</b>
	Plastic roller	NNP	3.0 (85)		5/32" instant	<b>PXCM121</b>
					10-32 UNF	<b>PXCM125</b>

7/64" I.D. Internal Orifice

	Plastic roller	NNP	8.8 (250)	7/16" (2.5mm)	5/32" instant	<b>PXCM521</b>
-------------------------------------------------------------------------------------	----------------	-----	-----------	---------------	---------------	----------------

Actuators For Steel Plunger (Use with PXCM11\*)

	Plastic roller lever					<b>PXCZ11</b>
-------------------------------------------------------------------------------------	----------------------	--	--	--	--	---------------

\* NNP: Normally non-passing. 

Specifications

Air Quality – Standard Shop Air, Lubricated or Dry	40 µm Filtration
Maximum Operating Frequency	5 Hz
Number of Operations with Dry Air at 90 PSI (6 bar) and 68°F (20°C) - Frequency 1 Hz	10 million
Operating Positions	All Positions

 Most popular.



For inventory, lead time, and kit lookup, visit [www.pdnplu.com](http://www.pdnplu.com)

E77

Parker Hannifin Corporation  
Pneumatic Division  
Richland, Michigan  
[www.parker.com/pneumatics](http://www.parker.com/pneumatics)

Directair 2 & 4 Series

Viking Xtreme Lever Series

42 Lever / Pedal Series

MO Series

Safety






Manual / Mechanical Valves

Brass Poppet / Sliding Seal

Control Panel Products




Sensing

**3/2 Compact Pilot Operated Limit Switches**  
**7/64" I.D. Internal Orifice, 5/32" Instant Connections, Pipeable Exhaust Port**

	Actuator	Type of switching*	Flow SCFM (NI/min)	Nominal bore	Connection	Part number
Directair 2 & 4 Series Viking Xtreme Lever Series 42 Lever / Pedal Series		Steel plunger operating levers available				<b>PXCM601A110</b>
		Steel roller plunger	NNP	8.8 (250)	7/64" (2.5mm)	5/32" instant <b>PXCM601A102</b>
		90° Steel roller plunger				<b>PXCM601A103</b>

**Standard Duty Limit Switches – “K” Series**

**Plunger Operated Limit Switches**  
**1/8" I.D. Internal Orifice, 5/32" Instant Connections, Pipeable Exhaust Port**

	Actuator	Type of switching*	Flow SCFM (NI/min)	Nominal bore	Connection	Part number
MO Series Safety		Steel plunger	NNP			<b>PXCK21101</b>
			NP			<b>PXCK22101</b>
		Steel roller plunger	NNP			<b>PXCK21102</b>
			NP			<b>PXCK22102</b>
		Plastic roller plunger	NNP	7.4 (210)	1/8" (3mm)	5/32" instant <b>PXCK21121</b>
			NP			<b>PXCK22121</b>
		Cats whisker	NNP			<b>PXCK21106</b>
			NP			<b>PXCK22106</b>

\* NNP: Normally non-passing. 

 Most popular.





For inventory, lead times, and kit lookup, visit [www.pdnplu.com](http://www.pdnplu.com)

E78


**Parker Hannifin Corporation**  
 Pneumatic Division  
 Richland, Michigan  
[www.parker.com/pneumatics](http://www.parker.com/pneumatics)

**Roller Operated Limit Switches**


1/8" I.D. Internal Orifice, 5/32" Instant Connections, Pipeable Exhaust Port

	Actuator	Type of switching*	Flow SCFM (NI/min)	Nominal bore	Connection	Part number
	Fixed delrin roller lever multi-function head actuates: - from right and left - from right - from left	NNP	7.4 (210)	1/8" (3mm)	5/32" instant	<b>PXCK2110031</b>
		NP				PXCK2210031
	Adjustable delrin roller lever multi-function head actuates: - from right and left - from right - from left	NNP				<b>PXCK2110041</b>
		NP				PXCK2210041

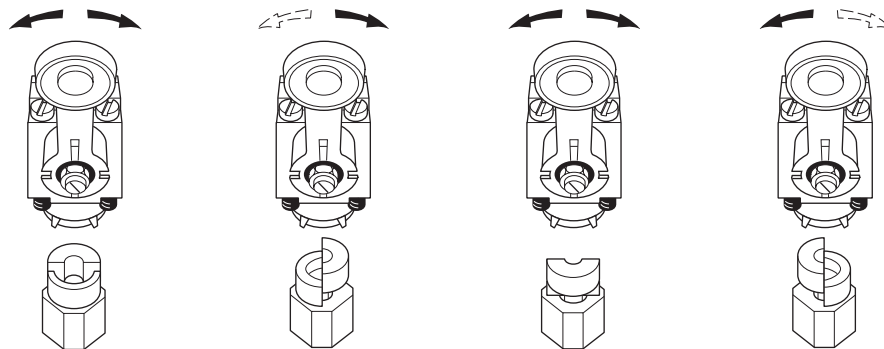
**Separate Pneumatic Switch Bodies**



	Actuator	Type of switching*	Part number
	For use with ZCK series operating heads	NNP	<b>PXCK211</b>
		NP	<b>PXCK221</b>

**Pneumatic Switch Bodies with Rotary Heads**

	Actuator	Type of switching*	Part number
	Multi-function head actuates: - from right and left - from right - from left	NNP	<b>PXCK21100</b>
		NP	<b>PXCK22100</b>

**Field Conversion of Rotary Operating Head**



\* NNP: Normally non-passing.   
 NP: Normally passing. 

 Most popular.



For inventory, lead time, and kit lookup, visit [www.pdnplu.com](http://www.pdnplu.com)

Directair 2  
& 4 Series

Viking Xtreme  
Lever Series

42 Lever/  
Pedal Series

MO Series

Safety



Manual / Mechanical  
Valves

Brass Poppet /  
Sliding Seal

Control Panel  
Products


Sensing



**Standard Duty Limit Switches – “K” Series**









**Operating Heads**

For Use With PXCK Switch Bodies

Actuator	Description	Part number
<b>Rotary operated</b>		
	Die cast zinc	<b>ZCKG00</b>
<b>Plunger operated</b>		
Roller plunger		<b>ZCKD02</b>
Whisker		<b>ZCKD06</b>
Rod plunger	Plunger operated	<b>ZCKD10</b>
Delrin roller lever on plunger		<b>ZCKD21</b>
Steel roller lever on plunger		<b>ZCKD23</b>


**Operating Levers for Rotary Heads**

For Use With Rotary Head ZCKG00


Actuator	Description	Part number
	Steel 1/8" square	<b>ZCKY51</b>
	Fiberglass 1/8" dia. round	<b>ZCKY52</b>
	Plastic spring rod lever	<b>ZCKY81</b>
	Metal spring rod lever	<b>ZCKY91</b>
	Delrin roller lever	<b>ZCKY11</b>
	Steel roller lever	<b>ZCKY13</b>
	Adjust. delrin roller lever	<b>ZCKY41</b>
	Adjust. steel roller lever	<b>ZCKY43</b>

**Heavy Duty Limit Switches – “J” Series**

**Switch Bodies Only**










	Type of switching*	Part number
	NNP	<b>PXCJ117</b>
	NP	<b>PXCJ127</b>

**Separate Pneumatic Switch Bodies**

	Direction of actuator	Type of switching*	Part number
	Right & left, spring return	NNP	<b>PXCJ11701</b>
	Right or left, spring return		<b>PXCJ11705</b>
	Right & left, spring return	NP	<b>PXCJ12701</b>
	Right or left, spring return		<b>PXCJ12705</b>



**Operating Levers for Rotary Heads**



Die Cast Zinc. For Use With PXCJ Switch Bodies

Operator	Description	Part number
	Delrin roller	<b>ZC2JY11</b>
	Steel roller	<b>ZC2JY13</b>
	Spring return	<b>ZC2JY21</b>
		<b>ZC2JY81</b>
	Metal spring rod	<b>ZC2JY91</b>
	Adjustable roller	<b>ZC2JY31</b>
		<b>ZC2JY41</b>
	Fork lever	<b>ZC2JY71</b>
		<b>ZC2JY61</b>

**Top Plunger & Rotary Operating Heads**

Die Cast Zinc. For Use With PXCJ Switch Bodies

Operation	Description	Part number
<b>Top Plunger Type</b>		
	Top push	<b>ZC2JE61</b>
	Top roller push	<b>ZC2JE62</b>
	Side push	<b>ZC2JE63</b>
	Cat's whisker	<b>ZC2JE70</b>
<b>Rotary Type</b>		
	From left & right	<b>ZC2JE01</b>
	Counterclockwise from right	<b>ZC2JE02</b>
	Clockwise from left	<b>ZC2JE03</b>
	From left or right	<b>ZC2JE05</b>
	Maintained positions	<b>ZC2JE09</b>

\* NNP: Normally non-passing.   
 NNP: Normally passing. 

 Most popular.



For inventory, lead times, and kit lookup, visit [www.pdnplu.com](http://www.pdnplu.com)

Directair 2 & 4 Series

Viking Xtreme Lever Series

42 Lever / Pedal Series

M0 Series

Safety



Manual / Mechanical Valves

Brass Poppet / Sliding Seal

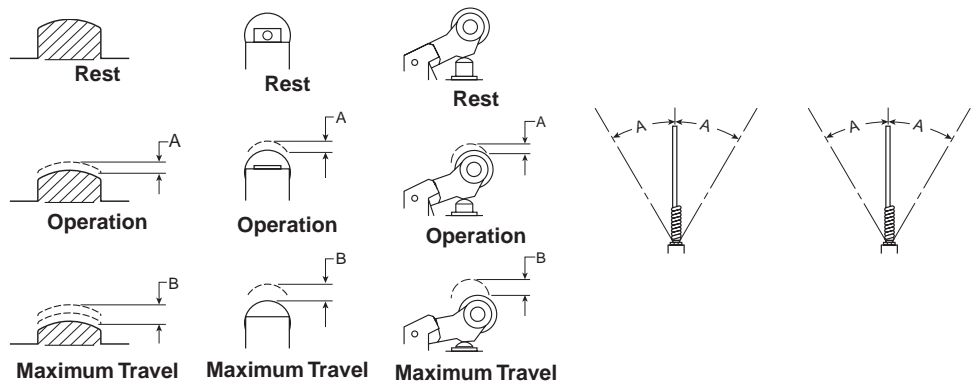
Control Panel Products

Sensing

**Operator Specifications**

	PXCK2••01	PXCK2••02	PXCK2••03	PXCK2••06	PXCK2••00 + Actuator
Differential angle	—	—	—	12°	3°
Differential travel	.008" (0.2 mm)	.008" (0.2 mm)	.008" (0.2 mm)	—	—
Maximum angle of travel	—	—	—	—	80°
Maximum travel (B) at 90 PSIG (6 bar)	.228" (5.8 mm)	.228" (5.8 mm)	.228" (5.8 mm)	—	—
Minimum pre-travel (A) at 90 PSIG (6 bar)	.087" (2.2 mm)	.087" (2.2 mm)	.102" (2.6 mm)	—	—
Minimum operating force at 90 PSI (6 bar)	3.6 lbf (16N)	4.5 lbf (20N)	3.4 lbf (15N)	—	—
Minimum operating torque at 90 PSI (6 bar)	—	—	—	17.0 oz in (120mNm)	29.8 oz in (210mNm)
Operating angle	—	—	—	35°	31° (Minimum lever travel including pre-travel required for operation)

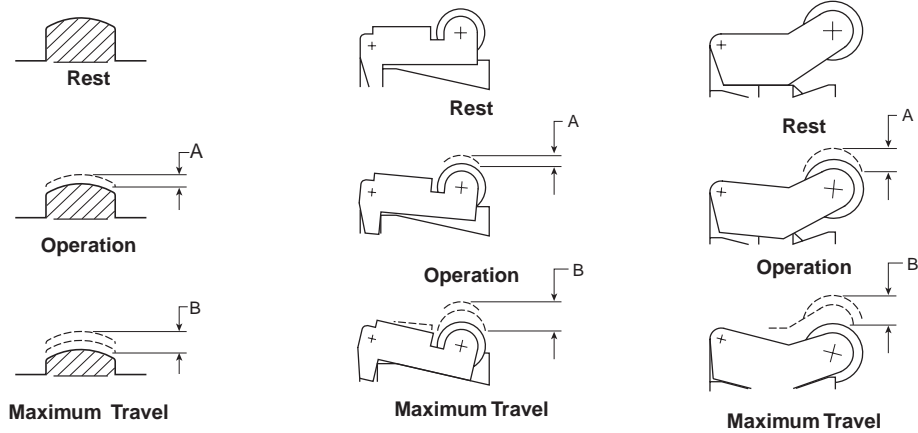
Operating Diagram



**Operators**

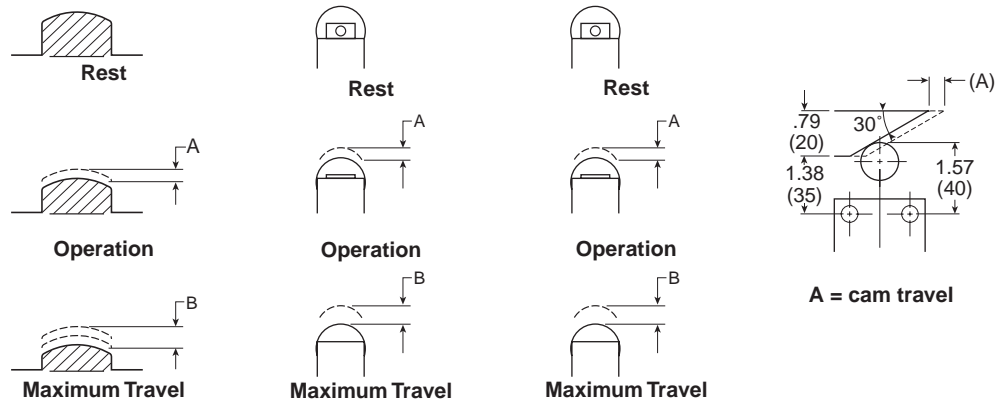
	PXCM111	PXCM121	PXCM521
Differential Travel at 90 PSI (6 bar)	.006" (0.15 mm)	.012" (0.3 mm)	.020" (0.5 mm)
Maximum Travel (B) at 90 PSIG (6 bar)	.055" (1.4 mm)	.126" (3.2 mm)	.228" (5.8 mm)
Minimum Pre-Travel (A) at 90 PSIG (6 bar)	.035" (0.9 mm)	.079" (2 mm)	.087" (2.2 mm)
Minimum Operating Force at 90 PSI (6 bar)	2.5 lb (11 N)	1.0 lb (4.5 N)	1.6 lb (7 N)

Operating Diagram



	PXCM601A110	PXCM601A102	PXCM601A103	PXCM601A110 + XCMZ24
Differential Travel at 90 PSI (6 bar)	.012" (0.3 mm)	.008" (0.2 mm)	.020" (0.5 mm)	.047" (1.2 mm) (A)
Maximum Travel (B) at 90 PSIG (6 bar)	.197" (5 mm)	.197" (5 mm)	.197" (5 mm)	—
Minimum Pre-Travel (A) at 90 PSIG (6 bar)	.066" (1.7 mm)	.066" (1.7 mm)	.066" (1.7 mm)	.370" (9.4 mm) (A)
Minimum Operating Force at 90 PSI (6 bar)	5.4 lbf (24 N)	5.2 lbf (23 N)	5.2 lbf (23)	4.3 lbf (19)

Operating Diagram



Directair 2 & 4 Series

Viking Xtreme Lever Series

422 Lever / Pedal Series

MO Series

Safety



Manual / Mechanical Valves

Brass Poppet / Sliding Seal

Control Panel Products

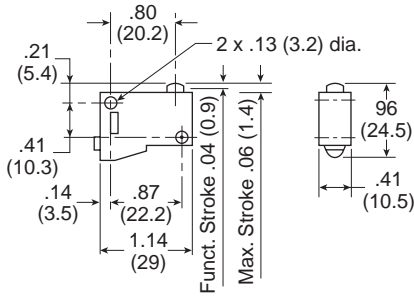
Sensing



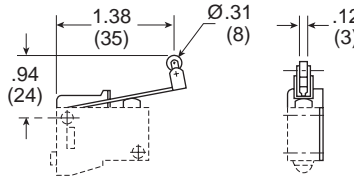
For inventory, lead times, and kit lookup, visit [www.pdnplu.com](http://www.pdnplu.com)

**Miniature Limit Switches**

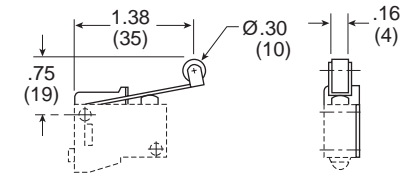
**PXCM111**



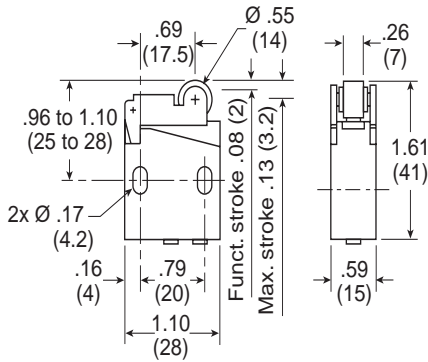
**PXCZ12**



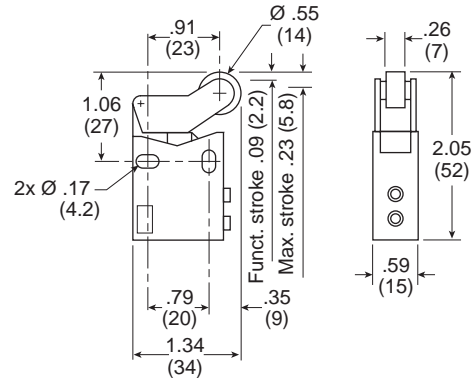
**PXCZ11**



**PXCM121, PXCM131**

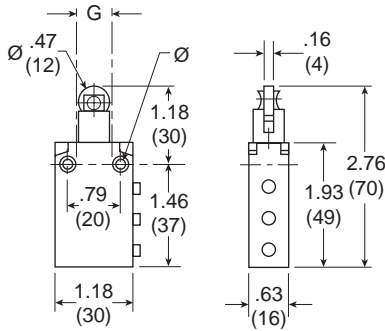


**PXCM521**

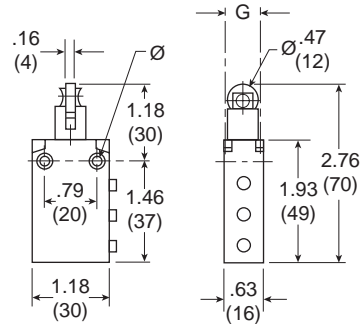


**Compact Limit Switches**

**PXCM601A102**

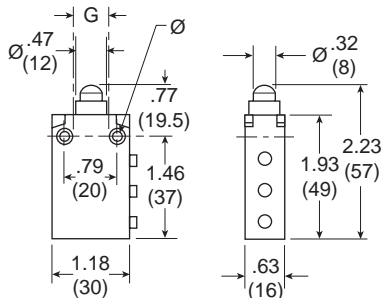


**PXCM601A103**



Ø:  
 2 mounting holes Ø .17" (4.3)  
 2 countersunk Ø .32" (8.2)  
 depth 4 mm

**PXCM601A110**



G:  
 top mounting holes, 2 x M5  
 .71" (18 mm) centers



For inventory, lead time, and kit lookup, visit [www.pdnplu.com](http://www.pdnplu.com)

Directair 2  
 & 4 Series

Viking Xtreme  
 Lever Series

42 Lever/  
 Pedal Series

MO Series

Safety



Manual / Mechanical  
 Valves

Brass Poppet /  
 Sliding Seal

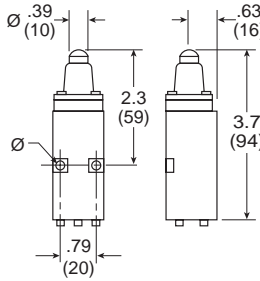
Control Panel  
 Products

Sensing

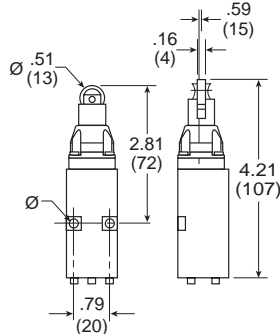
**Dimensional Data**

**K Series**

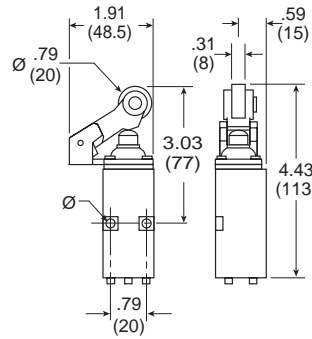
PXCK21101, PXCK22101



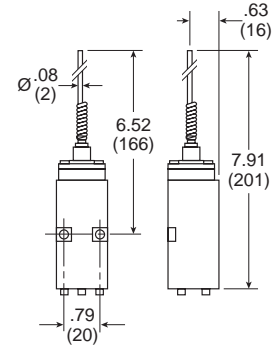
PXCK21102, PXCK22102



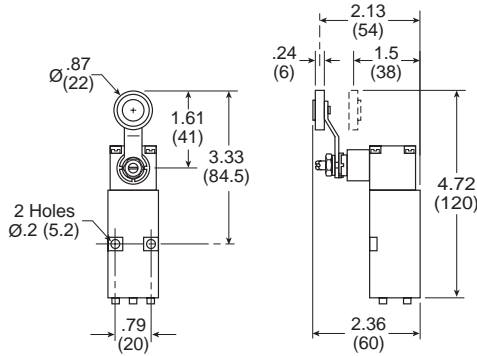
PXCK21121, PXCK22121



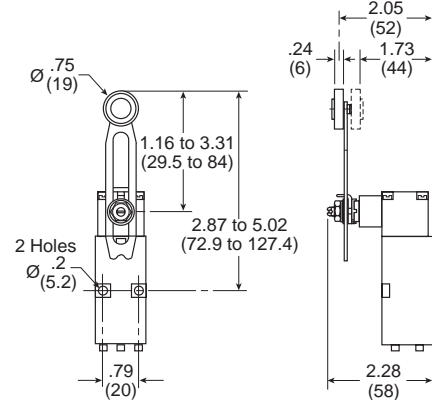
PXCK21106, PXCK22106



PXCK2110031, PXCK2210031

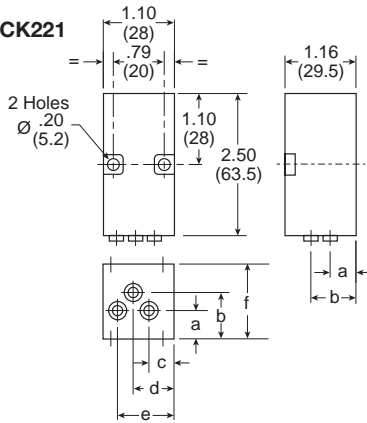


PXCK2110041, PXCK2210041



**Pneumatic Switch Bodies**

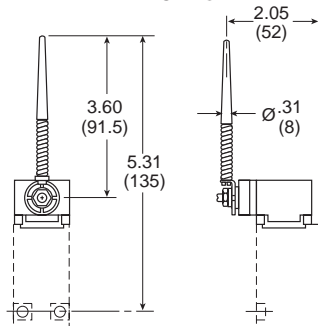
PXCK211, PXCK221



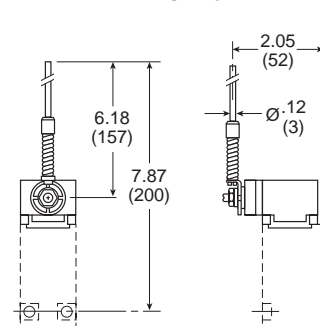
	inch	mm
a	.39	10
b	.77	19.5
c	.35	9
d	.61	15.5
e	.87	22
r	1.66	29.5

**Rotary Heads with Operating Levers**

ZCKY81



ZCKY91

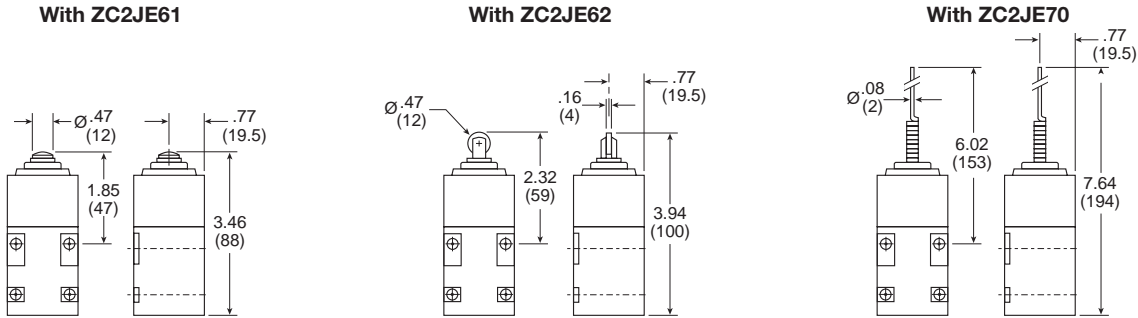


For inventory, lead times, and kit lookup, visit [www.pdnplu.com](http://www.pdnplu.com)

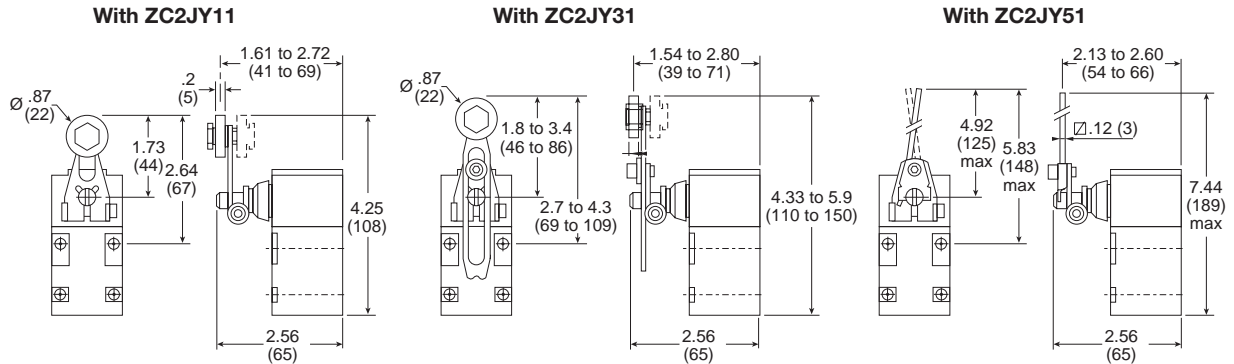
Directair 2 & 4 Series  
Viking Xtreme Lever Series  
42 Lever / Pedal Series  
MO Series  
Safety  
Manual / Mechanical Valves  
Brass Poppet / Sliding Seal  
Control Panel Products  
Sensing

**J Series**

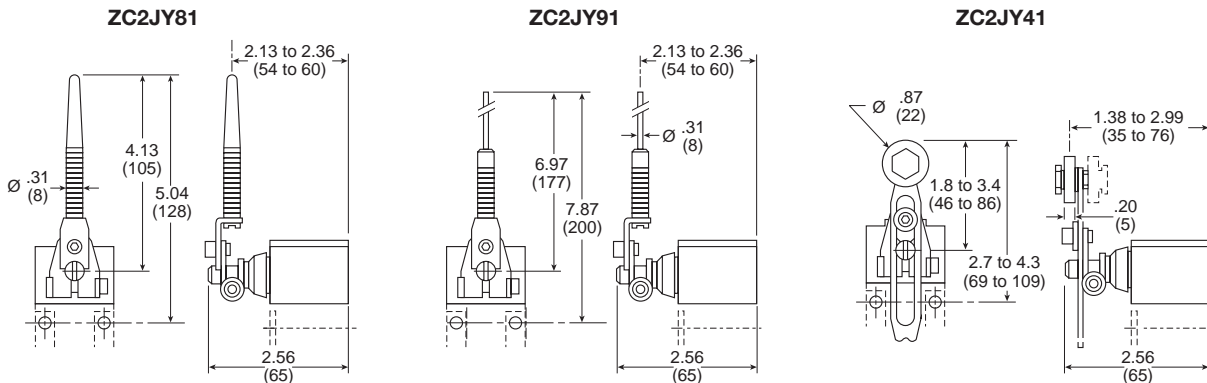
**Switch Body With Plunger Heads**



**Switch Body With Rotary Heads and Operating Levers**

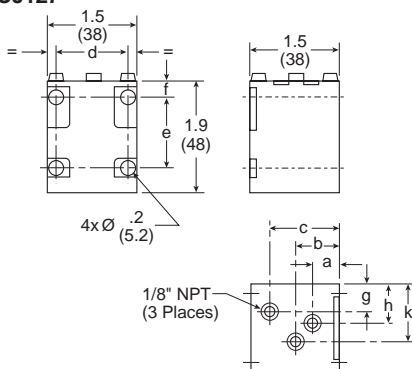


**Rotary Heads With Operating Levers**



**Pneumatic Switch Bodies**

PXCJ117, PXCJ127



	inch	mm
a	.47	12
b	.75	19
c	1.16	29.5
d	1.14 to 1.18	29 to 30
e	1.18	30
f	.28	7
g	.43	11
h	.51	13
k	.94	24



For inventory, lead time, and kit lookup, visit [www.pdnplu.com](http://www.pdnplu.com)

E85

**Parker Hannifin Corporation**  
 Pneumatic Division  
 Richland, Michigan  
[www.parker.com/pneumatics](http://www.parker.com/pneumatics)

Directair 2  
& 4 Series

Viking Xtreme  
Lever Series

42 Lever/  
Pedal Series

MO Series

Safety



Manual / Mechanical  
Valves

Brass Poppet /  
Sliding Seal

Control Panel  
Products

Sensing



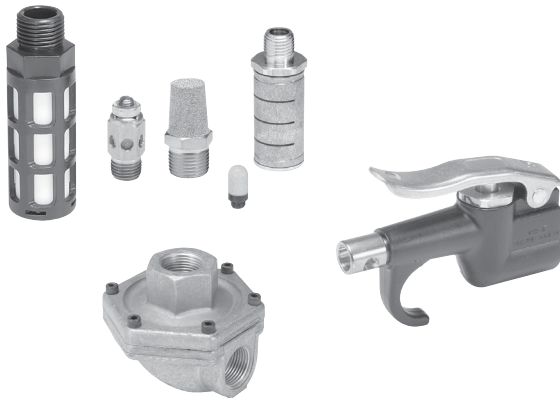
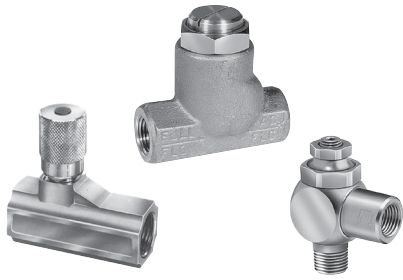
**Parker Pneumatic**

Directair 2 & 4 Series
Viking Xtreme Lever Series
42 Lever / Pedal Series
MO Series
Safety

<b>Manual / Mechanical Valves</b>
Brass Poppet / Sliding Seal
Control Panel Products
Sensing



For inventory, lead times, and kit lookup, visit [www.pdnplu.com](http://www.pdnplu.com)



## Pneumatic Valve Products Accessories

### Flow Controls & Check Valves

337 Micrometer Series	F2
338 Series	F3
3250 Series	F4-F5
3251 Series	F6
339 Series	F7
3047 Series	F7

### Miscellaneous Accessories

EM Series Sintered Bronze Muffler / Filters	F8
Muffler / Flow Controls	F8
Breather Vents	F9
Silencers	F9
Stainless Steel Mufflers	F10
Air Line Silencers, Plastic	F11-F12
ECS Reclassifier	F13
Quick Exhaust & Shuttle Valves	F14-F16
Blocking Valves	F17-F18, F21
Threshold Sensors, PWS Series	F19-F21
Tank Valves	F22
Blow Guns	F23-F24

### Integrated Fittings

Index	F25-F26
Compact Flow Control Valves	F27-F28
Miniature Flow Control Valves	F29
Swivel Outlet Flow Control Valves	F30
Plug-In Flow Control Valves	F31
In-Line Flow Control Valves	F32-F33
Compact Metal Flow Control Valves	F34
Flow Control Check Valves	F35-F36
Blocking Flow Control Valves	F37
Threshold Sensors	F38



## 337 Series Micrometer Flow Control Valves, 1/8" to 3/4" Ports

The "337" Series Flow Control Valves meter flow of air in one direction and allow free flow in the reverse direction.

Valves are manufactured with a fine tapered needle providing precise flow control, even at low flow rates. The perimeter of the adjustment knob features numerical micrometer position markings providing a visual indication of the setting. Once the desired flow is selected, a set screw can be tightened to maintain the setting.

These valves are available with NPTF ports in 1/8", 1/4", 3/8", 1/2", and 3/4" sizes. This series is recommended for pneumatic service.



### Material Specifications

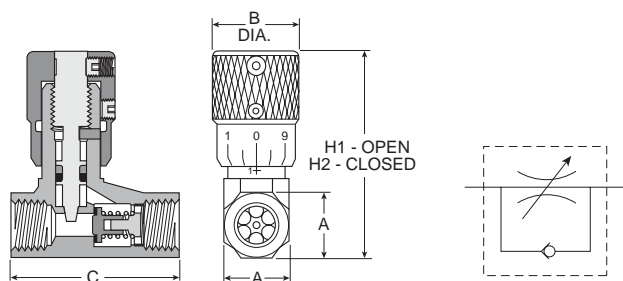
Body	Brass
Check Seal	Urethane
Knob	Aluminum
Needle	Stainless steel
Needle Seals	Buna N (Fluorocarbon optional – consult factory)
Retainer	Zinc- Plated Steel
Spring	Stainless Steel
Set Screw	Steel

### Operating information

Maximum operating pressure: 250 PSIG  
Cracking pressure for return check poppet 1 to 2 PSIG

Operating temperature: \*  
Standard: 0°F to 180°F  
Extended: 0°F to 300°F (consult factory)

\* Ambient temperatures below freezing require moisture-free air. Ambient temperatures below freezing and above 180° require lubricants especially selected for suitability at these temperatures. Pneumatic valves should be used with filtered and lubricated air.



### 337 Micrometer Flow Control Valves – NPT

Port size	Flow (SCFM †)		A	B	C	H1	H2	Part number	Service kits
	Adj.	Free flow							
1/8"	15	32	9/16"	0.75	1.47	2.03	1.81	003371000	003378000
1/4"	28	75	11/16"	0.75	1.47	2.28	2.03	003371001	003378001
3/8"	59	139	7/8"	0.88	2.31	2.84	2.53	003371002	003378002
1/2"	126	183	1-3/16"	1.06	3.25	3.62	3.22	003371003	003378003
3/4"	140	327	1-3/8"	1.06	3.25	3.72	3.31	003371004	003378004

### 337 Micrometer Flow Control Valves – BSPP

Port size	Flow (SCFM †)		A	B	C	H1	H2	Part number	Service kits
	Adj.	Free flow							
1/8"	15	32	9/16"	0.75	1.47	2.03	1.81	00337G1000	003378000
1/4"	28	75	11/16"	0.75	1.47	2.28	2.03	00337G1001	003378001

† At 100 PSIG inlet pressure with full pressure drop.

Most popular.



For inventory, lead times, and kit lookup, visit [www.pdnplu.com](http://www.pdnplu.com)

## 338 Series Flow Control Valves, 1/8" to 3/4" Ports

"338" Series needle valves bi-directionally meter the flow of air through the valve.

This series features a fine tapered needle providing precise flow of air in both directions. Numerical micrometer position markings are stamped on the perimeter of the adjustment knob which provide a visual indication of the setting. Once the desired flow is selected, a set screw can be tightened to maintain the setting.

These valves are available with NPTF ports in 1/8", 1/4", 3/8" 1/2" and 3/4" sizes. This series is recommended for pneumatic service.



### Material Specifications

Body	Brass
Internal Components	Stainless steel
Seals	Buna N (Fluorocarbon optional – consult factory)

### Operating information

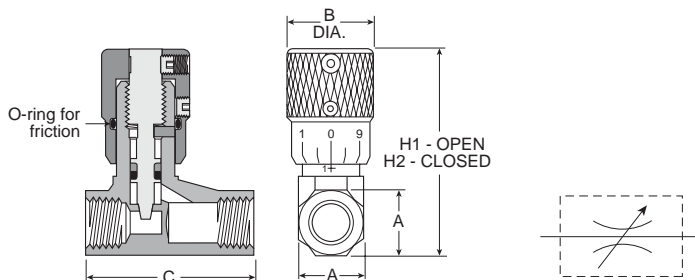
Maximum operating pressure: 250 PSIG

Operating temperature:\*

Standard: 0°F to 180°F

Extended: 0°F to 300°F (consult factory)

\* Ambient temperatures below freezing require moisture-free air. Ambient temperatures below freezing and above 180° require lubricants especially selected for suitability at these temperatures. Pneumatic valves should be used with filtered and lubricated air.



### 338 Needle Valves – NPT

Port size	Flow (SCFM †)	A	B	C	H1	H2	Part number	Service kits
1/8"	15	9/16"	0.75	1.47	2.03	1.81	<b>003381100</b>	<b>003378000</b>
1/4"	28	11/16"	0.75	1.47	2.28	2.03	<b>003381101</b>	<b>003378001</b>
3/8"	59	7/8"	0.88	2.31	2.84	2.53	<b>003381102</b>	<b>003378002</b>
1/2"	126	1-3/16"	1.06	3.25	3.62	3.22	<b>003381103</b>	<b>003378003</b>
3/4"	140	1-3/8"	1.06	3.25	3.72	3.31	<b>003381104</b>	<b>003378004</b>

### 338 Needle Valves – BSPP

Port size	Flow (SCFM †)	A	B	C	H1	H2	Part number	Service kits
1/8"	15	9/16"	0.75	1.47	2.03	1.81	<b>00338G1100</b>	<b>003378000</b>
1/4"	28	11/16"	0.75	1.47	2.28	2.03	<b>00338G1101</b>	<b>003378001</b>

† At 100 PSIG inlet pressure with full pressure drop.

  Most popular.



For inventory, lead time, and kit lookup, visit [www.pdnplu.com](http://www.pdnplu.com)

## 3250 Series Flow Control Valves, 1/8" to 3/4" Ports

The "3250" Series Flow Control Valves are specifically designed to accurately meter the flow of air in one direction and allow free flow in the opposite direction. The "3250" Series Flow Control Valves are also suitable for low pressure hydraulic service.

When air is moving in the free flow direction through the valve, it forces the poppet off its seat and unrestricted air flow is permitted.

When air is moving in the metered direction through the valve, air pressure and the force of the poppet spring causes the poppet to close. Flow must then be through the orifice that is controlled by the metering screw. Opening this screw allows more flow; closing it, less flow.



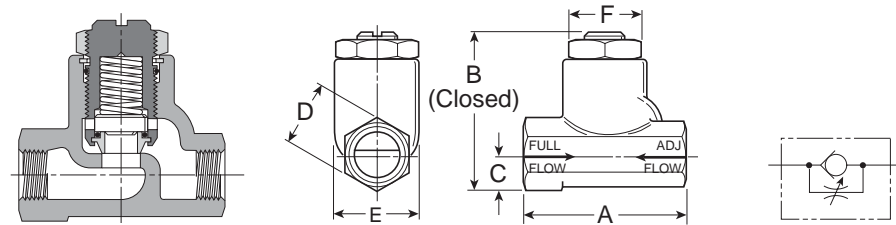
### Operating information

Operating pressure:	400 PSIG (Air) 800 PSIG (Hydraulic)
Operating temperature:	Standard: -40°F to 180°F Extended: -20°F to 400°F

Valve will operate mounted in any position. Lock nut on metering screw prevents change in setting during operation.

### Material Specifications

Body	Brass
Internal Components	Brass, Stainless steel
Seals	Buna N



### 3250 Flow Control Valves, 1/8" to 3/4" Ports – NPT

Port size	Max. flow (SCFM)		A	B	C	D	E	F	Part number
	Metered direction	Free flow direction							
1/8"	70	60	1.75	1.56	0.37	0.62	0.81	0.68	<b>032500119</b>
1/4"	130	120	2.33	1.97	0.44	0.75	1.09	0.94	<b>032500219</b>
3/8"	220	205	2.66	2.44	0.56	1.00	1.38	1.19	<b>032500319</b>
1/2"	295	346	3.11	3.06	0.75	1.25	1.63	1.38	<b>032500419</b>
3/4"	420	615	3.56	3.69	0.88	1.50	2.00	1.75	<b>032500519</b>

### 3250 Flow Control Valves, 1/8" to 3/4" Ports – BSPP

Port size	Max. flow (SCFM)		A	B	C	D	E	F	Part number
	Metered direction	Free flow direction							
1/8"	70	60	1.75	1.56	0.37	0.62	0.81	0.68	<b>03250G0119</b>
1/4"	130	120	2.33	1.97	0.44	0.75	1.09	0.94	<b>03250G0219</b>
3/8"	220	205	2.66	2.44	0.56	1.00	1.38	1.19	<b>03250G0319</b>
1/2"	295	346	3.11	3.06	0.75	1.25	1.63	1.38	<b>03250G0419</b>
3/4"	420	615	3.56	3.69	0.88	1.50	2.00	1.75	<b>03250G0519</b>

 Most popular.

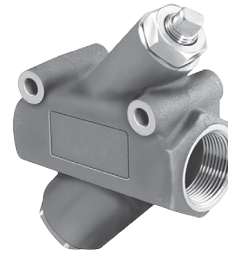


For inventory, lead times, and kit lookup, visit [www.pdnplu.com](http://www.pdnplu.com)

## 3250 Series Needle Valves, 1" to 1-1/2" Ports

These extra large flow control valves have been developed to provide effective flow settings for large diameter cylinders and for other similar air applications. Each valve has a fine screw adjustment allowing precise settings which are secured by a sturdy lock nut.

Large internal port passages coupled with unique soft seal poppet and inline design provide maximum full flow capacity and minimum pressure drop in the free flow direction. Their cone shaped brass metering valve will provide consistent cylinder speed by regulating cylinder exhaust.



### Material Specifications

Body	Cast Aluminum
Internal Components	Brass, Aluminum
Seals	Buna N, Urethane
Spring	Stainless Steel

### Operating information

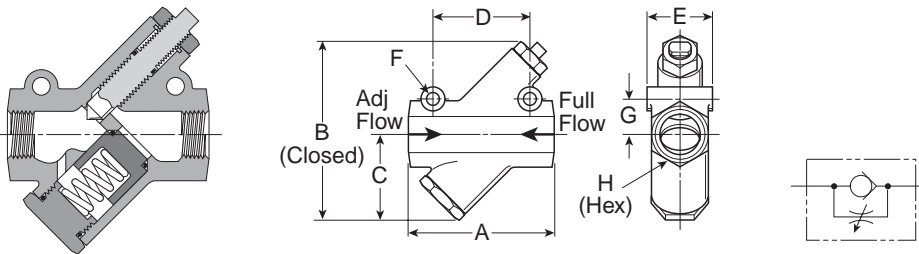
Maximum operating pressure:	250 PSIG
Operating temperature:	
Standard:	-40°F to 180°F
Extended:	-40°F to 350°F (consult factory)

Flow Controls  
& Check Valves

Misc  
Accessories

Integrated  
Fittings

Accessories



### 3250 Flow Control Valves, 1" to 1-1/2" Ports – NPT

Port size	Max. flow needle open		A	B	C	D	E	F	G	H	Part number
	SCFM†	Cv									
1"	70	60	5.00	6.50	3.00	3.25	2.25	.39	1.31	2.13	<b>032501000</b>
1-1/4"	130	120	5.00	6.50	3.00	3.25	2.25	.39	1.31	2.13	<b>032501250</b>
1-1/2"	295	346	5.88	8.00	3.75	3.50	2.50	.39	1.50	2.38	<b>032501500</b>

### 3250 Flow Control Valves, 1" to 1-1/2" Ports – BSPP

Port size	Max. flow needle open		A	B	C	D	E	F	G	H	Part number
	SCFM†	Cv									
1"	70	60	5.00	6.50	3.00	3.25	2.25	.39	1.31	2.13	<b>03250G1000</b>
1-1/4"	130	120	5.00	6.50	3.00	3.25	2.25	.39	1.31	2.13	<b>03250G1250</b>
1-1/2"	295	346	5.88	8.00	3.75	3.50	2.50	.39	1.50	2.38	<b>03250G1500</b>

† At 100 PSIG inlet pressure with full pressure drop.

Most popular.



For inventory, lead time, and kit lookup, visit [www.pdnplu.com](http://www.pdnplu.com)



## 3251 Series Right Angle Flow Control Valves, 1/8" to 1/2" Ports

The Right Angle Flow Control is an ideal solution to cylinder speed control where space is at a premium. Costly fittings, connections and piping expenses can be eliminated because the valve can rotate 360°, the piping alignment can be in any direction. It then locks into place. The 1/8" model can be rotated after final assembly.

Install by threading male end directly into cylinder port. The free-flow and metered-flow direction is automatically predetermined. Free-flow direction is into cylinder and metered-flow is out of the cylinder. Flow is adjusted with an Allen wrench and locked with nut.

Right Angle Flow Control also available with Prestolok fittings on inlet port to accommodate 5/32 - 3/8 tube sizes. This allows for quick connection and eliminates need for separate tube fitting.

### Material Specifications

Body	Brass
Plunger	Brass and Acetal
Seals	Buna N



Shown with Threaded Inlet



Shown with Prestolok Inlet Fitting

### Operating information

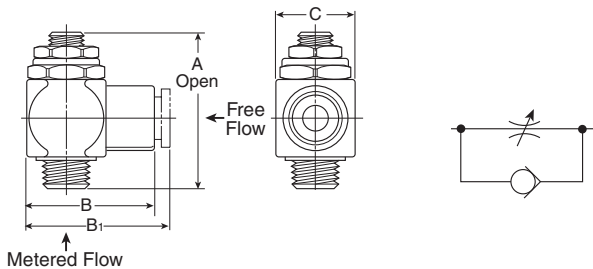
Operating pressure:	125 PSIG (863 kPa) max.
Operating temperature:	0°F to 140°F (-18°C to 60°C)

Flow Controls & Check Valves

Misc Accessories

Integrated Fittings

Accessories



### 3251 Flow Control Valves – NPT

Thread (NPT) male	Thread (NPT) female	Cv		A mm	B mm	C mm	Weight		Part number
		Adjusted flow	Free flow				oz.	kg.	
1/8	1/8	0.26	0.20	44	30	17	2.0	0.9	032510125
1/4	1/4	0.75	0.68	51	36	23	4.5	2.0	032510250
3/8	3/8	0.84	0.72	58	43	27	7.0	3.2	032510375
1/2	1/2	1.64	1.41	68	53	32	11.0	5.0	032510500

#### With Prestolok Fittings

1/8	5/32	0.19	0.16	44	30	17	2.0	0.9	032511215
1/8	1/4	0.28	0.22	44	30	17	2.0	0.9	032511225
1/4	1/4	0.51	0.44	51	36	23	4.5	2.0	032512525
1/4	3/8	0.62	0.53	51	36	23	4.5	2.0	032512538
3/8	3/8	0.78	0.65	58	43	27	7.0	3.2	032513838

**CAUTION:** If it is possible that the ambient temperature may fall below freezing, the medium must be moisture-free to prevent internal damage or unpredictable behavior.

Most popular.



For inventory, lead times, and kit lookup, visit [www.pdnplu.com](http://www.pdnplu.com)

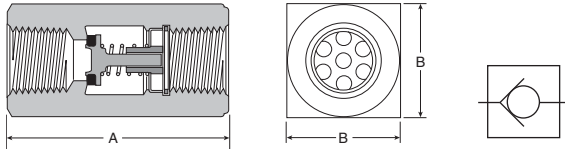
## 339 Series Check Valves, 1/8" to 3/4" Ports

"339" Series check valves allow free flow in one direction and provide positive checked flow in the reverse direction. These valves are available with NPTF ports in 1/8", 1/4", 3/8", 1/2" & 3/4" sizes. This series is recommended for pneumatic service.



### Material Specifications

Body	Brass
Internal Components	Brass / stainless steel / zinc-plated steel
Seals	Urethane (standard) Fluorocarbon (optional, consult factory)



### Operating information

Operating pressure: 250 PSIG max.  
Cracking pressure 1 to 2 PSIG

Operating temperature: \*  
Standard: 0°F to 180°F  
Extended Option: 0°F to 300°F (consult factory)

\* Ambient temperatures below freezing require moisture-free air. Ambient temperatures below freezing and above 180° require lubricants especially selected for suitability at these temperatures. Pneumatic valves should be used with filtered and lubricated air.

### 339 Check Valve

Port size	Flow (SCFM †)	A	B	Part number	
				NPT	BSPP
1/8"	35	1.22	0.56	003393000	00339G3000
1/4"	75	1.34	0.69	003393001	00339G3001
3/8"	143	2.00	0.88	003393002	–
1/2"	162	2.56	1.19	003393003	–
3/4"	323	2.66	1.38	003393004	–

† At 100 PSIG inlet pressure with full pressure drop.

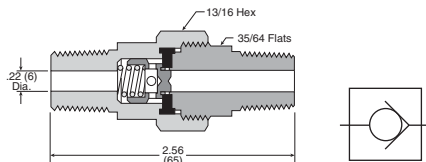
## 3047 Series Check Valves, 1/4" Ports

"3047" Series check valves allow free flow in one direction and provide positive checked flow in the reverse direction. This valve is available with a male 1/4" NPTF connection and is recommended for pneumatic service.



### Material Specifications

Body	Brass
Internal Components	Brass / stainless steel
Seals	Nitrile



### Operating information

Operating pressure: 250 PSIG max.  
Cracking pressure 1 to 2 PSIG

Operating temperature: \*  
Standard: 0°F to 180°F

\* Ambient temperatures below freezing require moisture-free air. Ambient temperatures below freezing and above 180° require lubricants especially selected for suitability at these temperatures. Pneumatic valves should be used with filtered and lubricated air.

### 3047 Check Valve

Port size	Flow (SCFM †)	Part number
1/4"	30	030470099

† At 100 PSIG inlet pressure with full pressure drop.

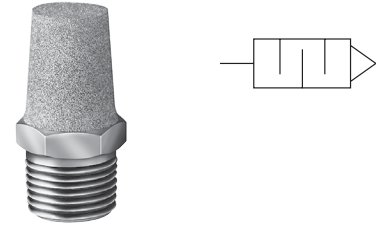
Most popular.



For inventory, lead time, and kit lookup, visit [www.pdnplu.com](http://www.pdnplu.com)

## EM Series – Sintered Bronze Muffler / Filters

Muffler / filters effectively reduce air exhaust noises to an industry accepted level with minimum flow restriction. They protect valves, impact wrenches, screw drivers and other air tools by preventing dirt and other foreign matter from entering the system. Non-corrosive. Can be cleaned with many common solvents.



### EM Series

Pipe thread	Overall length	Hex size	Part number
M5	.75	5/16"	<b>EMM5</b>
1/8"	1.00	7/16"	<b>EM12</b>
1/4"	1.32	9/16"	<b>EM25</b>
3/8"	1.54	11/16"	<b>EM37</b>
1/2"	1.85	7/8"	<b>EM50</b>
3/4"	2.29	1-1/6"	<b>EM75</b>
1"	2.91	1-5/16"	<b>EM100</b>
1-1/4"	3.25	1-11/16"	<b>EM125</b>
1-1/2"	3.69	2"	<b>EM150</b>

### Operating information

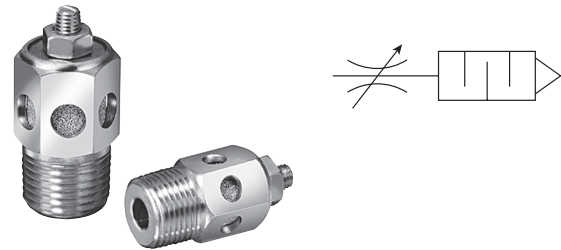
Operating pressure: 250 PSIG (Air)  
Cracking pressure 1 to 2 PSIG

Operating temperature:\* 0°F to 300°F

\* Ambient temperatures below freezing require moisture-free air. Ambient temperatures below freezing and above 180° require lubricants especially selected for suitability at these temperatures. Pneumatic valves should be used with filtered and lubricated air.

## Muffler / Flow Controls

Muffler / flow controls provide an acceptable exhaust noise level and effectively meter exhaust. Installed in valve exhaust ports, they control cylinder piston speeds throughout a wide range. The adjusting screw cannot be accidentally blown out, can be locked to maintain setting. Brass and bronze construction. Clean with commonly used solvents.



### Muffler / Flow Controls

Pipe thread	Overall length	Hex size	Part number
1/8"	1.15	9/16"	<b>045020002</b>
1/4"	1.42	1/2"	<b>045040004</b>
3/8"	1.49	11/16"	<b>045060060</b>
1/2"	1.77	7/8"	<b>045080080</b>
3/4"	1.98	1-1/16"	<b>045120012</b>
1"	2.15	1-5/16"	<b>045160016</b>

### Operating information

Operating pressure: 250 PSIG (Air)  
Cracking pressure 1 to 2 PSIG

Operating temperature:\* 0°F to 300°F

\* Ambient temperatures below freezing require moisture-free air. Ambient temperatures below freezing and above 180° require lubricants especially selected for suitability at these temperatures. Pneumatic valves should be used with filtered and lubricated air.

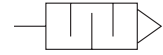
 Most popular.



For inventory, lead times, and kit lookup, visit [www.pdnplu.com](http://www.pdnplu.com)

## Breather Vents

These low silhouette versions of the muffler / filter are useful where space is a problem and / or to prevent contamination. Use for vacuum relief or pressure equalization in gear boxes, oil tanks, reservoirs, etc. Non-corrosive.



### Breather Vent

Pipe thread	Overall length	Hex size	Part number
1/8"	0.44	7/16"	<b>047020002</b>
1/4"	0.63	9/16"	<b>047040004</b>
3/8"	0.75	11/16"	<b>047060006</b>
1/2"	0.88	7/8"	<b>047080008</b>
3/4"	1.00	1-1/6"	<b>047120012</b>
1"	1.31	1-5/16"	<b>047160016</b>
1-1/4"	1.41	1-11/16"	<b>047200020</b>
1-1/2"	1.50	2"	<b>047240024</b>

**NOTE:** Breather vents should not be used as exhaust mufflers.

### Operating information

Operating pressure: 150 PSIG (Air) max.

Operating temperature:\* 0°F to 300°F

\* Ambient temperatures below freezing require moisture-free air. Ambient temperatures below freezing and above 180° require lubricants especially selected for suitability at these temperatures. Pneumatic valves should be used with filtered and lubricated air.

Flow Controls  
& Check Valves

Misc  
Accessories

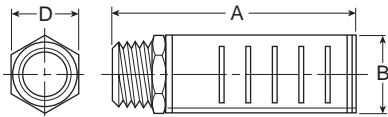
Integrated  
Fittings

Accessories



## ES Series – Silencer

The silencer is designed to give superior performance in noise control with a minimum effect on air efficiency. "Trimline" design allows location in the tightest places without extra plumbing and fittings. Fits directly into the exhaust port of more than 90% of present commercial valves. Slotted body permits rapid discharge of air without undesirable back pressure. Unique nylon screen element resists dirt buildup or clogging.



### Operating information

Operating pressure: 250 PSIG (Air) max.

Operating temperature:\* 0°F to 300°F

\* Ambient temperatures below freezing require moisture-free air. Ambient temperatures below freezing and above 180° require lubricants especially selected for suitability at these temperatures. Pneumatic valves should be used with filtered and lubricated air.

### ES Series – Silencer

Pipe thread	Flow SCFM @ 100 PSIG inlet	Dimensions			Part numbers	
		A	B	D	NPTF	BSPT (R)
1/8"	115	1.85	0.81	0.63	<b>ES12MC</b>	<b>ESB12MC</b>
1/4"	129	1.85	0.81	0.63	<b>ES25MC</b>	<b>ESB25MC</b>
3/8"	219	3.31	1.26	1.00	<b>ES37MC</b>	<b>ESB37MC</b>
1/2"	549	3.31	1.26	1.00	<b>ES50MC</b>	<b>ESB50MC</b>
3/4"	893	4.56	2.01	1.62	<b>ES75MC</b>	<b>ESB75MC</b>
1"	1,013	4.56	2.01	1.62	<b>ES100MC</b>	<b>ESB100MC</b>
1-1/4"	1,486	5.69	2.88	—	<b>ES125MC</b>	<b>ESB125MC</b>
1-1/2"	1,580	5.69	2.88	—	<b>ES150MC</b>	<b>ESB150MC</b>

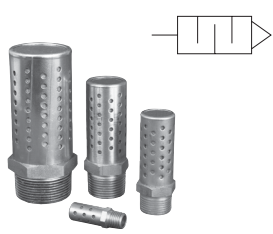
Most popular.



For inventory, lead time, and kit lookup, visit [www.pdnplu.com](http://www.pdnplu.com)

## Stainless Steel Mufflers

Corrosion resistant mufflers for harsh environments



Port size	Construction	Threads	Dimensions In. (mm)		Part number
			Width	Length	
1/4	Stainless steel	Male, NPT	0.56 (14.2)	1.75 (44.5)	<b>5500A2004</b>
1/2	Stainless steel	Male, NPT	0.87 (22.1)	2.75 (69.7)	<b>5500A4004</b>
1	Stainless steel	Male, NPT	1.31 (33.3)	3.87 (98.3)	<b>5500A6004</b>
2	Nickel plated	Male, NPT	2.37 (60.2)	5.50 (139.7)	<b>5500A9004*</b>

\* Nickel plated

Flow Controls  
& Check Valves

Misc  
Accessories

Integrated  
Fittings

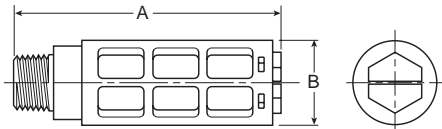
Accessories



## ASN Air Line Silencer, Plastic

- Compact
- Lightweight
- Easy to Install
- Excellent Noise Reduction
- Protects Components from Contamination
- NPT and BSPT Threads Available

The plastic silencer is designed to give excellent noise reduction with a minimum effect on air efficiency. The "Trimline" design allows for locating the silencer in the tightest places without extra plumbing or fittings. Fits directly into the exhaust port of most commercial valves. Open surface area of element allows for rapid discharge of air without undesirable back pressure.



### Operating information

Operating pressure:	0 to 150 PSIG (0 to 10 bar, 0 to 1034 kPa)
Operating temperature:	14°F to 140°F (-10°C to 60°C)

### Material Specifications

Body	Acetal (Plastic)
Element	Polyethylene

### ASN Air Line Silencer, Plastic

Thread size	A (mm)	B (mm)	Maximum flow (SCFM) 100 PSIG inlet	Sound pressure level (dBA)		Part number	
				20 PSIG inlet	100 PSIG inlet	NPT	BSPT
M5	0.43 (11)	0.32 (8)	15	69	79	<b>AS-5</b>	
1/8"	1.57 (40)	0.63 (16)	51	69	81	<b>ASN-6</b>	<b>AS-6</b>
1/4"	2.56 (65)	0.83 (21)	124	67	84	<b>ASN-8</b>	<b>AS-8</b>
3/8"	3.35 (85)	0.98 (25)	247	83	98	<b>ASN-10</b>	<b>AS-10</b>
1/2"	3.74 (95)	1.18 (30)	370	69	96	<b>ASN-15</b>	<b>AS-15</b>

Most popular.



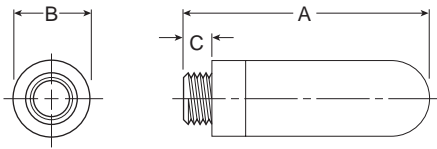
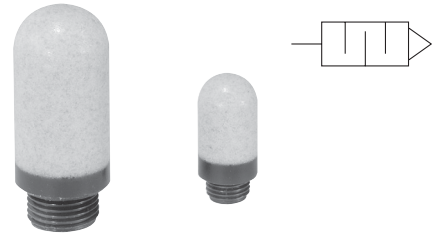
For inventory, lead time, and kit lookup, visit [www.pdnplu.com](http://www.pdnplu.com)



## P6M G Thread Air Line Silencer, Plastic

- All Plastic Ultra Light Weight Versions
- High Noise Level Reduction
- Low Back Pressure Generation

The plastic silencer is designed to give excellent noise reduction with a minimum effect on air efficiency. The “Trimline” design allows for locating the silencer in the tightest places without extra plumbing or fittings. Fits directly into the exhaust port of most commercial valves. Open surface area of element allows for rapid discharge of air without undesirable back pressure.



### Operating information

Operating pressure:	0 to 246 PSIG (0 to 17 bar, 0 to 1700 kPa)
Operating temperature:	14°F to 176°F (-10°C to 80°C)
Plastic	14°F to 165°F (-10°C to 74°C)
Metal	
Efficiency	92%

### P6M G Thread, Air Line Silencer, Plastic

Port thread	A	Diameter B	C	Weight (grams)	Part number
M5	0.91 (23)	0.26 (6,5)	0.16 (4)	0.01	<b>P6M-PAC5</b>
G1/8	1.14 (29)	0.55 (14)	0.24 (6)	0.02	<b>P6M-PAB1</b>
G1/4	1.34 (34)	0.67 (17)	0.24 (6)	0.04	<b>P6M-PAB2</b>
G3/8	2.36 (60)	0.98 (25)	0.35 (9)	0.06	<b>P6M-PAB3</b>
G1/2	2.52 (64)	0.98 (25)	0.43 (11)	0.10	<b>P6M-PAB4</b>
G3/4	5.51 (140)	1.50 (38)	0.55 (14)	0.50	<b>P6M-PAB6</b>
G1	6.30 (160)	1.89 (48)	0.79 (20)	0.62	<b>P6M-PAB8</b>

Most popular.



For inventory, lead times, and kit lookup, visit [www.pdnplu.com](http://www.pdnplu.com)

Flow Controls  
& Check Valves

Misc  
Accessories

Integrated  
Fittings

Accessories



## ECS Reclassifier, Air Line Muffler

The ECS (Muffler-Reclassifier) eliminates unwanted oil mist and reduces exhaust noise from pneumatic valves, cylinders and air motors.

- 99.97% Oil Removal Efficiencies
- 25 dBA Noise Attenuation
- 1/2" NPT and 1" NPT
- Disposable Units
- Continuous or Plugged Drain Option
- Metal Retained Construction
- Fast Exhaust Time

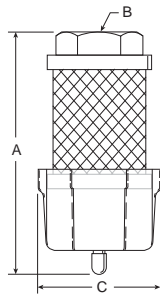
### Improve Overall Plant Environment

Exhaust oil mist and noise pollution have a direct impact on worker productivity.

Oil aerosol mist from lubricators and compressors is pervasive and enters the industrial plant environment through the exhaust ports of valves, cylinders and air motors. This rapidly expanding exhaust also produces sudden and excessive noise.

The ECS (Muffler-Reclassifier) is 99.97% efficient at removing the oil aerosols. The ECS also acts as a silencer to lower the dBA levels below O.S.H.A. requirements.

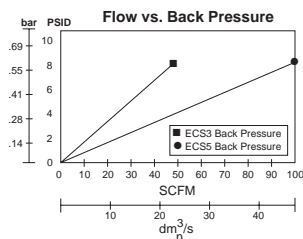
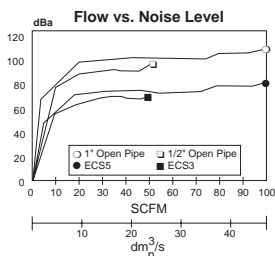
The result is a cleaner, quieter environment which equates to greater work productivity and safety.



### ECS Reclassifier, Air Line Muffler

Thread size	A	B	C	Part number
1/2	5.30 (135 mm)	1/2" NPT	2.57 (65 mm)	<b>ECS3</b>
1	7.30 (185mm)	1" NPT	2.57 (65mm)	<b>ECS5</b>

### Performance Characteristics



Most popular.



### Operating information

Maximum line pressure:	100 PSIG (6.8 bar)
Maximum operating temperature:	125°F (52°C)

### Operation

Compressor oils and lubricating oils are exhausted from valves, cylinders and air motors into the ECS. Oil aerosols are "coalesced" into larger droplets and gravity pulls them into the attached drain sump. The sump can then be drained manually or by using a 1/4" ID plastic tube drain. The air flowing into the ECS is also muffled or silenced as it enters the inside of the ECS and passes through the filter media into the atmosphere.

### Proven Technology

The ECS units are constructed from the same materials that go into our oil removal coalescing filter elements.

The seamless design insures media uniformity and strength. This proven technology provides high coalescing efficiency with low pressure drop.

The filter media is supported by cylindrical perforated steel retainers both inside and out. These retainers, fully plated for excellent corrosion resistance, give the ECS units high rupture strength in either flow direction. These filters can also be used as high efficiency inlet or bypass filters for vacuum pumps, or breather elements to protect the air above critical process liquids.

### ECS3 / ECS5

The ECS solves two problems inherent in compressed air exhaust from valves, cylinders and air motors - oil mist removal and noise abatement.

The ECS will improve your industrial plant environment, thereby improving worker productivity.

Flow Controls  
& Check Valves

Misc  
Accessories

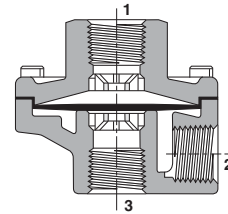
Integrated  
Fittings

Accessories



## OR Series Quick Exhaust & Shuttle Valves

Quick exhaust valves provide rapid exhaust of control air when placed between control valve and actuator. They can also be used as shuttle valves. Diaphragm materials are available in urethane, Nitrile, Fluorocarbon, and PTFE to meet a wide variety of operating conditions.



### Material Specifications

Body	Die cast aluminum
Static Seals	Nitrile standard with urethane (Others see chart below)
Diaphragm	Standard – Urethane Optional – Fluorocarbon, PTFE, or Nitrile (Depending on size)

### Operating information

Operating pressure (Air): 150 PSIG (max), 3 PSIG (min)  
200 PSIG (max), 50 PSIG (min) for Model No. OR37TB (PTFE diaphragm)

Operating temperature:\*

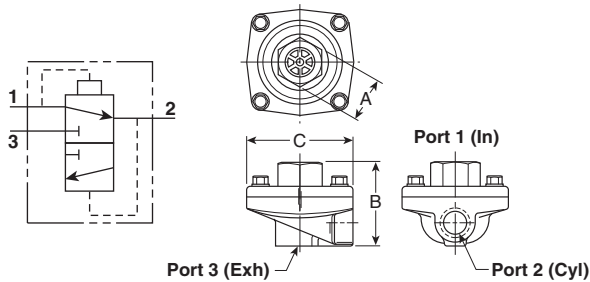
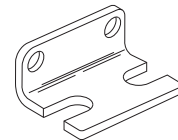
- Urethane: 0°F to 180°F (-18°C to 80°C)
- Nitrile: 0°F to 180°F (-18°C to 80°C)
- Fluorocarbon: 0°F to 400°F (-18°C to 205°C)
- PTFE: 0°F to 500°F (-18°C to 260°C)

\* Ambient temperatures below freezing require moisture-free air. Ambient temperatures below freezing and above 180° require lubricants especially selected for suitability at these temperatures. Pneumatic valves should be used with filtered and lubricated air.

### Mounting Bracket Kit – No. 036408100

(Including body screws)

For “OR12” and “OR25” sizes with 7/8” “A” Dimension.



### Model Selection, Performance Data and Dimensions

Port 1	Port 2	Port 3	Flow (SCFM †)	Part Number		A	B	C	Service Kit No.
				NPTF	BSPP “G”				
<b>STANDARD Urethane diaphragms (Nitrile static seals)</b>									
1/4"	1/4"	3/8"	150	OR25NB	ORB25NB	1" Hex	2.06	2.44	033400105
	3/8"	3/8"	240	OR25PB	—	1" Hex	2.06	2.44	033400105
3/8"	3/8"	3/8"	240	OR37B	ORB37B	1" Hex	2.06	2.44	033400105
1/2"	1/2"	1/2"	450	OR50B	ORB50B	1-1/2" Hex	2.88	3.38	034750109
3/4"	3/4"	3/4"	550	OR75B	ORB75B	1-1/2" Hex	2.88	3.38	034750109
<b>Nitrile diaphragms (Nitrile static seals)</b>									
1/8"	1/8"	1/8"	70	OR12B	ORB12B	7/8" Sq.	1.75	1.88	033400105
	1/8"	1/4"	70	OR12NB	ORB12NB	7/8" Sq.	1.75	1.88	033400105
1/4"	1/4"	1/4"	90	OR25B	ORB25B	7/8" Sq.	1.75	1.88	036408000
	1/4"	3/8"	90	OR25NFB	ORB25NFB	1" Hex	2.06	2.44	033408000
3/8"	3/8"	3/8"	240	OR37FB	ORB37FB	1" Hex	2.06	2.44	033408000
3/4"	3/4"	3/4"	550	OR75FB	ORB75FB	1-1/2" Hex	2.88	3.38	034759000
<b>Fluorocarbon diaphragms for extended temperature operation (Fluorocarbon static seals)</b>									
1/8"	1/8"	1/8"	70	OR12VB	ORB12VB	7/8" Sq.	1.75	1.88	036508000
	1/8"	1/4"	70	OR12NVB	ORB12NVB	7/8" Sq.	1.75	1.88	036508000
1/4"	1/4"	1/4"	90	OR25VB	ORB25VB	7/8" Sq.	1.75	1.88	036508000
3/8"	3/8"	3/8"	240	OR37VB	ORB37VB	1" Hex	2.06	2.44	033400319
1/2"	1/2"	1/2"	450	OR50VB	ORB50VB	1-1/2" Hex	2.88	3.38	034750120
3/4"	3/4"	3/4"	550	OR75VB	ORB75VB	1-1/2" Hex	2.88	3.38	034750120
<b>PTFE diaphragms for higher pressure and temperature (Fibre static seals)</b>									
3/8"	3/8"	3/8"	240	OR37TB	ORB37TB	1" Hex	2.06	2.44	033400504

† At 100 PSIG inlet pressure with full pressure drop.

Most popular.



For inventory, lead times, and kit lookup, visit [www.pdnplu.com](http://www.pdnplu.com)

## Shuttle Valves

Shuttle valves determine a single pneumatic output from two separate inputs. If pressure is applied to both ports simultaneously, the valve will select the port with the higher pressure.



### Material Specifications

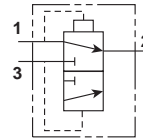
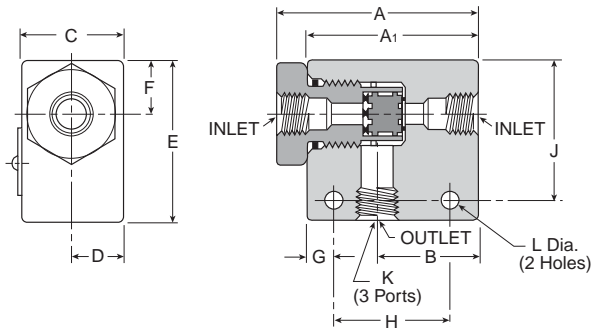
Body	Aluminum
Internal Components	Aluminum
Seals	Nitrile

### Operating information

Operating pressure:  
 Maximum: 200 PSIG  
 Minimum: Differential Pressure 3 PSIG

Operating temperature:\* 0°F to 160°F

\* Ambient temperatures below freezing require moisture-free air. Ambient temperatures below freezing and above 180° require lubricants especially selected for suitability at these temperatures. Pneumatic valves should be used with filtered and lubricated air.



### Model Selection and Dimensions

Port size	Flow (Cv)	Dimensions											Part number	
		A	A1	B	C	D	E	F	G	H	J	K		L
1/8"	0.32	N/A	1.62	0.81	0.62	0.31	1.00	0.281	0.312	1.00	0.75	1/8 - 27	0.219	<b>N1641001</b>
1/4"	1.65	2.50	2.12	1.25	1.25	0.62	2.00	0.67	0.265	1.25	1.35	1/4 - 18	0.219	<b>N1642003</b>
3/8"	2.02	2.50	2.12	1.25	1.25	0.62	2.00	0.67	0.265	1.25	1.35	3/8 - 16	0.219	<b>N1643003</b>

Most popular.

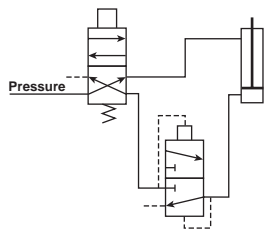


For inventory, lead time, and kit lookup, visit [www.pdnplu.com](http://www.pdnplu.com)



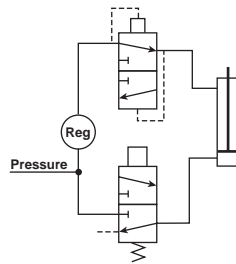
Typical “Quick Exhaust Valve” Applications

Flow Controls & Check Valves
Misc Accessories
Integrated Fittings
Accessories



**Rapid Retraction – Double Acting Cylinder**

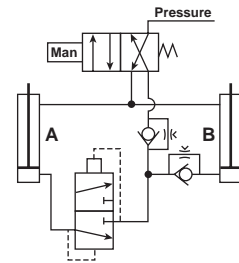
In this circuit, air is exhausted through a Quick Exhaust Valve that is **close coupled** to the cap end of the cylinder. Because the Quick Exhaust Valve has a greater exhaust capacity than the four-way Control Valve, increased cylinder speed can be accomplished with a smaller and less expensive control valve.



**Dual Pressure Actuation of Double Acting Cylinder**

This circuit utilizes a Quick Exhaust Valve and a three-way Control Valve to permit rapid extension of the cylinder at a high pressure.

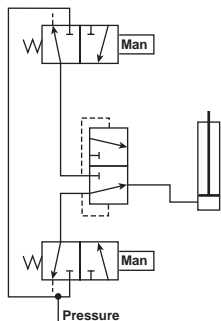
NOTE: Line pressure must be 3 or 4 times greater than rod end pressure. Effective working pressure is the differential between the cap and rod end.



**Bi-Directional Control of Two Double Acting Cylinders**

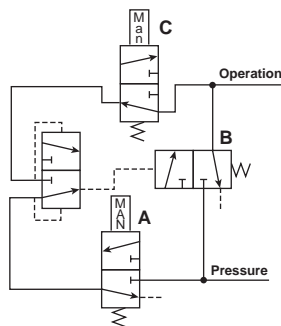
This circuit provides maximum control with a minimum of valving. A large four-way Control Valve is not needed to permit the rapid retraction of Cylinder A, as the Quick Exhaust Valve performs this function. The extension of Cylinders A and B and retraction of Cylinder B are controlled by Speed Control Valves.

Typical “Shuttle Valve” Applications



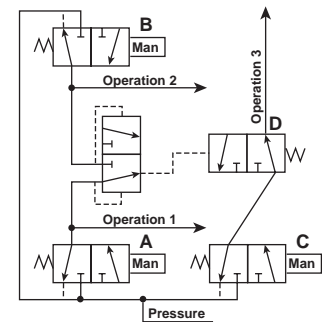
**“OR” Circuit**

The most common application of the Shuttle Valve is the “OR” Circuit. Here a cylinder or other work device can be actuated by either control valve. The valves can be manually or electrically actuated and located in any position.



**Memory Circuit**

This circuit enables continuous operation once initiated. Pressure is delivered to the circuit when Valve A is actuated. This allows pressure to pass through the shuttle valve actuating Valve B. Pressure then flows through Valve B and also the other side of the shuttle valve which holds Valve B open for continuous operation. To unlock the circuit, Valve C must be opened to exhaust the circuit and allow Valve B to return to its normally closed position.



**Interlock**

This circuit prevents the occurrence of a specific operation while one or another operation takes place. When either Valve A or B is actuated to perform operation 1 or 2, Valve D is shifted to the closed position and prevents operation 3 from occurring.

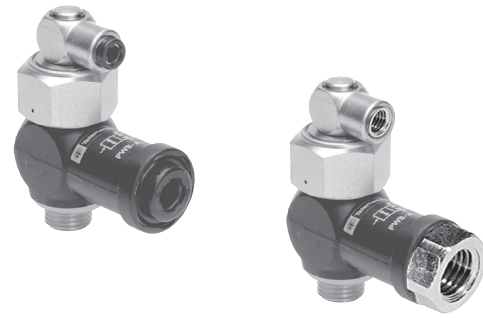
## Blocking Valves

The blocking valve is a single acting spring return 2/2 valve in a fitting format. The device requires a pneumatic pilot signal to open, which allows free flow of air or neutral gas. As long as a pilot signal is present, the device will remain open. When the pilot signal is removed, the internal spring will close the blocking valve, bubble tight.

These devices have two primary design uses: (1) to prevent unwanted gravity induced motion in cylinders during shut down procedures or during periods of lost supply pressure and (2) freezing the cylinder position by using a blocking valve at each end of the cylinder. Application needs such as tool or work piece protection, horizontal indexing or inspection stops are often satisfied by these devices.

### Material specifications

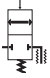

Body Zinc alloy



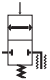

### Operating information

Operating pressure: 0 to 150 PSIG (0 to 10.3 bar)  
 Operating temperature:  
 Operating 5°F to 140°F (-15°C to 60°C)  
 Storage -40°F to 160°F (-40°C to 70°C)

### For Cylinder Mounting (Can also be mounted in Threshold Sensor Banjo) With Instant Tube Fittings

BSPP				NPT				
Symbol	Connection for pilot	Cylinder port thread (male)	Connection for tube	Part number	Connection for pilot	Cylinder port thread (male)	Connection for tube	Part number
  4mm Tube PWBA3469		1/8"	6mm	PWBA1468	5/32" Tube	1/8"	1/4"	PWBA3468
		1/4"	6mm	PWBA1469		1/4"	1/4"	PWBA3469
		1/4"	8mm	PWBA1489		3/8"	3/8"	PWBA3493
		3/8"	8mm	PWBA1483		1/2"	1/2"	PWBA3412
		3/8"	10mm	PWBA1493				
		1/2"	12mm	PWBA1412				

### With Threaded Connections and Tube Pilot Port

BSPP				NPT				
Symbol	Connection for pilot	Cylinder port thread (male)	Connection from valve (female)	Part number	Connection for pilot	Cylinder port thread (male)	Connection from valve (female)	Part number
  4mm Tube M5 Female PWBA3833		1/8"	1/4"	PWBA1898	5/32" * Tube	1/8"	1/8"	PWBA3888
		1/4"	1/4"	PWBA1899		1/4"	1/4"	PWBA3899
		3/8"	3/8"	PWBA1833		3/8"	3/8"	PWBA3833
		1/2"	1/2"	PWBA1822		1/2"	1/2"	PWBA3822

\* Instant fitting

### With Threaded Connections and Threaded Pilot Port

NPT			
Connection for pilot	Cylinder port thread (male)	Connection from valve	Part number
1/8" pipe	1/8"	1/8"	PWBA38887
	1/4"	1/4"	PWBA38997
	3/8"	3/8"	PWBA38337
	1/2"	1/2"	PWBA38227

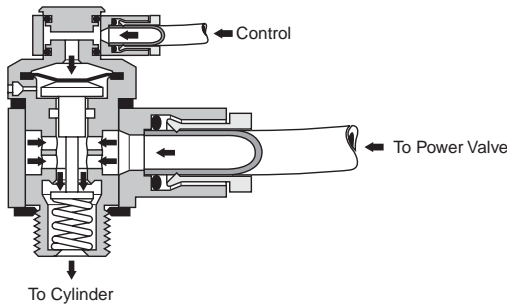
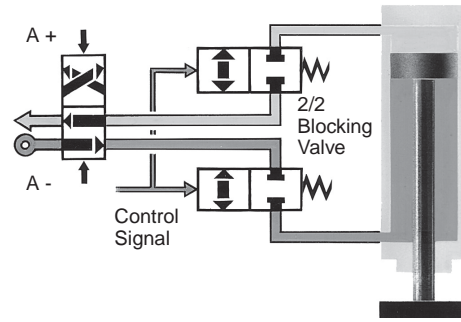
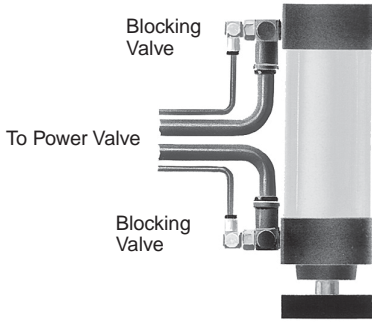
 Most popular.



For inventory, lead time, and kit lookup, visit [www.pdnplu.com](http://www.pdnplu.com)



Flow Controls  
 & Check Valves  
 Misc  
 Accessories  
 Integrated  
 Fittings  
 Accessories



**PWBA General Characteristics**

Permissible Fluids	Air or neutral gas, 50 µm filtration, lubricated or not
Mechanical Life	10 Million
Maximum Operating Frequency	10Hz
Mounting Screw	Brass
Maximum Mounting Torque:	88 inch pounds
10-32 UNF and M5	
1/8"	70 inch pounds
1/4"	105 inch pounds
3/8"	265 inch pounds
1/2"	310 inch pounds
Adjustment	N/A
Adjustment Locking	N/A
Air Quality – Standard Shop Air, Lubricated or Dry 40 µm Filtration	

**Piloting and De-Piloting Pressure**

Blocking Valve Sizes	Pilot with Operating Pressure of:			
	30 PSI	60 PSI	90 PSI	120 PSI
1/8" BSP or NPT	33 PSI	40 PSI	45 PSI	50 PSI
1/4" BSP or NPT	33 PSI	40 PSI	45 PSI	50 PSI
3/8" BSP or NPT	35 PSI	40 PSI	45 PSI	50 PSI
1/2" BSP or NPT	45 PSI	50 PSI	55 PSI	60 PSI

Blocking Valve Sizes	Depilot with Operating Pressure of:			
	30 PSI	60 PSI	90 PSI	120 PSI
1/8" BSP or NPT	20 PSI	25 PSI	30 PSI	34 PSI
1/4" BSP or NPT	20 PSI	25 PSI	30 PSI	34 PSI
3/8" BSP or NPT	20 PSI	25 PSI	30 PSI	34 PSI
1/2" BSP or NPT	25 PSI	30 PSI	34 PSI	40 PSI

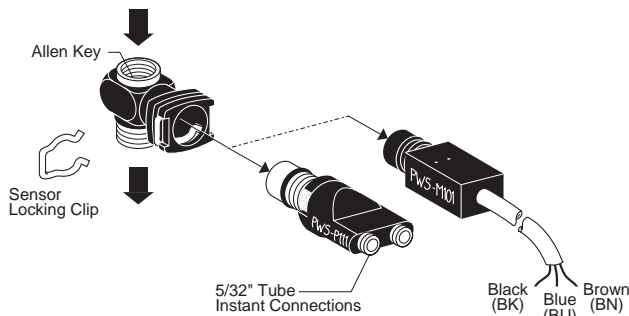


For inventory, lead times, and kit lookup, visit [www.pdnplu.com](http://www.pdnplu.com)

## Threshold Sensors

The plug-in threshold sensors provide feedback information on pneumatic cylinder status in either pneumatic or electrical outputs. Mounted into the cylinder port, these devices monitor the back pressure of the cylinder's exhaust. When the cylinder's piston stops, the back pressure rapidly drops and the threshold sensor provides the desired output. Ideal for variable stroke applications such as robotics where other sensor type devices such as limit switches are impractical, these devices provide a signal whenever the cylinder stops motion.

The threshold sensor consists of two complementary sub assemblies (1) the banjo fitting and (2) the plug-in sensor element. In all cases, the sensor is easily plugged into the banjo fitting and locked in place with a spring clip. The banjo fitting is designed to accept (piggy backed) other functional fittings such as flow controls or blocking valves. Simply select the sensor based on the type feedback signal that best fits the application.



### Material specifications

Body	Thermoplastic
Mounting screw	Brass

### Banjo Sockets (with Sensor Clip)

Port size	Wrench	Part number
10-32	5/16" Hex	<b>PWSB1557</b>
1/8"	3/16" Allen	<b>PWSB1887</b>
1/4"	5/16" Allen	<b>PWSB1997</b>
3/8"	3/8" Allen	<b>PWSB1337</b>
1/2"	1/2" Allen	<b>PWSB1227</b>



### Plug-in Sensors

Output	Connection	Part number
Pneumatic	5/32" push-in	<b>PWSP111</b>
Electrical	3-wire cable (6 ft)	<b>PWSM1012</b>

Most popular.



### Operating information

Operating pressure: 0 to 150 PSIG (0 to 10.3 bar)  
 Operating temperature:  
 Operating 5°F to 140°F (-15°C to 60°C)  
 Storage -40°F to 160°F (-40°C to 70°C)

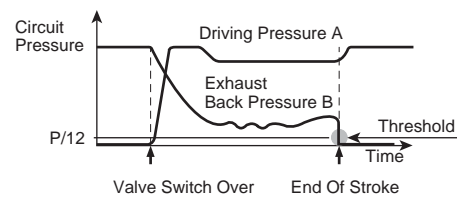
**Caution:** If it is possible that the ambient temperature may fall below freezing, the medium must be moisture free to prevent internal damage or unpredictable behavior.

### Mounting

Banjo fittings in 10-32 to 1/2" pipe sizes are designed to be installed directly into actuator ports (up to 5" bore cylinders). The banjo fitting can accommodate other functional fittings and components such as right angle flow control valves or blocking valves. Banjo fittings screw into actuators using an Allen wrench or 5/16" hex head wrench for 10-32 size. Electrical or pneumatic feedback element snaps into place using a locking clip.

### Operation

Pneumatic sensors have a continuous pressure signal applied to the sensor device. Electrical sensors have a continuous electrical signal applied to the sensor device. The threshold sensor assembly mounted directly into the cylinder Port provides an output signal S, which can be pneumatic or electrical, when the falling back pressure in the exhausting chamber of the cylinder reaches the operating threshold (approximately 6-9 PSIG). (The device is a normally passing device. The output is only on when there is nearly zero pressure at the cylinder.)



Flow Controls & Check Valves

Misc Accessories

Integrated Fittings

Accessories

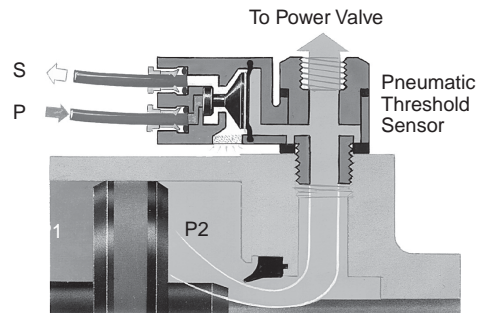
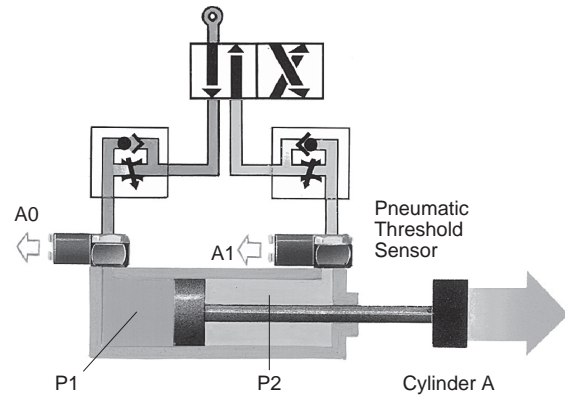
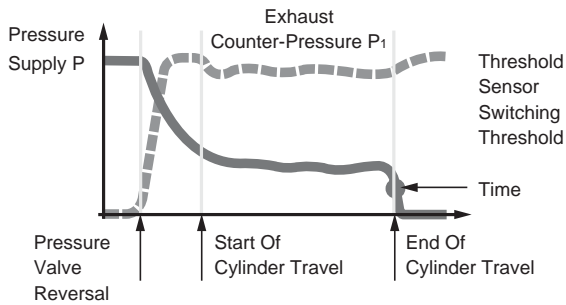


For inventory, lead time, and kit lookup, visit [www.pdnplu.com](http://www.pdnplu.com)

**Specifications**

Maximum Operating Frequency	10 Hz
Pilot Pressure (PWSP111)	>64 PSIG (4.4 bar)
Threshold Pressure	6 to 9 PSIG (.4 to .6 bar)
Output Flow Rate (PWSP111)	3 SCFM at 90 PSIG
Current Rating (PWSM1012) –	5 VA, 250 VAC 5W, 48 VAC
Life Expectancy –	10 million cycles with dry air at 90 PSIG, 68°F, and 1 Hz operating frequency
Voltage Range (PWSM1012) –	12 - 240 VAC 12 - 48 VDC

Air Quality – Standard Shop Air, Lubricated or Dry 40 µm Filtration



**PWS General Characteristics**

Permissible Fluids	Air or neutral gas, 50 µm filtration, lubricated or not
Flow	N/A
Mechanical Life	10 Million
Maximum Operating Frequency	10Hz
Maximum Mounting Torque:	
10-32 UNF and M5	88 inch pounds
1/8"	70 inch pounds
1/4"	105 inch pounds
3/8"	265 inch pounds
1/2"	310 inch pounds
Adjustment	N/A
Adjustment Locking	N/A

**Piloting and De-Piloting Pressure**

Threshold sensors	Pilot with operating pressure of 90 PSI	Depilot with operating pressure of 90 PSI
PWSP111	64 PSI	6 PSI
PWSM1012	15 PSI	9 PSI
PWSE101 and PWSE111	10 PSI	7 PSI

Flow Controls  
& Check Valves

Misc  
Accessories

Integrated  
Fittings

Accessories



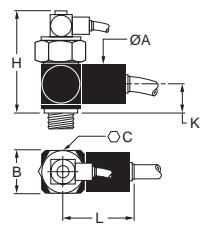
Fluid Power		Universal Description	Electrical	
Function	Symbol		Function	Symbol
Normally Closed (N.C.)	2-Way	Normally Non-Passing (NNP)	Normally Open (N.O.)	
	3-Way			
Normally Open (N.O.)	2-Way	Normally Passing (NP)	Normally Closed (N.C.)	
	3-Way			



For inventory, lead times, and kit lookup, visit [www.pdnplu.com](http://www.pdnplu.com)

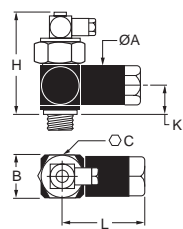
**Blocking Valves**

**PWBA14/34**



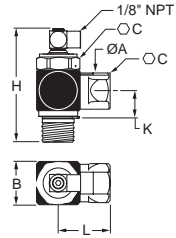
ØA	B	C	K	H	L	Flow*	Part number
0.86" (22)	0.82" (21)	0.94" (24)	0.53" (13.5)	2.32" (59)	1.54" (39)	14.8	PWBA1468/3468
0.86" (22)	0.82" (21)	0.94" (24)	0.53" (13.5)	2.09" (53)	1.54" (39)	19.4	PWBA1469/3469 PWBA1489
1.06" (27)	1.10" (28)	0.94" (24)	0.55" (14)	2.09" (53)	1.98" (50)	45.9	PWBA1483 PWBA1493/3493
1.22" (31)	1.30" (33)	1.30" (33)	0.94" (24)	2.59" (66)	2.59" (66)	81.2	PWBA1412/3412

**PWBA18/38**



0.86" (22)	0.82" (21)	0.94" (24)	0.53" (13.5)	2.32" (59)	1.71" (43.5)	14.8	PWBA1898/3888
0.86" (22)	0.82" (21)	0.94" (24)	0.53" (13.5)	2.09" (53)	1.71" (43.5)	19.4	PWBA1899/3899
1.06" (27)	1.10" (28)	0.94" (24)	0.55" (14)	2.09" (53)	2.18" (55)	45.9	PWBA1833/3833
1.22" (31)	1.30" (33)	1.30" (33)	0.94" (24)	2.59" (66)	2.47" (63)	81.2	PWBA1822/3822

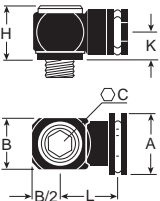
**PWBA38**



0.75" (19)	0.87" (22)	0.83" (21)	0.67" (17)	2.20" (56)	1.73" (44)	14.8	PWBA38887
0.75" (19)	0.87" (22)	0.83" (21)	0.67" (17)	2.20" (56)	1.73" (44)	19.4	PWBA38997
1.06" (27)	1.18" (30)	1.06" (27)	0.91" (23)	2.64" (67)	1.42" (36)	45.9	PWBA38337
1.06" (27)	1.18" (30)	1.06" (27)	0.91" (23)	2.64" (67)	1.42" (36)	81.2	PWBA38227

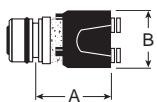
**Threshold Sensors**

**Banjo Socket**



A	B	C	H	K	L	Part number
.98 (25)	.43 (11)	5/16" Hex	.79 (20)	.40 (10)	.67 (17)	PWSB1557
.98 (25)	.63 (16)	3/16" Allen	.71 (18)	.40 (10)	.79 (20)	PWSB1887
.98 (25)	.83 (21)	5/16" Allen	.71 (18)	.40 (10)	.87 (22)	PWSB1997
.98 (25)	1.10 (28)	3/8" Allen	.79 (20)	.47 (12)	.98 (25)	PWSB1337
.98 (25)	1.30 (33)	1/2" Allen	.93 (24)	.55 (14)	1.02 (26)	PWSB1227

**PWSP111**



A	B	Part number
.87 (22)	.79 (20)	PWSP111
1.26 (32)	.79 (20)	PWSM1012

**PWSM1012**



Flow Controls  
& Check Valves

Misc  
Accessories

Integrated  
Fittings

Accessories

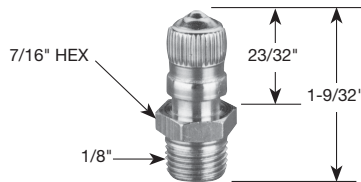


## Tank Valves

For tanks, steel barrels, compressors and other pneumatic containers where a dependable automatic air valve is needed. Equipped with standard valve core and sealing cap. Maximum operating pressure is 185 PSIG. Temperature range is -40°F to 220°F.

### 091660060, 1/8" pipe thread, dome shaped cap

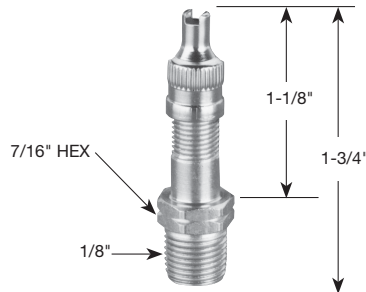
Has a 1/8" pipe thread at bottom for minimum protrusion. N/P finish, dome shaped cap.



Thread size	Box qty	Part number
1/8	25	<b>091660060</b>

### 006450060, 1/8" pipe thread at bottom, screwdriver type cap

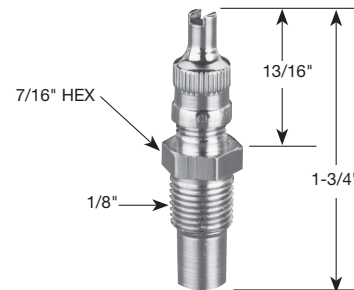
A 1/8" pipe thread at bottom permits maximum protrusion. N/P finish, screwdriver type cap.



Thread size	Box qty	Part number
1/8	25	<b>006450060</b>

### 014680006, 1/8" pipe thread part way up the stem, screwdriver type cap

Has a 1/8" pipe thread part way up the stem which allows for minimum protrusion. N/P finish, has screwdriver type cap.



Thread size	Box qty	Part number
1/8	25	<b>014680006</b>

Flow Controls  
 & Check Valves

Misc  
 Accessories

Integrated  
 Fittings

Accessories



Most popular.

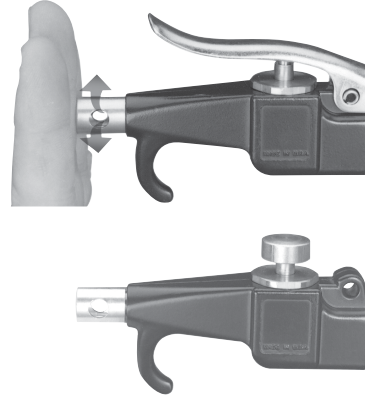


For inventory, lead times, and kit lookup, visit [www.pdnplu.com](http://www.pdnplu.com)

**O.S.H.A. Certification** — All safety blow guns conform to the requirements of Compressed Air Standards as currently described in the U.S. Bureau of Labor Standards, paragraph 1910.242, when pressurized at the inlet to a maximum of 100 PSIG. Conform to current O.S.H.A. Directive No. 100-1.

## Brass Nozzle Blow Guns

Contoured lever or button control both provide a natural, comfortable grip even when used with gloves. Finger guard and hang-up hook for finger protection and quick safe storage. Die cast zinc body, painted finish.



### Brass Nozzle Blow Gun

Type	Inlet port	SCFM rating*	Part number
Lever operated	1/4	20	<b>004750010</b>
Button operated	1/4	20	<b>004700010</b>

\* Based on 100 PSIG inlet pressure.

Flow Controls  
& Check Valves

Misc  
Accessories

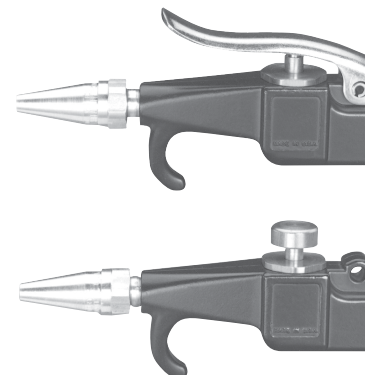
Integrated  
Fittings

Accessories



## Vortec FLO-GAIN Blow Guns

A quiet Vortec FLO-GAIN nozzle is combined with a high performance blow gun. Compressed air attains sonic velocity through an adjustable slot and attaches to the exterior surface of the cone shaped nozzle. Settings are shown on a micrometer dial. Sound level of 80 dBA with 80 PSIG inlet. Finger guard and hang-up hook offers desirable finger protection and quick secure storage. Die cast zinc body, painted finish.



### Vortec FLO-GAIN Blow Gun

Type	Inlet port	SCFM rating*	Part number
Lever operated	1/4	70+	<b>004750900</b>
Button operated	1/4	70+	<b>004700900</b>

\* Based on 100 PSIG inlet pressure.

## Self-Regulating Blow Gun

Designed with integral self-regulating pressure reducing valve for automatic shut-off when nozzle is blocked. Prevents air pressure buildup over 30 PSIG in compliance with U.S. Dept. of Labor standards.

Air shield aids in protecting the operator against blow back of flying chips of dirt. Designed to operate at less than 90 dBA to comply with government regulations. Die cast zinc body, painted finish.



### Self-Regulating Blow Gun

Type	Inlet port	SCFM rating*	Part number
Lever operated	1/4	10	<b>004750010</b>

\* Based on 100 PSIG inlet pressure.

  Most popular.

### Performance Data

Inlet Pressure	Blocked Pressure	Sound Level
70 PSIG	17.0 PSIG	79 dBA
100 PSIG	21.0 PSIG	83 dBA
175 PSIG	28.0 PSIG	87 dBA



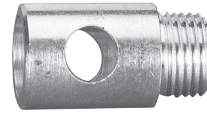
For inventory, lead time, and kit lookup, visit [www.pdnplu.com](http://www.pdnplu.com)



## Brass Nozzle

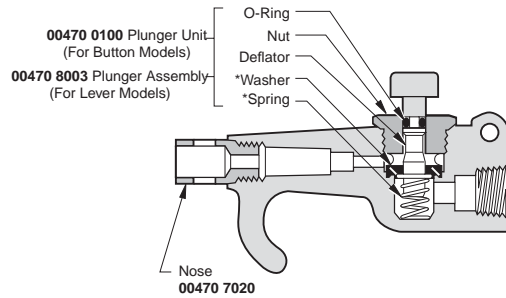
### 004707020

General purpose nozzles are supplied as standard on 004700010 and 004750010 blow guns. Conform to the requirements of the Williams Steiger Occupational Safety and Health Act of 1970, paragraph 1910.242 when fitted with blow guns pressurized at the inlet to a maximum of 100 PSIG. Conform to O.S.H.A. Directive 100-1.



	Part number
Brass Nozzle	<b>004707020</b>

## 470 and 475 Series Blow Guns



\* Contained in Service Kit No. **00470 0090**

Flow Controls  
& Check Valves

Misc  
Accessories

Integrated  
Fittings






























Accessories



Most popular.



For inventory, lead times, and kit lookup, visit [www.pdnplu.com](http://www.pdnplu.com)

<b>Compact Flow Control Valves</b>	<b>FCC731</b> Meter Out  Page F27	<b>FCC731</b> Meter Out - BSPP  Page F27	<b>FCCB731</b> Bi-Directional Flow Control  Page F27	<b>FCCB731</b> Bi-Directional Flow Control - BSPP  Page F27	<b>FCCK731</b> Knobless Meter Out Flow Control  Page F28
	<b>FCCK731</b> Knobless Flow Control - BSPP  Page F28	<b>FCCKB731</b> Knobless Bi-Directional Flow Control - BSPP  Page F28	<b>Miniature Flow Control Valves</b>	<b>FCM731</b> Meter Out Flow Control  Page F29	<b>FCM731</b> Flow Control - BSPP  Page F29
<b>FCMK731</b> Knobless Mini Meter Out Flow Control  Page F29	<b>Swivel Outlet Flow Control Valves</b>	<b>FCCS731</b> Compact Swivel Outlet Flow Control  Page F30		<b>FCMS731</b> Mini Swivel Outlet Flow Control  Page F30	<b>FCMS731</b> Miniature Swivel Outlet - BSPP  Page F30
<b>Plug-In Flow Control Valves</b>		<b>FCMSP731</b> Mini Flow Control  Page F31	<b>FCMSP701</b> Miniature Flow Control  Page F31	<b>FCCSP731</b> Compact Flow Control  Page F31	
	<b>In-Line Flow Control Valves</b>	<b>FC832</b> Flow Control  Page F32	<b>FCB832</b> Bi-Directional Flow Control  Page F32	<b>FCPM832</b> Panel Mountable Flow Control  Page F33	<b>FC836</b> Threaded Flow Control  Page F33
<b>Compact Metal Flow Control Valves</b>		<b>FC705</b> Push-to-Connect Metal Flow Control  Page F34	<b>FC701</b> Push-to-Connect Metal Flow Control - BSPP  Page F34	<b>FC708</b> Threaded Port Meter Out Flow Control  Page F34	<b>FC702</b> Threaded Port Metal Flow Control - BSPP  Page F34
	<b>Flow Control Check Valves</b>	<b>32PLCK</b> In-Line Check Valve  Page F35	<b>W68PLCK</b> Male Check Valve  Page F35	<b>W68PLCKI</b> Male Check Valve Meter In  Page F35	<b>68PLCK</b> Male Check Valve Meter Out - BSPP  Page F36
<b>VC</b> Check Valve  Page F36					









Flow Controls & Check Valves

Misc Accessories

Integrated Fittings

Accessories



<b>Blocking Flow Control Valves</b>	<b>FC601</b> Push-to-Connect Lock Out Valves  Page F37	<b>FC601</b> Push-to-Connect Lock-Out Valve - BSPP  Page F37	<b>FC602</b> Threaded Port Lock Out Valves  Page F37	<b>FC608</b> Threaded Port Lock-Out Valve - BSPP  Page F37	
	<b>Threshold Sensor</b>	<b>PSBJ731</b> Pneumatic - 5/32 Pilot  Page F38	<b>PSBJ731</b> Pneumatic - 4mm Pilot  Page F38	<b>PSPJ731</b> Pneumatic - 10-32 Pilot  Page F38	<b>PSBJ708</b> Pneumatic - M5 Pilot  Page F38

Flow Controls  
& Check Valves

Misc  
Accessories

Integrated  
Fittings

Accessories



## Compact Flow Control Valves

Compact flow control regulators ensure excellent performance of flow and are perfectly suited for reduced spaces due to their small size. The sensitivity of the adjustment screw provides very precise air flow control and regulation. A locking nut guarantees stability of adjustment against vibration tampering of the flow setting.



### Material Specifications

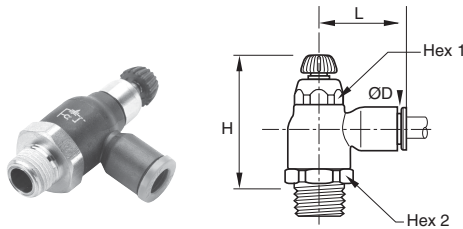
Body (depending upon the model)	Glass reinforced nylon 6.6 Brass
Gripping Ring	Stainless Steel
Adjustment Screws	Nickel-plated brass
Locking Nut	Nickel-plated brass
Base	Nickel-plated brass

### Applicable Tube

Tube O.D.	1/8, 5/32, 1/4, 3/8
Tube O.D. (mm)	4, 6, 8, 10, 12

### Operating information

Pressure range:	15 to 145 PSI
Temperature range:	30°F to 160°F
Working fluid:	Compressed air



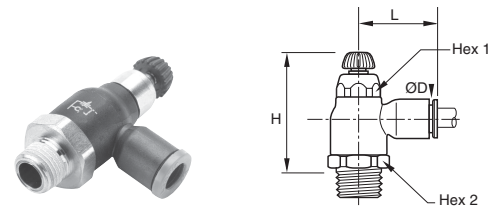
### FCC731 Compact Meter Out - NPT

Tube size (In)	NPT	Hex 1 (In)	Hex 2 (In)	H Open	H Closed	L	Part number
5/32	1/8	0.63	0.39	1.67	1.44	0.85	<b>FCC731-5/32-2</b>
	1/4	0.63	0.39	1.67	1.44	0.85	<b>FCC731-5/32-4</b>
1/4	1/8	0.63	0.39	1.67	1.44	0.85	<b>FCC731-4-2</b>
	1/4	0.63	0.39	1.67	1.44	0.85	<b>FCC731-4-4</b>
3/8	1/4	0.91	0.67	2.03	1.71	1.22	<b>FCC731-6-4</b>
	3/8	0.91	0.67	2.03	1.71	1.22	<b>FCC731-6-6</b>

### FC731 Compact Meter Out - BSPP

Tube size (mm)	BSPP	Hex 1 (mm)	Hex 2 (mm)	H Open	H Closed	L	Part number
4	1/8	10	16	38.0	44.0	22.0	<b>FCC731-4M-2G</b>
	1/8	10	16	38.0	44.0	22.0	<b>FCC731-6M-2G</b>
6	1/4	10	16	36.5	42.5	22.0	<b>FCC731-6M-4G</b>
	1/8	14	19	41.5	48.0	28.0	<b>FCC731-8M-2G</b>
8	1/4	14	19	41.5	48.0	28.0	<b>FCC731-8M-4G</b>
	3/8	14	19	41.5	48.0	28.0	<b>FCC731-8M-6G</b>
10	1/4	17	23	45.5	53.5	31.5	<b>FCC731-10M-4G</b>
	3/8	17	23	45.5	54.0	31.5	<b>FCC731-10M-6G</b>
12	3/8	17	23	45.5	54.0	35.0	<b>FCC731-12M-6G</b>
	1/2	17	24	45.5	54.0	35.0	<b>FCC731-12M-8G</b>

Most popular.



### FCCB731 Compact Bi-Directional Flow Control - NPT

Tube size (In)	NPT	Hex 1 (In)	Hex 2 (In)	H Open	H Closed	L	Part number
5/32	1/8	0.63	0.39	1.67	1.44	0.85	<b>FCCB731-5/32-2</b>
	1/8	0.63	0.39	1.67	1.44	0.85	<b>FCCB731-4-2</b>
1/4	1/4	0.63	0.39	1.67	1.44	0.85	<b>FCCB731-4-4</b>

### FCCB731 Compact Bi-Directional Flow Control - BSPP

Tube size (mm)	BSPP	Hex 1 (mm)	Hex 2 (mm)	H Open	H Closed	L	Part number
4	1/8	10	16	38.0	44.0	22.0	<b>FCCB731-4M-2G</b>
	1/8	10	16	38.0	44.0	22.0	<b>FCCB731-6M-2G</b>
6	1/4	10	16	36.5	42.5	22.0	<b>FCCB731-6M-4G</b>
	1/8	14	19	41.5	48.0	28.0	<b>FCCB731-8M-2G</b>
8	1/4	14	19	41.5	48.0	28.0	<b>FCCB731-8M-4G</b>
	3/8	14	19	41.5	48.0	28.0	<b>FCCB731-8M-6G</b>

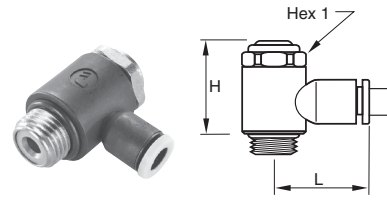
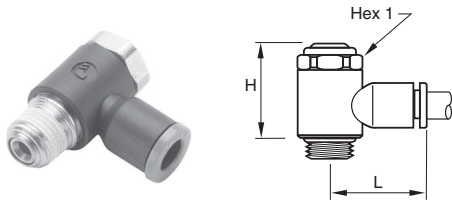
Flow Controls & Check Valves

Misc Accessories

Integrated Fittings

Accessories





**FCKC731 Knobless Meter Out Flow Control - NPT**

Tube size (In)	NPT / UNF	Hex 1 (In)	H	L	Part number
1/8	10-32	10-32	-	0.69	<b>FCKC731-2-0</b>
	1/8	1/8	13	0.79	<b>FCKC731-2-2</b>
5/32	10-32	10-32	-	0.69	<b>FCKC731-5/32-0</b>
	1/8	1/8	13	0.79	<b>FCKC731-5/32-2</b>
1/4	10-32	10-32	-	0.69	<b>FCKC731-4-0</b>
	1/8	1/8	13	0.79	<b>FCKC731-4-2</b>
5/16	1/4	1/4	17	1.04	<b>FCKC731-4-4</b>
	1/8	1/8	13	0.79	<b>FCKC731-5-2</b>
3/8	1/4	1/4	17	1.04	<b>FCKC731-5-4</b>
	3/8	3/8	20	1.14	<b>FCKC731-6-6</b>

**FCKCB731 Knobless Bi-Directional Flow Control - BSPP**

Tube size (In)	BSPP / M5	Hex 1 (In)	H	L	Part number
4	M5X0.8	8	17.5	17.0	<b>FCKCB731-4M-M5</b>
	1/8	13	25.0	19.0	<b>FCKCB731-4M-2G</b>
6	M5X0.8	8	17.5	19.0	<b>FCKCB731-6M-M5</b>
	1/8	13	25.0	21.0	<b>FCKCB731-6M-2G</b>
8	1/4	17	26.5	22.0	<b>FCKCB731-6M-4G</b>
	1/8	13	25.0	26.0	<b>FCKCB731-8M-2G</b>
8	1/4	17	26.5	27.0	<b>FCKCB731-8M-4G</b>
	3/8	20	37.5	29.0	<b>FCKCB731-8M-6G</b>

**FCKC731 Knobless Meter Out Flow Control - BSPP**

Tube size (mm)	BSPP / M5	Hex 1 (mm)	H	L	Part number
4	M5X0.8	8.0	17.5	17.0	<b>FCKC731-4M-M5</b>
	1/8	13.0	25.0	19.0	<b>FCKC731-4M-2G</b>
6	M5X0.8	8.0	17.5	19.0	<b>FCKC731-6M-M5</b>
	1/8	13.0	25.0	21.0	<b>FCKC731-6M-2G</b>
8	1/4	17.0	26.5	22.0	<b>FCKC731-6M-4G</b>
	1/8	13.0	25.0	26.0	<b>FCKC731-8M-2G</b>
8	1/4	17.0	26.5	27.0	<b>FCKC731-8M-4G</b>
	3/8	20.0	37.5	29.0	<b>FCKC731-8M-6G</b>
10	1/4	17.0	26.5	29.0	<b>FCKC731-10M-4G</b>
	3/8	20.0	37.5	31.0	<b>FCKC731-10M-6G</b>
12	1/2	23.0	43.0	37.0	<b>FCKC731-10M-8G</b>
	3/8	20.0	37.5	6.8	<b>FCKC731-12M-6G</b>
	1/2	23.0	43.0	37.0	<b>FCKC731-12M-8G</b>

Flow Controls & Check Valves

Misc Accessories

Integrated Fittings

Accessories



For inventory, lead times, and kit lookup, visit [www.pdnplu.com](http://www.pdnplu.com)

## Miniature Flow Control Valves

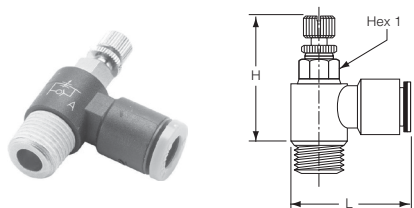
The miniature flow control regulator is especially adapted for all very small sized pneumatic applications (micro-pneumatic in particular). They are specifically designed for use with small bore cylinders (pancake / flat cylinders). Miniature flow control regulators are available in meter out, meter in and Bi-Directional versions.

### Material Specifications

Body (depending upon the model)	Glass reinforced nylon 6.6 Brass
Gripping Ring	Stainless Steel
Adjustment Screws	Nickel-plated brass
Locking Nut	Nickel-plated brass
Base	Nickel-plated brass

### Applicable Tube

Tube O.D.	1/8, 5/32, 1/4
Tube O.D. (mm)	3, 4, 6, 8



### FCM731 Miniature Meter Out Flow Control - NPT

Tube size (in)	NPT	Hex 1 (mm)	H Open	H Closed	L	Part number
1/8	10-32	6	1.14	0.91	0.67	<b>FCM731-2-0</b>
	1/8	7	1.41	1.26	0.69	<b>FCM731-2-2</b>
5/32	10-32	6	1.02	0.93	0.67	<b>FCM731-5/32-0</b>
	1/8	7	1.16	1.06	0.71	<b>FCM731-5/32-2</b>
1/4	10-32	6	1.02	0.93	0.73	<b>FCM731-4-0</b>
	1/8	7	1.16	1.06	0.75	<b>FCM731-4-2</b>
	1/4	8	1.28	1.18	0.77	<b>FCM731-4-4</b>

### FCM731 Miniature Meter Out Flow Control - BSPP

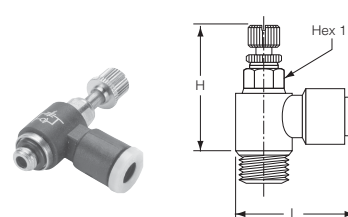
Tube size (mm)	BSPP	Hex 1 (mm)	H Closed	H Open	L	Part number
3	M3X0.5	6	23.5	26.0	17.0	<b>FCM731-3M-M3</b>
	M5X0.8	6	23.5	26.0	17.0	<b>FCM731-3M-M5</b>
4	M3X0.5	6	23.5	26.0	16.5	<b>FCM731-4M-M3</b>
	M5X0.8	6	23.5	26.0	17.0	<b>FCM731-4M-M5</b>
6	1/8	7	27.0	29.5	18.0	<b>FCM731-4M-2G</b>
	M5X0.8	6	23.5	26.0	18.0	<b>FCM731-6M-M5</b>
8	1/8	7	27.0	29.5	18.5	<b>FCM731-6M-2G</b>
	1/4	8	30.0	32.5	19.0	<b>FCM731-6M-4G</b>
8	1/8	13	26.5	31.0	26.0	<b>FCM731-8M-2G</b>
	1/4	16	29.0	34.0	27.5	<b>FCM731-8M-4G</b>
	3/8	20	36.0	42.0	29.0	<b>FCM731-8M-6G</b>

Most popular.



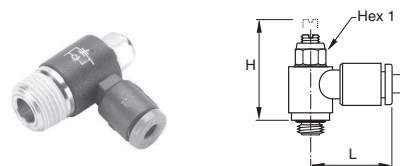
### Operating information

Pressure range:	15 to 145 PSI
Temperature range:	30°F to 160°F
Working fluid:	Compressed air



### FCMB731 Miniature Bi-Directional Flow Control - BSPP

Tube size (mm)	BSPP	Hex 1	H Open	H Closed	L	Part number
4	M5X0.8	6	23.5	26.0	16.5	<b>FCMB731-4M-M5</b>
	1/8	7	27.0	29.5	17.0	<b>FCMB731-4M-2G</b>
6	M5X0.8	6	23.5	26.0	18.0	<b>FCMB731-6M-M5</b>
	1/8	7	27.0	29.5	18.0	<b>FCMB731-6M-2G</b>
6	1/4	8	30.0	32.5	18.5	<b>FCMB731-6M-4G</b>



### FCMB731 Miniature Bi-Directional Flow Control - BSPP

Tube size (in)	NPT	Hex 1 mm	H Open	H Closed	L	Part number
1/8	10-32	6	0.79	0.65	0.65	<b>FCMK731-2-0</b>
	1/8	6	0.85	0.71	0.71	<b>FCMK731-2-2</b>
5/32	10-32	6	0.79	0.65	0.65	<b>FCMK731-5/32-0</b>
	1/8	6	0.85	0.71	0.71	<b>FCMK731-5/32-2</b>
1/4	10-32	6	0.79	0.65	0.65	<b>FCMK731-4-0</b>
	1/8	6	0.85	0.71	0.73	<b>FCMK731-4-2</b>
	1/4	6	0.97	0.83	0.73	<b>FCMK731-4-4</b>

Flow Controls  
& Check Valves

Misc  
Accessories

Integrated  
Fittings

Accessories





## Swivel Outlet Flow Control Valves

Flow control regulators with “swivel outlet” are especially designed to allow a vertical or angled tube exit where access is restricted. The swivel outlet comes with instant push-in connection to ease installation. Flow control regulators with swivel outlet are available in meter out and meter in versions.



### Material Specifications

Body	Glass reinforced nylon 6.6
Gripping Ring	Stainless Steel
Adjustment Screws	Nickel-plated brass
Locking Nut	Nickel-plated brass
Base	Nickel-plated brass

### Applicable Tube

Tube O.D.	5/32, 1/4, 3/8
Tube O.D. (mm)	4, 6, 8, 10, 12

### Operating information

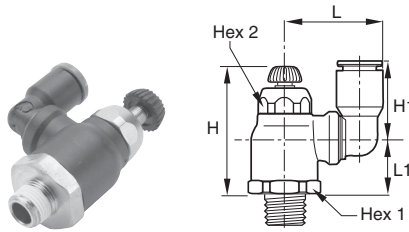
Pressure range:	15 to 145 PSI
Temperature range:	30°F to 160°F
Working fluid:	Compressed air

Flow Controls  
& Check Valves

Misc  
Accessories

Integrated  
Fittings

Accessories

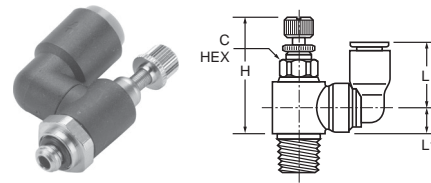


### FCCS731 Compact Swivel Outlet Flow Control

Tube size (In)	NPT	Hex 1 mm	Hex 2 mm	H Closed	H Open	H1	L	L1	Part number
1/4	1/8	19	10	1.87	2.09	0.63	0.93	0.65	<b>FCCS731-4-2</b>
	1/4	19	14	1.79	1.99	0.73	1.00	0.89	<b>FCCS731-4-4</b>
3/8	1/4	23	17	1.93	2.20	1.04	1.34	0.97	<b>FCCS731-6-4</b>
	3/8	23	17	1.93	2.20	1.04	1.34	0.97	<b>FCCS731-6-6</b>

### FCCS731 Compact Swivel Outlet - BSPP

Tube size (In)	BSPP	Hex 1 mm	Hex 2 mm	H Closed	H Open	H1	L	L1	Part number
6	1/8	16	10	38.0	44.0	16.0	23.5	18.0	<b>FCCS731-6M-2G</b>
	1/4	16	10	36.5	42.5	16.0	23.5	16.5	<b>FCCS731-6M-4G</b>
8	1/8	19	14	41.5	48.0	23.0	28.0	19.0	<b>FCCS731-8M-2G</b>
	1/4	19	14	41.5	48.0	23.0	28.0	19.5	<b>FCCS731-8M-4G</b>
10	3/8	19	14	41.5	48.0	23.0	28.0	17.5	<b>FCCS731-8M-6G</b>
	1/4	23	17	45.5	53.5	26.5	35.0	21.0	<b>FCCS731-10M-4G</b>
	3/8	23	17	45.5	54.0	26.5	35.0	21.5	<b>FCCS731-10M-6G</b>
12	3/8	23	17	45.5	54.0	31.0	38.0	21.5	<b>FCCS731-12M-6G</b>
	1/2	23	17	45.5	54.0	31.0	38.0	21.0	<b>FCCS731-12M-8G</b>



### FCMS731 Mini Swivel Outlet Flow Control

Tube size (In)	NPT	Hex 1 mm	H Closed	H Open	H1	L	L1	Part number
5/32	10-32	6	0.96	1.08	0.55	0.73	0.26	<b>FCMS731-5/32-0</b>
	1/8	8	1.08	1.20	0.55	0.73	0.33	<b>FCMS731-5/32-2</b>

### FCMS731 Miniature Swivel Outlet - BSPP

Tube size (In)	BSPP	Hex 1 mm	H Closed	H Open	H1	L	L1	Part number
4	M5X0.8	6	24.5	27.5	14.5	19.5	6.5	<b>FCMS731-4M-M5</b>
	1/8	7	27.5	31.0	14.5	20.0	8.5	<b>FCMS731-4M-2G</b>
6	M5X0.8	6	24.5	27.5	16.0	21.5	6.5	<b>FCMS731-6M-M5</b>
6	1/8	7	27.5	31.0	16.0	22.0	8.5	<b>FCMS731-6M-2G</b>



## Plug-In Flow Control Valves

Plug-in flow control regulators can be directly mounted into existing fittings and allow very compact installations. They are particularly suited for mounting in manifolds using cartridges. Their design and function give equal performance to that of flow control regulators with threaded connections.

### Material Specifications

Body	Glass reinforced nylon 6.6
Gripping Ring	Stainless Steel
Adjustment Screws	Nickel-plated brass
Locking Nut	Nickel-plated brass
Tailpiece	Nickel-plated brass

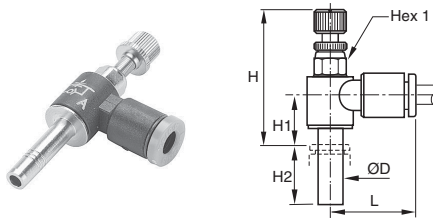
### Applicable Tube

Tube O.D.	1/8, 5/32, 1/4
Tube O.D. (mm)	4, 6, 8, 10, 12



### Operating information

Pressure range:	15 to 145 PSI
Temperature range:	30°F to 160°F
Working fluid:	Compressed air

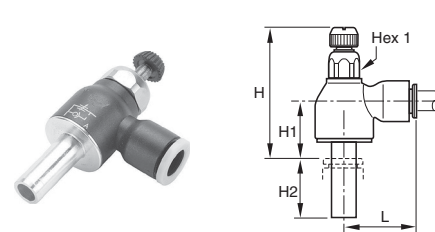


### FCMS731 Plug-In Mini Flow Control

Tube size (In)	Hex 1 mm	H Open	H Closed	H1	H2	L	Part number
1/8	6	1.04	0.94	0.12	0.59	0.67	<b>FCMS731-2</b>
5/32	6	1.10	1.00	0.37	0.61	0.67	<b>FCMS731-5/32</b>
1/4	7	1.18	1.08	0.12	0.73	0.73	<b>FCMS731-4</b>

### FCMS701 - Plug-In Miniature Flow Control

Tube size (mm)	Hex 1 mm	H Closed	H Open	H1	H2	L	Part number
4	6	25.5	28.0	9.5	15.5	17.0	<b>FCMS701-4M</b>
6	7	27.5	29.0	10.5	17.0	18.5	<b>FCMS701-6M</b>



### FCCSP731 Plug-In Compact Flow Control

Tube size (mm)	Hex 1 mm	H Closed	H Open	H1	H2	L	Part number
6	10	35.0	41.0	14.0	17.0	22.0	<b>FCCSP731-6M</b>
8	14	39.5	46.5	16.0	21.5	28.0	<b>FCCSP731-8M</b>
10	17	43.5	51.5	17.5	24.5	31.5	<b>FCCSP731-10M</b>
12	17	43.0	51.0	17.0	27.0	31.5	<b>FCCSP731-12M</b>

Flow Controls  
& Check Valves

Misc  
Accessories

Integrated  
Fittings

Accessories



## In-Line Flow Control Valves

In-line flow controls are unidirectional flow control valves. Intake air flows freely through the flow control; exhaust air is metered out through a specially designed adjustment screw. An arrow on the body of the valve indicates the direction of controlled flow. They can be easily added to existing circuitry. Simply splice it into the cylinder port line.

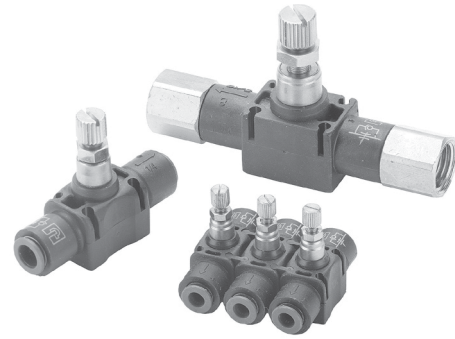
They can be used individually or they may be stacked together using two joining clips.

### Material Specifications

Body	Glass reinforced nylon 6.6
Gripping Ring	Stainless Steel
Adjustment Screws	Nickel-plated brass
Locking Nut	Nickel-plated brass
Tailpiece	Nickel-plated brass

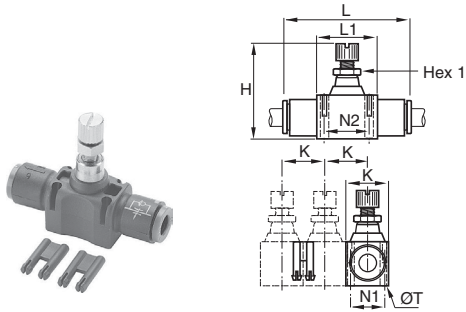
### Applicable Tube

Tube O.D.	5/32, 1/4, 5/16, 3/8, 1/2
Tube O.D. (mm)	4, 6, 8, 10, 12



### Operating information

Pressure range:	15 to 145 PSI
Temperature range:	30°F to 160°F
Working fluid:	Compressed air

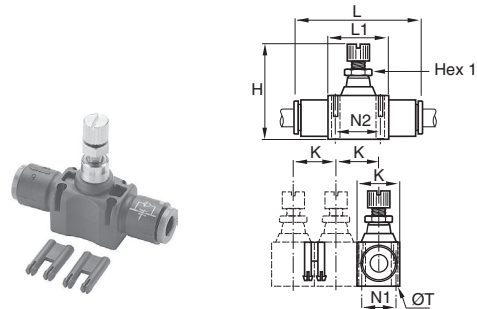


### FC832 In-Line Flow Control

Tube size (In)	Hex 1 mm	H Closed	H Open	K	L	L1	N1	N2	T	Part number
5/32	5	1.15	1.31	0.47	1.52	0.59	0.31	0.43	0.09	<b>FC832-5/32</b>
1/4	8	1.54	1.74	0.66	2.00	0.90	0.43	0.66	0.12	<b>FC832-4</b>
5/16	11	1.73	1.97	0.73	2.38	1.02	0.49	0.79	0.13	<b>FC832-5</b>
3/8	14	2.03	2.38	0.94	2.87	1.29	0.62	1.01	1.60	<b>FC832-6</b>
1/2	14	2.24	2.63	1.09	3.35	1.37	0.78	1.07	0.16	<b>FC832-8</b>

### FC832 In-Line Flow Control

Tube size (mm)	Hex 1 mm	H Closed	H Open	K	L	L1	N1	N2	T	Part number
4	5	29.5	33.5	12.0	39.0	15.0	8.0	11.0	2.2	<b>FC832-4M</b>
6	8	39.5	44.5	17.0	54.0	23.0	11.0	17.0	3.2	<b>FC832-6M</b>
8	11	44.0	50.0	18.5	60.5	26.0	12.5	20.0	3.2	<b>FC832-8M</b>
10	14	52.0	61.0	24.0	76.0	33.0	16.0	26.0	4.2	<b>FC832-10M</b>
12	14	57.5	67.5	28.0	86.0	35.0	20.0	27.5	4.2	<b>FC832-12M</b>

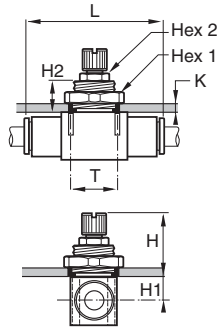
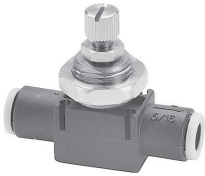


### FCB832 In-Line Bi-Directional Flow Control

Tube size (In)	Hex 1 mm	H Closed	H Open	K	L	L1	N1	N2	T	Part number
5/32	5	1.15	1.31	0.47	1.52	0.59	0.31	0.43	0.09	<b>FCB832-5/32</b>
1/4	8	1.54	1.74	0.66	2.00	0.90	0.43	0.66	0.12	<b>FCB832-4</b>
5/16	11	1.73	1.97	0.73	2.38	1.02	0.49	0.79	0.13	<b>FCB832-5</b>

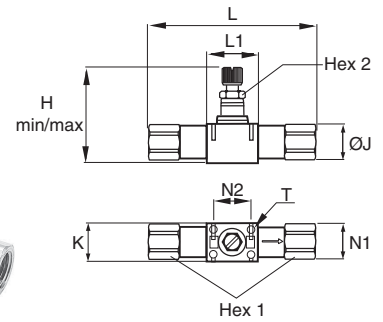
### FCB832 In-Line Bi-Directional Flow Control

Tube size (mm)	Hex 1 mm	H Closed	H Open	K	L	L1	N1	N2	T	Part number
4	5	29.5	33.5	12.0	39.0	15.0	8.0	11.0	2.2	<b>FCB832-4M</b>
6	8	39.5	44.5	17.0	54.0	23.0	11.0	17.0	3.2	<b>FCB832-6M</b>
8	11	44.0	50.0	18.5	60.5	26.0	12.5	20.0	3.2	<b>FCB832-8M</b>



**FCPM832 In-Line Panel Mountable Flow Control**

Tube size (mm)	Hex 1 mm	Hex 2 mm	H Closed	H Open	K	L	H1	H2	T	Part number
4	14		21.5	25.5	6.0	39.0	6.5	11.0	10.5	<b>FCPM832-4M</b>
6	19		27.5	32.5	7.0	54.0	7.5	13.5	16.5	<b>FCPM832-6M</b>
8	24	11	28.5	34.5	7.0	60.5	9.0	13.5	18.5	<b>FCPM832-8M</b>
10	30	14	29.5	38.5	7.0	76.0	11.5	13.5	24.5	<b>FCPM832-10M</b>
12	32	14	32.0	42.0	8.0	86.0	12.5	15.5	27.5	<b>FCPM832-12M</b>



**FC836 Threaded In-Line Flow Control**

NPT	Hex 1 mm	Hex 2 mm	H Closed	H Open	K	L	L1	N1	N2	T	Part number
1/8	13	8.00	1.56	1.75	0.67	2.70	0.91	0.43	0.67	0.12	<b>FC836-2</b>
1/4	16	11.00	1.73	1.97	0.73	3.27	1.02	0.49	0.79	0.12	<b>FC836-4</b>
3/8	22	14.00	2.05	2.40	0.94	3.82	1.30	0.63	1.02	0.16	<b>FC836-6</b>
1/2	24	14.00	2.26	2.66	1.10	4.76	1.38	0.79	1.08	0.16	<b>FC836-8</b>

**FC836 Threaded In-Line Flow Control - BSPP**

BSPP	Hex 1 mm	Hex 2 mm	H Closed	H Open	K	L	L1	N1	N2	T	Part number
1/8	13	8	39.5	44.5	17.0	68.5	23.1	11.0	17.0	3.2	<b>FC836-2G</b>
1/4	16	11	44.0	50.0	18.5	83.0	25.9	12.5	20.0	3.2	<b>FC836-4G</b>
3/8	19	14	52.0	61.0	24.0	97.0	33.0	16.0	26.0	4.2	<b>FC836-6G</b>
1/2	24	14	57.5	67.5	28.0	121.0	35.0	20.0	27.5	4.2	<b>FC836-8G</b>

Flow Controls & Check Valves

Misc Accessories

Integrated Fittings

Accessories



## Compact Metal Flow Control Valves

Metal flow control regulators are suited for use in severe conditions (temperatures, sparks, abrasion, etc). The screw and locking nut have been designed for easy manipulation, by hand. Adjustment can be made with a screwdriver and locking by use of a wrench.

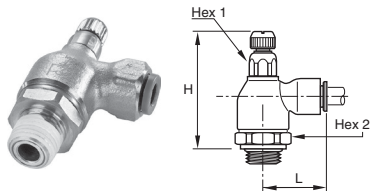


### Material Specifications

Body	Treated brass
Gripping Ring	Stainless Steel
Adjustment Screws	Nickel-plated brass
Locking Nut	Nickel-plated brass
Tailpiece	Nickel-plated brass

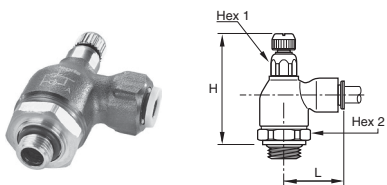
### Applicable Tube

Tube O.D.	1/8, 5/32, 1/4, 3/8
Tube O.D. (mm)	4, 6, 8, 10, 12, 14



### FC705 Push-to-Connect Metal Flow Control

Tube size (In)	NPT	Hex 1 mm	Hex 2 mm	H Closed	H Open	L	Part number
5/32	1/8	19	10	1.79	2.01	0.85	<b>FC705-5/32-2</b>
1/4	1/8	19	10	1.79	2.01	0.97	<b>FC705-4-2</b>
	1/4	19	10	1.79	2.01	0.97	<b>FC705-4-4</b>
3/8	1/4	19	14	1.91	2.11	1.14	<b>FC705-6-4</b>
	3/8	25	17	2.15	2.40	1.40	<b>FC705-6-6</b>

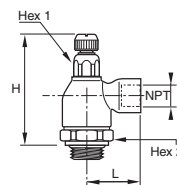


### FC701 Push-to-Connect Metal Flow Control - BSPP

Tube size (mm)	BSPP	Hex 1 mm	Hex 2 mm	H Closed	H Open	L	Part number
4	1/8	10	19	47.0	53.0	21.0	<b>FC701-4M-2G</b>
	1/8	10	19	47.0	53.0	24.5	<b>FC701-6M-2G</b>
6	1/4	10	19	47.5	53.0	24.5	<b>FC701-6M-4G</b>
	1/8	14	19	50.0	55.0	29.0	<b>FC701-8M-2G</b>
8	1/4	14	19	50.0	56.0	29.0	<b>FC701-8M-4G</b>
	3/8	17	25	56.0	62.0	30.5	<b>FC701-8M-6G</b>
10	1/4	14	19	50.0	56.0	35.0	<b>FC701-10M-4G</b>
	3/8	17	25	56.0	62.0	35.0	<b>FC701-10M-6G</b>
12	3/8	17	25	56.0	62.0	38.0	<b>FC701-12M-6G</b>
	1/2	17	25	55.0	62.0	38.0	<b>FC701-12M-8G</b>
14	1/2	17	25	55.0	62.0	41.0	<b>FC701-14M-8G</b>

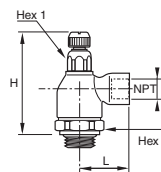
### Operating information

Pressure range:	15 to 145 PSI
Temperature range:	30°F to 160°F
Working fluid:	Compressed air



### FC708 Threaded Port Meter Out Flow Control

NPT	Hex 1 mm	Hex 2 mm	H Closed	H Open	L	L1	L2	Part number
1/8	19	10	1.79	2.01	0.89	0.87	1.14	<b>FC708-2</b>
1/4	19	14	1.91	2.11	1.28	0.87	1.28	<b>FC708-4</b>
3/8	25	17	2.15	2.40	1.36	0.91	1.44	<b>FC708-6</b>
1/2	25	17	2.15	2.40	1.50	0.91	1.50	<b>FC708-8</b>



### FC702 Threaded Port Meter Out Flow Control - BSPP

BSPP	Hex 1 mm	Hex 2 mm	H Closed	H Open	L	Part number
1/8	10	19	47.0	52.5	22.5	<b>FC702-2G</b>
1/4	14	19	50.5	55.5	32.0	<b>FC702-4G</b>
3/8	17	25	56.0	62.0	34.5	<b>FC702-6G</b>
1/2	17	25	55.0	62.0	37.5	<b>FC702-8G</b>

## Flow Control Check Valves

These in-line check valves allows air to pass in one direction while blocking flow in the other direction. Their extreme compactness and light weight make them suitable as a safety item in compressed air circuits. The body of the fitting contains an arrow to indicate the direction of flow.

### Material Specifications

Body	32PLCK: Nylon/nickel plated brass
	68PLCK: Nylon body with nickel-plated brass base
	VC: Acetal
Gripping Ring	Stainless Steel
O-ring	Nitrile (32PLCK & 68PLCK)
	EPDM (VC)

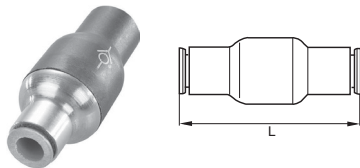
### Applicable Tube

Tube O.D.	PLCK: 5/32, 1/4, 5/16, 3/8
	VC: 1/4, 5/16, 3/8
Tube O.D. (mm)	PLCK: 4, 6, 8, 10, 12



### Operating information

Pressure range:	15 to 145 PSI
Temperature range:	34°F to 150°F
Cracking pressure:	PLCK: 7 PSI
	VC: 1/3 PSI
Working fluid:	Compressed air

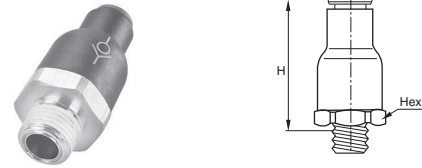


### 32PLCK In-Line Check Valve - NPT

Tube size (In)	L	Part number
5/32	1.52	<b>32PLCK-5/32</b>
1/4	1.61	<b>32PLCK-4</b>
5/16	2.03	<b>32PLCK-5</b>
3/8	2.50	<b>32PLCK-6</b>

### 32PLCK In-Line Check Valve - BSPP

Tube size (mm)	L	Part number
4	38.5	<b>32PLCK-4M</b>
6	41.0	<b>32PLCK-6M</b>
8	51.5	<b>32PLCK-8M</b>
10	63.5	<b>32PLCK-10M</b>
12	66.5	<b>32PLCK-12M</b>



### W68PLCK Male Check Valve

Tube size (In)	NPT/ UNF	Hex mm	H	Part number
5/32	10-32	9	1.26	<b>68PLCK-5/32-0</b>
5/32	1/8	16	1.12	<b>W68PLCK-5/32-2</b>
1/4	1/8	19	1.42	<b>W68PLCK-4-2</b>
1/4	1/4	19	1.42	<b>W68PLCK-4-4</b>
3/8	1/4	23	1.65	<b>W68PLCK-6-4</b>
3/8	3/8	23	1.65	<b>W68PLCK-6-6</b>

### W68PLCKI Male Check Valve Meter In

Tube size (in)	NPT/ UNF	Hex mm	H	Part number
5/32	10-32	9	1.26	<b>68PLCKI-5/32-0</b>
5/32	1/8	16	1.12	<b>W68PLCKI-5/32-2</b>
1/4	1/8	19	1.42	<b>W68PLCKI-4-2</b>
1/4	1/4	19	1.42	<b>W68PLCKI-4-4</b>
3/8	1/4	23	1.65	<b>W68PLCKI-6-4</b>
3/8	3/8	23	1.65	<b>W68PLCKI-6-6</b>

Flow Controls & Check Valves

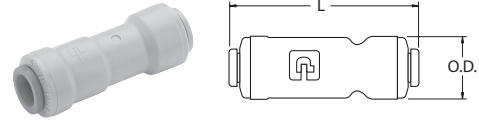
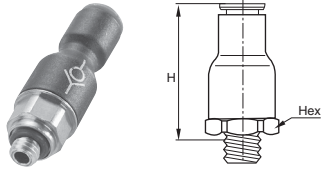
Misc Accessories

Integrated Fittings

Accessories







**68PLCK Male Check Valve Meter Out - BSPP**

Tube size (mm)	BSPP	Hex 1 mm	H	Part number
4	M5X0.8	9	32.0	<b>68PLCK-4M-M5</b>
4	1/8	16	28.5	<b>68PLCK-4M-2G</b>
6	1/8	16	30.5	<b>68PLCK-6M-2G</b>
6	1/4	16	30.5	<b>68PLCK-6M-4G</b>
8	1/8	19	36.0	<b>68PLCK-8M-2G</b>
8	1/4	19	36.0	<b>68PLCK-8M-4G</b>

**VC - Check Valve**

Tube size (in)	BSPP	Hex 1 mm	Part number
1/4	2.00	.66	<b>A4VC4-MG</b>
5/16	2.10	.70	<b>A5VC5-MG</b>
3/8	2.15	.80	<b>A6VC6-MG</b>

**68PLCKI Male Check Valve Meter In - BSPP**

Tube size (mm)	BSPP	Hex 1 mm	H	Part number
4	M5X0.8	9	32.0	<b>68PLCKI-4M-M5</b>
6	1/8	16	30.5	<b>68PLCKI-6M-2G</b>
8	1/8	19	36.0	<b>68PLCKI-8M-2G</b>
8	1/4	19	36.0	<b>68PLCKI-8M-4G</b>
10	3/8	23	42.0	<b>68PLCKI-10M-6G</b>
12	3/8	23	42.0	<b>68PLCKI-12M-6G</b>
12	1/2	23	44.0	<b>68PLCKI-12M-8G</b>

Flow Controls  
 & Check Valves

Misc  
 Accessories

Integrated  
 Fittings

Accessories



## Blocking Flow Control Valves

Blocking valves prevents damage to work and equipment in the event of a loss of pressure. Blocking valves which are mounted in pairs on a cylinder lock the piston by simultaneously cutting off the supply and exhaust. Functional locks are more precise and rapid when blocking valves are located on the cylinder: the volume of air in the pipe work no longer needs to be taken into consideration.



### Material Specifications

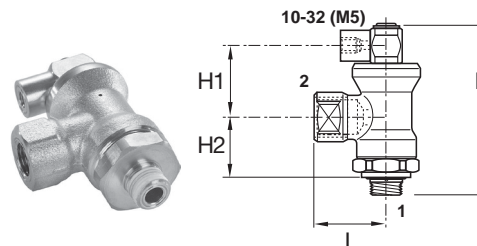
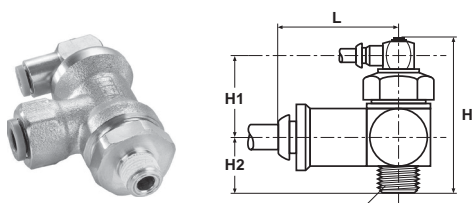
Body	Treated brass
Gripping Ring	Stainless Steel
Seals, Diaphragm	Nitrile

### Applicable Tube

Tube O.D.	1/8, 5/32, 1/4, 3/8
Tube O.D. (mm)	4, 6, 8, 10, 12, 14

### Operating information

Pressure range:	15 to 145 PSI
Temperature range:	-4°F to 160°F
Number of cycles:	> 10 million at 68°F and 1 Hz
Leak rate:	< 3.2 CCM
Working fluid:	Compressed air



### FC601 Push-to-Connect Lockout Valves

Tube size (In)	NPT	Hex mm	H	H1	H2	L	Part number
1/4	1/8	21	2.03	1.24	0.79	1.10	<b>FC601-4-2</b>
1/4	1/4	21	2.03	1.24	0.79	1.10	<b>FC601-4-4</b>
3/8	3/8	24	2.19	1.14	1.04	1.38	<b>FC601-6-6</b>
1/2	1/2	24	2.19	1.14	1.04	1.69	<b>FC601-8-8</b>

### FC601 Push-to-Connect Lockout Valve - BSPP

Tube size (mm)	BSPP	Hex 1 mm	H	H1	H2	L	Part number
6	1/8	21	53	24.5	21.0	28.0	<b>FC601-6M-2G</b>
6	1/4	21	53	24.5	21.0	28.0	<b>FC601-6M-4G</b>
8	1/4	21	53	24.5	21.0	28.0	<b>FC601-8M-4G</b>
8	3/8	24	56	25.0	23.0	34.5	<b>FC601-8M-6G</b>
10	3/8	24	56	25.0	23.0	35.0	<b>FC601-10M-6G</b>
12	1/2	24	56	25.0	23.0	37.5	<b>FC601-12M-8G</b>

### FC602 Threaded Port Lockout Valves

1 NPT	2 NPT	Hex mm	H	H1	H2	L	Part number
1/4	1/8	21	2.03	1.24	0.79	1.04	<b>FC602-2</b>
1/4	1/4	21	2.03	1.24	0.79	1.04	<b>FC602-4</b>
3/8	3/8	24	2.19	1.14	1.04	1.34	<b>FC602-6</b>
1/2	1/2	24	2.19	1.14	1.04	1.57	<b>FC602-8</b>

### FC608 Threaded Port Lockout Valve - BSPP

1 BSPP	2 BSPP	Hex 1 mm	H	H1	H2	L	Part number
1/8	1/4	21	53	24.5	21.0	28.0	<b>FC608-4G-2G</b>
1/4	1/4	21	53	24.5	21.0	28.0	<b>FC608-4G-4G</b>
3/8	3/8	24	56	25.0	23.0	34.0	<b>FC608-6G-6G</b>
1/2	1/2	24	56	25.0	23.0	41.0	<b>FC608-8G-8G</b>

Flow Controls & Check Valves

Misc Accessories

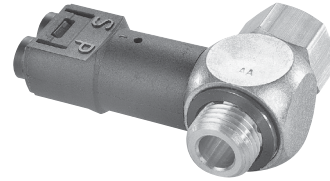
Integrated Fittings

Accessories



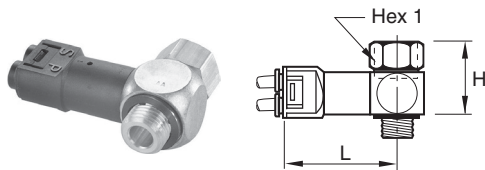
## Threshold Sensor

The sensor fitting detects the absence of pressure and translates it to a high pressure pneumatic output. When used to monitor the decaying or exhausting side of a pneumatic cylinder's piston, it emits a positive output. When the cylinder comes to the end of its stroke, wherever that may be, the signal emitted from the sensor can then be used to pilot the next step.



### Operating information

	PSBJ, PSPJ	PSPE
Working pressure:	45 to 115 PSI	45 to 115 PSI
Breaking pressure:	8.5 PSI	7 PSI
Working temperature:	5°F to 140°F	–
Response time:	3 Ms	–
Current rating:	–	5A / 250VAC 5W / 48VDC
Reset pressure:	10 PSI	10 PSI
UL listed component		

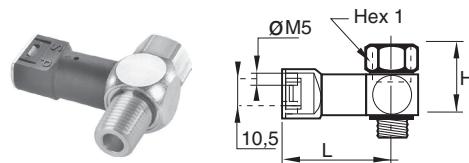


#### PSBJ731 Pneumatic Threshold Sensor - 5/32 Pilot

NPT / UNF	Hex 1 mm	H	L	Part number
10-32	5/16	0.62	1.70	<b>PSBJ731-0</b>
1/8	9/16	0.90	1.74	<b>PSBJ731-2</b>
1/4	5/8	1.09	1.81	<b>PSBJ731-4</b>
3/8	7/8	1.13	1.91	<b>PSBJ731-6</b>
1/2	1	1.17	2.05	<b>PSBJ731-8</b>

#### PSBJ731 Pneumatic Threshold Sensor - 4mm Pilot

BSPP	Hex 1 mm	H	L	Part number
M5X0.8	8	16	43.5	<b>PSBJ731-M5</b>
1/8	14	23	44.5	<b>PSBJ731-2G</b>
1/4	17	28	46.5	<b>PSBJ731-4G</b>
3/8	22	29	49.0	<b>PSBJ731-6G</b>
1/2	27	30	52.5	<b>PSBJ731-8G</b>

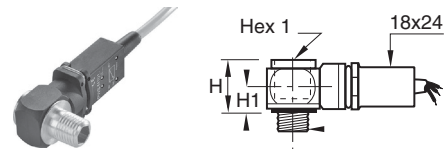


#### PSPJ731 Pneumatic Threshold Sensor - 10-32 Pilot

NPT	Hex 1 mm	H	L	Part number
1/8	9/16	0.90	1.58	<b>PSPJ731-2</b>
1/4	5/8	1.09	1.66	<b>PSPJ731-4</b>
3/8	7/8	1.13	1.76	<b>PSPJ731-6</b>

#### PSBJ708 Pneumatic Threshold Sensor - M5 Pilot

BSPP	Hex 1 mm	H	L	Part number
1/8	14	23	40.5	<b>PSBJ708-2G</b>
1/4	17	28	42.5	<b>PSBJ708-4G</b>



#### PSPE701 Pneumatic / Electric Threshold Sensor - BSPP

NPT	Hex 1 mm	H	H1	L	Part number
M5X0.8	8	20	10	49	<b>PSPE701-M5</b>
1/8	6	20	10	52	<b>PSPE701-2G</b>
1/4	8	20	10	54	<b>PSPE701-4G</b>
3/8	10	22	12	57	<b>PSPE701-6G</b>
1/2	12	26	14	58	<b>PSPE701-8G</b>

**Fax Forms, Part Number Index,  
Safety Guide, Offer of Sale**

<b>Part Number Index</b>	G2-G26
<b>Safety Guide</b>	G27-G28
<b>Offer of Sale</b>	G29



For inventory, lead time, and kit lookup, visit [www.pdnplu.com](http://www.pdnplu.com)

Model No.	Section / Page No.	Model No.	Section / Page No.	Model No.	Section / Page No.	Model No.	Section / Page No.
003371000.....	F2, F3	032513838.....	F6	0R75VB.....	F14	169PMTNS-4-2.....	C30, E20
003371001.....	F2, F3	033400105.....	F14	0RB12B.....	F14	169PMTNS-4-4.....	C30, E20
003371002.....	F2, F3	033400319.....	F14	0RB12NB.....	F14	169PMTNS-4-6.....	C30, E20
003371003.....	F2, F3	033400504.....	F14	0RB12NVB.....	F14	169PMTNS-6-2.....	C30, E20
003371004.....	F2, F3	033408000.....	F14	0RB12VB.....	F14	169PMTNS-6-4.....	C30, E20
003378000.....	F2, F3	034750109.....	F14	0RB25B.....	F14	169PMTNS-6-6.....	C30, E20
003378001.....	F2, F3	034750120.....	F14	0RB25NB.....	F14	169PMTNS-6-8.....	C30, E20
003378002.....	F2, F3	034759000.....	F14	0RB25NFB.....	F14	169PMTNS-8-4.....	C30, E20
003378003.....	F2, F3	036408000.....	F14	0RB25VB.....	F14	169PMTNS-8-6.....	C30, E20
003378004.....	F2, F3	036508000.....	F14	0RB37B.....	F14	169PMTNS-8-8.....	C30, E20
003393000.....	F7	045020002.....	F8	0RB37FB.....	F14	171PMT-4-2.....	C30, E20
003393001.....	F7	045040004.....	F8	0RB37TB.....	F14	171PMT-4-4.....	C30, E20
003393002.....	F7	045060060.....	F8	0RB37VB.....	F14	171PMT-4-6.....	C30, E20
003393003.....	F7	045080080.....	F8	0RB50B.....	F14	171PMT-6-4.....	C30, E20
003393004.....	F7	045120012.....	F8	0RB50VB.....	F14	171PMT-6-6.....	C30, E20
00339G3000.....	F7	045160016.....	F8	0RB75B.....	F14	171PMT-8-4.....	C30, E20
00339G3001.....	F7	047020002.....	F9	0RB75FB.....	F14	171PMT-8-6.....	C30, E20
004700010.....	F23	047040004.....	F9	0RB75VB.....	F14	171PMT-8-8.....	C30, E20
004700900.....	F23	047060006.....	F9	1155H30.....	E56	171PMTNS-4-4.....	C30, E20
004707020.....	F24	047080008.....	F9	169PMNS-2-2.....	C29, E19	171PMTNS-4-6-4.....	C30, E20
004750010.....	F23	047120012.....	F9	169PMNS-3-2.....	C29, E19	171PMTNS-6-4.....	C30, E20
004750900.....	F23	047160016.....	F9	169PMNS-3-4.....	C29, E19	171PMTNS-6-4-4.....	C30, E20
006450060.....	F22	047200020.....	F9	169PMNS-5/32-2.....	C29, E19	171PMTNS-6-4-6.....	C30, E20
008230109.....	E65	047240024.....	F9	169PMT-10-6.....	C29, E19	171PMTNS-6-6.....	C30, E20
008230299.....	E65, E66, E67	067390000.....	F22, F24	169PMT-10-8.....	C29, E19	171PMTNS-6-8.....	C30, E20
008240109.....	E65, E66, E67	091660060.....	F22	169PMT-4-2.....	C29, E19	171PMTNS-8-4.....	C30, E20
032130599.....	E65, E66, E67, E68	0R12B.....	F14	169PMT-4-4.....	C29, E19	172PMT-4-2.....	C30, E20
032130899.....	E65, E66, E67	0R12NB.....	F14	169PMT-4-6.....	C29, E19	172PMT-4-4.....	C30, E20
032140299.....	E65	0R12NVB.....	F14	169PMT-6-2.....	C29, E19	172PMT-6-2.....	C30, E20
032500119.....	F4	0R12VB.....	F14	169PMT-6-4.....	C29, E19	172PMT-6-4.....	C30, E20
032500219.....	F4	0R25B.....	F14	169PMT-6-6.....	C29, E19	172PMT-6-6.....	C30, E20
032500319.....	F4	0R25NB.....	F14	169PMT-6-8.....	C29, E19	172PMT-8-4.....	C30, E20
032500419.....	F4	0R25NFB.....	F14	169PMT-8-4.....	C29, E19	172PMT-8-6.....	C30, E20
032500519.....	F4	0R25PB.....	F14	169PMT-8-6.....	C29, E19	172PMT-8-8.....	C30, E20
032510125.....	F6	0R25VB.....	F14	169PMT-8-8.....	C29, E19	172PMTNS-4-2.....	C30, E20
032510250.....	F6	0R37B.....	F14	169PMTL-10-8.....	C29, E19	172PMTNS-6-4.....	C30, E20
032510375.....	F6	0R37FB.....	F14	169PMTL-6-4.....	C29, E19	172PMTNS-6-4-4.....	C30, E20
032510500.....	F6	0R37TB.....	F14	169PMTL-6-6.....	C29, E19	172PMTNS-6-6.....	C30, E20
032511215.....	F6	0R37VB.....	F14	169PMTL-6-8.....	C29, E19	172PMTNS-6-8.....	C30, E20
032511225.....	F6	0R50B.....	F14	169PMTL-8-8.....	C29, E19	172PMTNS-8-6.....	C30, E20
032512525.....	F6	0R50VB.....	F14	169PMTNS-10-6.....	C30, E20	172PMTNS-8-6-8.....	C30, E20
032512538.....	F6	0R75B.....	F14	169PMTNS-10-8.....	C30, E20	172PMTNS-8-8.....	C30, E20
		0R75FB.....	F14	169PMTNS-12-8.....	C30, E20	207P-2.....	C54

Part Number Index

Safety Guide

Offer of Sale

Part Number Index, Safety Guide, Offer of Sale



For inventory, lead times, and kit lookup, visit [www.pdnplu.com](http://www.pdnplu.com)

Model No.	Section / Page No.	Model No.	Section / Page No.	Model No.	Section / Page No.	Model No.	Section / Page No.
2201P-2-2.....	C54	414211000.....	E4	520711000.....	E5	68PLCKI-12M-8G .....	F36
2220P-2-2.....	C54	414221000.....	E4	520718001.....	E7	68PLCKI-4M-M5 .....	F36
3250G1000.....	F5	414251000.....	E4	520751000.....	E5	68PLCKI-5/32-0.....	F35
3250G1250.....	F5	414311000.....	E5	520811000.....	E4	68PLCKI-6M-2G .....	F36
3250G1500.....	F5	414321000.....	E5	520831000.....	E4	68PLCKI-8M-2G .....	F36
32PLCK-10M.....	F35	414351000.....	E5	520838004.....	E7	68PLCKI-8M-4G .....	F36
32PLCK-12M.....	F35	414411000.....	E3	520931000.....	E5	68PM-2-1.....	C29, E19
32PLCK-4.....	F35	414421000.....	E3	520A11000.....	E4	68PM-2-2.....	C29, E19
32PLCK-4M.....	F35	414451000.....	E3	520A51000.....	E4	68PM-3-1.....	C29, E19
32PLCK-5.....	F35	414711000.....	E5	521811000.....	E4	68PM-3-2.....	C29, E19
32PLCK-5/32.....	F35	414721000.....	E5	521831000.....	E4	68PM-3-4.....	C29, E19
32PLCK-6.....	F35	414751000.....	E5	522811000.....	E4	68PM-5/32-1 .....	C29, E19
32PLCK-6M.....	F35	414811000.....	E3	522831000.....	E4	68PM-5/32-2 .....	C29, E19
32PLCK-8M.....	F35	414821000.....	E3	523831000.....	E4	68PM-5/32-4 .....	C29, E19
404111000.....	E5	414931000.....	E3	524211000.....	E4	68PMT-10-6.....	C29, E19
404118000.....	E7	414941000.....	E3	524251000.....	E4	68PMT-10-8.....	C29, E19
404211000.....	E4	414951000.....	E3	524411000.....	E3	68PMT-12-8.....	C29, E19
404311000.....	E5	422CR011K.....	E21	524431000.....	E3	68PMT-4-2.....	C29, E19
404411000.....	E3	422CR011W.....	E21	524451000.....	E3	68PMT-4-4.....	C29, E19
404711000.....	E5	422CR013W.....	E21	524711000.....	E5	68PMT-4-6.....	C29, E19
404811000.....	E3	422CR014W.....	E21	524751000.....	E5	68PMT-6-2.....	C29, E19
410008000.....	E7	422CR021K.....	E21	524811000.....	E4	68PMT-6-4.....	C29, E19
410008005.....	E7	422CR021W.....	E21	524831000.....	E4	68PMT-6-6.....	C29, E19
410111000.....	E5	422CR023W.....	E21	524931000.....	E5	68PMT-6-8.....	C29, E19
410121000.....	E5	422CR024W.....	E21	524A11000.....	E4	68PMT-8-4.....	C29, E19
410151000.....	E5	422CS011K.....	E21	524A51000.....	E4	68PMT-8-6.....	C29, E19
410211000.....	E4	422CS011W.....	E21	529811000.....	E4	68PMT-8-8.....	C29, E19
410221000.....	E4	422CS013W.....	E21	529831000.....	E4	91213202SXZ.....	C6
410251000.....	E4	422CS014W.....	E21	5500A2004.....	E56, F10	91213202SXZN.....	C6
410411000.....	E3	422CS021K.....	E21	5500A4004.....	E56, F10	91213204SXZ.....	C6
410421000.....	E3	422CS021W.....	E21	5500A6004.....	F10	91213204SXZN.....	C6
410451000.....	E3	422CS023W.....	E21	5500A9004.....	E56, F10	91213206SXZ.....	C6
410711000.....	E5	422CS024W.....	E21	5500B6004.....	E56	91213206SXZN.....	C6
410721000.....	E5	422CT011K.....	E21	62PM.....	D26, D27	91213208SXZ.....	C6
410751000.....	E5	422CT021K.....	E21	68PLCK-4M-2G.....	F36	91213208SXZN.....	C6
410811000.....	E3	520008050.....	E7	68PLCK-4M-M5.....	F36	91213210SXZ.....	C6
410821000.....	E3	520008500.....	E7	68PLCK-5/32-0.....	F35	91213210SXZN.....	C6
410931000.....	E3	520018005.....	E7	68PLCK-6M-2G.....	F36	912132BPSXZ.....	C6
410941000.....	E3	520211000.....	E4	68PLCK-6M-4G.....	F36	9121594805X.....	C6
410951000.....	E3	520251000.....	E4	68PLCK-8M-2G.....	F36	9121594805XN.....	C6
414111000.....	E5	520411000.....	E3	68PLCK-8M-4G.....	F36	9121594806X.....	C6
414121000.....	E5	520431000.....	E3	68PLCKI-10M-6G.....	F36	9121594806XN.....	C6
414151000.....	E5	520451000.....	E3	68PLCKI-12M-6G.....	F36	9121594807X.....	C6

Part Number Index

Safety Guide

Offer of Sale

Part Number Index, Safety Guide, Offer of Sale



For inventory, lead time, and kit lookup, visit [www.pdnplu.com](http://www.pdnplu.com)



Model No.	Section / Page No.	Model No.	Section / Page No.	Model No.	Section / Page No.	Model No.	Section / Page No.
9121594807XN.....	C6	A05PS.....	C89	A5VC5-MG.....	F36	ASN-15.....	C28, E17, F11
9121594808X.....	C6	A05PS251P.....	C84	A6VC6-MG.....	F36	ASO500-1W-10.....	C82
9121594808XN.....	C6	A05PSCC.....	C88	AAHMD5249MOM.....	D9	ASO500-1W-90.....	C82
9121594809X.....	C6, C21	A05PSCCM.....	C88	AAHMT5129MOM.....	D10	ASV13000-AA-94.....	C80
9121594812X.....	C6	A05PXG.....	C89	AAHMW5209MOM.....	D11	ASV15000-AA-92.....	C81
9121594812XN.....	C6	A05RABM5.....	C89	AAHMX5209MOM.....	D11	ASV2000-AA-17.....	C78
9121658063.....	C6	A05RAIEM5.....	C88	AAPL2AXGAXG##NP.....	C21	ASV2000-AA-97.....	C78
9121658068.....	C6	A05RAISM5.....	C88	AAPL2AXGAXN##NP.....	C21	ASV200-AA-M5.....	C77
9121658068N.....	C6	A05RAXIEM5.....	C88	AAPL2AXMAXG##NP.....	C21	ASV5000-AA-21.....	C79
9121658075.....	C6	A05RAXISM5.....	C88	AAPL2AXMAXN##NP.....	C21	ASV5000-AA-91.....	C79
9121658075N.....	C6	A05RBF.....	C89	AAPL2BXGAXG##NP.....	C21	B310BB549C.....	C42
9121658076.....	C6	A05RBS.....	C89	AAPL2BXGAXN##NP.....	C21	B310BB553C.....	C42
9121658076N.....	C6	A05RD251PM5MF.....	C84	AAPL2BXMAXG##NP.....	C21	B31VBB549C.....	C42
9121658077.....	C6	A05RG.....	C89	AAPL2BXMAXN##NP.....	C21	B31VBB553C.....	C42
9121658077N.....	C6	A05RGBP.....	C88	AAPL2CXMAXG##NP.....	C21	B320BB549C.....	C42
9121658078.....	C6	A05RS.....	C89	AAPL2CXMAXN##NP.....	C21	B320BB553C.....	C42
9121658078N.....	C6	A05RS251PM5MF.....	C84	AAPSG3BXG##NP.....	C49	B32VBB549C.....	C42
988A30.....	E56	A12PAIEN1.....	C88	AAPSG3BXN##NP.....	C49	B32VBB553C.....	C42
A00S-B-M3.....	C87	A12PAISN1.....	C88	AAPSG5BXG##NP.....	C49	B330000XXC.....	C44
A00SBP.....	C88	A12PAXIEN1.....	C88	AAPSG5BXN##NP.....	C49	B33V000XXC.....	C44
A00SC23-1P.....	C87	A12PAXISN1.....	C88	AAPSG6BXG##NP.....	C49	B340000XXC.....	C44
A00SG.....	C89	A12PBG2.....	C85	AAPSG6BXN##NP.....	C49	B34V000XXC.....	C44
A00SS.....	C89	A12PBN2.....	C85	AAPSG6BXN##NP.....	C49	B350BB549C.....	C43
A05P-AC-CL10.....	C88	A12PD252P.....	C84	AAPSJ3B1G##GP.....	C50	B350BB553C.....	C43
A05P-AC-CL5.....	C88	A12PG.....	C89	AAPSM3BXG##NP.....	C49	B35VBB549C.....	C43
A05PAIEM5.....	C88	A12PGBP.....	C88	AAPSM3BXN##NP.....	C49	B35VBB553C.....	C43
A05PAISM5.....	C88	A12PS.....	C89	AAPSM5BXG##NP.....	C49	B360BB549C.....	C43
A05PAXIEM5.....	C88	A12PS252P.....	C84	AAPSM5BXN##NP.....	C49	B360BB553C.....	C43
A05PAXISM5.....	C88	A12PXG.....	C89	AAPSM6BXG##NP.....	C49	B36VBB549C.....	C43
A05PBG1.....	C85	A12RABG1.....	C89	AAPSM6BXN##NP.....	C49	B36VBB553C.....	C43
A05PBN1.....	C85	A12RABN1.....	C89	AAPSM7BXG##NP.....	C49	B370BB549C.....	C43
A05PD251P.....	C84	A12RAIEN1.....	C88	AAPSM7BXN##NP.....	C49	B370BB553C.....	C43
A05PDCC.....	C88	A12RAISN1.....	C88	AS-5.....	C28, E17, F11	B37VBB549C.....	C43
A05P-DC-CB10.....	C88	A12RAXIEN1.....	C88	AS-6.....	C28, E17, F11	B37VBB553C.....	C43
A05P-DC-CL10.....	C88	A12RAXISN1.....	C88	AS-8.....	C28, E17, F11	B380000XXC.....	C44
A05P-DC-CL30.....	C88	A12RBF.....	C89	AS-10.....	C28, E17, F11	B38V000XXC.....	C44
A05P-DC-CL5.....	C88	A12-RBS.....	C89	AS-15.....	C28, E17, F11	B3G0BB549C.....	C42
A05PDCCM.....	C88	A12RD252PN1MF.....	C84	ASC500-1W-10.....	C82	B3G0BB553C.....	C42
A05PG.....	C89	A12RG.....	C89	ASC500-1W-90.....	C82	B3K0000XXC.....	C44
A05PG-BP.....	C88	A12RGBP.....	C88	ASC-D24-CL10.....	C82	B511BB549C.....	C42
A05PLA.....	C88	A12RS.....	C89	ASN-6.....	C28, E17, F11	B511BB553C.....	C42
A05PLB.....	C88	A12RS252PN1MF.....	C84	ASN-8.....	C28, E17, F11	B512BB549C.....	C42
A05PN.....	C89	A4VC4-MG.....	F36	ASN-10.....	C28, E17, F11	B512BB553C.....	C42

Part Number Index

Safety Guide

Offer of Sale

Part Number Index, Safety Guide, Offer of Sale



For inventory, lead times, and kit lookup, visit [www.pdnplu.com](http://www.pdnplu.com)

Model No.	Section / Page No.	Model No.	Section / Page No.	Model No.	Section / Page No.	Model No.	Section / Page No.
B521BB549C.....	C42	B6X2000XXA.....	C44	BL67-1RS485/422.....	D170, D171, D174, D180	BL67-8DO-0.5A-P.....	D170, D171, D172, D176
B521BB553C.....	C42	B713BB549A.....	C42	BL67-1RSM-VO.....	D170	BL67-8DO-R-NO.....	D170, D171, D173, D177
B522BB549C.....	C42	B713BB553A.....	C42	BL67-1SSI.....	D170, D171, D174, D181	BL67-8XSG-PD.....	D170, D171, D173
B522BB553C.....	C42	B723BB549A.....	C42	BL67-2AI2AO-V/I.....	D174, D179	BL-67-8XSG-PD.....	D177
B531000XXC.....	C44	B723BB553A.....	C42	BL67-2AI-I.....	D170, D171, D173, D178	BL67-B-1M12.....	D170, D174
B532000XXC.....	C44	B733000XXA.....	C44	BL67-2AI-PT.....	D170, D171, D173, D178	BL67-B-1M12-8..	D170, D174
B541000XXC.....	C44	B743000XXA.....	C44	BL67-2AI-TC.....	D170, D171, D173, D178	BL67-B-1M23.....	D170, D172, D174
B542000XXC.....	C44	B753BB549A.....	C43	BL67-2AI-V.....	D170, D171, D173, D178	BL67-B-1M23-19	D170, D173
B551BB549C.....	C43	B753BB553A.....	C43	BL67-2AO-I.....	D170, D171, D173, D179	BL67-B-1RSM.....	D170, D174, D183
B551BB553C.....	C43	B763BB549A.....	C43	BL67-2AO-V.....	D170, D171, D173, D179	BL67-B-1RSM-4.....	D170, D174, D183
B552BB549C.....	C43	B763BB553A.....	C43	BL67-2RFID-A.....	D170	BL67-B-1RSM-VO.....	D174
B552BB553C.....	C43	B773BB549A.....	C43	BL67-2RFID-C.....	D170	BL67-B-2M12.....	D170, D172, D173
B561BB549C.....	C43	B773BB553A.....	C43	BL67-4AI4AO-V/I.....	D174, D179	BL67-B-4M12.....	D170, D172, D173, D174
B561BB553C.....	C43	B783000XXA.....	C44	BL67-4AI-I/V.....	D171	BL67-B-4M12P.....	D173
B562BB549C.....	C43	B7V3BB549A.....	C42	BL67-4AI-V/I.....	D170, D173, D178	BL67-B-4M12-P.....	D170, D172, D173
B562BB553C.....	C43	B7V3BB553A.....	C42	BL67-4AO-V.....	D173	BL67-B-4M8.....	D170, D172
B571BB549C.....	C43	B7X3000XXA.....	C44	BL67-4DI4DO-PD.....	D170, D171, D173, D177	BL67-B-8M8.....	D170, D172, D173, D174
B571BB553C.....	C43	B814BB549A.....	C42	BL67-4DI-N.....	D170, D171, D172, D175	BL67-GW-CO.....	D168
B572BB549C.....	C43	B814BB553A.....	C42	BL67-4DI-P.....	D170, D171, D172, D175	BL67-GW-DN.....	D168
B572BB553C.....	C43	B824BB549A.....	C42	BL67-4DI-PD.....	D170, D171, D172, D175	BL67-GW-DPV1.....	D168
B581000XXC.....	C44	B824BB553A.....	C42	BL67-4DO-0.5A-P.....	D170, D171, D172, D176	BL67-GW-EN.....	D168
B582000XXC.....	C44	B834000XXA.....	C44	BL67-4DO-2A-N.....	D170, D171, D172, D176	BL67-GW-EN-DN.....	D169
B5G1BB549C.....	C42	B844000XXA.....	C44	BL67-4DO-2A-P.....	D170, D171, D172, D176	BL67-GW-EN-IP-DN.....	D169
B5G1BB553C.....	C42	B854BB549A.....	C43	BL67-8DI-N.....	D170, D172, D175	BL67-PF-24VDC.....	D170, D171, D174, D180, D183
B5G2BB549C.....	C42	B854BB553A.....	C43	BL67-8DI-P.....	D170, D171, D172, D175	BL67-PG-DP.....	D169
B5G2BB553C.....	C42	B864BB549A.....	C43	BL67-8DI-PD.....	D170, D171, D172, D175	BL67-PG-EN.....	D169
B5K1000XXC.....	C44	B864BB553A.....	C43	BL67-8DI-PD.....	D170, D171, D172, D175	BL67-PG-EN-DN.....	D169
B5K2000XXC.....	C44	B874BB549A.....	C43	BL67-8DI-PD.....	D170, D171, D172, D175	BL67-PG-EN-IP.....	D169
B612BB549A.....	C42	B874BB553A.....	C43	BL67-8DI-PD.....	D170, D171, D172, D175	BL67-PG-EN-IP-DN.....	D169
B612BB553A.....	C42	B884000XXA.....	C44	BL67-8DI-PD.....	D170, D171, D172, D175	CMD04-1.....	D34, D38, D42, D56
B622BB549A.....	C42	B8V4BB549A.....	C42	BL67-8DI-PD.....	D170, D171, D172, D175	CMD06-1.....	D34, D38, D42, D56
B622BB553A.....	C42	B8V4BB553A.....	C42	BL67-1CNT/ENC.....	D170, D171, D174, D181		
B632000XXA.....	C44	B8X4000XXA.....	C44	BL67-1CVI.....	D170, D171, D174, D181		
B642000XXA.....	C44	BC03M3.....	C89	BL67-1RS232.....	D170, D171, D174, D180		
B652BB549A.....	C43	BC03M5.....	C89				
B652BB553A.....	C43	BC04M3.....	C89				
B662BB549A.....	C43	BL67-16DO-0.1A-P.....	D170, D171, D173, D176				
B662BB553A.....	C43	BL67-1CNT/ENC.....	D170, D171, D174, D181				
B672BB549A.....	C43	BL67-1CVI.....	D170, D171, D174, D181				
B672BB553A.....	C43	BL67-1RS232.....	D170, D171, D174, D180				
B682000XXA.....	C44						
B6V2BB549A.....	C42						
B6V2BB553A.....	C42						

Part Number Index

Safety Guide

Offer of Sale

Part Number Index, Safety Guide, Offer of Sale



For inventory, lead time, and kit lookup, visit [www.pdnplu.com](http://www.pdnplu.com)

Model No.	Section / Page No.	Model No.	Section / Page No.	Model No.	Section / Page No.	Model No.	Section / Page No.
CMD06-2 .....	D34, D38, D42, D56	DX02-451-60 .....	D204, D216	DX2-616-BL53 .....	D216	EM25 .....	C28, C89, E17, F8
CMD07-1B .....	D34, D38, D42, D56	DX02-606-951J .....	D204	DX2-616-CL49 .....	D216	EM37 .....	C28, E17, F8
CMD07-2B .....	D34, D38, D42, D56	DX02-606-951M .....	D204	DX2-616-CL53 .....	D216	EM50 .....	C28, E17, F8
CMD08-2 .....	D34, D38, D42, D56	DX02-611-951J .....	D204	DX2-621-BL49 .....	D216	EM75 .....	F8
CMD09-2B .....	D34, D38, D42, D56	DX02-611-951M .....	D204	DX2-621-BL53 .....	D216	EM100 .....	F8
CMD10-2 .....	D34, D38, D42, D56	DX02-616-951J .....	D204	DX2-621-CL49 .....	D216	EM125 .....	F8
CMD12-2 .....	D34, D38, D42, D56	DX02-616-951M .....	D204	DX2-621-CL53 .....	D216	EM150 .....	F8
CSCM CKCM 12-11-x/S90 .....	D185	DX02-621-951J .....	D204	DX2-651-BL49 .....	D216	EMM5 .....	F8
CSM CKM 19-19-x/S90 .....	D185	DX02-621-951M .....	D204	DX2-651-BL53 .....	D216	ES25MC .....	E56, F9
CSWM CKWM 19-19-x/CS12852 .....	D185	DX02-651-951J .....	D204	DX2-651-CL49 .....	D216	ES37MC .....	E56, F9
D01BD0 .....	D214	DX02-651-951M .....	D204	DX2-651-CL53 .....	D216	ES50MC .....	E56, F9
D01P-02-80 .....	D77, D102, D214	DX02M2MB .....	D129, D205, D214	DX3-406-60 .....	D217	ES75MC .....	E56, F9
D02BD0 .....	D214	DX02M2MGSKT .....	D214	DX3-411-60 .....	D217	ES100MC .....	E56, F9
D02P-01-80 .....	D75, D101, D214	DX1-606-BL49 .....	D215	DX3-416-60 .....	D217	ES125MC .....	E56, F9
DSS25FB1 .....	C88	DX1-606-BL53 .....	D215	DX3-421-60 .....	D217	ES12MC .....	F9
DX01-406-60 .....	D205, D215	DX1-606-CL49 .....	D215	DX3-451-60 .....	D217	ES150MC .....	E56, F9
DX01-411-60 .....	D205, D215	DX1-606-CL53 .....	D215	DX3-606-BL49 .....	D217	ES200MC .....	E56
DX01-416-60 .....	D205, D215	DX1-606-CL53 .....	D215	DX3-606-BL53 .....	D217	ESB12MC .....	F9
DX01-421-60 .....	D205, D215	DX1-611-BL49 .....	D215	DX3-606-CL49 .....	D217	ESB25MC .....	F9
DX01-451-60 .....	D205, D215	DX1-611-BL53 .....	D215	DX3-606-CL53 .....	D217	ESB37MC .....	F9
DX01-606-951J .....	D205	DX1-611-CL49 .....	D215	DX3-611-BL49 .....	D217	ESB50MC .....	F9
DX01-606-951M .....	D205	DX1-611-CL53 .....	D215	DX3-611-BL53 .....	D217	ESB75MC .....	F9
DX01-611-951J .....	D205	DX1-616-BL49 .....	D215	DX3-611-BL53 .....	D217	ESB100MC .....	F9
DX01-611-951M .....	D205	DX1-616-BL53 .....	D215	DX3-611-CL49 .....	D217	ESB125MC .....	F9
DX01-616-951J .....	D205	DX1-616-CL49 .....	D215	DX3-611-CL53 .....	D217	ESB150MC .....	F9
DX01-616-951M .....	D205	DX1-616-CL53 .....	D215	DX3-616-BL49 .....	D217	EZ03NB6 .....	E54
DX01-621-951J .....	D205	DX1-621-BL49 .....	D215	DX3-616-BL53 .....	D217	EZ04NB6 .....	E54
DX01-621-951M .....	D205	DX1-621-BL53 .....	D215	DX3-616-CL49 .....	D217	EZ06NB6 .....	E54
DX01-651-951J .....	D205	DX1-621-CL49 .....	D215	DX3-616-CL53 .....	D217	EZ06NBA .....	E54
DX01-651-951M .....	D205	DX1-621-CL53 .....	D215	DX3-621-BL49 .....	D217	EZ08NBA .....	E54
DX01M2MGSKT .....	D205, D214	DX1-651-BL49 .....	D215	DX3-621-BL53 .....	D217	EZOANBA .....	E54
DX02-406-60 .....	D204, D216	DX1-651-BL53 .....	D215	DX3-621-CL49 .....	D217	FC601-10M-6G .....	F37
DX02-411-60 .....	D204, D216	DX1-651-CL49 .....	D215	DX3-621-CL53 .....	D217	FC601-12M-8G .....	F37
DX02-416-60 .....	D204, D216	DX1-651-CL53 .....	D215	DX3-651-BL49 .....	D217	FC601-4-2 .....	F37
DX02-421-60 .....	D204, D216	DX2-606-BL49 .....	D216	DX3-651-BL53 .....	D217	FC601-4-4 .....	F37
		DX2-606-CL49 .....	D216	DX3-651-CL49 .....	D217	FC601-6-6 .....	F37
		DX2-606-CL53 .....	D216	DX3-651-CL53 .....	D217	FC601-6M-2G .....	F37
		DX2-611-BL49 .....	D216	E9001* .....	C28	FC601-6M-4G .....	F37
		DX2-611-BL53 .....	D216	E90016 .....	E17	FC601-8-8 .....	F37
		DX2-611-CL49 .....	D216	E90017 .....	C28	FC601-8M-4G .....	F37
		DX2-611-CL53 .....	D216	E90017 .....	E17	FC601-8M-6G .....	F37
		DX2-616-BL49 .....	D216	ECS3 .....	F13	FC602-2 .....	F37
				ECS5 .....	F13	FC602-4 .....	F37
				EM12 .....	C28, C89, E17, F8		

Part Number Index

Safety Guide

Offer of Sale

Part Number Index, Safety Guide, Offer of Sale



For inventory, lead times, and kit lookup, visit [www.pdnplu.com](http://www.pdnplu.com)

Model No.	Section / Page No.	Model No.	Section / Page No.	Model No.	Section / Page No.	Model No.	Section / Page No.
FC602-6.....	F37	FC836-2G.....	F33	FCCS731-6-4.....	F30	FCM731-2-0.....	F29
FC602-8.....	F37	FC836-4.....	F33	FCCS731-6-6.....	F30	FCM731-2-2.....	F29
FC608-4G-2G.....	F37	FC836-4G.....	F33	FCCS731-6M-2G.....	F30	FCM731-3M-M3.....	F29
FC608-4G-4G.....	F37	FC836-6.....	F33	FCCS731-6M-4G.....	F30	FCM731-3M-M5.....	F29
FC608-6G-6G.....	F37	FC836-6G.....	F33	FCCS731-8M-2G.....	F30	FCM731-4-0.....	F29
FC608-8G-8G.....	F37	FC836-8.....	F33	FCCS731-8M-4G.....	F30	FCM731-4-2.....	F29
FC701-10M-4G.....	F34	FC836-8G.....	F33	FCCS731-8M-6G.....	F30	FCM731-4-4.....	F29
FC701-10M-6G.....	F34	FCB832-4.....	F32	FCCSP731-6M.....	F31	FCM731-4M-2G.....	F29
FC701-12M-6G.....	F34	FCB832-4M.....	F32	FCCSP731-8M.....	F31	FCM731-4M-M3.....	F29
FC701-12M-8G.....	F34	FCB832-5.....	F32	FCCSP731-10M.....	F31	FCM731-4M-M5.....	F29
FC701-14M-8G.....	F34	FCB832-5/32.....	F32	FCCSP731-12M.....	F31	FCM731-5/32-0.....	F29
FC701-4M-2G.....	F34	FCB832-6M.....	F32	FCKC731-10M-4G.....	F28	FCM731-5/32-2.....	F29
FC701-6M-2G.....	F34	FCB832-8M.....	F32	FCKC731-10M-6G.....	F28	FCM731-6M-2G.....	F29
FC701-6M-4G.....	F34	FCC731-10M-4G.....	F27	FCKC731-10M-8G.....	F28	FCM731-6M-4G.....	F29
FC701-8M-2G.....	F34	FCC731-10M-6G.....	F27	FCKC731-12M-6G.....	F28	FCM731-6M-M5.....	F29
FC701-8M-4G.....	F34	FCC731-12M-6G.....	F27	FCKC731-12M-8G.....	F28	FCM731-8M-2G.....	F29
FC701-8M-6G.....	F34	FCC731-12M-8G.....	F27	FCKC731-2-0.....	F28	FCM731-8M-4G.....	F29
FC702-2G.....	F34	FCC731-4-2.....	F27	FCKC731-2-2.....	F28	FCM731-8M-6G.....	F29
FC702-4G.....	F34	FCC731-4-4.....	F27	FCKC731-4-0.....	F28	FCMB731-4M-2G.....	F29
FC702-6G.....	F34	FCC731-4M-2G.....	F27	FCKC731-4-2.....	F28	FCMB731-4M-M5.....	F29
FC702-8G.....	F34	FCC731-5/32-2.....	F27	FCKC731-4-4.....	F28	FCMB731-6M-2G.....	F29
FC705-4-2.....	F34	FCC731-5/32-4.....	F27	FCKC731-4M-2G.....	F28	FCMB731-6M-4G.....	F29
FC705-4-4.....	F34	FCC731-6-4.....	F27	FCKC731-4M-M5.....	F28	FCMB731-6M-M5.....	F29
FC705-5/32-2.....	F34	FCC731-6-6.....	F27	FCKC731-5/32-0.....	F28	FCMK731-2-0.....	F29
FC705-6-4.....	F34	FCC731-6M-2G.....	F27	FCKC731-5/32-2.....	F28	FCMK731-2-2.....	F29
FC705-6-6.....	F34	FCC731-6M-4G.....	F27	FCKC731-5-2.....	F28	FCMK731-4-0.....	F29
FC708-2.....	F34	FCC731-8M-2G.....	F27	FCKC731-5-4.....	F28	FCMK731-4-2.....	F29
FC708-4.....	F34	FCC731-8M-4G.....	F27	FCKC731-6-4.....	F28	FCMK731-4-4.....	F29
FC708-6.....	F34	FCC731-8M-6G.....	F27	FCKC731-6-6.....	F28	FCMK731-5/32-0.....	F29
FC708-8.....	F34	FCCB731-4-2.....	F27	FCKC731-6M-2G.....	F28	FCMK731-5/32-2.....	F29
FC800-5/32.....	D9	FCCB731-4M-2G.....	F27	FCKC731-6M-4G.....	F28	FCMS731-4M-2G.....	F30
FC832-4.....	D9	FCCB731-5/32-2.....	F27	FCKC731-6M-M5.....	F28	FCMS731-4M-M5.....	F30
FC832-4.....	F32	FCCB731-6M-2G.....	F27	FCKC731-8M-2G.....	F28	FCMS731-5/32-0.....	F30
FC832-4M.....	F32	FCCB731-6M-4G.....	F27	FCKC731-8M-4G.....	F28	FCMS731-5/32-2.....	F30
FC832-5.....	F32	FCCB731-8M-2G.....	F27	FCKC731-8M-6G.....	F28	FCMS731-6M-2G.....	F30
FC832-5/32.....	F32	FCCB731-8M-4G.....	F27	FCKCB731-4M-2G.....	F28	FCMS731-6M-M5.....	F30
FC832-6.....	F32	FCCB731-8M-6G.....	F27	FCKCB731-4M-M5.....	F28	FCMSP701-4M.....	F31
FC832-6M.....	F32	FCCS731-10M-4G.....	F30	FCKCB731-6M-2G.....	F28	FCMSP701-6M.....	F31
FC832-8.....	F32	FCCS731-10M-6G.....	F30	FCKCB731-6M-4G.....	F28	FCMSP731-2.....	F31
FC832-8M.....	F32	FCcS731-12M-6G.....	F30	FCKCB731-6M-M5.....	F28	FCMSP731-4.....	F31
FC832-10M.....	F32	FCcS731-12M-8G.....	F30	FCKCB731-8M-2G.....	F28	FCMSP731-5/32.....	F31
FC832-12M.....	F32	FCCS731-4-2.....	F30	FCKCB731-8M-4G.....	F28	FCPM832-4M.....	F33
FC836-2.....	F33	FCCS731-4-4.....	F30	FCKCB731-8M-6G.....	F28	FCPM832-6M.....	F33

Part Number Index

Safety Guide

Offer of Sale

Part Number Index, Safety Guide, Offer of Sale



For inventory, lead time, and kit lookup, visit [www.pdnplu.com](http://www.pdnplu.com)

Model No.	Section / Page No.	Model No.	Section / Page No.	Model No.	Section / Page No.	Model No.	Section / Page No.
FCPM832-8M	F33	H100107	D259	H12VXBH0B9D	D85	H15VXBH023D	D85
FCPM832-10M	F33	H10032	D259	H12VXXG023D	D85	H15VXBH0B9D	D85
FCPM832-12M	F33	H10069	D259	H12VXXG0B9D	D85	H15VXXG023D	D85
FMD04-1	D34, D38, D42, D56	H10115	E33	H12VXXH023D	D85	H15VXXG0B9D	D85
FMD06-1	D34, D38, D42, D56	H10117	E32	H12VXXH0B9D	D85	H15VXXH023D	D85
FMD06-2	D34, D38, D42, D56	H10119	E33	H12WXBBL49D	D109	H15VXXH0B9D	D85
FMD07-1B	D34, D38, D42, D45, D56	H10121	E32	H12WXBBL53D	D109	H15WXBBL49D	D109
FMD07-2B	D34, D38, D42, D56	H10145	E32, E33	H12WXBBL49D	D109	H15WXBBL53D	D109
FMD08-2	D34, D38, D42, D56	H10147	E32	H12WXBBL53D	D109	H15WXBBL49D	D109
FMD09-2B	D34, D38, D42, D56	H10215	E32	H12WXBG2B9000FD	D108	H15WXBBL53D	D109
FMD10-2	D34, D38, D42, D56	H10217	E33	H12WXBG2B9000FD	D108	H15WXBG2B9000FD	D108
FMD12-2	D34, D38, D42, D56	H10219	E32	H12WXBH2B9000FD	D108	H15WXBG323000FD	D108
FMD13-2B	D34, D42, D56	H11215	E34	H12WXBH323000FD	D108	H15WXBH2B9000FD	D108
H02713	D261	H11216	E34	H12WXXBL49D	D109	H15WXBH323000FD	D108
H02722	D261	H11217	E34	H12WXXBL53D	D109	H15WXXBL49D	D109
H02723	D261	H11333	E33	H12WXXDL49D	D109	H15WXXBL53D	D109
H02789	D261	H11VXBG023D	D85	H12WXXDL53D	D109	H15WXXDL49D	D109
H05028	E30, E31	H11VXBG0B9D	D85	H12WXXG2B9000FD	D108	H15WXXDL53D	D109
H05029	E31	H11VXBH023D	D85	H12WXXG323000FD	D108	H15WXXG2B9000FD	D108
H06326	C107, C108, C111, C112	H11VXBH0B9D	D85	H12WXXH2B9000FD	D108	H15WXXG323000FD	D108
H06332	C107, C108, C111, C112	H11VXXG023D	D85	H12WXXH323000FD	D108	H15WXXH2B9000FD	D108
H06338	C109, C110, C111, C112	H11VXXG0B9D	D85	H13466	E29	H15WXXH323000FD	D108
H06416	E33	H11VXXH023D	D85	H13473	C101	H16VXBG023D	D85
H07229	E30, E31	H11VXXH0B9D	D85	H13499	C111, C112	H16VXBG0B9D	D85
H07230	E30	H11WXBBL49D	D109	H13529	C112	H16VXBH023D	D85
H07254	E34	H11WXBBL53D	D109	H13580	E29	H16VXBH0B9D	D85
H07270	E34	H11WXBBL49D	D109	H13584	E29	H16VXXG023D	D85
H07271	E34	H11WXBBL53D	D109	H13588	E29	H16VXXG0B9D	D85
H08903	E30, E31	H11WXBG2B9000FD	D108	H13648	C107, C108, C111, C112	H16VXXH023D	D85
H09012	E34	H11WXBG323000FD	D108	H13676	C107, C108, C111, C112	H16VXXH0B9D	D85
H09025	E34	H11WXBH2B9000FD	D108	H13728	C107, C108, C109, C110, C111, C112	H16WXBBL49D	D109
H09626	E34, E35	H11WXBH323000FD	D108	H13752	C109, C110, C111, C112	H16WXBBL53D	D109
H09645	E34, E35	H11WXXBL49D	D109	H14213	C101	H16WXBBL49D	D109
H09706	E34, E35	H11WXXBL53D	D109	H14215	C103	H16WXBBL53D	D109
H09815	D259	H11WXXDL49D	D109	H14509	C107	H16WXBBL49D	D109
		H11WXXDL53D	D109	H14510	C107, C111	H16WXXBL49D	D109
		H11WXXG2B9000FD	D108	H14515	E32	H16WXXBL53D	D109
		H11WXXG323000FD	D108	H14520	E32	H16WXXDL49D	D109
		H12VXBG023D	D85	H15VXBG023D	D85	H16WXXDL53D	D109
		H12VXBG0B9D	D85	H15VXBG0B9D	D85	H16WXXG2B9000FD	D108
		H12VXBH023D	D85				

**Part Number Index**  
**Safety Guide**  
**Offer of Sale**  
**Part Number Index, Safety Guide, Offer of Sale**



For inventory, lead times, and kit lookup, visit [www.pdnplu.com](http://www.pdnplu.com)



Model No.	Section / Page No.	Model No.	Section / Page No.	Model No.	Section / Page No.	Model No.	Section / Page No.
H16WXXG323000FD.....	D108	H19102.....	C101	H21WXXCL49D.....	D112	H25WXBCL53D.....	D113
H16WXXH2B9000FD.....	D108	H1EVXBG023D.....	D85	H21WXXCL53D.....	D113	H25WXBG2B9000FD.....	D112
H16WXXH323000FD.....	D108	H1EVXBG0B9D.....	D85	H21WXXG2B9000FD.....	D112	H25WXBG323000FD.....	D112
H17408.....	E30, E31, E32, E33, E34, E35	H1EVXBH023D.....	D85	H21WXXG323000FD.....	D112	H25WXBH2B9000FD.....	D112
H17509.....	D259	H1EVXBH0B9D.....	D85	H21WXXH2B9000FD.....	D112	H25WXBH323000FD.....	D112
H17511.....	D259	H1EVXXG023D.....	D85	H21WXXH323000FD.....	D112	H25WXXBL49D.....	D112
H17512.....	D259	H1EVXXG0B9D.....	D85	H22232.....	E32	H25WXXBL53D.....	D113
H17514.....	E32	H1EVXXH023D.....	D85	H22VXBG023D.....	D88	H25WXXCL49D.....	D112
H17519.....	E32	H1EVXXH0B9D.....	D85	H22VXBG0B9D.....	D88	H25WXXCL53D.....	D113
H17524.....	E32	H1EWXBBL49D.....	D109	H22VXBH023D.....	D88	H25WXXG2B9000FD.....	D112
H17705.....	E30, E31, E32, E33, E34, E35	H1EWXBBL53D.....	D109	H22VXBH0B9D.....	D88	H25WXXG323000FD.....	D112
H17706.....	E30, E31, E32, E33, E34, E35	H1EWXBDL49D.....	D109	H22VXXG023D.....	D88	H25WXXH2B9000FD.....	D112
H17706.....	E30, E31, E32, E33, E34, E35	H1EWXBDL53D.....	D109	H22VXXG0B9D.....	D88	H25WXXH323000FD.....	D112
H17811.....	C107, C108, C111, C112	H1EWXBG2B9000FD.....	D108	H22VXXH023D.....	D88	H26VXBG023D.....	D88
H17813.....	C107, C108, C111, C112	H1EWXBG323000FD.....	D108	H22VXXH0B9D.....	D88	H26VXBG0B9D.....	D88
H17817.....	C109, C110, C111, C112	H1EWXBH2B9000FD.....	D108	H22WXBBL49D.....	D112	H26VXBH023D.....	D88
H17VXBG023D.....	D85	H1EWXBH323000FD.....	D108	H22WXBBL53D.....	D113	H26VXBH0B9D.....	D88
H17VXBG0B9D.....	D85	H1EWXXBL49D.....	D109	H22WXBCL49D.....	D112	H26VXXG023D.....	D88
H17VXBH023D.....	D85	H1EWXXBL53D.....	D109	H22WXBCL53D.....	D113	H26VXXG0B9D.....	D88
H17VXBH0B9D.....	D85	H1EWXXDL49D.....	D109	H22WXBCL53D.....	D113	H26VXXH023D.....	D88
H17VXXG023D.....	D85	H1EWXXDL53D.....	D109	H22WXBG2B9000FD.....	D112	H26VXXH0B9D.....	D88
H17VXXG0B9D.....	D85	H1EWXXG2B9000FD.....	D108	H22WXBH2B9000FD.....	D112	H26WXBBL49D.....	D112
H17VXXH023D.....	D85	H1EWXXG323000FD.....	D108	H22WXBH323000FD.....	D112	H26WXBBL53D.....	D113
H17VXXH0B9D.....	D85	H1EWXXH2B9000FD.....	D108	H22WXXBL49D.....	D112	H26WXBCL49D.....	D112
H17VXXH0B9D.....	D85	H1EWXXH323000FD.....	D108	H22WXXBL53D.....	D113	H26WXBCL53D.....	D113
H17WXBBL49D.....	D109	H21VXBG023D.....	D88	H22WXXCL49D.....	D112	H26WXBCL53D.....	D113
H17WXBBL53D.....	D109	H21VXBG0B9D.....	D88	H22WXXCL53D.....	D113	H26WXBG2B9000FD.....	D112
H17WXBBDL49D.....	D109	H21VXBH023D.....	D88	H22WXXG2B9000FD.....	D112	H26WXBG323000FD.....	D112
H17WXBBDL53D.....	D109	H21VXBH0B9D.....	D88	H22WXXG323000FD.....	D112	H26WXBH2B9000FD.....	D112
H17WXBG2B9000FD.....	D108	H21VXXG023D.....	D88	H22WXXH2B9000FD.....	D112	H26WXBH323000FD.....	D112
H17WXBG323000FD.....	D108	H21VXXG0B9D.....	D88	H22WXXH323000FD.....	D112	H26WXXBL49D.....	D112
H17WXBH2B9000FD.....	D108	H21VXXH023D.....	D88	H24969.....	C101, C102	H26WXXBL53D.....	D113
H17WXBH323000FD.....	D108	H21VXXH0B9D.....	D88	H25VXBG023D.....	D88	H26WXXCL49D.....	D112
H17WXXBL49D.....	D109	H21WXBBL49D.....	D112	H25VXBG0B9D.....	D88	H26WXXCL53D.....	D113
H17WXXBL53D.....	D109	H21WXBBL53D.....	D113	H25VXBH023D.....	D88	H26WXXG2B9000FD.....	D112
H17WXXDL49D.....	D109	H21WXBCL49D.....	D112	H25VXBH0B9D.....	D88	H26WXXG323000FD.....	D112
H17WXXDL53D.....	D109	H21WXBCL53D.....	D113	H25VXXG023D.....	D88	H26WXXH2B9000FD.....	D112
H17WXXG2B9000FD.....	D108	H21WXBCL53D.....	D113	H25VXXG0B9D.....	D88	H26WXXH323000FD.....	D112
H17WXXG323000FD.....	D108	H21WXBG2B9000FD.....	D112	H25VXXH023D.....	D88	H27VXBG023D.....	D88
H17WXXH2B9000FD.....	D108	H21WXBG323000FD.....	D112	H25VXXH0B9D.....	D88	H27VXBG0B9D.....	D88
H17WXXH323000FD.....	D108	H21WXBH2B9000FD.....	D112	H25WXBBL49D.....	D112	H27VXBH023D.....	D88
H17WXXH323000FD.....	D108	H21WXBH323000FD.....	D112	H25WXBBL53D.....	D113	H27VXBH0B9D.....	D88
H17WXXH323000FD.....	D108	H21WXXBL49D.....	D112	H25WXBCL49D.....	D112	H27VXXG023D.....	D88
H17WXXH323000FD.....	D108	H21WXXBL53D.....	D113	H25WXBCL49D.....	D112	H27VXXG0B9D.....	D88

Part Number Index

Safety Guide

Offer of Sale

Part Number Index, Safety Guide, Offer of Sale



For inventory, lead time, and kit lookup, visit [www.pdnplu.com](http://www.pdnplu.com)



Model No.	Section / Page No.	Model No.	Section / Page No.	Model No.	Section / Page No.	Model No.	Section / Page No.
H27VXXH023D.....	D88	H31VXBG0B9D.....	D91	H32WXXG2B9000FD.....	D115	H36WXBH323000FD.....	D115
H27VXXH0B9D.....	D88	H31VXBH023D.....	D91	H32WXXG323000FD.....	D115	H36WXXBL49D.....	D115
H27WXBBL49D.....	D112	H31VXBH0B9D.....	D91	H32WXXH2B9000FD.....	D115	H36WXXBL53D.....	D116
H27WXBBL53D.....	D113	H31VXXG023D.....	D91	H32WXXH323000FD.....	D115	H36WXXCL49D.....	D115
H27WXBCL49D.....	D112	H31VXXG0B9D.....	D91	H35VXBG023D.....	D91	H36WXXCL53D.....	D116
H27WXBCL53D.....	D113	H31VXXH023D.....	D91	H35VXBG0B9D.....	D91	H36WXXG2B9000FD.....	D115
H27WXBG2B9000FD.....	D112	H31VXXH0B9D.....	D91	H35VXBH023D.....	D91	H36WXXG323000FD.....	D115
H27WXBG323000FD.....	D112	H31WXBBL49D.....	D115	H35VXBH0B9D.....	D91	H36WXXH2B9000FD.....	D115
H27WXBH2B9000FD.....	D112	H31WXBBL53D.....	D116	H35VXXG023D.....	D91	H36WXXH323000FD.....	D115
H27WXBH323000FD.....	D112	H31WXBCL49D.....	D115	H35VXXG0B9D.....	D91	H37VXBG023D.....	D91
H27WXXBL49D.....	D112	H31WXBCL53D.....	D116	H35VXXH023D.....	D91	H37VXBG0B9D.....	D91
H27WXXBL53D.....	D113	H31WXBG2B9000FD.....	D115	H35VXXH0B9D.....	D91	H37VXBH023D.....	D91
H27WXXCL49D.....	D112	H31WXBG323000FD.....	D115	H35WXBBL49D.....	D115	H37VXBH0B9D.....	D91
H27WXXCL53D.....	D113	H31WXBH2B9000FD.....	D115	H35WXBBL53D.....	D116	H37VXXG023D.....	D91
H27WXXG2B9000FD.....	D112	H31WXBH323000FD.....	D115	H35WXBCL49D.....	D115	H37VXXG0B9D.....	D91
H27WXXG323000FD.....	D112	H31WXXBL49D.....	D115	H35WXBCL53D.....	D116	H37VXXH023D.....	D91
H27WXXH2B9000FD.....	D112	H31WXXBL53D.....	D116	H35WXBG2B9000FD.....	D115	H37VXXH0B9D.....	D91
H27WXXH323000FD.....	D112	H31WXXCL49D.....	D115	H35WXBG323000FD.....	D115	H37WXBBL49D.....	D115
H2EVXBG023D.....	D88	H31WXXCL53D.....	D116	H35WXBH2B9000FD.....	D115	H37WXBBL53D.....	D116
H2EVXBG0B9D.....	D88	H31WXXG2B9000FD.....	D115	H35WXBH323000FD.....	D115	H37WXBCL49D.....	D115
H2EVXBH023D.....	D88	H31WXXG323000FD.....	D115	H35WXXBL49D.....	D115	H37WXBCL53D.....	D116
H2EVXBH0B9D.....	D88	H31WXXH2B9000FD.....	D115	H35WXXBL53D.....	D116	H37WXBG2B9000FD.....	D115
H2EVXXG023D.....	D88	H31WXXH323000FD.....	D115	H35WXXCL49D.....	D115	H37WXBG323000FD.....	D115
H2EVXXG0B9D.....	D88	H32VXBG023D.....	D91	H35WXXCL53D.....	D116	H37WXBH2B9000FD.....	D115
H2EVXXH023D.....	D88	H32VXBG0B9D.....	D91	H35WXXG2B9000FD.....	D115	H37WXBH323000FD.....	D115
H2EVXXH0B9D.....	D88	H32VXBH023D.....	D91	H35WXXG323000FD.....	D115	H37WXXBL49D.....	D115
H2EWXBBL49D.....	D112	H32VXBH0B9D.....	D91	H35WXXH2B9000FD.....	D115	H37WXXBL53D.....	D116
H2EWXBBL53D.....	D113	H32VXXG023D.....	D91	H35WXXH323000FD.....	D115	H37WXXCL49D.....	D115
H2EWXBCL49D.....	D112	H32VXXG0B9D.....	D91	H36VXBG023D.....	D91	H37WXXCL53D.....	D116
H2EWXBCL53D.....	D113	H32VXXH023D.....	D91	H36VXBG0B9D.....	D91	H37WXXG2B9000FD.....	D115
H2EWXBG2B9000FD.....	D112	H32VXXH0B9D.....	D91	H36VXBH023D.....	D91	H37WXXG323000FD.....	D115
H2EWXBG323000FD.....	D112	H32WXBBL49D.....	D115	H36VXBH0B9D.....	D91	H37WXXH2B9000FD.....	D115
H2EWXBH2B9000FD.....	D112	H32WXBBL53D.....	D116	H36VXXG023D.....	D91	H37WXXH323000FD.....	D115
H2EWXBH323000FD.....	D112	H32WXBCL49D.....	D115	H36VXXG0B9D.....	D91	H37WXXBL49D.....	D115
H2EWXXBL49D.....	D112	H32WXBCL53D.....	D116	H36VXXH023D.....	D91	H37WXXBL53D.....	D116
H2EWXXBL53D.....	D113	H32WXBG2B9000FD.....	D115	H36VXXH0B9D.....	D91	H37WXXCL49D.....	D115
H2EWXXCL49D.....	D112	H32WXBG323000FD.....	D115	H36WXBBL49D.....	D115	H37WXXCL53D.....	D116
H2EWXXCL53D.....	D113	H32WXBH2B9000FD.....	D115	H36WXBBL53D.....	D116	H37WXXG2B9000FD.....	D115
H2EWXXG2B9000FD.....	D112	H32WXBH323000FD.....	D115	H36WXBCL49D.....	D115	H37WXXG323000FD.....	D115
H2EWXXG323000FD.....	D112	H32WXXBL49D.....	D115	H36WXBCL53D.....	D116	H37WXXH2B9000FD.....	D115
H2EWXXH2B9000FD.....	D112	H32WXXBL53D.....	D116	H36WXBG2B9000FD.....	D115	H37WXXH323000FD.....	D115
H2EWXXH323000FD.....	D112	H32WXXCL49D.....	D115	H36WXBG323000FD.....	D115	H37WXXBL49D.....	D115
H31VXBG023D.....	D91	H32WXXCL53D.....	D116	H36WXBH2B9000FD.....	D115	H37WXXBL53D.....	D116

**Part Number Index**  
**Safety Guide**  
**Offer of Sale**  
**Part Number Index, Safety Guide, Offer of Sale**



For inventory, lead times, and kit lookup, visit [www.pdnplu.com](http://www.pdnplu.com)

Model No.	Section / Page No.	Model No.	Section / Page No.	Model No.	Section / Page No.	Model No.	Section / Page No.
H3EWXBCL49D .....	D115	HA5VXLG0G9A .....	D76	HB1VXBG023A .....	D74	HB6VXLH0G9A .....	D74
H3EWXBCL53D .....	D116	HA5VXLH023A .....	D76	HB1VXBG0G9A .....	D74	HB6WXBG2G9000FA .....	D101
H3EWXBG2B9000FD .....	D115	HA5VXLH0G9A .....	D76	HB1VXBH023A .....	D74	HB6WXBH2G9000FA .....	D101
H3EWXBG323000FD .....	D115	HA5WXBG2G9000FA .....	D102	HB1VXBH0G9A .....	D74	HB6WXLG2G9000FA .....	D101
H3EWXBH2B9000FD .....	D115	HA5WXBH2G9000FA .....	D102	HB1VXLG023A .....	D74	HB6WXLH2G9000FA .....	D101
H3EWXBH323000FD .....	D115	HA5WXLG2G9000FA .....	D102	HB1VXLG0G9A .....	D74	HB7VXBG023A .....	D74
H3EWXBL49D .....	D115	HA5WXLH2G9000FA .....	D102	HB1VXLH023A .....	D74	HB7VXBG0G9A .....	D74
H3EWXBL53D .....	D116	HA6VXBG023A .....	D76	HB1VXLH0G9A .....	D74	HB7VXBH023A .....	D74
H3EWXCL49D .....	D115	HA6VXBG0G9A .....	D76	HB1WXBG2G9000FA .....	D101	HB7VXBH0G9A .....	D74
H3EWXCL53D .....	D116	HA6VXBH023A .....	D76	HB1WXBH2G9000FA .....	D101	HB7VXLG023A .....	D74
H3EWXG2B9000FD .....	D115	HA6VXBH0G9A .....	D76	HB1WXLG2G9000FA .....	D101	HB7VXLG0G9A .....	D74
H3EWXG323000FD .....	D115	HA6VXLG023A .....	D76	HB1WXLH2G9000FA .....	D101	HB7VXLH023A .....	D74
H3EWXH2B9000FD .....	D115	HA6VXLG0G9A .....	D76	HB2VXBG023A .....	D74	HB7VXLH0G9A .....	D74
H3EWXH323000FD .....	D115	HA6VXLH023A .....	D76	HB2VXBG0G9A .....	D74	HB7WXBG2G9000FA .....	D101
HA1VXBG023A .....	D76	HA6VXLH0G9A .....	D76	HB2VXBH023A .....	D74	HB7WXBH2G9000FA .....	D101
HA1VXBG0G9A .....	D76	HA6WXBG2G9000FA .....	D102	HB2VXBH0G9A .....	D74	HB7WXLG2G9000FA .....	D101
HA1VXBH023A .....	D76	HA6WXBH2G9000FA .....	D102	HB2VXLG023A .....	D74	HB7WXLH2G9000FA .....	D101
HA1VXBH0G9A .....	D76	HA6WXLG2G9000FA .....	D102	HB2VXLG0G9A .....	D74	HBEVXBG023A .....	D74
HA1VXLG023A .....	D76	HA6WXLH2G9000FA .....	D102	HB2VXLH023A .....	D74	HBEVXBG0G9A .....	D74
HA1VXLG0G9A .....	D76	HA7VXBG023A .....	D76	HB2VXLH0G9A .....	D74	HBEVXBH023A .....	D74
HA1VXLH023A .....	D76	HA7VXBG0G9A .....	D76	HB2WXBG2G9000FA .....	D101	HBEVXBH0G9A .....	D74
HA1VXLH0G9A .....	D76	HA7VXBH023A .....	D76	HB2WXBH2G9000FA .....	D101	HBEVXLG023A .....	D74
HA1WXBG2G9000FA .....	D102	HA7VXBH0G9A .....	D76	HB2WXLG2G9000FA .....	D101	HBEVXLG0G9A .....	D74
HA1WXBH2G9000FA .....	D102	HA7VXLG023A .....	D76	HB2WXLH2G9000FA .....	D101	HBEVXLH023A .....	D74
HA1WXLG2G9000FA .....	D102	HA7VXLG0G9A .....	D76	HB5VXBG023A .....	D74	HBEVXLH0G9A .....	D74
HA1WXLH2G9000FA .....	D102	HA7VXLH023A .....	D76	HB5VXBG0G9A .....	D74	HBEWXBG2G9000FA .....	D101
HA2VXBG023A .....	D76	HA7VXLH0G9A .....	D76	HB5VXBH023A .....	D74	HBEWXBH2G9000FA .....	D101
HA2VXBG0G9A .....	D76	HA7WXBG2G9000FA .....	D102	HB5VXBH0G9A .....	D74	HBEWXLG2G9000FA .....	D101
HA2VXBH023A .....	D76	HA7WXBH2G9000FA .....	D102	HB5VXLG023A .....	D74	HBEWXLH2G9000FA .....	D101
HA2VXBH0G9A .....	D76	HA7WXLG2G9000FA .....	D102	HB5VXLG0G9A .....	D74	HBNVXBG023A .....	D74
HA2VXLG023A .....	D76	HA7WXLH2G9000FA .....	D102	HB5VXLH023A .....	D74	HBNVXBG0G9A .....	D74
HA2VXLG0G9A .....	D76	HAEVXBG023A .....	D76	HB5VXLH0G9A .....	D74	HBNVXBH023A .....	D74
HA2VXLH023A .....	D76	HAEVXBG0G9A .....	D76	HB5WXBG2G9000FA .....	D101	HBNVXBH0G9A .....	D74
HA2VXLH0G9A .....	D76	HAEVXBH023A .....	D76	HB5WXBH2G9000FA .....	D101	HBNWXBG2G9000FA .....	D101
HA2WXBG2G9000FA .....	D102	HAEVXBH0G9A .....	D76	HB5WXLG2G9000FA .....	D101	HBNWXBH2G9000FA .....	D101
HA2WXBH2G9000FA .....	D102	HAEVXLG023A .....	D76	HB5WXLH2G9000FA .....	D101	HBPVXBG023A .....	D74
HA2WXLG2G9000FA .....	D102	HAEVXLG0G9A .....	D76	HB6VXBG023A .....	D74	HBPVXBG0G9A .....	D74
HA2WXLH2G9000FA .....	D102	HAEVXLH023A .....	D76	HB6VXBG0G9A .....	D74	HBPVXBH023A .....	D74
HA5VXBG023A .....	D76	HAEVXLH0G9A .....	D76	HB6VXBH023A .....	D74	HBPVXBH0G9A .....	D74
HA5VXBG0G9A .....	D76	HAEWXBG2G9000FA .....	D102	HB6VXBH0G9A .....	D74	HBPWXBG2G9000FA .....	D101
HA5VXBH023A .....	D76	HAEWXBH2G9000FA .....	D102	HB6VXLG023A .....	D74	HBPWXBH2G9000FA .....	D101
HA5VXBH0G9A .....	D76	HAEWXLG2G9000FA .....	D102	HB6VXLG0G9A .....	D74	HM*VX2049A .....	D13
HA5VXLG023A .....	D76	HAEWXLH2G9000FA .....	D102	HB6VXLH023A .....	D74	HM2VX2049A .....	D4, D13, D15

Part Number Index

Safety Guide

Offer of Sale

Part Number Index, Safety Guide, Offer of Sale



For inventory, lead time, and kit lookup, visit [www.pdnplu.com](http://www.pdnplu.com)

Model No.	Section / Page No.	Model No.	Section / Page No.	Model No.	Section / Page No.	Model No.	Section / Page No.
HM5VX2049A.....D4, D13, D17		K053023 .....	C107, C111	K092046 .....	C109, C110, C111, C112	K21R02037L.....D261, E29	
HMBVX00XXA..... D4, D12		K053025 .....	C107, C111	K103035 .....	C107, C108, C111, C112	K21R02050L.....D261, E29	
HMCVX00XXA..... D4, D12		K053026 .....	C107, C111	K103053 .....	C107, C108, C111, C112	K21R02075L.....D261, E29	
HMDXX1 .....	D34, D38, D42, D56	K053064 .....	C108, C112	K103061 .....	C109, C110, C111, C112	K2352035 .....	D260
HMDXX2 .....	D34, D38, D42, D56	K053065 .....	C108, C112	K112046 .....	C103	K2353035 .....	D260
HMEVX2049A .....	D4, D9, D10, D11, D13, D14	K053067 .....	C108, C112	K123018 .....	C111	K255202549 .....	C102
HMNVX2049A..... D4, D10, D11, D13, D15		K053069 .....	C108, C112	K123021 .....	C111	K272002 .....	C103
HMPVX2049A ...D4, D13, D16		K053070 .....	C108, C112	K123024 .....	C111	K272004 .....	C101
HMQVX2049A...D4, D13, D16		K053075 .....	C107, C111	K123027 .....	C111	K313028 .....	C109, C110, C111, C112
HVN4200-8..... E64		K053076 .....	C107, C111	K123029 .....	C109, C110, C111, C112	K313029 .....	C109, C110, C111, C112
HVN4400-10..... E64		K053077 .....	C107, C111	K1351045 .....	C103	K322004 .....	C103
HVN4400-15..... E64		K053078 .....	C107, C111	K135804553 .....	C103	K322012 .....	D261
HVRK420001 .....	E64	K053111 ....C109, C110, C111		K135904553 .....	C103	K322013 .....	D261
HVRK440001 .....	E64	K053112 ....C109, C110, C111		K142230 ....D248, D249, D272		K323027 .....	C112
JJDX10-A.....D225		K053113 ....C109, C110, C111		K142231 .....	D248, D272	K343002 .....	C101, C102
JJDX15-A.....D225		K053114 ....C109, C110, C111		K142270 .....	D248, D272	K352 366 .....	C102
JJDX20-A.....D225		K053115 ....C109, C110, C111		K152003 ....C101, C102, D261		K352056 .....	C112
JJDX25-A.....D225		K053116 ....C109, C110, C111		K162001 .....	D261	K352073 .....	C111
JJDX30-A.....D225		K053143 .....	C112	K175803553 .....	D260	K352074 .....	C111
JJDX35 .....	D225	K053144 .....	C112	K175903553 .....	D260	K352075 .....	C111
K012003 .....	C109, C110	K053145 .....	C112	K183108 .....	C101	K352076 .....	C107, C108
K013001 .....	C103	K053146 .....	C112	K183047 .....	C101	K352077 .....	C107, C108
K022090 .....	D248	K053147 .....	C112	K183049 .....	C107, C108, C111, C112	K352078 .....	C109
K022091 .....	D248	K053157 .....	C108, C112	K183057 .....	C107, C108, C111, C112	K352080 .....	C110
K022095 .....	D249, D251	K053159 .....	C112	K183058 .....	C109, C110, C111, C112	K352083 .....	C112
K022101 .....	D248	K053218 .....	C107, C111	K183077 .....	D259	K352124 .....	D261
K0251035 .....	D260	K053219 .....	C108, C112	K183082 .....	D259	K352125 .....	D261
K0252035 .....	D260	K053220 .....	C107, C111	K183083 .....	D259	K352126 .....	D261
K0253035 .....	D260	K053221 .....	C108, C112	K183084 .....	D259	K352127 .....	D261
K032270 .....	D259	K06020003 .....	D261	K183088 .....	D259	K352128 .....	D261
K043011 .....	D259	K062005 .....	C103	K185802553 .....	D260	K352129 .....	D261
K043012 .....	D259	K0653035 .....	D260	K185902553 .....	D260	K352130 .....	D261
K0451025 .....	C102	K0655035 .....	D260	K202001 .....	C107, C108, C111, C112	K352131 .....	D261
K0452025 .....	D260	K0656035 .....	D260	K202002 .....	C107, C108, C111, C112	K352276 .....	C107, C108
K0453025 .....	D260	K0658035 .....	D260	K212001 .....	C107, C108, C111, C112	K352277 .....	C107, C108
K053010 .....	C112	K0659035 .....	D260	K212002 .....	C107, C108, C111, C112	K352355 .....	D261
K053011 .....	C112	K0853025 .....	D260	K212001 .....	C107, C108, C111, C112	K352359 .....	D261
K053018 .....	C108	K0855025 .....	D260	K212002 .....	C107, C108, C111, C112	K352360 .....	D261
K053019 .....	C108	K0856025 .....	D260	K21R02012L.....D261		K352362 .....	D261
K053022 .....	C107, C111	K0858025 .....	D260	K21R02025L.....D261, E29		K362307 .....	D259
		K0859025 .....	D260			K362308 .....	D259
		K092020 .....	C107, C108, C111, C112			K41RB72009 .....	C102
		K092034 .....	C107, C108, C111, C112				

**Part Number Index**  
**Safety Guide**  
**Offer of Sale**  
**Part Number Index, Safety Guide, Offer of Sale**



For inventory, lead times, and kit lookup, visit [www.pdnplu.com](http://www.pdnplu.com)

Model No.	Section / Page No.	Model No.	Section / Page No.	Model No.	Section / Page No.	Model No.	Section / Page No.
K41RB72011 .....	C102	K593041 ...C101, C102, C104		L66481221 .....	D249	L6858810253.....	D251
K41RB72121 .....	C107, C108, C111, C112	K593060 .....	D260	L66481231.....	D249	L6858910249.....	D251
K41RB72143 .....	C109, C110, C111, C112	K593071 .....	D260	L6653821149.....	D248	L6858910253.....	D251
K41RB72210 .....	C108	K593081 .....	D260	L6653821153.....	D248	L69441211.....	D250
K41RB72211 .....	C108	K593094 .....	C104	L6653822149.....	D248	L69441221.....	D250
K41RB72221 .....	C107, C108, C111, C112	K593097 .....	C104	L6653822153.....	D248	L69441231.....	D250
K423002 .....	C102	K593098 .....	C104	L6653823149.....	D248	L69481211.....	D251
K423010 .....	C101	K593108 .....	C103, C104	L6653823153.....	D248	L69481221.....	D251
K423022 .....	C103	K593111 .....	C104	L6653921149.....	D248	L69481231.....	D251
K4520N14060.....	D258	K593112 .....	C103	L6653921153.....	D248	L6954821149.....	D250
K4520N14160.....	D258	K593125 .....	D260	L6653922149.....	D248	L6954821153.....	D250
K4520N14300.....	D258	K593185 .....	C104	L6653922153.....	D248	L6954822149.....	D250
K472001C.....	D259	K593254 .....	C104	L6653923149.....	D248	L6954822153.....	D250
K472002C.....	D259	K593271 .....	C104	L6653923153.....	D248	L6954823149.....	D250
K472003C.....	D259	K593274 .....	D260	L6658821149.....	D249	L6954823153.....	D250
K472009C.....	D259	L55402308C .....	D255	L6658821153.....	D249	L6954921149.....	D250
K473011 .....	C103	L55403308C .....	D255	L6658822149.....	D249	L6954921153.....	D250
K473014 .....	C107, C108, C111, C112	L55405305C .....	D257	L6658822153.....	D249	L6954922149.....	D250
K473015 .....	C107, C108, C111, C112	L55405307C .....	D256	L6658823149.....	D249	L6954922153.....	D250
K473016 .....	C109, C110, C111, C112	L55406307C .....	D256	L6658823153.....	D249	L6954923149.....	D250
K493002 .....	C107, C108, C111, C112	L55407305C .....	D256	L6658921149.....	D249	L6954923153.....	D250
K493009 .....	C107, C108, C111, C112	L55407306C .....	D256	L6658921153.....	D249	L6958821149.....	D251
K493016 .....	C109, C110, C111, C112	L55407314C .....	D256	L6658922149.....	D249	L6958821153.....	D251
K563015 .....	C107	L55408302C .....	D255	L6658922153.....	D249	L6958822149.....	D251
K563016 .....	C108, C112	L55408303C .....	D255	L6658923149.....	D249	L6958822153.....	D251
K563017 .....	C107	L55408311C .....	D255	L6658923153.....	D249	L6958823149.....	D251
K563021 .....	C108, C112	L55411308C .....	D255	L67431102.....	D248	L6958823153.....	D251
K563027 .....	C112	L55414307C .....	D256	L67481102.....	D249	L6958921149.....	D251
K593003 .....	C104	L55414314C .....	D257	L6753810249.....	D248	L6958921153.....	D251
K593007 .....	C104	L65431102.....	D248	L6753810253.....	D248	L6958922149.....	D251
K593010 ....C101, C102, C104		L65481102.....	D249	L6753910249.....	D248	L6958922153.....	D251
K593014 .....	C101, C102, C104, D260	L6553810249.....	D248	L6753910253.....	D248	L6958923149.....	D251
K593025 ....C101, C102, C104		L6553810253.....	D248	L6758810249.....	D249	L6958923153.....	D251
K593025 .....	D260	L6553910249.....	D248	L6758810253.....	D249	L70441102.....	D250
K593035 .....	C101, C102, C104, D260	L6553910253.....	D248	L6758910249.....	D249	L70481102.....	D251
		L6558810249.....	D249	L6758910253.....	D249	L7054810249.....	D250
		L6558810253.....	D249	L68441102.....	D250	L7054810253.....	D250
		L6558910249.....	D249	L68481102.....	D251	L7054910249.....	D250
		L66431211.....	D248	L6854810249.....	D250	L7054910253.....	D250
		L66431221.....	D248	L6854810253.....	D250	L7058810249.....	D251
		L66431231.....	D248	L6854910249.....	D250	L7058810253.....	D251
		L66481211.....	D249	L6854910253.....	D250	L7058910249.....	D251
				L6858810249.....	D251	L7058910253.....	D251

Part Number Index

Safety Guide

Offer of Sale

Part Number Index, Safety Guide, Offer of Sale



For inventory, lead time, and kit lookup, visit [www.pdnplu.com](http://www.pdnplu.com)

Model No.	Section / Page No.	Model No.	Section / Page No.	Model No.	Section / Page No.	Model No.	Section / Page No.
LV2N2BSS	E53	M03321833	E26	M05865451	E25	M06444651	E25
LV2N3B	E53	M03324633	E26	M062*03	E30	M06444659	E25
LV3N3B	E53	M03331833	E26	M062*05	E31	M06461851	E25
LV3N4BSS	E53	M03334633	E26	M062*19	E32	M06461859	E25
LV3N6B	E53	M03341833	E26	M062*26	E32	M06464651	E25
LV4N4BSS	E53	M03344633	E26	M062*30	E33	M06464659	E25
LV4N6B	E53	M053003	E29	M062*33	E33	M06521851	E25
LV6N6B	E53	M053007	E29	M062*40	E30	M06521859	E25
LV6N8BSS	E53	M053019	E29	M062*43	E30	M06524651	E25
LV6NAB	E53	M053020	E29	M062*48	E31	M06524659	E25
LV8N8BSS	E53	M053030	E29	M062*51	E31	M06531851	E25
LV8NAB	E53	M053033	E29	M062*54	E35	M06531859	E25
LVANAB	E53	M053038	E29	M062*59	E31	M06534651	E25
LVBNCB	E53	M053039	E29	M062*62	E34	M06534659	E25
LVBNCBSS	E53	M05422443	E25	M062*63	E34	M06541851	E25
LVCNCB	E53	M05422448	E25	M062*64	E34	M06541859	E25
LVCNCBSS	E53	M05422488	E26	M062*65	E34	M06544651	E25
M012001	E35	M05425443	E25	M062*74	E34	M06544659	E25
M012002	E35	M05425448	E25	M062*78	E34	M06561851	E25
M012003	E35	M05425488	E26	M062*84	E35	M06561859	E25
M012005	E35	M05432443	E25	M062*85	E35	M06564651	E25
M013005	E32	M05432448	E25	M062*88	E30	M06564659	E25
M013007	E32	M05432488	E26	M062*95	E34	M073006	E35
M013009	E32	M05435443	E25	M062*96	E34	M073009	E30
M013011	E31	M05435448	E25	M062*97	E34	M073016	E31, E32, E34, E35
M013012	E31	M05435488	E26	M062*98	E34	M073017	E35
M013013	E31	M05442443	E25	M062*99	E31	M073022	E30
M013014	E31	M05442448	E25	M06221840	E26	M073026	E31, E32, E34, E35
M013015	E31	M05442488	E26	M06224640	E26	M073028	E35
M013016	E31	M05445443	E25	M06231840	E26	M073033	E30
M013017	E31	M05445448	E25	M06234640	E26	M073037	E31, E32, E34, E35
M01921819	E26	M05445488	E26	M06241840	E26	M073042	E30
M01924619	E26	M05462443	E25	M06244640	E26	M073046	E31, E32, E34, E35
M01931819	E26	M05462448	E25	M06421851	E25	M083003	E34
M01934619	E26	M05465443	E25	M06421859	E25	M083004	E34
M01941819	E26	M05465448	E25	M06424651	E25	M083005	E34
M01944619	E26	M05822451	E25	M06424659	E25	M083008	E34
M01961819	E26	M05825451	E25	M06431851	E25	M08421830	E26
M01964619	E26	M05832451	E25	M06431859	E25	M08424630	E26
M032*18	E29	M05835451	E25	M06434651	E25	M08431830	E26
M032*24	E29	M05842451	E25	M06434659	E25		
M032*46	E29	M05845451	E25	M06441851	E25		
M032*54	E29	M05862451	E25	M06441859	E25		

**Part Number Index**  
**Safety Guide**  
**Offer of Sale**  
**Part Number Index, Safety Guide, Offer of Sale**



For inventory, lead times, and kit lookup, visit [www.pdnplu.com](http://www.pdnplu.com)

Model No.	Section / Page No.	Model No.	Section / Page No.	Model No.	Section / Page No.	Model No.	Section / Page No.
M08434630.....	E26	M08561851.....	E25	M09661843.....	E25	M232001.....	E28
M08441830.....	E26	M08564605.....	E26	M09664605.....	E26	M232002.....	E28
M08444630.....	E26	M08564626.....	E26	M09664643.....	E25	M232003.....	E28
M08521805.....	E26	M08564643.....	E25	M09721848.....	E25	M232004.....	E28
M08521826.....	E26	M08564648.....	E25	M09724648.....	E25	M232005.....	E28
M08521843.....	E25	M08564651.....	E25	M09731848.....	E25	M232006.....	E28
M08521848.....	E25	M09521803.....	E26	M09734648.....	E25	M242001.....	E29
M08521851.....	E25	M09521805.....	E26	M09741848.....	E25	M242002.....	E29
M08521888.....	E26	M09521843.....	E25	M09744648.....	E25	M242003.....	E29
M08524605.....	E26	M09524603.....	E26	M09761848.....	E25	M242004.....	E29
M08524626.....	E26	M09524605.....	E26	M09764648.....	E25	M242006.....	E29
M08524643.....	E25	M09524643.....	E25	M09821848.....	E25	M242007.....	E29
M08524648.....	E25	M09531803.....	E26	M09824648.....	E25	M242008.....	E29
M08524651.....	E25	M09531805.....	E26	M09831848.....	E25	M242009.....	E29
M08524688.....	E26	M09531843.....	E25	M09834648.....	E25	M242011.....	E29
M08531805.....	E26	M09534603.....	E26	M09841848.....	E25	M242012.....	E29
M08531826.....	E26	M09534605.....	E26	M09844648.....	E25	M242013.....	E29
M08531843.....	E25	M09534643.....	E25	M09861848.....	E25	M242014.....	E29
M08531848.....	E25	M09541803.....	E26	M09864648.....	E25	M243008.....	E34
M08531851.....	E25	M09541805.....	E26	M103012.....	E30, E31, E33, E35	M243019.....	E34
M08531888.....	E26	M09541843.....	E25	M103047.....	E30, E31, E33, E35	M243027.....	E34
M08534605.....	E26	M09544603.....	E26	M103066.....	E30, E31, E33, E35	M243028.....	E32
M08534626.....	E26	M09544605.....	E26	M103108.....	E30, E31, E33, E35	M243032.....	E34
M08534643.....	E25	M09544643.....	E25	M103111.....	E34, E35	M243036.....	E32
M08534648.....	E25	M09561803.....	E26	M103112.....	E34, E35	M243043.....	E34
M08534651.....	E25	M09561805.....	E26	M103113.....	E34, E35	M243044.....	E34
M08534688.....	E26	M09561843.....	E25	M103114.....	E34, E35	M243045.....	E34
M08541805.....	E26	M09564603.....	E26	M122001.....	E29	M273002.....	E30
M08541826.....	E26	M09564605.....	E26	M122002.....	E29	M273006.....	E30
M08541843.....	E25	M09564643.....	E25	M122003.....	E29	M273007.....	E30
M08541848.....	E25	M09621805.....	E26	M122004.....	E29	M273022.....	E30
M08541851.....	E25	M09621843.....	E25	M122005.....	E29	M273023.....	E30
M08541888.....	E26	M09624605.....	E26	M122006.....	E29	M273024.....	E30
M08544605.....	E26	M09624643.....	E25	M133003.....	E30, E31	M303005.....	E31
M08544626.....	E26	M09631805.....	E26	M133012.....	E30, E31	M303006.....	E31
M08544643.....	E25	M09631843.....	E25	M133018.....	E30, E31	M303007.....	E31
M08544648.....	E25	M09634605.....	E26	M163005.....	E33	M303008.....	E31
M08544651.....	E25	M09634643.....	E25	M163012.....	E33	M313004.....	E29
M08544688.....	E26	M09641805.....	E26	M193002.....	E33	M313011.....	E29
M08561805.....	E26	M09641843.....	E25	M193005.....	E33	M313013.....	E29
M08561826.....	E26	M09644605.....	E26			M313017.....	E29
M08561843.....	E25	M09644643.....	E25			M323005.....	E30
M08561848.....	E25	M09661805.....	E26			M323006.....	E30

Part Number Index

Safety Guide

Offer of Sale

Part Number Index, Safety Guide, Offer of Sale



For inventory, lead time, and kit lookup, visit [www.pdnplu.com](http://www.pdnplu.com)



Model No.	Section / Page No.	Model No.	Section / Page No.	Model No.	Section / Page No.	Model No.	Section / Page No.
M323007.....	E30	M493007.....	E34	MMDVA2.....	D34, D38, D42, D56	N3555904553.....	C97
M333013.....	E30, E31	M493008.....	E34	MMFS##A05FM5.....	C85	N3556904549.....	C97
M333014.....	E30	M493009.....	E33	MMFS##A12FF1.....	C85	N3556904553.....	C97
M333016.....	E30	M493010.....	E33	MMFS6A00M3.....	C87	N3557904549.....	C97
M343018.....	E32	M493011.....	E34	MMFU##A05F.....	C85	N3557904553.....	C97
M343019.....	E32	M493012.....	E34	MMFU##A12F.....	C85	N36471091.....	C100
M343022.....	E32	M493014.....	E34	MMFU**A**F.....	C85	N36481091.....	C100
M343027.....	E32	M493015.....	E32	N1641001.....	F15	N36491091.....	C100
M343028.....	E32	M493020.....	E32	N1642003.....	F15	N3657904753.....	C99
M343032.....	E33	M493022.....	E33	N1643003.....	F15	N3658904753.....	C99
M343038.....	E33	M493023.....	E33	N220-1900J.....	C89	N3659904753.....	C99
M343039.....	E33	M493024.....	E33	N31431091.....	C100	N37431091.....	C100
M363002.....	E32	M493026.....	E34	N31441091.....	C100	N37441091.....	C100
M373014.....	E29	M493027.....	E34	N31451091.....	C100	N37451091.....	C100
M373020.....	E29	M493037.....	E34	N31461091.....	C100	N37461091.....	C100
M373033.....	E29	M493038.....	E34	N31471091.....	C100	N37471091.....	C100
M373039.....	E29	M523009.....	E34	N3153904549.....	C97	N3753904549.....	C97
M373060.....	E29	M523010.....	E34	N3153904553.....	C97	N3753904553.....	C97
M373064.....	E29	M523011.....	E34	N3154904549.....	C97	N3754904549.....	C97
M373074.....	E29	M553004.....	E30	N3154904553.....	C97	N3754904553.....	C97
M373076.....	E29	M553005.....	E30	N3155904549.....	C97	N3755904549.....	C97
M373102.....	E29	M563002.....	E34, E35	N3155904553.....	C97	N3755904553.....	C97
M373103.....	E29	M563006.....	E34, E35	N3156904549.....	C97	N3756904549.....	C97
M373116.....	E29	M563007.....	E34	N3156904553.....	C97	N3756904553.....	C97
M373118.....	E29	M563008.....	E34	N3156904553.....	C97	N3757904549.....	C97
M373142.....	E29	M563009.....	E34	N3157904549.....	C97	N3757904553.....	C97
M373146.....	E29	M563014.....	E34, E35	N3157904553.....	C97	N38471091.....	C100
M373156.....	E29	M563016.....	E34	N32471091.....	C100	N38481091.....	C100
M383007.....	E32	M573001.....	E33	N32481091.....	C100	N38491091.....	C100
M383011.....	E32	M573003.....	E33	N32491091.....	C100	N3857904753.....	C99
M383018.....	E32	M573004.....	E33	N3257904753.....	C99	N3858904753.....	C99
M383029.....	E32	M573011.....	E33	N3258904753.....	C99	N3859904753.....	C99
M383032.....	E34	MCS10A05PDL.....	C86	N3259904753.....	C99	P01698.....	D258
M383033.....	E34	MFSA05DB.....	C89	N35431091.....	C100	P04062.....	D258
M383034.....	E34	MFSA12DB.....	C89	N35441091.....	C100	P04063.....	D258
M413015.....	E34	MFUA05DB.....	C89	N35451091.....	C100	P0566202.....	D12
M413016.....	E34	MFUA12DB.....	C89	N35461091.....	C100	P0568800.....	D9
M413017.....	E34	MMCS##A05FM5.....	C85	N35471091.....	C100	P2D2W3226C5.....	D61
M423002.....	E33	MMCS##A12FF1.....	C85	N3553904549.....	C97	P2D8V32C5.....	D61
M423004.....	E33	MMCU##A05F.....	C85	N3553904553.....	C97	P2FA22-15.....	C26
M443002.....	E30	MMCU##A12F.....	C85	N3554904549.....	C97	P2FCA442.....	D128, D227
M443003.....	E30	MMDVA1.....	D34, D38, D42, D56	N3554904553.....	C97	P2FCA445.....	D128, D227
M493006.....	E34			N3555904549.....	C97	P2FCA449.....	D128, D227

Part Number Index  
 Safety Guide  
 Offer of Sale  
 Part Number Index,  
 Safety Guide, Offer of Sale



For inventory, lead times, and kit lookup, visit [www.pdnplu.com](http://www.pdnplu.com)

Model No.	Section / Page No.	Model No.	Section / Page No.	Model No.	Section / Page No.	Model No.	Section / Page No.
P2FCA453.....	D128, D227	P2LAX61111 .....	E15	P2LAZ611EENDBB49 .....	C3	P2LBX592EENDDG53 .....	C14
P2FCA457.....	D128, D227	P2LAX61122 .....	E15	P2LAZ611EENDBB53 .....	C3	P2LBX592EENXB549.....	C14
P2FCB449 .....	C6	P2LAX69111 .....	E15	P2LAZ691EENDBB49 .....	C3	P2LBX592EENXB553.....	C14
P2FCB453 .....	C6	P2LAX69122 .....	E15	P2LAZ691EENDBB53 .....	C3	P2LBX592ESHDDDB47 .....	C16
P2FP13N4C .....	C57	P2LAX691EENDD7B9 .....	C15	P2LAZ711EENDBB49 .....	C4	P2LBX592ESHDDDB48.....	C16
P2FP13N4D .....	C57, C59	P2LAX691EENXB549.....	C15	P2LAZ711EENDBB53 .....	C4	P2LBX592ESHDDG47 .....	C16
P2FS13N1AE49 .....	C51	P2LAX691EENXB553.....	C15	P2LAZ791EENDBB49 .....	C4	P2LBX592ESHDDG48 .....	C16
P2LAX311VS.....	E15	P2LAX691PP .....	C19	P2LAZ791EENDBB53 .....	C4	P2LBX592ESNDD7B9.....	C13
P2LAX311W.....	E15	P2LAX81111 .....	E15	P2LAZ811EENDBB49 .....	C4	P2LBX592ESNDDDB49.....	C13
P2LAX391ESHDDDB48.....	C16	P2LAX81122 .....	E15	P2LAZ811EENDBB53 .....	C4	P2LBX592ESNDDDB53.....	C13
P2LAX391ESHDDG48 .....	C16	P2LAX89111 .....	E15	P2LAZ891EENDBB49 .....	C4	P2LBX592ESNDDG49 .....	C13
P2LAX391ESNDD7B9.....	C12	P2LAX89122 .....	E15	P2LAZ891EENDBB53 .....	C4	P2LBX592ESNDDG53 .....	C13
P2LAX391ESNDDDB53.....	C12	P2LAX891EENDD7B9 .....	C15	P2LBX312JJ .....	E16	P2LBX592ESNXB549 .....	C13
P2LAX391ESNDDG53 .....	C12	P2LAX891EENXB549.....	C15	P2LBX312VS .....	E15	P2LBX592ESNXB553 .....	C13
P2LAX391ESNXB549.....	C12	P2LAX891EENXB553.....	C15	P2LBX312VV.....	E15	P2LBX592JJ .....	E16
P2LAX391ESNXB553.....	C12	P2LAXGAXG##NP.....	C21	P2LBX392ESHDDDB47 .....	C16	P2LBX592PP .....	C19
P2LAX391PS .....	C19	P2LAXGAXN##NP.....	C21	P2LBX392ESHDDDB48.....	C16	P2LBX592PS .....	C19
P2LAX391VS.....	E15	P2LAXK20P .....	C21	P2LBX392ESHDDG47 .....	C16	P2LBX592VS .....	E15
P2LAX391W.....	E15	P2LAXK84P .....	C21	P2LBX392ESHDDG48 .....	C16	P2LBX592VV.....	E15
P2LAX511VS.....	E15	P2LAXK87P .....	C21	P2LBX392ESNDD7B9.....	C12	P2LBX592ZS.....	E16
P2LAX511W.....	E15	P2LAXMAXG##NP .....	C21	P2LBX392ESNDDDB49.....	C12	P2LBX592ZZ.....	E16
P2LAX591EEHDDDB47 .....	C17	P2LAXMAXN##NP .....	C21	P2LBX392ESNDDDB53.....	C12	P2LBX61211 .....	E15
P2LAX591EEHDDDB48.....	C17	P2LAXSK1 .....	C31	P2LBX392ESNDDG49 .....	C12	P2LBX61222 .....	E15
P2LAX591EEHDDG48.....	C17	P2LAXSK2 .....	C31	P2LBX392ESNDDG53 .....	C12	P2LBX692PP .....	C19
P2LAX591EENDD7B9.....	C14	P2LAZ311EENDBB49 .....	C3	P2LBX392ESNXB549 .....	C12	P2LBX69211 .....	E15
P2LAX591EENDDDB49.....	C14	P2LAZ311EENDBB53 .....	C3	P2LBX392ESNXB553 .....	C12	P2LBX69222 .....	E15
P2LAX591EENDDDB53.....	C14	P2LAZ311ESNDBB49.....	C3	P2LBX392JJ .....	E16	P2LBX692EEHDDDB47 .....	C17
P2LAX591EENDDG53.....	C14	P2LAZ311ESNDBB53.....	C3	P2LBX392PS .....	C19	P2LBX692EEHDDDB48.....	C17
P2LAX591EENXB549.....	C14	P2LAZ391EENDBB49 .....	C3	P2LBX392VS .....	E15	P2LBX692EEHDDG47 .....	C17
P2LAX591EENXB553.....	C14	P2LAZ391EENDBB53.....	C3	P2LBX392VV.....	E15	P2LBX692EEHDDG48 .....	C17
P2LAX591ESHDDDB47 .....	C16	P2LAZ391ESNDBB49.....	C3	P2LBX512JJ .....	E16	P2LBX692EENDD7B9.....	C15
P2LAX591ESHDDDB48.....	C16	P2LAZ391ESNDBB53.....	C3	P2LBX512VS .....	E15	P2LBX692EENDDDB49.....	C15
P2LAX591ESHDDG48 .....	C16	P2LAZ391PS .....	C5	P2LBX512VV.....	E15	P2LBX692EENDDDB53.....	C15
P2LAX591ESNDD7B9.....	C13	P2LAZ511EENDBB49 .....	C3	P2LBX512ZS.....	E16	P2LBX692EENDDG49 .....	C15
P2LAX591ESNDDDB49.....	C13	P2LAZ511EENDBB53 .....	C3	P2LBX512ZZ.....	E16	P2LBX692EENXB549.....	C15
P2LAX591ESNDDDB53.....	C13	P2LAZ511ESNDBB49.....	C3	P2LBX592EEHDDDB47 .....	C17	P2LBX692EENXB553.....	C15
P2LAX591ESNDDG53 .....	C13	P2LAZ511ESNDBB53.....	C3	P2LBX592EEHDDDB48.....	C17	P2LBX81211 .....	E15
P2LAX591ESNXB549.....	C13	P2LAZ591EENDBB49 .....	C3	P2LBX592EEHDDG47 .....	C17	P2LBX81222 .....	E15
P2LAX591ESNXB553.....	C13	P2LAZ591EENDBB53.....	C3	P2LBX592EEHDDG48 .....	C17	P2LBX89211 .....	E15
P2LAX591PP .....	C19	P2LAZ591ESNDBB49.....	C3	P2LBX592EEHDDG48 .....	C17	P2LBX89222 .....	E15
P2LAX591PS .....	C19	P2LAZ591ESNDBB53.....	C3	P2LBX592EENDD7B9.....	C14	P2LBX892EEHDDDB47 .....	C17
P2LAX591VS.....	E15	P2LAZ591PP .....	C5	P2LBX592EENDDDB49.....	C14	P2LBX892EEHDDDB48.....	C17
P2LAX591W.....	E15	P2LAZ591PS .....	C5	P2LBX592EENDDDB53.....	C14	P2LBX892EEHDDG47 .....	C17
				P2LBX592EENDDG49 .....	C14		

Part Number Index

Safety Guide

Offer of Sale

Part Number Index, Safety Guide, Offer of Sale




For inventory, lead time, and kit lookup, visit [www.pdnplu.com](http://www.pdnplu.com)

Model No.	Section / Page No.	Model No.	Section / Page No.	Model No.	Section / Page No.	Model No.	Section / Page No.
P2LBX892EEHDDG48	.....C17	P2LBZ792EENDBB53	.....C4	P2LCX69311	.....E15	P2LCZ593ESNDBB53	.....C3
P2LBX892EENDD7B9	.....C15	P2LBZ812EENDBB49	.....C4	P2LCX69322	.....E15	P2LCZ593PP	.....C5
P2LBX892EENDDB49	.....C15	P2LBZ812EENDBB53	.....C4	P2LCX693EEHDDB47	.....C17	P2LCZ593PS	.....C5
P2LBX892EENDDB53	.....C15	P2LBZ892EENDBB49	.....C4	P2LCX693EEHDDG47	.....C17	P2LCZ613EENDBB49	.....C3
P2LBX892EENDDG49	.....C15	P2LBZ892EENDBB53	.....C4	P2LCX693EENDD7B9	.....C15	P2LCZ613EENDBB53	.....C3
P2LBX892EENDDG53	.....C15	P2LCX313VS	.....E15	P2LCX693EENDDB49	.....C15	P2LCZ693EENDBB49	.....C3
P2LBX892EENXB549	.....C15	P2LCX313VV	.....E15	P2LCX693EENDDG49	.....C15	P2LCZ693EENDBB53	.....C3
P2LBX892EENXB553	.....C15	P2LCX393ESHDDDB48	.....C16	P2LCX693EENXB549	.....C15	P2LCZ713EENDBB49	.....C4
P2LBX892PP	.....C19	P2LCX393ESHDDG48	.....C16	P2LCX693EENXB553	.....C15	P2LCZ713EENDBB53	.....C4
P2LBXGAXG##NP	.....C21	P2LCX393ESNDD7B9	.....C12	P2LCX693PP	.....C19	P2LCZ793EENDBB49	.....C4
P2LBXGAXN##NP	.....C21	P2LCX393ESNDDB53	.....C12	P2LCX81311	.....E15	P2LCZ793EENDCB53	.....C4
P2LBXK20P	.....C21	P2LCX393ESNDDG53	.....C12	P2LCX81322	.....E15	P2LCZ813EENDBB49	.....C4
P2LBXK84P	.....C21	P2LCX393ESNXB549	.....C12	P2LCX89311	.....E15	P2LCZ813EENDBB53	.....C4
P2LBXK87P	.....C21	P2LCX393ESNXB553	.....C12	P2LCX89322	.....E15	P2LCZ893EENDBB49	.....C4
P2LBXMAXG##NP	.....C21	P2LCX393PS	.....C19	P2LCX893EEHDDB47	.....C17	P2LCZ893EENDBB53	.....C4
P2LBXMAXN##NP	.....C21	P2LCX393VS	.....E15	P2LCX893EEHDDG47	.....C17	P2LDX314VS	.....E15
P2LBXSK1	.....C31	P2LCX393VV	.....E15	P2LCX893EENDD7B9	.....C15	P2LDX314VV	.....E15
P2LBZ312EENDBB49	.....C3	P2LCX513VS	.....E15	P2LCX893EENDDB49	.....C15	P2LDX394ESNDD7B9	.....C12
P2LBZ312EENDBB53	.....C3	P2LCX513VV	.....E15	P2LCX893EENDDG49	.....C15	P2LDX394ESNXB549	.....C12
P2LBZ312ESNDBB49	.....C3	P2LCX593EEHDDB47	.....C17	P2LCX893EENXB549	.....C15	P2LDX394ESNXB553	.....C12
P2LBZ312ESNDBB53	.....C3	P2LCX593EEHDDG48	.....C17	P2LCX893EENXB553	.....C15	P2LDX394PS	.....C19
P2LBZ392EENDBB49	.....C3	P2LCX593EEHDDG48	.....C17	P2LCX893PP	.....C19	P2LDX394VS	.....E15
P2LBZ392EENDBB53	.....C3	P2LCX593EENDD7B9	.....C14	P2LCXDXSK1	.....C31	P2LDX394VV	.....E15
P2LBZ392ESNDBB49	.....C3	P2LCX593EENDDB49	.....C14	P2LCXK20P	.....C21	P2LDX514VS	.....E15
P2LBZ392ESNDBB53	.....C3	P2LCX593EENDDB53	.....C14	P2LCXK87P	.....C21	P2LDX514VV	.....E15
P2LBZ392PS	.....C5	P2LCX593EENDDG53	.....C14	P2LCXMAXG##NP	.....C21	P2LDX594EEHDDB47	.....C17
P2LBZ512EENDBB49	.....C3	P2LCX593EENXB549	.....C14	P2LCXMAXN##NP	.....C21	P2LDX594EEHDDB48	.....C17
P2LBZ512EENDBB53	.....C3	P2LCX593EENXB553	.....C14	P2LCZ313EENDBB49	.....C3	P2LDX594EENDD7B9	.....C14
P2LBZ512ESNDBB49	.....C3	P2LCX593ESHDDB47	.....C16	P2LCZ313EENDBB53	.....C3	P2LDX594EENDDB49	.....C14
P2LBZ512ESNDBB53	.....C3	P2LCX593ESHDDDB48	.....C16	P2LCZ313ESNDBB49	.....C3	P2LDX594EENDDB53	.....C14
P2LBZ592EENDBB49	.....C3	P2LCX593ESHDDG48	.....C16	P2LCZ313ESNDBB53	.....C3	P2LDX594EENXB549	.....C14
P2LBZ592EENDBB53	.....C3	P2LCX593ESNDD7B9	.....C13	P2LCZ393EENDBB49	.....C3	P2LDX594EENXB553	.....C14
P2LBZ592ESNDBB49	.....C3	P2LCX593ESNDDB49	.....C13	P2LCZ393EENDBB53	.....C3	P2LDX594ESHDDB47	.....C16
P2LBZ592ESNDBB53	.....C3	P2LCX593ESNDDB53	.....C13	P2LCZ393ESNDBB49	.....C3	P2LDX594ESHDDB48	.....C16
P2LBZ592PP	.....C5	P2LCX593ESNDDG53	.....C13	P2LCZ393ESNDBB53	.....C3	P2LDX594ESNDD7B9	.....C13
P2LBZ592PS	.....C5	P2LCX593ESNXB549	.....C13	P2LCZ393PS	.....C5	P2LDX594ESNDDB49	.....C13
P2LBZ612EENDBB49	.....C3	P2LCX593ESNXB553	.....C13	P2LCZ513EENDBB49	.....C3	P2LDX594ESNDDB53	.....C13
P2LBZ612EENDBB53	.....C3	P2LCX593PP	.....C19	P2LCZ513EENDBB53	.....C3	P2LDX594ESNXB549	.....C13
P2LBZ692EENDBB49	.....C3	P2LCX593PS	.....C19	P2LCZ513ESNDBB49	.....C3	P2LDX594ESNXB553	.....C13
P2LBZ692EENDBB53	.....C3	P2LCX593VS	.....E15	P2LCZ513ESNDBB53	.....C3	P2LDX594PP	.....C19
P2LBZ712EENDBB49	.....C4	P2LCX593VV	.....E15	P2LCZ593EENDBB49	.....C3	P2LDX594PS	.....C19
P2LBZ712EENDBB53	.....C4	P2LCX61311	.....E15	P2LCZ593EENDBB53	.....C3	P2LDX594VS	.....E15
P2LBZ792EENDBB49	.....C4	P2LCX61322	.....E15	P2LCZ593ESNDBB49	.....C3	P2LDX594VV	.....E15

**Part Number Index**  
**Safety Guide**  
**Offer of Sale**  
**Part Number Index, Safety Guide, Offer of Sale**



For inventory, lead times, and kit lookup, visit [www.pdnplu.com](http://www.pdnplu.com)

Model No.	Section / Page No.	Model No.	Section / Page No.	Model No.	Section / Page No.	Model No.	Section / Page No.
P2LDX61411	E15	P2M1S4ES2CW	D33	P2M1X3ES	D61	P2M2PXST	D56
P2LDX61422	E15	P2M1S4PP	D33	P2M1X4EE	D61	P2M2S3ES2C	D33
P2LDX69411	E15	P2M1S4PS	D33	P2M1X4ES	D61	P2M2S3ES2CW	D33
P2LDX69422	E15	P2M1SCEE2C	D33	P2M1XCEE	D61	P2M2S3PS	D33
P2LDX694EEHDDDB47	C17	P2M1SCEE2CW	D33	P2M1XDEE	D61	P2M2S4EE2C	D33
P2LDX694EEHDDG47	C17	P2M1SCPP	D33	P2M1XEEE	D61	P2M2S4ES2C	D33
P2LDX694EENDD7B9	C15	P2M1SDEE2C	D33	P2M1XJEE	D61	P2M2S4ES2CW	D33
P2LDX694EENDDB49	C15	P2M1SDEE2CW	D33	P2M2BXT0A	D37	P2M2S4PP	D33
P2LDX694EENDDG49	C15	P2M1SDPP	D33	P2M2BXV0A	D43	P2M2S4PS	D33
P2LDX694EENXB549	C15	P2M1SEEE2C	D33	P2M2HBVA1080	D10	P2M2SCEE2C	D33
P2LDX694EENXB553	C15	P2M1SEEE2CW	D33	P2M2HBVA10800	D10, D43, D52, D140	P2M2SCEE2CW	D33
P2LDX694PP	C19	P2M1SGEE2C	D33	P2M2HBVA10808A	D10, D43, D52, D140	P2M2SCPP	D33
P2LDX81411	E15	P2M1SGEE2CW	D33	P2M2HBVA10808B	D10, D43, D52, D140	P2M2SDEE2C	D33
P2LDX81422	E15	P2M1T3ES2C	D37	P2M2HBVA20600	D10, D43, D52, D140	P2M2SDEE2CW	D33
P2LDX89411	E15	P2M1T3ES2CW	D37	P2M2HBVA20608A	D10, D43, D52, D140	P2M2SDPP	D33
P2LDX89422	E15	P2M1T3PS	D37	P2M2HBVA20608B	D10, D43, D52, D140	P2M2SEEE2C	D33
P2LDX894EEHDDDB47	C17	P2M1T4EE2C	D37	P2M2HBVC21600	D10, D43, D49, D139	P2M2SEEE2CW	D33
P2LDX894EEHDDG47	C17	P2M1T4EE2CW	D37	P2M2HBVD21600	D10, D43, D49, D139	P2M2SGEE2C	D33
P2LDX894EENDD7B9	C15	P2M1T4ES2C	D37	P2M2HBVP11600	D139	P2M2SGEE2CW	D33
P2LDX894EENDDDB49	C15	P2M1T4ES2CW	D37	P2M2HBVP21600	D10, D43, D49, D139	P2M2T3ES2C	D37
P2LDX894EENDDG49	C15	P2M1T4PP	D37	P2M2HBVS11600	D10, D43, D49, D139	P2M2T3ES2CW	D37
P2LDX894EENXB549	C15	P2M1T4PS	D37	P2M2HEV0A	D43	P2M2T3PS	D37
P2LDX894EENXB553	C15	P2M1TCEE2C	D37	P2M2HEV0D	D43	P2M2T4EE2C	D37
P2LDX894PP	C19	P2M1TCEE2CW	D37	P2M2HXT01	D37, D43	P2M2T4EE2CW	D37
P2M1K0GL	D56	P2M1TCPP	D37	P2M2HXT0T	D37, D43	P2M2T4ES2C	D37
P2M1K0GN	D56	P2M1TDEE2C	D37	P2M2K0CA	D61	P2M2T4ES2CW	D37
P2M1K0GT	D56	P2M1TDEE2CW	D37	P2M2K0FA	D61	P2M2T4PP	D37
P2M1K0TASD	D38, D42	P2M1TDPP	D37	P2M2K0JA	D61	P2M2T4PS	D37
P2M1PXCA	D57	P2M1TEEE2C	D37	P2M2K0PA	D61	P2M2TCEE2C	D37
P2M1PXFA	D57	P2M1TEEE2CW	D37	P2M2PXCA	D57	P2M2TCEE2CW	D37
P2M1PXSG	D56	P2M1TGEE2C	D37	P2M2PXFA	D57	P2M2TCPP	D37
P2M1PXSL	D56	P2M1TGEE2CW	D37	P2M2PXSG	D56	P2M2TDEE2C	D37
P2M1PXSM	D56	P2M1TJEE2C	D37	P2M2PXSL	D56	P2M2TDEE2CW	D37
P2M1PXSN	D56	P2M1TJEE2CW	D37	P2M2PXSM	D56	P2M2TDPP	D37
P2M1PXSR	D56	P2M1TJPP	D37	P2M2PXSN	D56	P2M2TEEE2C	D37
P2M1PXST	D56	P2M1V3ES2CV	D41	P2M2PXSR	D56	P2M2TGEE2C	D37
P2M1PXVA	D59	P2M1V4EE2CV	D41			P2M2TGEE2CW	D37
P2M1S3ES2C	D33	P2M1V4ES2CV	D41, D45			P2M2V3ES2CV	D41
P2M1S3ES2CW	D33	P2M1VCEE2CV	D41			P2M2V4EE2CV	D41
P2M1S3PS	D33	P2M1VDEE2CV	D41			P2M2V4ES2CV	D41
P2M1S4EE2C	D33	P2M1VEEE2CV	D41			P2M2V4ES2CV00F7	D45
P2M1S4EE2CW	D33	P2M1VGEE2CV	D41			P2M2VCEE2CV	D41
P2M1S4ES2C	D33	P2M1VJEE2CV	D41			P2M2VDEE2CV	D41

Part Number Index

Safety Guide

Offer of Sale

Part Number Index, Safety Guide, Offer of Sale



For inventory, lead time, and kit lookup, visit [www.pdnplu.com](http://www.pdnplu.com)

Model No.	Section / Page No.	Model No.	Section / Page No.	Model No.	Section / Page No.	Model No.	Section / Page No.
P2M2VEEE2CV .....	D41	P8LC221E.....	B6	PL1-1/4-70 .....	D225, D240	PS243079BP .....	C6, C26, C52, D226
P2M2VGEE2CV.....	D41	P8LMH20M*A .....	D47	PL1-1/4-80 .....	D225, D240	PS243083BP .....	C6, C26, C52, D226
P2M2X3ES .....	D61	P8LMH20M2A.....	D42	PL2-3/8-70 .....	D225, D240	PS243087BP .....	C26, C52, D226
P2M2X4EE .....	D61	P8LMH20M5A.....	D42, D47	PL2-3/8-80 .....	D225, D240	PS2430J79BP.....	C6, C26, C52, D226
P2M2X4ES .....	D61	P8LMH20M9A.....	D42, D47	PL2424P .....	E62	PS2430J83BP.....	C6, C26, C52, D226
P2M2XCEE .....	D61	P8LMH25M3A.....	D12, D42, D46, D125, D185	PL2425P .....	E62	PS2501P .....	C59
P2M2XDDEE .....	D61	P8LS08L226C.....	D34, D38	PL25 .....	E62	PS2502P .....	C59
P2M2XEEE.....	D61	P8LS08L526C.....	D34, D38	PL3-1/2-70 .....	D225, D240	PS2503P .....	C59
P2N-VK0P.....	D226	P8LS08L926C.....	D34, D38	PL3-1/2-80 .....	D225, D240	PS2504P .....	C59
P2N-VM500AK.....	D225	P8LS12JACK .....	D10, D42, D52, D140	PL37 .....	E62	PS2520P .....	C50
P2N-VM512MB....	D225, D246	P8LW021C.....	D34, D38	PL50 .....	E62	PS2520P .....	C50
P2N-VM513ES.....	D225, D246	P8LW021C02.....	D34, D38	PLA25 .....	E62	PS2569P .....	C50
P2N-VS512SD .....	D225, D240	P8LW021C04.....	D34, D38	PLA37 .....	E62	PS257101P.....	C59
P2N-WK0P.....	D226	P8LW021C08.....	D34, D38	PLA50 .....	E62	PS257102P.....	C59
P2N-WM513MB... ..	D225, D246	PD1-1/4-70 .....	D225, D240	PLD25 .....	E62	PS2584P .....	C59
P2N-WM514ES....	D225, D246	PD1-1/4-80 .....	D225, D240	PLD37 .....	E62	PS2587P .....	C59
P2N-WS513SD ....	D225, D240	PD2-3/8-70 .....	D225, D240	PLD50 .....	E62	PS2597**P .....	C59
P2N-YK0P.....	D226	PD2-3/8-80 .....	D225, D240	PMDYY1 .....	D38, D42, D56	PS2597GCP.....	C59
P2N-YM514MB....	D225, D246	PD2-3/8-80 .....	D225, D240	PMDYY2 .....	D34, D38, D42, D56	PS2597NBP .....	C59
P2N-YM518ES.....	D225, D246	PEJ01 .....	D241	PPRL15.....	E60, E61	PS2597NCP .....	C59
P2N-YS514SD .....	D225, D240	PEJ01-03-70.....	D212	PPS1-2C3-RHM.....	E56	PS2601P .....	C58
P66829 .....	E62	PEJ01-03-80.....	D212	PPS1-2C3-RWL.....	E56	PS2602P .....	C50
P66837 .....	E62	PEJ02 .....	D241	PS1556 .....	C6	PS2603P .....	C50
P6M-PAB1 .....	D9, D10, D11	PEJ02-02-70.....	D211	PS2028BP .....	C26, C52	PS2604P .....	C50
P6M-PAB1 .....	F12	PEJ02-02-80.....	D211	PS2028BP .....	D128, D227	PS267101P.....	C58
P6M-PAB2 .....	F12	PESC10 .....	B6	PS2028JCP .....	C26, C52	PS267102P.....	C58
P6M-PAB3 .....	D9, D10, D11	PESC2001F .....	B6	PS2028JCP .....	D128, D227	PS2684P .....	C58
P6M-PAB3 .....	F12	PESC2020B .....	B6	PS203279BP .....	C26, C52	PS2801P .....	C57
P6M-PAB4 .....	F12	PESC2220B .....	B6	PS203279BP .....	D128, D227	PS2802P .....	C57
P6M-PAB6 .....	F12	PJL01 .....	D241	PS203283BP .....	C26, C52	PS2803P .....	C57
P6M-PAB8 .....	F12	PJLP01 .....	D241	PS203283BP .....	D128, D227	PS2804P .....	C57
P6M-PAC5 .....	C28, C89	PJLP02 .....	D241	PS2032J79CP .....	C52	PS2804VP .....	C57
P6M-PAC5 .....	E17	PJLP02-201-70....	D211, D212	PS2032J79CP .....	D128, D227	PS2803VP .....	C57
P6M-PAC5 .....	F12	PJLP02-201-80....	D211, D212	PS2032J83CP .....	C52	PS2804VP .....	C57
P8BPA00MA .....	D10, D42, D49, D140, D186	PKG 3M-*-PSG 3M/S90.....	D184	PS2032J83CP .....	D128, D227	PS2815P .....	C50
P8BPA00MB .....	D10, D42, D49, D140, D185	PKG 3M-4/S90 .....	D184	PS2038P .....	E22	PS2817P .....	C50
P8CS0803J.....	D34, D38	PL01 .....	D241	PS2039P .....	E22	PS2818P .....	C50
P8CS1204J.....	D34, D38	PL01-02-70.....	D102, D212	PS2041P .....	E22	PS2819P .....	C50
P8CS1205AA.....	D10, D42, D49, D140	PL01-02-80.....	D102, D212	PS2043P .....	E21	PS2820P .....	C50
P8CS1205AB.....	D10	PL02 .....	D241	PS2429BP .....	C6, C26, C52, D226		
P8L-C2 .....	B6	PL02-01-70.....	D211	PS2429JBP.....	C6, C26, C52, D226		
		PL02-01-80.....	D211				

Part Number Index

Safety Guide

Offer of Sale

Part Number Index, Safety Guide, Offer of Sale



For inventory, lead times, and kit lookup, visit [www.pdnplu.com](http://www.pdnplu.com)



Model No.	Section / Page No.	Model No.	Section / Page No.	Model No.	Section / Page No.	Model No.	Section / Page No.
PS2828619P .....	D128, D227	PS294675BP .....	C26, C52	PS4002CP .....	D129	PS401166ACP .....	D85
PS2834P .....	C50	PS294679BP .....	B10	PS4003CP .....	D129	PS401166CCP .....	D85
PS2855P .....	D226	PS294679BP .....	C26, C52	PS4004CP .....	D129	PS401166JCP .....	D85
PS2866P .....	C50	PS294679BP .....	D227	PS4005DP .....	D129	PS401166MCP .....	D85
PS2867P .....	C50	PS294683BP .....	B10	PS4006DP .....	D129	PS4012P .....	D129
PS2868P .....	C50	PS294683BP .....	C26, C52	PS4007P .....	D129	PS4013P .....	D86, D110, D215
PS2869P .....	C50	PS294683BP .....	D227	PS4011 .....	D134, D245	PS401500CP .....	D123, D226
PS2871P .....	C57	PS294687BP .....	B10	PS401110CCP .....	D91	PS401501CP .....	D123, D226
PS288*P .....	C57, C58	PS294687BP .....	C26, C52	PS401115 .....	D95, D119, D219	PS4020L20DP .....	D86
PS2886P .....	C57	PS2946J75BP .....	B10	PS4011150DP .....	D109, D215	PS4020L21DP .....	D86
PS2887P .....	C57	PS2946J75BP .....	C26, C52	PS4011158FDP .....	D85	PS4020L30DP .....	D86
PS2892P .....	C6	PS2946J79BP .....	B10	PS401115ADP .....	D85	PS4020L31DP .....	D86
PS2893C##P .....	C52	PS2946J79BP .....	C26, C52	PS401115CDP .....	D85	PS4020L40DP .....	D86
PS2893CP .....	C52	PS2946J79BP .....	D227	PS401116 .....	D95, D119, D219	PS4020L41DP .....	D86
PS2893D##P .....	C52	PS2946J83BP .....	B10	PS4011160DP .....	D109, D215	PS4020L60DP .....	D86
PS2893DP .....	C52	PS2946J83BP .....	C26, C52	PS4011168FDP .....	D85	PS4020L61DP .....	D86
PS2896P .....	C57	PS2946J83BP .....	D227	PS401116ADP .....	D85	PS4020M20DP .....	D86
PS2897GBP .....	C57	PS2966P .....	C50	PS401116CDP .....	D85	PS4020M21DP .....	D86
PS2897GCP .....	C57	PS2967P .....	C50	PS401155 .....	D95, D119, D219	PS4020M40DP .....	D86
PS2897NBP .....	C57	PS2968P .....	C50	PS4011550DP .....	D109, D215	PS4020M41DP .....	D86
PS2897NCP .....	C57	PS2969P .....	C50	PS401155ACP .....	D85	PS4020T10DP .....	D86
PS290*CP .....	C56	PS2971CP .....	C56	PS401155CCP .....	D85	PS4020T11DP .....	D86
PS2902CP .....	C56	PS298*P .....	C56	PS401155JCP .....	D85	PS4020T20DP .....	D86
PS2903CP .....	C56	PS2981P .....	C56	PS401155MCP .....	D85	PS4020T21DP .....	D86
PS2904CP .....	C56	PS2982*##P .....	B10, C24, C51, C56, C57, C58, C59	PS401156 .....	D95, D119, D219	PS4024P .....	D130
PS2915P .....	C50	PS2982B49P .....	D227	PS4011560CP .....	D215	PS402501 .....	D220
PS2917P .....	C50	PS2982B53P .....	D227	PS401156ACP .....	D85	PS402601 .....	D220
PS2918P .....	C50	PS2982C49P .....	D227	PS401156CC .....	D85	PS402701 .....	D220
PS2919P .....	C50	PS2982C53P .....	D227	PS401156JCP .....	D85	PS402801 .....	D220
PS2920P .....	C50	PS2986P .....	C56	PS401156MCP .....	D85	PS403000CP .....	D86, D110, D215
PS2921P .....	C50	PS2987P .....	C56	PS401160CP .....	D109	PS403001CP .....	D86, D110, D215
PS2930166P .....	C54	PS299*P .....	C56	PS401165 .....	D95, D119, D219	PS403101 .....	D119
PS2930233P .....	C54	PS2991P .....	C50	PS4011650CP .....	D109, D215	PS4031010CP .....	D109, D215
PS2932BP .....	B10	PS2994P .....	C50	PS4011658FCP .....	D85	PS4031010DP .....	D86
PS2932BP .....	C26, C52	PS2998P .....	C52	PS401165ACP .....	D85	PS4031011DP .....	D86, D109, D215
PS2932BP .....	D227	PS2999**P .....	C56	PS401165CCP .....	D85	PS4032CP .....	D86, D110, D226
PS2932HBP .....	B10	PS299922P .....	C56	PS401165JCP .....	D85	PS4033CP .....	D86, D89, D92, D110, D113, D116, D226
PS2932HBP .....	C26, C52	PS299933P .....	C56	PS401165MCP .....	D85	PS4034CP .....	D86, D110, D226
PS2932JBP .....	B10	PS3202*##P .....	B10	PS401166 .....	D95, D119, D219	PS4035CP .....	D86
PS2932JBP .....	C26, C52	PS3441*##P .....	B10	PS4011660CP .....	D109, D215		
PS2932JBP .....	D227	PS3541*##P .....	B10, C51, C56, C57, C58, C59	PS4011668FCP .....	D85		
PS2934P .....	C50	PS4001CP .....	D129				
PS294675BP .....	B10						

Part Number Index

Safety Guide

Offer of Sale

Part Number Index, Safety Guide, Offer of Sale



For inventory, lead time, and kit lookup, visit [www.pdnplu.com](http://www.pdnplu.com)



Model No.	Section / Page No.	Model No.	Section / Page No.	Model No.	Section / Page No.	Model No.	Section / Page No.
PS4036P .....	D130	PS411118 ...	D95, D119, D219	PS4120M21DP .....	D89	PS421110ACP .....	D91
PS4037 .....	D136, D221	PS4111180CP ....	D113, D216	PS4120M40DP .....	D89	PS4211170CP .....	D217
PS4037166CP ....	D110, D215	PS411118ACP .....	D88	PS4120M41DP .....	D89	PS4211180CP ....	D116, D217
PS4037266CP ....	D110, D215	PS411118CCP .....	D88	PS4120T10DP .....	D89	PS421119 ....	D95, D119, D219
PS4038 .....	D98, D136	PS4111127 .....	D219	PS4120T11DP .....	D89	PS4211190CP .....	D116
PS4038166CP .....	D86	PS4111128 .....	D219	PS4120T20DP .....	D89	PS421119ACP .....	D91
PS4038266CP .....	D86	PS4111157 ...	D95, D119, D219	PS4120T21DP .....	D89	PS421119CCP .....	D91
PS4039P .....	D129	PS41111570CP .....	D113	PS413101 .....	D119	PS421120 .....	D219
PS4040P .....	D130	PS4111157ACP .....	D88	PS4131010DP .....	D89, D113, D216	PS421129 .....	D219
PS404123P .....	D128	PS4111157CC .....	D88	PS4131011DP .....	D89, D113, D216	PS421150 ....	D95, D119, D219
PS404142P .....	D128	PS4111157JCP .....	D88	PS4132CP .....	D89, D113, D226	PS4211500CP .....	D116
PS404145P .....	D128	PS4111157MCP .....	D88	PS4134CP .....	D89, D113, D226	PS421150ACP .....	D91
PS404157P .....	D128	PS4111158 ...	D95, D119, D219	PS4135CP .....	D89	PS421150CCP .....	D91
PS4041B9P .....	D128	PS41111580CP .....	D113	PS4136P .....	D130	PS421150JCP .....	D91
PS4042CP .....	D110, D226	PS4111158ACP .....	D88	PS4137 .....	D136, D221	PS421150MCP .....	D91
PS4045BP .....	D130	PS4111158CC .....	D88	PS4137166CP ....	D113, D216	PS421159 .....	D95, D119
PS4047BP .....	D130	PS4111158JCP .....	D88	PS4137266CP ....	D113, D216	PS4211590CP .....	D116
PS4048BP .....	D130	PS4111158MC .....	D88	PS4138 .....	D98, D136	PS421159ACP .....	D91
PS4050030P .....	D130	PS4111167 ...	D95, D119, D219	PS4138166CP .....	D89	PS421159CCP .....	D91
PS4050060P .....	D130	PS41111670CP ....	D113, D216	PS4138266CP .....	D89	PS421159JCP .....	D91
PS4050125P .....	D130	PS4111167ACP .....	D88	PS4139P .....	D129	PS421159MCP .....	D91
PS4051060BP .....	D130	PS4111167CCP .....	D88	PS4140P .....	D130	PS421160 .....	D95, D119, D219
PS4051160BP .....	C54	PS4111167JCP .....	D88	PS4142CP .....	D113, D226	PS4211600CP ....	D116, D217
PS4051160BP .....	D130	PS4111167MCP .....	D88	PS4145BP .....	D130	PS421160ACP .....	D91
PS4051P .....	D130	PS4111168 ...	D95, D119, D219	PS4147BP .....	D130	PS421160CCP .....	D91
PS4052160BP .....	D130	PS41111680CP ....	D113, D216	PS4148BP .....	D130	PS421160JDP .....	D91
PS4052CP .....	D129, D227	PS4111168ACP .....	D88	PS4150030BP .....	D130	PS421160MCP .....	D91
PS4053060BP .....	D130	PS4111168CCP .....	D88	PS4150060BP .....	D130	PS421169 .....	D95, D119, D219
PS4053160BP .....	D130	PS4111168JCP .....	D88	PS4150125BP .....	D130	PS4211690CP ....	D116, D217
PS4053CP .....	D129, D227	PS4111168MCP .....	D88	PS4187DP .....	D129	PS421169ACP .....	D91
PS4087DP .....	D129	PS41112P .....	D129	PS41D3DP .....	D129	PS421169CCP .....	D91
PS40D3DP .....	D129	PS41113P .....	D89, D113, D216	PS41D5DP .....	D129	PS421169JDP .....	D91
PS4101CP .....	D129	PS411500CP .....	D123, D226	PS4201CP .....	D129	PS421169MCP .....	D91
PS4102CP .....	D129	PS411501CP .....	D123, D226	PS4202CP .....	D129	PS4212P .....	D129
PS4103CP .....	D129	PS4120L20DP .....	D89	PS4203CP .....	D129	PS4213P .....	D92, D116, D217
PS4104CP .....	D129	PS4120L21DP .....	D89	PS4204CP .....	D129	PS421500CP .....	D123, D226
PS4105DP .....	D129	PS4120L30DP .....	D89	PS4205DP .....	D129	PS421501CP .....	D123, D226
PS4106DP .....	D129	PS4120L31DP .....	D89	PS4206DP .....	D129	PS4220L20DP .....	D92
PS4111 .....	D134, D245	PS4120L40DP .....	D89	PS4211 .....	D134, D245	PS4220L21DP .....	D92
PS411117 ...	D95, D119, D219	PS4120L41DP .....	D89	PS421110 ....	D95, D119, D219	PS4220L30DP .....	D92
PS4111170CP ....	D113, D216	PS4120L60DP .....	D89			PS4220L31DP .....	D92
PS411117ACP .....	D88	PS4120L61DP .....	D89			PS4220L40DP .....	D92
PS411117CCP .....	D88	PS4120M20DP .....	D89				

**Part Number Index**  
**Safety Guide**  
**Offer of Sale**  
**Part Number Index, Safety Guide, Offer of Sale**



For inventory, lead times, and kit lookup, visit [www.pdnplu.com](http://www.pdnplu.com)

Model No.	Section / Page No.	Model No.	Section / Page No.	Model No.	Section / Page No.	Model No.	Section / Page No.
PS4220L41DP	D92	PS551124	D104	PS5535P	D77	PS561162JP	D74
PS4220L60DP	D92	PS551153	D104	PS5536P	D130	PS561162MP	D74
PS4220L61DP	D92	PS5511530P	D102, D205	PS5537	D136, D242	PS561162NP	D74
PS4220M20DP	D92	PS551153CP	D76	PS5537155DXP	D205	PS561162PP	D74
PS4220M21DP	D92	PS551153JP	D76	PS5537155P	D102	PS5612P	D129, D214
PS4220M40DP	D92	PS551153MP	D76	PS5537166DXP	D205	PS561600P	D75
PS4220M41DP	D92	PS551153NP	D76	PS5537166P	D102	PS561601P	D75
PS4220T10DP	D92	PS551153PP	D76	PS5537255DXP	D205	PS561700P	D75
PS4220T11DP	D92	PS551154	D104	PS5537255P	D102	PS561701P	D75
PS4220T20DP	D92	PS5511540P	D102, D205	PS5537266DXP	D205	PS561AP	D75, D77, D101, D102, D214
PS4220T21DP	D92	PS551154CP	D76	PS5537266P	D102	PS561BP	D75, D77, D101, D102, D214
PS423101	D119	PS551154JP	D76	PS5538155P	D77	PS561CP	D75, D77, D101, D102, D214
PS4231010DP	D92, D116, D217	PS551154MP	D76	PS5538166P	D77	PS561DP	D75, D77, D101, D102, D214
PS4231011DP	D92, D116, D217	PS551154NP	D76	PS5538255P	D77		
PS4232CP	D92, D116, D226	PS551154PP	D76	PS5538266P	D77		
PS4234CP	D92, D116, D226	PS551163	D104	PS5542P	D102, D214	PS5620L20P	D78
PS4235CP	D92	PS5511630P	D102	PS5587P	D129	PS5620L21P	D78
PS4236P	D130	PS551163CP	D76	PS5601P	D129	PS5620L30P	D78
PS4237	D136, D221	PS551163JP	D76	PS5602P	D129	PS5620L31P	D78
PS4237166CP	D116, D217	PS551163MP	D76	PS5603P	D129	PS5620L40P	D78
PS4237266CP	D116, D217	PS551163NP	D76	PS5604P	D129	PS5620L41P	D78
PS4238	D98, D136	PS551163PP	D76	PS5605P	D129	PS5620L50P	D78
PS4238166CP	D92	PS551164	D104	PS5611	D207, D242	PS5620L51P	D78
PS4238266CP	D92	PS5511640P	D102	PS561151	D104	PS5620L60P	D78
PS4240P	D130	PS551164CP	D76	PS5611510P	D101, D204	PS5620L61P	D78
PS4242CP	D116, D226	PS551164JP	D76	PS561151JP	D74	PS5620M20P	D78
PS4287DP	D129	PS551164MP	D76	PS561151MP	D74	PS5620M21P	D78
PS42D3DP	D129	PS551164NP	D76	PS561151NP	D74	PS5620M40P	D78
PS42D5DP	D129	PS551164PP	D76	PS561151PP	D74	PS5620M41P	D78
PS5501P	D129	PS5512P	D129, D214	PS561152	D104	PS5620T10P	D78
PS5502P	D129	PS551500P	D123, D205, D209	PS5611520P	D101, D204	PS5620T11P	D78
PS5503P	D129	PS551501P	D123, D205, D209	PS561152JP	D74	PS5620T20P	D78
PS5504P	D129	PS551600P	D77	PS561152MP	D74	PS5620T21P	D78
PS5505P	D129	PS551601P	D77	PS561152NP	D74	PS562401*P	D107
PS5511	D207, D242	PS551700P	D77	PS561152PP	D74	PS5624L20P	D78
PS551113	D104	PS551701P	D77	PS561161	D104	PS5624L21P	D78
PS551113CP	D76	PS552600P	D205	PS5611610P	D101	PS5624L30P	D78
PS551114	D104	PS552601P	D205	PS561161JP	D74	PS5624L31P	D78
PS551114CP	D76	PS552700P	D205	PS561161MP	D74	PS5624L40P	D78
PS551123	D104	PS552701P	D205	PS561161NP	D74	PS5624L41P	D78
		PS5531011P	D205	PS561161PP	D74	PS5624L50P	D78
		PS5534P	D77, D214	PS561162	D104	PS5624L51P	D78

Part Number Index

Safety Guide

Offer of Sale

Part Number Index, Safety Guide, Offer of Sale



For inventory, lead time, and kit lookup, visit [www.pdnplu.com](http://www.pdnplu.com)

Model No.	Section / Page No.	Model No.	Section / Page No.	Model No.	Section / Page No.	Model No.	Section / Page No.
PS5624L60P	D78	PS567904	D9, D26	PSM0013	D12, D26	PSMM75AP	D5
PS5624L61P	D78	PS567906	D9, D26	PSM0014	D12	PSMM76AP	D5
PS5624M20P	D78	PS567925	D9, D10, D11, D26	PSM0022	D12	PSMRAX6AP	D9
PS5624M21P	D78	PS568204	D9, D26	PSM0025	D12	PSMT11AP	D5
PS5624M40P	D78	PS568206	D9, D26	PSM002E	D12	PSMT12AP	D5
PS5624M41P	D78	PS568215	D9, D26	PSM002N	D12	PSMT15AP	D5
PS5624P	D130	PS568225	D9, D26	PSM002P	D12	PSMT16AP	D5
PS5624T10P	D78	PS568308	D9, D27	PSM002Q	D12	PSMT21AP	D5
PS5624T11P	D78	PS568310	D9, D27	PSM21JAP	D4, D9, D10, D11	PSMT22AP	D5
PS5624T20P	D78	PS568325	D9, D27	PSM21MAP	D4, D10, D11	PSMT25AP	D5
PS5624T21P	D78	PS568338	D9, D10, D11, D27	PSM22JAP	D4	PSMT26AP	D5
PS562600P	D101, D102, D204	PS5687P	D129	PSM22MAP	D4	PSMXN##NP	B6
PS562601P	D101, D102, D204	PS5706	D12	PSM3BXG##NP	C49	PSPE701-2G	F38
PS562700P	D101, D102, D204	PSBJ708-2G	F38	PSM3BXN##NP	C49	PSPE701-4G	F38
PS562701P	D101, D102, D204	PSBJ708-4G	F38	PSM5BXG##NP	C49	PSPE701-6G	F38
PS5631010P	D78, D101, D102, D204, D205	PSBJ731-0	F38	PSM5BXN##NP	C49	PSPE701-8G	F38
PS5631011P	D78, D101, D102, D204	PSBJ731-2	F38	PSM6BXG##NP	C49	PSPE701-M5	F38
PS5632P	D130	PSBJ731-2G	F38	PSM6BXN##NP	C49	PSPJ731-2	F38
PS5634P	D75, D101, D102, D214	PSBJ731-4	F38	PSM7BXG##NP	C49	PSPJ731-4	F38
PS5635P	D75	PSBJ731-4G	F38	PSM7BXN##NP	C49	PSPJ731-6	F38
PS5636P	D130	PSBJ731-6	F38	PSML21AP	D5	PSSCCNA	D150, D157, D162, D163
PS5637	D136, D242	PSBJ731-6G	F38	PSML22AP	D5	PSSCDM12A	D11, D150, D157, D162, D163
PS5637155DXP	D204	PSBJ731-8	F38	PSML25AP	D5, D9	PSSCDM18PA	D150, D157, D162, D163
PS5637155P	D101	PSBJ731-8G	F38	PSML26AP	D5	PSSCDM18PA	D150, D157, D162, D163
PS5637166DXP	D204	PSBJ731-M5	F38	PSML61AP	D5	PSSCENA	D150, D157, D162, D163
PS5637166P	D101	PSG 3M-*/S90	D184	PSML62AP	D5	PSSCPBA	D150, D157, D162, D163
PS5637255DXP	D204	PSG3BXG##NP	C49	PSML65AP	D5	PSSEXT1	D152, D153
PS5637255P	D101	PSG3BXN##NP	C49	PSML66AP	D5	PSSEXT3	D152
PS5637266DXP	D204	PSG5BXG##NP	C49	PSMM41AP	D5	PSSN16M12	D150
PS5637266P	D101	PSG5BXN##NP	C49	PSMM42AP	D5	PSSN16M12A	D155, D163
PS5638155P	D75	PSG6BXG##NP	C49	PSMM45AP	D5, D10	PSSN16xxx	D162
PS5638166P	D75	PSG6BXN##NP	C49	PSMM46AP	D5	PSSN8M12A	D11, D150, D155, D163
PS5638255P	D75	PSJ3B1G##NP	C50	PSMM51AP	D5	PSSN8M23A	D150, D155, D163
PS5638266P	D75	PSJ3B1N##NP	C50	PSMM52AP	D5	PSSN8M8A	D150, D155, D163
PS5642P	D101, D214	PSM0001	D12	PSMM55AP	D5, D11	PSSN8xxx	D162
PS5651160P	D75, D77, D101, D102, D204, D205	PSM0002	D12	PSMM56AP	D5	PSSNACM12A	D151, D156, D162, D163
PS567900	D26	PSM0003	D12	PSMM61AP	D5	PSSNAVM12A	D151, D156, D162, D163
		PSM0004	D12	PSMM62AP	D5		
		PSM0004	D12	PSMM65AP	D5, D11		
		PSM001*	D26	PSMM66AP	D5		
		PSM0010	D12	PSMM71AP	D5		
		PSM0011	D12	PSMM72AP	D5		
		PSM0012	D12				

**Part Number Index**  
**Safety Guide**  
**Offer of Sale**  
**Part Number Index, Safety Guide, Offer of Sale**



For inventory, lead times, and kit lookup, visit [www.pdnplu.com](http://www.pdnplu.com)

Model No.	Section / Page No.	Model No.	Section / Page No.	Model No.	Section / Page No.	Model No.	Section / Page No.
PSPP8M12A .....	D150, D155, D163	PWBA1469/3469 .....	F21	PXBB3211BD3.....	E69	PXCK22106 .....	E78
PSPP8xxx .....	D162	PWBA1483 .....	F17, F21	PXBB3211BJ5 .....	E69	PXCK22121 .....	E78
PSSSE24 .....	D157	PWBA1489 .....	F17, F21	PXBB3251BA2.....	E69	PXCM111.....	E77
PSSSE24A .....	D152, D153, D154, D158, D159, D162, D163	PWBA1493 .....	F17	PXBB3251BD2.....	E69	PXCM115.....	E77
PSST16D25A.....	D151, D155, D163	PWBA1493/3493 .....	F21	PXBB3251BD3.....	E69	PXCM121.....	E77
PSST16M12A .....	D151, D155, D163	PWBA1822 .....	F17	PXBB3911 .....	E71	PXCM125.....	E77
PSST16M223A .....	D155	PWBA1822/3822 .....	F21	PXBB3912 .....	E71	PXCM521.....	E77
PSST16M23A .....	D151, D163	PWBA1833 .....	F17	PXBB3921 .....	E71	PXCM601A102 .....	E78
PSST16xxx.....	D162	PWBA1833/3833 .....	F21	PXBB3922 .....	E71	PXCM601A103 .....	E78
PSST8M12A .....	D151, D155, D163	PWBA1898 .....	F17	PXB-B4 .....	E76	PXCM601A110 .....	E78
PSST8M23A .....	D151, D155, D163	PWBA1898/3888 .....	F21	PXBB4131B.....	E71	PXCZ11.....	E77
PSST8M8A .....	D151, D155, D163	PWBA1899 .....	F17	PXBB4131BA2.....	E69	PXPA11 .....	E61
PSST8xxx.....	D162	PWBA1899/3899 .....	F21	PXBB4131BA3.....	E69	PXPC111 .....	E61
PSSTACM12A.....	D151, D156, D162, D163	PWBA3412 .....	F17	PXBB4131BA4.....	E69	PXVF111 .....	E73
PSSTAVM12A.....	D151, D156, D162, D163	PWBA3468 .....	F17	PXBB4131BC2 .....	E69	PXVF1211 .....	E73
PSSTERM .....	D151	PWBA3469 .....	F17	PXBB4131BD2.....	E69	PXVF1213 .....	E73
PSSTR4M12A.....	D151, D155, D163	PWBA3493 .....	F17	PXBB4131BT4 .....	E69	PXVF1214 .....	E73
PSSTR4MRA.....	D162	PWBA3822 .....	F17	PXBB4231BA2.....	E69	PXVF1215 .....	E73
PSSV32A .....	D130, D157, D162, D163	PWBA38227 .....	F17, F21	PXBB4231BD2.....	E69	PXVF1216 .....	E73
PSSVEXT1 .....	D11, D152, D154	PWBA3833 .....	F17	PXBB4231BD3.....	E69	PXVF131 .....	E73
PSSVM32A .....	D157, D162, D163	PWBA38337 .....	F17, F21	PXBB4231BJ5 .....	E69	PXVF141 .....	E73
PSXM2186P.....	B6	PWBA3888 .....	F17	PXBB4931 .....	E71	PXVF151 .....	E73
PSXM31010P.....	B6	PWBA38887 .....	F17, F21	PXBB4932 .....	E71	PXVF161 .....	E73
PSXM40900P.....	B6	PWBA3899 .....	F17	PXCJ117 .....	E80	RKC 4.4T* .....	C26
PSXM530CP .....	B6	PWBA38997 .....	F17, F21	PXCJ11701.....	E80	RKC 4.4T*-RSC 4.4T.....	D184
PSXM8100P.....	B6	PWSB1227 .....	F19, F21	PXCJ11705.....	E80	RKC 4.4T-1 .....	D184
PSXM8288P.....	B6	PWSB1337 .....	F19, F21	PXCJ127 .....	E80	RKC 4.5T*/S1587.....	D184
PSXM8310P.....	B6	PWSB1557 .....	F19, F21	PXCJ12701 .....	E80	RKC 4.5T*-RSC 4.5T/S1587 ..	D184
PWBA1412 .....	F17	PWSB1887 .....	F19, F21	PXCJ12705.....	E80	RKM 46-5M/S1587 .....	D184
PWBA1412/3412 .....	F21	PWSB1997 .....	F19, F21	PXCK211 .....	E79	RKM 56-5M/S1587 .....	D184
PWBA1468 .....	F17	PWSM1012.....	F19, F21	PXCK21100 .....	E79	RSC 4.4T- .....	D184
PWBA1468/3468 .....	F21	PWSP111 .....	F19, F21	PXCK2110031 .....	E79	RSC 4.5T*/S1587.....	D184
PWBA1469 .....	F17	PXB-B3.....	E76	PXCK2110041 .....	E79	RSC RKC 5711-xM.....	D186
		PXBB3111B.....	E61, E71	PXCK21101 .....	E78	RSC RKM 5711-xM.....	D186
		PXBB3111BA2.....	E69	PXCK21102 .....	E78	RSM 57-TR2 .....	D186
		PXBB3111BA3.....	E69	PXCK21106 .....	E78	RSM RKC 5711-xM.....	D186
		PXBB3111BA4.....	E69	PXCK21121 .....	E78	RSM RKM 46-x/S1587....	D184
		PXBB3111BC2 .....	E69	PXCK21121 .....	E78	RSM RKM 56-x/S1587....	D184
		PXBB3111BD2.....	E69	PXCK221 .....	E79	RSM RKM 57 WSM 40 PST ....	D186
		PXBB3111BT4 .....	E69	PXCK22100 .....	E79	RSM RKM 5711-xM.....	D186
		PXBB3121B.....	E71	PXCK2210031 .....	E79	RSM-2RKM 40.....	D184
		PXBB3121BT4 .....	E69	PXCK2210041 .....	E79		
		PXBB3211BD2.....	E69	PXCK22101 .....	E78		
				PXCK22102 .....	E78		

Part Number Index

Safety Guide

Offer of Sale

Part Number Index, Safety Guide, Offer of Sale




For inventory, lead time, and kit lookup, visit [www.pdnplu.com](http://www.pdnplu.com)

	Model No.	Section / Page No.	Model No.	Section / Page No.	Model No.	Section / Page No.	Model No.	Section / Page No.
	RSM-2RKM 50.....	D184	XM30NBG49A.....	B3	ZB4BJ4.....	E70	ZBY2326.....	E72
	RSSD RJ45S 443-2M.....	D185	XM30NBG53A.....	B3	ZB4BJ5.....	E70	ZBY2327.....	E72
	RSSD RKSD 443-xM.....	D185	XM30NBH49A.....	B3	ZB4BL2.....	E70	ZBY2328.....	E72
	RSSW RKSW 455-xM.....	D185	XM30NBH53A.....	B3	ZB4BL3.....	E70	ZBY2330.....	E72
	S421159.....	D219	XM3VNB549A.....	B3	ZB4BL4.....	E70	ZBY2334.....	E72
	SCD253W.....	D12, D42, D46, D125, D185	XM3VNB553A.....	B3	ZB4BL5.....	E70	ZBY2367.....	E72
	SCD259D.....	D12, D42, D46, D125, D185	XM3VNBG49A.....	B3	ZB4BP2.....	E70	ZBY2387.....	E72
	SCD259D.....	D12, D42, D46, D125, D185	XM3VNBG53A.....	B3	ZB4BP3.....	E70	ZBY4101.....	E72
	SCD259WE.....	D12, D42, D46, D125, D185	XM40NB549A.....	B3	ZB4BP4.....	E70	ZBZ1602.....	E73
	VL25.....	E62	XM40NB553A.....	B3	ZB4BR.....	E61	ZC2JE01.....	E80
	VL37.....	E62	XM40NBG49A.....	B3	ZB4BR2.....	E70	ZC2JE02.....	E80
	VL50.....	E62	XM40NBG53A.....	B3	ZB4BR3.....	E70	ZC2JE03.....	E80
	VLA25.....	E62	XM40NBH49A.....	B3	ZB4BR4.....	E70	ZC2JE05.....	E80
	VLA37.....	E62	XM40NBH53A.....	B3	ZB4BS844.....	E70	ZC2JE09.....	E80
	VLA50.....	E62	XM4VNB549A.....	B3	ZB4BS944.....	E70	ZC2JE61.....	E80
	VLD25.....	E62	XM4VNB553A.....	B3	ZB4BT2.....	E70	ZC2JE62.....	E80
	VLD37.....	E62	XM4VNBG49A.....	B3	ZB4BZ009.....	E70	ZC2JE63.....	E80
	VLD50.....	E62	XM4VNBG53A.....	B3	ZB5AA2.....	E70	ZC2JE70.....	E80
	W68PLCK-4-2.....	F35	ZB2BY2002.....	E72	ZB5AA3.....	E70	ZC2JY11.....	E80
	W68PLCK-4-4.....	F35	ZB4BA2.....	E70	ZB5AA4.....	E70	ZC2JY13.....	E80
	W68PLCK-5/32-2.....	F35	ZB4BA3.....	E70	ZB5AL2.....	E70	ZC2JY21.....	E80
	W68PLCK-6-4.....	F35	ZB4BA4.....	E70	ZB5AL3.....	E70	ZC2JY31.....	E80
	W68PLCK-6-6.....	F35	ZB4BA5.....	E70	ZB5AL4.....	E70	ZC2JY41.....	E80
	W68PLCKI-4-2.....	F35	ZB4BA6.....	E70	ZB5AZ009.....	E70	ZC2JY61.....	E80
	W68PLCKI-4-4.....	F35	ZB4BC2.....	E70	ZB5AZ905.....	E73	ZC2JY71.....	E80
	W68PLCKI-5/32-2.....	F35	ZB4BC3.....	E70	ZBE101.....	E72	ZC2JY81.....	E80
	W68PLCKI-6-4.....	F35	ZB4BC4.....	E70	ZBE102.....	E72	ZC2JY91.....	E80
	W68PLCKI-6-6.....	F35	ZB4BD2.....	E70	ZBY2002.....	E72	ZCKD02.....	E80
	WKM 46-5M/S1587.....	D184	ZB4BD3.....	E70	ZBY2101.....	E72	ZCKD06.....	E80
	WKM 56-5M/S1587.....	D184	ZB4BD4.....	E70	ZBY2303.....	E72	ZCKD10.....	E80
	WPASV13000-AA-34.....	C80	ZB4BD5.....	E70	ZBY2304.....	E72	ZCKD21.....	E80
	WPASV13000-AA-94.....	C80	ZB4BD7.....	E70	ZBY2305.....	E72	ZCKD23.....	E80
	WPASV15000-AA-42.....	C81	ZB4BD8.....	E70	ZBY2306.....	E72	ZCKG00.....	E80
	WPASV15000-AA-92.....	C81	ZB4BG2.....	E70	ZBY2307.....	E72	ZCKY11.....	E80
	WPASV2000-AA-17.....	C78	ZB4BG3.....	E70	ZBY2308.....	E72	ZCKY13.....	E80
	WPASV2000-AA-97.....	C78	ZB4BG4.....	E70	ZBY2309.....	E72	ZCKY41.....	E80
	WPASV200-AA-M5.....	C77	ZB4BG5.....	E70	ZBY2310.....	E72	ZCKY43.....	E80
	WPASV5000-AA-21.....	C79	ZB4BG7.....	E70	ZBY2311.....	E72	ZCKY51.....	E80
	WPASV5000-AA-91.....	C79	ZB4BH02.....	E70	ZBY2312.....	E72	ZCKY52.....	E80
	XM30NB49A.....	B3	ZB4BH03.....	E70	ZBY2313.....	E72	ZCKY81.....	E80
	XM30NB549A.....	B3	ZB4BH04.....	E70	ZBY2314.....	E72	ZCKY91.....	E80
	XM30NB553A.....	B3	ZB4BJ2.....	E70	ZBY2321.....	E72		
			ZB4BJ3.....	E70	ZBY2323.....	E72		

Part Number Index

Safety Guide

Offer of Sale

Part Number Index, Safety Guide, Offer of Sale



For inventory, lead times, and kit lookup, visit [www.pdnplu.com](http://www.pdnplu.com)



# Safety Guide For Selecting And Using Pneumatic Division Products And Related Accessories

## WARNING:

**FAILURE OR IMPROPER SELECTION OR IMPROPER USE OF PNEUMATIC DIVISION PRODUCTS, ASSEMBLIES OR RELATED ITEMS ("PRODUCTS") CAN CAUSE DEATH, PERSONAL INJURY, AND PROPERTY DAMAGE. POSSIBLE CONSEQUENCES OF FAILURE OR IMPROPER SELECTION OR IMPROPER USE OF THESE PRODUCTS INCLUDE BUT ARE NOT LIMITED TO:**

- Unintended or mistimed cycling or motion of machine members or failure to cycle
- Work pieces or component parts being thrown off at high speeds.
- Failure of a device to function properly for example, failure to clamp or unclamp an associated item or device.
- Explosion
- Suddenly moving or falling objects.
- Release of toxic or otherwise injurious liquids or gasses.

Before selecting or using any of these Products, it is important that you read and follow the instructions below.

## 1. GENERAL INSTRUCTIONS

- 1.1. Scope:** This safety guide is designed to cover general guidelines on the installation, use, and maintenance of Pneumatic Division Valves, FRLs (Filters, Pressure Regulators, and Lubricators), Vacuum products and related accessory components.
- 1.2. Fail-Safe:** Valves, FRLs, Vacuum products and their related components can and do fail without warning for many reasons. Design all systems and equipment in a fail-safe mode, so that failure of associated valves, FRLs or Vacuum products will not endanger persons or property.
- 1.3. Relevant International Standards:** For a good guide to the application of a broad spectrum of pneumatic fluid power devices see: ISO 4414:1998, Pneumatic Fluid Power – General Rules Relating to Systems. See [www.iso.org](http://www.iso.org) for ordering information.
- 1.4. Distribution:** Provide a copy of this safety guide to each person that is responsible for selection, installation, or use of Valves, FRLs or Vacuum products. Do not select, or use Parker valves, FRLs or vacuum products without thoroughly reading and understanding this safety guide as well as the specific Parker publications for the products considered or selected.
- 1.5. User Responsibility:** Due to the wide variety of operating conditions and applications for valves, FRLs, and vacuum products Parker and its distributors do not represent or warrant that any particular valve, FRL or vacuum product is suitable for any specific end use system. This safety guide does not analyze all technical parameters that must be considered in selecting a product. The user, through its own analysis and testing, is solely responsible for:
  - Making the final selection of the appropriate valve, FRL, Vacuum component, or accessory.
  - Assuring that all user's performance, endurance, maintenance, safety, and warning requirements are met and that the application presents no health or safety hazards.
  - Complying with all existing warning labels and / or providing all appropriate health and safety warnings on the equipment on which the valves, FRLs or Vacuum products are used; and,
  - Assuring compliance with all applicable government and industry standards.
- 1.6. Safety Devices:** Safety devices should not be removed, or defeated.
- 1.7. Warning Labels:** Warning labels should not be removed, painted over or otherwise obscured.
- 1.8. Additional Questions:** Call the appropriate Parker technical service department if you have any questions or require any additional information. See the Parker publication for the product being considered or used, or call 1-800-CPARKER, or go to [www.parker.com](http://www.parker.com), for telephone numbers of the appropriate technical service department.

## 2. PRODUCT SELECTION INSTRUCTIONS

- 2.1. Flow Rate:** The flow rate requirements of a system are frequently the primary consideration when designing any pneumatic system. System components need to be able to provide adequate flow and pressure for the desired application.
- 2.2. Pressure Rating:** Never exceed the rated pressure of a product. Consult product labeling, Pneumatic Division catalogs or the instruction sheets supplied for maximum pressure ratings.
- 2.3. Temperature Rating:** Never exceed the temperature rating of a product. Excessive heat can shorten the life expectancy of a product and result in complete product failure.
- 2.4. Environment:** Many environmental conditions can affect the integrity and suitability of a product for a given application. Pneumatic Division products are designed for use in general purpose industrial applications. If these products are to be used in unusual circumstances such as direct sunlight and/or corrosive or caustic environments, such use can shorten the useful life and lead to premature failure of a product.
- 2.5. Lubrication and Compressor Carryover:** Some modern synthetic oils can and will attack nitrile seals. If there is any possibility of synthetic oils or greases migrating into the pneumatic components check for compatibility with the seal materials used. Consult the factory or product literature for materials of construction.
- 2.6. Polycarbonate Bowls and Sight Glasses:** To avoid potential polycarbonate bowl failures:
  - Do not locate polycarbonate bowls or sight glasses in areas where they could be subject to direct sunlight, impact blow, or temperatures outside of the rated range.
  - Do not expose or clean polycarbonate bowls with detergents, chlorinated hydro-carbons, ketones, esters or certain alcohols.
  - Do not use polycarbonate bowls or sight glasses in air systems where compressors are lubricated with fire resistant fluids such as phosphate ester and di-ester lubricants.

Part Number  
Index

Safety  
Guide

Offer of  
Sale

Part Number Index,  
Safety Guide, Offer of Sale



For inventory, lead time, and kit lookup, visit [www.pdnplu.com](http://www.pdnplu.com)

G27

**Parker Hannifin Corporation**  
Pneumatic Division  
Richland, Michigan  
[www.parker.com/pneumatics](http://www.parker.com/pneumatics)



**2.7. Chemical Compatibility:** For more information on plastic component chemical compatibility see Pneumatic Division technical bulletins Tec-3, Tec-4, and Tec-5

- 2.8. Product Rupture:** Product rupture can cause death, serious personal injury, and property damage.
- Do not connect pressure regulators or other Pneumatic Division products to bottled gas cylinders.
  - Do not exceed the maximum primary pressure rating of any pressure regulator or any system component.
  - Consult product labeling or product literature for pressure rating limitations.

### 3. PRODUCT ASSEMBLY AND INSTALLATION INSTRUCTIONS

- 3.1. Component Inspection:** Prior to assembly or installation a careful examination of the valves, FRLs or vacuum products must be performed. All components must be checked for correct style, size, and catalog number. DO NOT use any component that displays any signs of nonconformance.
- 3.2. Installation Instructions:** Parker published Installation Instructions must be followed for installation of Parker valves, FRLs and vacuum components. These instructions are provided with every Parker valve or FRL sold, or by calling 1-800-CPARKER, or at [www.parker.com](http://www.parker.com).
- 3.3. Air Supply:** The air supply or control medium supplied to Valves, FRLs and Vacuum components must be moisture-free if ambient temperature can drop below freezing

### 4. VALVE AND FRL MAINTENANCE AND REPLACEMENT INSTRUCTIONS

**4.1. Maintenance:** Even with proper selection and installation, valve, FRL and vacuum products service life may be significantly reduced without a continuing maintenance program. The severity of the application, risk potential from a component failure, and experience with any known failures in the application or in similar applications should determine the frequency of inspections and the servicing or replacement of Pneumatic Division products so that products are replaced before any failure occurs. A maintenance program must be established and followed by the user and, at minimum, must include instructions 4.2 through 4.9.

**4.2. Installation and Service Instructions:** Before attempting to service or replace any worn or damaged parts consult the appropriate Service Bulletin for the valve or FRL in question for the appropriate practices to service the unit in question. These Service and Installation Instructions are provided with every Parker valve and FRL sold, or are available by calling 1-800-CPARKER, or by accessing the Parker web site at [www.parker.com](http://www.parker.com).

**4.3. Lockout / Tagout Procedures:** Be sure to follow all required lockout and tagout procedures when servicing equipment. For more information see: OSHA Standard – 29 CFR, Part 1910.147, Appendix A, The Control of Hazardous Energy – (Lockout / Tagout)

**4.4. Visual Inspection:** Any of the following conditions requires immediate system shut down and replacement of worn or damaged components:

- Air leakage: Look and listen to see if there are any signs of visual damage to any of the components in the system. Leakage is an indication of worn or damaged components.
- Damaged or degraded components: Look to see if there are any visible signs of wear or component degradation.
- Kinked, crushed, or damaged hoses. Kinked hoses can result in restricted air flow and lead to unpredictable system behavior.
- Any observed improper system or component function: Immediately shut down the system and correct malfunction.
- Excessive dirt build-up: Dirt and clutter can mask potentially hazardous situations.

**Caution: Leak detection solutions should be rinsed off after use.**

**4.5. Routine Maintenance Issues:**

- Remove excessive dirt, grime and clutter from work areas.
- Make sure all required guards and shields are in place.

**4.6. Functional Test:** Before initiating automatic operation, operate the system manually to make sure all required functions operate properly and safely.

**4.7. Service or Replacement Intervals:** It is the user's responsibility to establish appropriate service intervals. Valves, FRLs and vacuum products contain components that age, harden, wear, and otherwise deteriorate over time. Environmental conditions can significantly accelerate this process. Valves, FRLs and vacuum components need to be serviced or replaced on routine intervals. Service intervals need to be established based on:

- Previous performance experiences.
- Government and / or industrial standards.
- When failures could result in unacceptable down time, equipment damage or personal injury risk.

**4.8. Servicing or Replacing of any Worn or Damaged Parts:** To avoid unpredictable system behavior that can cause death, personal injury and property damage:

- Follow all government, state and local safety and servicing practices prior to service including but not limited to all OSHA Lockout Tagout procedures (OSHA Standard – 29 CFR, Part 1910.147, Appendix A, The Control of Hazardous Energy – Lockout / Tagout).
- Disconnect electrical supply (when necessary) before installation, servicing, or conversion.
- Disconnect air supply and depressurize all air lines connected to system and Pneumatic Division products before installation, service, or conversion.
- Installation, servicing, and / or conversion of these products must be performed by knowledgeable personnel who understand how pneumatic products are to be applied.
- After installation, servicing, or conversions air and electrical supplies (when necessary) should be connected and the product tested for proper function and leakage. If audible leakage is present, or if the product does not operate properly, do not put product or system into use.
- Warnings and specifications on the product should not be covered or painted over. If masking is not possible, contact your local representative for replacement labels.

**4.9. Putting Serviced System Back into Operation:** Follow the guidelines above and all relevant Installation and Maintenance Instructions supplied with the valve FRL or vacuum component to insure proper function of the system.



The goods, services or work (referred to as the “Products”) offered by **Parker-Hannifin Corporation**, its subsidiaries, groups, divisions, and authorized distributors (“Seller”) are offered for sale at prices indicated in the offer, or as may be established by Seller. The offer to sell the Products and acceptance of Seller’s offer by any customer (“Buyer”) is contingent upon, and will be governed by all of the terms and conditions contained in this Offer of Sale. Buyer’s order for any Products specified in Buyer’s purchase document or Seller’s offer, proposal or quote (“Quote”) attached to the purchase order, when communicated to Seller verbally, or in writing, shall constitute acceptance of this offer.

- 1. Terms and Conditions.** Seller’s willingness to offer Products for sale or accept an order for Products is subject to the terms and conditions contained in this Offer of Sale or any newer version of the same, published by Seller electronically at [www.parker.com/saleterms/](http://www.parker.com/saleterms/). Seller objects to any contrary or additional terms or conditions of Buyer’s order or any other document or other communication issued by Buyer.
- 2. Price; Payment.** Prices stated on Seller’s Quote are valid for thirty (30) days, except as explicitly otherwise stated therein, and do not include any sales, use, or other taxes or duties unless specifically stated. Seller reserves the right to modify prices to adjust for any raw material price fluctuations. Unless otherwise specified by Seller, all prices are F.C.A. Seller’s facility (INCOTERMS 2010). Payment is subject to credit approval and payment for all purchases is due thirty (30) days from the date of invoice (or such date as may be specified by Seller’s Credit Department). Unpaid invoices beyond the specified payment date incur interest at the rate of 1.5% per month or the maximum allowable rate under applicable law.
- 3. Shipment; Delivery; Title and Risk of Loss.** All delivery dates are approximate. Seller is not responsible for damages resulting from any delay. Regardless of the manner of shipment, delivery occurs and title and risk of loss or damage pass to Buyer, upon placement of the Products with the shipment carrier at Seller’s facility. Unless otherwise stated, Seller may exercise its judgment in choosing the carrier and means of delivery. No deferment of shipment at Buyers’ request beyond the respective dates indicated will be made except on terms that will indemnify, defend and hold Seller harmless against all loss and additional expense. Buyer shall be responsible for any additional shipping charges incurred by Seller due to Buyer’s acts or omissions.
- 4. Warranty.** Seller warrants that the Products sold hereunder shall be free from defects in material or workmanship for a period of twelve (12) months from the date of delivery or 2,000 hours of normal use, whichever occurs first. All prices are based upon the exclusive limited warranty stated above, and upon the following disclaimer: **DISCLAIMER OF WARRANTY: THIS WARRANTY IS THE SOLE AND ENTIRE WARRANTY PERTAINING TO PRODUCTS PROVIDED. SELLER DISCLAIMS ALL OTHER WARRANTIES, EXPRESS AND IMPLIED, INCLUDING DESIGN, MERCHANTABILITY AND FITNESS FOR A PARTICULAR PURPOSE.**
- 5. Claims; Commencement of Actions.** Buyer shall promptly inspect all Products upon receipt. No claims for shortages will be allowed unless reported to the Seller within ten (10) days of delivery. No other claims against Seller will be allowed unless asserted in writing within thirty (30) days after delivery. Buyer shall notify Seller of any alleged breach of warranty within thirty (30) days after the date the defect is or should have been discovered by Buyer. Any claim or action against Seller based upon breach of contract or any other theory, including tort, negligence, or otherwise must be commenced within twelve (12) months from the date of the alleged breach or other alleged event, without regard to the date of discovery.
- 6. LIMITATION OF LIABILITY.** IN THE EVENT OF A BREACH OF WARRANTY, SELLER WILL, AT ITS OPTION, REPAIR OR REPLACE A DEFECTIVE PRODUCT, OR REFUND THE PURCHASE PRICE WITHIN A REASONABLE PERIOD OF TIME. **IN NO EVENT IS SELLER LIABLE FOR ANY SPECIAL, INDIRECT, INCIDENTAL OR CONSEQUENTIAL DAMAGES ARISING OUT OF, OR AS THE RESULT OF, THE SALE, DELIVERY, NON-DELIVERY, SERVICING, USE OR LOSS OF USE OF THE PRODUCTS OR ANY PART THEREOF, OR FOR ANY CHARGES OR EXPENSES OF ANY NATURE INCURRED WITHOUT SELLER’S WRITTEN CONSENT, WHETHER BASED IN CONTRACT, TORT OR OTHER LEGAL THEORY. IN NO EVENT SHALL SELLER’S LIABILITY UNDER ANY CLAIM MADE BY BUYER EXCEED THE PURCHASE PRICE OF THE PRODUCTS.**
- 7. User Responsibility.** The user, through its own analysis and testing, is solely responsible for making the final selection of the system and Product and assuring that all performance, endurance, maintenance, safety and warning requirements of the application are met. The user must analyze all aspects of the application and follow applicable industry standards and Product information. If Seller provides Product or system options based upon data or specifications provided by the user, the user is responsible for determining that such data and specifications are suitable and sufficient for all applications and reasonably foreseeable uses of the Products or systems.
- 8. Loss to Buyer’s Property.** Any designs, tools, patterns, materials, drawings, confidential information or equipment furnished by Buyer or any other items which become Buyer’s property, will be considered obsolete and may be destroyed by Seller after two (2) consecutive years have elapsed without Buyer ordering the items manufactured using such property. Seller shall not be responsible for any loss or damage to such property while it is in Seller’s possession or control.
- 9. Special Tooling.** A tooling change may be imposed for any special tooling, including without limitation, dies, fixtures, molds and patterns, acquired to manufacture Products. Such special tooling shall be and remain Seller’s property notwithstanding payment of any charges by Buyer. In no event will Buyer acquire any interest in apparatus belonging to Seller which is utilized in the manufacture of the Products, even if such apparatus has been specially converted or adapted for such manufacture and notwithstanding any charges paid by Buyer. Unless otherwise agreed, Seller has the right to alter, discard or otherwise dispose of any special tooling or other property in its sole discretion at any time.
- 10. Buyer’s Obligation; Rights of Seller.** To secure payment of all sums due or otherwise, Seller retains a security interest in all Products delivered to Buyer and this agreement is deemed to be a Security Agreement under the Uniform Commercial Code. Buyer authorizes Seller as its attorney to execute and file on Buyer’s behalf all documents Seller deems necessary to perfect its security interest.
- 11. Improper Use and Indemnity.** Buyer shall indemnify, defend, and hold Seller harmless from any losses, claims, liabilities, damages, lawsuits, judgments and costs

- (including attorney fees and defense costs), whether for personal injury, property damage, patent, trademark or copyright infringement or any other claim, brought by or incurred by Buyer, Buyer’s employees, or any other person, arising out of: (a) improper selection, application, design, specification or other misuse of Products purchased by Buyer from Seller; (b) any act or omission, negligent or otherwise, of Buyer; (c) Seller’s use of patterns, plans, drawings, or specifications furnished by Buyer to manufacture Products; or (d) Buyer’s failure to comply with these terms and conditions. Seller shall not indemnify Buyer under any circumstance except as otherwise provided.
- 12. Cancellations and Changes.** Buyer may not cancel or modify or cancel any order for any reason, except with Seller’s written consent and upon terms that will indemnify, defend and hold Seller harmless against all direct, incidental and consequential loss or damage. Seller may change Product features, specifications, designs and availability.
- 13. Limitation on Assignment.** Buyer may not assign its rights or obligations under this agreement without the prior written consent of Seller.
- 14. Force Majeure.** Seller does not assume the risk and is not liable for delay or failure to perform any of Seller’s obligations by reason of events or circumstances beyond its reasonable control (hereinafter “Events of Force Majeure”). Events of Force Majeure shall include without limitation: accidents, strikes or labor disputes, acts of any government or government agency, acts of nature, delays or failures in delivery from carriers or suppliers, shortages of materials, or any other cause beyond Seller’s reasonable control.
- 15. Waiver and Severability.** Failure to enforce any provision of this agreement will not invalidate that provision; nor will any such failure prejudice Seller’s right to enforce that provision in the future. Invalidation of any provision of this agreement by legislation or other rule of law shall not invalidate any other provision herein. The remaining provisions of this agreement will remain in full force and effect.
- 16. Termination.** Seller may terminate this agreement for any reason and at any time by giving Buyer thirty (30) days prior written notice. Seller may immediately terminate this agreement, in writing, if Buyer: (a) breaches any provision of this agreement (b) appoints a trustee, receiver or custodian for all or any part of Buyer’s property (c) files a petition for relief in bankruptcy on its own behalf, or one if filed by a third party (d) makes an assignment for the benefit of creditors; or (e) dissolves its business or liquidates all or a majority of its assets.
- 17. Governing Law.** This agreement and the sale and delivery of all Products are deemed to have taken place in, and shall be governed and construed in accordance with, the laws of the State of Ohio, as applicable to contracts executed and wholly performed therein and without regard to conflicts of laws principles. Buyer irrevocably agrees and consents to the exclusive jurisdiction and venue of the courts of Cuyahoga County, Ohio with respect to any dispute, controversy or claim arising out of or relating to this agreement.
- 18. Indemnity for Infringement of Intellectual Property Rights.** Seller is not liable for infringement of any patents, trademarks, copyrights, trade dress, trade secrets or similar rights except as provided in this Section. Seller will defend and indemnify Buyer against allegations of infringement of U.S. patents, U.S. trademarks, copyrights, trade dress and trade secrets (“Intellectual Property Rights”). Seller will defend at its expense and will pay the cost of any settlement or damages awarded in an action brought against Buyer based on an allegation that a Product sold pursuant to this agreement infringes the Intellectual Property Rights of a third party. Seller’s obligation to defend and indemnify Buyer is contingent on Buyer notifying Seller within ten (10) days after Buyer becomes aware of such allegations of infringement, and Seller having sole control over the defense of any allegations or actions including all negotiations for settlement or compromise. If a Product is subject to a claim that it infringes the Intellectual Property Rights of a third party, Seller may, at its sole expense and option, procure for Buyer the right to continue using the Product, replace or modify the Product so as to make it noninfringing, or offer to accept return of the Product and refund the purchase price less a reasonable allowance for depreciation. Notwithstanding the foregoing, Seller is not liable for claims of infringement based on information provided by Buyer, or directed to Products delivered hereunder for which the designs are specified in whole or part by Buyer, or infringements resulting from the modification, combination or use in a system of any Product sold hereunder. The foregoing provisions of this Section constitute Seller’s sole and exclusive liability and Buyer’s sole and exclusive remedy for infringement of Intellectual Property Rights.
- 19. Entire Agreement.** This agreement contains the entire agreement between the Buyer and Seller and constitutes the final, complete and exclusive expression of the terms of sale. All prior or contemporaneous written or oral agreements or negotiations with respect to the subject matter are herein merged. The terms contained herein may not be modified unless in writing and signed by an authorized representative of Seller.
- 20. Compliance with Laws.** Buyer agrees to comply with all applicable laws, regulations, and industry and professional standards of care, including those of the United Kingdom, the United States of America, and the country or countries in which Buyer may operate, including without limitation the U. K. Bribery Act, the U.S. Foreign Corrupt Practices Act (“FCPA”), the U.S. Anti-Kickback Act (“Anti-Kickback Act”) and the U.S. Food Drug and Cosmetic Act (“FDCA”), each as currently amended, and the rules and regulations promulgated by the U.S. Food and Drug Administration (“FDA”), and agrees to indemnify and hold harmless Seller from the consequences of any violation of such provisions by Buyer, its employees or agents. Buyer acknowledges that it is familiar with the provisions of the U. K. Bribery Act, the FCPA, the FDA, and the Anti-Kickback Act, and certifies that Buyer will adhere to the requirements thereof. In particular, Buyer represents and agrees that Buyer will not make any payment or give anything of value, directly or indirectly to any governmental official, any foreign political party or official thereof, any candidate for foreign political office, or any commercial entity or person, for the purpose of influencing such person to purchase Products or otherwise benefit the business of Seller.



For inventory, lead time, and kit lookup, visit [www.pdnplu.com](http://www.pdnplu.com)

Part Number Index

Safety Guide

Offer of Sale

Part Number Index, Safety Guide, Offer of Sale



Part Number Index
Safety Guide
Offer of Sale
Part Number Index, Safety Guide, Offer of Sale




For inventory, lead times, and kit lookup, visit [www.pdnplu.com](http://www.pdnplu.com)



Parker Hannifin Corporation

**Pneumatic Division**

8676 E. M89

P.O. Box 901

Richland, MI 49083 USA

Tel: 269 629 5000

Fax: 269 629 5385

Applications Engineering

Phone: 877 321 4PDN Option #2

E-mail: [pdnapps@parker.com](mailto:pdnapps@parker.com)

Customer Support

Phone: 877 321 4PDN Option #1

E-mail: [pdncustsvc@parker.com](mailto:pdncustsvc@parker.com)

Web site: [www.parker.com/pneumatics](http://www.parker.com/pneumatics)

